

PREVOST

ENREGISTRÉ - REGISTERED
ISO 9001 & ISO 14001

MAINTENANCE INFORMATION Mi00-20



DATE : September 2000	SECTION : 03 - Fuel
SUBJECT : FUEL PUMP FITTINGS	

Important Notice: This modification is recommended by Prévost Car to increase your vehicle's performance. Note that no reimbursement will be awarded for carrying out this modification.

APPLICATION

Model	VIN
H3-41, H3-45 and H3-45 VIP Model Year : 1998 - UP	From 2PCH33490W1012344 and up.
All XL and XLII series vehicles Model Year : 1998 - UP	From 2PCL33492W1026515 and up.

DESCRIPTION

The fuel line fittings connecting to the electric fuel pump are now installed using a thread sealant to prevent fuel leaks. In case of fuel leak in the field or in case of fuel pump replacement, perform the installation procedure described below.

MATERIAL

Part No.	Description	Qty
680098	Pipe sealant, Loctite Teflon 567	1

Note : Material can be obtained through regular channels.

PROCEDURE

Warning : Park vehicle safely, apply parking brake, stop engine and set battery master switch(es) to the OFF position prior to working on the vehicle.

1. Add Loctite 567 pipe sealant to threads (refer to figure 1);
2. Tighten to 7.5 lbs-ft.

Caution: Overtightening will damage the pump housing.

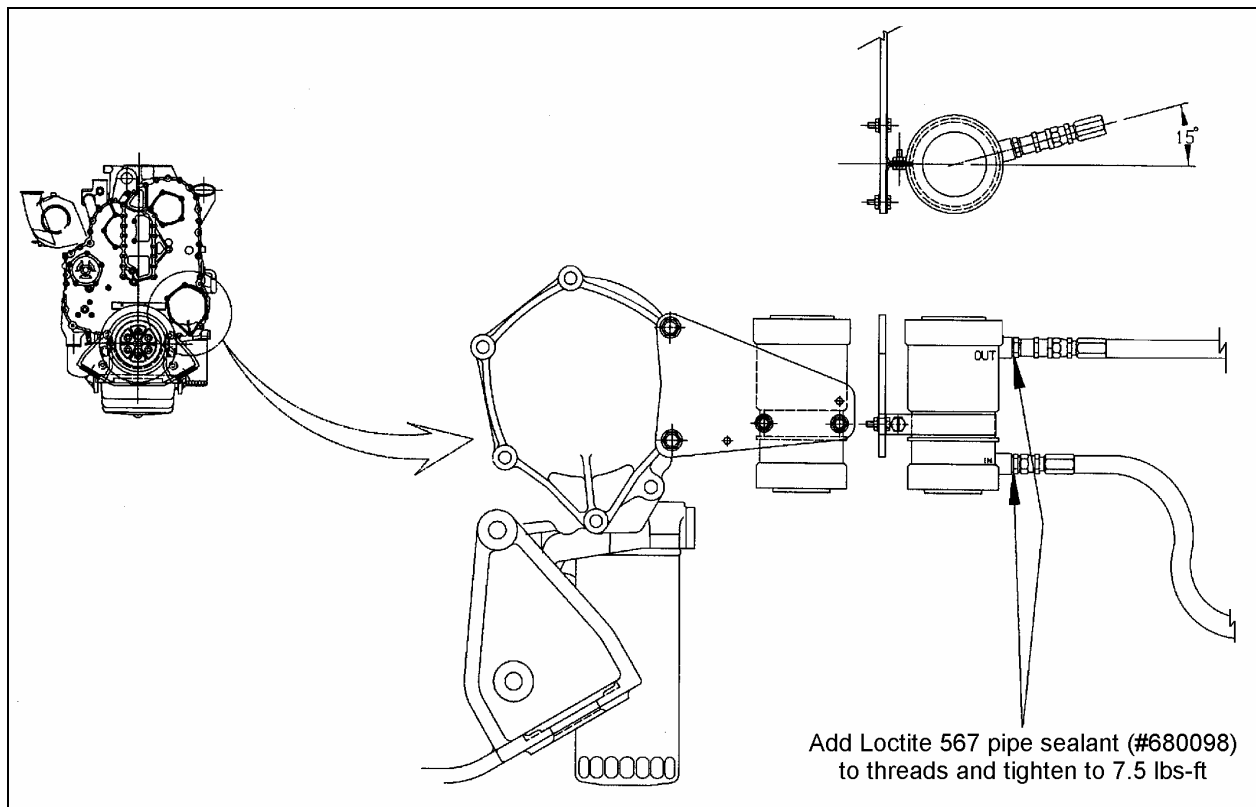


FIGURE 1: LINE INSTALLATION ON FUEL PUMP

03036A

Waste disposal :

Discard according to applicable environmental regulations (Municipal/State[Prov.]/ Federal)