



PREVOST

ENREGISTRÉ - REGISTERED
ISO 9001 & ISO 14001

**MAINTENANCE
INFORMATION**

Mi00-29




PREVOST

DATE : October 2000	SECTION : 18 - Body
SUBJECT : MODIFICATIONS TO THE WIPER DRIVING MECHANISM FOR XLII SERIES VEHICLES	

Important Notice: This modification is recommended by Prévost Car to increase your vehicle's performance. Note that no reimbursement will be awarded for carrying out this modification.

APPLICATION

These modifications will be effective on the assembly line from vehicle :

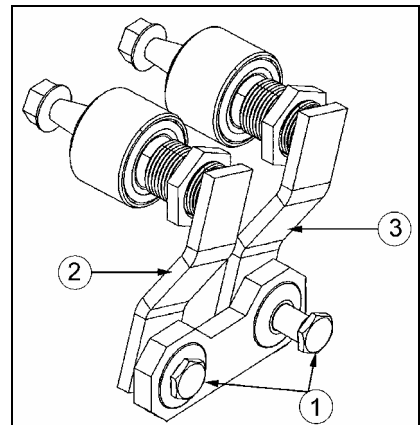
Model	VIN
XLII Coaches & Bus Shells Model Year : 2001	 From 1-7557

DESCRIPTION

In order to improve reliability and to facilitate the assembly, some modifications have been brought to the windshield wipers driving mechanism. The use of bolts enables to replace the snap rings and eliminate the use of Loctite 242. The new parts are adaptable on the former mechanism.

DRIVE MECHANISM – DRIVER'S SIDE

- : #507613 bolt (replace snap ring #504680)
- : #300435 pivot lever replace #300378
- : #300436 pivot lever replace #300345

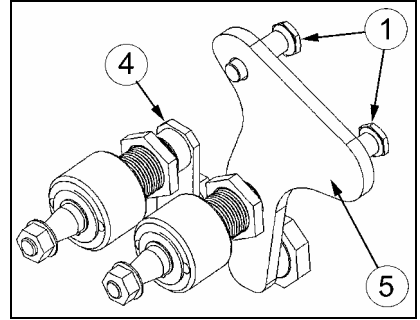


DRIVING MECHANISM – MOTOR SIDE

: #507613 (bolt replace snap ring #504680)

: #300443 pivot lever replace #300412

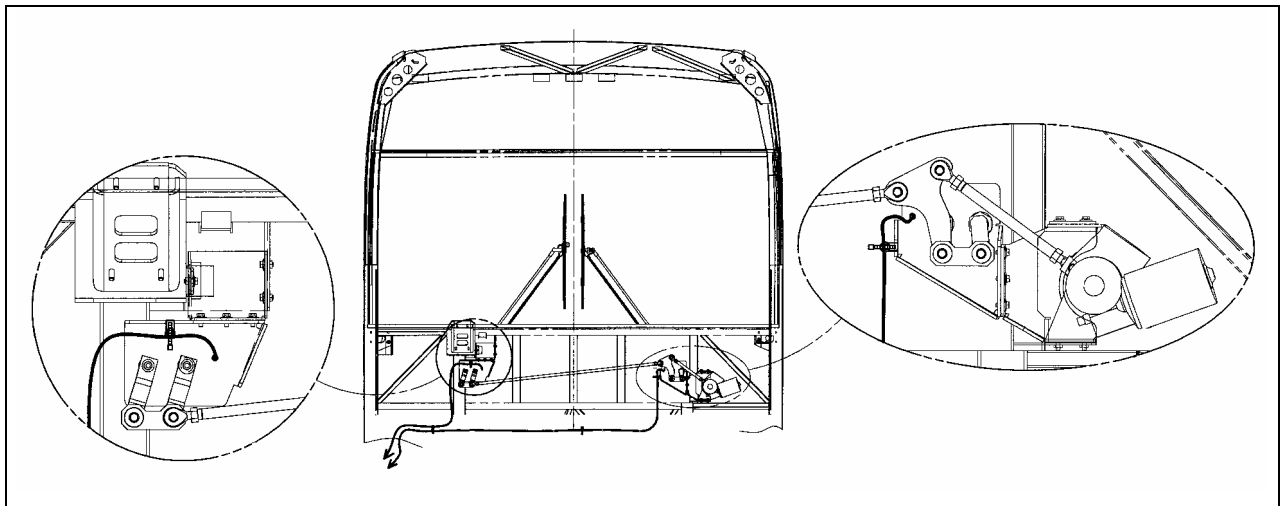
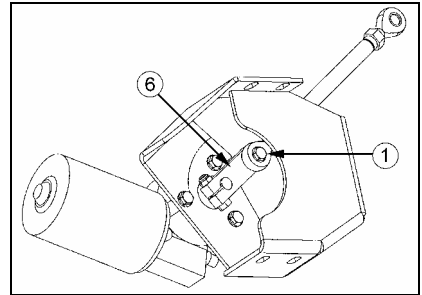
: #300442 replace #300416



WIPER MOTOR

: #507613 bolt (replace snap ring #504680)

: #300445 crank arm replace #300406



WIPER DRIVING MECHANISM