

PREVOST

ENREGISTRÉ - REGISTERED
ISO 9001 & ISO 14001

**MAINTENANCE
INFORMATION**


Mi03-10



DATE : September 2003	SECTION: 18 - Body
SUBJECT : SLIDING WINDOW REPAIR	

Important Notice: This modification is recommended by Prévost Car to increase your vehicle's performance. Note that no reimbursement will be awarded for carrying out this modification.

APPLICATION

Model	VIN
H3-45 VIP equipped with sliding windows Model Year : 2002 - 2004	 <p> 2PCV3349331014345, 2PCV3349131014392, 2PCV3349721014394 and from 2PCV3349231014417 up to now incl. </p>

DESCRIPTION

On the above-mentioned vehicles equipped with sliding windows, the sliding window opening mechanism may jam for various reasons. If this problem should occur, consult the following procedure and perform the necessary repair.

PROCEDURE

Warning: Park vehicle safely, apply parking brake, stop engine and set battery master switch(es) to the OFF position prior to working on the vehicle.

1ST CASE: THE GUIDING PINS ARE SEIZED UP IN PLACE

1. Use some WD-40 and allow working for a while. Try opening the window again.
2. Remove the window from the frame.
3. Unscrew the socket screws (Allen) in order to remove the pins then clean up the pins using a fine grit sand paper or steel wool.
4. Use a spray silicone lubricant to ease functioning.
5. Reinstall the window and check the operation.

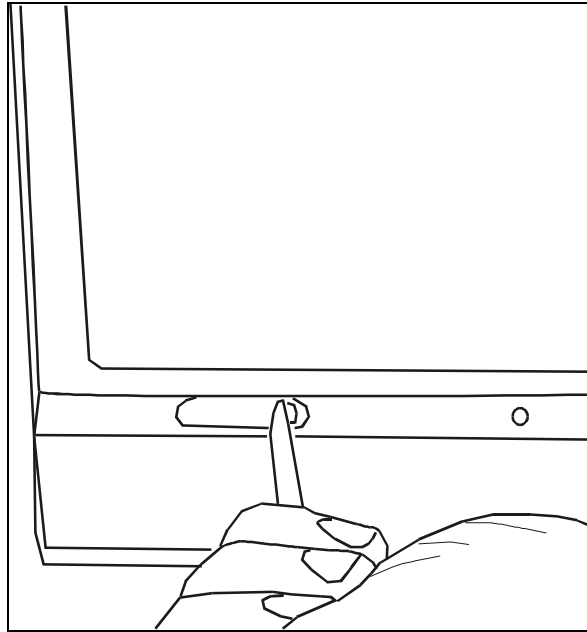


FIGURE 1: LOOSENING OF GUIDING PINS

2ND CASE: RODS ARE JAMMED

1. Remove window from the frame.

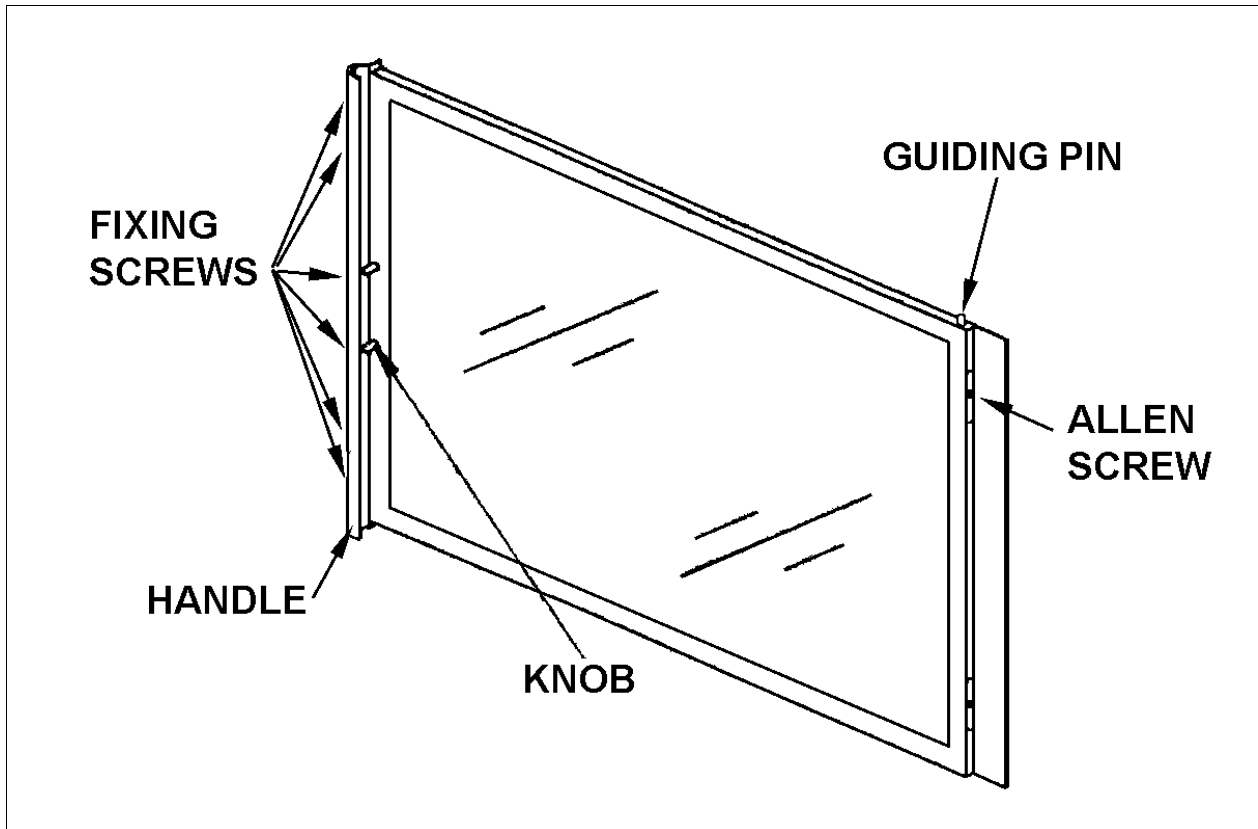


FIGURE 2: VIEW OF WINDOW

2. Remove the 6 small fixing screws that secure the handle.

- Using a pair of vise-grip, unscrew the mechanism 2 knobs.

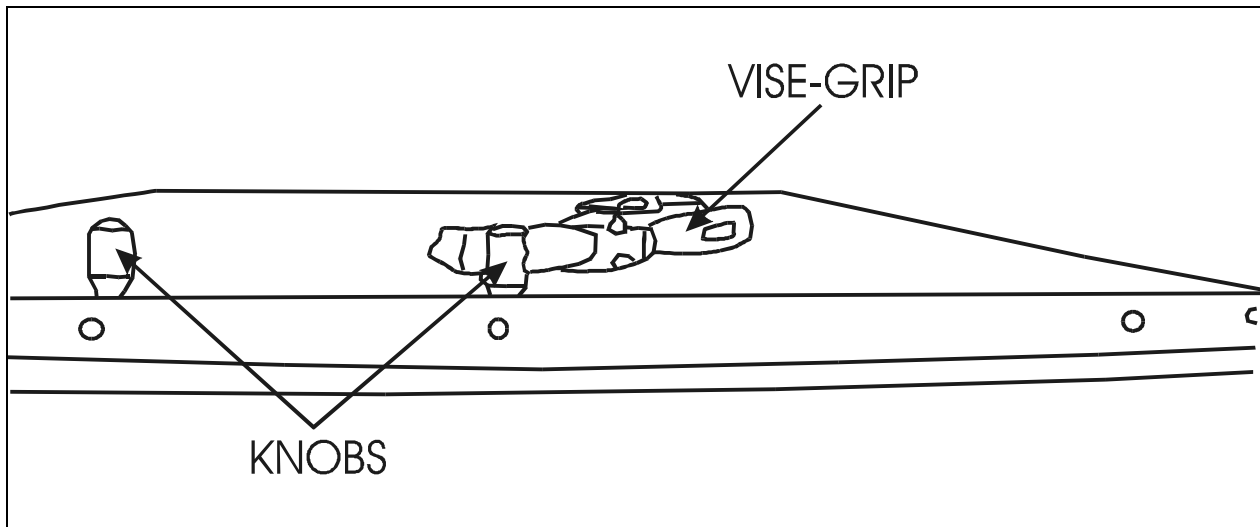


FIGURE 3: REMOVING THE MECHANISM KNOBS

- Take the 2 rods out for inspection. Check to see if the fixing screws are making marks on the rods or if metal chips trapped inside the frame prevent proper operation of the rods.

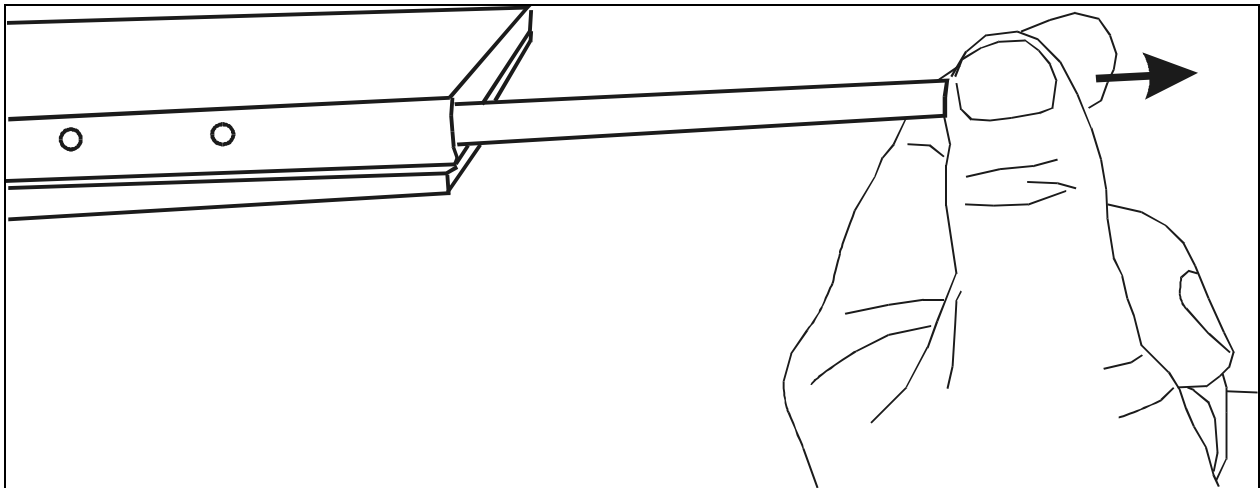


FIGURE 4: REMOVING THE RODS

- If the fixing screws are making marks on the rods, file the rods as well as the screws so as to shorten them.
- Apply some red synthetic grease onto the rods before reinserting them then check for proper operation of mechanism.

Waste disposal:

Discard according to applicable environmental regulations (Municipal/State[Prov.]/ Federal)