



# PREVOST

## MAINTENANCE INFORMATION

Mi97-27



DATE: January 1998	SECTION: 05
SUBJECT: PROTECTION OF IDLER PULLEY BALL BEARING USED WITH FAN BELT TENSIONING	

### APPLICATION:

Model	VIN
All H3 series vehicles equipped with series 60 engine Model Year: 1993 - 1998	From 2P9H33405P1001316 up to 2PCH33497W1012292 incl.
All XL series vehicles equipped with series 60 engine Model Year: 1993 - 1998	From 2P9M33499P1001722 up to 2PCL33494W1026452 incl.

### DESCRIPTION

On the above-mentioned vehicles equipped with **series 60 engine**, life span of idler pulley ball bearing was extended. This pulley is used to apply tension on fan gearbox belt.

### MATERIAL

Part No.	Description	Qty
052208	Pulley assembly	1

**Note:** Material can be obtained through regular channels.

### PROCEDURE

**Warning:** Park vehicle safely, apply parking brake, stop engine and set battery master switch(es) to the OFF position prior to working on the vehicle.

1. Open engine compartment rear door (s).
2. Release pressure from air bellows by means of belt tensioning pressure releasing valve. This valve is mounted in engine compartment; near the auxiliary oil tank on H3 series vehicles and above the engine doors on XL series vehicles (refer to fig. 1).
3. Remove bolt securing belt tensioner idler pulley (refer to fig. 2).
4. Separate pulley from belt tensioner arm.
5. Using bolt and nut secure new pulley onto belt tensioner arm.

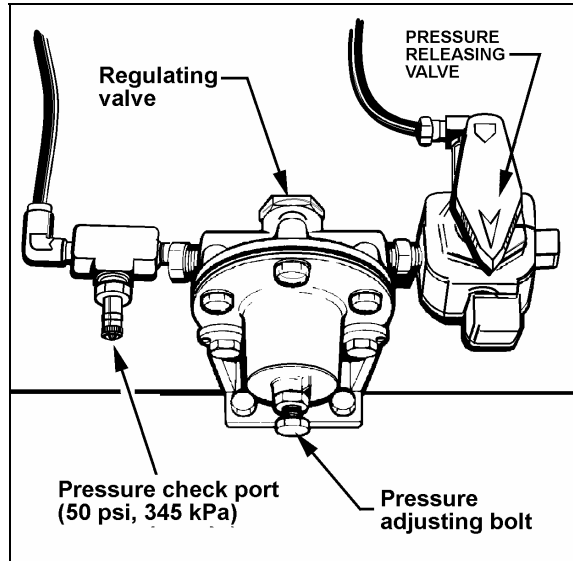


FIGURE 1: REGULATING VALVE

12018

6. Torque bolt and nut to 130 lbf•ft (177 N•m).
7. Re-apply pressure to air bellows by means of belt tensioner pressure releasing valve.

**Note:** Normal operating pressure is 50 PSI (345 kPa).

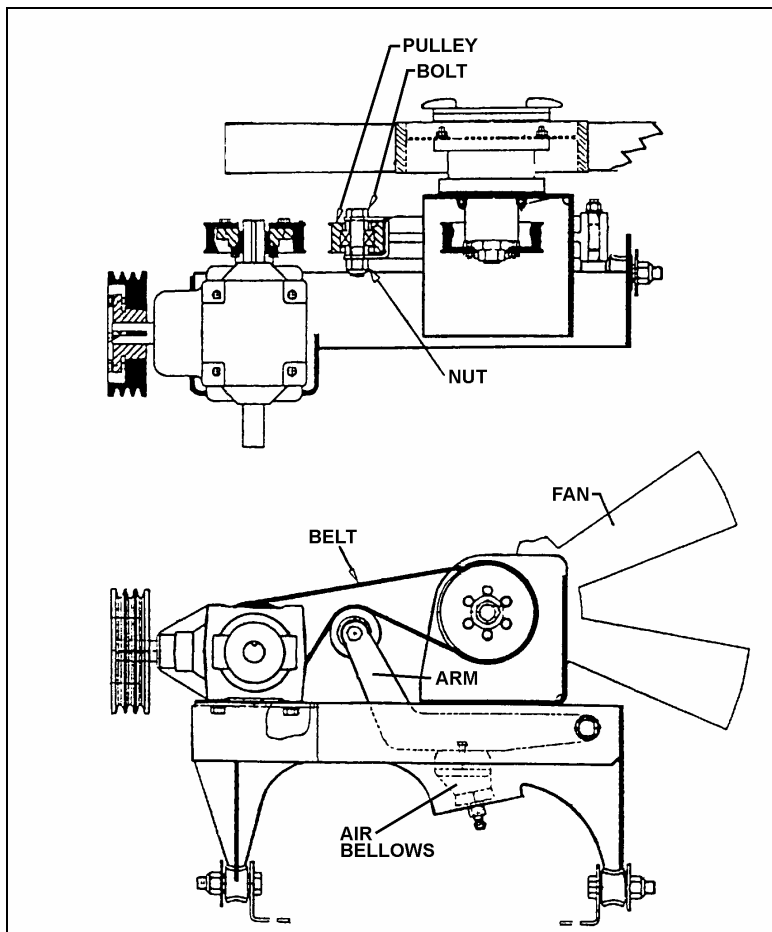


FIGURE 2: FAN DRIVE INSTALLATION

05052