

## MAINTENANCE INFORMATION

Mi99-35A



DATE : October 1999	SECTION : 13
SUBJECT : FRONT AND TAG AXLE WHEEL HUBS LUBRICATION	

REVISION : A

REFERENCE MANUAL CHANGED FOR GKN PARTS AND SERVICE MANUAL #1604

**Important Notice:** This maintenance is recommended by Prévost Car to increase your vehicle's performance. Note that no reimbursement will be awarded for carrying out this maintenance.

### APPLICATION

Model	VIN
H3-41, H3-45 Coaches Model Year: 1995 - 2000	From 2P9H33495S1001291 up to now.

### DESCRIPTION

Two types of wheel hubs are available. One is lubricated with grease and the other is lubricated with oil. Oil lubricated wheel hubs are standard while grease lubricated wheel hubs are optional.

### PROCEDURE

**Warning :** Park vehicle safely, apply parking brake, stop engine and set battery master switch(es) to the OFF position prior to working on the vehicle.

## FRONT AND TAG AXLE WHEEL HUBS

### Grease Lubricated Wheel Hubs

Front and tag axle wheel hubs and hub bearings need to be cleaned and greased every 50,000 miles (80 000 km) or once a year, whichever comes first.

#### 1. Recommended Lubricants

A good quality lithium-base grease NLGI No. 1 or No. 2 is recommended.

#### 2. Hub Bearing Inspection

An inspection should be made after the first 3,000 miles (4 800 km) and then at intervals of 25,000 miles (40 000 km). When the wheels are raised, they should revolve quite freely without roughness.

Hub bearings should have a slight end movement within the limits of 0.0005 to 0.002" (0.0127 to 0.0508 mm) when rocked forward and backwards on axle stub. Refer to *GKN AXLES LIMITED "Parts and Service Manual No. 1604, Issue A"*, annexed to Section 10 of Maintenance Manual, "FRONT AXLE".

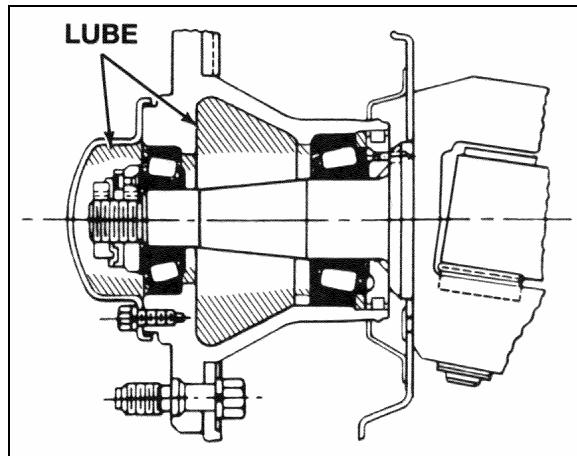


FIGURE 1: GREASE LUBRICATED WHEEL HUB

## Oil Lubricated Wheel Hubs

### Hub Bearing Maintenance

If applicable, the front and tag axle wheel hubs use oil lubrication that eliminates periodic grease repacking of the hubs. A sight glass is provided for convenient verification of oil level. Oil level should be checked daily and must be maintained between the "ADD" and "FULL" level mark in the sight glass or between 15/16" and 1 3/16" from wheel centerline (23 to 30 mm). If oil is not visible through the sight glass, general purpose gear lubricant SAE 85W/140 (API spec. GL5) must be added by removing the oil fill cap in center of hub to bring oil to the correct level. To check oil level after vehicle has been driven, wait at least 15 minutes to ensure that oil has settled.

**Note:** For vehicles equipped with Independent Front Suspension, refer to Section 16 "SUSPENSION".

**Caution:** Hub oil fill cap is provided with a very small vent hole in its center. Occasionally insert a small tip (toothpick size) to avoid hole restriction and prevent overpressure in bearing housing.

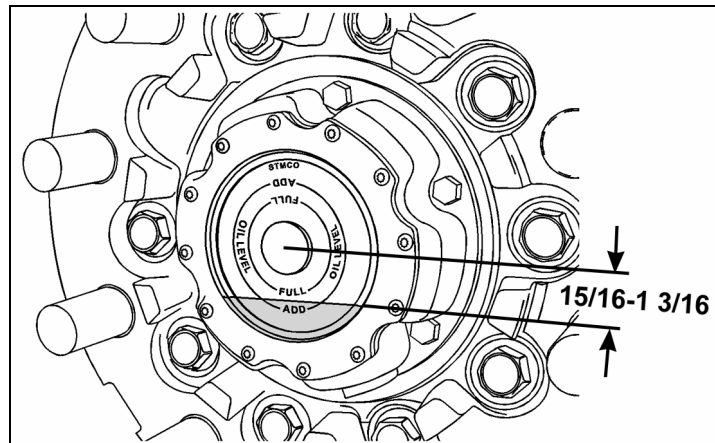


FIGURE 2: OIL FILL CAP

13017