



PREVOST

EN REGISTRÉ - REGISTERED
ISO 9001 & ISO

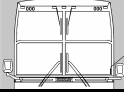



SAFETY RECALL

Sr02-09

DATE : May 2002	SECTION : 23
SUBJECT : SPLINES INSPECTION AND WIPER ARMS NEW TIGHTENING TORQUE	

APPLICATION

Model	VIN
XLII-45 Coaches Model Year : 2001 - 2002	  <p>V.I.N. PREVOST CAR INC. 8111 QUAI DES ÉCHOUÉS, Q.B.E., CANADA</p>
XLII MTH W0, W5 & WE Model Year : 2001 - 2002	
	From 2PCX3349311027411 up to 2PCX3349321027846 incl.
	From 2PCY3349X11027412 up to 2PCW3349021027850 incl.

DESCRIPTION

On the above-mentioned vehicles, it is necessary to inspect the wiper arm driving shaft splines to ensure their correctness. The inspection will determine if only re-tightening of the wiper arms to 22 Lbf-ft is necessary or if replacing the wiper arm driving levers or re-machining the splines is mandatory. If you choose to have the splines re-machined, you must make an appointment with the nearest Prévost service center in order to have the work performed on your vehicle.

MATERIAL

Part No.	Description	Qty
300435	Driving lever, Driver side	1
300436	Driving lever, Driver side	1
300442	Coupling plate, Motor side	1
300443	Driving lever, Motor side	1

Note : Material can be obtained through regular channels.

PROCEDURE FOR INSPECTION

Warning : Park vehicle safely, apply parking brake, stop engine and set battery master switch(es) to the OFF position prior to working on the vehicle.

1. Apply masking tape onto the windshield to identify wiper blades location to ensure proper positioning upon re-installation.

2. Lift the driving arms protective covers. Disconnect the windshield washer tubing at the base of the wiper arm.
3. Remove the wiper arms.
4. Verify that the spline edges are sharp and do not appear worn out. If this is the case, re-install wiper arms at the same location and tighten to 22 lbf-ft (30 Nm). **Wait 30 minutes and tighten again to 22 lbf-ft.**

Note: When installing a wiper motor, arm or blade, follow recommended procedures to prevent misalignment, binding or malfunction. Check the windshield washer liquid hoses, fittings and connectors to be sure they are properly connected and seal with no restriction to the flow of washer liquid. Check that wiper arms have the proper sweep position and the washer nozzles are aimed so that spray is within the proper wiper pattern.

5. If the spline edges are flat or rounded, you must replace the driving mechanism levers or re-machine the splines. If you choose to have the splines re-machined, you must make an appointment with the nearest Prévost service center in order to have the work performed on your vehicle. The procedure for re-machining the splines is much faster and doesn't require dismantle of the wiper driving mechanism.

PROCEDURE FOR DRIVING LEVER REMOVAL

1. Lift the driving arms protective covers. Disconnect the windshield washer tubing at the base of the wiper arm.
2. Remove the wiper arms.
3. Remove the Phillips head screws retaining the defroster panels, and remove panels. Remove access panel beside the footwell. The driving mechanisms are now accessible for replacement (refer to figure 1).

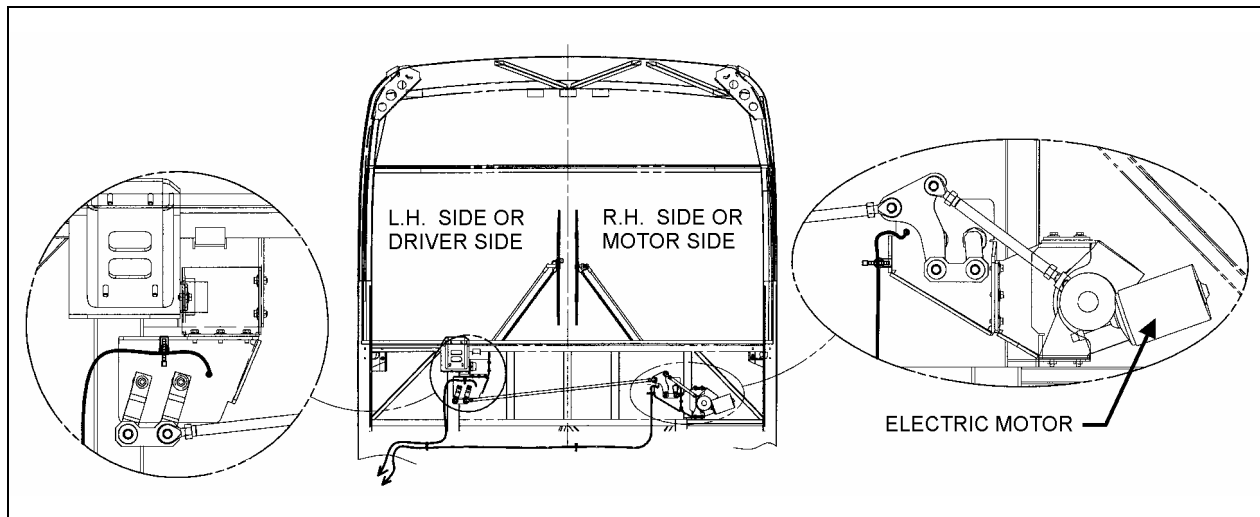


FIGURE 1: WINDSHIELD WIPER INSTALLATION

4. The driving levers on the driver side may not be easily removable. To ease the operation, remove the circlips and washers then unscrew the black sleeves located on the wiper arm side.
5. Unfasten the connecting rods then tilt the driving levers towards the inside of vehicle.
6. Unfasten the coupling plate and diving lever on the motor side.

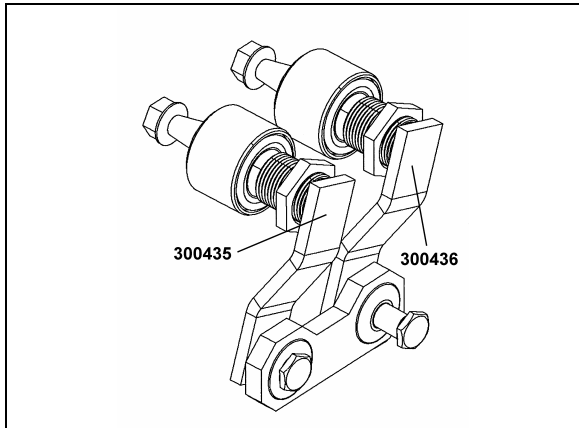


FIGURE 2: DRIVING MECHANISM (DRIVER SIDE) 23284A

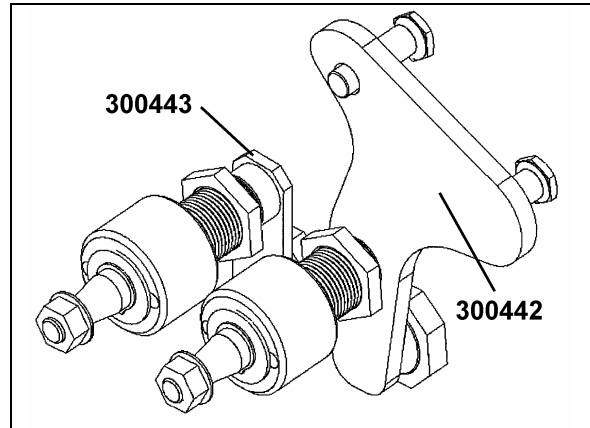


FIGURE 3: DRIVING MECHANISM (MOTOR SIDE) 23285A

7. Install the new driving mechanisms and attach the links and rods, tighten the bolts and nuts.
8. Reinstall the panels. Install the wiper arms and position as shown in figure 4.
9. Before fixing the wiper onto its final position, tighten the nut to 9 lbf-ft (12 Nm) at first.
10. To find the final position of the wiper arm, lift then release the wiper arm so it falls back on the windshield.
11. When the final position is found, tighten the wiper arm nut to 22 lbf-ft (30 Nm). **Wait 30 minutes and tighten again to 22 lbf-ft.**

Note: When installing a wiper motor, arm or blade, follow recommended procedures to prevent misalignment, binding or malfunction. Check the windshield washer liquid hoses, fittings and connectors to be sure they are properly connected and seal with no restriction to the flow of washer liquid. Check that wiper arms have the proper sweep position and the washer nozzles are aimed so that spray is within the proper wiper pattern.

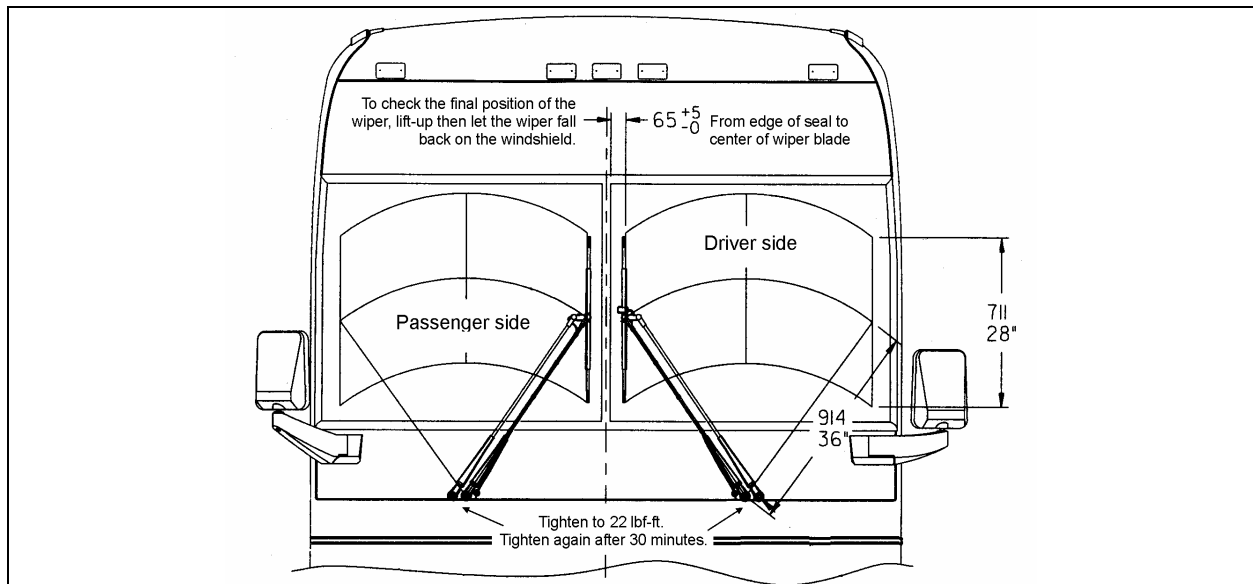


FIGURE 4: WIPER ARMS POSITIONING

23253

12. Install the windshield washer tubing, wiper blade and washer nozzle as shown in figures 5 & 6.
13. Connect the windshield washer tubing at the base of the wiper arm.

14. Check the adjustment on a wet windshield.

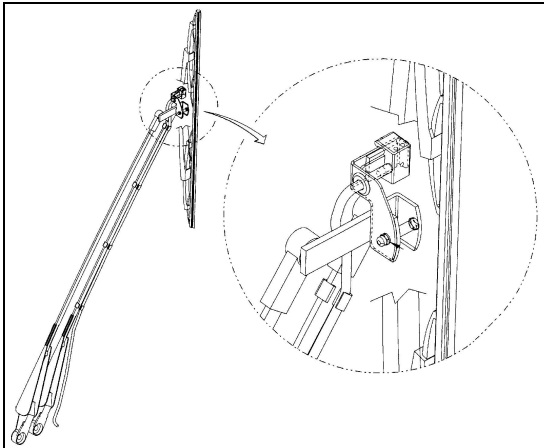


FIGURE 5 : WINDSHIELD WIPER (DRIVER SIDE)

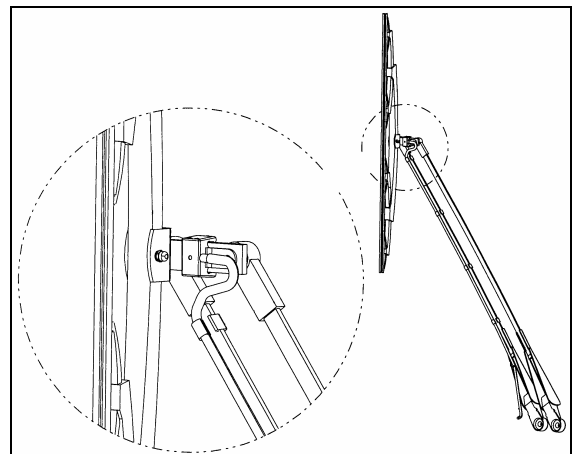


FIGURE 6 : WINDSHIELD WIPER (RIGHT SIDE)

Caution: Do not attempt to manually move the wiper arms to make wiper blade sweep adjustments as damage to the wiper linkage or motor may occur. If it is necessary to adjust the sweep of blades, remove the arms and make adjustment by positioning the arms using serration on the wiper arm pivot shafts.

WARRANTY

This modification is covered by Prévost Car's normal warranty. We will reimburse you upon receipt of a completed A.F.A. form on which you must specify as per "Safety Recall 02-09", the parts and half an hour (0.5) of labor for inspection and three hours (3.0) of labor if you replace the driving levers. **You also have to fill the "Safety Recall Certification Sheet" provided with this bulletin and return it with your A.F.A. form to be reimbursed.**

Parts disposition :

- Discard according to applicable environmental regulations (Municipal/State[Prov.]/ Federal)



PREVOST

**Safety Recall
Certification Sheet
(Ref: Sr02-09)**

ENREGISTRÉ - REGISTERED
ISO 9001 & ISO 14001



SERIAL NUMBER: _____

PERFORMED BY		OWNER/OPERATOR	
We hereby certify that Safety Recall Instructions with regard to Safety Recall #02-09 have been performed.			
Name: _____		Name: _____	
Addr: _____		Addr: _____	
Phone: _____		Phone: _____	
Fax: _____		Fax: _____	
Signature :	_____	Signature :	_____
Date:	_____	Date:	_____

If the information mentioned above is incorrect or you are not the owner of this vehicle anymore, please fill this section and return to sender..

NEW OWNER: _____

BUSINESS: _____

ADDRESS: _____

TELEPHONE: _____ **FAX:** _____

**Please return this completed document with your
A.F.A. form**