

# PREVOST

## WARRANTY BULLETIN


### WB23-21

DATE :	October 2023	SECTION :	22 HVAC
EXPIRATION:	October 2025		
SUBJECT :	<b>DEFROSTER FLAP ADJUSTMENT</b>		

First Release

10-04-2023

### APPLICATION

<b>NOTICE TO SERVICE CENTERS</b>	
<i>Verify vehicle eligibility by checking warranty bulletin status with <b>SAP</b> or via <b>ONLINE WARRANTY SYSTEM</b> available on Service / Warranty tab of Prevost website.</i>	
Model	VIN
H3-45 VIP motorhomes Model Year: 2022	 2PCVS3498NC721211, 2PCV33490NC721247 2PCVS3491NC721258, 2PCVS349XNC721274
H3-45 VIP motorhomes Model Year: 2023	From 2PCVS3499PC721348 up to 2PCVS3497PC721428 incl.
H3-45 coaches Model Year: 2023	2PCH33490PC721359 & 2PCH33496PC721382
This bulletin does not necessarily apply to all the above-mentioned vehicles, some vehicles may have been modified before delivery. The owners of the vehicles affected by this bulletin will be advised by a letter indicating the Vehicle Identification Number (VIN) of each vehicle concerned.	

### DESCRIPTION

On the vehicles affected by this bulletin the windshield defrost air flow may not be optimal.

### MATERIAL

Order kit WB23-21 includes the following parts:

Part No.	Description	Qty
870189	ACTUATOR 24VDC	1

<b>NOTE</b>
<i>Material can be obtained through regular channels.</i>

## SAFETY PRECAUTIONS

- Eye protection should always be worn when working in a shop.
- Rules for Personal Protection Equipment should always be respected. Wear your PPE including but not limited to the following:



# Safety First!



## PROCEDURE



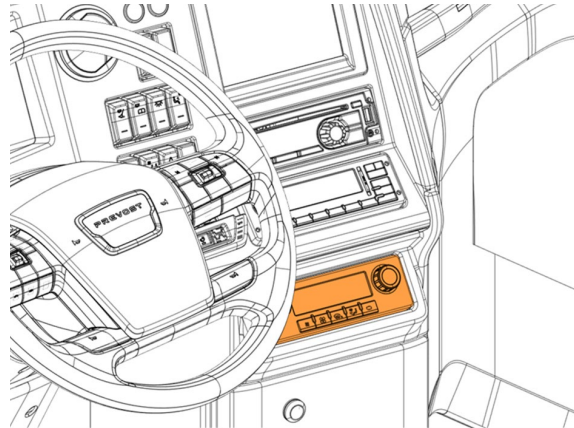
### DANGER

Park vehicle safely, apply parking brake, stop the engine. Prior to working on the vehicle, set the ignition switch to the OFF position and trip the main circuit breakers equipped with a trip button. On the Commuter type vehicles, set the battery master switch (master cut-out) to the OFF position.

Lockout & Tag out (LOTO) must be performed during set-up, maintenance or repair activities. Refer to your local procedure for detailed information regarding the control of hazardous energy.

## VALIDATE THE ACTUATOR

1. Turn the vehicle on.



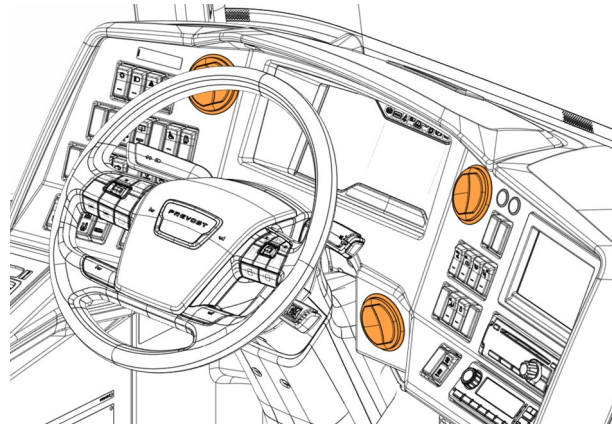
2. On HVAC module Press on defrost



3. Validate if you have full air output from dash vents.

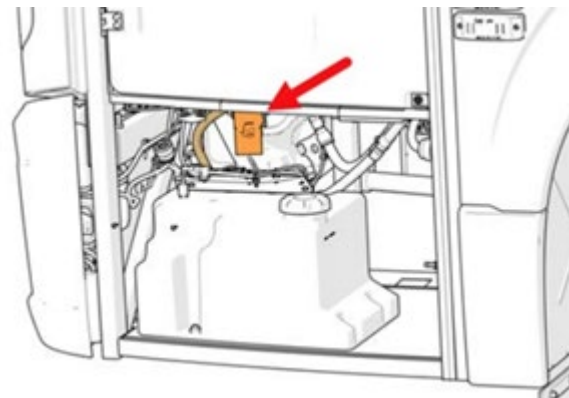
If yes, go to the next step.

If not, the procedure is complete.

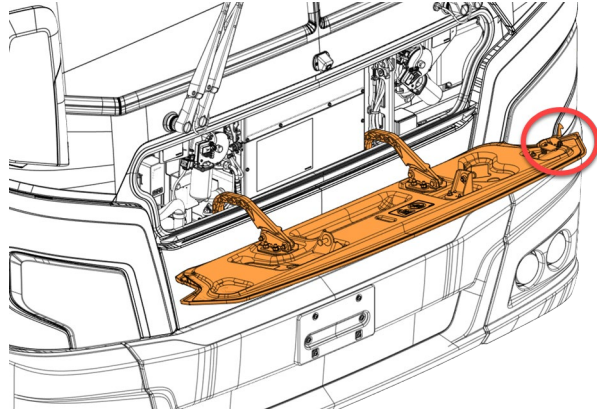


## ACCESS TO DEFROSTER

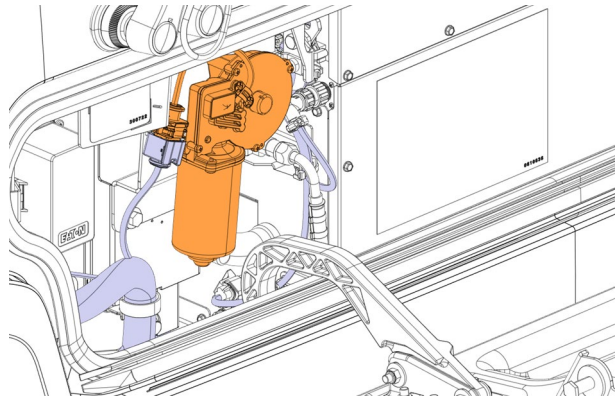
1. Pull the release lever located inside the front service compartment to unlock.



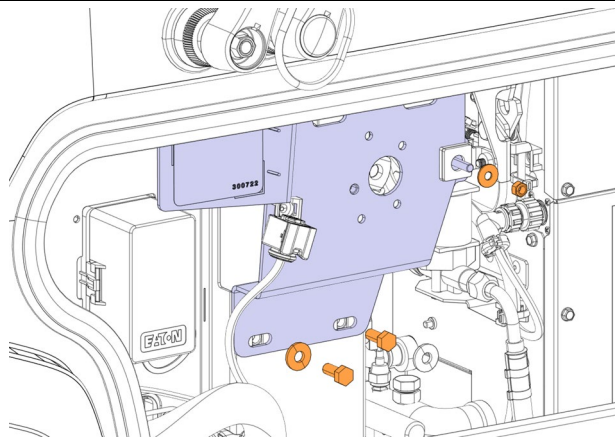
2. Pull the safety latch located on the upper right inner side of the hatch.



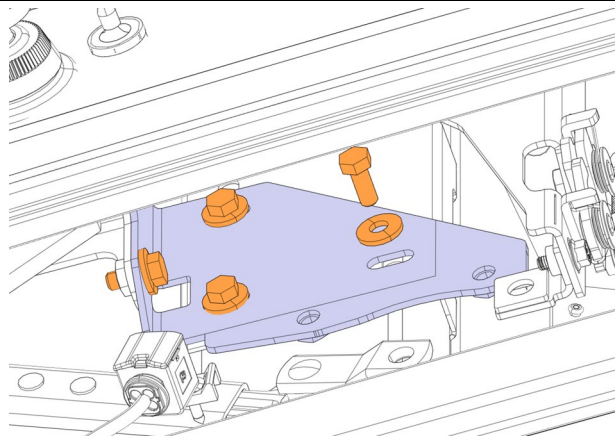
3. Remove the right wiper motor following MI23-12



4. Remove wiper motor support.

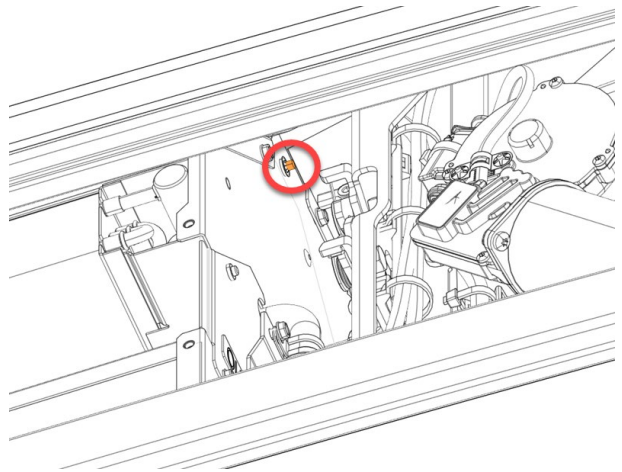


5. Remove the support of the wiper support

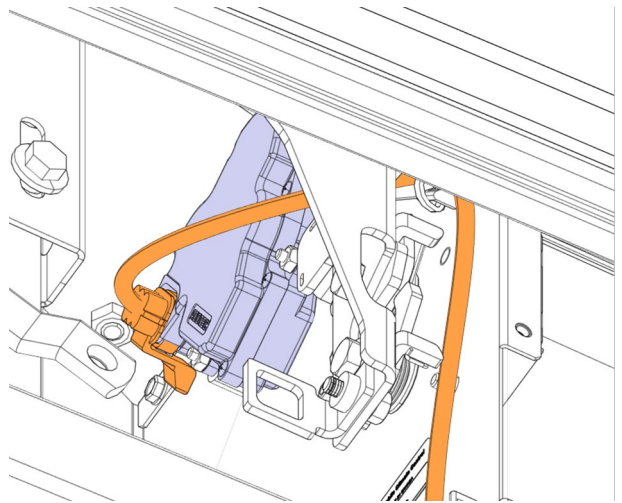


## REPLACE THE ACTUATOR

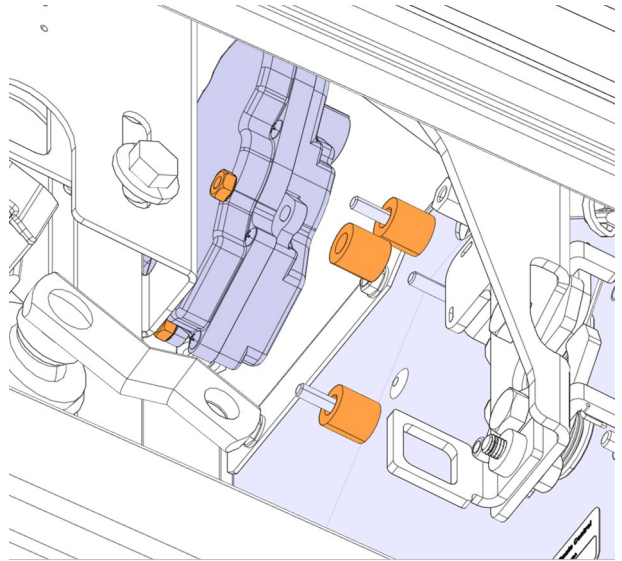
1. Apply locking plier to end rod of the flap to keep the flap mounting in place.



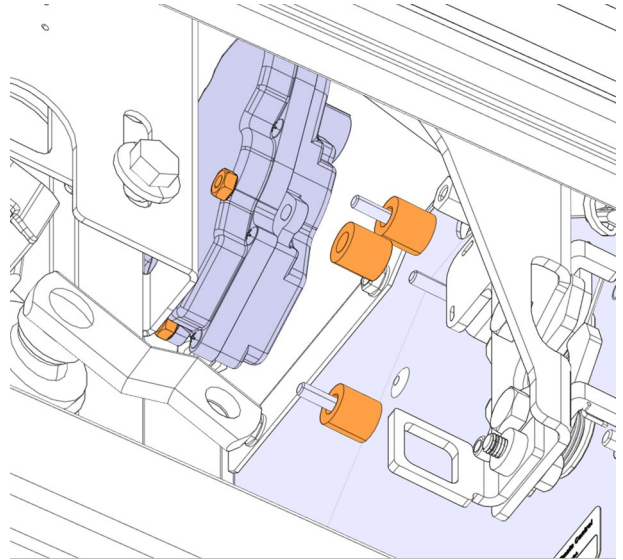
2. Disconnect the actuator.



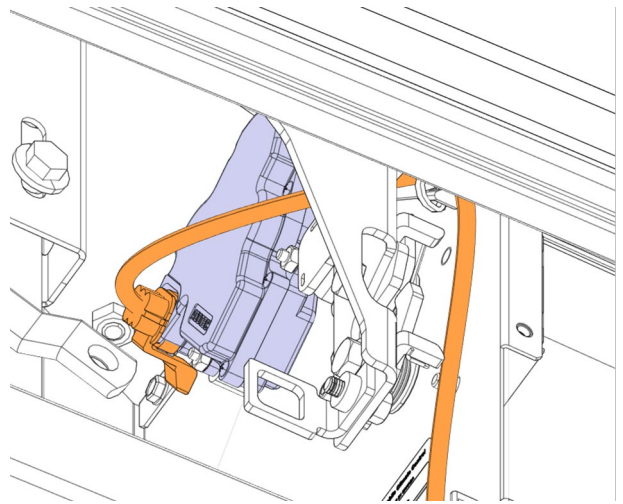
3. Uninstall the old actuator, remove nuts and spacers (be aware the white space could fall)



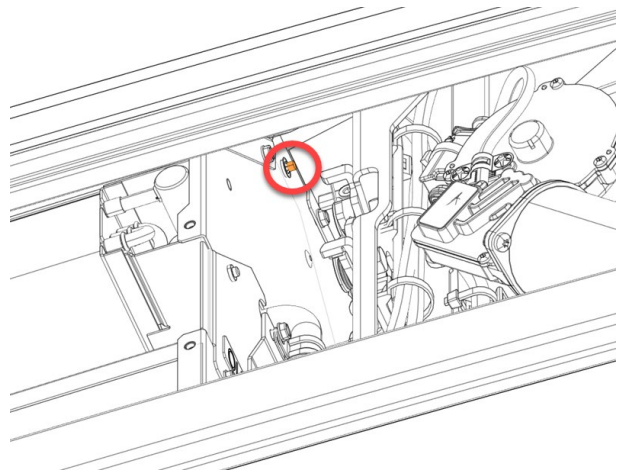
4. Install the new actuator 870189.



5. Connect the actuator.

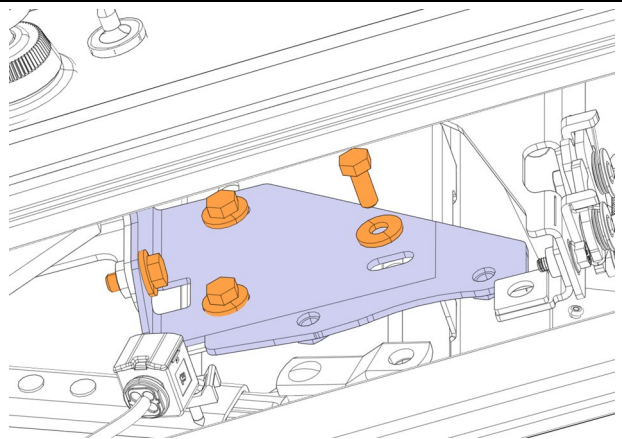


6. Remove locking plier from the end rod of the flap.

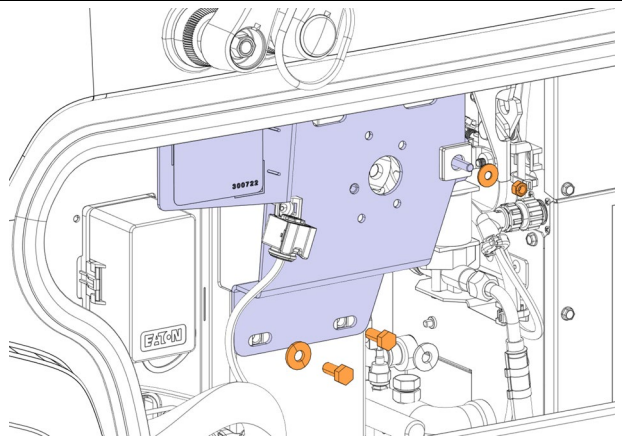


## REINSTALL WIPER MOTOR

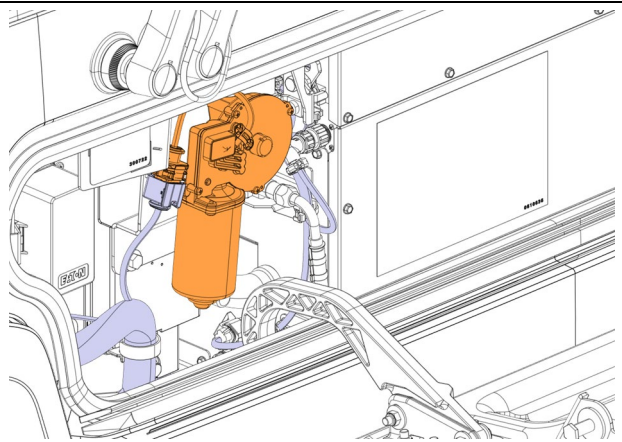
1. Reinstall the support of the wiper support



2. Reinstall wiper motor support.

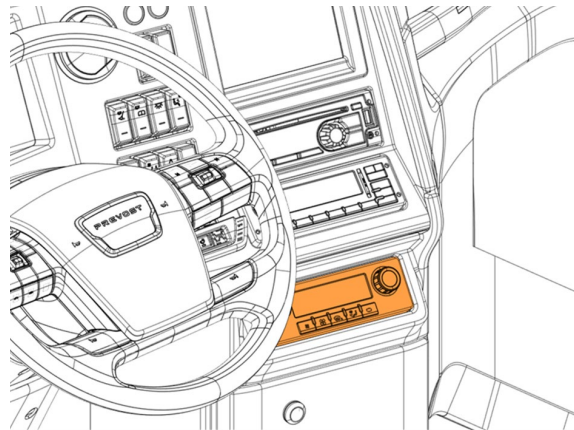


3. Reinstall the right wiper motor following MI23-12



## VALIDATE THE NEW ACTUATOR

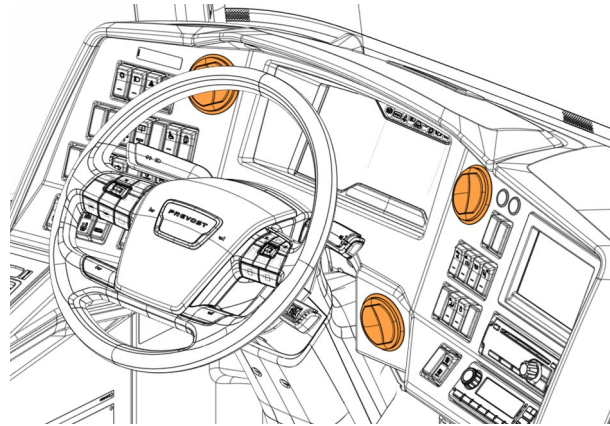
1. Turn the vehicle on.



2. On HVAC module Press on defrost



3. Validate if you have full air output from air diffuser.





## PARTS / WASTE DISPOSAL

All replaced parts must be returned to Prevost according to the Return Shipping Instructions available on <https://www.prevostcar.com/content/warranty-documents> for full reimbursement. A copy of the warranty claim form must be enclosed with the shipment.

Discard waste according to applicable environmental regulations (Municipal/State[Prov.]/ Federal)

## WARRANTY

This modification is covered by Prevost's normal warranty. We will reimburse you the parts and one hour (1.0) of labor upon receipt of a warranty claim. Please submit claim via our Online Warranty System, available at [www.prevostcar.com](http://www.prevostcar.com) (under Service \ Warranty section). Use Claim Type: "Bulletin/Recall" and select "Warranty Bulletin WB23-21".

## OTHER

VBC Bulletin	N/A
Fail Code	22.00
Defect Code	09
Syst. Cond	B
Causal Part	870189

Access all our Service Bulletins on  
<http://techpub.prevostcar.com/en/>  
or scan the QR-Code with your smart phone.



**Are you a Vehicle owner? E-mail us at [technicalpublications\\_prev@volvo.com](mailto:technicalpublications_prev@volvo.com) and type "ADD" in the subject to receive warranty bulletins applicable to your vehicle(s) by e-mail.**