



PREVOST

**SAFETY
RECALL**

Sr99-20A

ENREGISTRÉ - REGISTERED
ISO 9001 & ISO 14001




DATE : April 1999	SECTION : 16 SUSPENSION
SUBJECT : LOCK WASHERS ON SWAY BAR U-BOLT	

REVISION : A

HEIGHT CONTROL VALVE LEVER ATTACHED TO SWAY BAR, NOT RADIUS ROD

APPLICATION

Model	VIN
H3-45 VIP Bus Shells WITH INDEPENDENT SUSPENSION Model Year : 1999	 From 2PCV33491X1012583 up to 2PCV33493X1013041 incl. EXCEPT 2PCV33499X1012587 2PCV33499X1012766 2PCV33498X1012595 2PCV3349XX1012775 2PCV33495X1012599 2PCV33495X1012781 2PCV33495X1012604 2PCV33496X1012949 2PCV33492X1012625 2PCV33491X1012955 2PCV3349XX1012629 2PCV33490X1012980 2PCV33491X1012633 2PCV33496X1012983 2PCV33494X1012643 2PCV33496X1012997 2PCV33491X1012647 2PCV33495X1013008 2PCV33497X1012748

DESCRIPTION

On the vehicles mentioned above, the height control valve lever attached to the sway bar of the independent front suspension may have been fastened without using lock washers. Prévost Car Inc. believes that the fasteners may loosen over time, resulting in improper suspension height adjustment and possible loss of vehicle control. To repair this defect, two lock washers must be installed on the U-bolt retaining the height control valve lever.

MATERIAL

Part No.	Description	Qty
500476	Lock Washer, zinc plated, .317 x .586 x .078	2

Note : Material can be obtained through regular channels.

PROCEDURE

Warning: Park vehicle safely, apply parking brake, stop engine and set battery master switch(es) to the OFF position prior to working on the vehicle.

Warning: Park the vehicle over a repair pit or raise using a lift before working on height control valves. Manipulation of valve lever may deplete the air bellows.

1. Locate the front suspension height control valve lever (3, Fig. 1) and U-bolt (1, Fig. 1).
2. To keep the levelling system properly adjusted, mark the position of the valve lever on the sway bar. Place a lock washer and tighten the nut one stud at a time (2, Fig. 1).

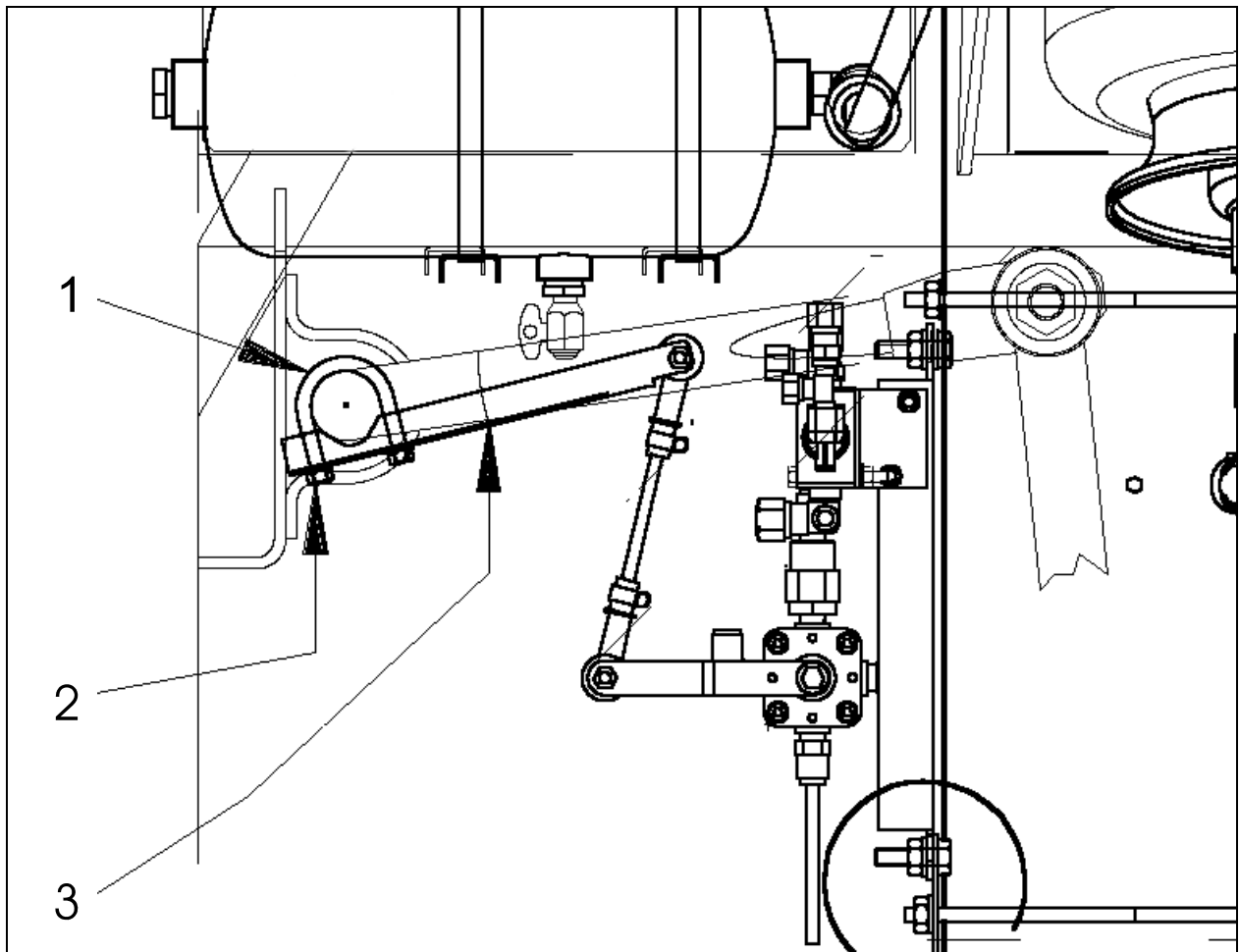


FIGURE 1 : HEIGHT CONTROL VALVE ON INDEPENDANT SUSPENSION

WARRANTY

This modification is covered by Prévost Car's normal warranty. We will reimburse you the parts and one quarter of an hour (0.25) of labor upon receipt of a completed A.F.A. form on which you must specify as per "Safety Recall 99-20". **You also have to fill the "Safety Recall Certification Sheet" provided with this bulletin and return it with your A.F.A. form to be reimbursed.**



PREVOST

**Safety Recall
Certification Sheet
(Ref: Sr99-20)**

ENREGISTRÉ - REGISTERED
ISO 9001 & ISO 14001



SERIAL NUMBER: _____

PERFORMED BY		OWNER/OPERATOR	
We hereby certify that Safety Recall Instructions with regards to Safety Recall #99-20 have been performed.			
Name: _____		Name: _____	
Add: _____		Add: _____	
Phone: _____		Phone: _____	
Fax: _____		Fax: _____	
Signature :	_____	Signature :	_____
Date:	_____	Date:	_____

If the information mentioned above is incorrect or you are not the owner of this vehicle anymore, please fill up this section and return to sender..

NEW OWNER: _____

BUSINESS: _____

ADDRESS: _____

TELEPHONE: _____ **FAX:** _____

**Please return this completed document with your
A.F.A. form**