

PREVOST

ENREGISTRÉ - REGISTERED
ISO 9001 & ISO 14001



WARRANTY BULLETIN

Wb00-15

DATE : DECEMBER 2000	SECTION : 06 - Electrical
EXPIRATION: DECEMBER 2001	
SUBJECT : REPLACEMENT OF ENTRANCE DOOR OPENING SWITCH	

APPLICATION

Model	VIN
H3-41 and H3-45 Coaches Model Year : 1999 - 2001	From 2PCH33496X <u>1012639</u> up to 2PCH334961 <u>1014074</u> incl.
XL2-45 Coaches Model Year 2000 - 2001	From 2PCX33495Y <u>1026951</u> up to 2PCX334921 <u>1027397</u> incl.

DESCRIPTION

On the above-mentioned vehicles, the replacement of entrance door opening toggle switch enables to prevent corrosion by ensuring the watertightness of the installation.

MATERIAL

Kit #065380 includes the following parts :

Part No.	Description	Qty
065377	Interconnecting Cable Ass'y, Entrance Door Switch	1
563047	Switch Ass'y, Entrance Door Opening	1

Note : Material can be obtained through regular channels.

PROCEDURE

Warning : Park vehicle safely, apply parking brake, stop engine and set battery master switch(es) to the OFF position prior to working on the vehicle.

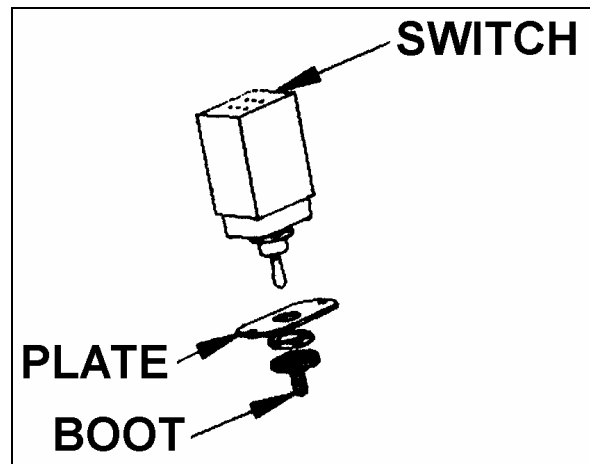
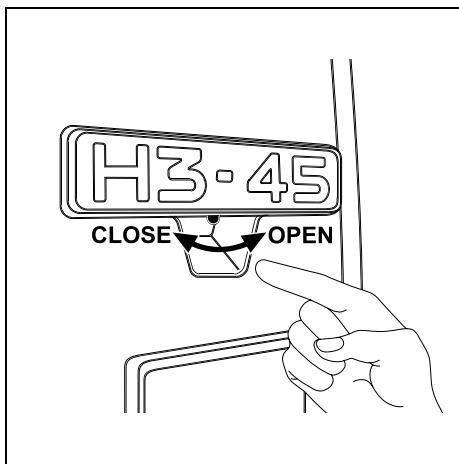
H3 SERIES COACHES

1. Remove switch plate fixing screws.

2. Remove switch and cable assembly from housing. Remove toggle switch protective boot and unfasten securing nut.
3. Cut three wires ring terminals. Remove about ½ inch of sheath covering each wire, insert each wire into a heat shrink tubing and crimp each wire end.
4. Insert interconnecting cable matching wires into the other end and crimp. Heat up each heat shrink tubing. Apply electrical tape onto three previously cut and isolated wires.
5. Connect interconnecting cable connector to the switch assembly connector.

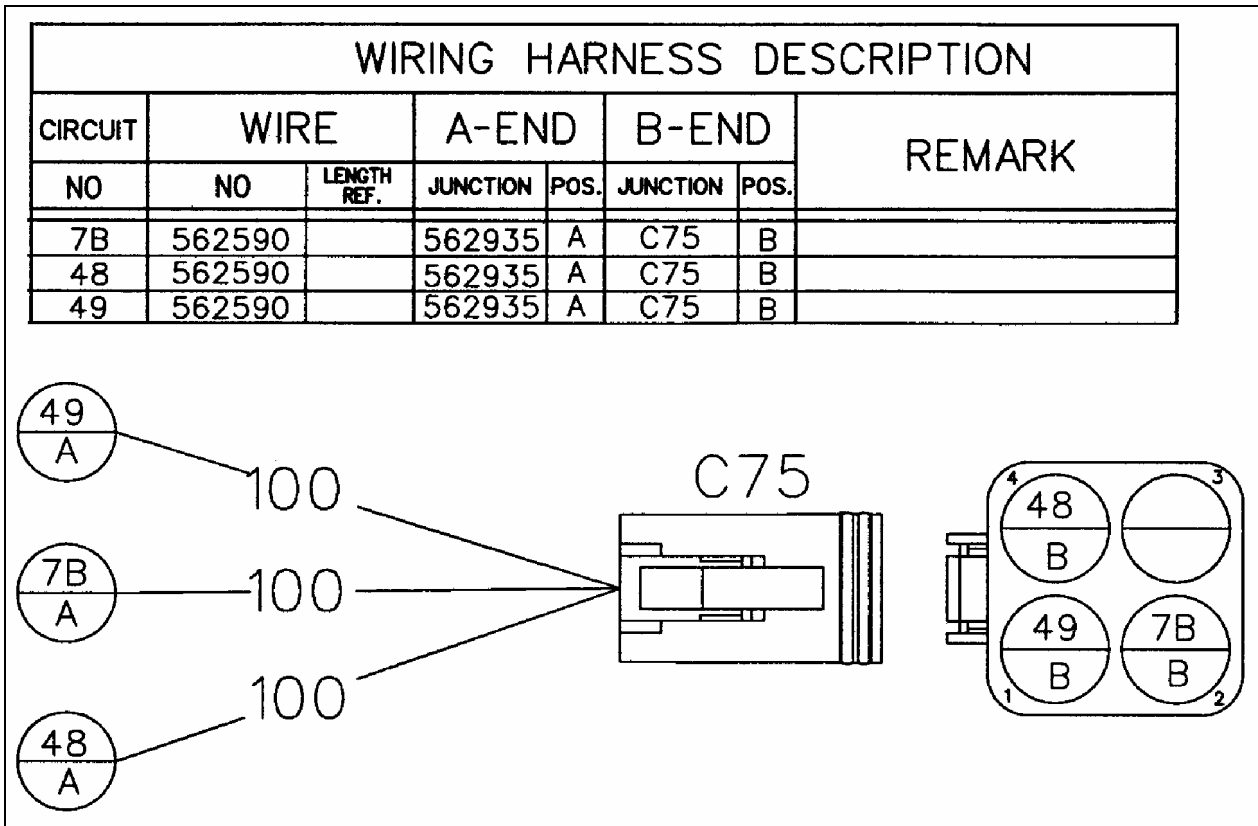
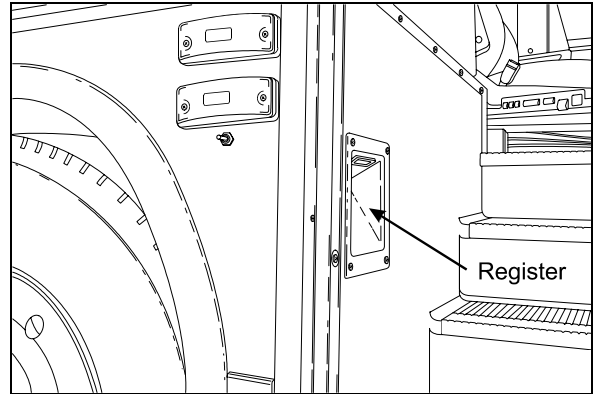
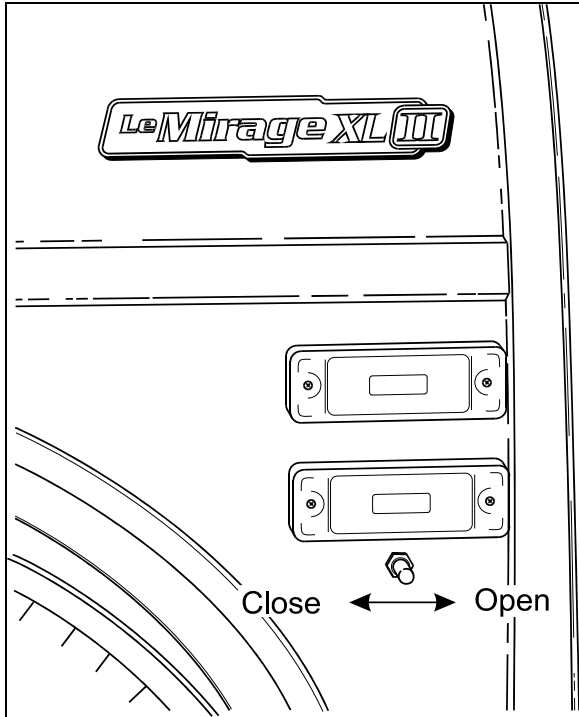
Note: You might have to file down the opening in order to insert the new switch.

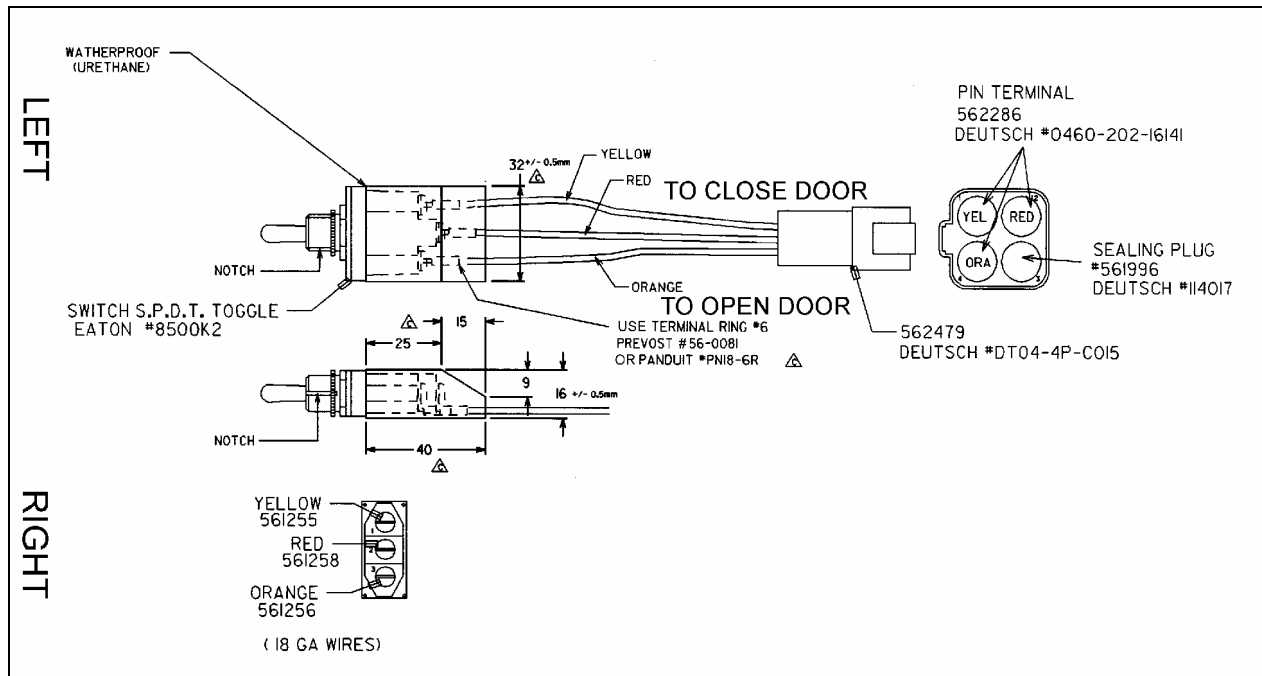
6. Reinsert interconnecting cable assembly and switch into the housing. Install plate onto the switch and fix using the nut. Secure the plate complete with the switch to the chassis using the two screws and reinstall the protective boot.



XL2 SERIES COACHES

1. From the outside of vehicle, unfasten toggle switch fixing nut.
2. On the modesty panel wall near the steps, unscrew air register four fixing screws and remove tape fixing duct to register. Set aside the register and push duct out of the way.
3. Remove switch and cable assembly from housing.
4. Cut three wires ring terminals. Remove about ½ inch of sheath covering each wire, insert each wire into a heat shrink tubing and crimp each wire end.
5. Insert interconnecting cable matching wires into the other end and crimp. Heat up each heat shrink tubing.
6. Connect interconnecting cable connector to the switch assembly connector.
7. Reinsert interconnecting cable assembly and switch into the housing.
8. Feed toggle switch through the side and secure it using the nut.
9. Secure duct to register using electrical tape or duct tape and fix register into its housing using the four screws.





WARRANTY

This modification is covered by Prévost Car's normal warranty. We will reimburse you the parts and half an hour (0.5) of labor upon receipt of the replaced parts and a completed A.F.A. form on which you must specify as per "Warranty Bulletin 00-15".

Parts / Waste disposal:

Return replaced parts to Prévost Car with A.F.A. for full reimbursement.