

PREVOST

ENREGISTRÉ - REGISTERED
ISO 9001 & ISO 14001

**WARRANTY
BULLETIN**

Wb04-02



DATE : APRIL 2004	SECTION : 07 - Transmission
EXPIRATION: APRIL 2006	
SUBJECT: REPLACEMENT OF NEUTRAL SAFETY SWITCH ON ZF ASTRONIC TRANSMISSION	

APPLICATION

Model	VIN										
H3-41 & H3-45 Coaches with ZF Astronic transmission Model Year : 2004	<p>The following vehicles:</p> <table> <tr> <td>2PCH3349941014705</td> <td>2PCH3349341014795</td> </tr> <tr> <td>2PCH3349641014774</td> <td>2PCH3349X41014826</td> </tr> <tr> <td>2PCH3349141014777</td> <td>2PCH3349341014828</td> </tr> <tr> <td>2PCH3349141014780</td> <td>2PCH3349141014830</td> </tr> <tr> <td>2PCH3349241014786</td> <td>2PCH3349541014832</td> </tr> </table>	2PCH334994101 4705	2PCH334934101 4795	2PCH334964101 4774	2PCH3349X4101 4826	2PCH334914101 4777	2PCH334934101 4828	2PCH334914101 4780	2PCH334914101 4830	2PCH334924101 4786	2PCH334954101 4832
2PCH334994101 4705	2PCH334934101 4795										
2PCH334964101 4774	2PCH3349X4101 4826										
2PCH334914101 4777	2PCH334934101 4828										
2PCH334914101 4780	2PCH334914101 4830										
2PCH334924101 4786	2PCH334954101 4832										
XLII-45 Coaches with ZF Astronic transmission Model Year : 2004	<p>The following vehicles:</p> <table> <tr> <td>2PCX3349441028135</td> <td>2PCX3349041028228</td> </tr> </table>	2PCX334944102 8135	2PCX334904102 8228								
2PCX334944102 8135	2PCX334904102 8228										

DESCRIPTION

The manufacturer of the ZF Astronic transmission has informed Prevost Car that a failure to the neutral safety switch may occur. This switch eliminates the possibility of starting the engine when the transmission selector is not in neutral.

The neutral safety switch contact spring may break, which renders starting of the engine impossible.

It is necessary to replace the neutral safety switch by a new type of neutral safety switch on all ZF Astronic transmission which serial number is below 250872. All vehicles listed above are known to meet that criterion.

MATERIAL

Order the following parts:

Part No.	Description	Qty
571925	Neutral safety switch	1
571924	Seal	1

Note: Material can be obtained through regular channels.

PROCEDURE

Warning: Park vehicle safely, apply parking brake, stop engine and set battery master switch(es) to the OFF position prior to working on the vehicle.

1. Raise the vehicle.
2. Check the serial number written on the R.H. side identification plate (figure 1). If the serial number is below 250872, it is necessary to replace the neutral safety switch.

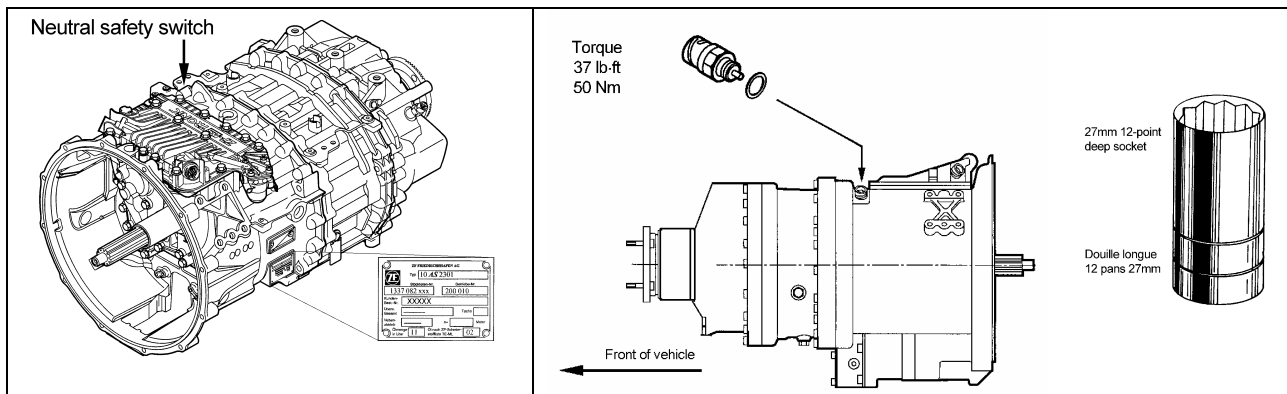


FIGURE 1: IDENTIFICATION PLATE

FIGURE 2: NEW NEUTRAL SAFETY SWITCH INSTALLATION

3. Unplug connector and remove the neutral safety switch and seal.

Note: For step 4, a ratchet handle with a 27mm 12-point deep socket is required (figure 2).

4. Apply a small quantity of grease to the plunger of the neutral safety switch. Place the seal and screw on the neutral safety switch. Torque to 37 lb•ft (50 Nm) (figure 2). Connect the neutral safety switch.

WARRANTY

This modification is covered by PrevoSt Car's normal warranty. We will reimburse you the parts and one hour (1.0) of labor upon receipt of a completed A.F.A. form on which you must specify as per "Warranty Bulletin 04-02".

Parts / Waste disposal:

Discard waste according to applicable environmental regulations (Municipal/State[Prov.]/ Federal)