

MATERIAL

Part No.	Description	Qty
564167	Connector, High Temperature for H9 Bulb	2
564168	Terminal, for high temperature connector	4

NOTE

Material can be obtained through regular channels.

PROCEDURE



DANGER

Park vehicle safely, apply parking brake, stop engine and set battery master switch(es) to the OFF position prior to working on the vehicle.

1. Make sure the ignition switch and the headlights switch are in the OFF position.

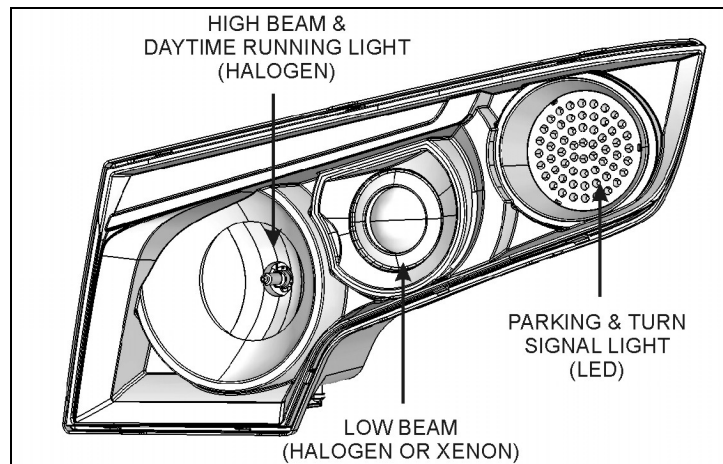


FIGURE 1: HEADLIGHT ASSEMBLY

2. Lower the front bumper by pulling on the release handle located in the front electrical and service compartment, near the lower door hinge. The bumper will lower gradually.
3. Pull on the rod shown in figure 2 to pivot the headlight assembly.

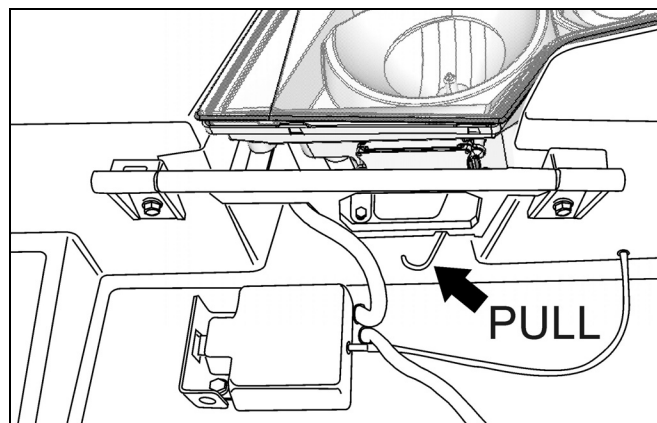


FIGURE 2: ROCKING THE HEADLIGHT ASSEMBLY

4. Unscrew the low beam access cap to gain access to the bulb connector.

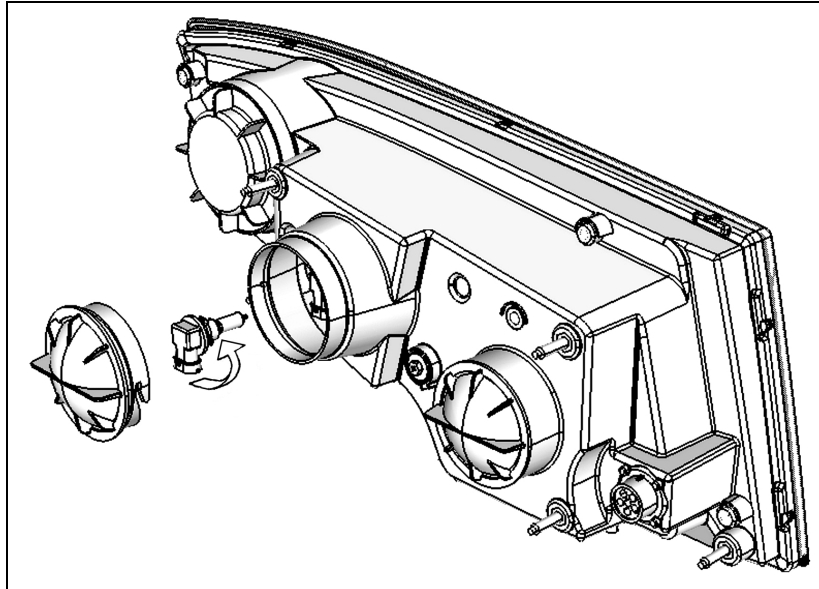


FIGURE 3: LOW BEAM AND CONNECTOR

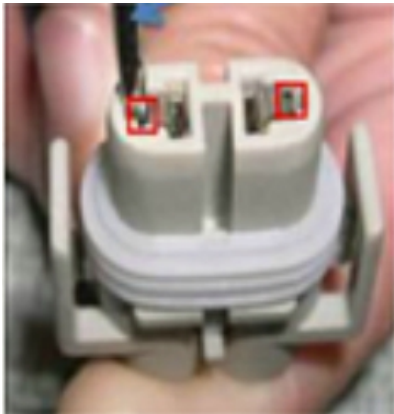
5. Turn the bulb base counterclockwise (figure 3).
6. Separate connector from bulb base.



CAUTION

During this step, avoid contacting the bulb with the fingers not to alter the bulb life.

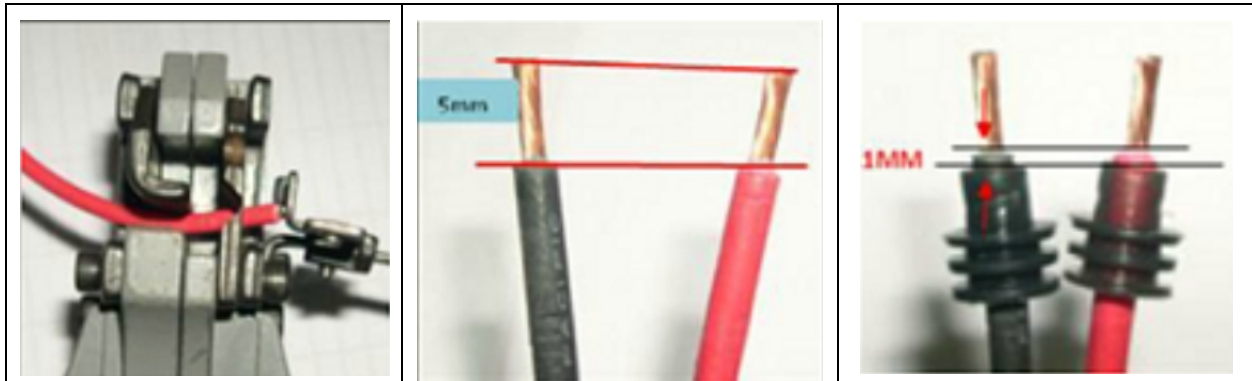
7. Using the needle shaped tool, remove the contact terminals from the connector.
8. Using a pair of diagonal cutting pliers or scissors, cut contact terminals.



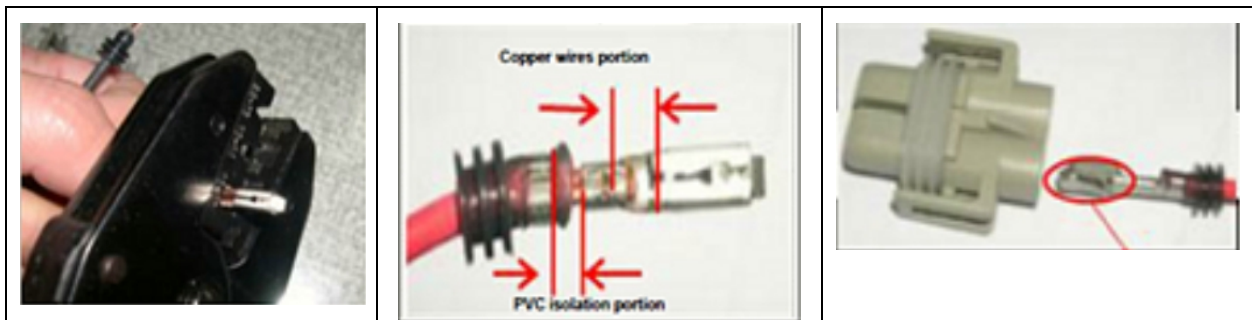
NOTE

Do not cut or damage seal.

9. Strip wire ends over 5 mm long.
10. Slip seals on wires then insert wires into contact terminals (564168).



11. Crimp contact terminal onto wire.
12. Crimp seal onto wire.
13. Insert contact terminals into new connector (564167).



14. Connect new connector to low beam bulb base.
15. Insert low beam bulb base into its housing then turn clockwise.
16. Reinstall low beam access cap then pivot headlight assembly upwards.
17. Repeat the operation for the other side of the vehicle.

WARRANTY

This modification is covered by Prevo's normal warranty. We will reimburse you the parts and half an hour (0.5) of labor upon receipt of a completed A.F.A. form on which you must specify as per "Warranty Bulletin 10-13".

Parts / Waste disposal:

Discard waste according to applicable environmental regulations (Municipal/State[Prov.]/ Federal)