

PREVOST

ENREGISTRÉ - REGISTERED
ISO 9001 & ISO 14001

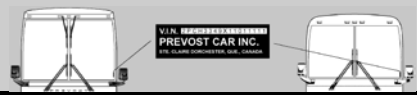


**WARRANTY
 BULLETIN**

WB12-08

DATE : APRIL 2012	SECTION : 01 - Engine
EXPIRATION: APRIL 2014	
SUBJECT : A/C COMPRESSOR BELT- IDLER PULLEY ADDITION	

APPLICATION

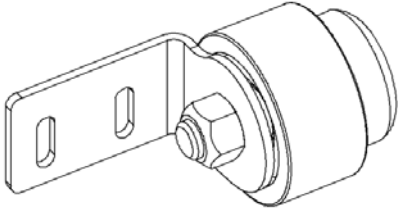
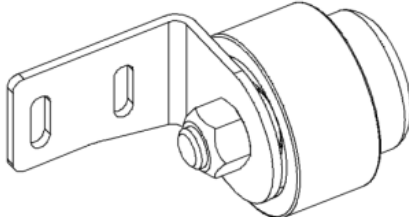
NOTICE TO SERVICE CENTERS	
Verify vehicle eligibility by checking warranty bulletin status with SAP or Vehicle Warranty Information tool found on Prevost-Systems tab of the Volvo Trucks Dealer Portal	
Model	VIN 
X3-45 Coaches Model Year : 2010 - 2012	<i>EPA 2010 (US10) vehicles.</i> 2PCG33498 <u>AC729907</u> , 2PCG33491 <u>AC729926</u> , 2PCG33499 <u>BC729965</u> , 2PCG33491 <u>BC729992</u> , From 2PCG33491BC73 <u>5002</u> up to 2PCG33491CC73 <u>5289</u> incl.
H3-45 Coaches Model Year : 2010 - 2012	<i>EPA 2010 (US10) vehicles.</i> 2PCH33498 <u>AC711573</u> , 2PCH33496 <u>AC711605</u> , 2PCH33495 <u>AC711627</u> , 2PCH33496 <u>AC711636</u> , 2PCH33499 <u>BC711695</u> , From 2PCH33496BC71 <u>1721</u> up to 2PCH33496DC71 <u>2130</u> incl.
This bulletin does not necessarily apply to all the above-mentioned vehicles, some vehicles may have been modified before delivery. The owners of the vehicles affected by this bulletin will be advised by a letter indicating the Vehicle Identification Number (VIN) of each vehicle concerned.	

DESCRIPTION

On the vehicles affected by this bulletin, the addition of an idler pulley is recommended to prevent A/C belt slapping and vibration. This addition will also prevent the belt from slipping off the pulley grooves.

Select idler pulley assembly according to your vehicle, H3 or X3.

MATERIAL

Part No.	Description	Qty
<p>457506</p> 	<p>Idler pulley asm. (X3)</p>	<p>1</p>
<p>457509</p> 	<p>Idler pulley asm (H3)</p>	<p>1</p>
<p>5001741</p>	<p>Cap screw M10</p>	<p>2</p>
<p>5001727</p>	<p>Nut M10</p>	<p>2</p>

NOTE

Material can be obtained through regular channels.

PROCEDURE



DANGER

Park vehicle safely, apply parking brake, stop engine and set battery master switch(es) to the OFF position prior to working on the vehicle.

Select idler pulley assembly according to your vehicle.

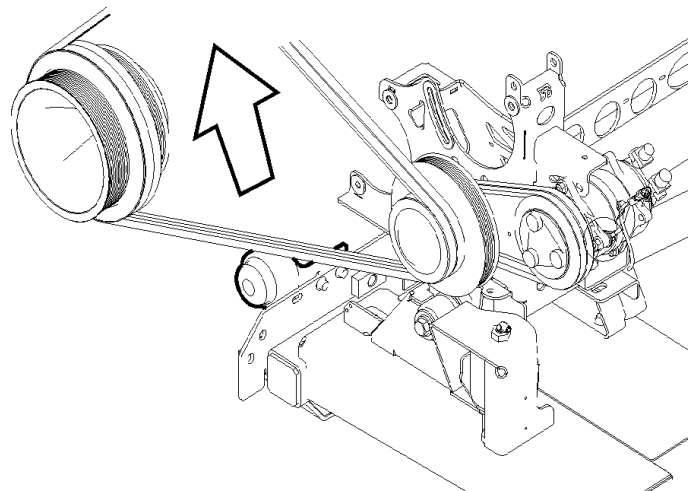
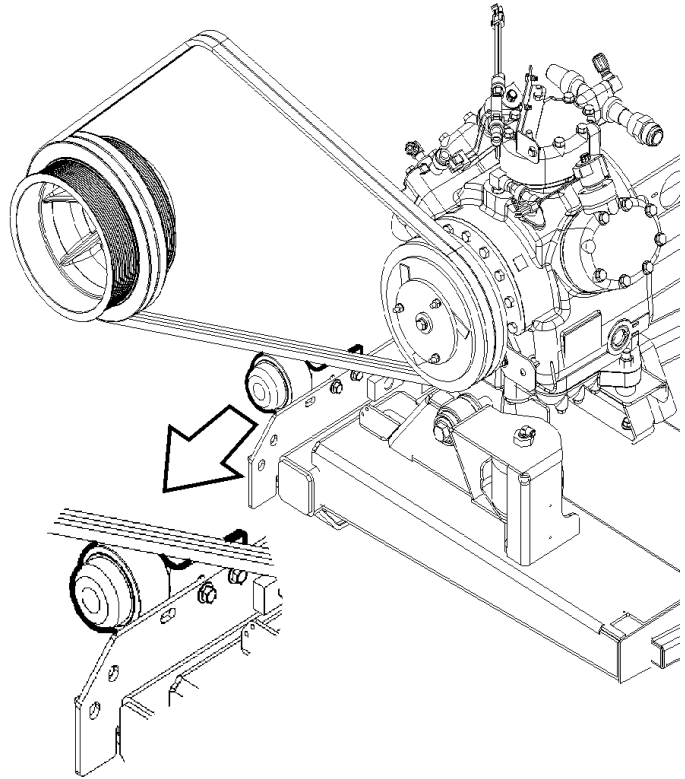
- #457506 for X3-45 and X3 VIP
- #457509 for H3-45 and H3 VIP

Idler pulley assembly is the same with large or small compressors.

1. Install idler pulley assembly with specified M10 hardware. Hand-tighten only.
2. Adjust pulley/belt gap between 0 and 1/16".

Gap is measured with tightened belt.

3. Tighten M10 mounting bolts to 32 lb.-ft.



PARTS / WASTE DISPOSAL

Discard waste according to applicable environmental regulations (Municipal/State[Prov.]/ Federal)

WARRANTY

This modification is covered by Prevost's normal warranty. We will reimburse you the parts and one hour (1.0) of labor upon receipt of the replaced parts and a completed A.F.A. form on which you must specify as per "Warranty Bulletin 12-08".

OTHER

VBC Bulletin	N/A
Fail Code	01.04
Defect Code	09
System Condition	B
Causal Part	5060086