

PREVOST

ENREGISTRÉ - REGISTERED
ISO 9001 & ISO 14001




WARRANTY BULLETIN

WB12-15A

DATE : JULY 2012	SECTION :	04 - Exhaust
EXPIRATION: JULY 2014		
SUBJECT : EXHAUST BELLOWS INSPECTION AND ADJUSTMENT		

REVISION : A THIS WARRANTY BULLETIN SUPERSEDES PREVIOUS VERSION.
Added: Personal protection equipment guidelines.

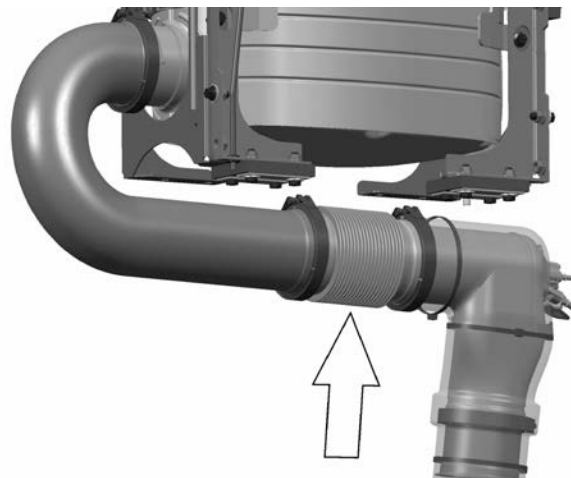
APPLICATION

NOTICE TO SERVICE CENTERS	
Verify vehicle eligibility by checking warranty bulletin status with SAP or Vehicle Warranty Information tool found on PrevoSt-Systems tab of the Volvo Trucks Dealer Portal	
Model	VIN 
H3-45 Coach, H3 VIP Model Year : 2010 - 2012	EPA 2010 (US10) vehicles. 2PCH33498AC711573, 2PCH33496AC711605, 2PCH33495AC711627, 2PCH33496AC711636, 2PCH33499BC711695, From 2PCH33496BC711721 up to 2PCH33499CC712072 incl.
This bulletin does not necessarily apply to all the above-mentioned vehicles, some vehicles may have been modified before delivery. The owners of the vehicles affected by this bulletin will be advised by a letter indicating the Vehicle Identification Number (VIN) of each vehicle concerned.	

DESCRIPTION

On the vehicles affected by this bulletin, inspection of one of the exhaust bellows is required.

If the exhaust bellows offset is not within specific values, a corrective procedure must be performed.



MATERIAL

If required, order the following parts.

Part No.	Description	Qty
040857	Insulating sleeve, "J" pipe	1
040858	Insulating sleeve, Swirl pipe	1
040960	Insulating sleeve, Bellows	1
504737	Cable tie heat stabilized (115°C)	A/R
540072	Exhaust bellows	1
21095726	Gasket, V-clamp	A/R
21021850	V-clamp	A/R
21126692	T3 temp sensor, Swirl pipe	1

NOTE

Material can be obtained through regular channels.

PROCEDURE



DANGER

Park vehicle safely, apply parking brake, stop engine and set battery master switch(es) to the OFF position prior to working on the vehicle.



WARNING

HOT SURFACES

Keep clear of hot Aftertreatment System surfaces. Particularly during and after regeneration, active or stationary. Hot surfaces can cause serious burns.

Make sure Aftertreatment System components are cold before handling.



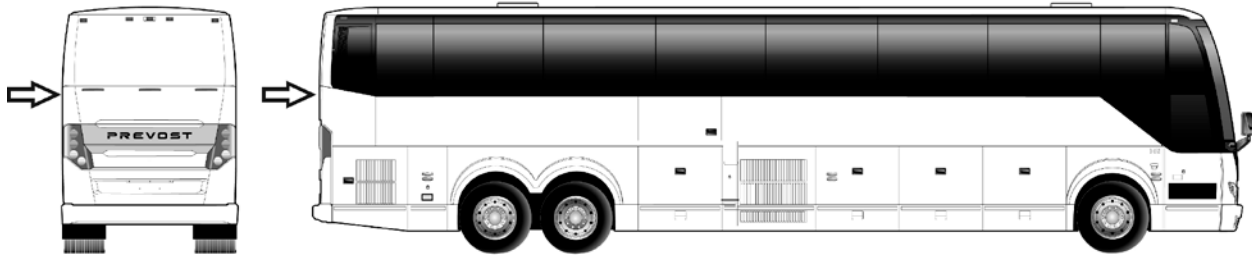
DANGER

Avoid breathing exhaust gases since they contain carbon monoxide which is odorless and colorless but harmful. Carbon monoxide is a dangerous gas that can cause unconsciousness and can be lethal.

WARNING

When handling exhaust insulating sleeves, DPF or any other exhaust component, ensure adequate ventilation, always wear approved eye protection, a properly fitted and suitable respirator to avoid inhalation, long sleeves and leather gloves.

1. Open the Diesel Particulate Filter (DPF) access door.

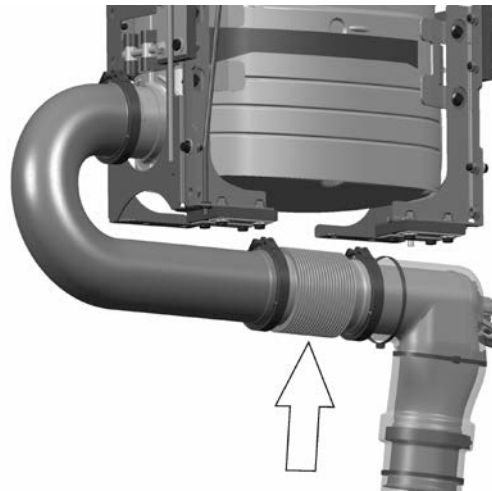


2. Remove the insulating sleeve over the bellows.

In the next steps, we will check bellows offset variation and bellows segment gaps.

If the inspection reveals there is an exhaust leak, replace the bellows and any damaged surrounding parts.

Refer to the material list for part numbers.



3. Place ruler on clamps as shown, on top of bellows clamps. Check bellows vertical gap variation measured left to right.

Maximum gap variation allowed is 1/4".

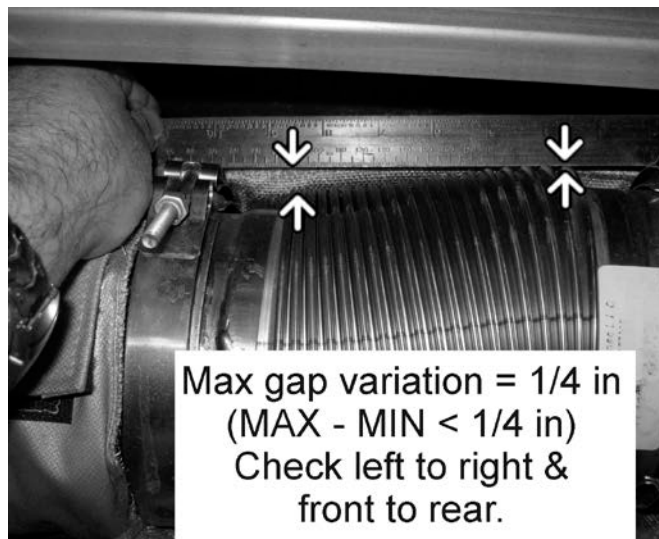
For example:

On the left side we measure 1/2".

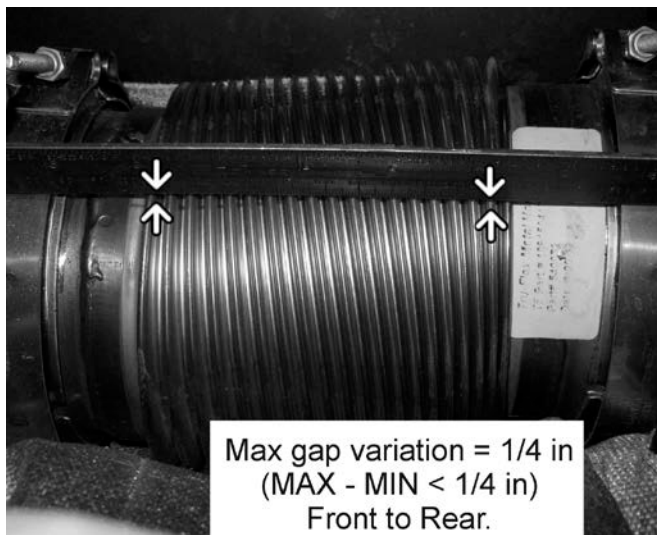
On the right we measure 1/4".

Variation equals to:

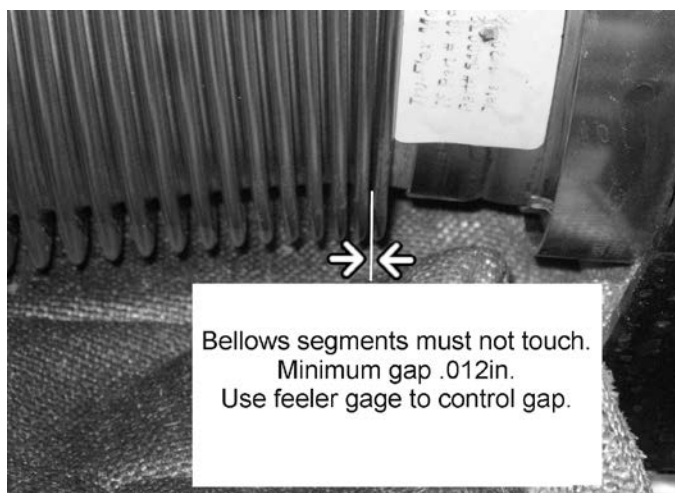
$$1/2" - 1/4" = 1/4"$$



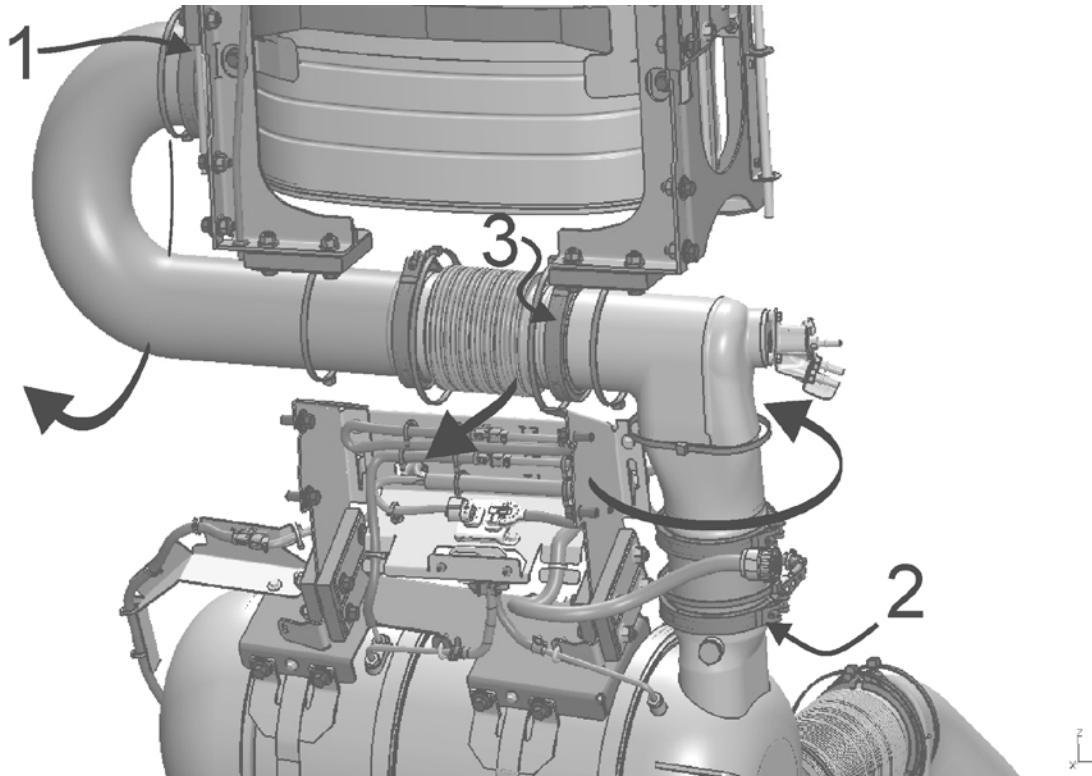
4. Check bellows gap front to rear.
Maximum gap variation allowed is 1/4".



5. Check bellows segment clearance.
Each bellows segment should have a .012 in. clearance.
Measure gap with feeler gage.



6. If bellows offset is not within the prescribed limits. Carry-out this correction.
Slack V-clamps 1, 2 and 3 just enough to allow rotation.
Rotate « J » pipe (1) as shown, towards the back.
Pull bellows (3) towards the back.
Swirl pipe (2) may need to be rotated slightly as shown.

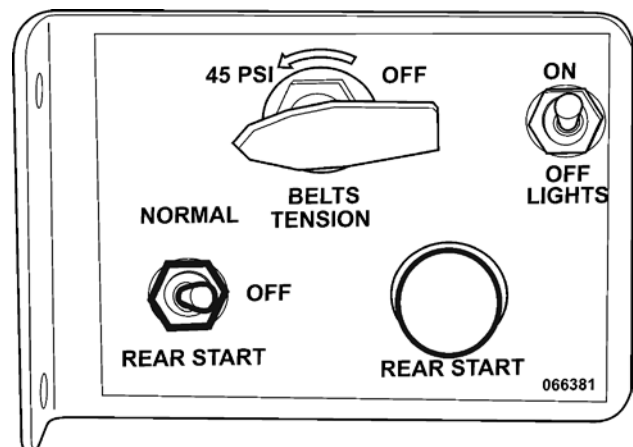


Make sure the DEF connectors on swirl pipe do not touch the bus structure.

Replace any damaged part.

Once bellows offset and segment gap is within limits, tighten V-clamps to 100 lbf-in (8 lbf-ft)

7. Set battery master switch to the ON position.
In a properly ventilated area, activate rear start switch and start the engine.
Confirm all joints are sealed and that there are no exhaust leaks.
Re-install insulating sleeves with cable tie 504737.



PARTS / WASTE DISPOSAL

Return replaced parts to Prevost with A.F.A. for full reimbursement.
Discard waste according to applicable environmental regulations (Municipal/State[Prov.]/ Federal)

WARRANTY

This modification is covered by Prevost's normal warranty. We will reimburse you the parts and one hour hours (1.0) of labor upon receipt of the replaced parts and a completed A.F.A. form on which you must specify as per "Warranty Bulletin WB12-15A".

OTHER

VBC Bulletin	N/A
Fail Code	04.02
Defect Code	09
System Condition	B
Causal Part	540072

*You wish to stop receiving this paper letter and would like to be informed by e-mail of our warranty bulletins?
Just e-mail us at technicalpublications@volvo.com and type "ADD" in the subject.*