

PREVOST

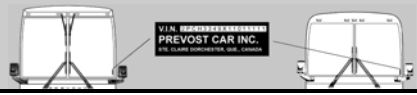
WARRANTY BULLETIN

WB12-41A

DATE : JANUARY 2013	SECTION : 05 - Cooling
EXPIRATION: JANUARY 2015	
SUBJECT : INSTALLATION OF AN AUXILIARY ENGINE COOLANT SURGE TANK	

REVISION : A THIS WARRANTY BULLETIN SUPERSEDES PREVIOUS VERSION.
Range of involved vehicles changed. Range begins with introduction of EPA2010 version vehicles. 2PCH33493AC711626 changed for 2PCH33496BC711721 2PCVS3491AC711629 changed for 2PCVS3494BC711772

APPLICATION

NOTICE TO SERVICE CENTERS	
Verify vehicle eligibility by checking warranty bulletin status with SAP or Vehicle Warranty Information tool found on Prevost-Systems tab of the Volvo Trucks Dealer Portal	
Model	VIN 
H3-41, H3-45 Coaches with stainless steel surge tank Model Year : 2011 - 2013	Vehicle 2PCH33499BC71 1695 and from 2PCH33496BC71 1721 up to 2PCH33492DC71 2187 incl.
H3 VIP Motorhomes with stainless steel surge tank Model Year : 2011 - 2013	From 2PCVS3494BC71 1772 up to 2PCV33490DC71 2188 incl.
This bulletin does not necessarily apply to all the above-mentioned vehicles, some vehicles may have been modified before delivery. The owners of the vehicles affected by this bulletin will be advised by a letter indicating the Vehicle Identification Number (VIN) of each vehicle concerned.	

DESCRIPTION

On the vehicles affected by this bulletin, an auxiliary coolant tank is available. This auxiliary coolant tank will prevent spillage due to expansion when main coolant surge tank is filled with too much coolant.

This warranty bulletin does not apply to vehicles equipped with the plastic surge tank

MATERIAL

H3 SERIES COACHES AND MOTORHOMES EQUIPPED WITH CENTRAL HVAC SYSTEM

Kit #053653 includes the following parts:

Part No.	Description	Qty
053654	HOSE, 80" (2050mm) long	1
053655	HOSE, 24" (600mm) long	1
500261	WASHER, FLAT 3/8" ID x 1 1/2" OD	2
500942	WASHER, LOCK	4
502847	NUT M8-1.25 NYRT	2
502851	NUT M8-1.25 N500	1
504016	NYLON TIE, 14 1/2"	3
504230	CLAMP, HOSE SS .375" x .875"	1
507383	MOUNT, CABLE TIE	3
557067	COOLANT TANK, AUXILIARY	1
5001448	WASHER, FLAT SS18-8 11/32x.875x.062	2
5001736	WASHER, FLAT 8.4mm ID x 18mm OD	3
5001745	SCREW, CAP M8-1.25x25 G8.8	4

H3 VIP MOTORHOMES EQUIPPED WITH SMALL HVAC SYSTEM

Kit #053656 includes the following parts:

Part No.	Description	Qty
053654	HOSE, 80" (2050mm) long	1
053655	HOSE, 24" (600mm) long	1
053657	SUPPORT, AUXILIARY COOLANT TANK	1
500261	WASHER, FLAT 3/8" ID x 1 1/2" OD	4
500942	WASHER, LOCK	1
502847	NUT M8-1.25 NYRT	6
502851	NUT HEX N500 M8-1.25	1
504016	NYLON TIE, 14 1/2"	2
504230	CLAMP HOSE SS/CS 0.375" - 0.875"	1
557067	COOLANT TANK, AUXILIARY H3 VIP	1
507383	MOUNT, CABLE TIE	1
5001448	WASHER, FLAT SS18-8 11/32x.875x.062	2
5001736	WASHER, FLAT 8.4mm ID x 18mm OD	1
5001745	SCREW, CAP M8-1.25x25 G8.8	6

NOTE

Material can be obtained through regular channels.

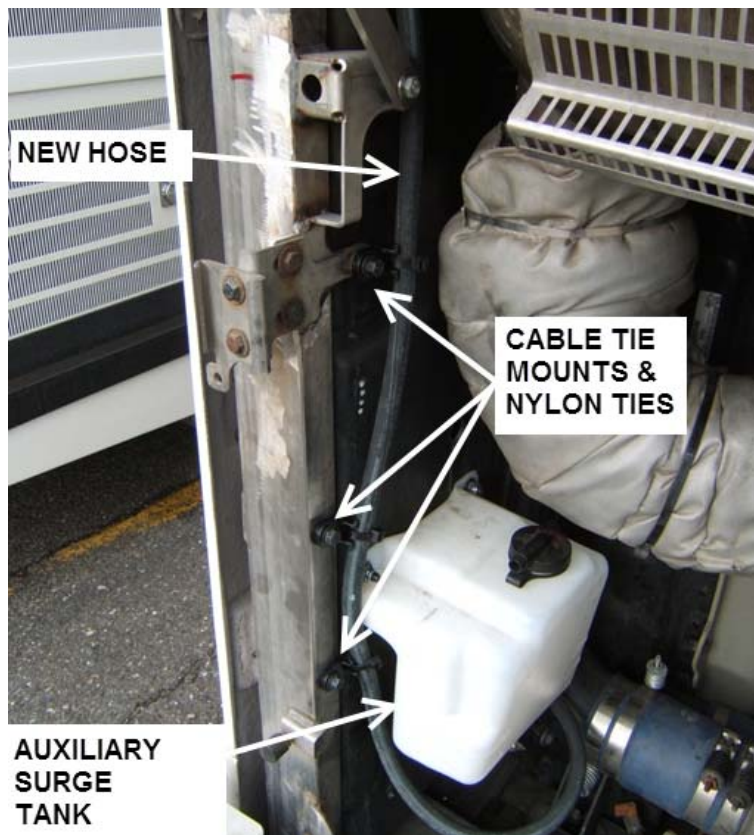
PROCEDURE

H3 SERIES COACHES AND MOTORHOMES EQUIPPED WITH CENTRAL HVAC SYSTEM



DANGER

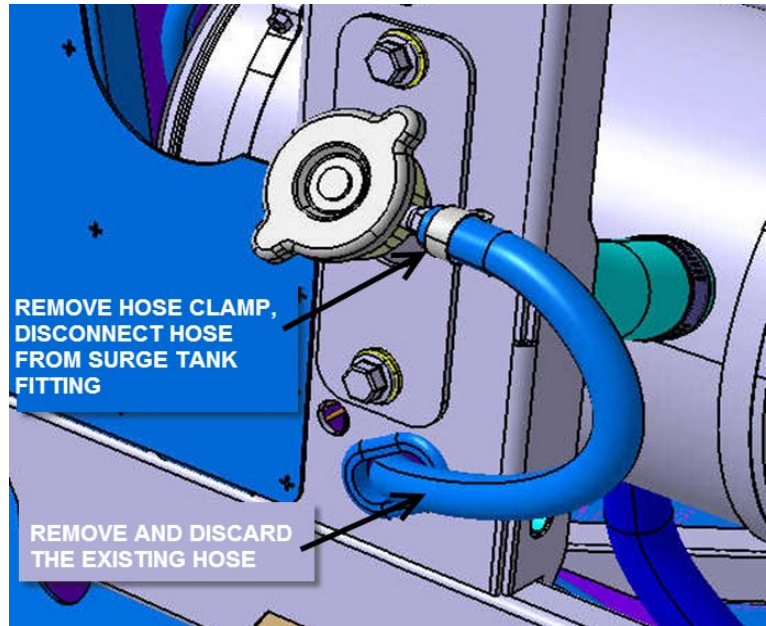
Park vehicle safely, apply parking brake, stop engine and set battery master switch(es) to the OFF position prior to working on the vehicle.



OVERVIEW OF THE NEW INSTALLATION

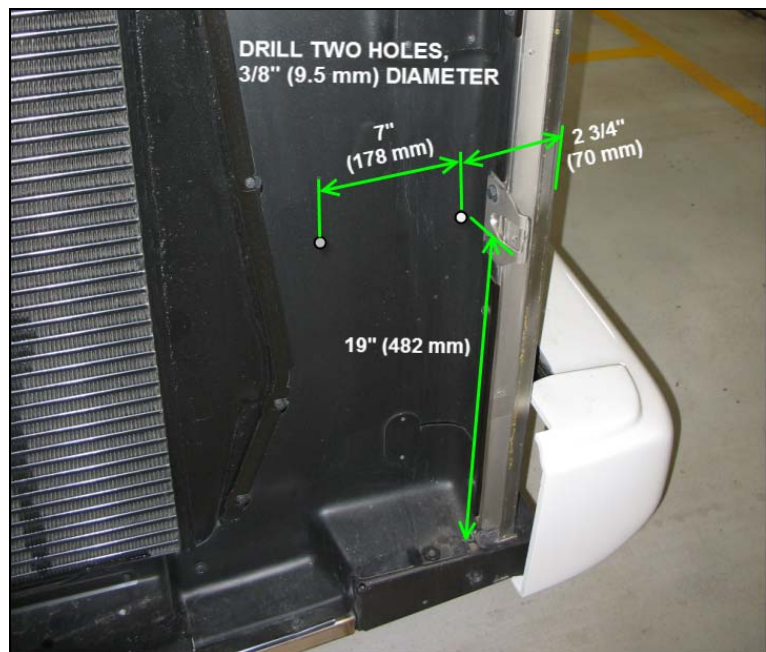
STEP 1

Remove and discard the existing surge tank overflow drain hose and replace with the new hose included in the kit. Route the new hose close to the tank pressure cap as the previous one but do not route the new hose through the hollow vertical post.



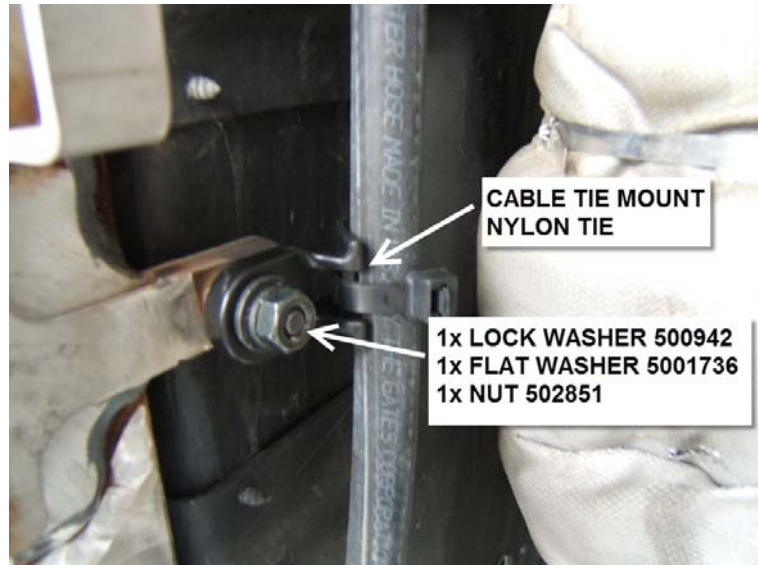
STEP 2

Drill two level holes as shown on the image.



STEP 3

Secure new hose as shown.



STEP 4

Secure new hose as shown.



STEP 5

Secure the auxiliary surge tank using the two holes previous done.



STEP 6

Connect the lower end of the drain hose to the fitting found at the bottom of the auxiliary tank.



STEP 7

Connect the 24" section hose to the auxiliary surge tank cap fitting.

Mount this hose to the cap in order to prevent dirt from entering into the tank through the cap fitting.

STEP 8

Add the appropriate coolant up to the HOT level mark.



PROCEDURE

H3 VIP MOTORHOMES EQUIPPED WITH SMALL HVAC SYSTEM

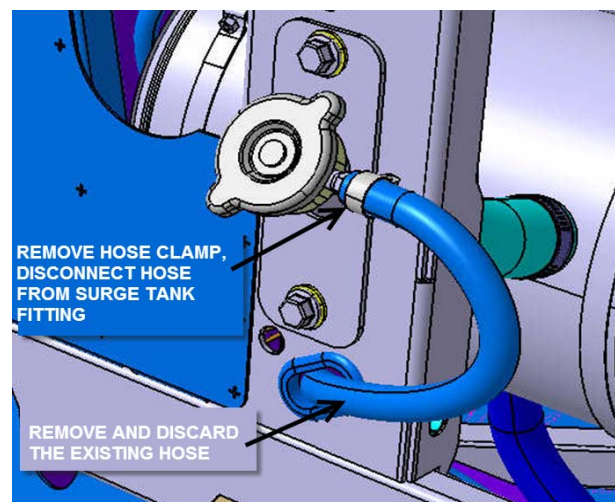


DANGER

Park vehicle safely, apply parking brake, stop engine and set battery master switch(es) to the OFF position prior to working on the vehicle.

STEP 1

Remove and discard the existing surge tank overflow drain hose and replace with the new hose included in the kit. Route the new hose close to the tank pressure cap as the previous one but do not route the new hose through the hollow vertical post.



STEP 2

Determine the most appropriate place next to the cooling pack where you will install the auxiliary surge tank and support.

Keep this new installation clear from surrounding components.

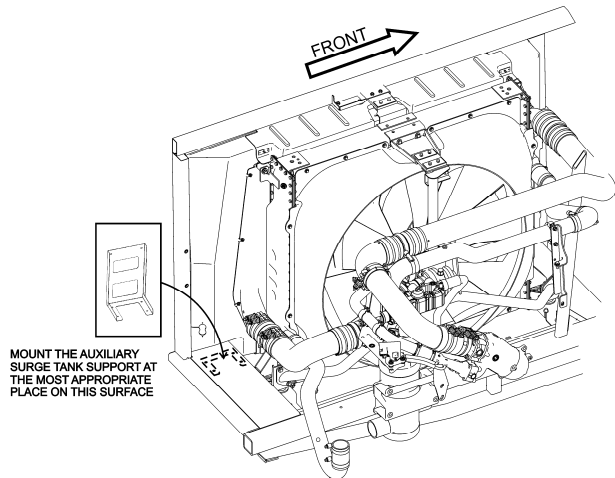
Using the support as reference, drill four (4) holes of 3/8" diameter (9.5mm) in order to fix the support base.

Fix support using the following fasteners:

4x cap screw #5001745

4x flat washer #500261

4x nut #502847



STEP 3

Secure new hose as shown. Use the following fasteners:

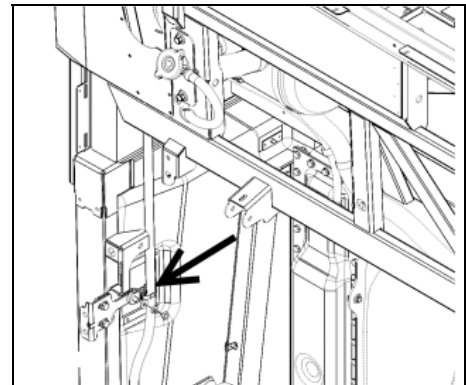
1x nylon tie #504016

1x cable tie mount #507383

1x flat washer #5001736

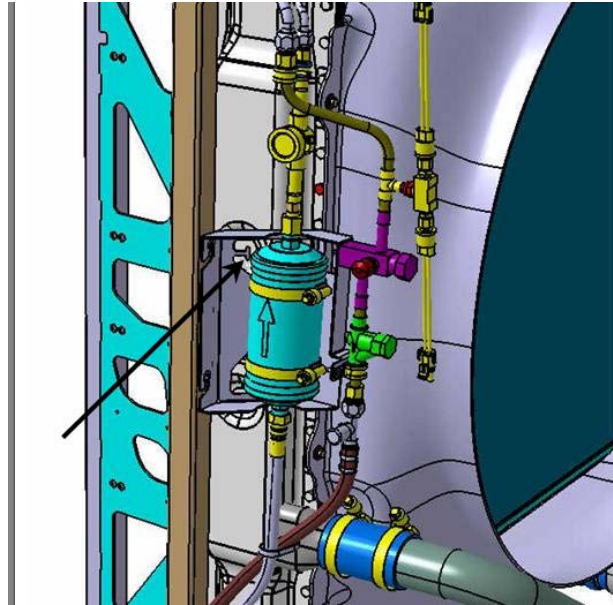
1x lock washer #500942

1x nut #502851



STEP 4

Secure new hose with a nylon tie on the nylon tie attachment bracket (indicated with arrow) found on the A/C filter-dryer support.



STEP 5

Mount the auxiliary surge tank onto the support using the following fasteners:

- 2x cap screw #5001745
- 2x flat washer #5001448
- 2x nut #502847

STEP 6

Connect the lower end of the drain hose to the fitting found at the bottom of the auxiliary tank.



STEP 7

Connect the 24" section hose to the auxiliary surge tank cap fitting.

Mount this hose to the cap in order to prevent dirt from entering into the tank through the cap fitting.

STEP 8

Add the appropriate coolant up to the HOT level mark.



PARTS / WASTE DISPOSAL

Discard waste according to applicable environmental regulations (Municipal/State[Prov.]/ Federal)

WARRANTY

This modification is covered by Prevo's normal warranty. We will reimburse you the parts and ¾ of hour (0.75) of labor upon receipt of a completed A.F.A. form on which you must specify as per "Warranty Bulletin 12-41".

OTHER

VBC Bulletin	n-a
Fail Code	05-07
Defect Code	09
System Condition	B
Causal Part	053602

*You wish to stop receiving this letter and would like to be informed by e-mail of our warranty bulletins?
Just e-mail us at technicalpublications@volvo.com and type "ADD" in the subject.*