

PREVOST


**WARRANTY
BULLETIN**

WB13-55A

DATE :	AUGUST 2013	SECTION :	05 - Cooling
EXPIRATION:	AUGUST 2015		
SUBJECT :	WELD INSPECTION ON TRIPOD FAN SUPPORT		

REVISION A THIS WARRANTY BULLETIN SUPERSEDES PREVIOUS VERSION.
Synchronized application box with SAP.

APPLICATION

<i>NOTICE TO SERVICE CENTERS</i>	
<i>Verify vehicle eligibility by checking warranty bulletin status with SAP or Vehicle Warranty Information tool found on Prevost–Systems tab of the Volvo Trucks Dealer Portal</i>	
Model	VIN 
H3-41, H3-45 coaches Model Year : 2013 - 2014	From 2PCH33490DC71 <u>2379</u> up to 2PCH33498EC71 <u>2454</u> incl.
H3-41 VIP, H3-45 VIP Motorhomes Model Year : 2013	Single Vehicles: 2PCV33490DC71 <u>2384</u> , 2PCVS3499DC71 <u>2399</u> 2PCVS3498DC71 <u>2412</u> , 2PCVS3499DC71 <u>2452</u>
XLII-45 Entertainer, X3-45 VIP motorhomes Model Year : 2013	Single Vehicles: 2PCYS3499DC73 <u>5453</u> , 2PCBS3493DC73 <u>5454</u> 2PCBS3497DC73 <u>5456</u> , 2PCY3349XDC73 <u>5457</u> 2PCBS3490DC73 <u>5458</u> , 2PCY33491DC73 <u>5461</u> 2PCYS3490DC73 <u>5468</u> , 2PCY33499DC73 <u>5479</u>
X3-45 coaches Model Year : 2013, 2014	From 2PCG33491DC73 <u>5424</u> up to 2PCG33490 <u>EC735481</u> incl.
<p>This bulletin does not necessarily apply to all the above-mentioned vehicles, some vehicles may have been modified before delivery. The owners of the vehicles affected by this bulletin will be advised by a letter indicating the Vehicle Identification Number (VIN) of each vehicle concerned.</p>	

DESCRIPTION

On the vehicles affected by this bulletin, the upper support of the tripod fan support must be inspected for the presence of weld. If no weld is found, it must be replaced.

MATERIAL

If required, order the following part:

Part No.	Description	Qty
053024	TRIPOD UPPER SUPPORT	1

Other parts that may be required

Part No.	Description	Qty
RADIATOR SIDE HARDWARE:		
5001745	SCREW M8 X 1.25 X 25 G8.8	2
500942	LOCK WASHER	2
500332	FLAT WASHER	2
FLEXIBLE LINK HARDWARE		
5001738	SCREW M8 X 1.25 X 30 G8.8	2
502837	STOVER NUT	2
CABLE SUPPORT		
504637	CABLE TIE	2
H3 VIP EXHAUST		
21095726	GASKET, EXHAUST PIPE, 5 INCH	2
21021850	CLAMP, V-BAND 5 INCH	2
5001727	NUT, HEX STOVER M10-1.5	1

NOTE

Material can be obtained through regular channels.

PROCEDURE

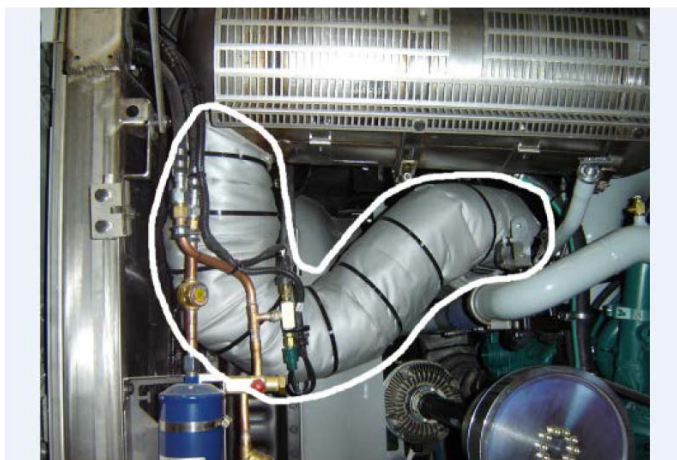


Park vehicle safely, apply parking brake, stop engine and set battery master switch(es) to the OFF position prior to working on the vehicle.

1. **H3 SERIES COACHES.** Gain access to the tripod upper support. Access is possible through the engine access hatch located at the rear end of the passengers' alley.
2. **X3 SERIES COACHES, X3 VIP MOTORHOMES, XLII ENTERTAINERS.** Gain access to the tripod upper support, from the rear left engine compartment door.

3. **H3 VIP MOTORHOMES.** The section of the exhaust pipe located between the DPF and the flexible section above the turbo must be removed to gain access to the tripod upper support.

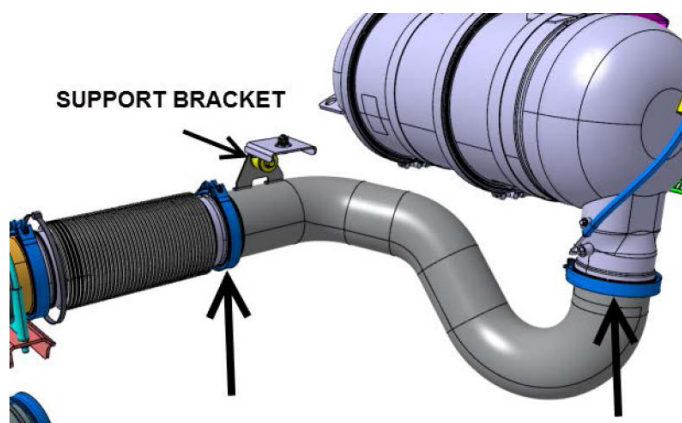
a. Clear the two (2) V-band clamps hidden under the insulating blanket at the junction with the DPF and at the junction with the exhaust flexible section.



b. Undo the two (2) V-band clamps identified on the image.

c. Unscrew the nut at the support bracket.

d. Remove this section of exhaust pipe.

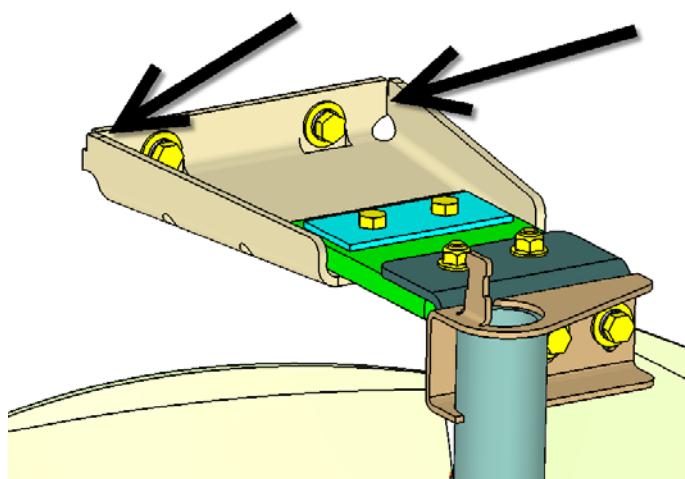


ALL MODELS:

4. Use a telescopic mirror to inspect the support.

5. If there is no weld at the indicated locations, replace 053024.

Prior to removal, perform step below



ALL MODELS:

6. Choose and mark one fan blade. Measure and write down distance between edge of fan shroud and tip of blade.

MEASURE:

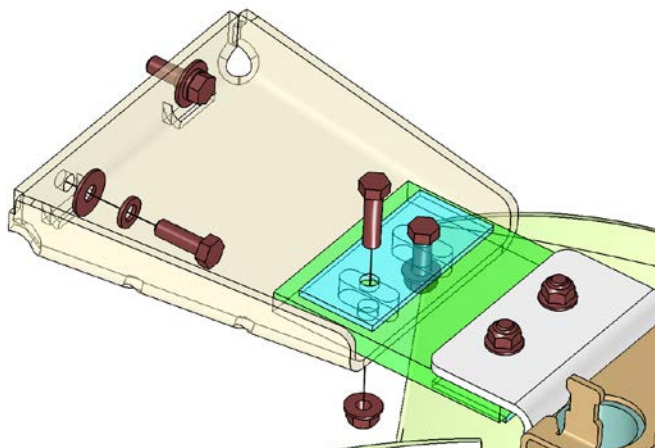


This measure will be used to reposition the fan correctly.



ALL MODELS:

7. Remove defective support and discard. Reserve hardware for re-use. Replace any hardware missing, corroded or damaged.
8. Install new #053024 part and make sure fan returns to original position by placing fan blade tip to the measurement taken previously.



RADIATOR SIDE HARDWARE:

5001745 SCREW M8 G8.8 QTY 2

(torque 16 lbf-ft)

500942 LOCK WASHER QTY 2

500332 FLAT WASHER QTY 2

FLEXIBLE LINK HARDWARE:

5001738 SCREW QTY 2

502837 STOVER NUT QTY 2

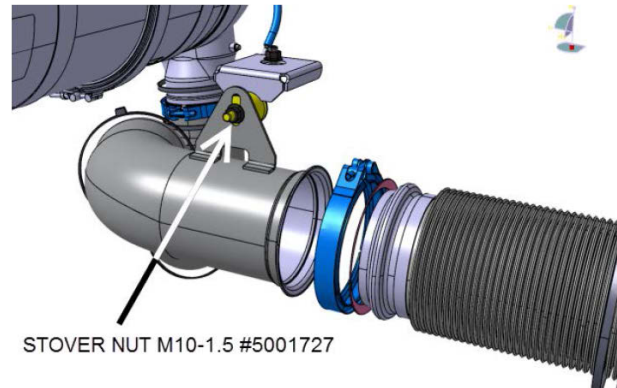
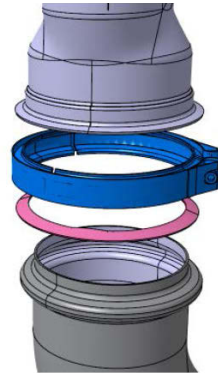
CABLE SUPPORT

504637 TIE CABLE QTY 2

9. **H3 VIP MOTORHOMES..** Reinstall the exhaust pipe.

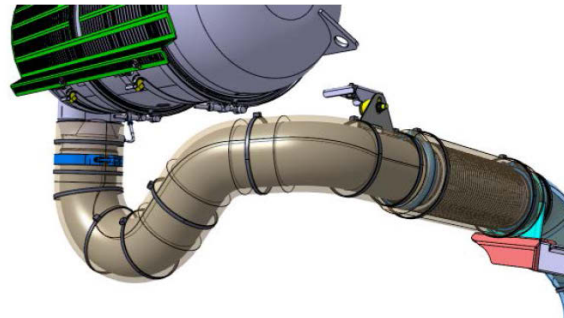
Use:

- 2 new exhaust gaskets #21095726
- 2 new V-band clamps #21021850 (torque 100 lbf-inch)
- 1 new Stover nut M10-1.5 #5001727 (torque 32 lbf-ft)



10. **H3 VIP MOTORHOMES..** Start the engine and check for exhaust leaks.

11. **H3 VIP MOTORHOMES..** Cover the V-band clamps with insulating blanket. Use nylon ties to secure the insulating blanket.



PARTS / WASTE DISPOSAL

Return replaced parts to Prevest with A.F.A. for full reimbursement.
Discard waste according to applicable environmental regulations (Municipal/State[Prov.]/ Federal)

WARRANTY

This modification is covered by Prevost's normal warranty. We will reimburse you the parts and labor as follows:

X3-45 coaches, X3-45 VIP converted shells, XLII Entertainer: 1/4 hour (15 min) of labor *for inspection only* or 3/4 hour (45 min) of labor *for inspection and replacement* upon receipt of a completed A.F.A. form on which you must specify as per "Warranty Bulletin WB13-55".

H3 Series coaches, H3 VIP converted shells: 1/2 hour (30 minute) *for inspection only* or 1 3/4 hour (1h 45min) of labor *for inspection and replacement* upon receipt of a completed A.F.A. form on which you must specify as per "Warranty Bulletin WB13-55".

OTHER

VBC Bulletin	N/A
Fail Code	05.06
Defect Code	09
System Condition	B
Causal Part	053024

Access all our Service Bulletins on
<http://prevostparts.volvo.com/technicalpublicatios/en/pub.asp>
Or scan the QR-Code with your smart phone.

E-mail us at technicalpublications_prev@volvo.com and type
"ADD" in the subject to receive our warranty bulletins by e-mail.

