

PREVOST


**WARRANTY
BULLETIN**

WB13-64B

DATE :	OCTOBER 2013	SECTION :	04 - Exhaust
EXPIRATION:	OCTOBER 2015		
SUBJECT :	EXHAUST GAS DIFFUSER INSPECTION		

REVISION B: ADDITION OF XLII-45 ENTERTAINER IN APPLICATION. THIS WARRANTY BULLETIN SUPERSEDES PREVIOUS VERSION.

APPLICATION


NOTICE TO SERVICE CENTERS <i>Verify vehicle eligibility by checking warranty bulletin status with SAP or via ONLINE WARRANTY SYSTEM available on Service / Warranty tab of Prevost website.</i>	
Model	VIN 
X3-45 coaches With Detroit S60 engine Model Year : 2008 - 2009	Specific vehicles in range below: From 2PCG334908C72 <u>9426</u> up to 2PCG334959C72 <u>9794</u> incl. Refer to SAP for details.
XLII-45 Entertainer With Detroit S60 engine Model Year : 2008 - 2009	From 2PCY334928C72 <u>9187</u> up to 2PCY334919C72 <u>9702</u> incl.
This bulletin does not necessarily apply to all the above-mentioned vehicles, some vehicles may have been modified before delivery. The owners of the vehicles affected by this bulletin will be advised by a letter indicating the Vehicle Identification Number (VIN) of each vehicle concerned.	

DESCRIPTION

On the vehicles affected by this bulletin, an inspection of the exhaust gas diffuser is necessary. Refer to Part 1 of this bulletin for the inspection procedure.

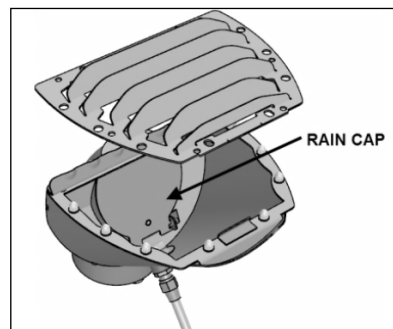
If the inspection procedure reveals that the diffuser rain cap is not functioning properly, replace the diffuser assembly (see Part 2).

PART 1 - INSPECTION

 DANGER
Park vehicle safely, apply parking brake, stop engine and set battery master switch(es) to the OFF position prior to working on the vehicle.

1. While keeping the diffuser louvered grille fastened, check for proper functioning of the rain cap inside the diffuser housing, make sure that it moves freely and seals the exhaust pipe properly. If this is not the case, have the diffuser assembly replaced.

If the rain cap works properly then no additional inspection or repair is needed.



PART 2 - REPLACEMENT

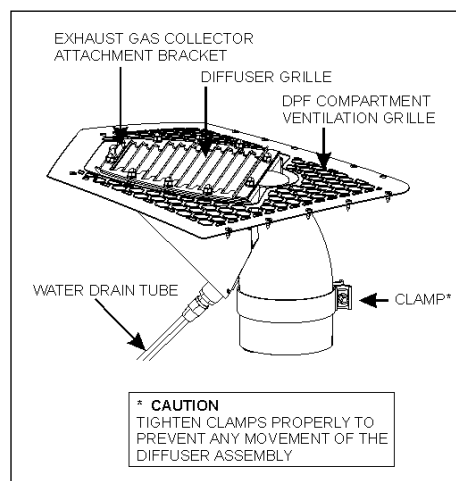
Order the following parts:

Part No	Description	Qty
21603076	DIFFUSER ASSEMBLY	1
540067	CLAMP, HOLDING	1
5001684	NUT, CAP	10
502573	WASHER, FLAT	10

NOTE

Material can be obtained through regular channels.

1. Open Diesel Particulate Filter (DPF) compartment access door.
2. Unfasten drain pipe fitting from diffuser assembly.
3. Remove diffuser holding clamp located above diesel particulate filter.
4. Remove the current diffuser assembly. It may be necessary to remove the DPF compartment ventilation grille in order to remove the diffuser assembly.
5. Recover diffuser louvered grille and install on the new diffuser assembly using flat washers #502573 and new cap nuts #5001684.



NOTE

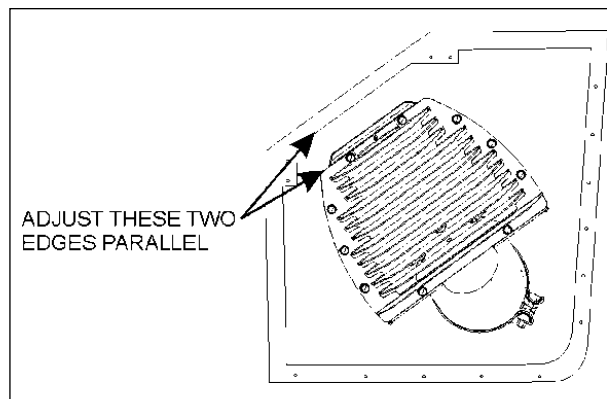
Always use anti-seize compound on diffuser fasteners.



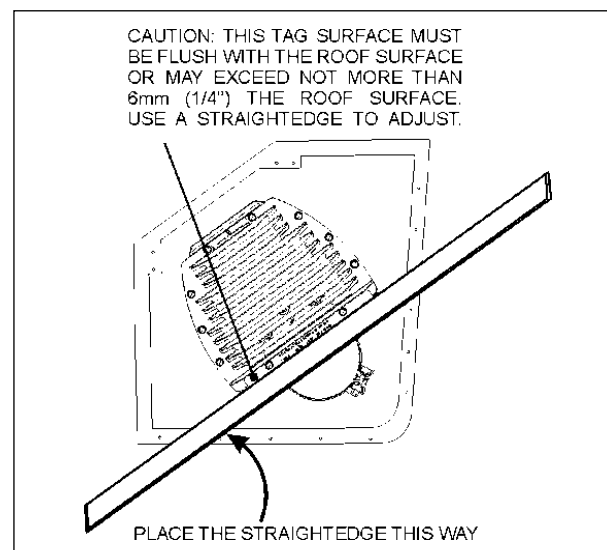
CAUTION

To prevent damages caused by hot exhaust gases to the surrounding area, the diffuser grille must be flush with the roof surface or may not exceed the roof surface more than 1/4in (6mm).

6. Install new diffuser assembly but do not tighten holding clamp.
7. For proper angular position, make sure that the two edges shown are parallel with each other.



8. Using a straightedge, adjust the diffuser assembly level. The top surface of the tag fixed on the diffuser louvered grille must be flush with the roof surface or may exceed about 1/4in (6mm). Place the straightedge as shown on the image on the right.



9. Secure diffuser assembly using holding clamp #540067. Tighten clamps properly in order to prevent any movement of the diffuser assembly. An impact wrench is necessary.
10. Reconnect drain pipe to diffuser using pipe fitting.
11. Reinstall the DPF compartment ventilation grille. Apply Sika 221 on the mounting screws.

PARTS / WASTE DISPOSAL

All replaced parts must be returned to Prevost according to the Return Shipping Instructions available on <https://www.prevostcar.com/content/warranty-documents> for full reimbursement. A copy of the warranty claim form must be enclosed with the shipment.

Discard waste according to applicable environmental regulations (Municipal/State[Prov.]/ Federal)

WARRANTY

INSPECTION ONLY -This inspection is covered by Prevost's normal warranty. We will reimburse ¼ hour(s) (0.25) of labor upon receipt of a warranty claim. Please submit claim via our Online Warranty System, available at www.prevostcar.com (under Service \ Warranty section). Use Claim Type: "Bulletin/Recall" and select "Warranty Bulletin WB13-64B".

INSPECTION AND REPLACEMENT - This repair is covered by Prevost's normal warranty. We will reimburse you the parts and one hour(s) (1.0) of labor for the inspection and the replacement upon receipt of a warranty claim. Please submit claim via our Online Warranty System, available at www.prevostcar.com (under Service \ Warranty section). Use Claim Type: "Bulletin/Recall" and select "Warranty Bulletin WB13-64B".

OTHER

VBC Bulletin	n/a
Fail Code	04-04
Defect Code	09
Syst.Cond.	B
Causal Part	040719

Access all our Service Bulletins on
<http://prevostparts.volvo.com/technicalpublications/en/pub.asp>
or scan the QR-Code with your smart phone.

E-mail us at technicalpublications_prev@volvo.com and type
"ADD" in the subject to receive our warranty bulletins by e-mail.

