


# PREVOST

## WARRANTY BULLETIN

**WB14-03**

DATE :	APRIL 2014	SECTION :	06 - Electrical
EXPIRATION:	APRIL 2016		
SUBJECT :	BATTERIES BOX COVER REPLACEMENT		

### APPLICATION

<b>NOTICE TO SERVICE CENTERS</b>	
<i>Verify vehicle eligibility by checking warranty bulletin status with <b>SAP</b> or via <b>ONLINE WARRANTY SYSTEM</b> available on Service / Warranty tab of Prevost website.</i>	
Model	VIN 
X3-45 coaches Model Year : 2011 - 2013	From 2PCG33491 <u>B</u> C72 <u>9992</u> up to 2PCG33494 <u>D</u> C73 <u>5451</u> incl.
<p><b>This bulletin does not necessarily apply to all the above-mentioned vehicles, some vehicles may have been modified before delivery. The owners of the vehicles affected by this bulletin will be advised by a letter indicating the Vehicle Identification Number (VIN) of each vehicle concerned.</b></p>	

### DESCRIPTION

On the vehicles affected by this bulletin, a new center mount battery box cover offering better overall sealing and simplified installation is available and may be installed at next service occasion.

The procedure below lists the steps required to perform this modification.

### MATERIAL

Kit #068875 includes the following parts:

Part No.	Description	Qty
068704	Flat washer, Rod Cover Battery Box	1
068765	Wing Nut, 3/8-16	1
068858	Battery Box Cover Assembly	1
068867	Rod, Battery Box Cover	1
500702	Nut Hex NYRT SS 3/8-16	1

Other parts that may be required:

Part No	Description	Qty
068881	Drilling Template	1

**NOTE**

Material can be obtained through regular channels.

## PROCEDURE



### DANGER

Park vehicle safely, apply parking brake, stop engine and **set battery master switch(es) to the OFF position** prior to working on the vehicle.

1. In the vehicle right engine compartment, locate the battery box and remove the box cover (Fig.1).

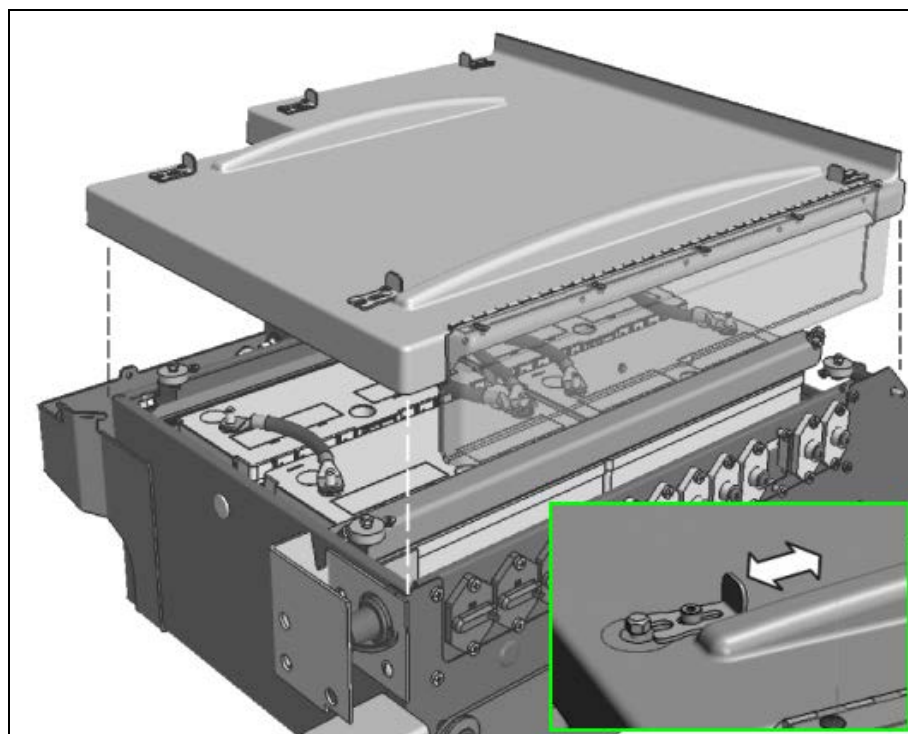


Fig.1 Removal of the five(5) latches cover.

2. Disconnect the four (4) vehicle batteries.



### CAUTION

The negative (ground) cables must be disconnected first.

3. Remove the two (2) bars that maintain the batteries to the battery box (4 nuts Fig.2).

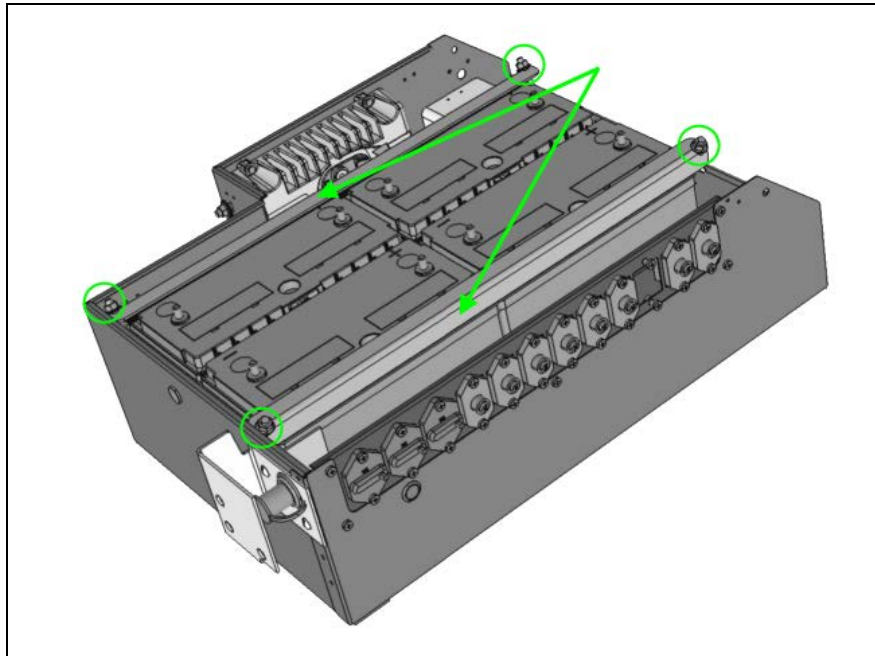


Fig.2 Retaining bars and hex nuts.

4. Remove the batteries from the vehicle.



### CAUTION

To prevent electrolyte leakage, do not tip battery by more than 45° when carrying or installing the battery.

5. Remove the four (4) bars hold-down rods (Fig.3).

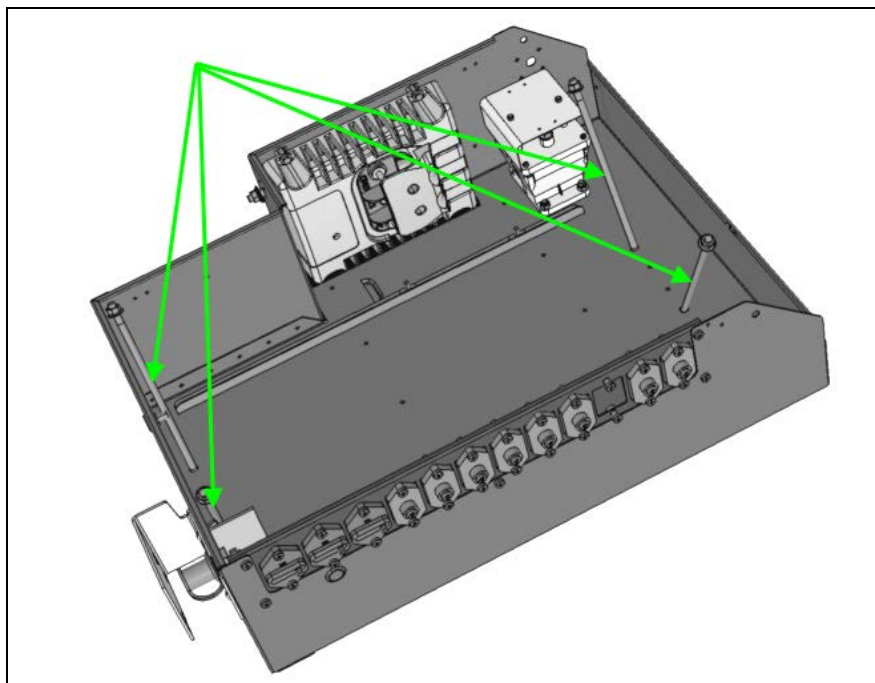


Fig.3 Retaining rods.

- Position the drilling template at the bottom of the battery box using the hold-down rods holes (Fig.4).

**NOTE: The drilling template is designed with a foolproof tab and can not be installed backward.**

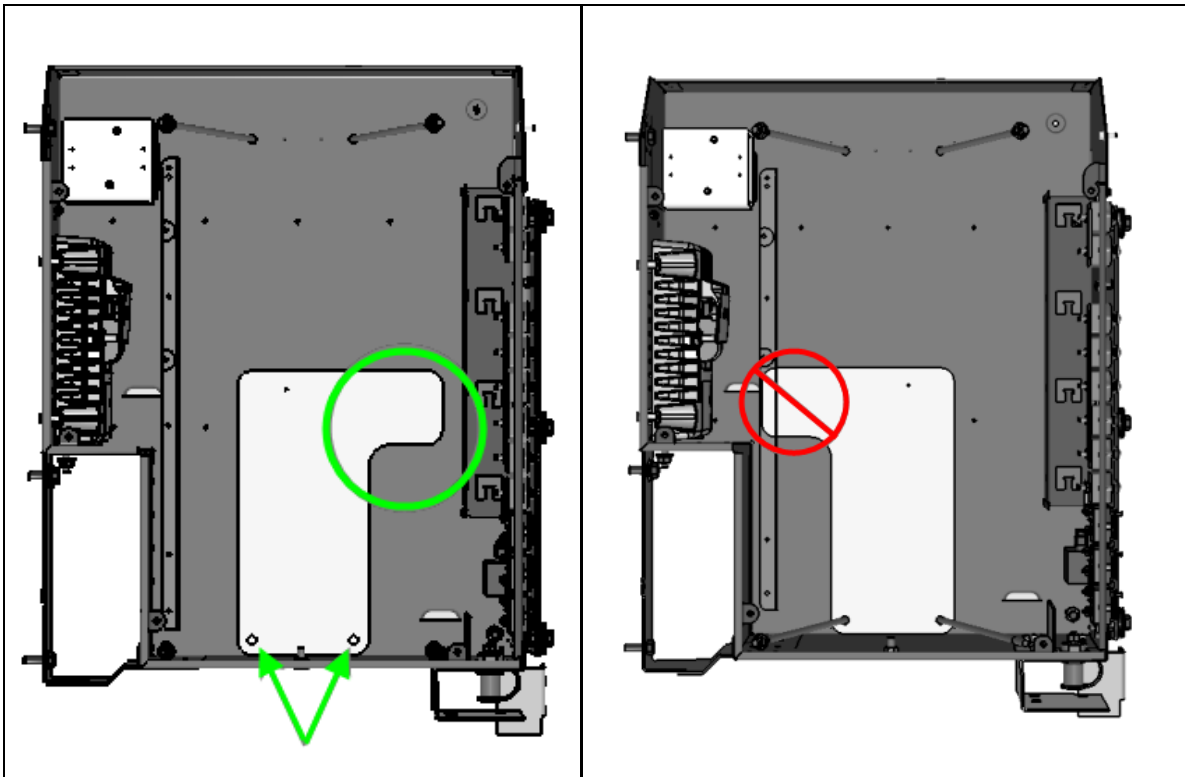


Fig.4 Correctly positioned drilling template shown on the left.

- With the drilling template installed, drill through the box bottom using a 3/8po or 10mm drill bit (Fig.5).

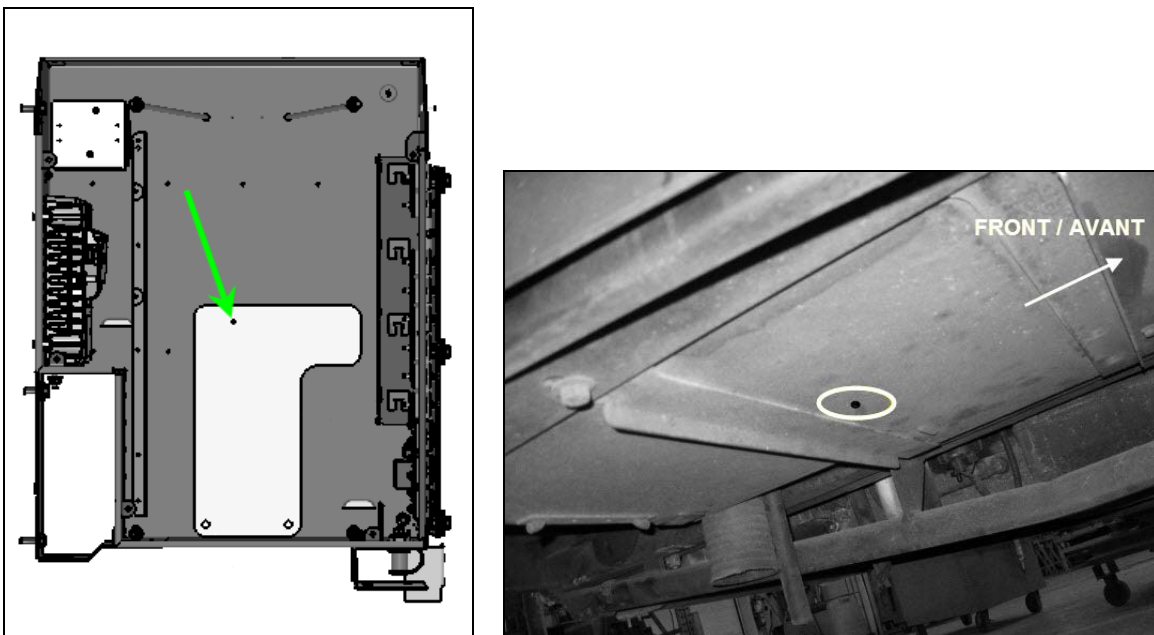
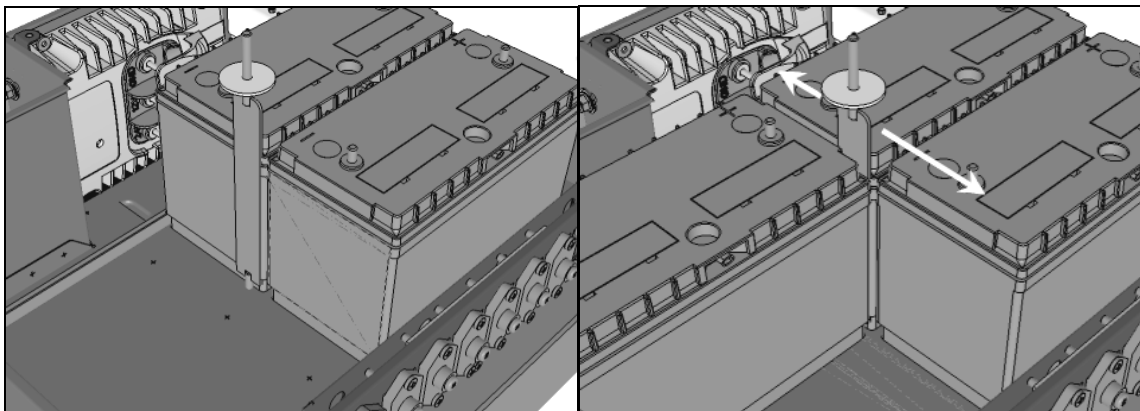


Fig.5 Drilling position viewed from top (Left) and bottom (Right) of the vehicle.

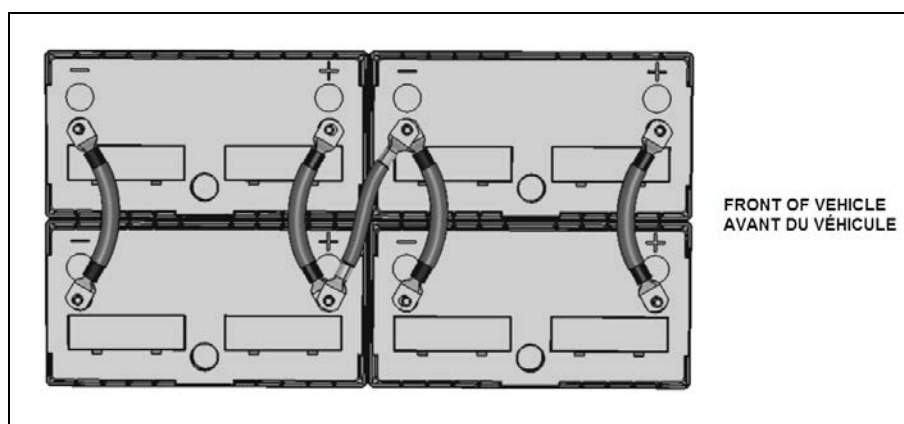
8. Remove the drilling template.
9. Install the new battery box cover rod (068867) at the bottom of the box. From the vehicle underside, hand tight the rod using the supplied 3-8-16 hex nut (500702) and the flat washer (068704).

**NOTE: The rod flat section must be positioned along the width of the box (Fig.6)**



**Fig.6 Battery box cover rod correct positioning.**

10. With the rod correctly positioned, torque down the 3/8-16 hex nut to 30 ft-lb (40 Nm).
11. Reinstall the four (4) bars hold-down rods (Fig.3).
12. Reinstall the batteries following Fig.7 below.



**Fig.7 Positioning of the batteries in the battery box (positive and negative terminals)**

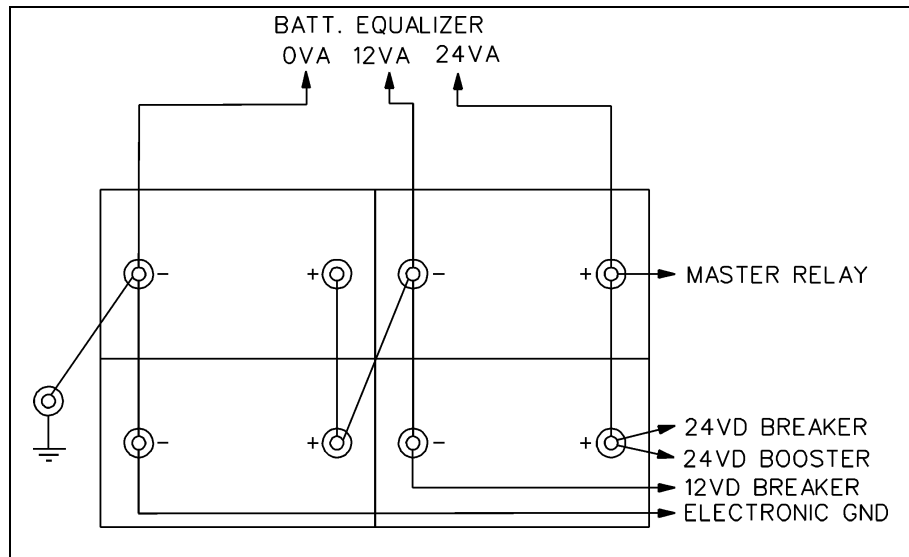
13. Secure the batteries in the box with the two (2) hold-down bars.
14. Reconnect the batteries following Fig.8 below.



## **CAUTION**

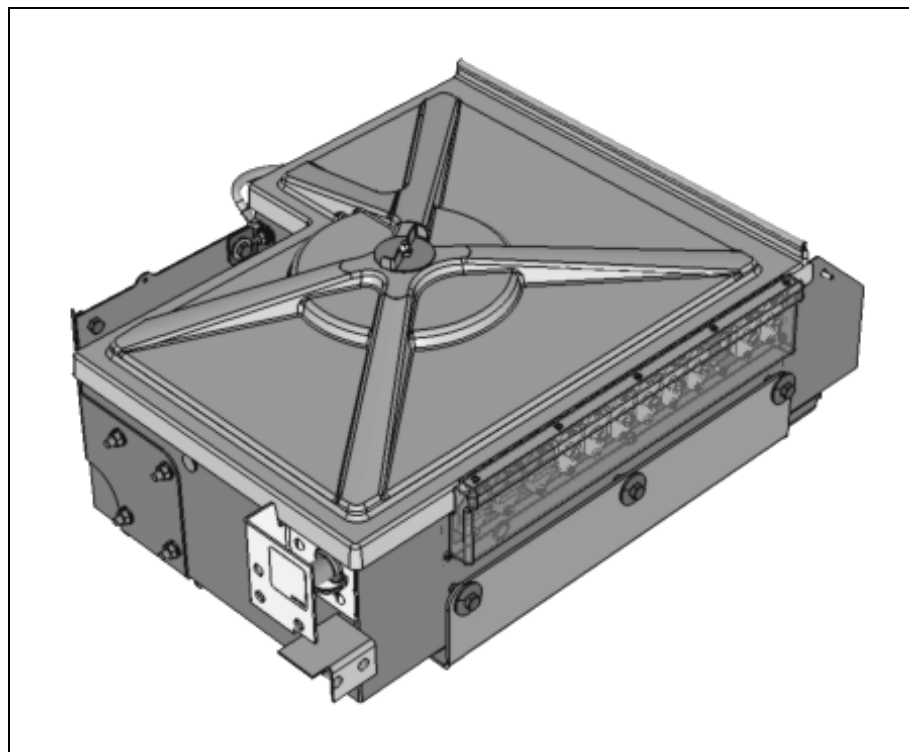
The positive (power) cables must be connected first.

**NOTE: When reinstalling batteries, battery connections must be tightened to 13-15 lb-ft (18-20 Nm).**



**Fig.8 Batteries installation and connexion.**

15. Install and tighten the new battery box cover (068858) using the provided wing nut (068765), check for proper fitting of the assembly (Fig.9).



**Fig.9 New cover installed**

16. Set the battery master switch to the RUN (ON) position and start the vehicle.

## PARTS / WASTE DISPOSAL

DO NOT RETURN THE REPLACED PARTS. Discard waste according to applicable environmental regulations (Municipal/State[Prov.]/ Federal)

## WARRANTY

This modification is covered by Prevo's normal warranty. We will reimburse you the parts and one hour (1.0) of labor upon receipt of a warranty claim. Please submit claim via our Online Warranty System, available at [www.prevo.com](http://www.prevo.com) (under Service \ Warranty section). Use Claim Type: "Bulletin/Recall" and select "Warranty Bulletin WB14-03".

## OTHER

VBC Bulletin	N/A
Fail Code	06.11
Defect Code	09
Syst.Cond.	B
Causal Part	068233

Access all our Service Bulletins on  
<http://prevo.com/technicalpublications/en/pub.asp>  
or scan the QR-Code with your smart phone.

E-mail us at [technicalpublications\\_prev@prevo.com](mailto:technicalpublications_prev@prevo.com) and type  
"ADD" in the subject to receive our warranty bulletins by e-mail.

