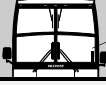

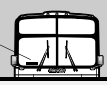


PREVOST

Warranty Bulletin

95-25

Date: **June 1995**
 Section: **22**
 Subject: **A/C BELT TENSIONNER PULLEY - CENTRAL A/C SYSTEM**
 Application:

Model	VIN	  
H3 Series vehicles with Series 60 engine and central A/C system	From 2P9H33402P1001256 to 2P9H33415S1001222 incl.	
XL Series vehicles with Series 60 engine and central A/C system	From 2P9M33498P1001646 to 2P9M33491S1001576 incl.	

DESCRIPTION

On some of the above-mentioned vehicles, it is possible that a bolt on A/C belt tensionner pulley does not have a good torque. Therefore, you should make the modification described in the following procedure.

MATERIAL

Part No.	Description	Qty
452276	Alignment washer	1

Note: Material can be obtained through regular channels.

PROCEDURE

Warning: Park vehicle safely, apply parking brake, stop engine and set battery master switch(es) to the OFF position prior to working on the vehicle.

1. Open engine compartment door(s).
2. Release pressure from air bellows by means of belt tensioning pressure control valve. This valve is mounted in engine compartment: near the auxiliary oil tank on H3 series vehicles and above the engine doors on XL series vehicles. This valve is manually adjustable.

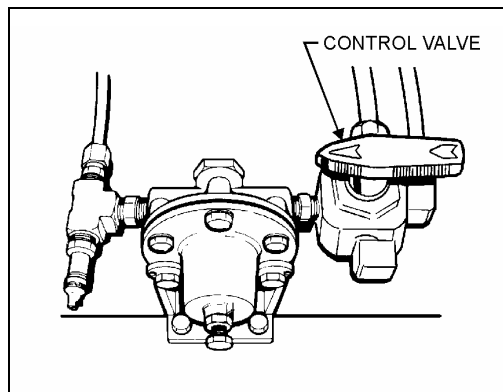


FIGURE 1: CONTROL VALVE

12018

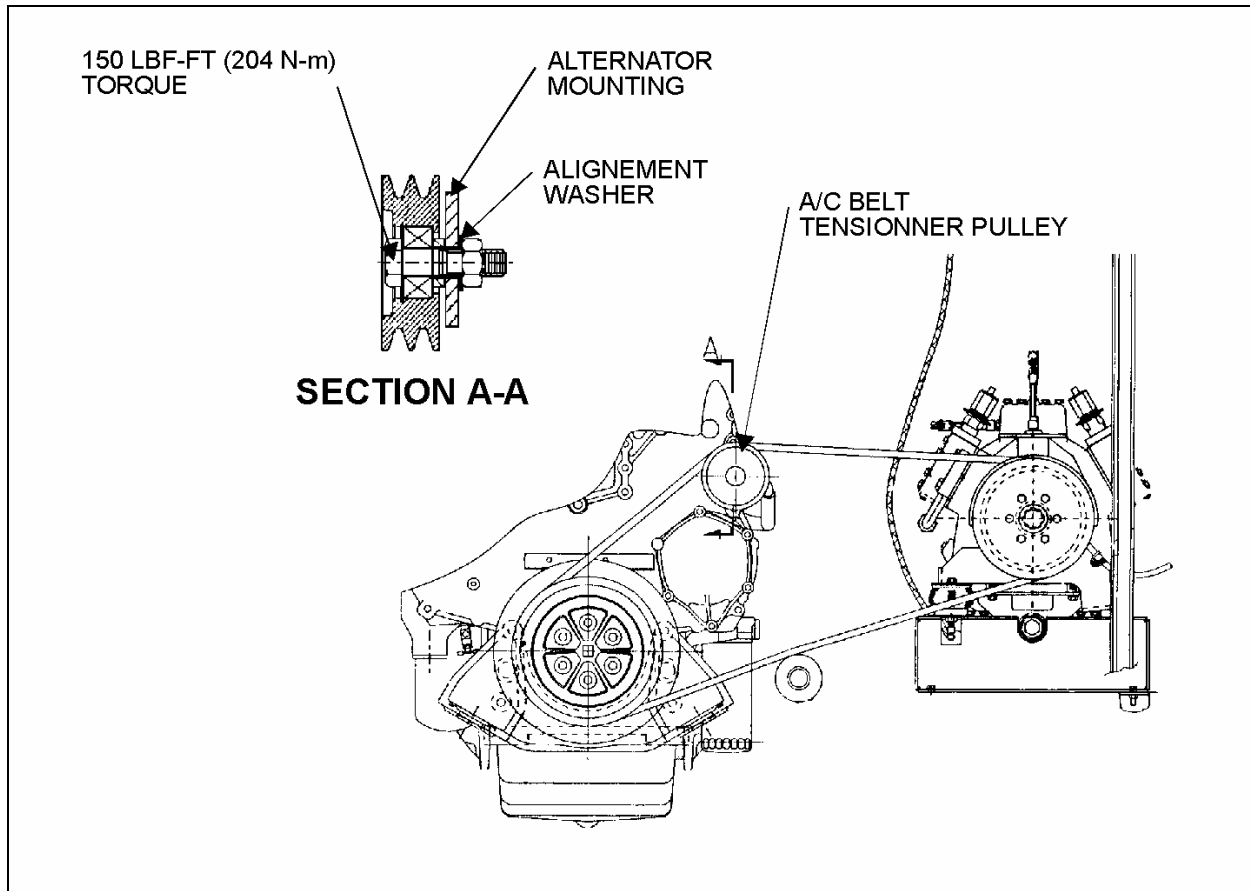


FIGURE 2: ENGINE AND COMPRESSOR

22095

3. Remove nut from belt tensionner pulley bolt (Fig. 2).
4. If applicable, remove old alignment washer (Fig. 2).
5. Install a new alignment washer (Prevost number 452276) (Fig. 2).
6. Install nut and torque belt tensionner pulley bolt to 150 lbf-ft (204 N-m) (Fig. 2).
7. Set battery master switch(es) to the ON position.
8. Apply pressure to air bellows by means of belt tensioning pressure control valve.

Warranty

This modification is covered by the manufacturer's normal warranty. We will reimburse you the parts and half an hour (0.5) of labor upon receipt of a completed A.F.A. form on which you must specify as per "Warranty Bulletin 95-25".

Expiration date: June 1996