

PREVOST

**WARRANTY
BULLETIN**

Wb97-33



DATE: January 1998	SECTION: 03
SUBJECT: ENGINE AIR INLET PIPE SUPPORT	

APPLICATION:

Model	VIN
H3 series vehicles powered by a series 60 engine Model Year: 1993 - 1997	<p>From 2P9V33407P1001305 up to 2PCH33497V1012050 incl.</p>

DESCRIPTION

On the above-mentioned vehicles, it is possible that with time the engine air intake pipe comes slightly down and rubs against the alternator mechanical belt tensioner upper part. Over the long run, a perforation may appear on pipe. To remedy this situation, perform the following procedure.

MATERIAL

Kit #032236 includes the following parts.

Part No.	Description	Qty
032235	Bracket	1
500544	Hexagonal head bolt M8 X 1.25 X 30 Gr. 8.8	1
040366	Rubber mounting	1
502744	Self-locking nut M8 X 1.25	2
500874	Flat washer	4
504031	Stainless steel hose clamp, 5" - 7" diameter	1
5001361	Hexagonal head bolt M8 X 1.25 X 120 Gr. 8.8	1

Note: Material can be obtained through regular channels.

PROCEDURE

Warning: Park vehicle safely, apply parking brake, stop engine and set battery master switch(es) to the OFF position prior to working on the vehicle.

1. Working on a work bench, assemble (without tightening) all parts of kit #032236 according to figure 1.

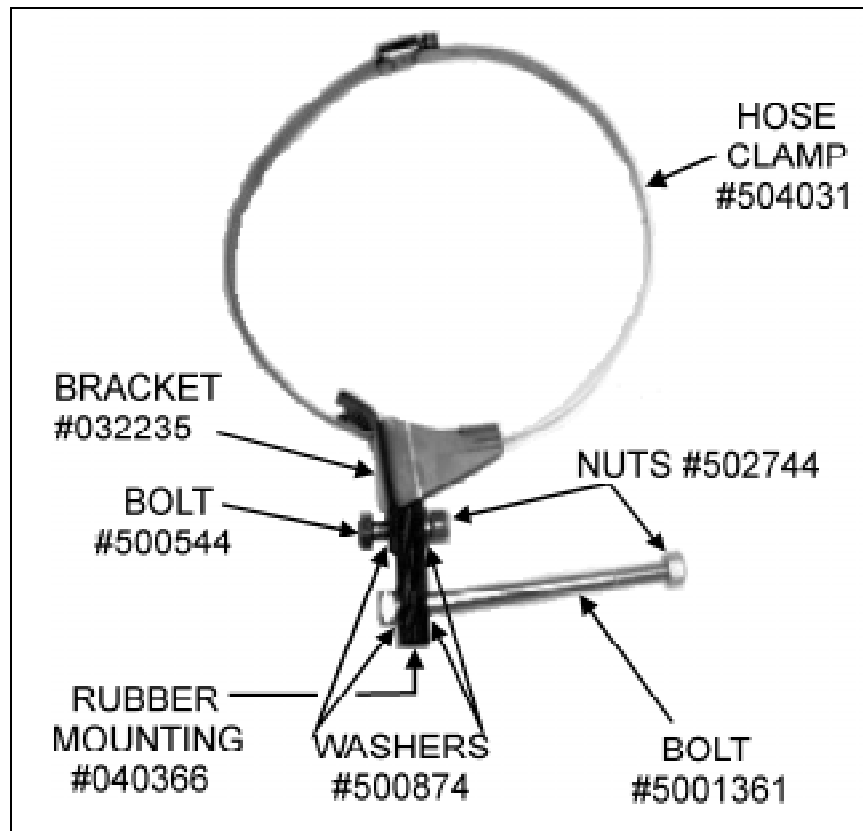


FIGURE 1

2. Open engine compartment rear door.
3. Referring to figure 2, locate on engine front cover, the opening which will be used to fix the air inlet pipe rubber mounting.

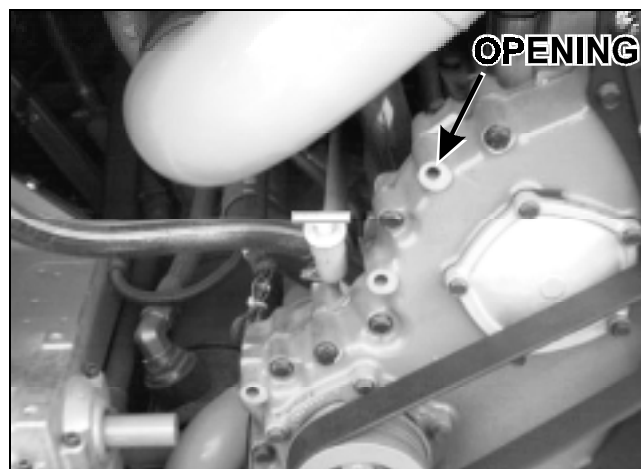


FIGURE 2

4. Completely unscrew hose clamp retaining screw, open hose clamp then roll it up around air inlet pipe (see figure 3).
5. Insert long bolt (#5001361) in opening indicated in figure 2 (if needed, raise air inlet pipe).



FIGURE 3

6. Adequately tighten hose clamp screw then the two retaining bolts.
7. Close engine compartment rear door.

WARRANTY

This modification is covered by the manufacturer's normal warranty. We will reimburse you the parts and one half hour (0.5) of labor upon receipt a completed A.F.A. form on which you must specify as per "Warranty Bulletin Wb97-33".

Expiration date: January 1999