

PREVOST

**WARRANTY
BULLETIN**

Wb98-10



| | |
|--|--------------|
| DATE : April 1998 | SECTION : 12 |
| SUBJECT : WET AND PRIMARY AIR TANKS SUPPORTS | |

APPLICATION

| Model | VIN |
|--|--|
| XL-40 and XL-45 Coaches without independent front suspension Model Year: 1996 - 1998 | From 2PCL3340XT1025884 up to 2PCL33493W1026541 incl. |

DESCRIPTION :

On the above mentioned vehicles, the wet and primary air tanks supports could interfere with drive axle brake chambers when the suspension is at its lowest position. To prevent possible surface damage to the brake chambers, you must modify the air tank support according to the following procedure.

PROCEDURE

Warning : Park vehicle safely, apply parking brake, stop engine and set battery master switch(es) to the OFF position prior to working on the vehicle.

Prior to working under an air-suspended vehicle, it is strongly recommended to support the body at the recommended jacking points.

1. Under vehicle, over drive axle brake chambers (L.H. and R.H. sides), locate the air tanks supports (refer to fig. 1).
2. Cut the extremity of each support, located right over brake chamber, under stud and nut (fig. 1). Drill a 3/8 " diameter hole in the support (refer to fig. 1)

Caution : Do not use a cutting torch to cut support.

3. Check drive axle brake chambers for dents or leaks caused by air tank supports. If dents or leaks are detected on a brake chamber, it must be replaced.

Note : If a brake chamber must be replaced, Prévost Car will reimburse you the parts and labour (0.75 hour for each brake chamber) upon receipt of a completed A.F.A. form and of the defective brake chamber. For replacement instructions, refer to Maintenance Manual, Section 12 : Brake and Air System.

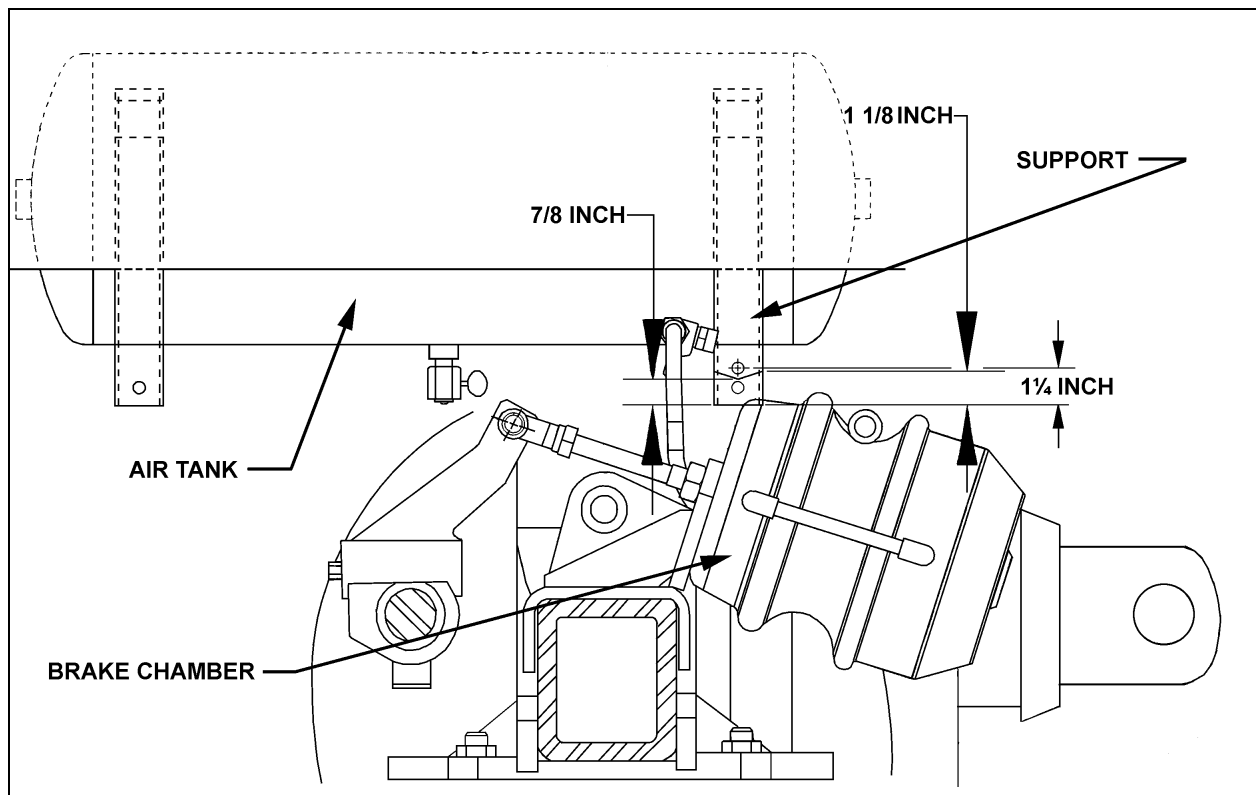


FIGURE 1 : AIR TANK SUPPORT

WARRANTY

This modification is covered by the manufacturer's normal warranty. We will reimburse you the parts and one hour (1.0) of labor upon receipt of a completed A.F.A. form on which you must specify as per "Warranty Bulletin 98-10".

Parts disposition :

- Discard according to applicable environmental regulations (Municipal/State[Prov.]/ Federal)

Expiration date : April 1999