

PREVOST

**WARRANTY
BULLETIN**

Wb98-16



DATE : May 1998	SECTION : 06
SUBJECT : INSTALLATION OF A DIODE IN THE MAIN POWER COMPARTMENT	

APPLICATION

Model	VIN
All H3 Series Vehicles Model Year: 1998	<p>2PCH33494W1012234 and from 2PCH3349XW1012285 up to 2PCH33495W1012467 incl. Note : Diode installation may have been performed at factory on some vehicles whose serial number is comprised between 2PCH3349XW1012285 and 2PCH33495W1012467 incl. PLEASE VERIFY BEFORE ORDERING PARTS</p>

DESCRIPTION :

On the above-mentioned vehicles, the installation of a diode in the main power compartment ensures the protection of the electronic and electrical modules.

MATERIAL

Part No.	Description	Qty
064792	Diode	1

Note : Material can be obtained through regular channels.

PROCEDURE

Warning: Park vehicle safely, apply parking brake, stop engine and set battery master switch(es) to the OFF position prior to working on the vehicle.

1. Open main power compartment door (refer to fig. 1).

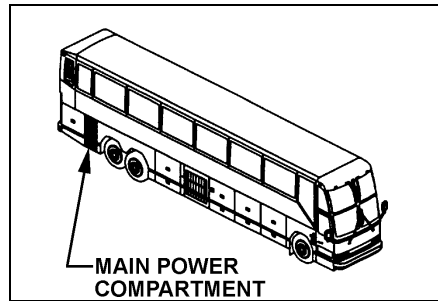


FIGURE 1 : MAIN POWER COMPARTMENT

2. Remove two nuts from protective plate.
3. Remove two attaching screws and install diode. Tighten two attaching screws properly (refer to fig. 2 and 3).

Note : Use the proper screwdriver so as not to damage the screw slot.

Warning : During diode installation, ensure not to touch with the diode the attaching screws and the ground studs at the same time to prevent a short-circuit. Ensure the diode is installed in the correct way (grey indicating band towards 24V red wire side).

Note : Refer to supplied wiring diagrams. D060902 for coaches and D060912 for VIP's.

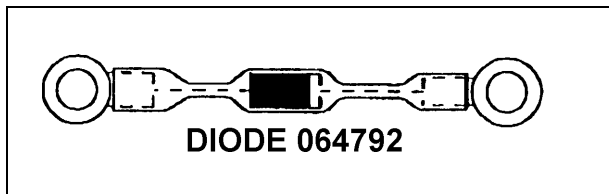


FIGURE 2 : DIODE

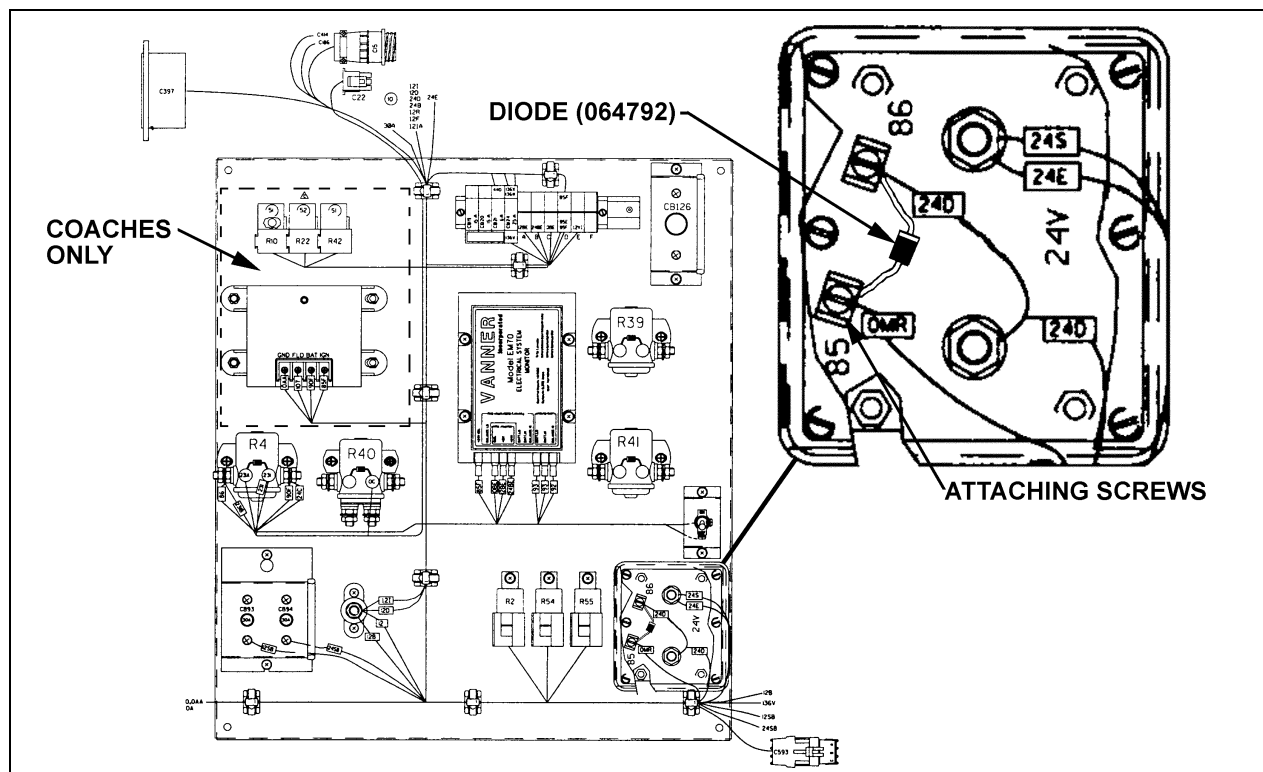
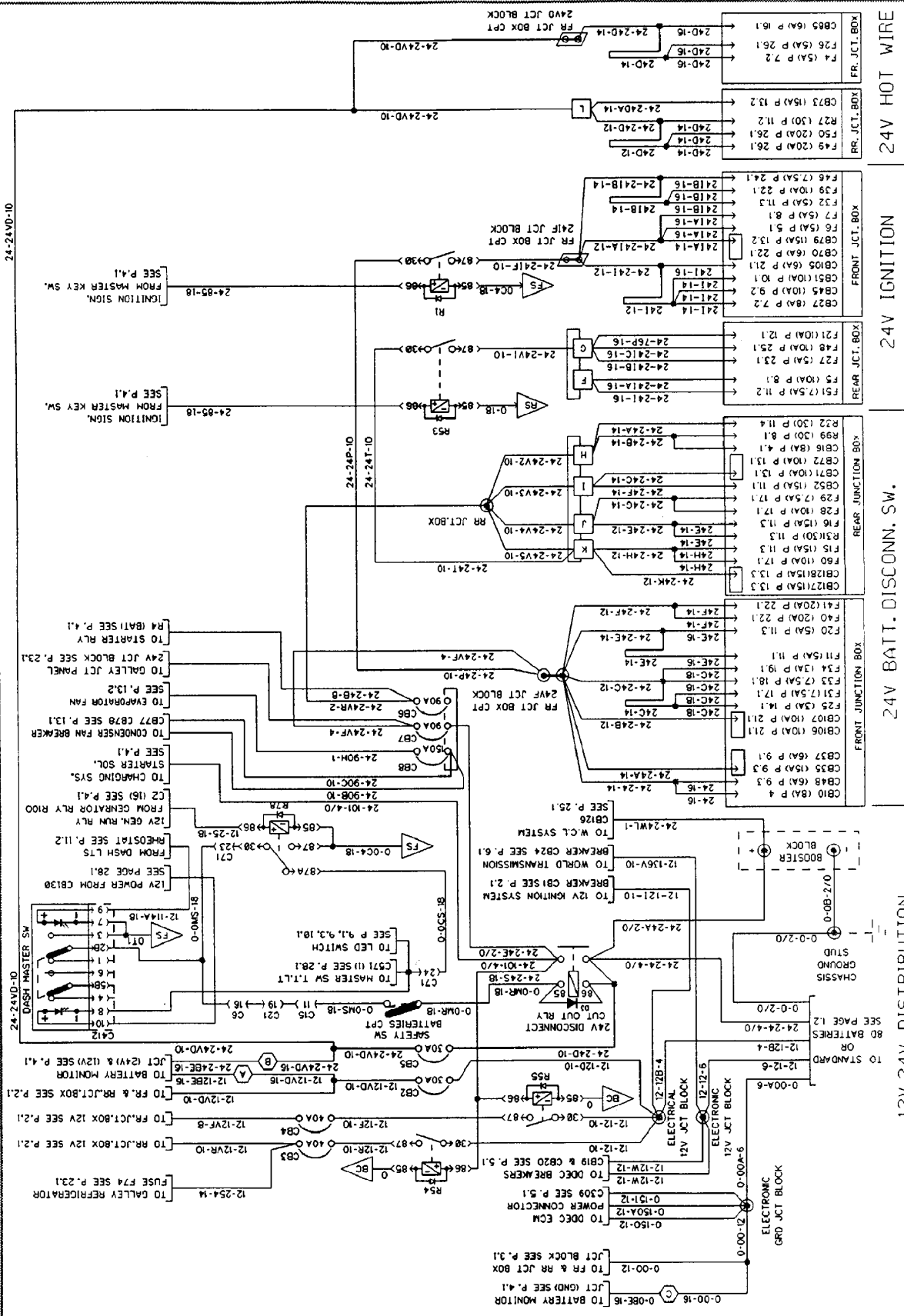
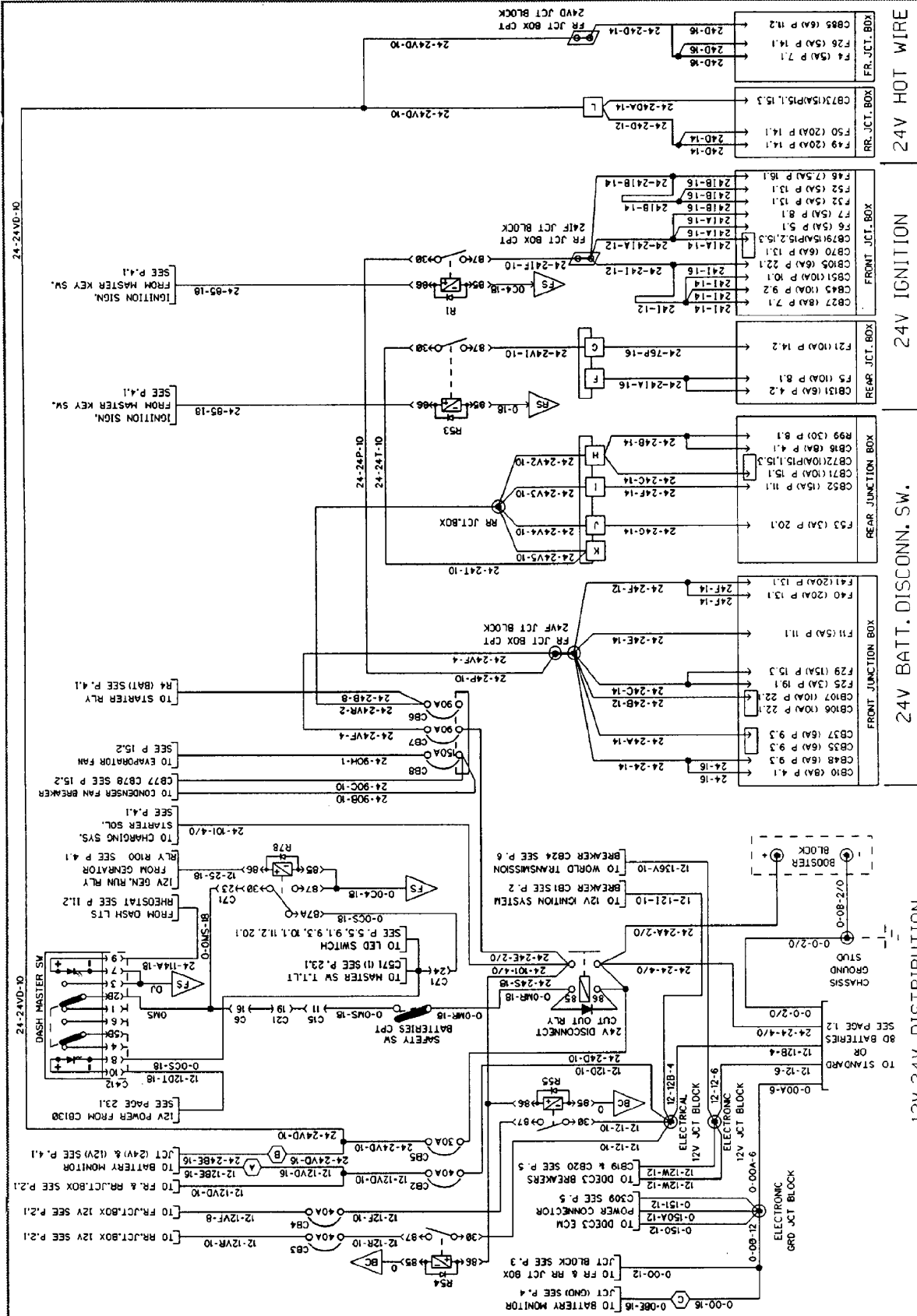


FIGURE 3 : MAIN POWER COMPARTMENT PANEL





4. Reinstall protective plate and tighten two nuts. Close main power compartment door.

WARRANTY

This modification is covered by the manufacturer's normal warranty. We will reimburse you the parts and a quarter of an hour (0.25) of labor upon receipt of a completed A.F.A. form on which you must specify as per "Warranty Bulletin 98-16".

Parts disposition :

- Discard according to applicable environmental regulations (Municipal/State[Prov.]/ Federal)

Expiration date : May 1999