

PREVOST

WARRANTY BULLETIN

Wb98-21



DATE : July 1998	SECTION : 22
SUBJECT : Lavatory Ventilation	

APPLICATION

Model	VIN
All H3-41 and H3-45 Coaches Model Year: 1997- 1998	 From 2PCH3341XV1011659 up to 2PCH3349XW1012366 incl. AND 2PCH33494W1012377

DESCRIPTION :

On the above-mentioned vehicles, a fan is added to the existent lavatory ventilation circuit in order to improve its performance.

MATERIAL

Order the subassembly #404694. It includes the elbow #501961 as well as the assembled parts:

Part No.	Description	Qty
404693	Fan	1
404692	Cowl	2
5001430	Screw	4
500670	Nut	4
504235	Clamp	2
064835	Electrical wire	1
560784	Heat shrink tubing	2

If you are the owner of a vehicle equipped with a galley, you will also have to order the following part:

Part No.	Description	Qty
064850	Electrical wire (vehicles with galley only)	1

Note : Material can be obtained through regular channels.

PROCEDURE

Warning : Park vehicle safely, apply parking brake, stop engine and set battery master switch(es) to the OFF position prior to working on the vehicle.

Step 1: Fitting Replacement

The replacement of the fitting in between the waste pipe and the toilet ventilation pipe is needed in order to save space for the fan to be installed.

1. Remove the garbage bin (figure 1). Locate the opening on the lavatory wall.

Note: To give more room, it might be necessary to remove the last row of seats located against the lavatory. Refer to Section 18, entry 26.2 of the Maintenance Manual.

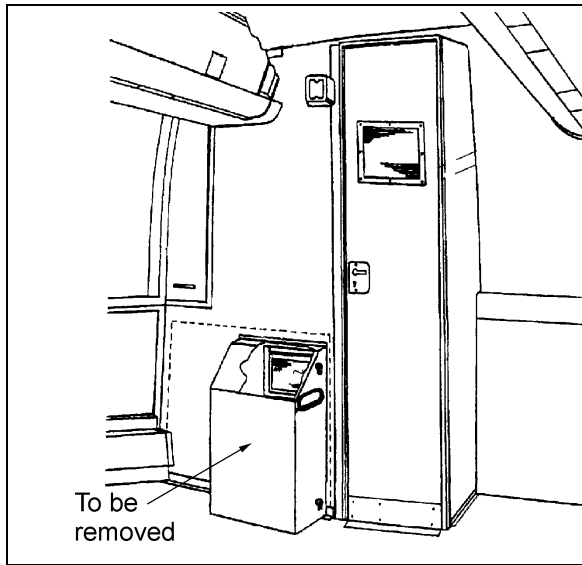


FIGURE 1: BIN REMOVAL

2. Unscrew the fitting between the toilet ventilation pipe and the waste pipe (figure 2a).
3. Remove the fitting from the ventilation pipe and replace fitting with elbow #501961 (figure 2b).
4. Join the ventilation pipe to the waste pipe by screwing to the elbow fitting.

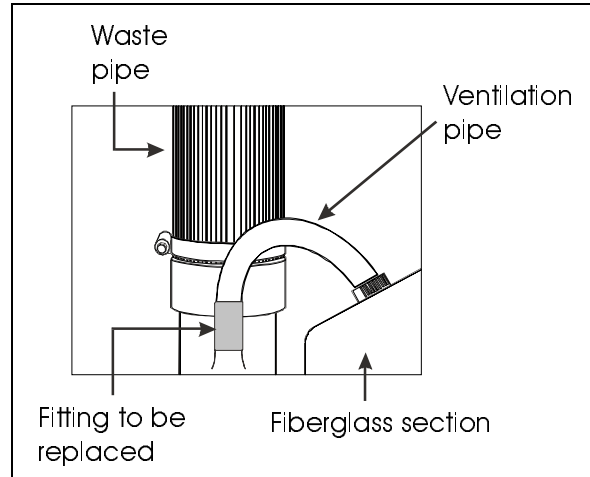


FIGURE 2A

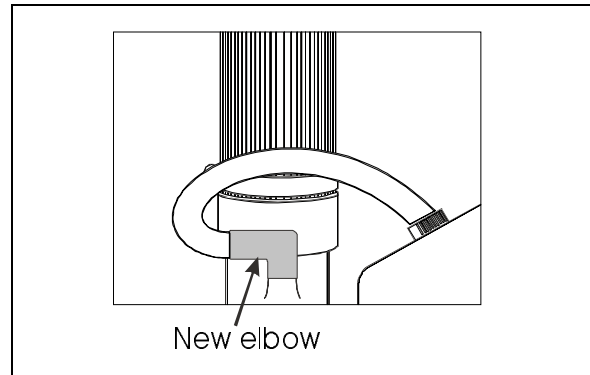


FIGURE 2B

Step 2: Fan Installation

1. In the opening on the lavatory wall, locate the 4 inch (10 cm) diameter flexible duct and the fiberglass section.
2. Cut the duct at 3 inches (8 cm) from the fiberglass section.
3. Set the fan/cowl subassembly in between the two sections of ducting (figure 3).
4. Make sure the arrow printed on the fan points in the air flow direction: towards the exterior of the coach. Also, align electrical outlet on top.
5. Clamp duct tightly to cowls.

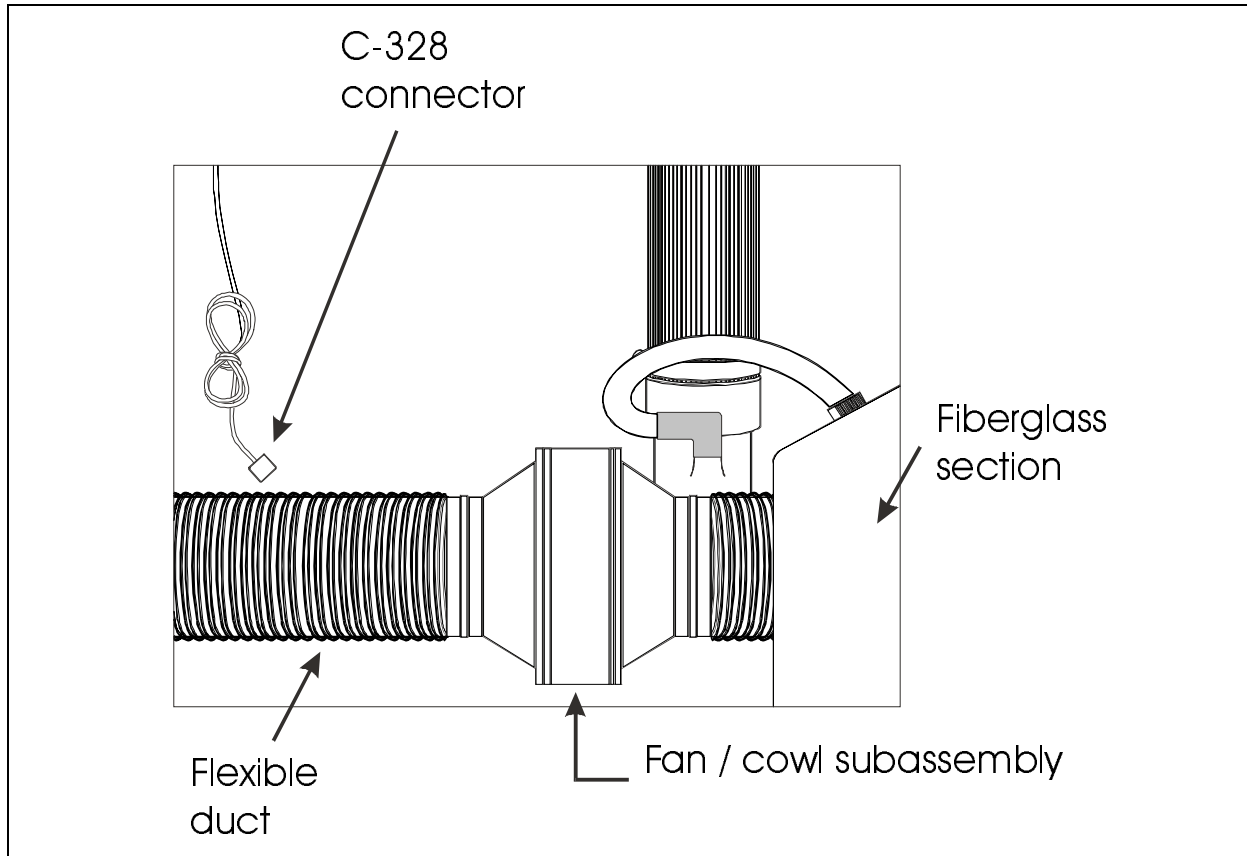


FIGURE 3

Step 3: Fan Connection

Vehicles without galley

1. Plug fan connector in connector C-328 already installed.

Vehicles with galley

1. Connect electrical wire #064850 to fan connector.
2. Run the wire #064850 along the waste pipe in order to reach the engine compartment underneath.
3. Open the engine compartment side door. Locate the vertical waste pipe behind the motor air filter.
4. Locate the grommet on the engine compartment and battery compartment wall. The grommet is close to the C-397 connector.
5. Open the main power compartment door (figure 4).
6. Route the wire #064850 through the grommet from the engine compartment to the main power compartment.
7. In the main power compartment, connect the black OH wire strand #064850 to terminal C and 125 red strand to terminal D (figure 5).

Note: Refer to appendices 1 and 2 for galley full option wiring diagram.

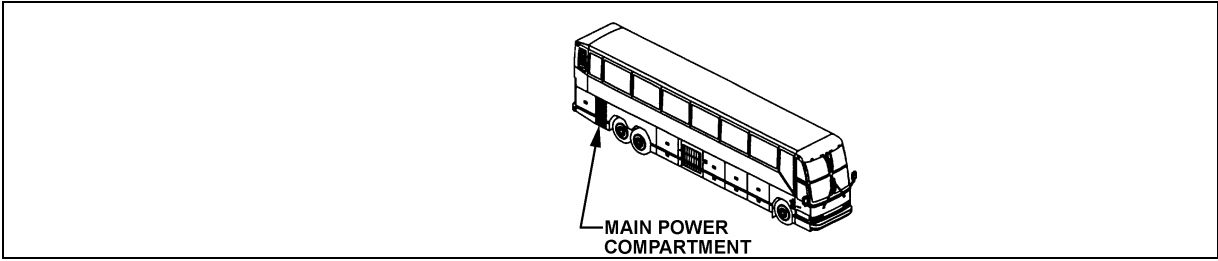


FIGURE 4: MAIN POWER COMPARTMENT

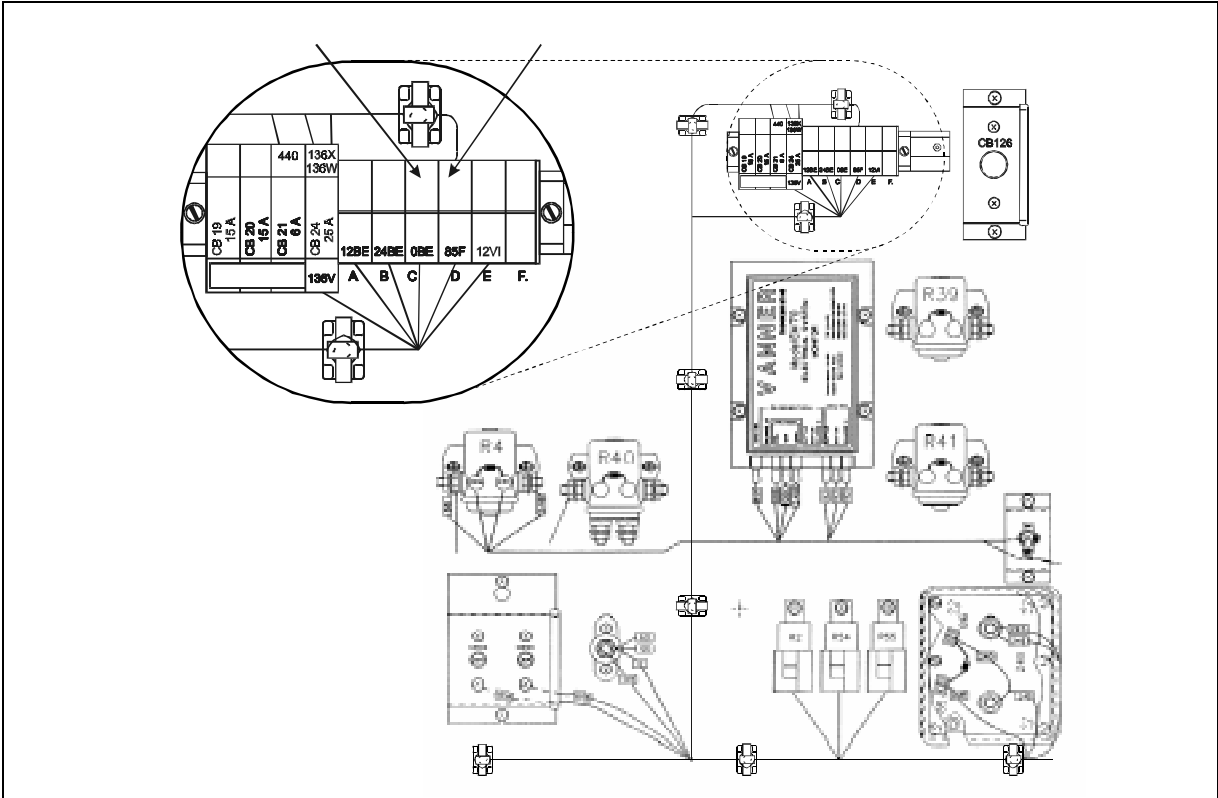


FIGURE 5: TERMINAL C AND D CONNECTION IN THE MAIN POWER COMPARTMENT

Step 4: Filter Removal

In order to reduce the lavatory duct obstruction risks, remove the air filter according to the following instructions:

1. Locate the air duct in the lavatory (figure 6). Remove the protective plate.
2. Take away the metallic filter underneath.
3. Reinstall the protective plate.



Figure 6: Lavatory duct

WARRANTY

This modification is covered by Prévost Car's normal warranty. We will reimburse you the parts and one hour (1.0) of labor upon receipt of a completed A.F.A. form on which you must specify as per "Warranty Bulletin 98-21".

Parts disposition :

- Discard according to applicable environmental regulations (Municipal/State[Prov.]/ Federal)

Expiration date : July 1999

WIRING DIAGRAM INDEX

A	A/C & HEAT SYSTEM	Page: 13	E	ENGINE BLOCK HEATER	Page: 12	M	MIRROR-REAR VIEW	Page: 24
	AIR DRYER	Page: 8		ENGINE BRAKE SYSTEM	Page: 19	P	PARKING BRAKE SWITCH	Page: 8
	ALARM & SIGNAL	Page: 7		ENGINE CONTROL	Page: 4		PASSENGER CHIME	Page: 12
	ABS	Page: 21		ENTRANCE DOOR SEDAN	Page: 16		POWER 12V OUTLET	Page: 14
	ARRANGEMENT - CABLE	Page: B		ETHER COLD START	Page: 8		PRODRIVER	Page: 8
	ARRANGEMENT - HARNESS	Page: C		EXTERIOR LIGHTING	Page: 9			
	ARRANGEMENT - SPARE WIRE	Page: D						
B	BACK-UP ALARM	Page: 9.3	F	FAN-CLUTCH RADIATOR	Page: 8	R	RETARDER - WORLD TRANSM.	Page: 19
	BACK-UP MONITOR	Page: 27		FAST IDLE - DDEC	Page: 5			
				FIRE DETECTOR	Page: 7	S	SOUND & VIDEO SYSTEM	Page: 20
C	CHARGING SYSTEM	Page: 4		FRONT DESTINATION SIGN	Page: 17		SPEEDOMETER (VDO)	Page: 15
	CIGAR LIGHTER	Page: 14		FUEL WATER FILTER	Page: 8		SUN VISOR	Page: 14
	CODE - CIRCUIT NUMBER	Page: E		FUEL PRIME PUMP	Page: 12			
	CODE - CIRCUIT BREAKER	Page: F	G			T	TACHOGRAPH-ELECTRONIC	Page: 15
	CODE - CONNECTOR	Page: G		GALLEY ACCESSORIES	Page: 23		TACHOMETER (VDO)	Page: 15
	CODE - DIODE	Page: H		GROUND SYSTEM	Page: 3		TELL TALE LIGHT MODULES	Page: 28
	CODE - RELAY	Page: I	H				THERMOMETER-DIGITAL	Page: 28
	CODE - RESISTOR	Page: J		HIGH BUOY	Page: 18		TRANSMISSION - MANUAL	Page: 22
	CODE - WIRING KEY	Page: K		HOTESS CHIME	Page: 12		TRANSMISSION - WORLD	Page: 6
	CODE - FUSE	Page: L	I					
	CODE - MODULE	Page: M		INTERIOR LIGHTING	Page: 11	W	WATER HEATER PRE-HEAT	Page: 26
	CRUISE CONTROL - DDEC	Page: 5		INTERCOM	Page: 27		WATER TANK HEATER LAVATORY	Page: 12
D	DDEC III	Page: 5	K	KNEELING SYSTEM	Page: 18		WHEEL CHAIR LIFT - RICHON 9000	Page: 25.2
	DIGITAL CLOCK	Page: 14					WHEEL CHAIR LIFT - STEW. & STEV.	Page: 25.1
	DISTRIBUTION 12V	Page: 2	L	LAVATORY	Page: 17		WINDSHIELD (UP) FAN DEFROSTOR	Page: 22
	DISTRIBUTION 24V	Page: 1		LOW BUOY	Page: 18		WINDSHIELD (UP) HEATED	Page: 22
	DRIVERS WINDOW LIFTER	Page: 14		LUGGAGE DOOR LOCK	Page: 19		WIPER & WASHER	Page: 10
				LAVATORY FAN	Page: 23			

PREVOST

WIRING DIAGRAM

NO.:

D060882

PAGE:

A

REVISION
10

PREVOST

WIRING DIAGRAM

NO.:

D060882

PAGE:

23

REVISION
10

