

PREVOST

ENREGISTRÉ - REGISTERED
ISO 9001 & ISO 14001

**WARRANTY
BULLETIN**

Wb99-04



DATE : JANUARY 1999	SECTION : 23 - Accessories
EXPIRATION: JANUARY 2000	
SUBJECT : LAVATORY DRAIN PIPE REPLACEMENT	

APPLICATION

Model	VIN
H3-41 and H3-45 Coaches Model Year : 1996 - 1999	From 2PCH33493I1011572 up to 2PCH33491X1012970 incl.

DESCRIPTION

On the above-mentioned vehicles, drain pipe rigidity of mounting may cause offset assembly to crack. Replacement of rigid ABS pipe with flexible tubing prevents this situation from happening.

Note: If offset assembly needs replacement, proceed with part A of procedure. If offset assembly is not defective, proceed with part B in order to replace rigid ABS pipe with flexible tubing.

PART A: REPLACEMENT OF OFFSET ASSEMBLY AND RIGID ABS PIPE

MATERIAL

Part No.	Description	Qty
403074	Offset Assembly	1
402418	Flexible Tubing	1
504235	Clamp	2

Note : Material can be obtained through regular channels.

PROCEDURE

Warning : Park vehicle safely, apply parking brake, stop engine and set battery master switch(es) to the OFF position prior to working on the vehicle.

1. Locate at back of vehicle, the garbage bin fixed to the lavatory wall. (refer to figure 1). Remove this garbage bin.

Note: To give more room, it might be necessary to remove the last row of seats located against the lavatory wall. Refer to Section 18 of the Maintenance Manual.

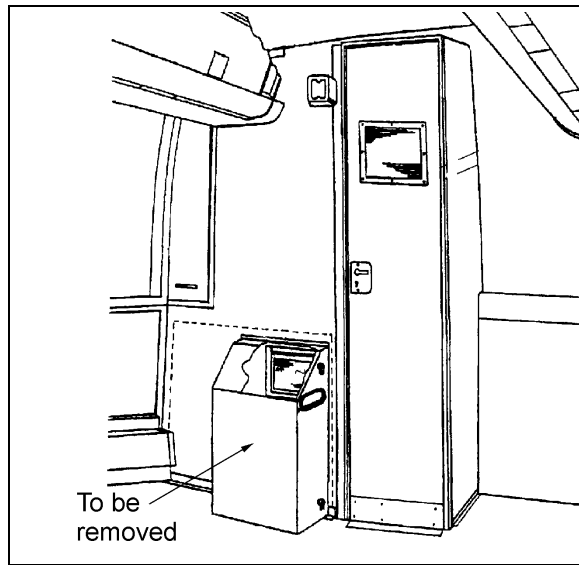


FIGURE 1: BIN REMOVAL

2. Removal of garbage bin gives access to the offset assembly through an opening in the lavatory wall. Locate through this opening the rubber hose used for toilet bowl ventilation (refer to figure 2).

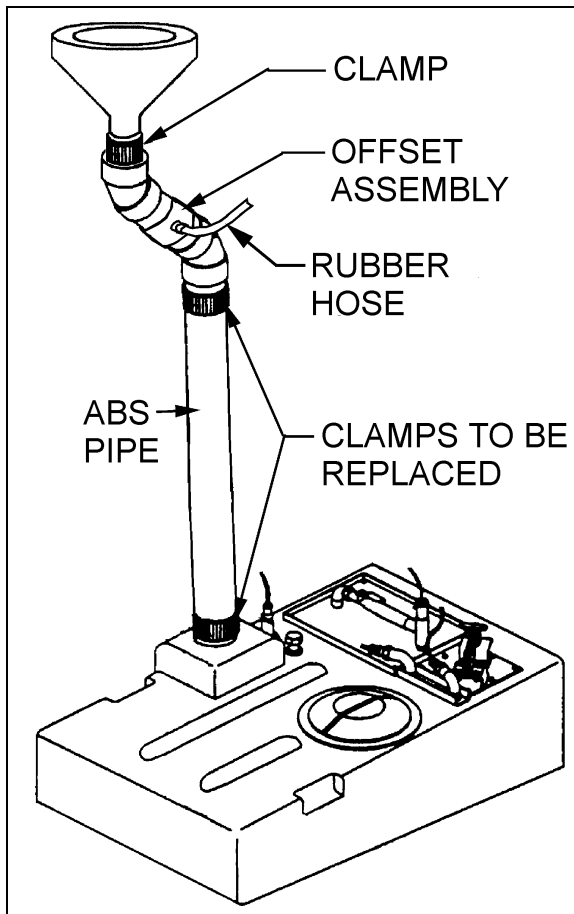


FIGURE 2: DRAIN PIPE (BEFORE MODIFICATION)

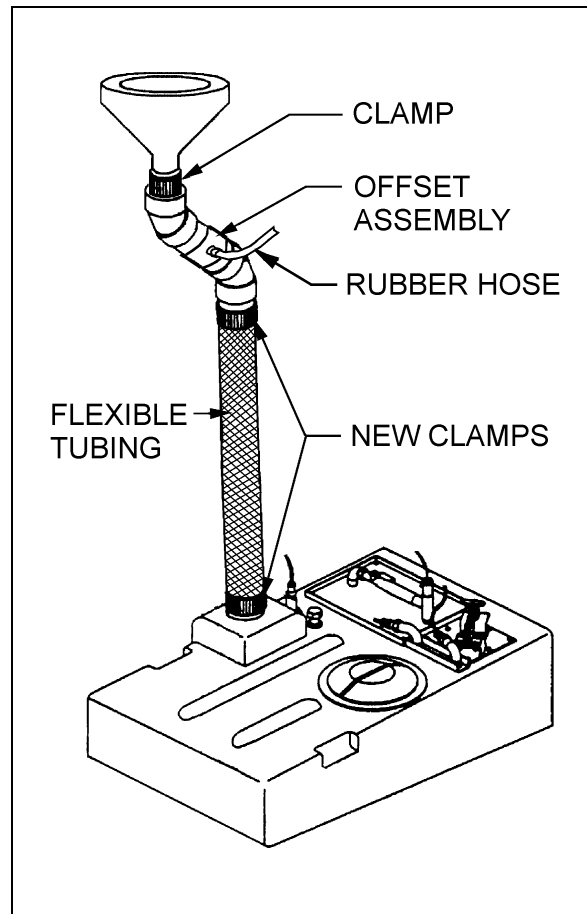


FIGURE 3: DRAIN PIPE (AFTER MODIFICATION)

3. Unfasten rubber hose clamp screw as well as clamp securing offset assembly to toilet bowl sleeve.
4. Open engine compartment rear door and engine compartment R.H. side door. Unfasten ABS pipe clamp screws, remove clamps and ABS pipe as well as offset assembly (refer to figure 2).
5. Install new offset assembly to toilet bowl sleeve and secure using clamp. Fix also rubber hose clamp. Install flexible tubing (Prévost #402418) together with new clamps (Prévost #504235).
6. Perform drain pipe test to ensure no leaks are present. Tighten clamp screws as needed.

WARRANTY

This modification is covered by Prévost Car's normal warranty. We will reimburse you the parts and half an hour (0.5) of labor upon receipt of a completed A.F.A. form on which you must specify as per "Warranty Bulletin 99-04".

Parts disposition :

- Discard according to applicable environmental regulations (Municipal/State[Prov.]/ Federal)

PART B: REPLACEMENT OF RIGID ABS PIPE

MATERIAL

Part No.	Description	Qty
402418	Flexible Tubing	1
504235	Clamp	2

Note : Material can be obtained through regular channels.

PROCEDURE

Warning : Park vehicle safely, apply parking brake, stop engine and set battery master switch(es) to the OFF position prior to working on the vehicle.

1. Open engine compartment rear door and engine compartment R.H. side door. Unfasten ABS pipe clamp screws, remove clamps and ABS pipe (refer to figure 2 and 3).
2. Install flexible tubing (Prévost #402418) together with new clamps (Prévost #504235).
3. Perform drain pipe test to ensure no leaks are present. Tighten clamp screws as needed.

WARRANTY

This modification is covered by Prévost Car's normal warranty. We will reimburse you the parts and a quarter of an hour (0.25) of labor upon receipt of a completed A.F.A. form on which you must specify as per "Warranty Bulletin 99-04".

Parts disposition :

- Discard according to applicable environmental regulations (Municipal/State[Prov.]/ Federal)