

**PREVOST**

ENREGISTRÉ - REGISTERED  
ISO 9001 & ISO 14001


**WARRANTY  
BULLETIN**

Wb99-19



|                                    |           |           |
|------------------------------------|-----------|-----------|
| DATE : MARCH 1999                  | SECTION : | 18 - Body |
| EXPIRATION: MARCH 2000             |           |           |
| SUBJECT : SECURING OF PARCEL RACKS |           |           |

**APPLICATION**

| Model                                      | VIN  |  |
|--|--|--|
| XL-40 & XL-45 Coaches<br>Model Year : 1999 | 2PCL33495X1026834 – 2PCL33490X1026837 - 2PCL33490X1026840<br>2PCL33496X1026843 - 2PCL33491X1026846 – 2PCL33497X1026849<br>2PCL33495X1026851 – 2PCL3349XX1026859 - 2PCL33495X1026865<br>2PCL33490X1026868 - 2PCL33490X1026871 – 2PCL33491X1026877 |  |

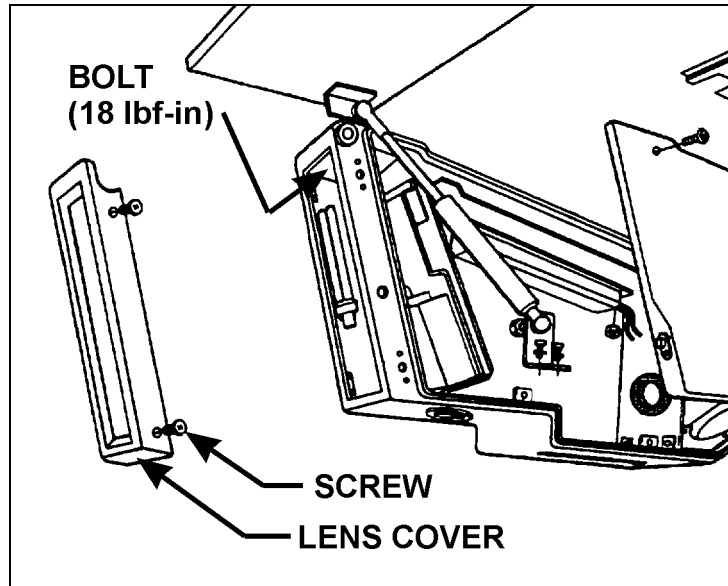
**DESCRIPTION**

On the above-mentioned vehicles, some of the bolts securing the parcel racks may not have been properly fastened. Retorquing the bolts is necessary for proper parcel racks fixation.

**PROCEDURE**

**Warning :** Park vehicle safely, apply parking brake, stop engine and set battery master switch(es) to the OFF position prior to working on the vehicle.

1. Remove the four screws securing the lens cover (refer to figure 1). Remove the lens cover.
2. Locate the bolt securing the parcel rack (refer to figure 1). Retorque the bolt to 18 lbf-in (1.98 N·m).
3. Carry on with the fore-mentioned procedure for all bolts.
4. Reinstall the lens covers.



## WARRANTY

This modification is covered by Prévost Car's normal warranty. We will reimburse you the parts and one hour (1.0) of labor upon receipt of a completed A.F.A. form on which you must specify as per "Warranty Bulletin 99-19".

### Parts disposition :

- Discard according to applicable environmental regulations (Municipal/State[Prov.]/ Federal)