

**PREVOST**

ENREGISTRÉ - REGISTERED  
ISO 9001 & ISO 14001


**WARRANTY  
BULLETIN**

Wb99-40



DATE : NOVEMBER 1999	SECTION :	12 - Brakes
EXPIRATION: NOVEMBER 2000		
SUBJECT : TIGHTENING THE DRIVE AXLE CALIPER BOLTS		

**APPLICATION**

Model	VIN	
H3-41 and H3-45 coaches Model Year : 2000	2PCH33496Y1013324	2PCH3341XY1013336
	2PCH33415Y1013325	2PCH33494Y1013337
	2PCH3349XY1013326	2PCH33498Y1013339
	2PCH33419Y1013327	2PCH33411Y1013340
	2PCH33493Y1013328	2PCH33498Y1013342
	2PCH33495Y1013329	2PCH33419Y1013344
	2PCH33412Y1013332	2PCH33495Y1013346
	2PCH33490Y1013335	2PCH33416Y1013348
H3-45 VIP bus shells Model Year : 1999	2PCV3349XX1013330	2PCV33494X1013338
	2PCV33497X1013334	2PCV33495X1013350

**DESCRIPTION**

The drive axle caliper bolts on the vehicles mentioned above must be checked for proper tightening torque.

**PROCEDURE**

**Warning :** Park vehicle safely, apply parking brake, stop engine and set battery master switch(es) to the OFF position prior to working on the vehicle.

1. Place the vehicle over a repair pit or raise the vehicle using an appropriate jack;
2. Locate the bolts to verify, there are 6 bolts on each end of the drive axle (refer to figure 1 for location);

**Note:** Removal of the drive wheels should not be necessary.

3. Using a torque wrench, tighten the bolts identified in figure 1 to a dry torque of 433 - 479 lbf-ft (590 - 650 Nm);

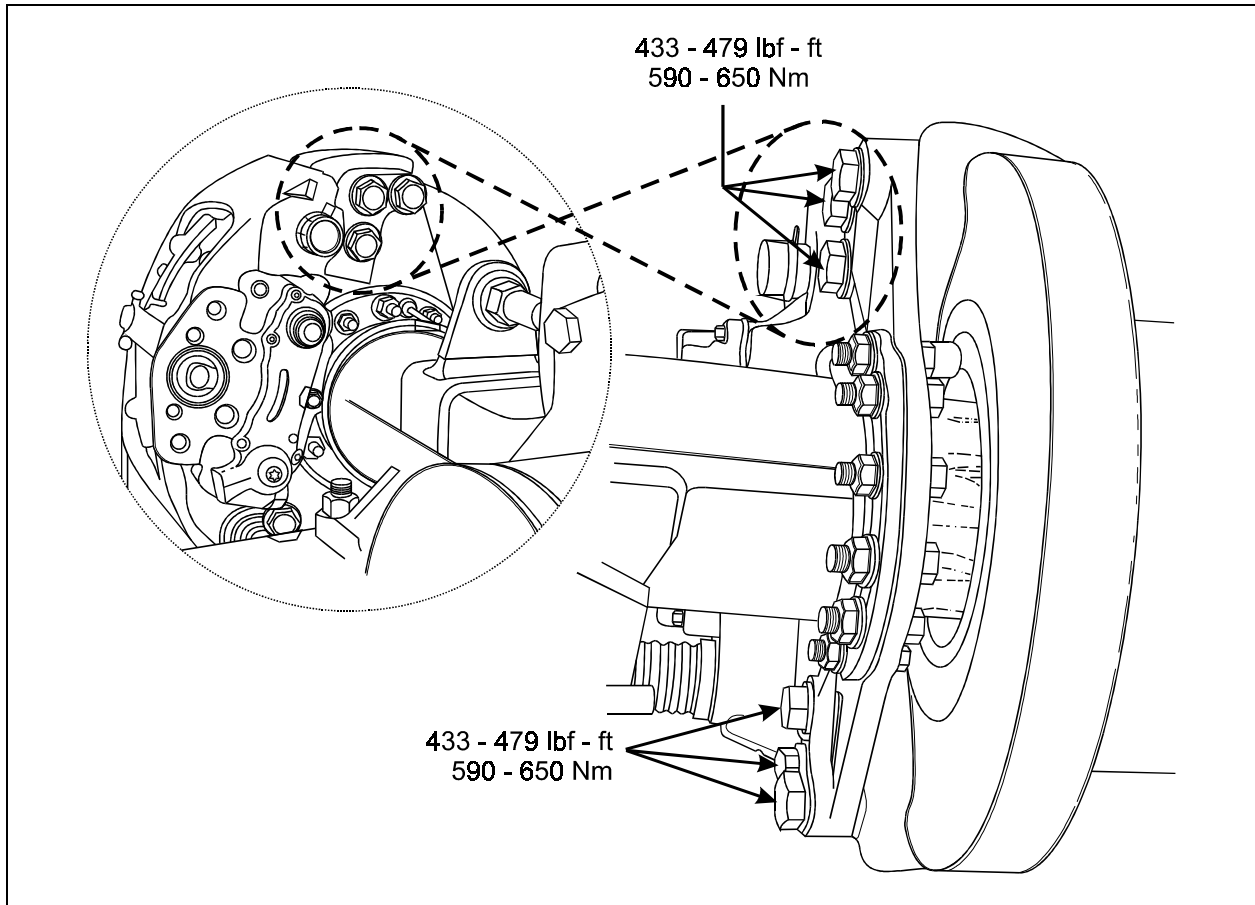


FIGURE 1: CALIPER BOLTS ON DRIVE AXLE

12180

## WARRANTY

This modification is covered by Prévost Car's normal warranty. We will reimburse you one hour (1.0) of labor upon receipt of a completed A.F.A. form on which you must specify as per "Warranty Bulletin 99-40".