

REVISION n/a: THIS WARRANTY BULLETIN SUPERSEDES PREVIOUS VERSION.

In MATERIAL, gasket #20841816 canceled, not appropriate. Use diffuser pipe gasket #21007187

BROKEN EXHAUST CLAMP AT TURBOCHARGER DIFFUSER PIPE 9700 (B13R)

MODEL YEAR(S) AND VEHICLE SERIAL NUMBERS (VIN) INVOLVED

NOTICE TO SERVICE CENTERS <i>Verify vehicle eligibility by checking warranty bulletin status with SAP or via ONLINE WARRANTY SYSTEM available on Service / Warranty tab of Prevest website.</i>	
Model	VIN
Volvo 9700 us/can Model Year : 2009 - 2013	From 3CET2M62895 <u>133290</u> up to 3CET2S22XD5 <u>160297</u> incl.
This bulletin does not necessarily apply to all the above-mentioned vehicles, some vehicles may have been modified before delivery. The owners of the vehicles affected by this bulletin will be advised by a letter indicating the Vehicle Identification Number (VIN) of each vehicle concerned.	

DESCRIPTION

On the vehicles affected by this bulletin, the exhaust clamp with part number 20955220 gets broken and the turbocharger diffuser pipe may come out of the clamp which may cause the Automatic Fire Extinguishing System to discharge. For this reason, it is necessary to remove this clamp and replace it with clamp 21545619 as soon as possible.


MATERIAL

Order the following parts:

Part No.	Description	Qty
21545619	CLAMP, V-BAND	1
21007187	GASKET, DIFFUSER PIPE	1

NOTE
<i>Material can be obtained through regular channels.</i>

PROCEDURE

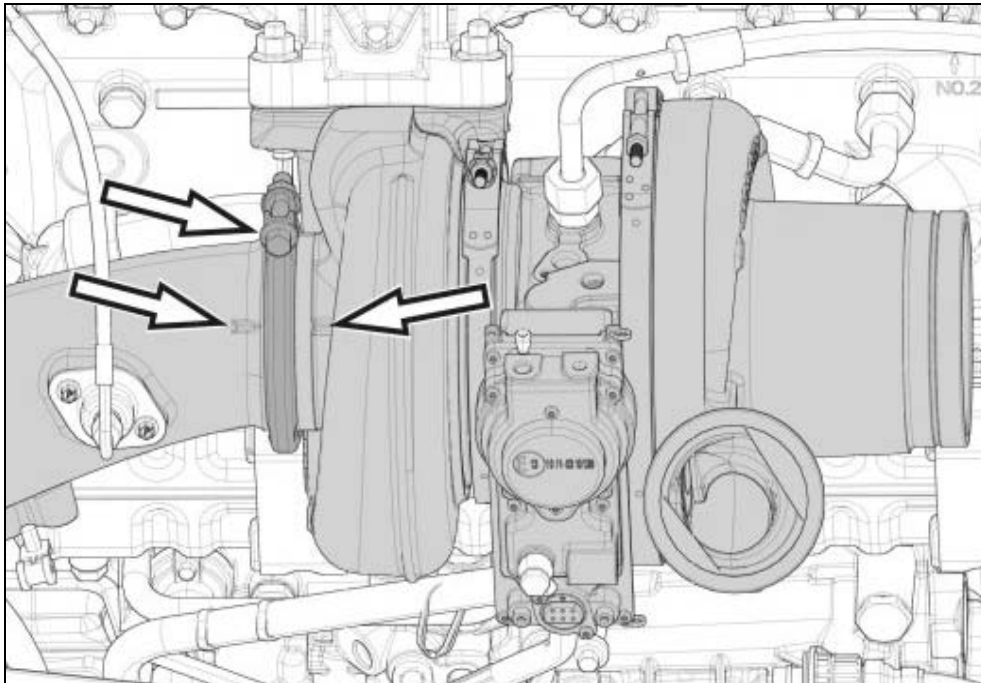
 DANGER
Park vehicle safely, apply parking brake, stop engine. In the battery box, set the battery cut-off switch to the OFF position prior to working on the vehicle.

Refer to the following Volvo service instructions found on Impact and other Function Group 255 & 261 service instructions as required.

- Identity: 131589750 Engine Turbocharger, Replacement
- Identity: 121793153 Radiator, Removal
- Identity: 121786092 Radiator, Installation

- 1) Remove the radiator (refer to: Function group 26).
- 2) Replace the turbocharger outlet pipe V-band clamp. Use a new gasket between the diffuser and turbocharger. Turn the diffuser pipe to the correct position (see figure below). Tighten the clamp to the proper specification. **V-band clamps..... 10 ± 2 Nm (90 ± 9 in-lb)**

Refer to Function Group 20 Specifications for other torque specifications if needed.



NOTE: WHEN POSITIONING THE DIFFUSER PIPE, ALIGN THE MATCH MARKS ON THE DIFFUSER AND ENGINE TURBOCHARGER, IF EQUIPPED

- 3) Reinstall the radiator.

PARTS / WASTE DISPOSAL

Discard waste according to applicable environmental regulations (Municipal/State[Prov.]/ Federal)

WARRANTY

This modification is covered by Prevost's normal warranty. We will reimburse you the parts and 4 hours (4.0) of labor upon receipt of a warranty claim. Please submit claim via our Online Warranty System, available at www.prevostcar.com (under Service \ Warranty section). Use Claim Type: "Bulletin/Recall" and select "Warranty Bulletin WB15-80".

OTHER

VBC Bulletin	S-6827
Fail Code	4-02
Defect Code	09
Syst.Cond.	B
Causal Part	20955220

Access all our Service Bulletins on
[https://secureus5.volvo.com/technicalpublications/en/pub.
asp](https://secureus5.volvo.com/technicalpublications/en/pub.asp) or scan the QR-Code with your smart phone.

E-mail us at technicalpublications_prev@volvo.com
and type "ADD" in the subject to receive our warranty
bulletins by e-mail.



Prevost engages in a continuous program of testing and evaluating to provide the best possible product. Volvo Bus, however, is not committed to, or liable for updating existing products.