


# PREVOST

## Instruction Sheet

## IS-18901

### ENGINE BELT GUARD INSTALLATION

#### APPLICATION

Model	VIN	
X3-45 VIP motorhomes Model Year : from 2017	From 2PCBS3492 <u>HC736181</u> X3 SERIES WITH COOLANT SYSTEM ELECTRICAL FAN DRIVE	
X3-45 coaches Model Year : from 2017	From 2PCG33490 <u>HC736182</u> X3 SERIES WITH COOLANT SYSTEM ELECTRICAL FAN DRIVE	
X3-45 VIP commercial use Model Year : from 2017	From 2PCCS3495 <u>HC736180</u> X3 SERIES WITH COOLANT SYSTEM ELECTRICAL FAN DRIVE	
X3-45 coaches Model Year : from 2017	From 4RKG33493 <u>H9737399</u> X3 SERIES WITH COOLANT SYSTEM ELECTRICAL FAN DRIVE	
X3-45 Commuter Model Year : from 2018	From 4RKJ33492 <u>J9737485</u> X3 SERIES WITH COOLANT SYSTEM ELECTRICAL FAN DRIVE	

#### DESCRIPTION

This procedure shows how to install the engine belt guard on X3 Series vehicles with coolant system electrical fan drive.

## MATERIAL

Order kit #IS18901 that contains the following part:

Part No.	Description	Qty
200778P	Engine belt guard sub-assembly	1
IS-18901	Instruction sheet EN	1
FI-18901	Instruction sheet FR	1

### *NOTE*

*Material can be obtained through regular channels.*

## PROCEDURE



### DANGER

Park vehicle safely, apply parking brake, stop engine. Prior to working on the vehicle, set the ignition switch to the OFF position and trip the main circuit breakers equipped with a trip button.

## ENGINE BELT GUARD INTALLATION

1. Press rear engine stop button to prevent engine from starting (Figure 1).

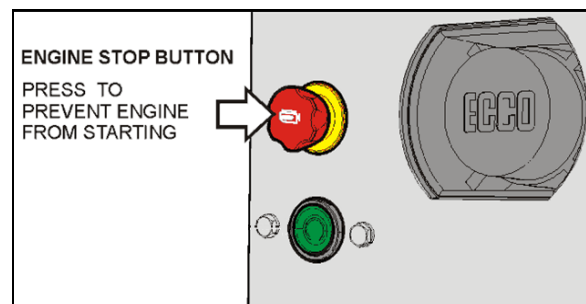


FIGURE 1

2. Lock the position of the bumper bracket with the locking pin as shown on picture Figure 2.
3. Repeat step 2 on both sides.

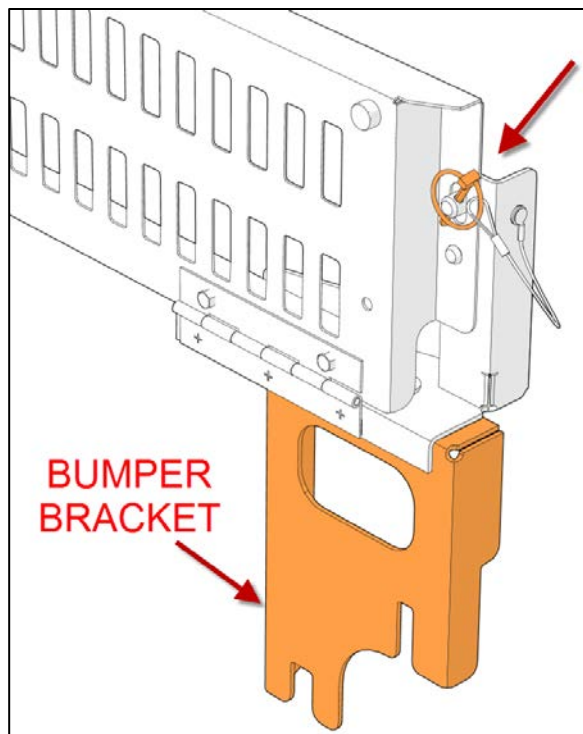


FIGURE 2

4. Loosen the screws supporting the hinge to the guard yellow grill. Do not remove the screws. Repeat this operation on both sides.

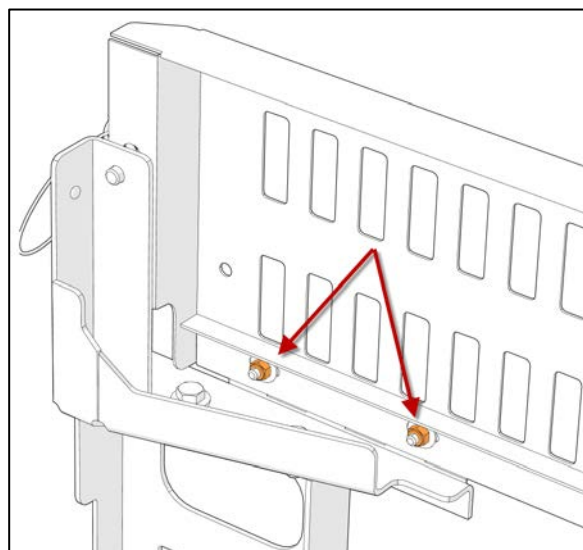
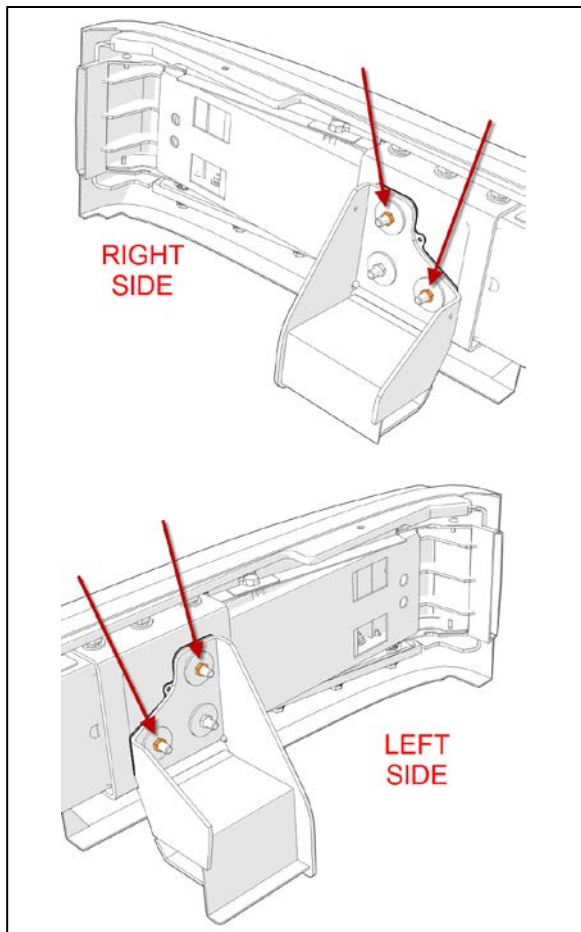


FIGURE 3

**NOTE**

**The engine belt guard sub-assembly is supported with the existing bumper screws and nuts.**

5. Locate the rear bumper mounting nuts on right side and on left side (Figure 4).



**FIGURE 4**



**CAUTION**

Be very careful not to break the bumper welded screws when loosening the nuts. Use a wrench with socket and apply lubricant. If necessary, heat the nuts using an oxy/acetylene torch kit. Breaking a screw is not an option.

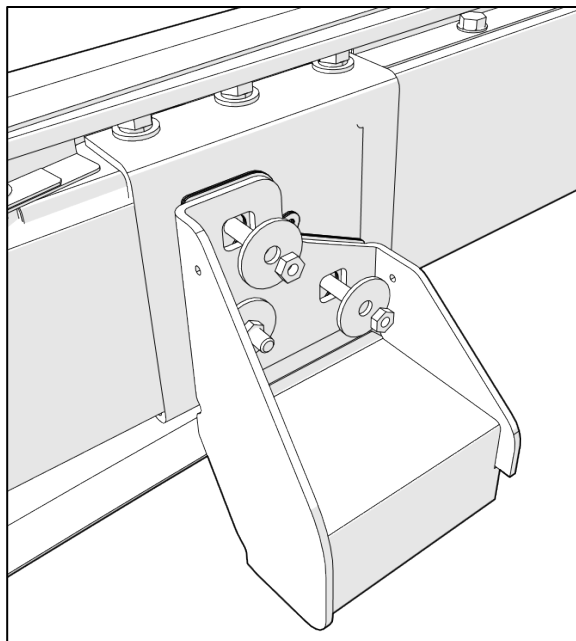


**FIGURE 5**

6. On the right side, loosen the bumper nuts (two) as shown on Figure 6. Do not remove the nuts completely.

***IMPORTANT NOTE***

*Do not loosen the third nut to insure keeping the bumper in place.*

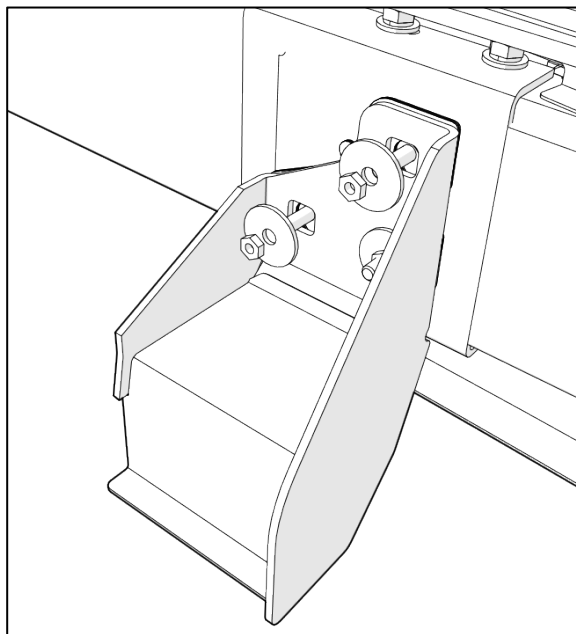


**FIGURE 6**

7. On the left side, loosen the bumper nuts (two) as shown on Figure 7. Do not remove the nuts completely.

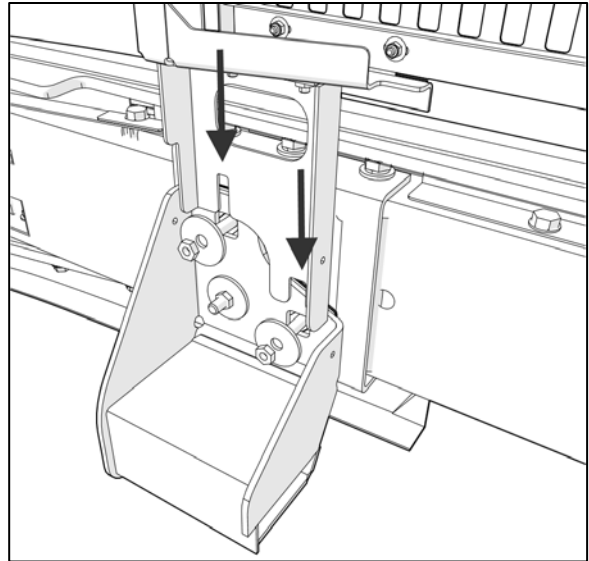
***IMPORTANT NOTE***

*Do not loosen the third nut to insure keeping the bumper in place.*



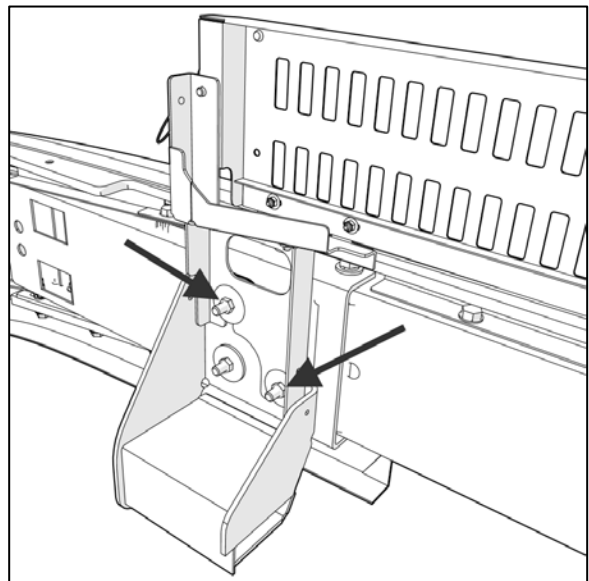
**FIGURE 7**

8. Slide down both brackets behind the bumper nuts and flat washers (Figure 8).



**FIGURE 8**

9. Tighten all bumper nuts (4) (Figure 9).



**FIGURE 9**

10. Tighten all screws supporting the guard yellow grill to the hinge. Repeat on both sides.

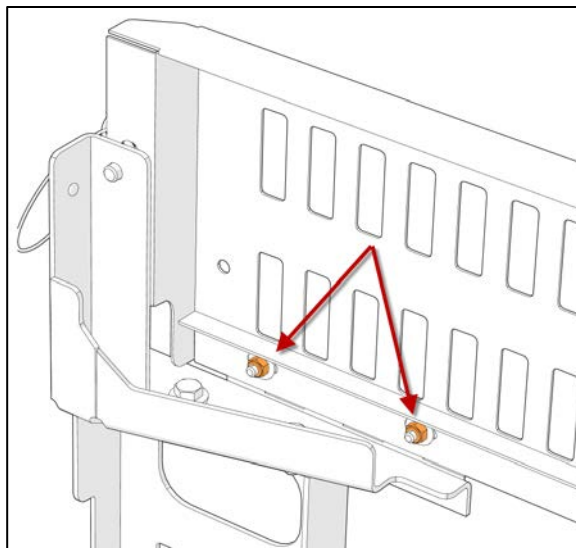


FIGURE 10

11. Make sure the guard is raised and locked in place with the locking pins (2) as shown on Figure 11.
12. Bulletin is complete.

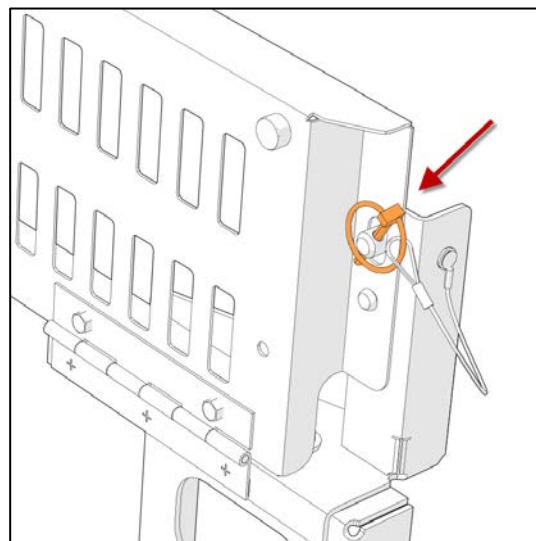


FIGURE 11

## PARTS / WASTE DISPOSAL

Discard waste according to applicable environmental regulations (Municipal/State[Prov.]/ Federal)