



# MAINTENANCE INFORMATION

**MI20-86**

DATE : 11	September 2020	SECTION : 06 ELECTRICAL
SUBJECT :	<b>DRL CONNECTION VERIFICATION</b>	

First Release

09-22-2020

## APPLICATION

Model
Volvo 9700 Model Year : 2020 VIN : From 3CET2V927L5198317 up to 3CET2W424L5201932.

## DESCRIPTION

In the vehicles affected by this bulletin, the DRL harness may be incorrectly attached, therefore, it is necessary to verify the harness attachment.

**This information only applies whenever needed.**

## MATERIAL

Required parts:

Part No.	Description	Qty
563280	FUSE ATM 5A	1

## PROCEDURE



### DANGER

Park vehicle safely, apply parking brake, stop engine. In the battery box, set the battery cut-off switch to the OFF position prior to working on the vehicle.

Lock out & Tag out (LOTO) must be performed during set-up, maintenance or repair activities. Refer to your local procedure for detailed information regarding the control of hazardous energy.

1. Open the front hatch.

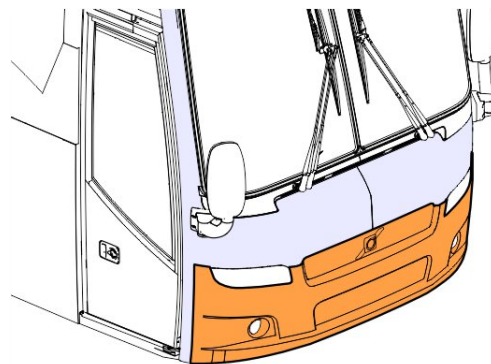


FIGURE 1

2. Verify all connections.

**NOTE**

*Ensure connections are well made.*

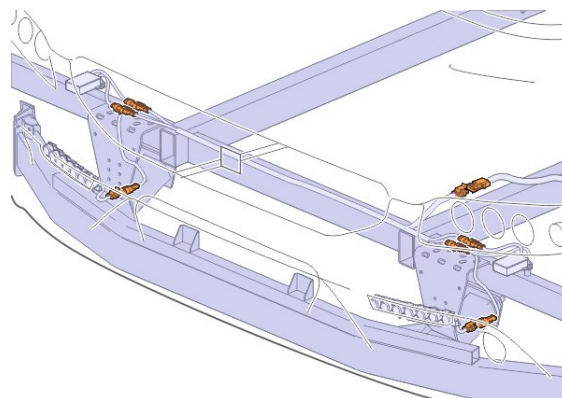


FIGURE 2

3. Verify the harness fixation on frame.

**NOTE**

*Ensure the 4 fixations are well made.*

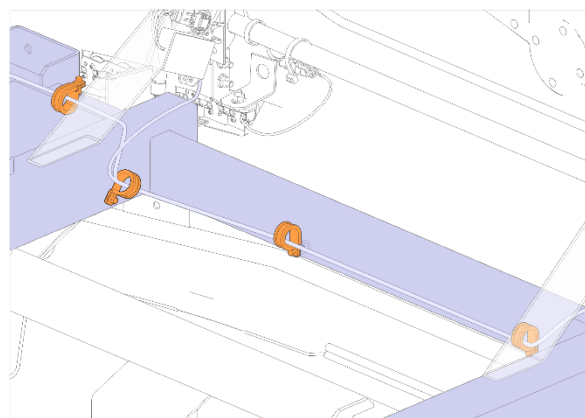
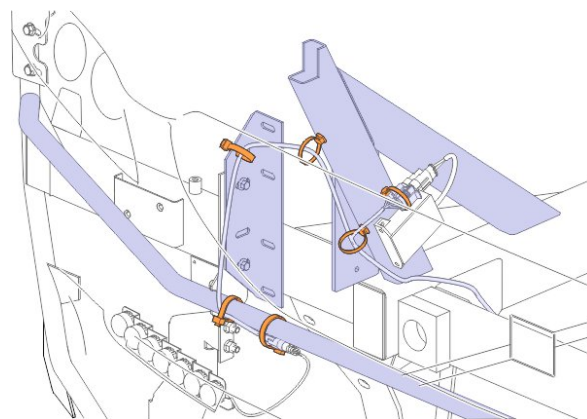


FIGURE 3

4. Verify the harness fixation on the reinforcement of co-pilot side.

**NOTE**

*Ensure the 6 fixations are well made.*

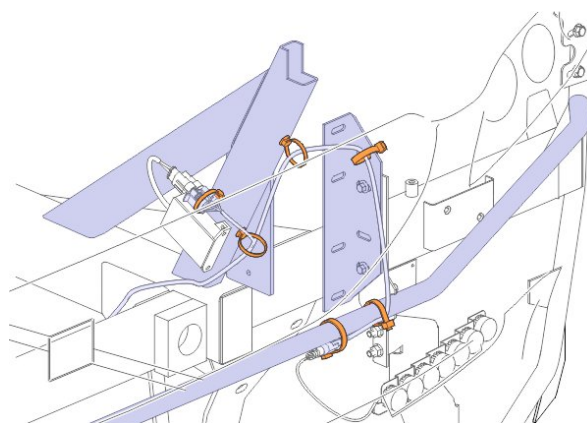


**FIGURE 4**

5. Verify the harness fixation on the reinforcement of driver side.

**NOTE**

*Ensure the 6 fixations are well made.*

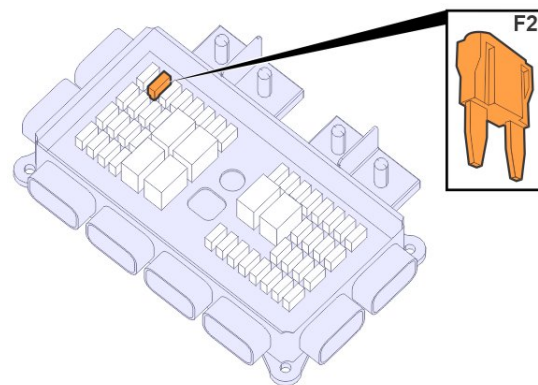


**FIGURE 5**

6. Verify that the fuse (F2) is not blown.

**NOTE**

*If the fuse is blown, replace it with a new one.*



**FIGURE 6**

7. If you need to replace the fuse, use the fuse box tool.

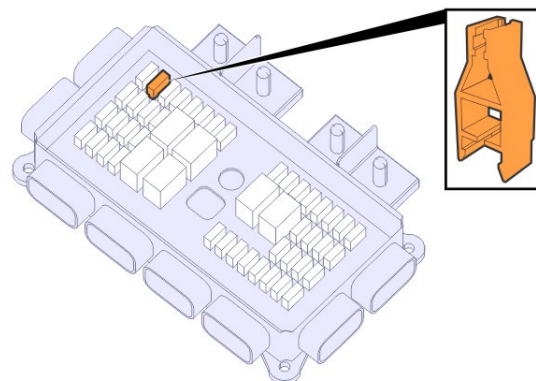


FIGURE 7

8. Close the front hatch.

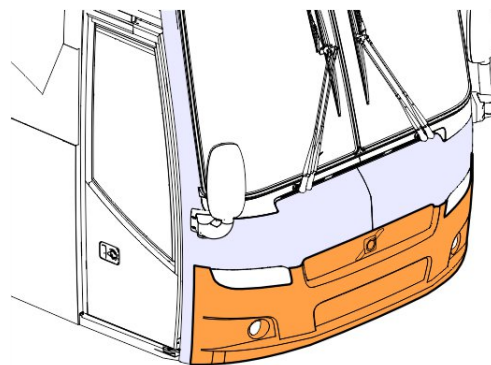


FIGURE 8

## PARTS / WASTE DISPOSAL

Discard according to applicable environmental regulations (Municipal/State[Prov.]/ Federal)