

**PREVOST**

**WARRANTY BULLETIN**

**WB23-06A**

DATE :	March 2023	SECTION :	04 EXHAUST
EXPIRATION:	March 2025		
SUBJECT :	<b>UREA PUMP CONNECTION MISSING</b>		

Revision: A Add information to Depressurized the cooling system 22-03-2023


**MODEL YEAR(S) AND VEHICLE SERIAL NUMBERS (VIN) INVOLVED**


<i>NOTICE TO SERVICE CENTERS</i>	
<i>Verify vehicle eligibility by checking warranty bulletin status with <b>SAP</b> or via <b>ONLINE WARRANTY SYSTEM</b> available on Service / Warranty tab of Prevost website.</i>	
Model	VIN
H3-45 Coaches Model Year: 2023	From 2PCH33498 <u>PC721271</u> up to 2PCH33494 <u>PC721445</u>
VIP 45 Motorhome Model Year: 2023	From 2PCVS3499 <u>PC721348</u> up to 2PCVS3495 <u>PC721444</u>
<p>This bulletin does not necessarily apply to all the above-mentioned vehicles, some vehicles may have been modified before delivery. The owners of the vehicles affected by this bulletin will be advised by a letter indicating the Vehicle Identification Number (VIN) of each vehicle concerned.</p>	

**DESCRIPTION**

On the vehicles affected by this bulletin, follow the procedure to correctly connect the connector over the pump.

**PROCEDURE**

 <p><b>DANGER</b></p>
<p>Park vehicle safely, apply parking brake, stop the engine. In the battery box, set the battery cut-off switch to the OFF position prior to working on the vehicle.</p> <p>Lockout &amp; Tag out (LOTO) must be performed during set-up, maintenance or repair activities. Refer to your local procedure for detailed information regarding the control of hazardous energy.</p>

 <b>CAUTION</b>
WATCH OUT FOR SPILLING COOLANT

### SAFETY PRECAUTIONS

- Eye protection should always be worn when working in a shop.
- Rules for Personal Protection Equipment should always be respected. Wear your PPE including but not limited to the following:



# Safety First!



### MATERIAL NEEDED

Order kit WB23-06 that contains:

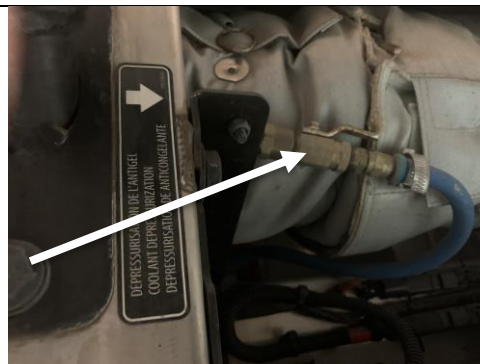
Part No.	Description	Qty
20805109	CONNECTION	2

### NOTE

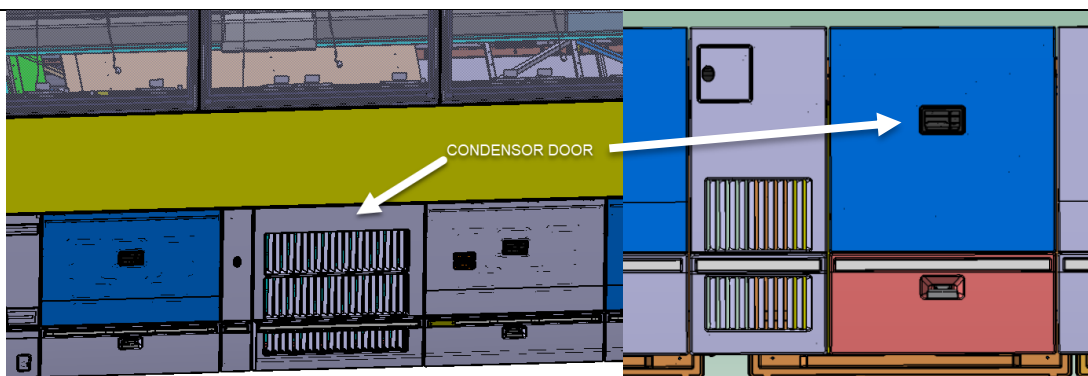
*Material can be obtained through regular channels.*

## Engine door Compartment

- 1- Depressurized the cooling system located at the rear of the vehicle (driver side). Open the engine door and then turn the valve (counterclockwise). Wait 30 seconds and after turning it at the first position.



## Condenser compartment (Big & Small A/C)



- 2- Pinch both hoses with vise-grip. The vise-grip should be covered with rubber or use specific tools to avoid damaging the hose.

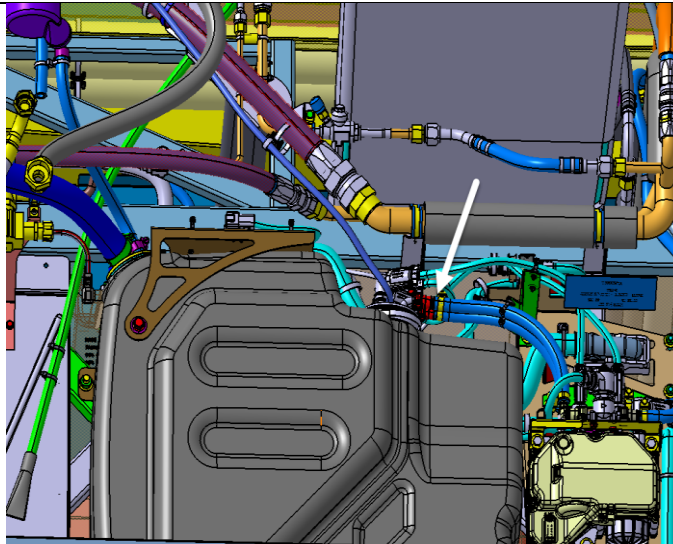
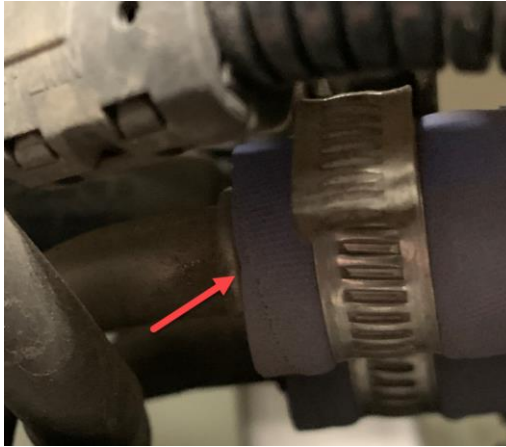


OR

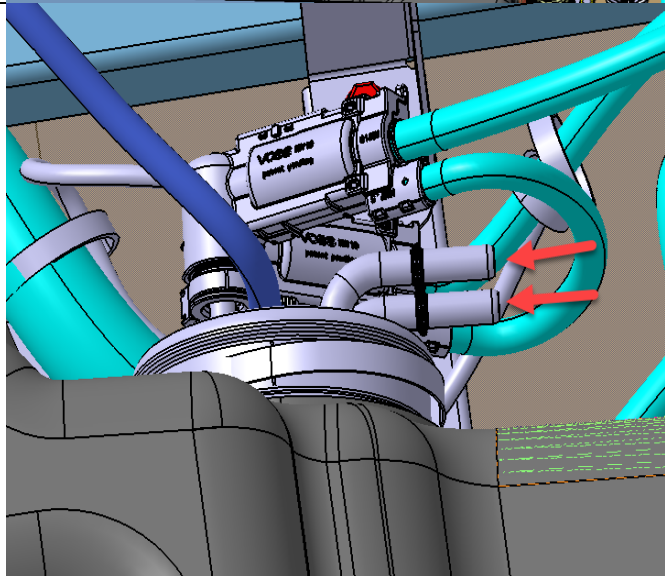


- 3- Put absorbent towels under the hoses and in the compartment.
- 4- Loosen both connections. Be careful coolant can come out.

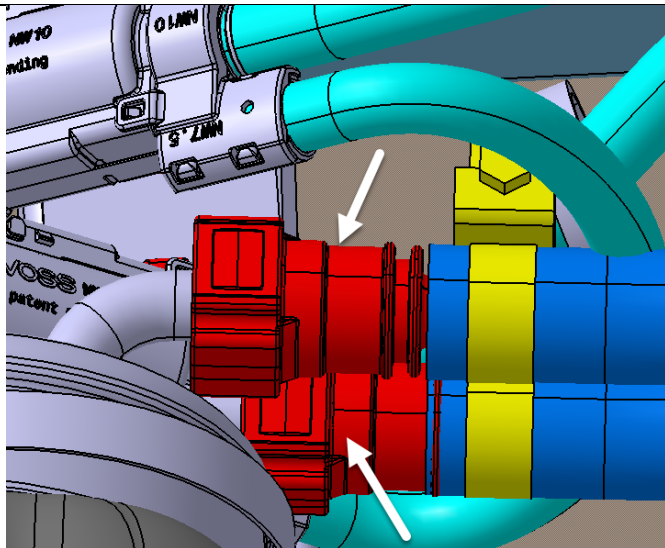
- 5- Unscrew the hose clamp cut the cable tie.



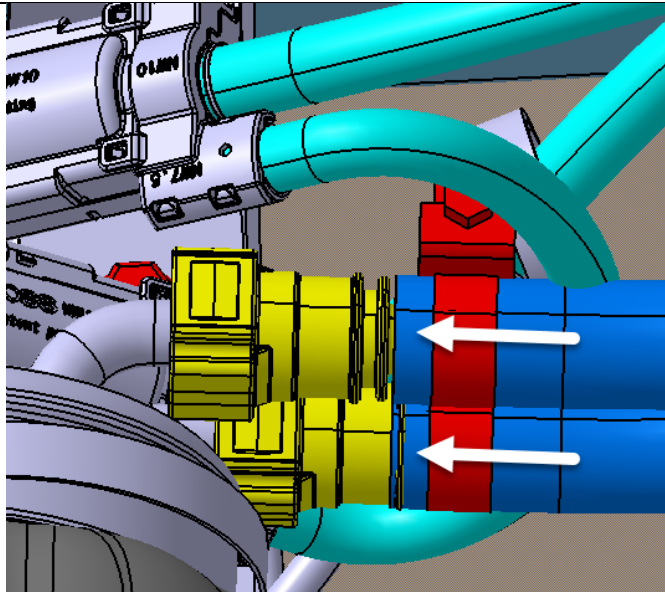
- 6- Insert the connection into the urea tank.



- 7- Put 2x 20805109 connection in the hoses.



- 
- 8- Put the clamp hose CT Caillau 12-22 at a distance of 3mm (1/8") to 10mm (3/8"), from the edge of the casing (see picture).



- 
- 9- Tighten the hose clamp to **30lbs/in.**

- 
- 10- Make sure that the tab of the hose clamp does not interfere with a tube. Install the cable tie removed before.

- 
- 11- Remove the vise-grip

- 
- 12- Clean the compartment
-

## PARTS / WASTE DISPOSAL

DO NOT RETURN THE REPLACED PARTS. Discard waste according to applicable environmental regulations (Municipal/State [Prov.]/ Federal)

## WARRANTY

This modification is covered by Prevost's normal warranty. We will reimburse you the parts and 30 minutes of labor upon receipt of a warranty claim. Please submit claim via our Online Warranty System, available at [www.prevostcar.com](http://www.prevostcar.com) (under Service \ Warranty section). Use Claim Type: "Bulletin/Recall" and select "Warranty Bulletin WB23-06".

## OTHER

VBC Bulletin	N/A
Fail Code	04.04-1
Defect Code	09
Syst. Cond	B
Causal Part	20805109

Access all our Service Bulletins on <http://techpub.prevostcar.com/en/> or scan the QR-Code with your smart phone.  
E-mail us at [technicalpublications\\_prev@volvo.com](mailto:technicalpublications_prev@volvo.com) and type "ADD" in the subject to receive our warranty bulletins by e-mail.



Prevost/Volvo Bus engages in a continuous program of testing and evaluating to provide the best possible product. Prevost/Volvo Bus, however, is not committed to, or liable for updating existing products.