

# PREVOST

## Instruction Sheet

## IS-23528

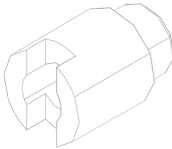
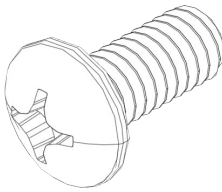

### SEPTIC TANK OUTLET ADAPTER

First Release

10-02-2023

#### MATERIAL

Kit #IS23528 includes the following parts:

Part No	Description		Qty
405827	ADAPTER, SEPTIC TANK		2
500557	SCREW MACHINE PAN PH SS 8-32X3/8		2
502556	WASHER FLAT SS 4.3X9X.8		2
IS-23528	Instruction Sheet		1
FI-23528	Feuille d'instructions		1

Other parts that may be required:

Part No.	Description	Qty
680038	LOCTITE 243 50 ML	X

#### ***NOTE***

*Material can be obtained through regular channels.*

## SAFETY PRECAUTIONS

- Eye protection should always be worn when working in a shop.
- Rules for Personal Protection Equipment should always be respected. Wear your PPE including but not limited to the following:



# Safety First!



## PROCEDURE

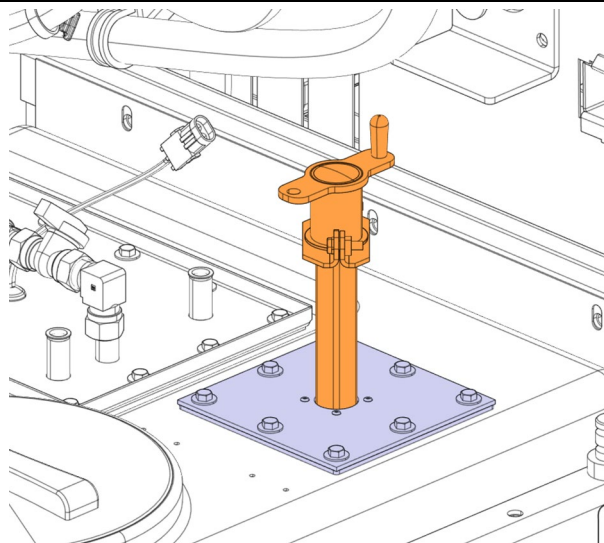


### DANGER

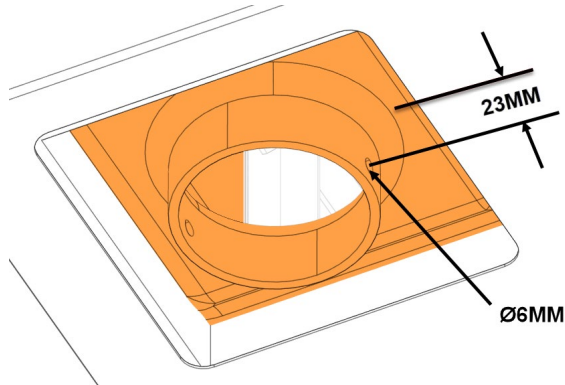
Park vehicle safely, apply parking brake, stop engine. Prior to working on the vehicle, set the ignition switch to the OFF position and trip the main circuit breakers equipped with a trip button. On Commuter type vehicles, set the battery master switch (master cut-out) to the OFF position.

Lock out & Tag out (LOTO) must be performed during set-up, maintenance or repair activities. Refer to your local procedure for detailed information regarding the control of hazardous energy.

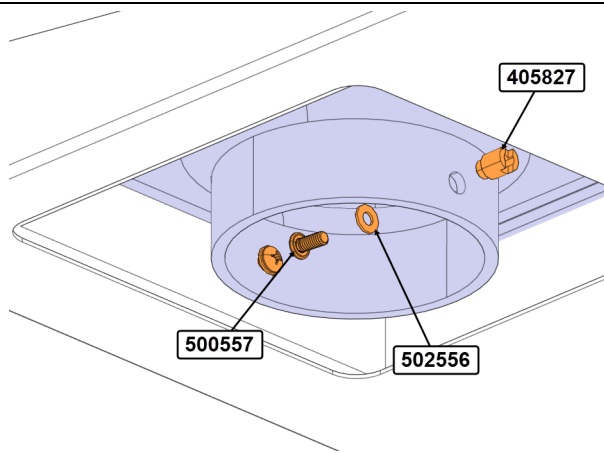
1. Remove drain plug from septic tank.



2. Drill two Ø6 mm holes at a distance of 23mm from the top of the septic tank flange. The holes should be rotated 180° and aligned.



3. Install adapters 405827 (2X) with screws 500557 (2x) and flat washers 502556 (2x).



## PARTS / WASTE DISPOSAL

Discard waste according to applicable environmental regulations (Municipal/State[Prov.]/ Federal)