

PREVOST

Instruction Sheet

IS-23518

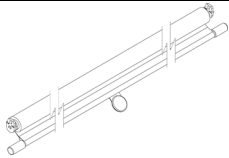
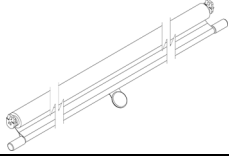
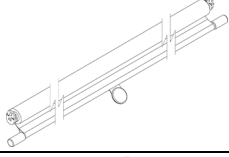
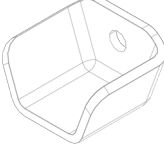
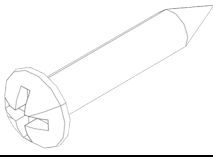
PASSENGER BLINDS INSTALLATION

First Release

10-02-2023

MATERIAL

Kit #IS23518 includes the following parts:

Part No	Description		Qty
901355	REAR WINDOW BLIND 653 MM		2
901354	TRAPEZOIDAL WINDOW BLIND 783 MM		2
901346	WINDOW BLIND 1506.5 MM		10
903227	HOOK		64
500640	SCREW PH Z050 #6 X 3/4" LG		64
IS-23518	Instruction Sheet		1
FI-23518	Feuille d'instructions		1

NOTE

Material can be obtained through regular channels.

SAFETY PRECAUTIONS

- Eye protection should always be worn when working in a shop.
- Rules for Personal Protection Equipment should always be respected. Wear your PPE including but not limited to the following:



Safety First!



PROCEDURE



DANGER

Park vehicle safely, apply parking brake, stop engine. Prior to working on the vehicle, set the ignition switch to the OFF position and trip the main circuit breakers equipped with a trip button. On Commuter type vehicles, set the battery master switch (master cut-out) to the OFF position.

Lock out & Tag out (LOTO) must be performed during set-up, maintenance or repair activities. Refer to your local procedure for detailed information regarding the control of hazardous energy.



CAUTION

Installation request two workers. Be careful when installing the blinds to avoid scratching the plastic moulding around the working area.

BLIND INSTALLATION

1. Install long nose vice grip pliers on both plastic supports as shown in Figure 1. Grind the nose of the pliers to make it thinner.



FIGURE 1

2. Make sure the screw of the blind handle is on the window side.

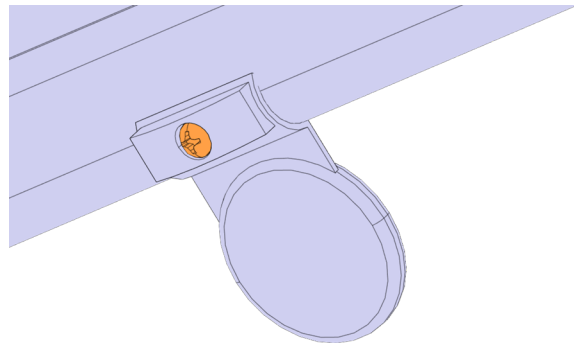


FIGURE 2

3. Rotate the support to adjust the spring tension. Use table below for the number of full rotations according to the blind.

SPRING PRE-LOADING		
DESCRIPTION	PART NO.	FULL ROTATION
REAR WINDOW BLIND 635MM	901355	8
TRAPEZOIDAL WINDOW BLIND 783MM	901354	8
WINDOW BLIND 1506.5MM	901346	10

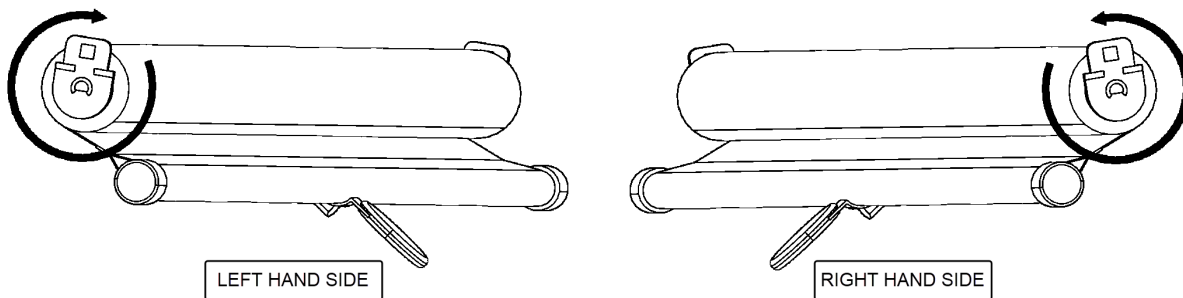


FIGURE 3

4. Pull the blind slightly down and make sure the tension is ok..
5. Install blind and make sure the supports are locked in place.

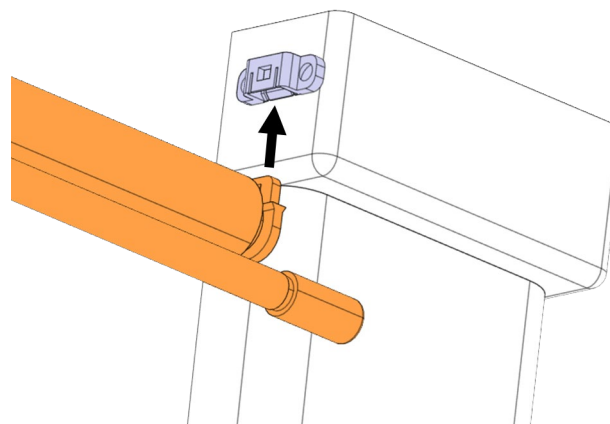


FIGURE 4

6. Install blind and make sure the supports are locked in place.



ATTENTION

Blinds have shaft on both ends. Make sure the ends of the shafts do not scratch the plastic mouldings around the working area.

HOOK INSTALLATION

1. Position the hook inside the recess. Press it towards the top of the window and towards the window.
2. Drill a hole $\text{\O}1/8''$ using hook as jig.

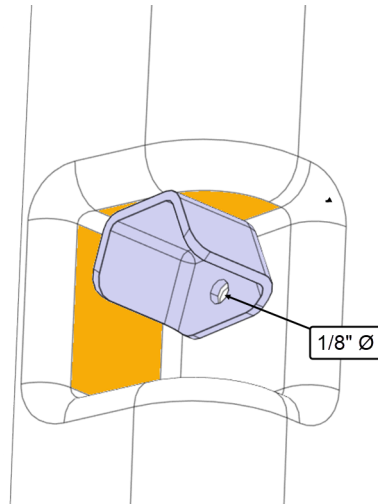


FIGURE 5

3. Install hook with one screw 500640.
4. Repeat previous steps for all windows (four hooks per windows).

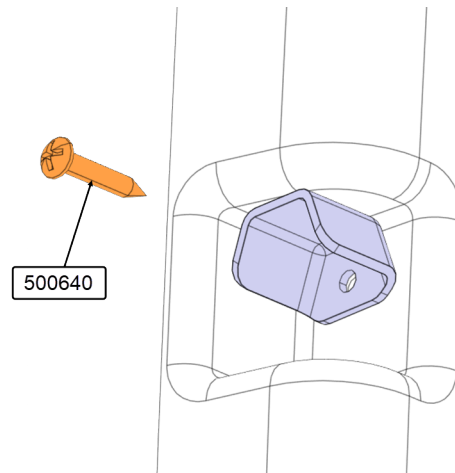


FIGURE 6

PARTS / WASTE DISPOSAL

Discard waste according to applicable environmental regulations (Municipal/State[Prov.]/ Federal)