

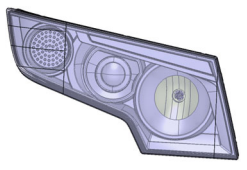
# PREVOST

## Instruction Sheet

## IS-23073-1A

### H3 SERIES LED HEADLAMPS RETROFIT (Without Daytime Running Light, US Operators only)

Use this kit in replacement of the following xenon or halogen headlamps

TYPE	R.H.	L.H.	
XENON	930426	930425	
	930014	930013	
HALOGEN	930403	930402	
	930011	930010	

Revision: A PARTS NUMBER CHANGE

01-29-2025

## MATERIAL

Order the following parts:

Part No.	Description	Qty
430326	LEFT HEADLAMP LED H3	1
430331	RIGHT HEADLAMP LED H3	1

And order kit **IS23073-1** includes the following parts:

Part No.	Description	Qty
470095	WATER DEFLECTOR EXTRUSION	3 ft
IS-23073-1	INSTRUCTION SHEET	1
FI-23073-2	FEUILLE D'INSTRUCTION	1

### NOTE

*Material can be obtained through regular channels.*

## SAFETY PRECAUTIONS

- Eye protection should always be worn when working in a shop.
- Rules for Personal Protection Equipment should always be respected. Wear your PPE including but not limited to the following:



# Safety First!



## PROCEDURE



### DANGER

Park vehicle safely, apply parking brake, stop the engine. Prior to working on the vehicle, set the ignition switch to the OFF position and trip the main circuit breakers equipped with a trip button. On Commuter type vehicles, set the battery master switch (master cut-out) to the OFF position.

Lockout & Tag out (LOTO) must be performed during set-up, maintenance or repair activities. Refer to your local procedure for detailed information regarding the control of hazardous energy.

## HEADLAMP REMOVAL

1. Open front service door.

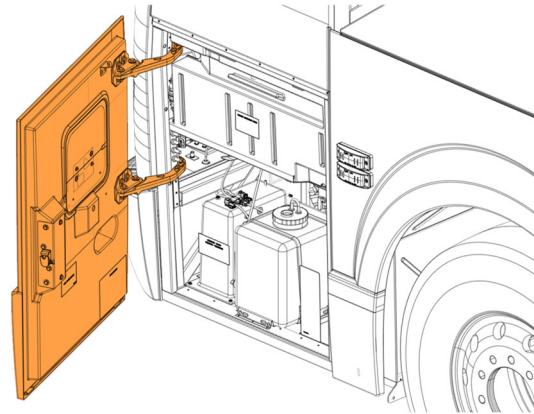


FIGURE 1

2. Pull the bumper release handle.

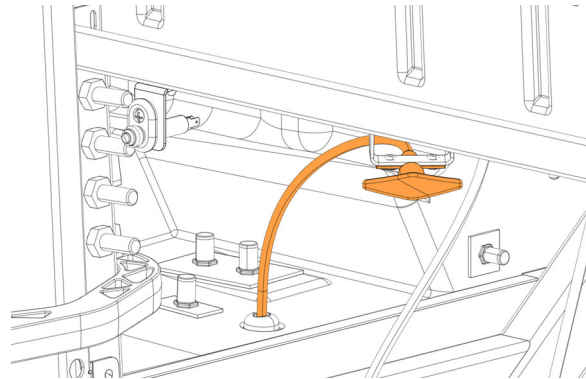


FIGURE 2

3. Open bumper.

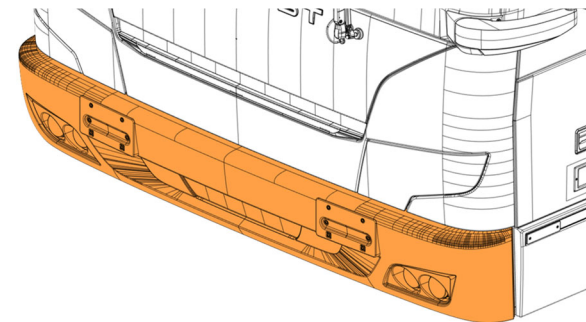


FIGURE 3

4. Loosen the two (2) bolts shown.

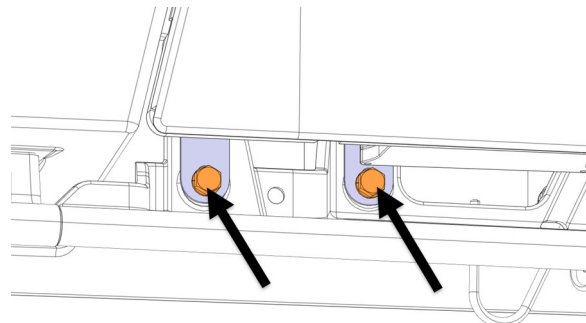


FIGURE 4

- 
5. Pull the rod shown to flip the headlamps assembly.

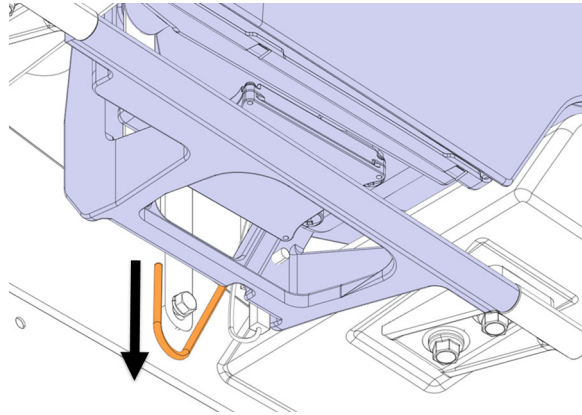


FIGURE 5

- 
6. Unscrew and remove five (5) nuts and washers shown.

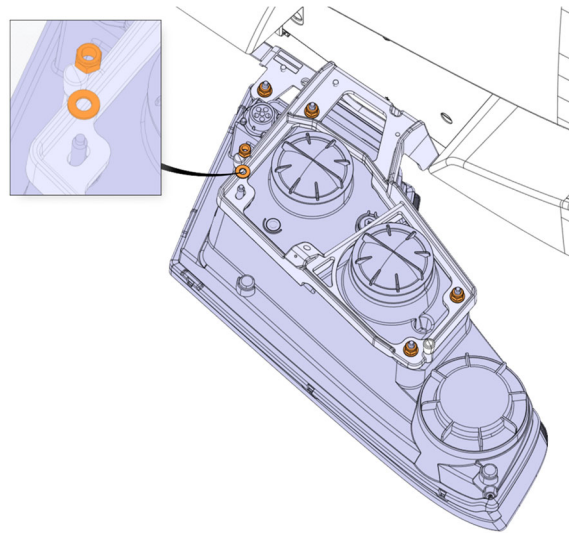


FIGURE 6

- 
7. Disconnect the headlamp and remove.

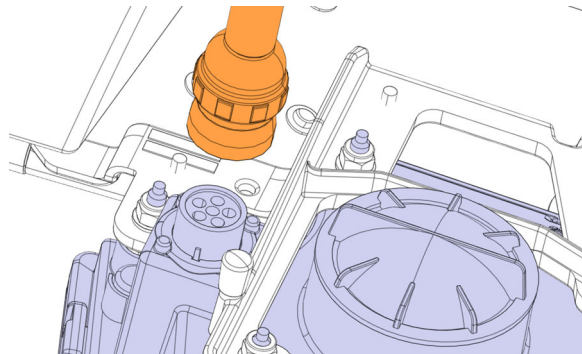


FIGURE 7

## WATER DEFLECTOR INSTALLATION ON RIGHT-HAND HEADLAMP

1. Cut two pieces of raw water deflector extrusion 470095 in accordance with the following measures.

- A) 366 mm
- B) 244 mm

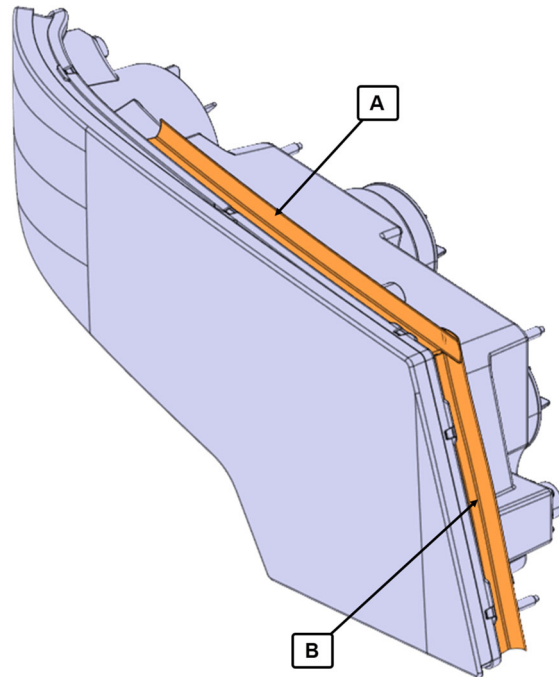


FIGURE 8

2. Cut two notches (Figure 10) on each water deflector to clear the embossed part (Figure 9) of the headlamp housing.

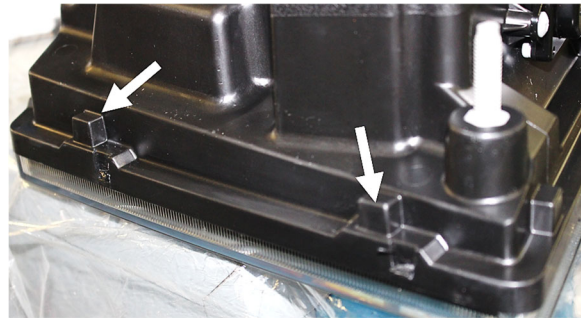


FIGURE 9



FIGURE 10

3. Stick the water deflector on the surface shown.

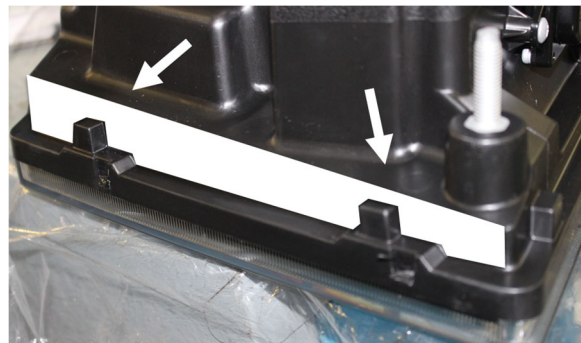


FIGURE 11

4. Install water deflectors on the headlamp 430331.

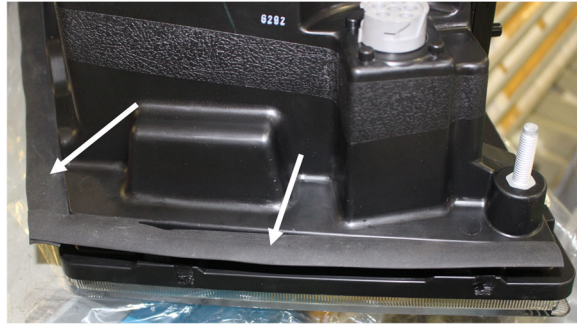


FIGURE 12

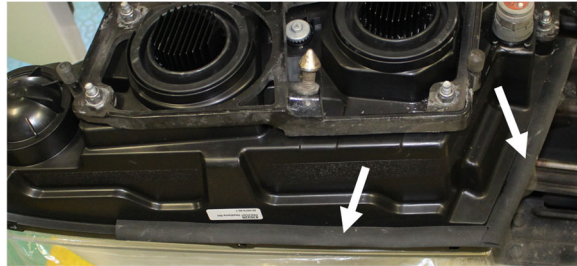


FIGURE 13



FIGURE 14

## HEADLAMP INSTALLATION

1. Install the new led headlamp 430326 (left) and 430331 (right).
2. Reinstall five (5) washers.
3. Reinstall five (5) nuts. Tighten by hand only.

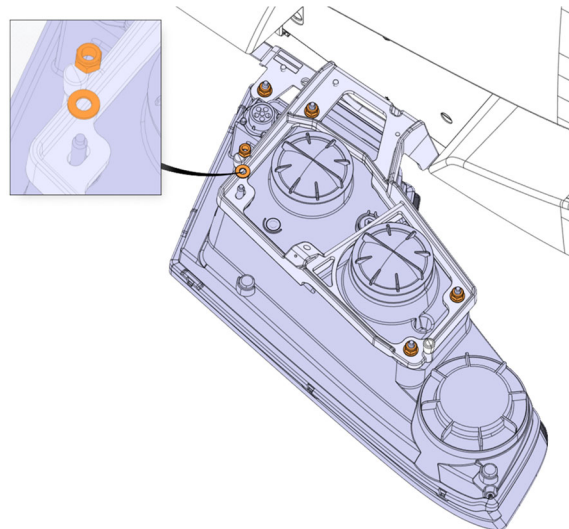


FIGURE 15

4. Adjust the headlamp vertically.
5. The gap shown in red on **Figure 17** should be  $5 \pm 2$  mm.

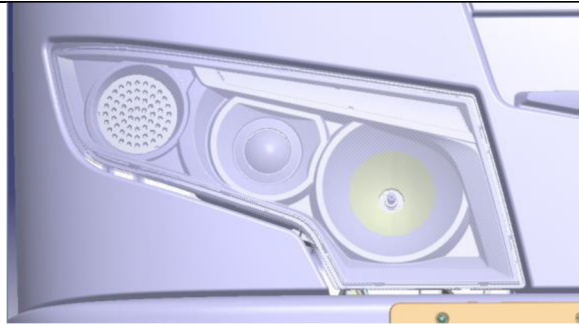


FIGURE 16

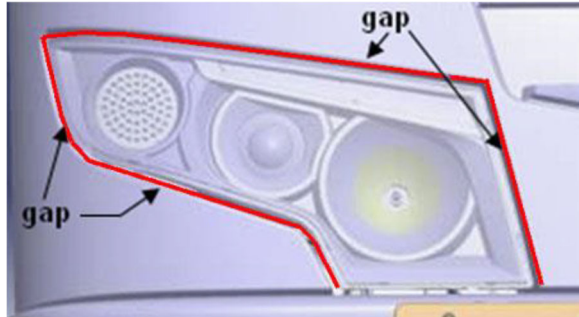


FIGURE 17

6. Flip the headlamp and tighten the five (5) nuts shown. Prescribed torque: 10 ft-lbs.

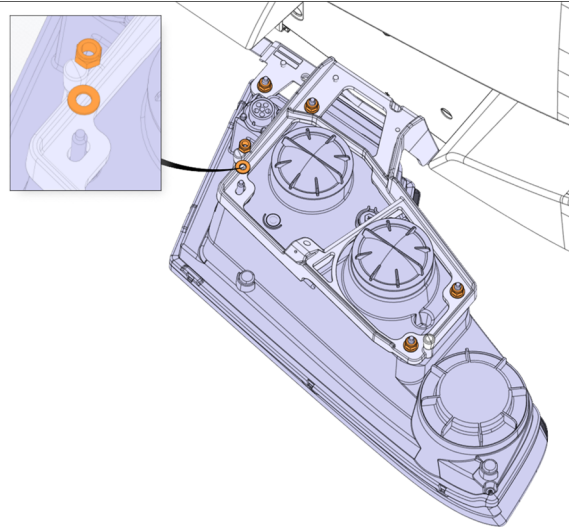


FIGURE 18

Once the headlamp is properly positioned, tighten the two (2) bolts shown.

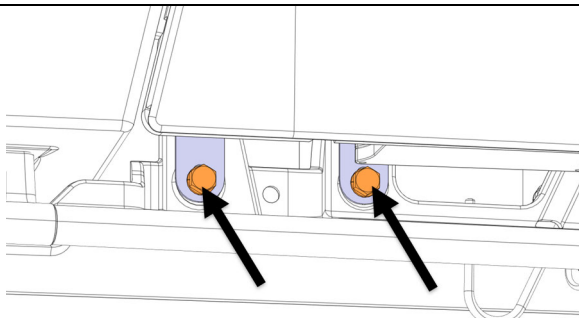


FIGURE 19

## PARAMETER PROGRAMMING WITH VPG SOFTWARE TOOL

- In VPG, set parameter.
  - DAYTIME set to no.
  - XENONL set to Yes.

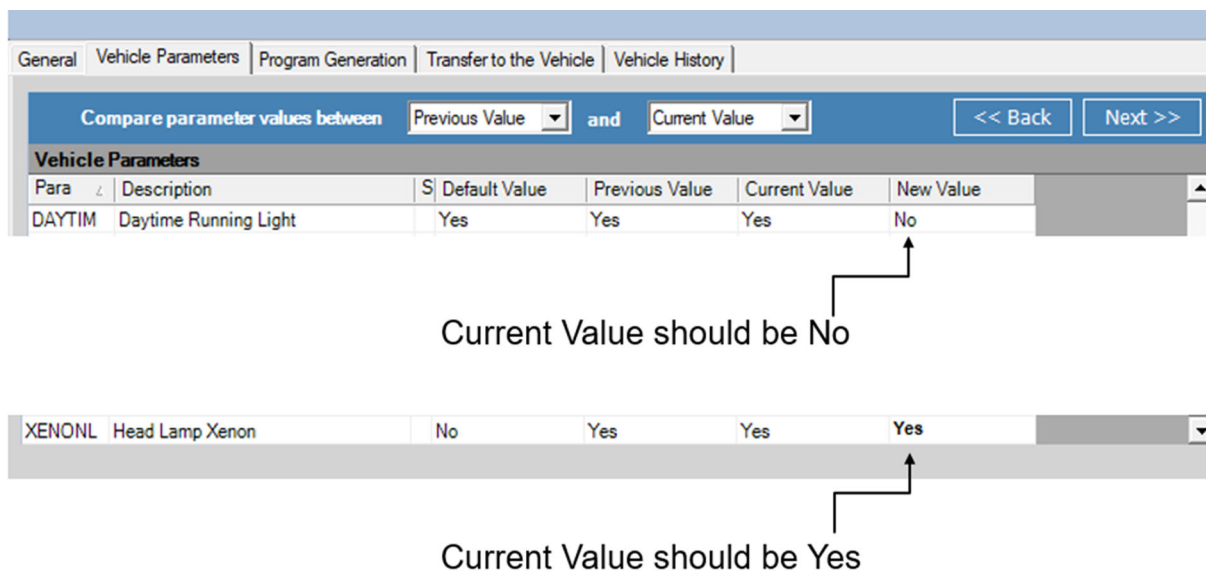


FIGURE 20

## HEADLAMP AIM

- Headlamps must be properly aimed to provide maximum allowable road illumination. Aiming can be performed without opening headlamps assembly. Vertical aiming of each module is provided by one adjusting screw that pivots the entire module in the housing for the proper alignment. There is no adjustment for focus since the module is set for proper focus during manufacturing assembly.

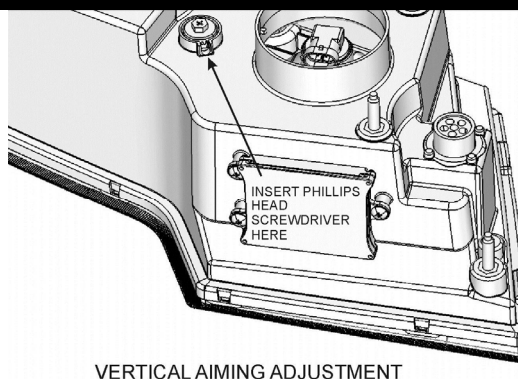


FIGURE 21

- Refer to HEADLAMPS ADJUSTMENT in Section 06: ELECTRICAL of your Maintenance Manual.

## PARTS / WASTE DISPOSAL

Discard waste according to applicable environmental regulations (Municipal/State[Prov.]/ Federal)