

# PREVOST

## WARRANTY BULLETIN



**WB24-17**

DATE :	May 2024	SECTION :	18 BODY
EXPIRATION:	May 2026		
SUBJECT :	<b>REINFORCEMENT OF PVC PIPES FASTENING INSIDE BAGGAGE COMPARTMENTS</b>		

First Release

05-17-2024




### APPLICATION

<b>NOTICE TO SERVICE CENTERS</b> <i>Verify vehicle eligibility by checking warranty bulletin status with <b>SAP</b> or via <b>ONLINE WARRANTY SYSTEM</b> available on Service / Warranty tab of Prevost website.</i>	
<b>Model</b>	<b>VIN</b>
H3-45 coaches Model Year: 2024	<div style="display: flex; align-items: center; justify-content: center;">  <div style="margin: 0 10px;"> <small>V.I.N. ***** PREVOST CAR INC. 1151 Green Road, Ottawa, Ontario</small> </div>  </div> From 2PCH33491 <u>RC721552</u> up to 2PCH33497 <u>RC721586</u> incl.
<small>This bulletin does not necessarily apply to all the above-mentioned vehicles, some vehicles may have been modified before delivery. The owners of the vehicles affected by this bulletin will be advised by a letter indicating the Vehicle Identification Number (VIN) of each vehicle concerned.</small>	

### DESCRIPTION

On the vehicles affected by this bulletin, hose clamps need to be added to fasten PVC pipes inside baggage compartments.

**MATERIAL**Order kit **WB24-17** which contains the following parts:

Part No.	Description	Qty
211136	SUPPORT 	3
500957	SCREW, TAPPING BDG PH N500 #10X3/4 	3
504026	HOSE CLAMP SS/CS 71-95 	3

***NOTE****Material can be obtained through regular channels.*

## SAFETY PRECAUTIONS

- Eye protection should always be worn when working in a shop.
- Rules for Personal Protection Equipment should always be respected. Wear your PPE including but not limited to the following:



# Safety First!



## PROCEDURE



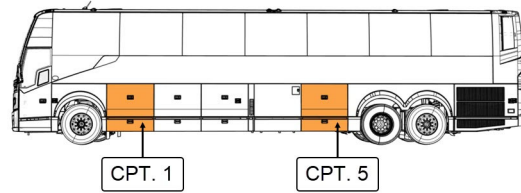
### DANGER

Park vehicle safely, apply parking brake, stop the engine. Prior to working on the vehicle, set the ignition switch to the OFF position and trip the main circuit breakers equipped with a trip button. On the Commuter type vehicles, set the battery master switch (master cut-out) to the OFF position.

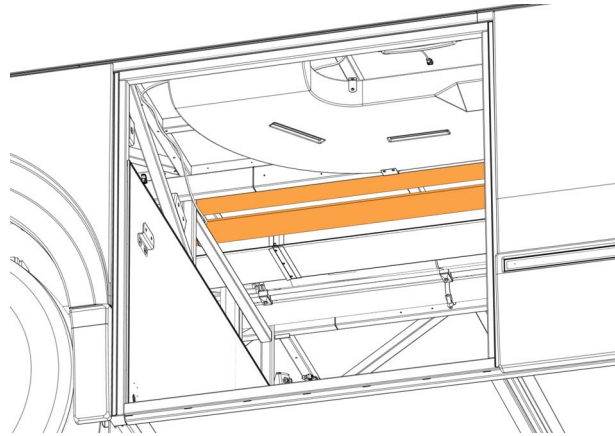
Lockout & Tag out (LOTO) must be performed during set-up, maintenance or repair activities. Refer to your local procedure for detailed information regarding the control of hazardous energy.

## PVC PIPES LOCATION

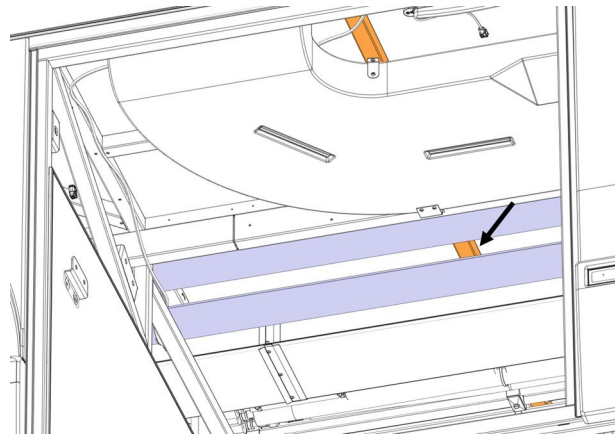
1. Open first and fifth streetside baggage compartment doors.



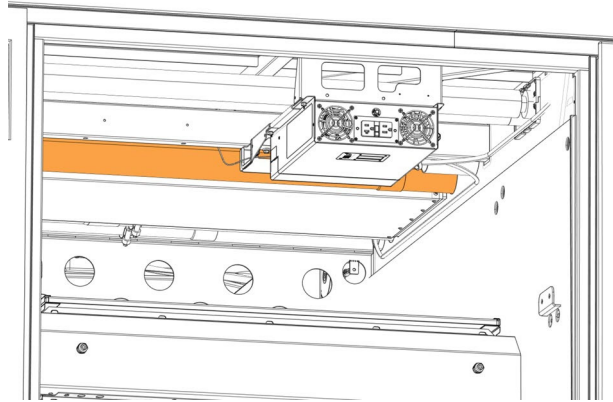
2. Locate the two (2) PVC pipes to be fastened at the top of the first baggage compartment.



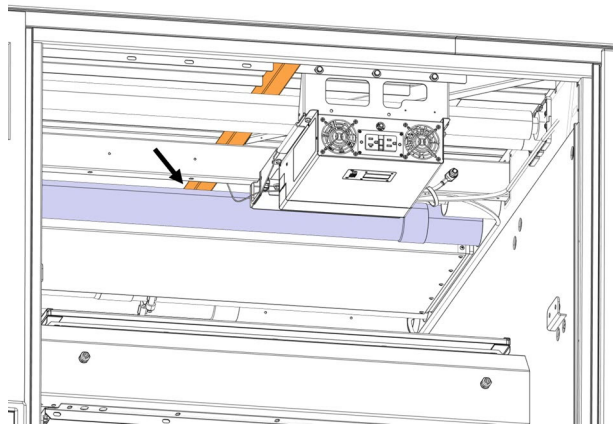
3. Locate the structure tube to which PVC pipes will be attached inside the first baggage compartment.



4. Locate the PVC pipe to be fastened at the top of the fifth baggage compartment.

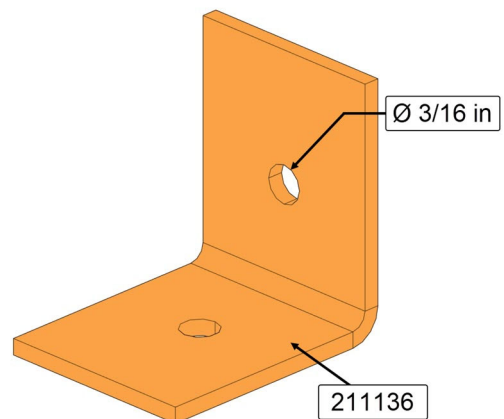


5. Locate the structure tube to which PVC pipe will be attached inside the fifth baggage compartment.

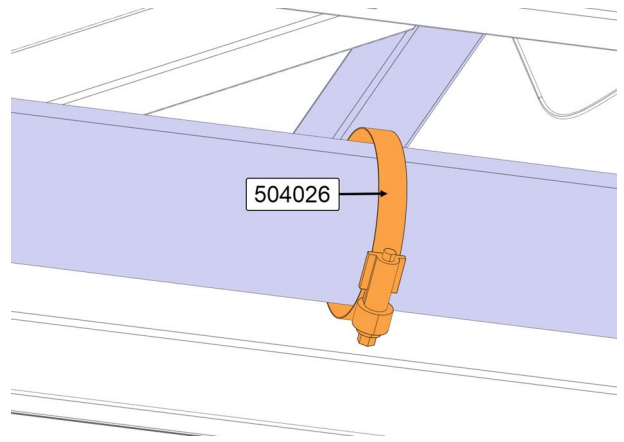


### INSTALLATION OF HOSE CLAMPS

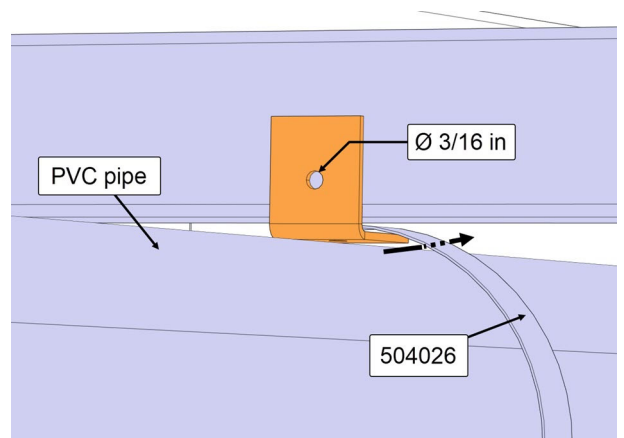
1. Use a 3/16-inch drill bit to enlarge one of the existing holes on the support 211136.



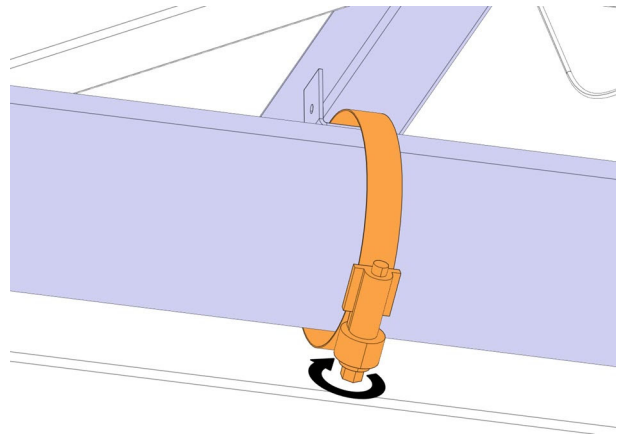
2. Loosen the hose clamp 504026 and detach the clamp's band.
3. Attach the hose clamp around the PVC pipe.



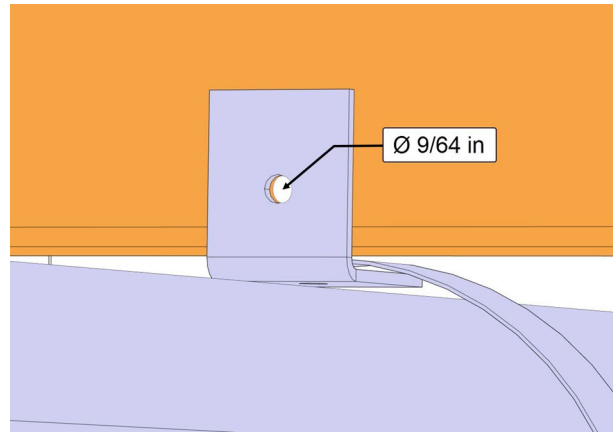
4. Insert the support 211136 inside the hose clamp.
5. Place the 3/16-inch hole adjacent to the structure tube.



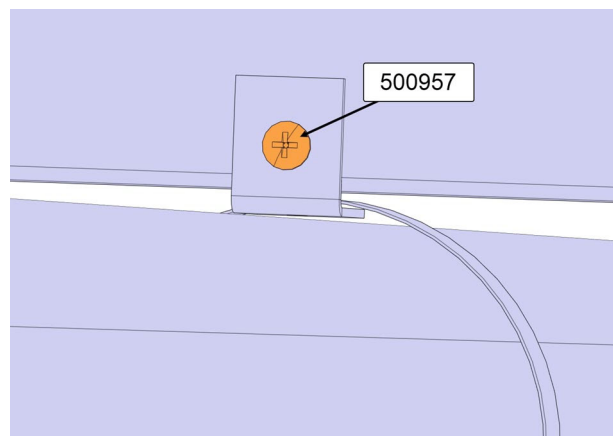
6. Tighten the hose clamp to secure support in place.



7. Use the support as a template to drill a 9/64-inch diameter hole through the structure tube.



8. Fasten the support to the structure tube with screw 500957 to secure pipe.



9. Repeat the steps for the two other pipes.

10. Close baggage compartment doors.

## PARTS / WASTE DISPOSAL

DO NOT RETURN THE REPLACED PARTS. Discard waste according to applicable environmental regulations (Municipal/State[Prov.]/ Federal)

## WARRANTY

This modification is covered by Prevost's normal warranty. We will reimburse you the parts and 1 hour of labor upon receipt of a warranty claim. Please submit claim via our Online Warranty System, available at [www.prevostcar.com](http://www.prevostcar.com) (under Service \ Warranty section).

- Use Claim Type: "Bulletin/Recall" and select "Warranty Bulletin WB24-17".

## OTHER

VBC Bulletin	N/A
Fail Code	18.08
Defect Code	09
Syst. Cond	B
Causal Part	211136

Access all our Service Bulletins on  
<http://techpub.prevostcar.com/en/>  
or scan the QR-Code with your smart phone.



**Are you a Vehicle owner?** E-mail us at  
***technicalpublications\_prev@volvo.com*** and type "ADD" in the  
subject to receive warranty bulletins applicable to your vehicle(s)  
by e-mail.