



Repair and Testing Instructions for T1 Alternator 0120 689 552



Modifications

Edition	Date	Name	Modifications
001	8/28/98	I. Serra	Original
002	12/4/98	I. Serra	Update 8.98 Instructions



Table of contents

1	GENERAL	5
2	SAFETY PRECAUTIONS.....	6
2.1	SPECIAL TOOL USAGE.....	6
2.2	FIRE RISK.....	6
2.3	SKIN PROTECTION	6
2.4	COMPRESSED AIR.....	6
2.5	EXPLOSION RISK.....	6
3	SPECIFICATIONS	7
3.1	ELECTRICAL TEST SPECIFICATIONS	7
3.2	MECHANICAL TEST SPECIFICATIONS.....	8
3.3	TIGHTENING TORQUES.....	8
4	ALTERNATOR SCHEMATIC	9
5	ALTERNATOR CODING.....	10
6	PARTS CLEANING	11
7	TOOLS, TEST EQUIPMENT LUBRICANTS AND ADHESIVES.....	12
7.1	TEST EQUIPMENT	12
7.2	SPECIAL TOOLS	12
7.3	LUBRICANTS AND ADHESIVES	13
7.3.1	<i>Lubricant Quantities</i>	13
8	EXPLODED VIEW.....	14
9	ALTERNATOR DISASSEMBLY AND TESTING.....	15
9.1	REAR COVER REMOVAL	15
9.2	VOLTAGE REGULATOR REMOVAL.....	15
9.2.1	<i>Brush Replacement</i>	16
9.3	NOISE SUPPRESSION CAPACITOR TESTING AND REMOVAL.....	16
9.4	PULLEY AND FAN REMOVAL.....	17
9.5	SEPARATION OF DRIVE SHIELD AND COLLECTOR END SHIELD	17
9.6	RECTIFIER ASSEMBLY TESTING	18
9.7	REMOVAL AND TESTING OF STATOR ASSEMBLY	19
9.8	RECTIFIER ASSEMBLY REMOVAL	20
9.9	DAMPENING RESISTOR TESTING AND REMOVAL	21
9.10	REMOVAL OF COLLECTOR END SHIELD BEARING AND SEAL.....	21
9.11	REMOVAL OF SLIDING BUSHING IN COLLECTOR END SHIELD	22
9.12	REMOVAL OF ROTOR FROM DRIVE END SHIELD.....	22
9.13	REMOVAL OF BEARING AND SEAL FROM DRIVE END SHIELD	24
9.14	REMOVAL OF COLLECTOR RING END INNER BEARING RACE FROM ROTOR.....	24
9.15	ROTOR INSPECTION	25
9.16	COLLECTOR RING REPLACEMENT.....	26
10	ALTERNATOR ASSEMBLY.....	27
10.1	ROTOR ASSEMBLY	27
10.2	DRIVE END SHIELD ASSEMBLY.....	28



10.3	COLLECTOR RING END SHIELD ASSEMBLY	29
10.4	RECTIFIER ASSEMBLY	30
10.5	STATOR ASSEMBLY	32
10.6	ROTOR AND DRIVE END SHIELD INSTALLATION	32
10.7	REGULATOR AND CAPACITOR INSTALLATION	33
11	FUNCTIONAL TESTING	35
11.1	GENERAL INFORMATION	35
11.1.1	<i>Power Output Tests</i>	35
11.1.2	<i>Voltage Trace Evaluation</i>	35
11.2	POWER OUTPUT TESTING	35
11.2.1	<i>Test Bench Mounting</i>	35
11.2.2	<i>Power Output Test</i>	36
11.3	VOLTAGE TRACE EVALUATION	37
11.3.1	<i>Oscilloscope Hook-up</i>	37
11.3.2	<i>Normal Pattern</i>	38
11.3.3	<i>Open Exciter Diode</i>	39
11.3.4	<i>Open Positive Rectifier Diode</i>	40
11.3.5	<i>Open Negative Rectifier Diode</i>	41
11.3.6	<i>Shorted Exciter Diode</i>	42
11.3.7	<i>Shorted Positive Rectifier Diode</i>	43
11.3.8	<i>Shorted Negative Rectifier Diode</i>	44
11.3.9	<i>Open Phase of Stator</i>	45



1 General

This manual contains repair and testing instructions with corresponding test specifications for the 0 120 689 5... series alternators.

T1 (RL) 28V 70/140A

Note: Alternator 0 120 689 543 was utilized in preparing these instructions.



2 Safety Precautions

2.1 Special Tool Usage



The use of incorrect or unsuitable tools and test equipment can lead to personal injury and may damage the alternator or its component parts. Only use tools that are specified in this instruction or meet the specification of the recommended tools.

2.2 Fire Risk



To provide radio interference suppression, the alternator is equipped with capacitors with a long storage time. Cleaning of alternator components may cause an electrical discharge when they are immersed in cleaning fluid. This discharge may cause combustible liquids to ignite.

2.3 Skin Protection



To avoid skin irritation when handling oils and greases, apply protective gloves or creams before starting work and wash off hands with soap and water when servicing has been completed.

2.4 Compressed Air



Only use compressed air regulated to a maximum of 4 Bar (60 PSI), and a clean cloth for cleaning of the armature, excitation windings and alternator plates.

2.5 Explosion Risk



Avoid exposure to fire, open flame and sparks. Thoroughly dry all cleaned parts as gases could form from the cleaning process and may cause an explosion.



3 Specifications

3.1 Electrical Test Specifications

Interference suppression capacitor	1.8 ... 2.6 μ F (microfarad)
Load current less than/equal to 10A	27.6 ... 28.4 V (volts, regulated)
Damping Resistance	3.1 ... 3.5 k Ω (kilohms)
Stator Resistance	0.036 Ω (-0/+10%) T1 (RL) 28V70/140A
Rotor Resistance	7.5 Ω (-0/+10%) T1 (RL) 28V70/140A

Power Output Test

Alternator	Speed (RPM)	Load Current - Inductive (A)	Test Duration (Min)
T1 (RL) 28V70/140 A	1500	76	30
	6000	136	10

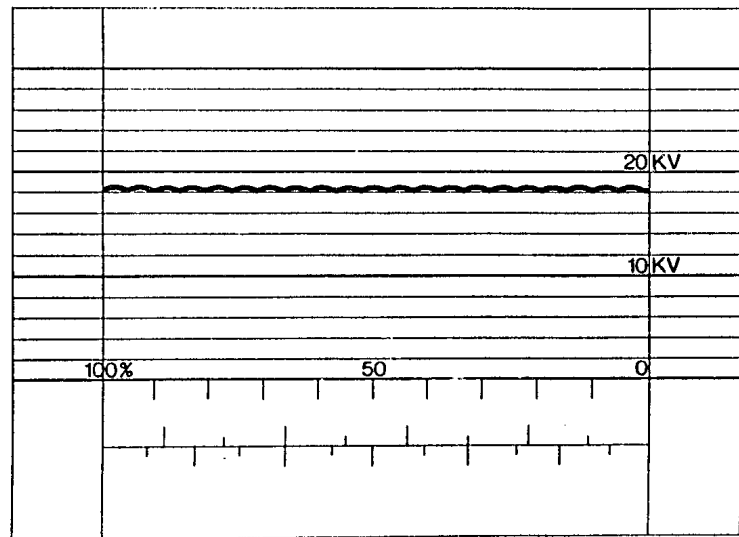
Following completion of the output test, allow alternator to run at 7000 rpm for one minute.

Oscilloscope Pattern

This image represents a properly functioning alternator. The D.C. voltage produced has a small harmonic wave.

Small spikes may be superimposed on the oscilloscope screen if the voltage regulator is regulating. Applying a load to the alternator output terminals can turn off the regulator.

In order to be able to compare oscilloscope images, the oscilloscope so the pattern fits between two vertical 10x divisions.



KME00052

Figure 1 Normal Oscilloscope Pattern



3.2 Mechanical Test Specifications

Rotor to Stator Air Gap (Between any side of stator and rotor)		Greater than 0.3 mm (0.012 in)
Eccentricity (Rotor mounted at bearing points)	Outer Diameter Of Rotor	0.05 mm (0.002 in) maximum
	Outer Diameter Of Collector Rings	0.03 mm (0.0012 in) maximum
Collector ring diameter	New	32.5 mm (1.279 in)
	Used	31.5 mm (1.240 in) minimum
Carbon Brush Projection	New	16.0 mm (0.630 in) minimum
	Used	7.0 mm (0.275 in) minimum

3.3 Tightening Torques

Item Number	Description	Metric (Nm)	SAE
55	Air Intake Stud	3.0 ... 3.4	26.5 ... 30.1 in. lbs.
66	D+ Terminal	2.4 ... 3.2	21.2 ... 28.3 in. lbs.
29	B+ Terminal, B- Terminal	10.0 ... 13.0	88.5 ... 115 in. lbs.
37	W Terminal	4.1 ... 5.5	36.3 ... 48.7 in. lbs.
15	Voltage Regulator	1.3 ... 1.7	11.5 ... 15.0 in. lbs.
43	Capacitor Mounting Screw	4.3 ... 5.7	38.0 ... 50.4 in. lbs.
23	Rectifier Mounting Screw	1.3 ... 1.7	11.5 ... 15.0 in. lbs.
21	Drive End Shield to Collector Ring Shield	7.2 ... 9.7	63.7 ... 85.9 in. lbs.
5	Drive End Shield Bearing Cover Plate	4.1 ... 5.5	36.3 ... 48.7 in. lbs.
52	Pulley Retaining Nut	135 ... 170	99.5 ... 125.4 ft. lbs.

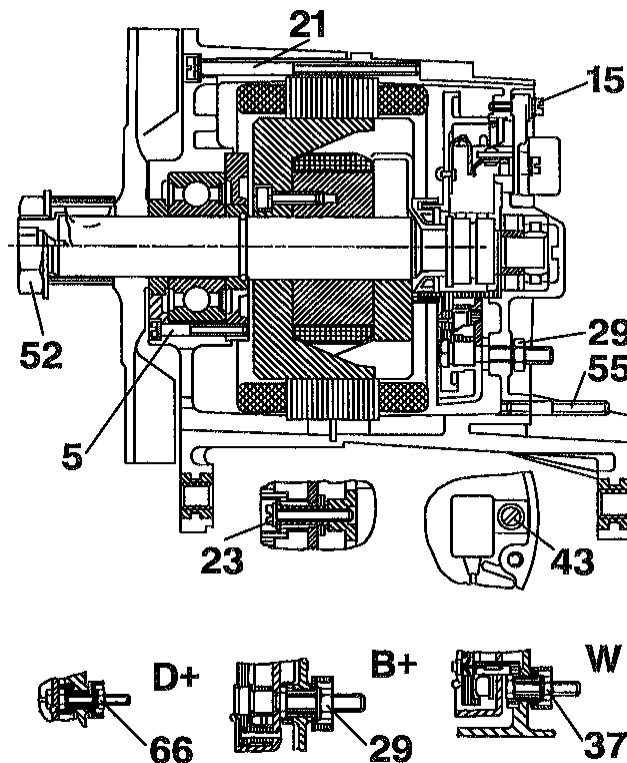
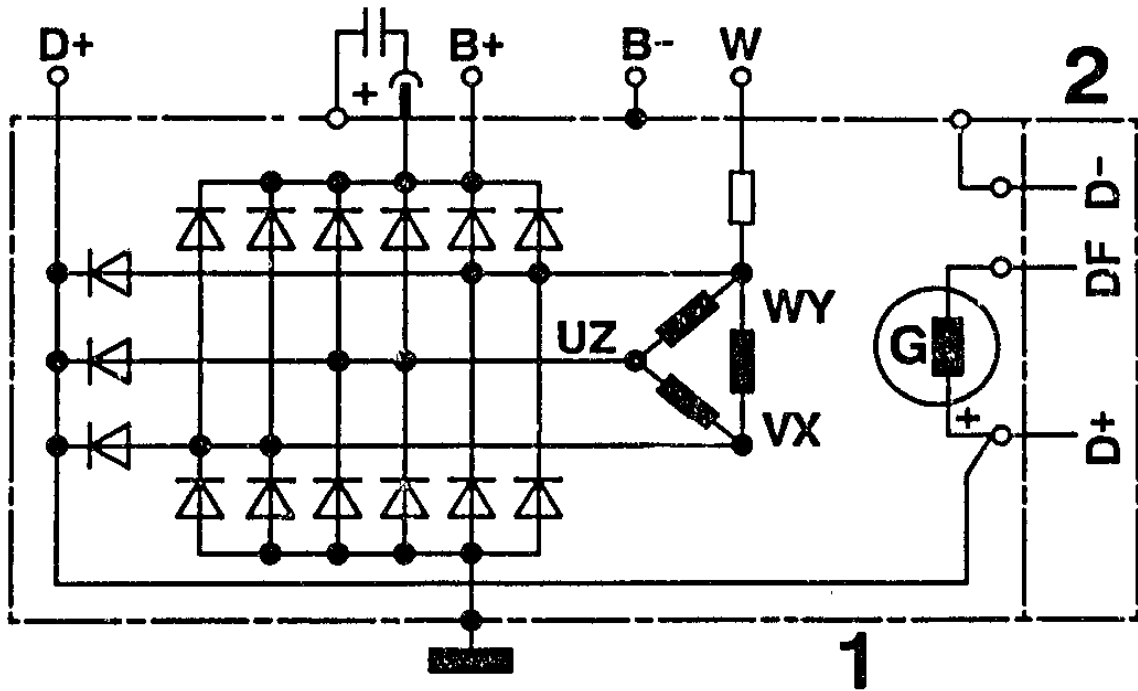


Figure 2 Fastener Torque Chart



4 Alternator Schematic



KME 00050

Figure 3 Alternator/Voltage Regulator Schematic

1 Alternator

- B+ Battery Positive
- B- Battery Negative
- D+ Dynamo + (Warning Lamp Output)
- W Tachometer Output

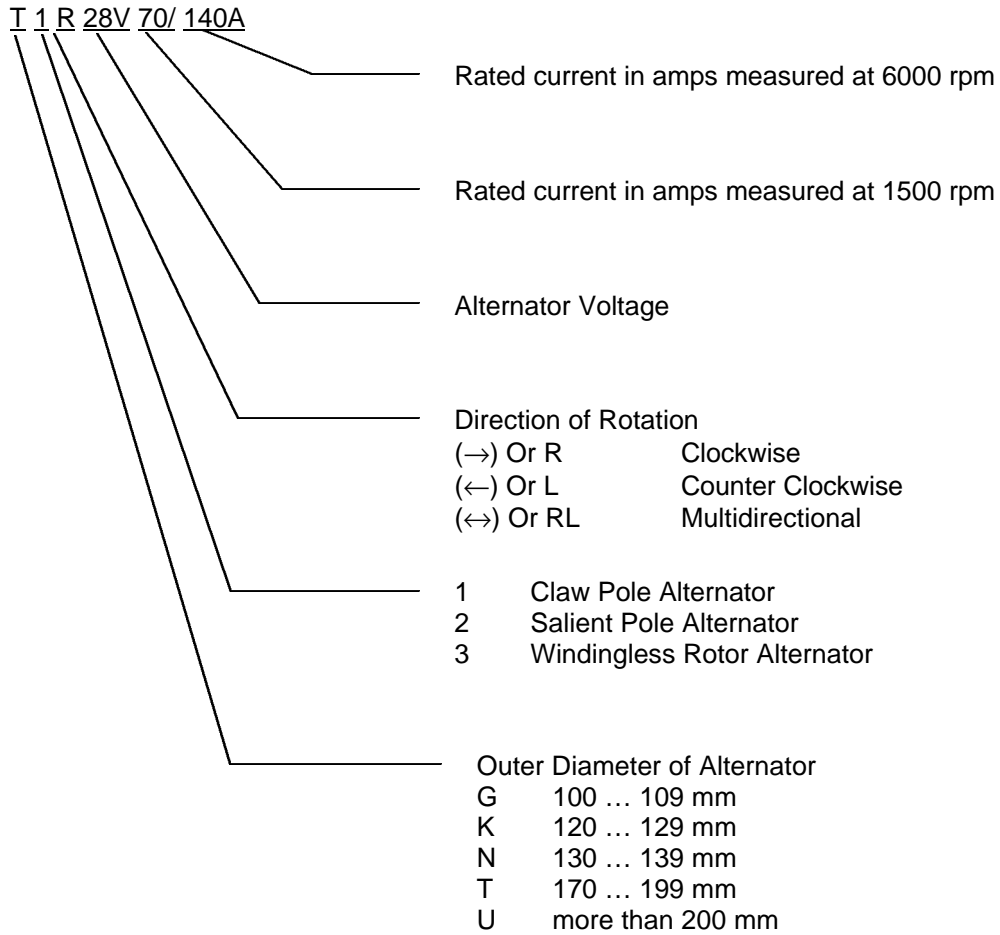
2 Voltage Regulator

- D+ Dynamo + (Alternator Output)
- DF Dynamo Field
- D- Dynamo -



5 Alternator Coding

T 1 R 28V 70/ 140A





6 Parts Cleaning



Caution: Fire Risk

To provide radio interference suppression, the alternator is equipped with capacitors with a long storage time. Cleaning of alternator components may cause an electrical discharge when they are immersed in cleaning fluid. This discharge may cause combustible liquids to ignite.

Alternator components with capacitors should only be cleaned with a non-combustible cleaner such as HAKU 1025/6.



Caution: Compressed Air

Only use compressed air regulated to a maximum of 4 Bar (60 PSI), and a clean cloth for cleaning of the armature, excitation windings and alternator plates.



Caution: Explosion Risk

Avoid exposure to fire, open flame and sparks. Thoroughly dry all cleaned parts as gases could form from the cleaning process and may cause an explosion.



7 Tools, Test Equipment Lubricants and Adhesives

7.1 Test Equipment

Description	Bosch Number	
Alternator Test Bench	Commercially Available	
Internal Short-Circuit Tester (Flash Tester)	KDAW 9978	0 986 619 110
Universal Multi-Meter	MMD 302	0 684 500 302
Alternator Tester	WPG 012.00	0 684 201 200

7.2 Special Tools

Description	Bosch Number	
Arbor Press	Commercially Available	
Soldering Iron	Commercially Available	
Universal Bearing Puller	Commercially Available	
V-Block <i>Note: 2 Required</i>	Commercially Available	
14mm Hex, 1/2" Drive Socket	Commercially Available	
Clamping Support	KDAW 9999	0 986 619 362
Die Spigot for Arbor Press (Used with KDLJ 6011, KDLJ 6012, KDLJ 6015)	KDLJ 6010	0 986 618 124
Bearing Remover	KDLJ 6009	0 986 618 121
Press Tool for Roller Bearing	KDLJ 6021	0 986 618 139
Bearing and Seal Installer	KDLJ 6011	0 986 618 125
Collector Ring Installer	KDLJ 6012	0 986 618 126
Drive End Shield Support Ring for Rotor Pressing	KDLJ 6013	0 986 618 127
Press Tool - Spacer Ring, Roller Bearing Inner Race and Collector Rings	KDLJ 6018	0 986 618 134
Alignment Pin - Drive End Shield and Collector Ring End Shield	KDLJ 6014	0 986 618 128
Removal Tool - Sliding Bushing	KDLJ 6015	0 986 618 129
Holding Tool - Sliding Bushing	KDLJ 6016	0 986 618 130
Inner Bearing Race Removal Tool	KDAW 9996	0 986 619 269
Puller Receiver Cup	KDAW 9995/0/1	0 986 619 214
Threaded Pin with Cone	KDAW 9995/14	0 986 619 250
Bearing Puller Spring Collet	KDAW 9995/6	0 986 619 233
Feeler Gauge 0.15 ... 0.6 mm (.005024 in) <i>Note: 4 required</i>	KDZV 7399	0 986 618 378
Dial Indicator	EFAW 7	1 687 233 011
Magnetic Indicator Stand	T-M 1	4 851 601 124



7.3 Lubricants and Adhesives

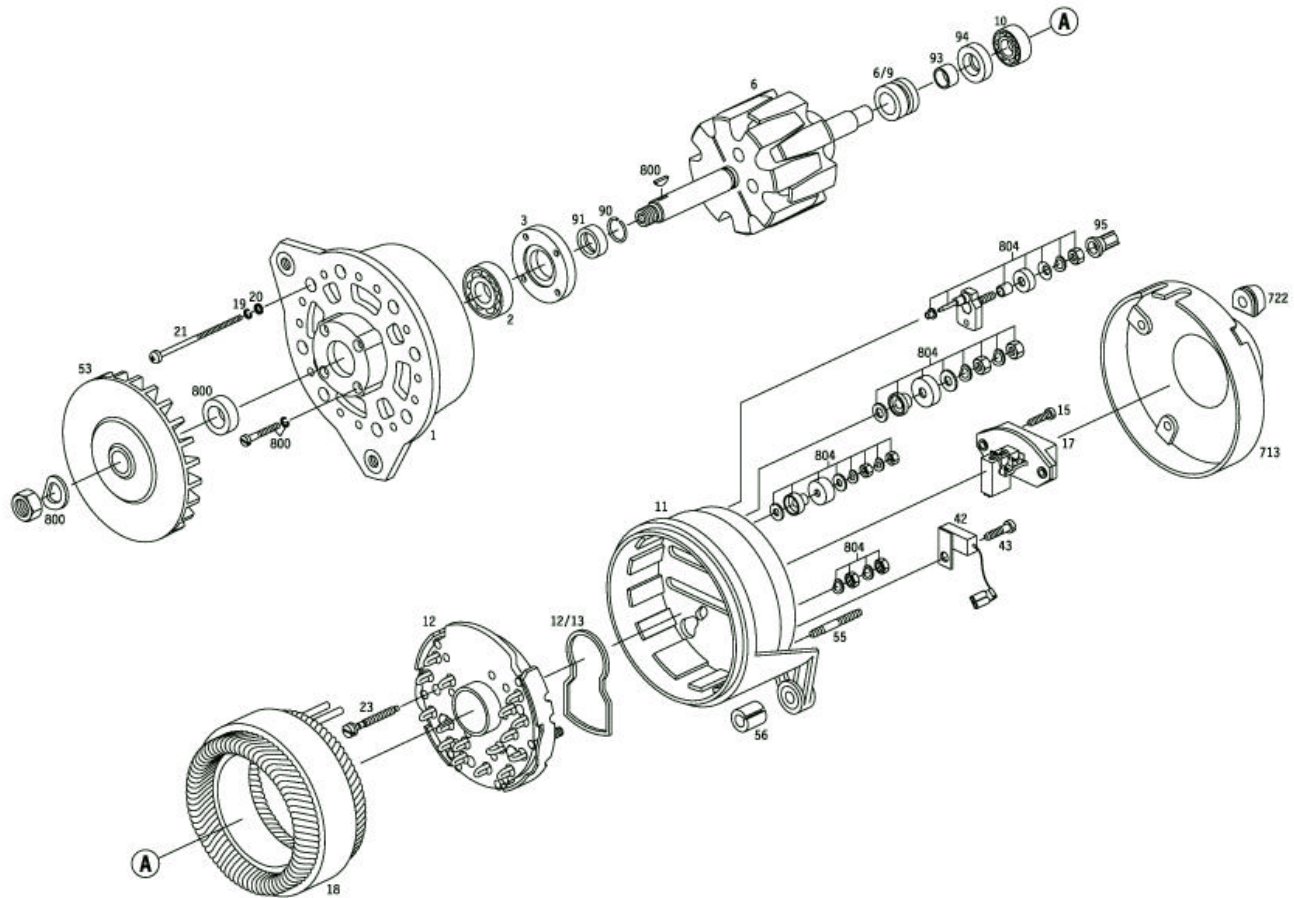
Description	Manufacturer Number	Bosch Number
Roller Bearing Grease	UNIREX N3	5 975 560 125
	Ft1 v 34	5 700 009 000
	VS 15164-Ft	5 975 560 000
Molycote Paste	Ft 70 v 1	5 700 040 000
Adhesive Dispersant	KK57v1	5 703 151 000
Silicon Paste	Ft2v4	5 700 083 005

7.3.1 Lubricant Quantities

Bottom of Roller Bearing	2 g (0.07 oz.)
Collector End Shield Radial Seal	2 g (0.07 oz.)
Roller Bearing	2...2.5 g (0.07...0.09 oz.)



8 Exploded View

**Figure 4 Alternator Exploded View**

<u>Item</u>	<u>Designation</u>	<u>Item</u>	<u>Designation</u>
1	Drive End Shield	20	Plain Washer
2	Ball Bearing	21	Oval-Head Screw
3	Cover Plate	23	Washer & Screw Assembly
6	Rotor	42	Suppression Capacitor
6/9	Collector Ring	43	Oval-Head Screw
10	Roller Bearing	53	Fan
11	Collector-Ring End Shield	55	Stud
12	Rectifier	56	Expansion Bushing
12/13	Seal	90	Retainer
15	Washer & Screw Assembly	91	Support Ring
17	Transistor Regulator	93	Spacer Ring
17/3/8	Compression Spring	94	Radial Seal
17/3/801	Carbon-Brush Set	95	Protective Cap
17/10	Gasket	713	Air-Intake Cover
18	Stator	722	Grommet
19	Spring Lock Washer		



9 Alternator Disassembly and Testing

9.1 Rear Cover Removal

1. Clamp alternator in clamping fixture KDAW 9999 (Bosch Number 0 986 619 362).
2. Remove four nuts holding on the air intake cover. (Figure 5)

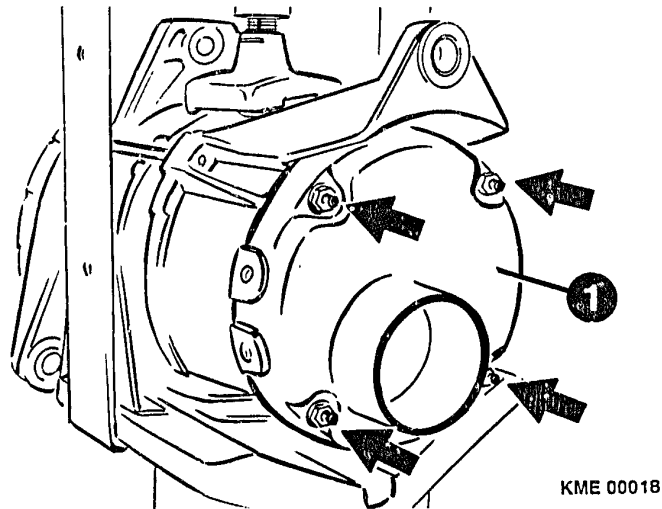


Figure 5 Air Intake Cover Removal (1)

Note: The voltage regulator must be removed before any further disassembly of the alternator takes place. The brushes of the regulator can break if the regulator is not removed before any other disassembly takes place.

9.2 Voltage Regulator Removal

1. Remove the three (3) screws that secure the regulator to the collector ring end shield. (Figure 6)
2. Carefully remove the voltage regulator from the collector ring end shield.

Note: The brushes of the regulator will break if the regulator is not removed before any other disassembly of the alternator takes place.

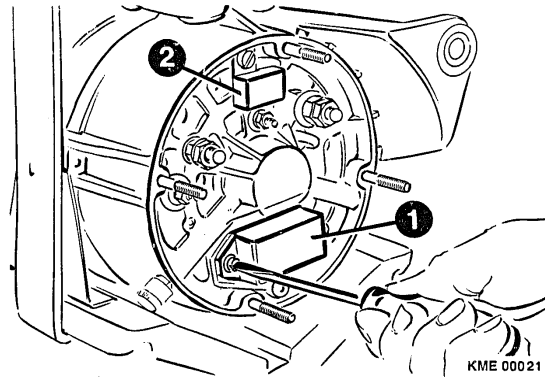


Figure 6 Voltage Regulator (1) and Suppression Capacitor (2)

9.2.1 Brush Replacement

1. The exposed length of the carbon brushes must be measured to determine if they require replacement. Measure the length of each brush. If the exposed brush length is less than 7 mm (0.276"), the brush must be replaced. (Figure 7)

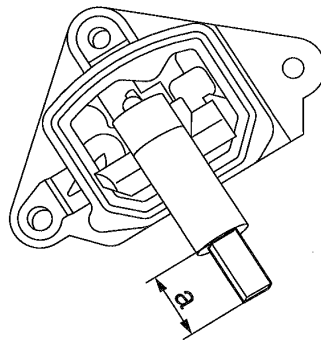


Figure 7 Brush Length Measurement

2. To replace the brushes, the brush lead must be unsoldered and the brush removed from the regulator.
3. Insert the new brush into the regulator and solder the brush lead to the regulator.

Note: Use only rosin-core solder to attached the brush lead.

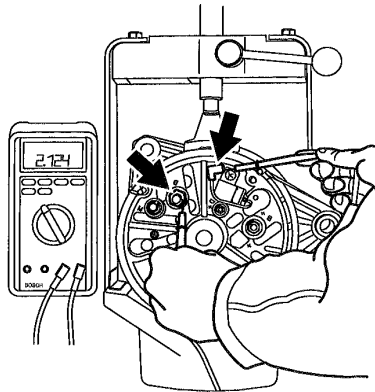
4. Check the brushes for freedom of movement after they are soldered.
5. Measure the exposed length of the new brushes. The exposed length should be 16 mm (0.630")

9.3 Noise Suppression Capacitor Testing and Removal

1. Disconnect the suppression capacitor from terminal B+.



2. Connect Multimeter MMD 302 (Bosch Number 0 684 500 302) or equivalent to the lead of the suppression capacitor and the B- terminal of the alternator. (Figure 8)

**Figure 8 Testing of Suppression Capacitor**

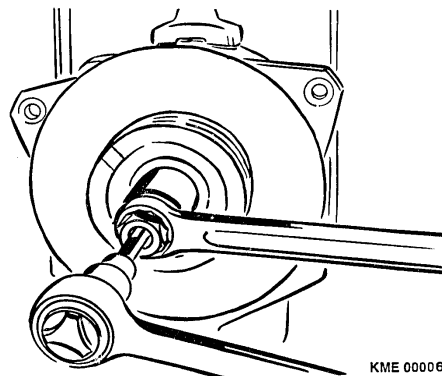
3. Measure the capacitance of the suppression capacitor. If the capacitance does not read between 1.8 and 2.6 μF (microfarad), the capacitor must be replaced.
4. Remove the screw that secures the suppression capacitor and remove capacitor.

Note: After removing the suppression capacitor from the alternator, the capacitor lead should be shorted to the capacitor-mounting strip to discharge the capacitor. Failure to do so may cause the capacitor to discharge while being cleaned.

9.4 Pulley and Fan Removal

1. Using a 14-mm hex socket to hold the rotor shaft. Loosen and remove pulley-retaining nut with a box wrench. (Figure 9)

Note: Do not use an air impact gun to remove the nut as the force of the impact may cause damage to the alternator bearings.

**Figure 9 Pulley and Fan Removal**

2. Remove the pulley and cooling fan from the alternator.

9.5 Separation of Drive Shield and Collector End Shield

Note: With a scribe, mark the relationship between the drive end shield and the collector ring end shield. This will assist in the realignment of the two shields upon reassembly.

1. Loosen and remove the four (4) outer Oval-head screws which hold the end shields together. (Figure 10)



2. Slide the drive end shield and rotor out of the collector end shield.

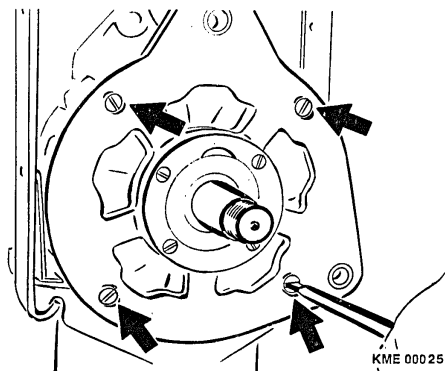


Figure 10 Drive End Shield Removal

9.6 Rectifier Assembly Testing

Note: The following testing of the rectifier is to be performed with the rectifier assembly installed and wired in to the stator.

1. With the rectifier assembly still installed in the collector end shield, testing of the rectifier is to be performed.
 - a. Using tester WPG 012.00 (Bosch Number 0 684 201 200) (Figure 11)
 - i) Connect the negative (black) lead of the tester to the collector end shield and the positive (red) lead to each of the stator connection solder joints.
 - ii) Connect the positive (red) lead of the tester to the B+ Terminal and the negative (black) lead to each of the stator connection solder joints.
 - iii) Connect the positive (red) lead of the tester to the D+ Terminal and the negative (black) lead to each of the stator connection solder joints.

The rectifier assembly is reusable if the tester remains in green zone. If the rectifier assembly fails any test, one or more of the diodes are defective and the whole assembly must be replaced.

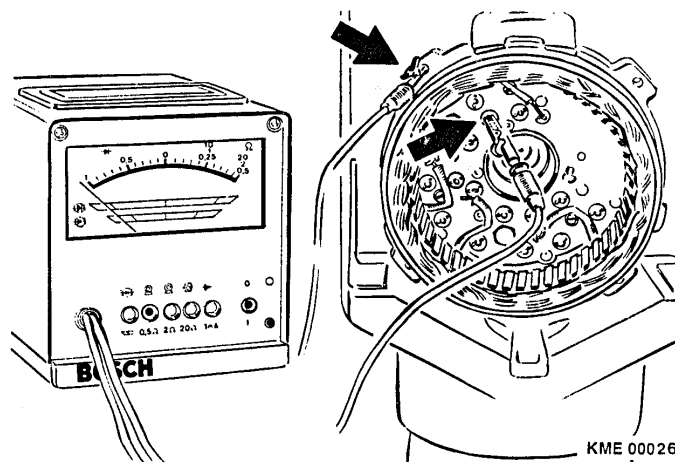


Figure 11 Testing of Rectifier Assembly

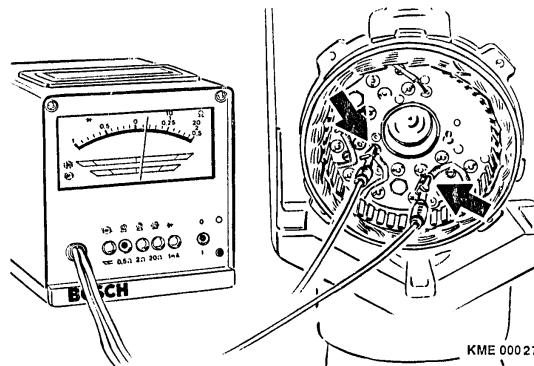
**b. Using a Diode Tester**

- i) Connect the negative (black) lead of the tester to the collector end shield and the positive (red) lead to each of the stator connection solder joints. No current should pass through the rectifier assembly.
- ii) Connect the positive (red) lead of the tester to the collector end shield and the negative (black) lead to each of the stator connection solder joints. Current should pass through the rectifier assembly.
- iii) Connect the positive (red) lead of the tester to the B+ Terminal and the negative (black) lead to each of the stator connection solder joints. No current should pass through the rectifier assembly.
- iv) Connect the negative (black) lead of the tester to the B+ Terminal and the positive (red) lead to each of the stator connection solder joints. Current should pass through the rectifier assembly.
- v) Connect the positive (red) lead of the tester to the D+ Terminal and the negative (black) lead to each of the stator connection solder joints. No current should pass through the rectifier assembly.
- vi) Connect the negative (black) lead of the tester to the D+ Terminal and the positive (red) lead to each of the stator connection solder joints. Current should pass through the rectifier assembly.

If the rectifier assembly fails any test, one or more of the diodes are defective and the whole assembly must be replaced.

9.7 Removal and Testing of Stator Assembly

1. With tester WPG 012.00 or Multimeter MMD 302 set to read 0 to 0.5 Ω , test the resistance of the stator while it is still attached to the rectifier assembly. Connect the test leads between the phase outputs of the stator. Repeat the test until all three phases of the stator has been tested. A good stator will read between 0.036 Ω and 0.040 Ω . (Figure 12)

**Figure 12 Stator Resistance Testing**

2. Unsolder the stator phase connections from the rectifier assembly with a soldering gun or iron.
3. Bend open any bent-over lead connections with a screwdriver or pliers and pull the stator leads from the rectifier eyelets.

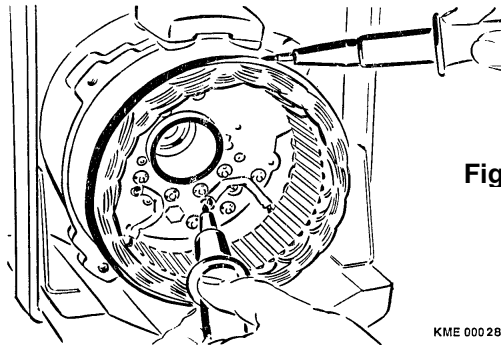


Note: The insulation tester applies a voltage of 80 VAC to the stator. Voltages of 80V can be fatal. When performing this test, observe care is used in handling the stator and any component or surface that is exposed to the stator. Use insulated gloves and do not touch the work surface until all tests are completed.



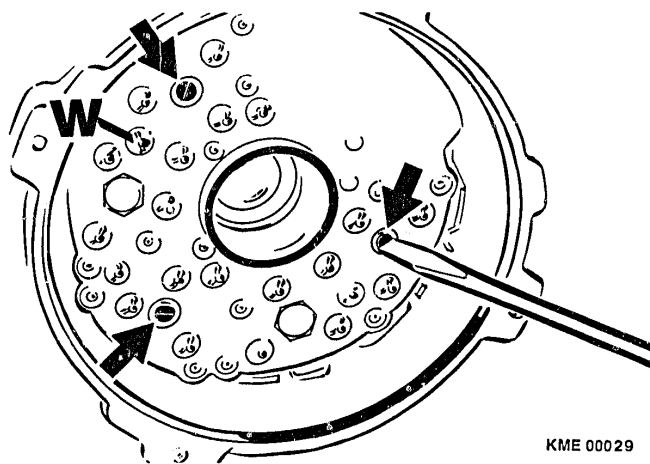
- Using insulation tester KDAW 9983 (Bosch Number 0 986 619 110) or equivalent, apply 80 VAC to each of the stator phase leads with one probe while the other probe is in contact with the exterior of the stator. (Figure 13)

No continuity should be present. Any continuity between the stator phase leads and the exterior of the stator indicates a breakdown of the stator insulation and a short to ground. If continuity is present, the stator must be replaced.

**Figure 13 Stator Insulation Testing**

9.8 Rectifier Assembly Removal

- Loosen and remove the three screws that hold the rectifier to the collector end shield. (Figure 14)
- Unsolder the W terminal from the rectifier assembly.

**Figure 14 Rectifier Assembly Removal**

- Remove the nuts holding terminals B+, B- and D+ to the collector end shield.

Note: Do not attempt to remove the studs from the rectifier assembly. Terminals B+, B- and D+ are permanently attached to the rectifier assembly. Terminal W is attached to the collector end shield. Do not loosen Terminal W.

- Remove the rectifier assembly from the collector end shield.



9.9 Dampening Resistor Testing and Removal

1. The W Terminal incorporates a dampening resistor. Using a Multimeter MMD 302, connect one lead to the exterior portion of the W terminal and connect the other lead to the other side of the W Terminal. The Multimeter should read between 3.1 and 3.5 k (kilohm). If the resistance is above or below this range, the W terminal is to be replaced as an assembly. (Figure 15)

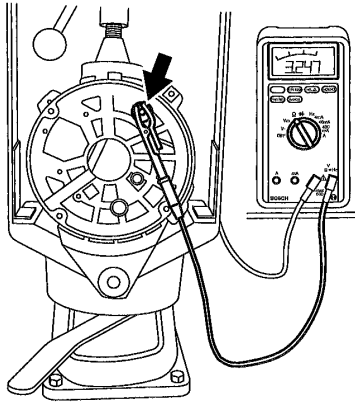
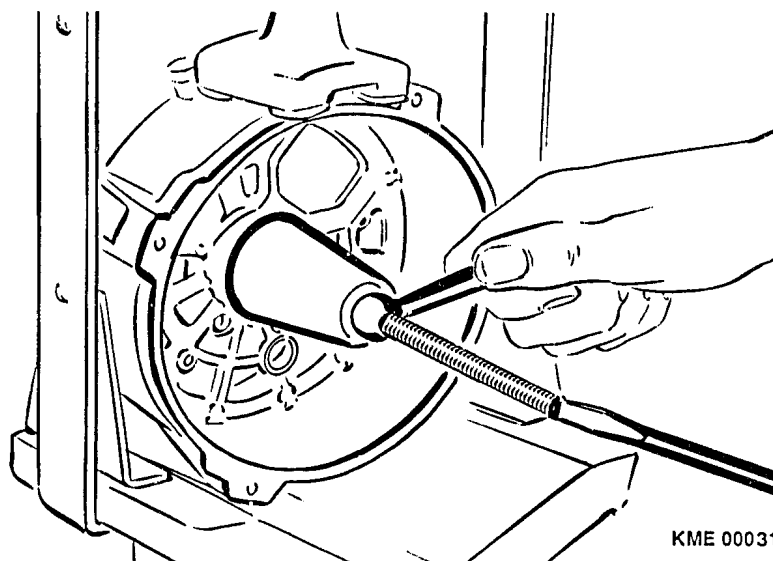


Figure 15 Testing of W Terminal Dampening Resistor

2. Loosen the nut retaining terminal W to the collector end shield.
3. Remove terminal W.

9.10 Removal of Collector End Shield Bearing and Seal

1. Insert extractor KDLJ 6009 (Bosch Number 0 986 618 121) into bearing.
2. Screw threaded rod KDAW 9995/14 (Bosch Number 0 986 618 214) into extractor KDLJ 6009.
3. Slide the receiver cup KDAW 9995/0/5 (Bosch Number 0 986 619 250) onto threaded rod.
4. Screw on the handle, rotate until the bearing, and seal come out of the collector end shield. (Figure 16)



KME 00031

Figure 16 Bearing and Seal Removal



5. If the roller bearing is stuck in end shield, proceed as follows:
 - a. Remove extractor KDLJ 6009 from the bearing.
 - b. Destroy the bearing cage with a screwdriver or similar tool.
 - c. Remove rollers from bearing.
 - d. Insert spring collet KDAW 9995/6 (Bosch Number 0 986 619 233) into bearing outer race.
 - e. Screw threaded rod KDAW 9995/14 into extractor KDAW 9995/6.
 - f. Slide the receiver cup KDAW 9995/0/5 onto threaded rod.
 - g. Screw on handle and rotate until the bearing race comes out of the collector end shield.

9.11 Removal of Sliding Bushing in Collector End Shield

1. Place collector end shield in an arbor press, support mounting/pivot boss on mandrel KDLJ 6016 (Bosch Number 0 986 618 130). (Figure 17)
2. Place bushing mandrel KDLJ 6015 (Bosch Number 0 986 618 219) on sliding bushing.
3. Press sliding bushing out of collector end shield into mandrel KDLJ 6016.

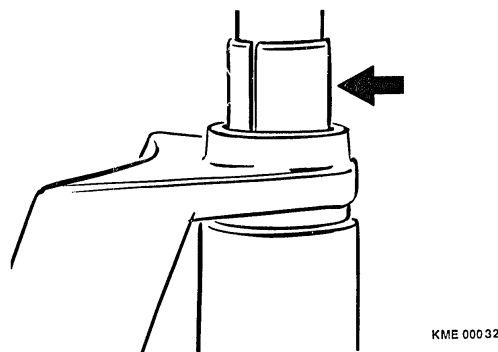


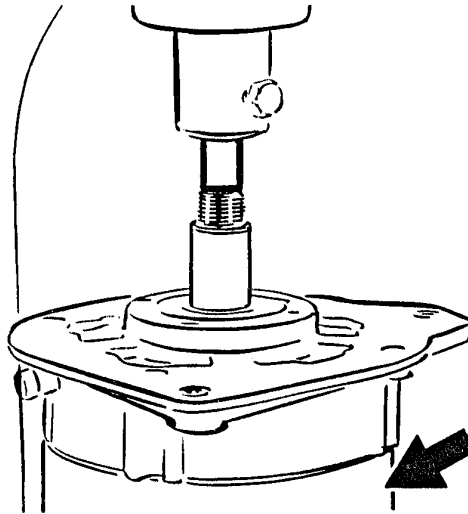
Figure 17 Sliding Bushing Removal

9.12 Removal of Rotor from Drive End Shield

1. Place drive end shield onto pressing ring KDLJ 6013 (Bosch Number 0 986 618 127).
2. Place pressing ring into an arbor press. (Figure 18)



3. Press out rotor.



KME 00033

Figure 18 Pressing out Rotor

4. Remove spacer ring from rotor shaft.

Notes: Protect the threads of the rotor from damage prior to pressing. Always replace the drive end bearing if the rotor has been pressed out. Therefore, only remove the rotor if;

- *the rotor is to be replaced*
- *the excitation winding of the rotor is to be replaced*
- *the drive end bearing/spacer ring is to be serviced*
- *the rotor collector rings are to be replaced*



9.13 Removal of Bearing and Seal from Drive End Shield

1. Loosen and remove the four (4) screws holding the bearing cover plate. (Figure 19)
2. Remove the spacer ring (Refer to arrow in Figure 19).
3. Remove the bearing from the drive end shield.

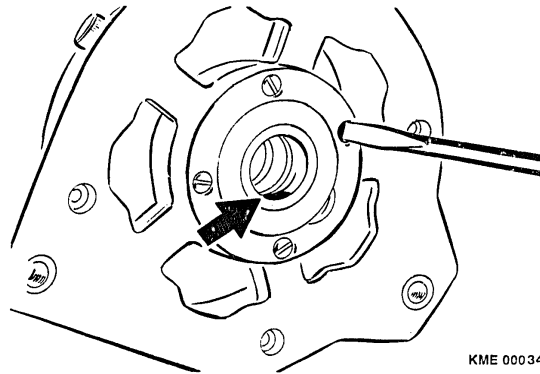


Figure 19 Drive End Bearing Removal

9.14 Removal of Collector Ring End Inner Bearing Race from Rotor

1. With a universal bearing puller, remove the inner race of the endshield bearing. (Figure 20)

Notes: Place jaws of the puller yoke behind the inner-bearing race and pull the bearing race only. Do not place the yoke behind the spacer ring. Pulling both the bearing and the spacer ring at the same time may damage the rotor. The inner bearing race must be replaced anytime the collector end shield bearing is replaced.

2. Reposition the puller and remove the spacer ring from the rotor shaft.

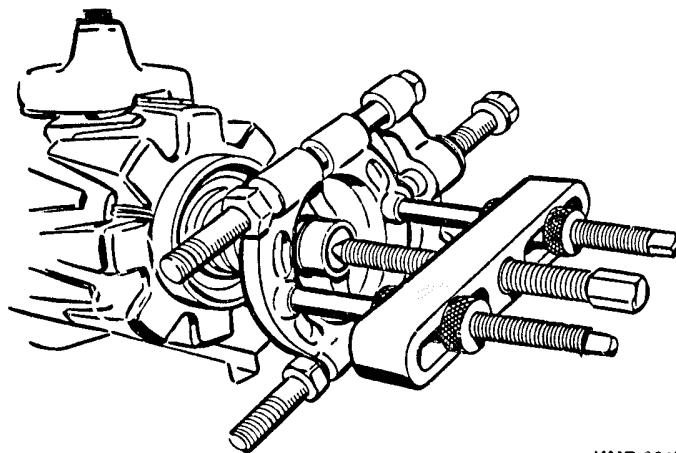


Figure 20 Inner Bearing Race Removal



9.15 Rotor Inspection

1. Using electric tester ETE 014.00 or Multimeter MMD 302, measure the resistance between the two collector rings of the rotor. The resistance measured should be between 7.5 and 8.3 Ω . (Figure 21)

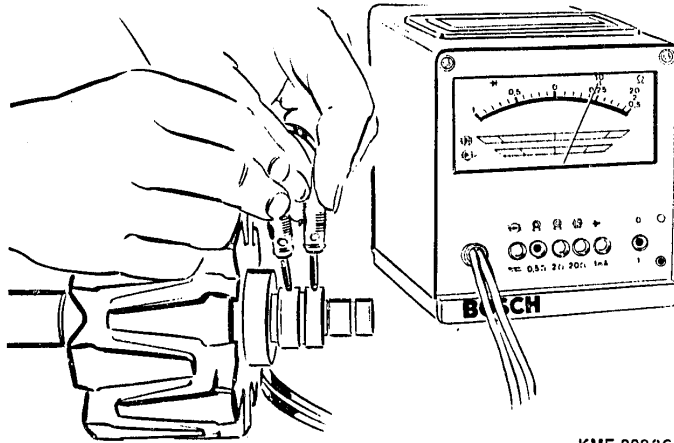


Figure 21 Rotor Resistance Testing

2. Using insulation tester KDAW 9983 or equivalent, apply 80 VAC to the rotor claw poles and each of the collector rings. If the insulation tester lights, there is a short to ground within the rotor. (Figure 22)

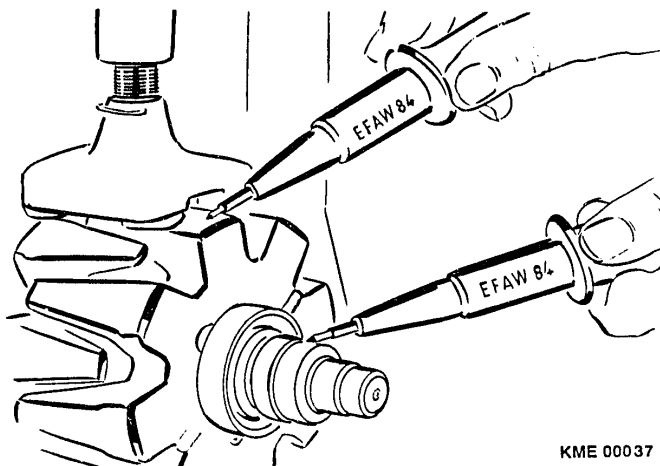


Figure 22 Rotor Insulation Testing

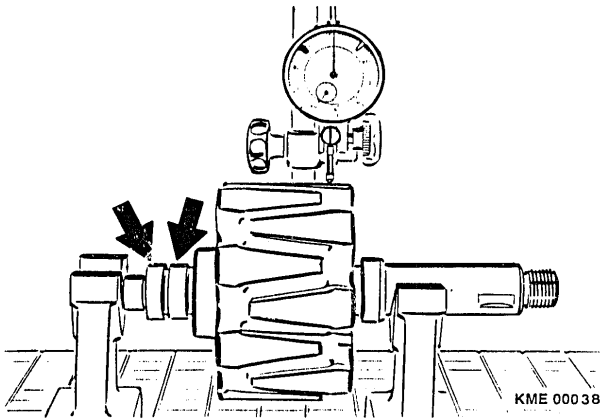


Note: The insulation tester applies a voltage of 80 VAC to the rotor. Voltages of 80V can be fatal. When performing this test, observe care is used in handling the rotor and any component or surface that is exposed to the rotor. Use insulated gloves and do not touch the work surface until all tests are completed.

3. Mount the rotor in a pair of V-Blocks at the rotor bearing points.



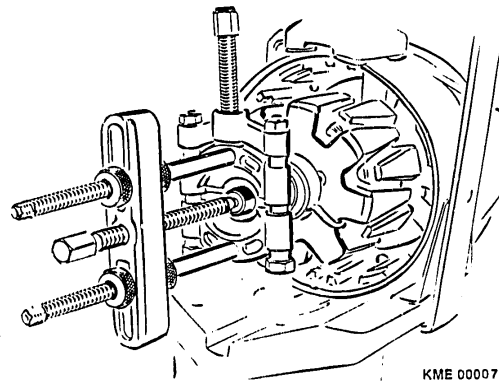
4. Position dial indicator (Magnetic Base T-M 1 (Bosch Number 4 851 601 124) and Dial Indicator EFAW 7 (Bosch Number 1 687 233 011)) to measure the concentricity of the rotor at:: (Figure 23)
 - a. Outer diameter of rotor, maximum run-out 0.05 mm (0.002 in). If the run-out of the rotor exceeds the maximum, the rotor must be replaced.

**Figure 23 Rotor Concentricity Measurement**

- b. Each collector ring, maximum run-out 0.03 mm (0.0012 in). If the run-out exceeds the maximum, the collector rings can be machined down to a minimum of 31.5 mm (1.240 in) diameter. If the required machining causes the collector ring diameter to drop below the minimum dimension, the collector ring(s) must be replaced.

9.16 Collector Ring Replacement

1. Before the collector rings can be removed, the spacer ring from the end of the rotor must be removed. Refer to Section 9.14 "*Removal of Inner Bearing Race from Rotor.*"
2. Unsolder the rotor leads from each collector ring.
3. With a universal bearing puller, remove each collector ring one at a time from the rotor. (Figure 24)

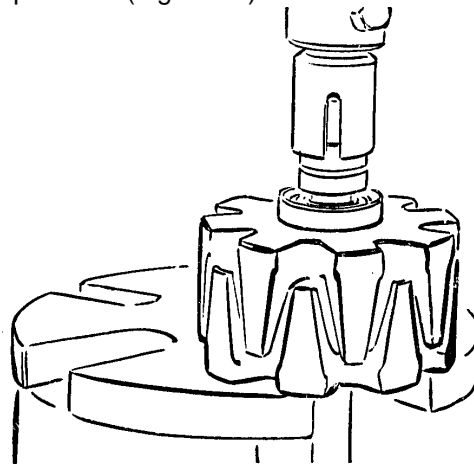
**Figure 24 Collector Ring Removal**



10 Alternator Assembly

10.1 Rotor Assembly

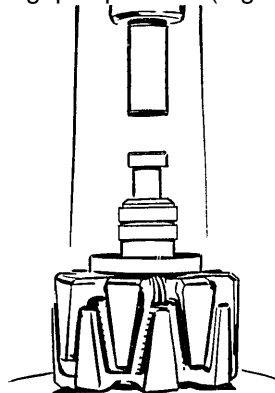
1. Position rotor in arbor press with the drive end pointing down.
2. Press the lead for the rotor winding into the slot of the rotor.
3. Slide the collector rings onto the rotor shaft as far as possible by hand. Make sure the lead for the rotor windings does not become damaged while sliding the collector rings over the lead.
4. Lining up the slot in tool KDLJ 6012 (Bosch Number 0 986 618 126) with the rotor lead, press the collector rings onto the rotor as far as possible. (Figure 25)



KME 00040

Figure 25 Pressing on Collector Rings

5. Solder each of the rotor winding leads to one of the collector rings with rosin core solder.
6. After soldering, touch up surface of collector ring to remove any excess solder from the brush contact surface.
7. Press on collector end shield bearing spacer ring with tool KDLJ 6018 (Bosch Number 0 986 618 134) until it contacts the stop on the rotor and no air gap is present. (Figure 26)



KME 00008

Figure 26 Spacer Ring



Note: Do not allow the spacer ring to twist while pressing onto the rotor.

8. Place the inner bearing race of the collector end shield bearing onto the rotor shaft.
9. Press the bearing onto the rotor shaft with tool KDLJ 6018. (Figure 26)

10.2 Drive End Shield Assembly

1. Insert sealed ball bearing into the drive end shield.
2. Align the holes of the bearing cover plate with the holes in the drive end shield.
3. Start the four screws which hold the bearing cover plate and tighten to 4.1 ... 5.5 Nm (36.3 ... 48.7 in. lbs.) (Figure 27)

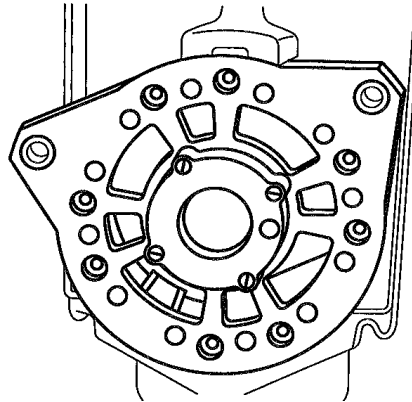
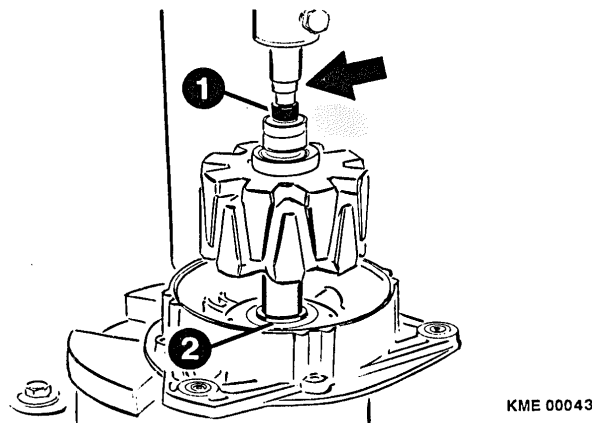


Figure 27 Drive End Bearing Retaining Screws

4. Insert bearing/fan spacer ring into the drive end shield from the fan side of the shield.
5. Place drive end shield on to an arbor press with the bearing/fan spacer ring pointed down. (Figure 28)
6. Slide support ring onto the drive end of the rotor. Make sure the under cut side of the ring faces the retaining ring on the rotor.



**Figure 28 Installing Rotor into Drive End Shield
(1) Tool KDLJ 6018 (2) Support Ring**



7. Place rotor into the drive end bearing.
8. Place tool KDLJ 6018 onto the end of the rotor and press the rotor into the drive end bearing until the bearing seats against the support ring.

10.3 Collector Ring End Shield Assembly

1. Pack the collector end roller bearing with 2 to 2.5 g (0.07 to 0.09 oz.) of UNIREX N3 grease.
2. Place the end shield on an arbor press.
3. Place tool KDLJ 6011 (Bosch Number 0 986 618 125) into bearing and press bearing into collector end shield. (Figure 29)
4. Pack the bottom of the collector end housing bearing bore with an additional 2 g (0.07 oz.) of UNIREX N3 grease.
5. Coat the sealing lip of the radial lip seal and pack the seal with 2 g (0.07 oz.) of UNIREX N3 grease.

Notes: Do not assemble the alternator with a dry radial seal as this will lead to seal failure and contamination of the brushes and collector rings.

Make sure there is no excess grease on the exterior of the seal before installation in the collector end shield. Excess grease on the exterior of the seal will cause contamination of the collector rings and brushes.

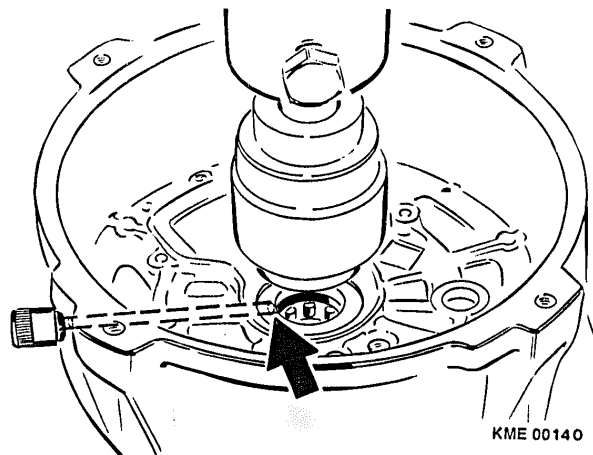
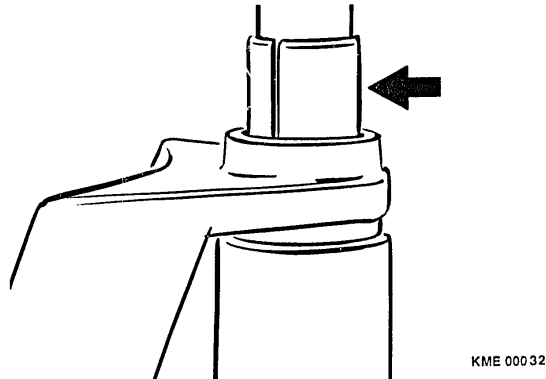


Figure 29 Installation of Bearing and Seal

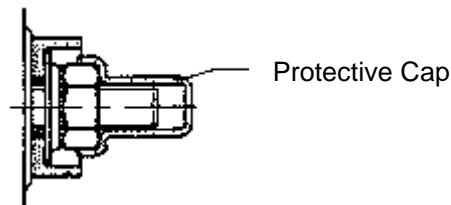
6. Place seal onto tool KDLJ 6011 and press the seal into the collector end shield. (Figure 29)
7. Place collector end shield in an arbor press, support mounting/pivot boss on tool KDLJ 6016. (Figure 30)
8. Coat the inside of the collector end shield bore with Molycote.
9. Place sliding bushing into place on collector end shield.



10. With tool KDLJ 6015, press sliding bushing into end shield until the bushing is flush with the inner surface of the mounting/pivot boss. (Figure 30)

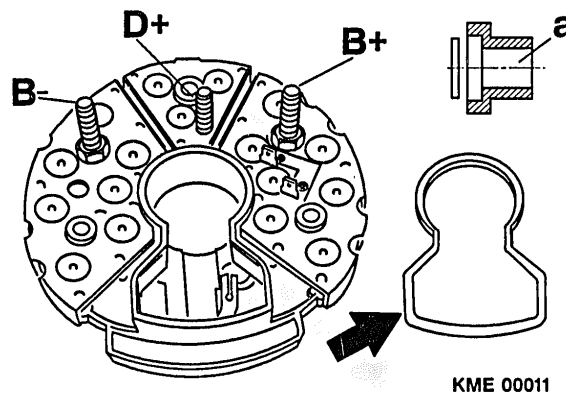
**Figure 30 Sliding Bushing Installation**

11. Insert terminal W into collector end shield in location marked W. Make sure the locating lug of the terminal assembly indexes the end shield correctly.
12. Place insulator and flat washer onto terminal W.
13. Install nut and torque to 4.1 to 5.5 Nm (36.3 to 48.7 in. lbs.)
14. Install protective cap onto terminal W. (Figure 31)

**Figure 31 Terminal W Insulator,
Washer, Nut and Cap**

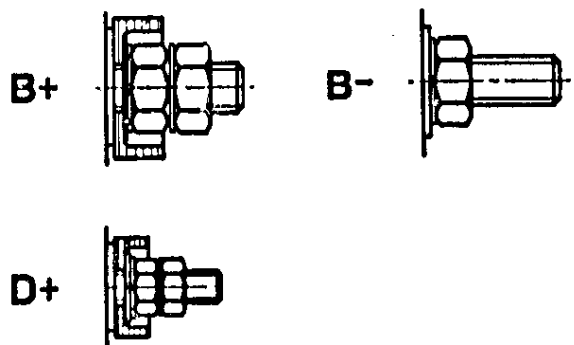
10.4 Rectifier Assembly

1. Place flat washer and insulator (a) onto terminal B+ and D+ studs of the rectifier assembly. (Figure 32)

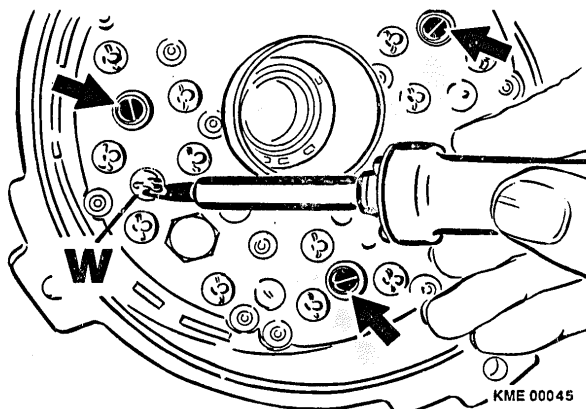
**Figure 32 Rectifier Insulators and Seal**



2. Coat the keyhole shaped surface of the rectifier with adhesive. (Figure 32)
3. Place the rectifier seal ring onto the keyhole shaped surface of the rectifier. Make sure the seal conforms to the shape of the keyhole.
4. Once the adhesive has cured, place the rectifier into the collector end shield. Make sure the solder lug of the W Terminal passes into the correct position of the rectifier assembly.
5. Install the insulating washer, flat washer and nut to terminal studs B+ and D+. (Figure 33)
6. Install flat washer and nut onto terminal stud B-. (Figure 33)
7. Check that the soldering lug of terminal W is still in the proper location of the rectifier assembly.

**Figure 33 Terminal B+, B- and D+ Assembly**

8. Torque terminal stud nuts B+, D+ and B- to:
 - a. Terminal B+ and B-..... 10 to 13 Nm (88.5 to 115 in. lbs.)
 - b. Terminal D+..... 2.4 to 3.2 Nm (21.2 to 28.3 in. lbs.)
9. Install the flat washer and second nut to terminal studs B+, D+ and B- and torque to:
 - a. Terminal B+ and B-..... 10 to 13 Nm (88.5 to 115 in. lbs.)
 - b. Terminal D+..... 2.4 to 3.2 Nm (21.2 to 28.3 in. lbs.)
10. Install the three (3) rectifier mounting screws and torque to 1.3 to 1.7 Nm (11.5 to 15 in. lbs.).
11. Solder the soldering lug of terminal W to the solder pad of the rectifier assembly with rosin core solder. (Figure 34)

**Figure 34 Rectifier Mounting and Soldering of Terminal W**



10.5 Stator Assembly

1. Position the stator on the collector end shield. The side of the stator with the winding leads should be closest to the collector end shield.
2. Line up the scribed mark of the stator with the scribed mark of the collector end shield. If either the stator or collector end shield was replaced, a new mark should be scribe across the new part using the replaced component as a reference.
3. Place each of the stator leads into a corresponding soldering lug of the rectifier assembly. After the lead is through the soldering lug, bend the lead so it forms a U around the lug. (Figure 35)

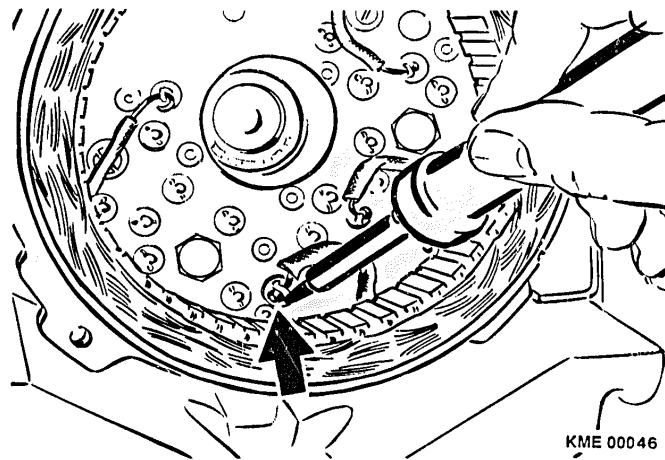


Figure 35 Soldering of Stator Leads

4. Solder each of the stator leads to the rectifier assembly with rosin core solder.

10.6 Rotor and Drive End Shield Installation

1. Place collector end shield and stator assembly on a suitable surface so the rotor and drive end shield assembly can be lowered into place
2. Guide the rotor and drive end shield assembly until the inner bearing race of the collector end bearing enters the roller bearing. Once the inner race enters the bearing, lower the assemblies completely into the collector end shield.
3. Insert guide pin KDLJ 6014 (Bosch Number 0 986 618 128) through the sliding bushing of the collector end shield and the bushing of the drive end shield. (Figure 36)
4. Start the four (4) drive end shield to collector end shield screws.
5. Place the alternator assembly into clamping fixture KDAW 9999.
6. Insert four (4) 0.3 mm (0.012 in) feeler gauges between the stator and the rotor. The feeler gauges should be place in four diametrically opposed positions. (Figure 36)
7. Torque the drive end shield to collector end shield screws to 7.2 to 9.7 NM (21.2 to 28.3 in. lbs.).



8. Remove the four feeler gauges from between the stator and rotor.
9. Turn the rotor by hand. The rotor should rotate freely by hand. If the rotor does not turn freely, loosen the drive end shield to collector end shield screws and repeat steps 6, 7, 8 and 9.
10. While rotating the rotor by hand, listen for contact between the rotor and the stator or stator leads. If any contact sound is heard, the rotor and drive end shield assembly must be removed, the cause determined and repaired before continuing. Once the problem has been corrected, start at step 1 of this section.

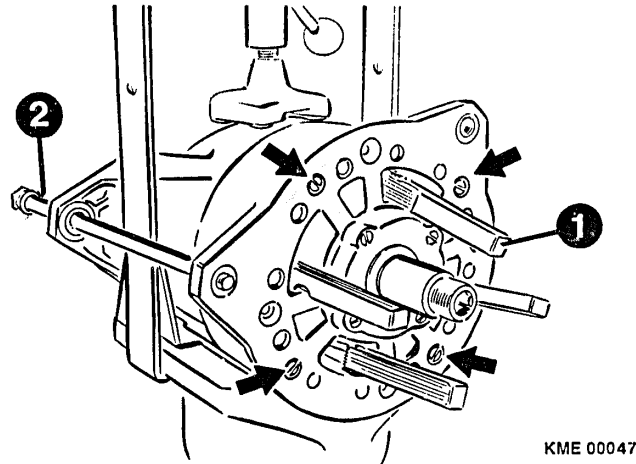


Figure 36 Drive End Shield, Stator and Collector End Shield Assembly
(1) Feeler Gauge (2) Tool KDLJ 6015

11. Remove the alignment pin KDLJ 6014 from the alternator.

10.7 Regulator and Capacitor Installation

1. Depress the carbon brush closest to the regulator into the regulator/brush holder.
2. Insert a straightened paper clip (1 to 1.3 mm dia. x 40mm) into the hole of the regulator until the pin holds the brush in place.
3. Pivot the regulator into the opening of the alternator. Once the brush holder is inside the alternator cavity, slowly remove the paper clip and allow the brushes to extend from the holder. (Figure 37)

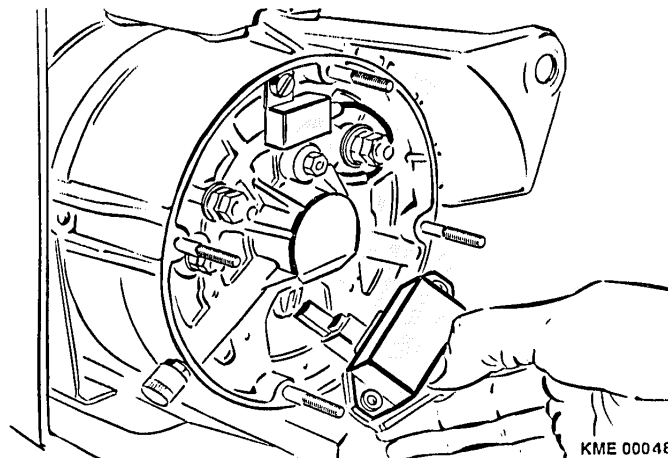


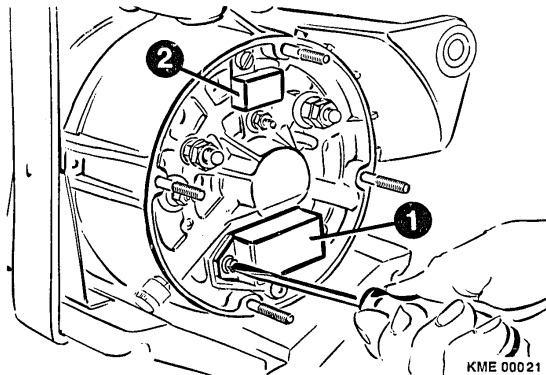
Figure 37 Regulator Installation



4. Align the mounting holes of the regulator to holes of the alternator housing.

Note: When aligning the mounting holes, pay attention to the force used as damage can occur to the brushes.

5. Install the three (3) regulator mounting screws and torque to 1.3 to 1.7 Nm (11.5 to 15 in. lbs.). (Figure 38)
6. Install capacitor on collector end shield and tighten mounting screw to 4.3 to 5.7 Nm (38.0 to 50.4 in. lbs.). (Figure 38)



**Figure 38 Capacitor Installation
(1) Voltage Regulator (2)**

7. Connect lead of capacitor to spade terminal +.
8. Install air intake cover onto alternator. Do not torque cover until it has been installed on the vehicle/engine.



11 Functional Testing

11.1 General Information

The functional testing of the alternator is broken into two categories, Power Output and Voltage Trace Evaluation. All of the tests describe here are performed with the voltage regulator installed on the alternator.

11.1.1 Power Output Tests

The power output tests verify the capability of the alternator to produce rated current and voltage at different speeds. This test requires a test bench of sufficient horsepower to turn a fully loaded alternator at a given speed. Additionally, the test bench must have the ability to inductively load the alternator to its rated amperage for an extended amount of time.

The power output test is to be performed anytime the alternator is suspected of being defective or if the alternator has been disassembled.

11.1.1.1 Test Bench Requirements

To perform the power output test of this series alternator, a test bench must meet the following minimum criteria.

Characteristic	Minimum Specification
Variable Speed Control	0 - 12,000 RPM
Drive Motor	4 kW (5.4 hp)
Load Bank Capability	170 A @ 28 V for 10 minutes 80 A @ 28 V for 30 minutes
Output Voltage Capability	28 V

11.1.2 Voltage Trace Evaluation

The voltage trace evaluation compares the output of the alternator as viewed on an oscilloscope to know oscilloscope patterns. The voltage trace evaluation is an important tool for diagnostics of an alternator that cannot meet the criteria of the power output test. Proper interpretation of the waveforms obtained can lead a technician to the defective component of a failed alternator. The voltage trace evaluation is done while the alternator is still mounted to the alternator test bench. Most any oscilloscope, which is capable of accepting the alternator voltage output, is useable for this evaluation.

11.2 Power Output Testing

11.2.1 Test Bench Mounting

1. Mount the alternator to the test bench per the operating instructions of the test bench manufacturer.
2. Connect the drive system of the test bench to the alternator as per the instructions of the test bench manufacturer.

Note: Only perform the power output tests with the fan pulley installed on the alternator. Failure to test the alternator with the correct fan installed can cause the alternator to overheat and damage the internal components of the alternator.



3. Connect the test leads of the test bench to the alternator as follows:

- a. Connect the +24 v lead of the test bench to the B+ terminal of the alternator.
- b. Connect the -24 v lead of the test bench to the B- terminal of the alternator.
- c. Connect the charging indicator lamp of the test bench to the D+ terminal of the alternator.

*Note: Refer to test bench manufacturers operating instructions for correct terminology of test leads
Refer to figure 39 for a schematic outline of alternator to test bench connections. Compare this schematic to the hook-up schematic of your test bench.*

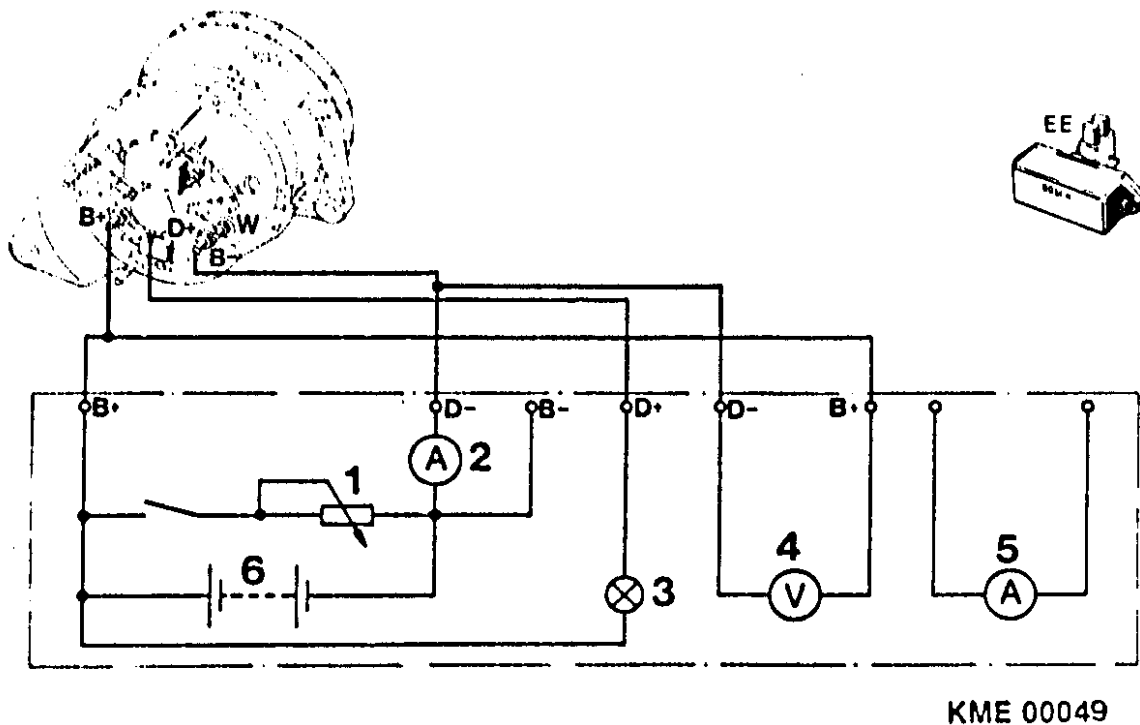


Figure 39 Alternator Test Bench Hook-up Schematic

- (1) Variable Load Resistor
- (2) Ammeter (Alternator Output)
- (3) Charging Indicator Lamp
- (4) Voltmeter (Regulated Voltage)
- (5) Ammeter
- (6) Test Bench Battery

4. Make sure the test bench is set for the correct voltage and rotation before starting tests.

11.2.2 Power Output Test

1. Start test bench and increase speed to 1500 rpm, alternator speed.
2. Increase inductive load on the alternator until 76A output is achieved. As load is increased, monitor test bench speed and correct if speed drops while applying load.



3. Hold test bench at this speed and load for 30 minutes. Monitor alternator output and speed during the test period.
4. Remove load and operate the alternator at 7000 rpm for one minute to allow the alternator to cool.
5. Refer to the test bench operating instructions and allow the load bank to cool the required amount of time before proceeding to the next test.
6. After the load bank has cooled, increase the test bench until the alternator has reached 6000 rpm.
7. Increase inductive load on the alternator until 136A alternator output is achieved. As load is increased, monitor test bench speed and correct if speed drops while applying load.
8. Hold test bench at this speed and load for 10 minutes. Monitor alternator output and speed during the test period.
9. Remove load and operate the alternator at 7000 rpm for one minute to allow the alternator to cool.
10. Refer to the test bench operating instructions and allow the load bank to cool the required amount of time before proceeding to the next test.
11. Apply a minimum load of 10A to the alternator.
12. Measure the regulated voltage of the alternator. The correct regulated voltage is between 27.6 and 28.4 volts.
13. If the alternator passes the three output tests, no further testing is required. If the alternator failed any of the three tests, proceed with the voltage trace evaluation.

11.3 Voltage Trace Evaluation

The voltage trace evaluation is a comparison of the voltage output of the alternator to know patterns. These know patterns will help identify different failed components.

11.3.1 Oscilloscope Hook-up

1. Following the manufacturer's instructions for your oscilloscope, connect the scope to the B+ and B- terminals of the alternator.
2. Adjust the oscilloscope to read 28 volts.
3. Turn on test bench and operate the alternator with a 10A load.
4. Compare oscilloscope display to the following test patterns.

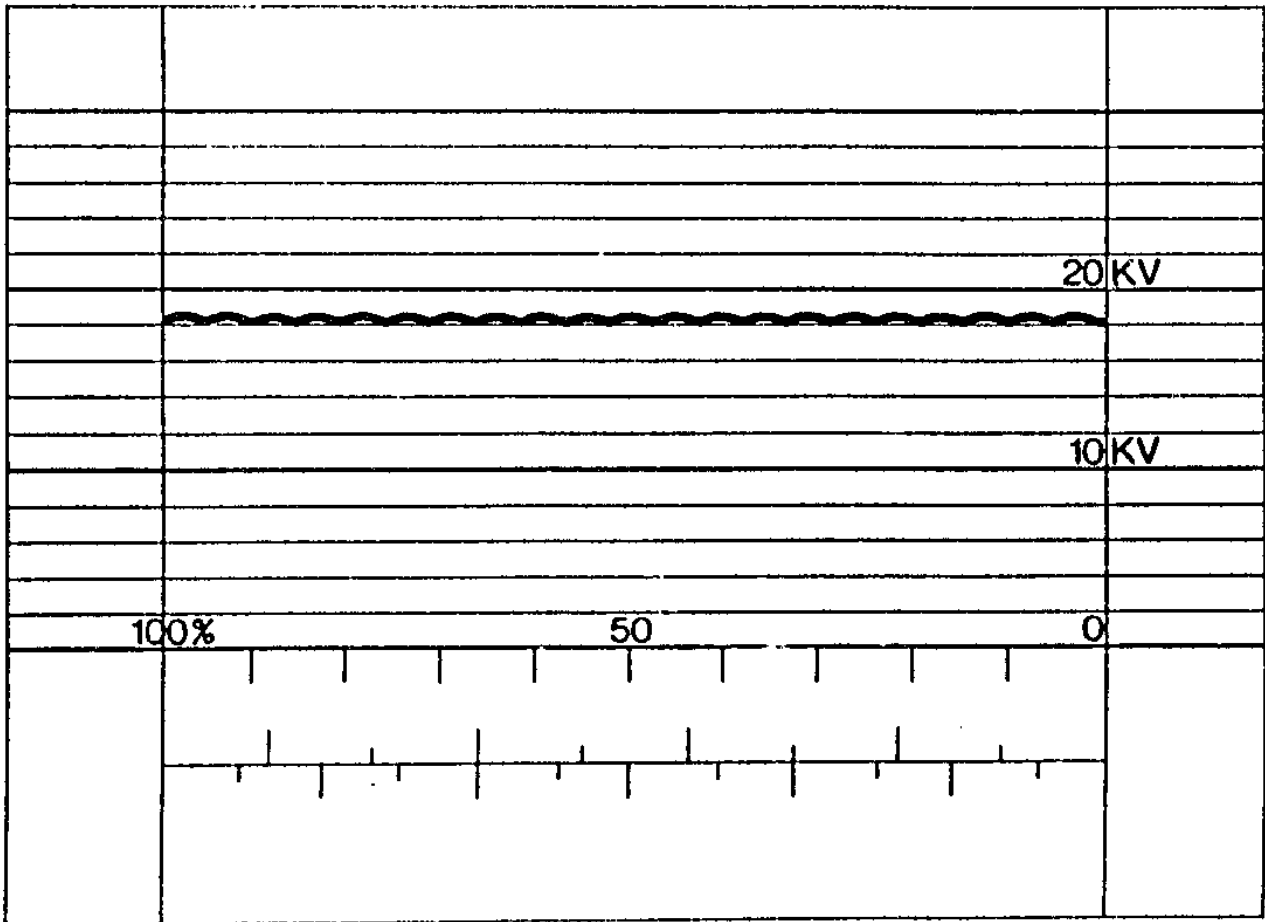


11.3.2 Normal Pattern

This image represents a properly functioning alternator. The D.C. voltage produced has a small harmonic wave.

Small spikes may be superimposed on the oscilloscope screen if the voltage regulator is regulating. Applying a load to the alternator output terminals can turn off the regulator.

In order to be able to compare oscilloscope images, the oscilloscope so the pattern fits between two vertical 10x divisions.



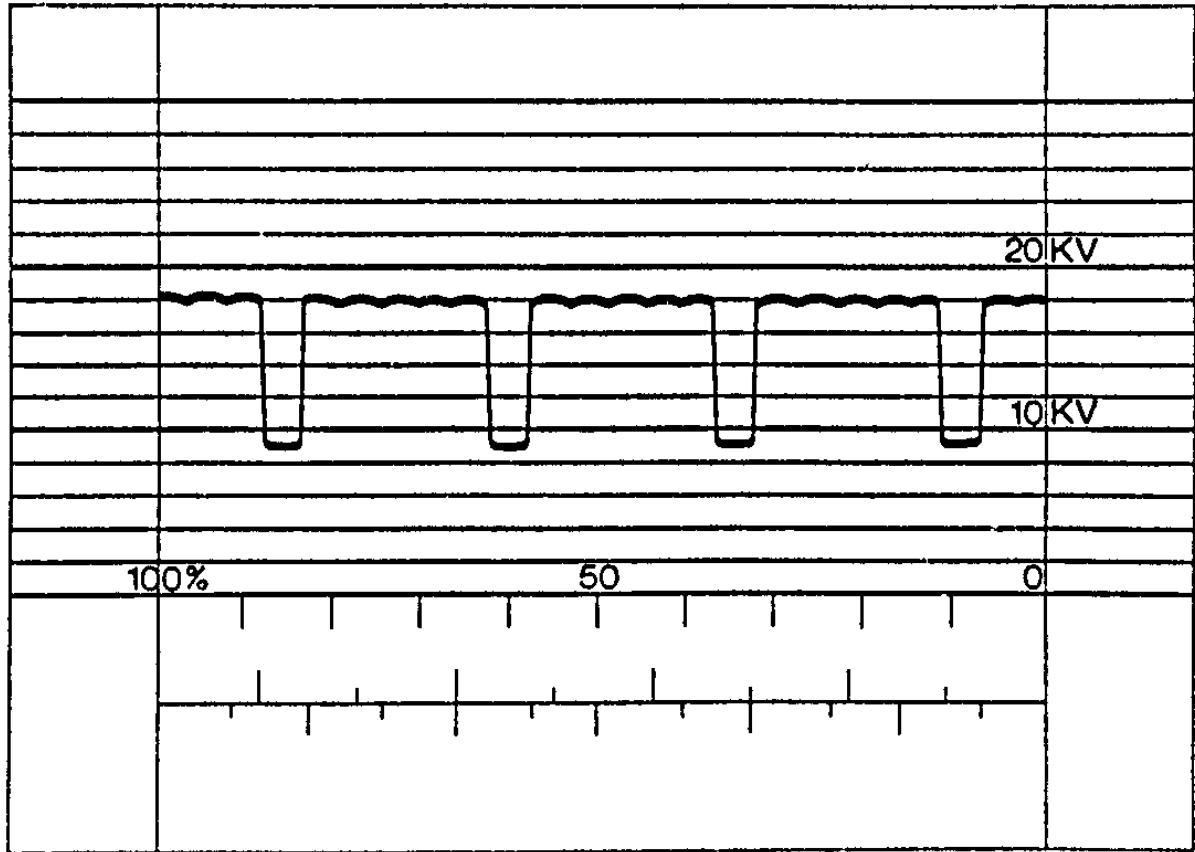
KME00052

Figure 40 Normal Pattern



11.3.3 Open Exciter Diode

This pattern displays a characteristic dip in the normally smooth wave characteristic of a defective exciter diode. This would require disassembly of the alternator and replacement of the rectifier assembly.



KME00053

Figure 41 Open Exciter Diode

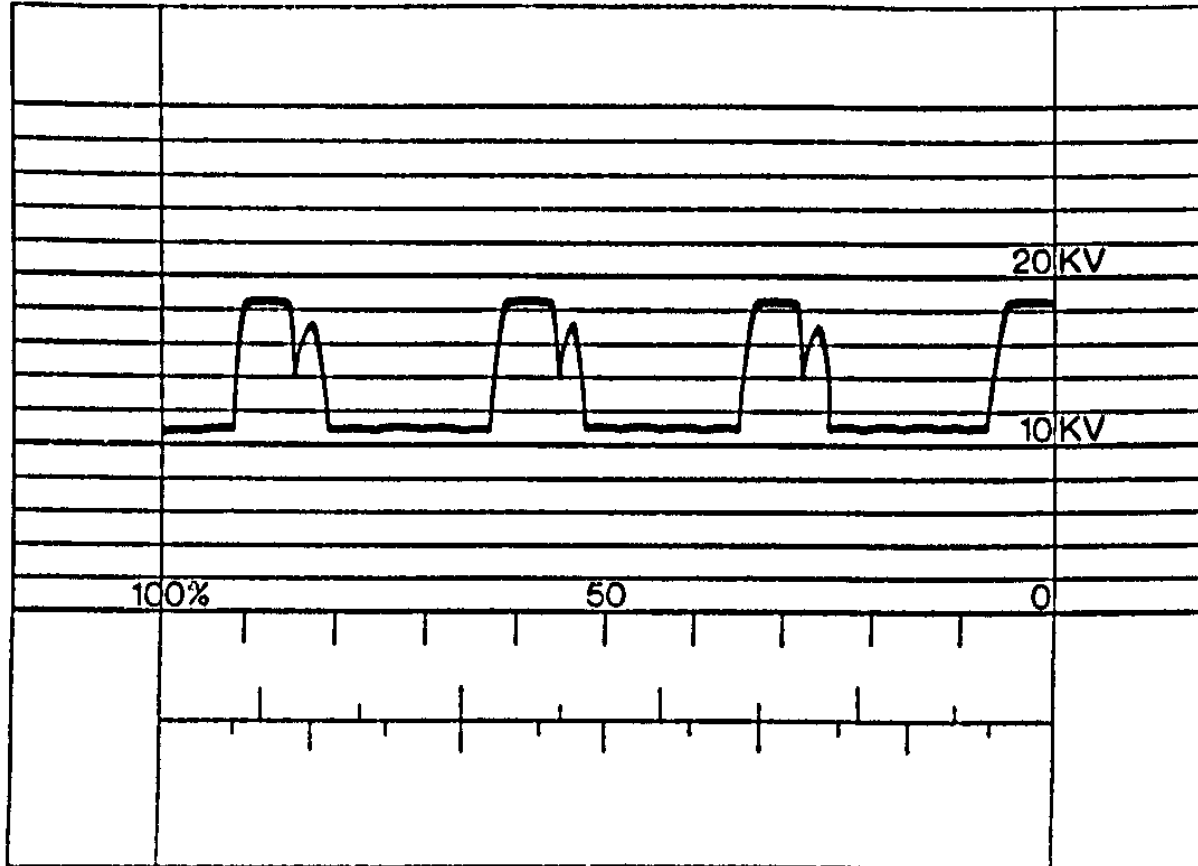


11.3.4 Open Positive Rectifier Diode

This pattern identifies an open positive rectifier diode. In the case of multiple diodes in parallel, all of the diodes on the circuit must be open. An example is:

There are two diodes in the rectifier for each phase of the stator. Both diodes must be open for this pattern to appear.

With this type of defect, the rectifier assembly must be replaced.



KME00054

Figure 42 Open Positive Rectifier Diode

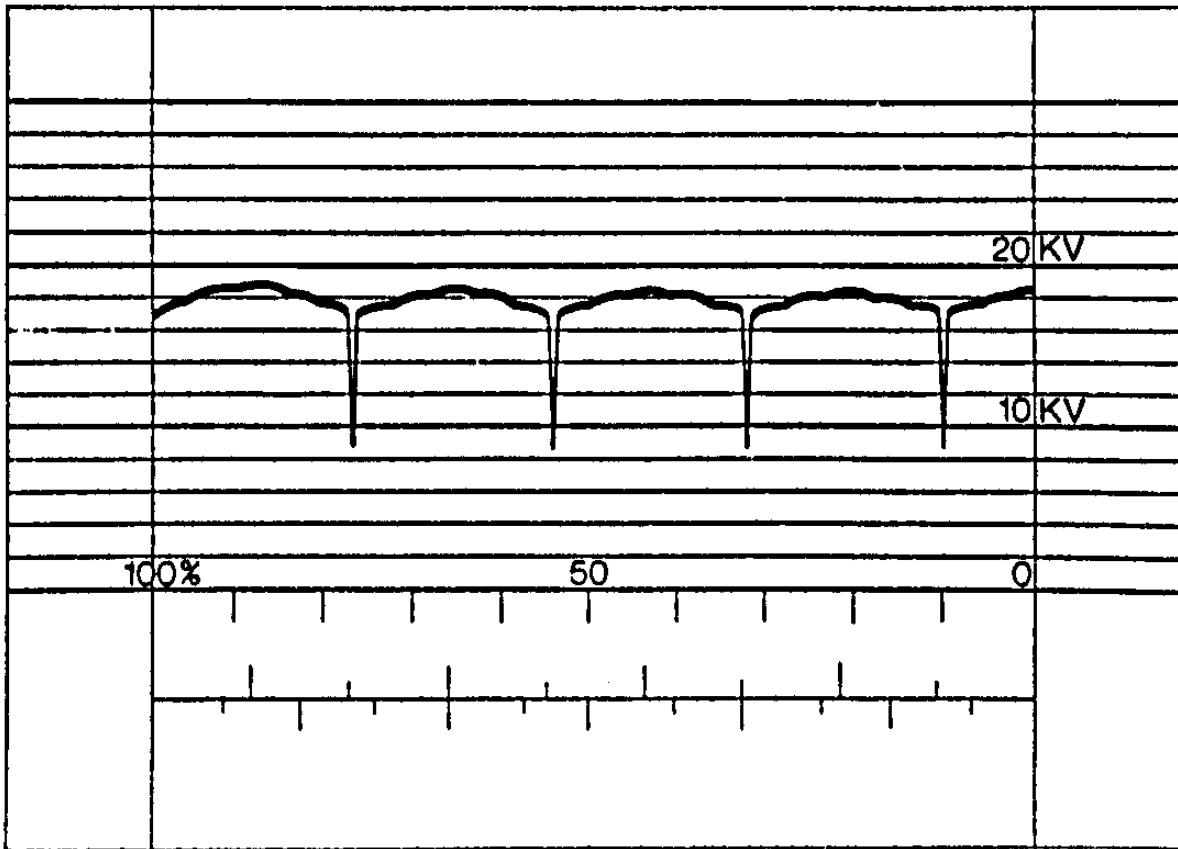


11.3.5 Open Negative Rectifier Diode

This pattern identifies an open negative rectifier diode. In the case of multiple diodes in parallel, all of the diodes on the circuit must be open. An example is:

There are two diodes in the rectifier for each phase of the stator. Both diodes must be open for this pattern to appear.

With this type of defect, the rectifier assembly must be replaced.



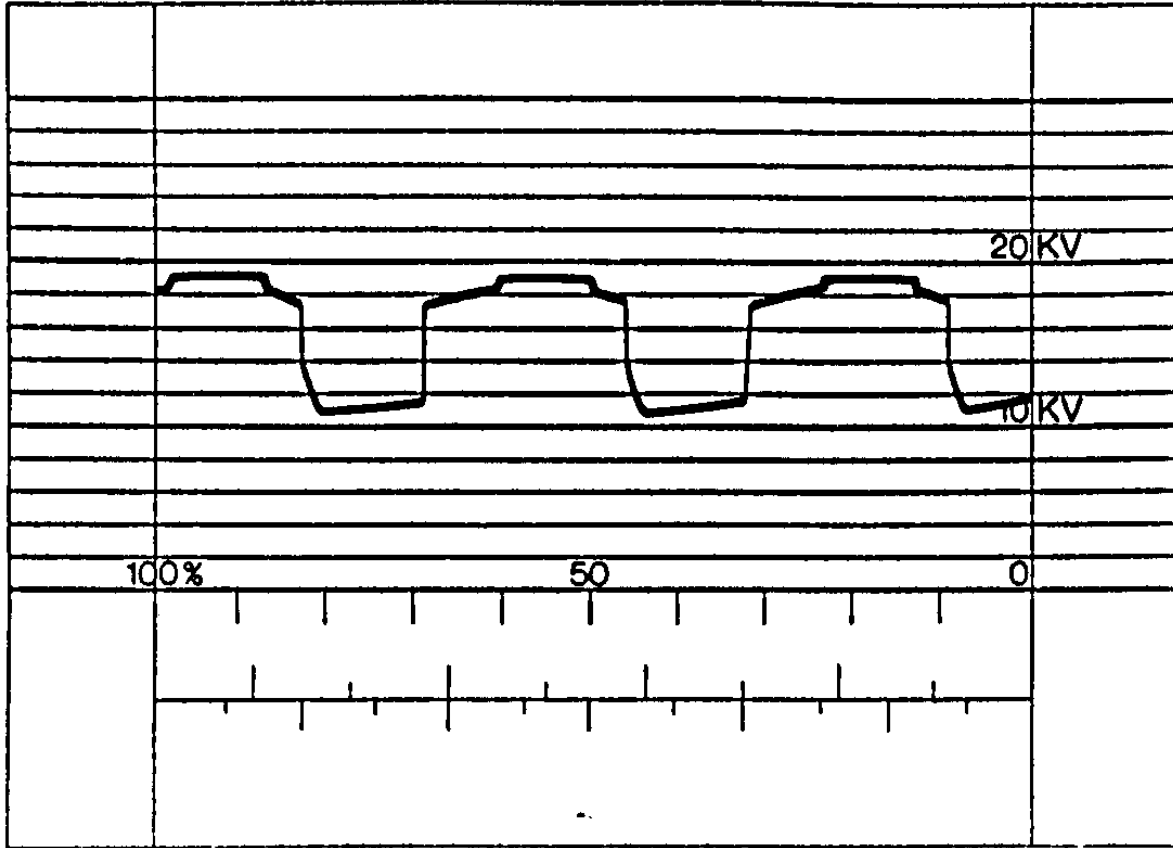
KME00055

Figure 43 Open Negative Rectifier Diode



11.3.6 Shorted Exciter Diode

This pattern identifies a shorted exciter diode. This would require disassembly of the alternator and replacement of the rectifier assembly.



KME 00056

Figure 44 Shorted Exciter Diode



11.3.7 Shorted Positive Rectifier Diode

This pattern identifies a positive rectifier diode that is shorted. This defect requires replacement of the rectifier assembly.

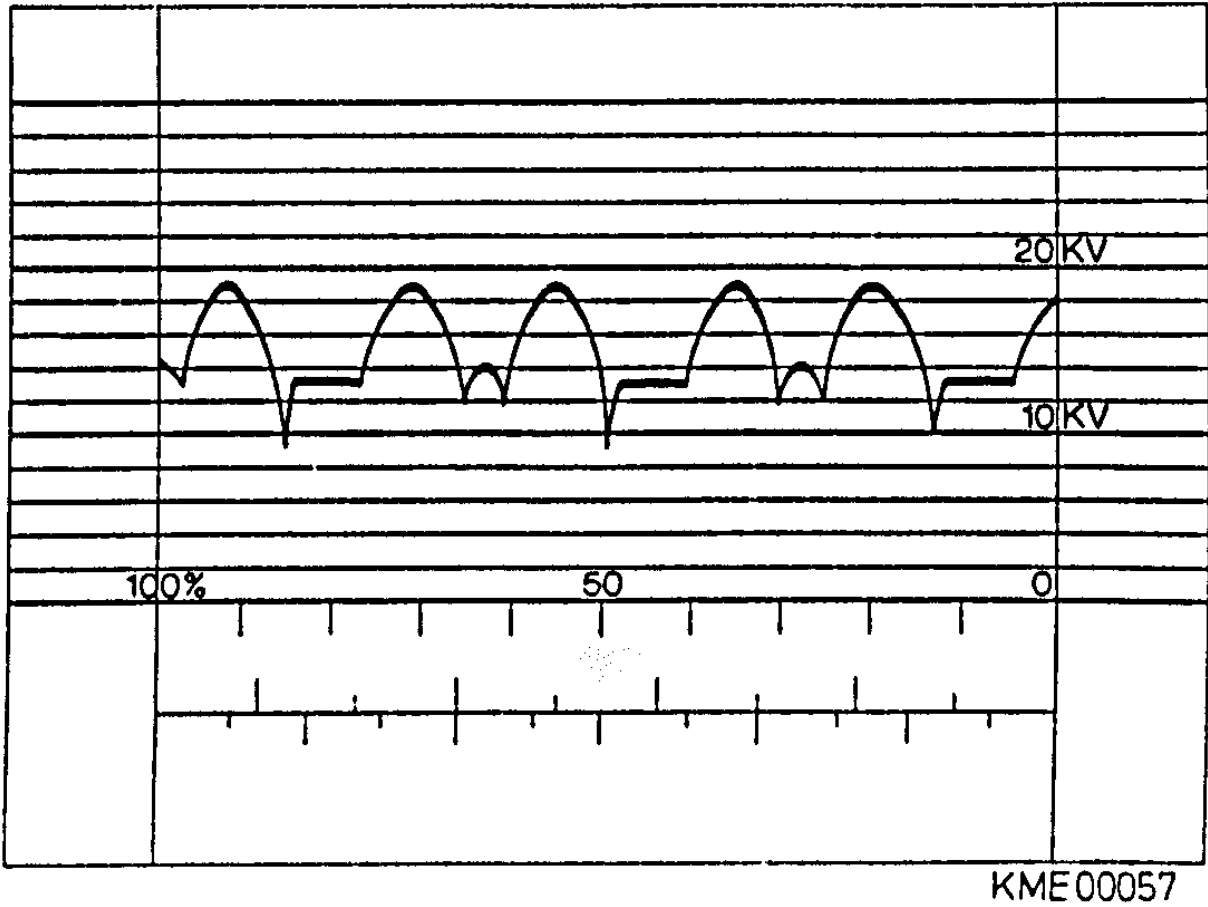
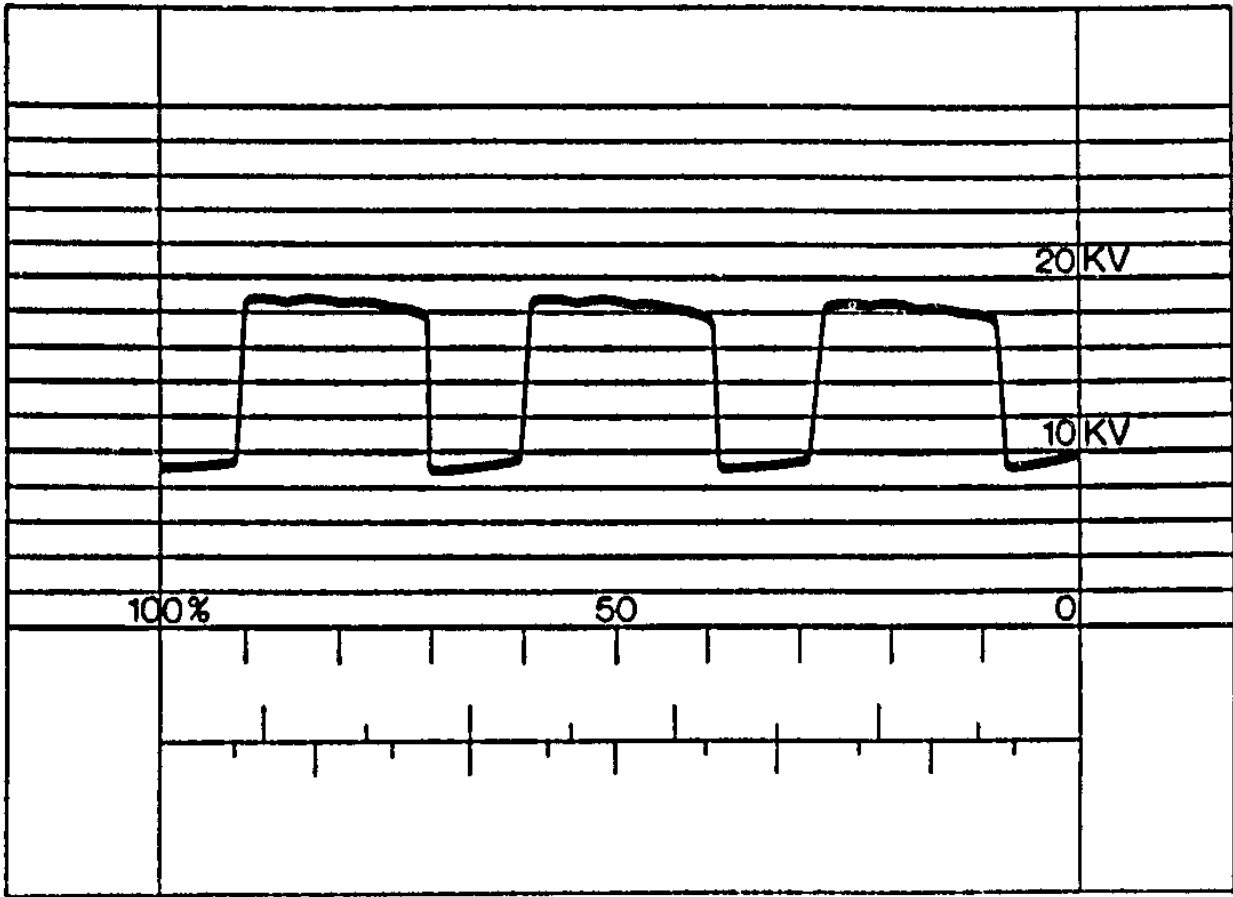


Figure 45 Shorted Positive Rectifier Diode



11.3.8 Shorted Negative Rectifier Diode

This pattern identifies a negative rectifier diode that is shorted. This defect requires replacement of the rectifier assembly.



KME00058

Figure 46 Shorted Negative Rectifier Diode



11.3.9 Open Phase of Stator

This pattern illustrates a stator with an open phase winding. This type of defect would require replacement of the stator.

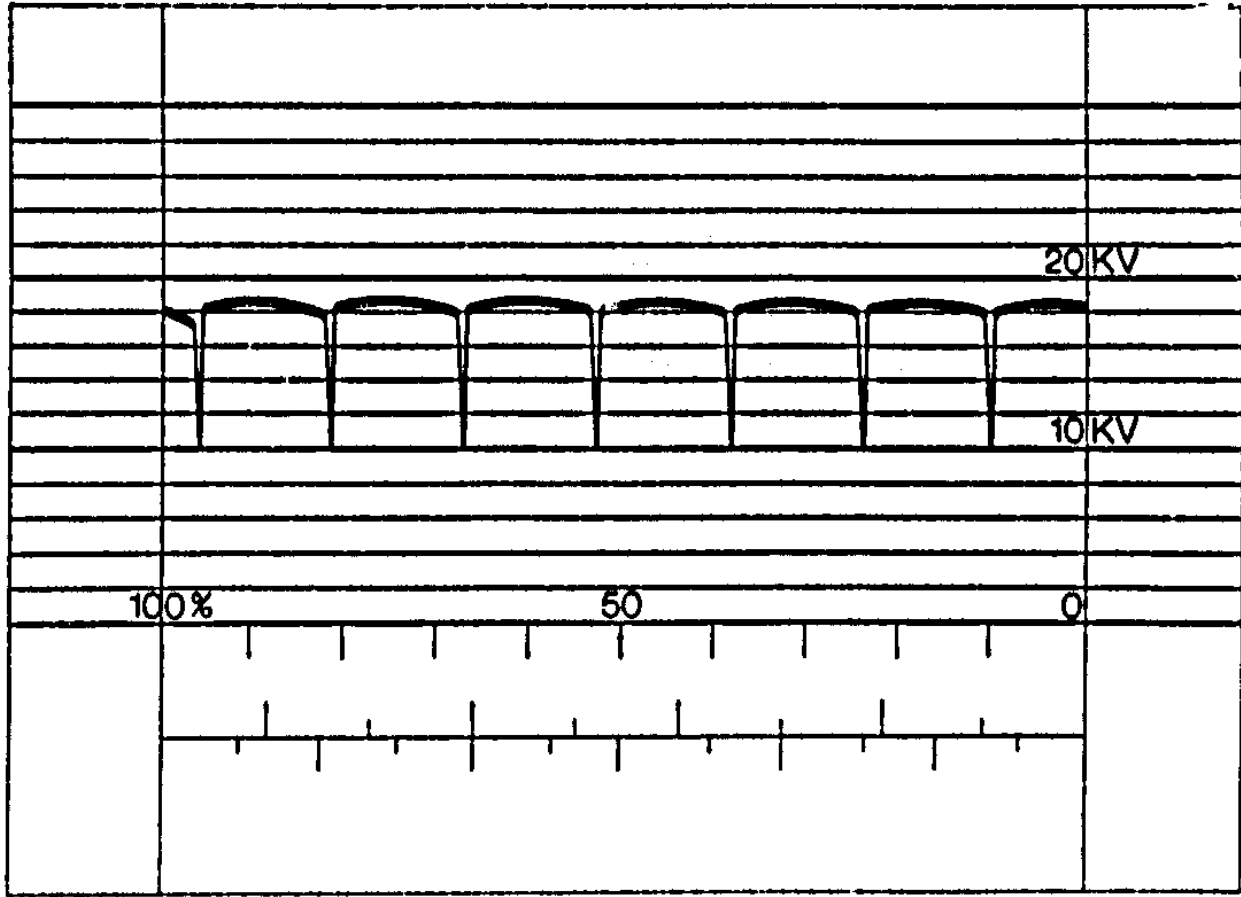


Figure 47 Open Stator Phase