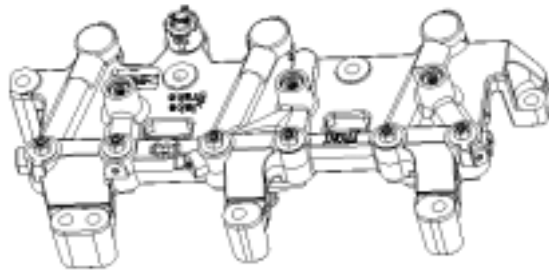


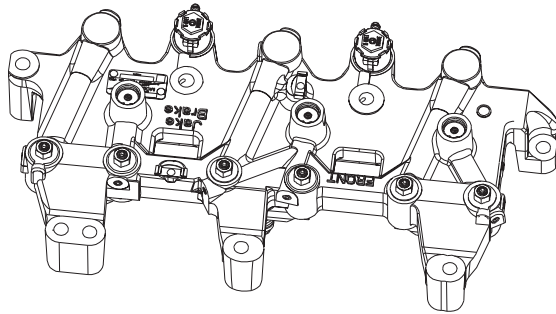
Jake Brake® Models 790, 795 & 797

for Detroit Diesel Series 60® Engines
Year 2000 Production Engines and Beyond



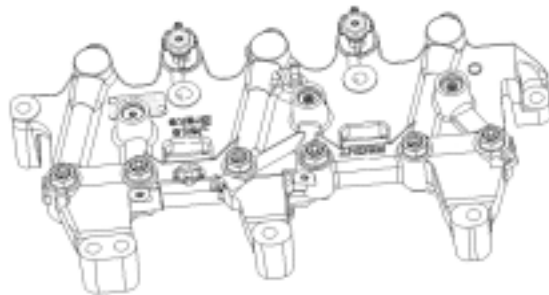
797 Series

For engines manufactured 10/01/02-



Model 795

For engines manufactured 8/10/00-9/30/02



790 Series

For engines manufactured 12/15/99-8/10/00

Features & Benefits

Designed in partnership with Detroit Diesel to yield a more simplified design, reducing weight while increasing performance & reliability:

- Significant low & mid-range RPM performance improvements
- Respected Jake Brake® reliability & durability

Jake Brake is the only engine brake brand installed at Detroit Diesel

Backed by Detroit Diesel's worldwide distributor & dealer network

2-year/unlimited mileage standard warranty



Engineered

for the
Road Ahead™

Jake Brake® Models 790, 795 & 797

for Detroit Diesel Series 60® Engines

Technical Specifications

Height	4.2"	107 mm
Length	19.6"	498 mm
Width	4"	102 mm
Kit Added Weight	75 lbs.	34 kg.
Housings Per Engine	2	

Application Information

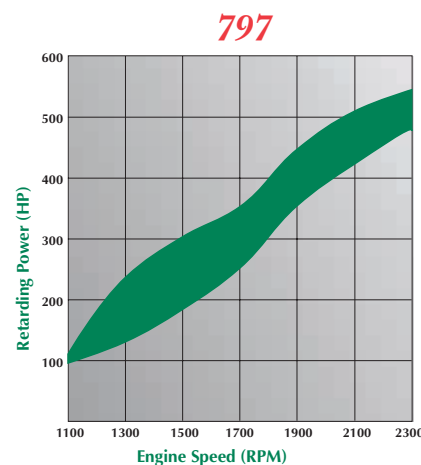
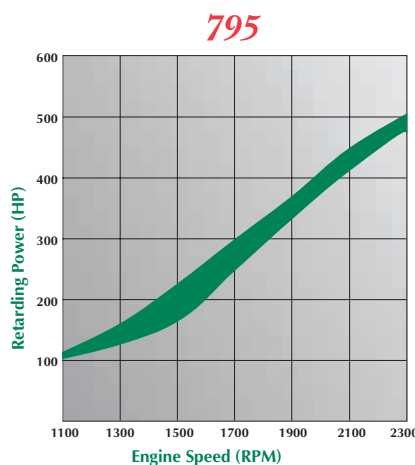
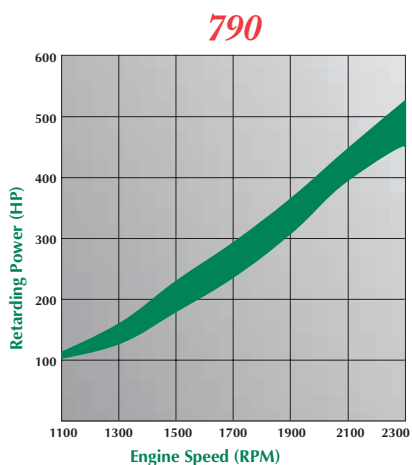
For the most accurate application information, refer to the Detroit Diesel Application Guide (Jacobs P/N 24770), available from your Detroit Diesel Distributor or online at www.jakebrake.com.

How The Jake Brake® Works:

Energizing the engine brake effectively converts a power-producing diesel engine into a power-absorbing air compressor. This is accomplished through motion transfer using a master/slave piston arrangement which opens cylinder exhaust valves near the top of the normal compression stroke, releasing the compressed cylinder charge to exhaust.

The blowdown of compressed air to atmospheric pressure prevents the return of energy to the engine piston on the expansion stroke, the effect being a net energy loss since the work done in compressing the cylinder charge is not returned during the expansion process.

Retarding Performance



RPM	790				
	12.7L 330-350	12.7L Std	12.7L Prem	14L US Hwy	14L Australia
1100	101	101	105	105	110
1300	138	136	142	143	163
1500	193	194	190	185	235
1700	267	273	251	241	294
1900	342	351	323	308	368
2100	406	413	397	401	455
2300	465	470	480	483	525

RPM	795			
	12.7L 330-350	12.7L Std	12.7L Prem	14L US
Hwy				
1100	110	108	102	109
1300	157	150	135	140
1500	220	215	165	193
1700	299	280	250	253
1900	359	363	340	333
2100	419	445	420	412

RPM	797					
	12.7L 426	12.7L 433	12.7L Australia	14L 430	14L 489	14L 500
Hwy						
1100	111	104	99	116	113	109
1300	156	150	135	233	238	151
1500	226	229	191	285	302	221
1700	307	320	262	324	348	305
1900	366	382	359	404	448	404
2100	426	433	439	443	510	489
2300	475	479	496	492	564	552

Important Note: The performance data shown above is measured in accordance with SAE J1621 power measurement standard, up to engine manufacturer's rated engine speed of 2100 RPM.

Others may claim higher retarding performance. Only the Jacobs Engine Brake® is designed and tested in cooperation with Detroit Diesel to provide the highest performance available while maintaining or improving engine brake system reliability and durability.



Jake Brake® is a registered trademark of Jacobs Vehicle Systems, Bloomfield, CT 06002

Series 60 is a registered trademark of Detroit Diesel Corporation
P/N 030562

Rev. B 3/03

© 2003 Jacobs Vehicle Systems, Inc.

Printed in U.S.A.