



9001017-RTC1 CONTROL CONSOLE CONSR-WiFi / RTC

PARTS MANUAL

**Axion Ref. No.: 3042017
(Revision --)**

Electronic Destination Sign Systems

9001017-RTC1 CONTROL CONSOLE

CONSR-WiFi / RTC

PARTS MANUAL

**Axion Ref. No.: 3042017
(Revision --)**

2013

The information provided in this document may be modified without prior notice.
No part of this manual may be reproduced or transmitted for any purpose by
any electronic or mechanical means, without a written authorization from:

**© 2013 Axion Technologies Ltd.
Technical Publications and Training Department
All rights reserved**

PRINTED IN CANADA

HANDBOOK CHANGE INFORMATION

At AXION TEHCNOLOGIES LTD., we continually strive to keep up with the latest electronic developments with circuit and component improvements or simply by designing new equipment.

Sometimes, due to printing requirements, we are unable to incorporate these changes immediately into printed handbooks.

Our customers are welcome to contact our Technical Department concerning their requirements for the latest changes to our publications.

We also request that you notify us of any error found or omission in our publications.

Axion Technologies Ltd.
151, rue du Parc-de-l'Innovation
La Pocatière, Québec, Canada, GOR 1Z0
Phone: 418-856-1454

www.axiontech.ca

List of revisions

REVISION	DATE	DESCRIPTION OF CHANGES
--	2013-02-13	Original

Table of Contents

1. TECHNICAL DESCRIPTION.....	1
2. CONTROL CONSOLE DESCRIPTION.....	2
2.1. DIMENSIONS.....	2
2.2. ASSEMBLY.....	3
2.2.1. Exploded View.....	3
2.3. ELECTRONIC MODULE 8101692.....	4
2.4. WIRING DIAGRAM.....	5
2.5. PARTS LIST.....	6
3. REMOVAL AND REPLACEMENT PROCEDURES.....	8
3.1. CONTROL CONSOLE REMOVAL AND REPLACEMENT.....	8
3.2. ELECTRONIC MODULE REMOVAL AND REPLACEMENT.....	9

1. TECHNICAL DESCRIPTION



FUNCTIONS

- ⇒ Controls all signs installed on the vehicle
- ⇒ Management of public messages
- ⇒ Messages are selected by entering the route number
- ⇒ Portable Transfer Unit or USB or WiFi transfer of Database
- ⇒ Control screen allows users to see the message being displayed
- ⇒ Self-diagnosis displayed on the control screen
- ⇒ Transfer of LED Test Messages to signs
- ⇒ Other available options :
 - Emergency - Distress button
 - Automatic routing
 - Power-off delay

FEATURES

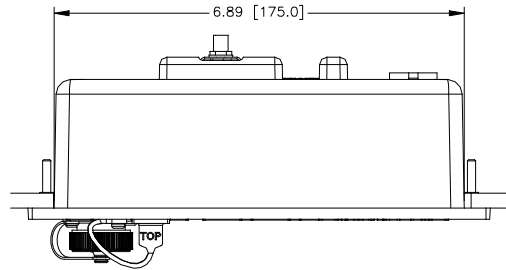
- ⇒ Number of signs managed: up to 9 per vehicle
- ⇒ Control screen: 2 x 20 digits, liquid crystal display (LCD) screen
- ⇒ Keyboard: Polycarbonate membrane, chemical resistant
- ⇒ Case material: Thermoformed ABS, Black
- ⇒ Voltage Range: 10 - 36 Vdc, 12 or 24 Vdc nominal voltage
- ⇒ Power consumption: 0.14 A

MECHANICAL FEATURES

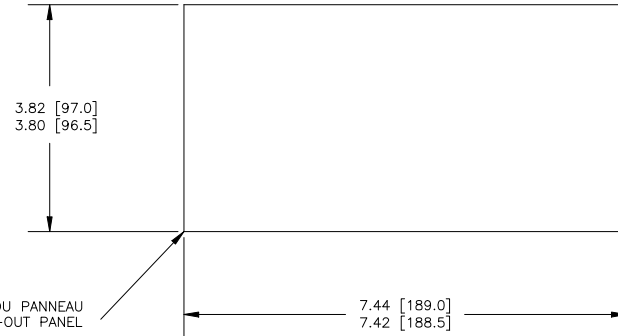
- ⇒ Height: 10.16 cm (4.0 in)
- ⇒ Length: 19.69 cm (7.75 in)
- ⇒ Thickness: 6.91 cm (2.7 in)
- ⇒ Weight: 900 g (2 lb)

2. CONTROL CONSOLE DESCRIPTION

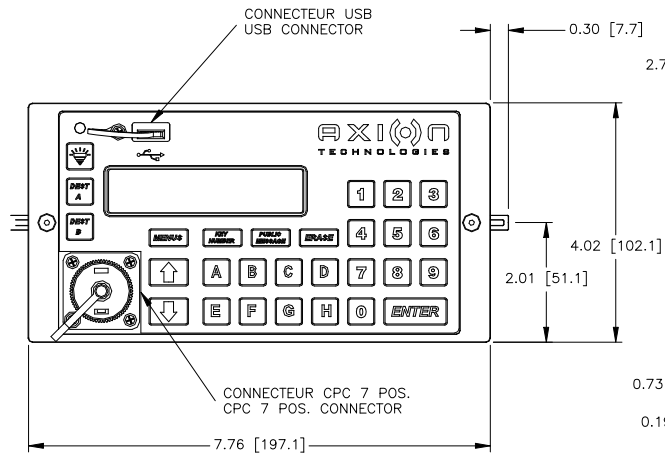
2.1. DIMENSIONS



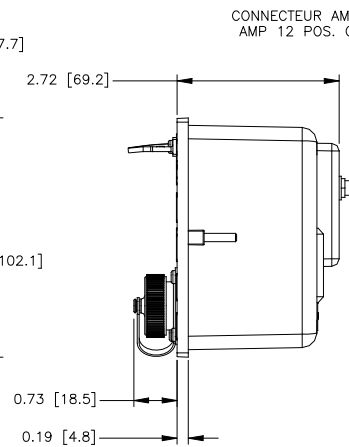
VUE DE DESSUS
TOP VIEW



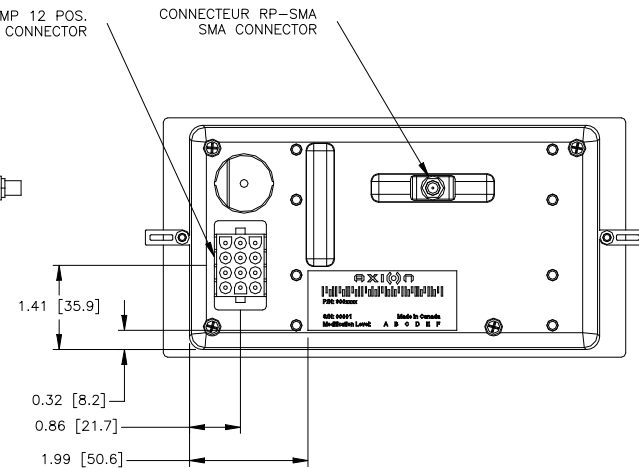
DÉCOUPE DU PANNEAU
CUT-OUT PANEL



VUE DE FACE
FRONT VIEW



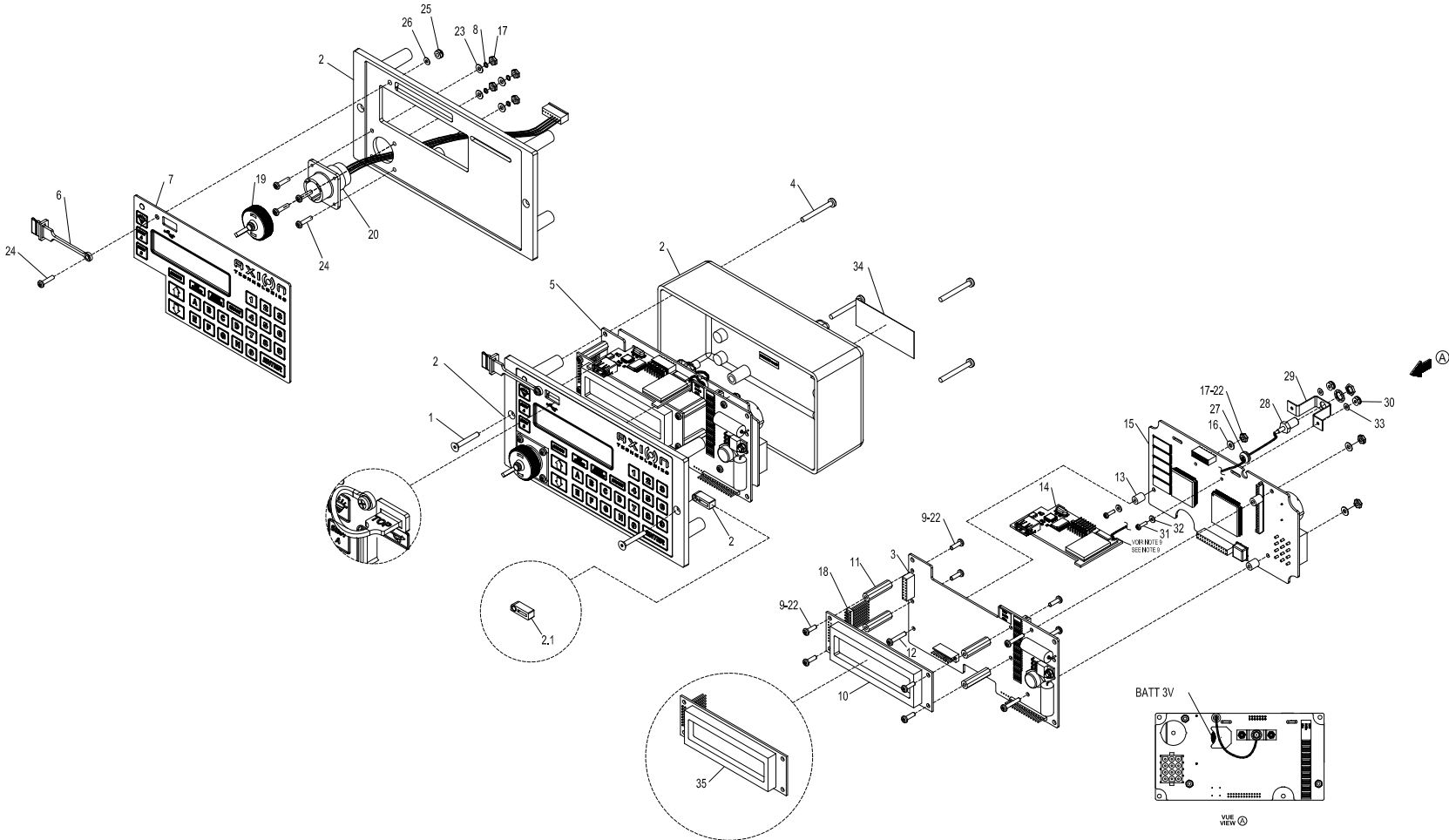
VUE DE CÔTÉ
SIDE VIEW



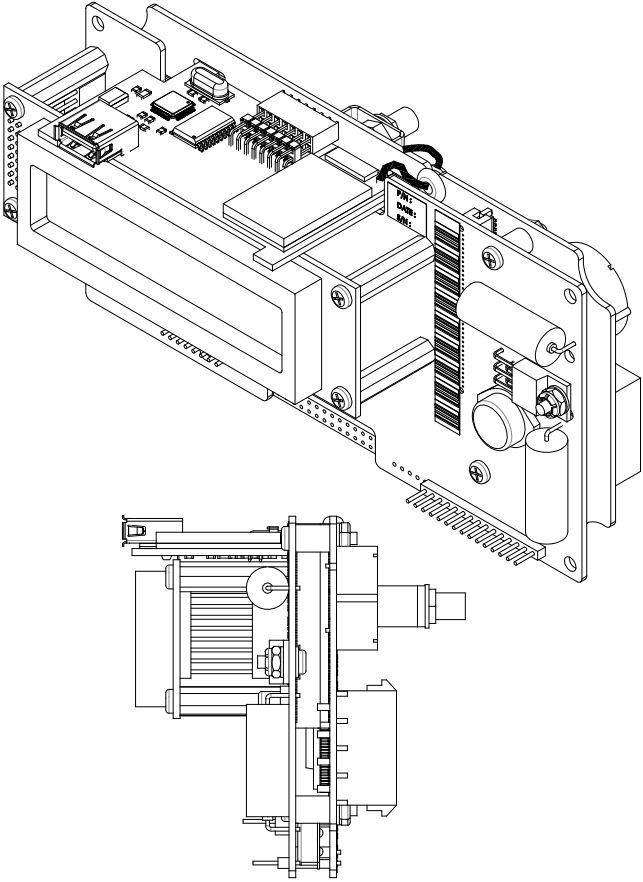
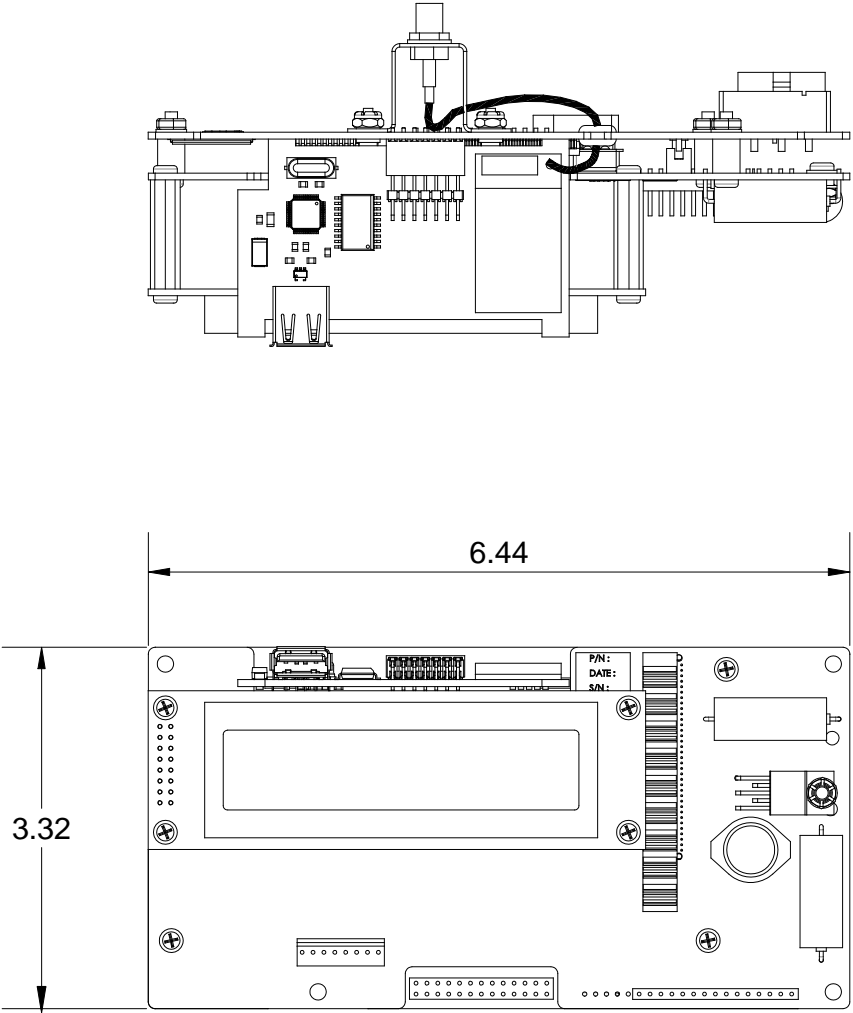
VUE ARRIÈRE
REAR VIEW

2.2. ASSEMBLY

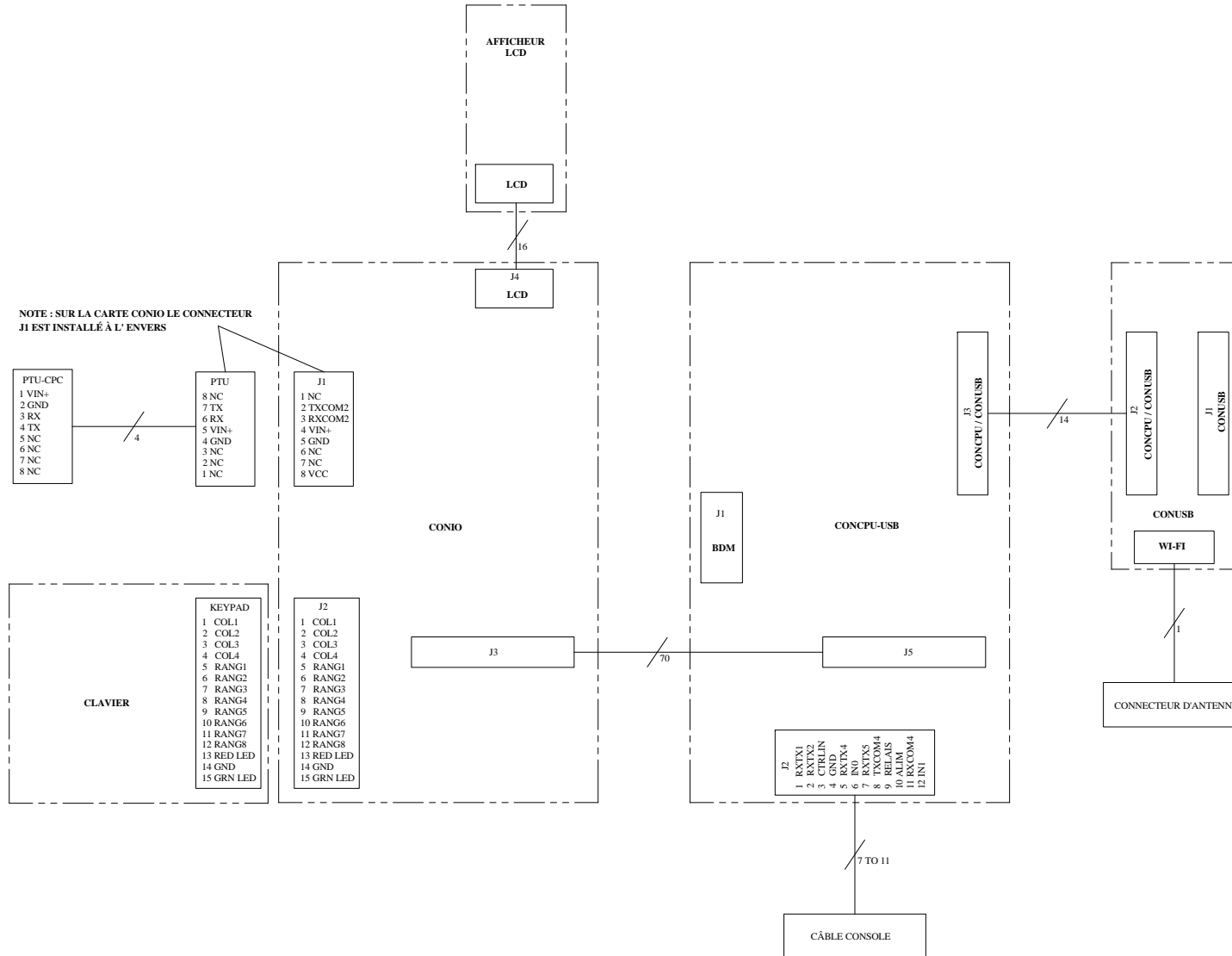
2.2.1. Exploded View



2.3. ELECTRONIC MODULE 8101692



2.4. WIRING DIAGRAM



2.5. PARTS LIST

NOTE

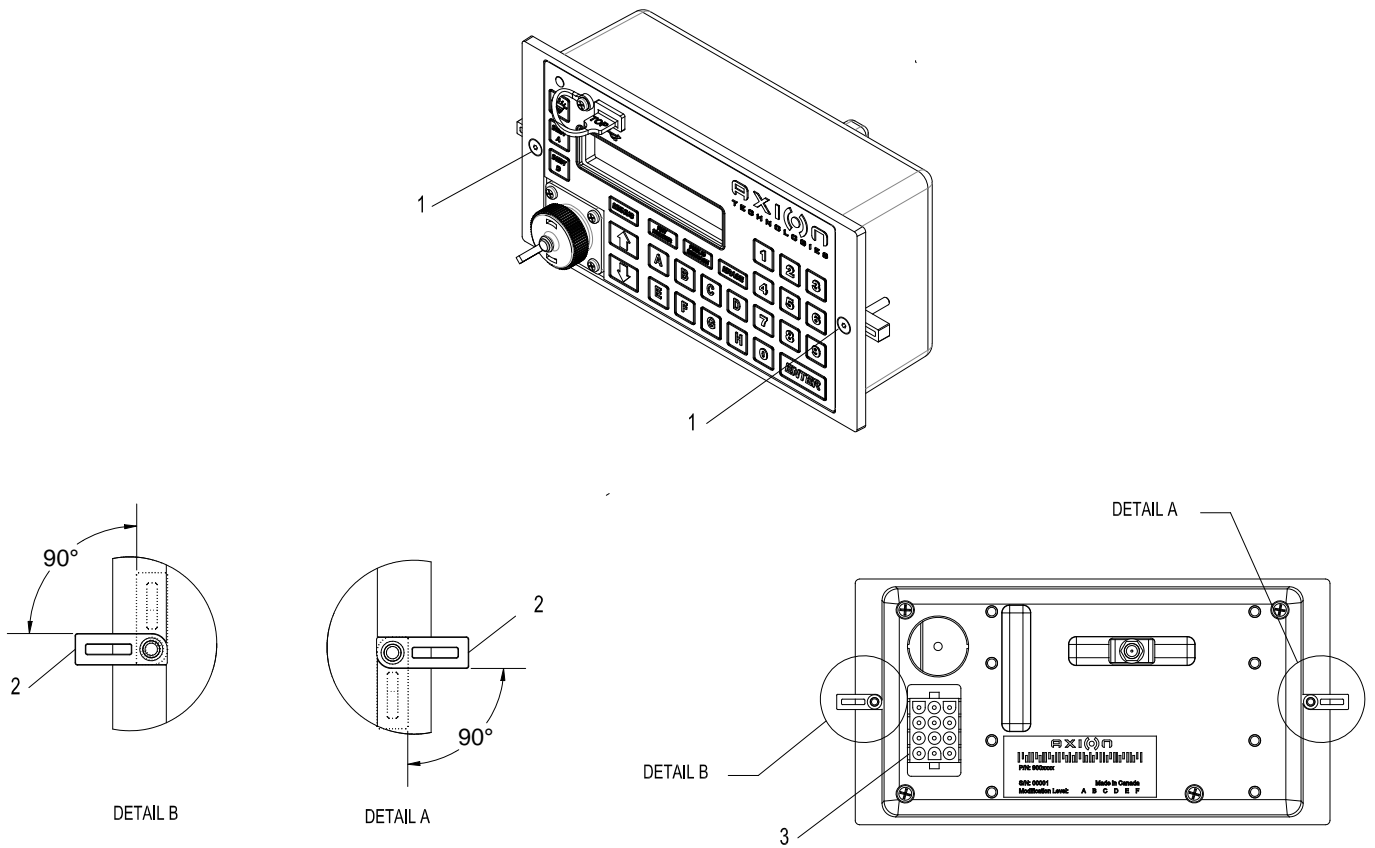
The following callouts correspond to superseded or unavailable items: 21.

Item No.	Part No.	Qty ¹	Description	Manufacturer	Remarks
X	9001017-RTC1 – XXX	1	Control console	AXION	Complete product – Specify option number on the serial number label when ordered.
XX	8300980	1	Control Console Casing	AXION	Includes following items : 1, 2, 4, 6, 7, 8, 17, 20, 23, 24, 25, and 26
5	8101692	1	Complete Console Electronic Module	AXION	Includes following items: 3, 9, 10, 11, 12, 13, 14, 15, 16, 17, 18, 22, 27, 28, 29, 30, 31, 32, and 33.
35	8101129	1	LCD 20x2 ASSY	AXION	Includes following items:10 and 18
1	2826199	2	SCR ALL 6-32 1 STL BLK FL	3900-0617 M.LEMIEUX	
2	8400128	1	0901 CSL CSG MACH	AXION	
3	8100998	1	0675 CON IN/OUT 24V BD ASS'Y	AXION	
4	2826198	4	SCR PHI 6-32 1 1/4 STL BOXD PAN	632-1 1/4 DUFRESNE	
6	2100403	1	DUST CAP USB TYPE A	AXION	
7	0101208	1	0760 CSL KEYPAD PTU-USB	AXION	
8	2825180	4	SPRING WASH SZN #4	W-309 SPAENAUER	
9	2825055	8	SCR PHI 4-40 3/8 STL/ZN PAN	385-282 SPAENAUER	
10	2450850	1	LCD MODULE C 2X20 YEL LED B.L.	WC2002A-SFYLYHTC06 WINCOM	
11	2826201	4	SPCR HEX 4-40 1 ALU	608-139 SPAENAUER	
12	2825422	3	SCR PHI 4-40 5/8 STL/ZN PAN	385-078 SPAENAUER	
13	2826200	3	SPCR #4 5/16 NYL	1125-4-N RAF	
14	8101126	1	0901 CON USB/WiFi BD ASS'Y	AXION	
15	8101690	1	0901 CONCPU RTC BD ASS'Y	AXION	
16	2825235	3	FLAT WASHER NYL #4 1/4 1/16	3358 KEYSTONE	
17	2825819	7	NUT 4-40 STL/ZN	B-753 SPAENAUER	
18	2101581	1	HEAD 016 STR P DUAL PCB SN	TSW-108-18-G-D SAMTEC	
19	2101582	1	DUST CAP, CIRC, 13, PLA, STRAP	211870-2 AMP	
20	8200571	1	0675 CONSOLE PTU HARNESS	AXION	
22	1600092	N/A	THREAD LOCKER GLUE REMOVABLE	242 LOCTITE	

Item No.	Part No.	Qty ¹	Description	Manufacturer	Remarks
23	2825578	4	FLAT WASHER SZN #4 5/16 1/32	W-277 SPAENAU	
24	2825027	5	SCR PHI 4-40 1/2 STL/ZN PAN	385-077 SPAENAU	
25	2825208	1	LOCKNUT 4-40 STL/ZN NYL	178-C01-1Y SPAENAU	
26	2827268	1	WASHER, FLAT, SST, NO 4, 0.250X0.031	98019A309 MMC	
27	2500005	1	GROMMET, RBR,0.125 IN ID, 0.344 IN OD, 0.188 IN TH, 0.063 IN GROOVE WIDTH, 0.250 IN GR DIA	B-1030 SPAENAU	
28	2109855	1	CABLE COAXIAL 6 IN, U.FL TO REV SMA CONNECTORS		
29	0302266	1	BRACKET, WiFi CABLE	AXION	
30	2826949	2	LOCKNUT 2-56 STL NYL	HN-248 SPAENAU	
31	2826242	2	SCR PHI 2-56 5/16 STL/ZN PAN	385-073 SPAENAU	
32	2826202	2	FLAT WASHER NYL #2 7/32 1/32	654-015 SPAENAU	
33	2825746	2	FLAT WASHER SZN #2 7/32 1/64	656-034 SPAENAU	
34	8500483	1	0901 CONSOLE USB/WIFI STK ID	AXION	
¹ QTY UOM = EA unless specified					

3. REMOVAL AND REPLACEMENT PROCEDURES

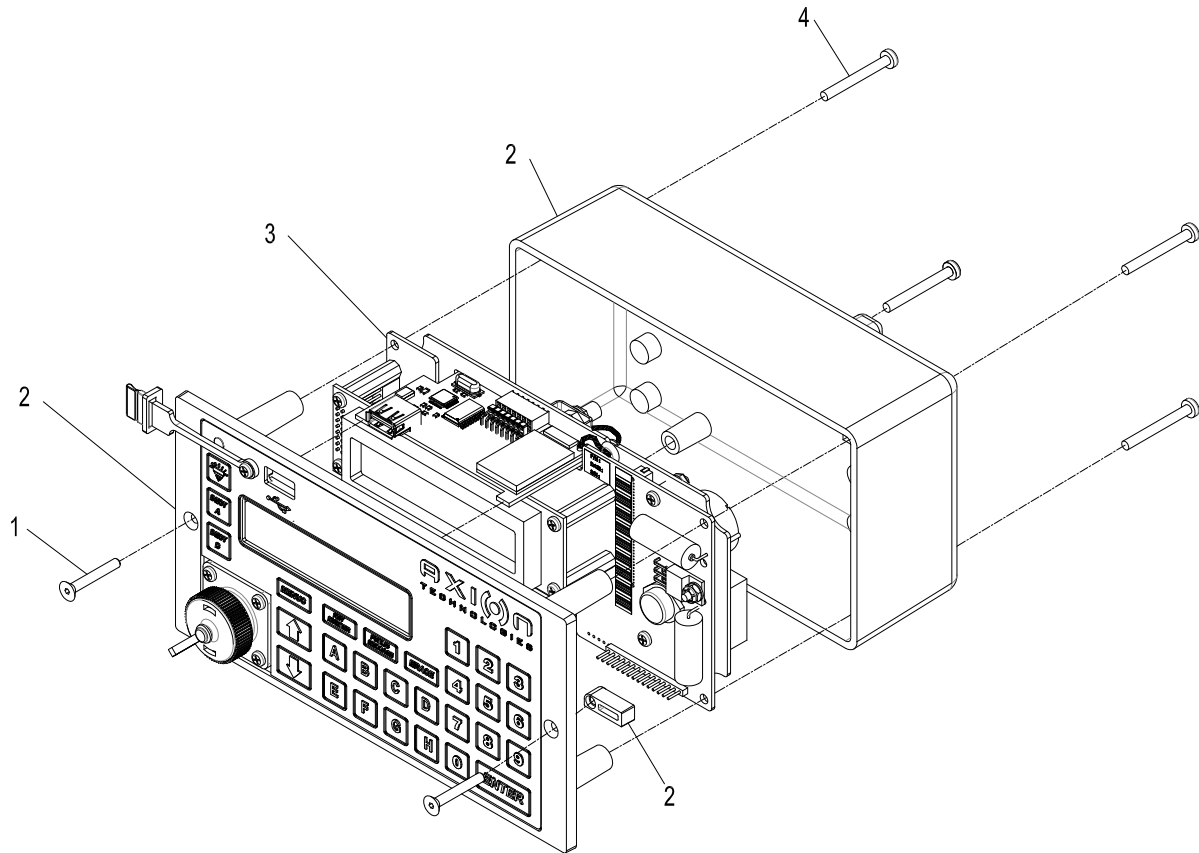
3.1. CONTROL CONSOLE REMOVAL AND REPLACEMENT



Procedure :

- Loosen screws (1) to tilt plastic clip (2) to 90°.
- Completely remove console from dash.
- Disconnect connector (3) from rear console.
- Reverse procedure to replace console.

3.2. ELECTRONIC MODULE REMOVAL AND REPLACEMENT



Procedure :

- Unscrew four screws (4).
- Pull apart casing (2).
- To disconnect front plate casing connectors, proceed as follows
 - Disconnect keypad connector from electronic module.
 - Disconnect PTU connector from electronic module.
- Remove defective module (3).
- Reverse procedure to replace module. Proceed as follows:
 - Reconnect keypad connector to J2 located on board #8100998.
 - Reconnect PTU connector to J1 located on board #8100998.
- Program according to your console option as follows:
 - Press MENUS key and enter password 1 2 3 4.
 - Select menu 14.
 - Enter password “BAHG”.
 - Select item #3 “CONSOL OPTION” and press “ENTER”. At the prompt “ENTER OPTION NUMBER”, enter the three-digit number on the serial number label and press “Enter”.
 - Console reboots and displays the new option number.