

# Service friendly

Easy service on KK73



**Mounting of the coil** (Torque: Bitzer 25Nm, Bock 34Nm)



**Mounting on compressor**



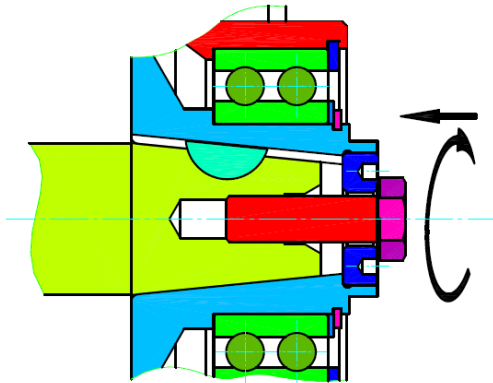
**Fixing of the clutch** (Torque: 60-80 Nm)



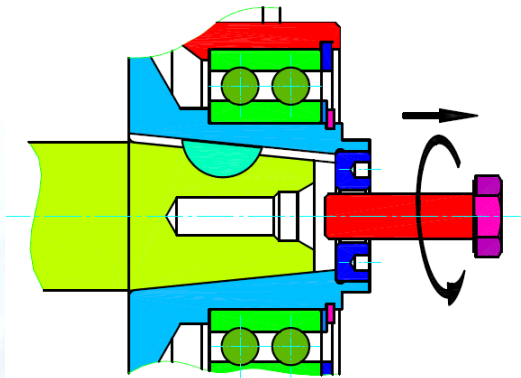
**Take off from compressor**

# Service friendly

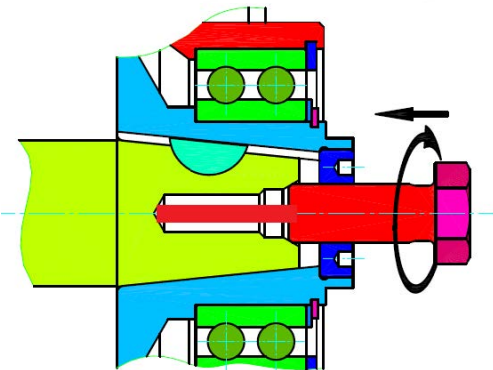
Simple and safe mounting / dismounting KK73



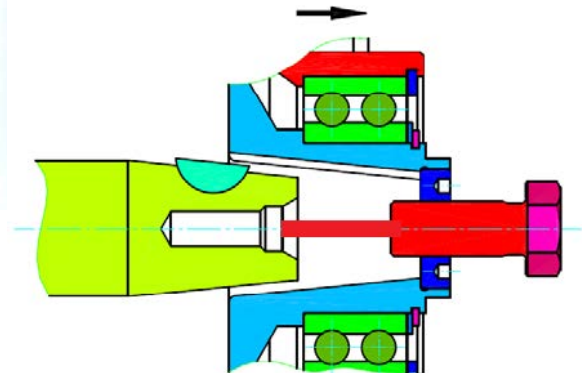
**Fixing with M12 screw**



**Demounting of M12 screw**



**Pull off the clutch with extractor #680888**



**Take off the clutch**