



*M***SERIES**

PARTS CATALOG

SERIAL NUMBERS

G-I PCM MODEL HEATERS: 600000 – 704999

VANE COMPRESSOR MODEL HEATERS: 600000 – 699999

For Current Models Refer to Parts Catalog SL9167

PROHEAT

TABLE OF CONTENTS

A. SAFETY	A-1
B. SELECTION GUIDE	B-1
GENERAL HEATER ARRANGEMENT	1
BURNER HEAD/BLOWER	2
COMPRESSOR	3
<i>(s/n Beginning with 500000 and 600000)</i>	
COMPRESSOR	4
<i>(s/n Beginning with 700000 & R700000)</i>	
FUEL DELIVERY BLOCK	5
IGNITION / AIR / FUEL SYSTEM	6
G-I PROHEAT CONTROL MODULE (PCM)/TEMP SENSOR	7
G-II PROHEAT CONTROL MODULE (PCM)/TEMP SENSOR	8
OPTIONS	
Fuel Supply System	9
Air Inlet Hose	10
Timer/Exhaust System	11
Switch	12
Enclosure	12
Coolant Pump	13
Harness Attachments	14
Electrical Connectors	15
TEST EQUIPMENT & SPECIAL TOOLS	
Flow Indicator/Test Gauges/ Leads & Adapters ...	16
Datalink Kit	17
Software, M-Series Config. Updater	17
DOCUMENTATION	
Service Manual	17
Parts Catalog	17
NUMERIC PARTS INDEX	18

A. SAFETY

Throughout this manual, you will see notes labeled **DANGER**, **WARNING**, **CAUTION**, and **NOTICE** to alert you to special instructions or precautions concerning a particular procedure that would be hazardous if performed incorrectly or carelessly.

Observe them carefully!

These safety alerts alone cannot eliminate all hazards. Strict compliance with these special instructions and common sense are major accident prevention measures.

▲ DANGER

Immediate hazards that will result in severe injury or death.

▲ WARNING

Hazards or unsafe practices that could result in severe personal injury or death.

▲ CAUTION

Hazards or unsafe practices that could result in minor injury or product or property damage.

NOTICE

Information that is important to proper installation or maintenance, but is not hazard-related.

SAFETY CONSIDERATIONS

▲ WARNING

▲ WARNING

▲ WARNING

▲ WARNING

▲ WARNING

▲ WARNING

▲ WARNING

▲ WARNING

▲ WARNING

▲ DANGER

Exhaust

Inhalation of exhaust gas (containing carbon monoxide) may cause severe personal injury and/or death. Anyone suspected of suffering from CO inhalation should be removed from the hazardous area and given medical assistance immediately.

Explosion Hazard

Do not operate heater where combustible fumes or airborne particles, such as sawdust, are present.

Fuel

Exercise extreme caution when working near fuel or fuel-filled equipment. Do not operate heater during fueling operations. In addition, do not smoke or handle open flame equipment, such as a blowtorch, around fuel.

Fire Hazard

Do not place any flammable items around the heater and exhaust pipe.

Batteries

Wear hand and eye protection when working near batteries. Do not smoke or use open flames near batteries.

Electrical

Electric shock can cause severe personal injury, burns, and death. Before working on any unit, disconnect the batteries. Use only approved materials and methods when working on the electrical system and follow local electrical codes. Never work with electricity in wet conditions or when you are feeling fatigued.

Poisons/Toxins

Fuel and coolant are toxic and in some cases, carcinogenic. Wear eye and hand protection at all times. Remove contaminated clothing immediately and wash contaminated skin. Do not breathe in vapors.

Moving/Hot Parts

Moving parts can cause severe injury and or death. Before working on any unit, shut it off. Do not operate any unit until protective covers have been replaced. Always ensure bolts and clamps are correctly torqued and secured. Inspect mechanical components periodically for damage and corrosion.

Coolant

Never remove the filler cap when the engine is hot – escaping steam or scalding water could cause serious personal injury. The coolant level in the expansion tank should be checked at least weekly (more frequently in high mileage or arduous conditions). Always check the level *when the system is cold*. Unscrew the filler cap slowly, allowing the pressure to escape before removing completely. *Never* run the engine without coolant.

Prevent anti-freeze coming in contact with the skin or eyes. If this occurs, rinse immediately with plenty of water. Anti-freeze will damage painted surfaces.

Never top-up with salt water. Even when travelling in territories where the water supply contains salt, always ensure you carry a supply of fresh (rain or distilled) water.

California Proposition 65 Warning

Do not operate heater in garages or in other closed or unventilated areas.

Diesel exhaust and some of its constituents are known to the State of California to cause cancer, birth defects, and other reproductive harm.

Electrical components in this product may contain lead, a chemical known to the State of California to cause cancer and birth defects and other reproductive harm.

B. SELECTION GUIDE

M SERIES

This selection guide is designed to help you choose the appropriate PROHEAT kit for your application.

For further information, visit our web site at www.proheat.com.

M-Series Heaters

PH0605	M50, 12 Volt Basic Heater (50,000 BTU)
PH0606	M50, 24 Volt Basic Heater (50,000 BTU)
PH0803	M80, 12 Volt Basic Heater (80,000 BTU)
PH0804	M80, 24 Volt Basic Heater (80,000 BTU)

NOTE: All M-Series Heaters DO NOT Include Coolant Pump.

NOTE: Transit Bus and Motor Coach heaters have specific parts and software. The Basic heaters listed above are not intended to be used in Transit Bus and Motor Coach applications. Please contact Proheat for further information.

Installation Kits

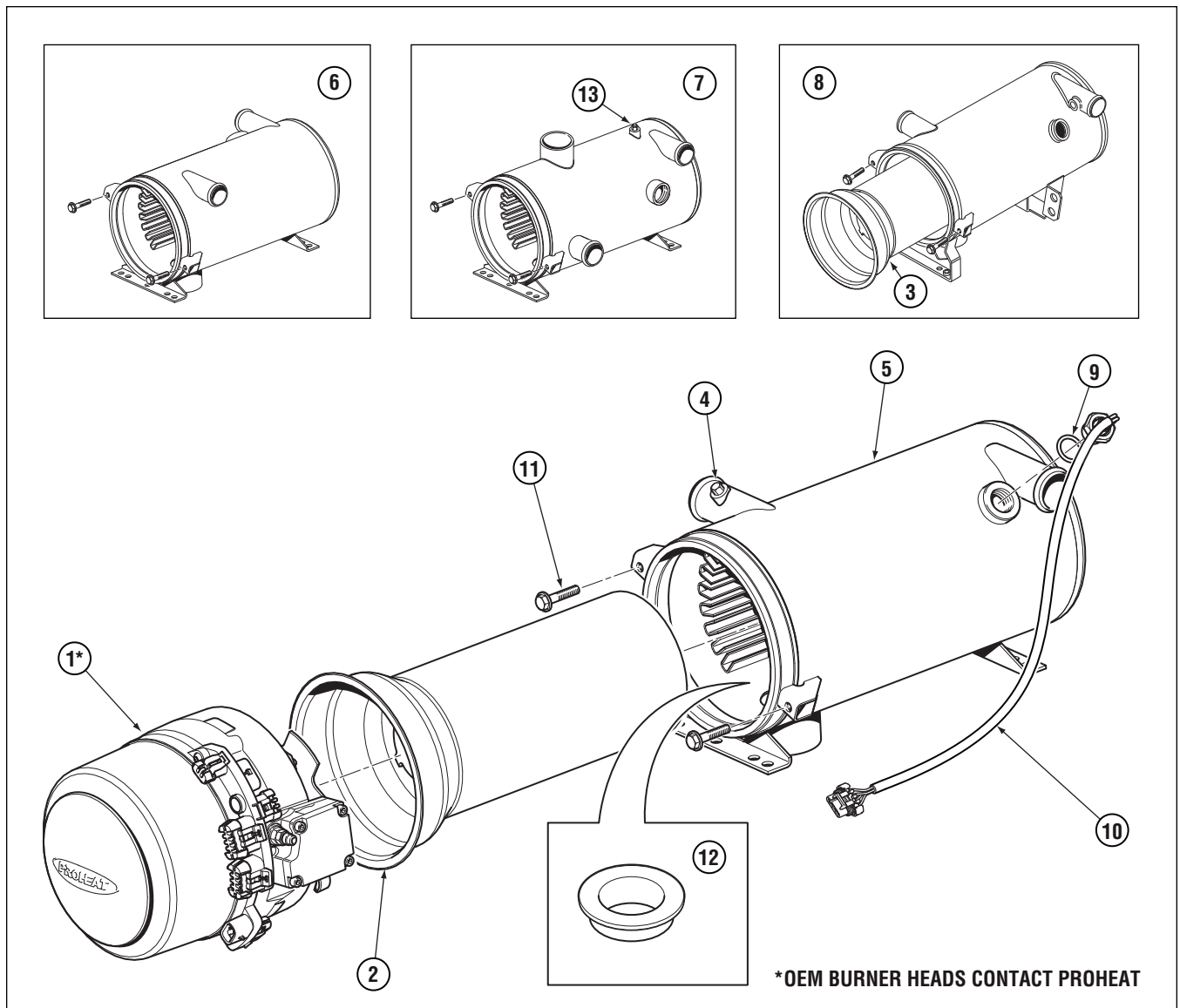
PK0306	Basic Installation Kit, 12 Volt
PK0304	Basic Installation Kit, 24 Volt

Kit Contains:

Power Wire Harness	200204K
Control Wire Harness	200410K
Coolant Pump Harness	944900K
Toggle Switch 12 Volt (PK0306)	920125K
Toggle Switch 24 Volt (PK0304)	842725K
Exhaust Pipe	980794K
Exhaust Clamp	900879K
Fitting, 1/4"	123542K
Fitting, 1/4"	925173K
Fuel, Hose 1/4" ID x 15 ft.	960146K
Fuel Pick-Up	980630K

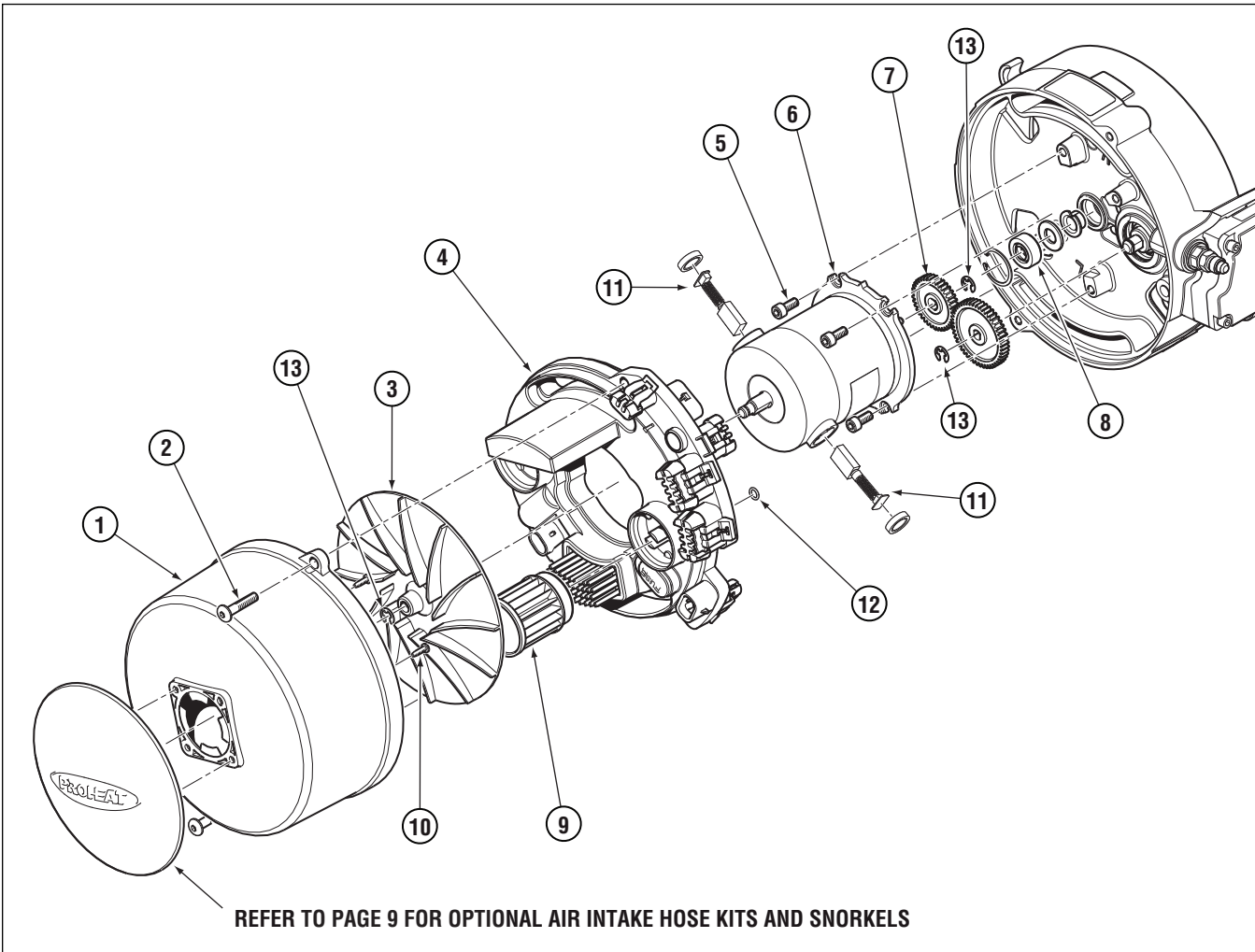
Options

PK0001-1	T-II Timer, 7 Day Digital
PK0365	Coolant Pump 5300 24 Volt
PK0316	Snorkel Kit Air Inlet Hose (ø 3" ID)
PK0317	Snorkel Kit Air Inlet Hose (ø 2.25" ID)
PK0056	Datalink Kit M-Series, G-I Only
PK0064	Datalink Kit M-Series G-II only
960150K	Adapter, Fuel Supply, Tight Access
950662K	Coolant Pump, HD, Brushless, Mag Drive Straight Ftg 12 Volt
950663K	Coolant Pump, HD, Brushless, Mag Drive Straight Ftg 24 Volt
950664K	Coolant Pump, HD, Brushless, Mag Drive Elbow Ftg 12 Volt
950663K	Coolant Pump, HD, Brushless, Mag Drive Elbow Ftg 24 Volt
150266K	Enclosure RH Stainless Steel
896572K	Snorkel Attachment (ø 3" OD)
135689K	Snorkel Attachment (ø 2.25" OD)
135695K	90 Degree Elbow Snorkel Attachment (ø 2.25" OD)



ITEM	PART#	DESCRIPTION
*1	509920K	Burner Head Assembly, M50, 24V, Splash Guard
	509909K	Burner Head Assembly, M80, 24V, Splash Guard
	509916K	Burner Head Assembly, M50, 12V, Splash Guard
	509912K	Burner Head Assembly, M80, 12V, Splash Guard
<p>Transit Bus and Motor Coach heaters have specific parts and software. The Basic burner heads listed are not intended to be used in Transit Bus and Motor Coach applications. Please contact Proheat or further information.</p> <p><i>Diaphragm Compressor model shown (s/n beginning from 700000 & R700000). This model and associated parts will be shown throughout the manual unless otherwise indicated.</i></p>		
2	200200K	Combustion Tube, M50/M80/105
3	209200K	Combustion Tube, Bravo to M-Series
4	900960K	Plug, Temp. Sensor Boss

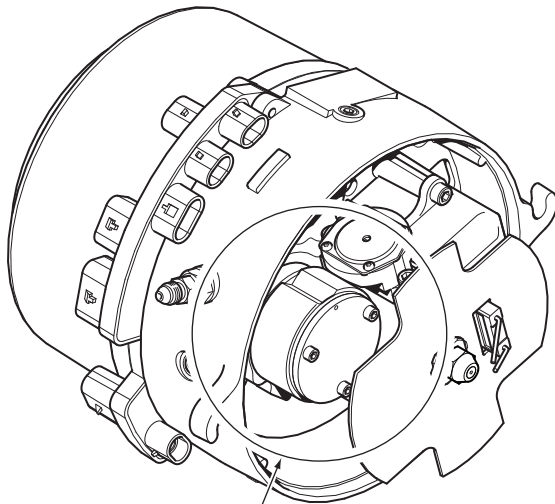
ITEM	PART#	DESCRIPTION
5	206195K	Heat Exchanger, M50
	940500K	Heat Exchanger, M80/M105
6	206194K	Heat Exchanger, M50, Left Hand
7	850400K	M80 Only, Heat Exchanger, Up Exhaust
8	940600K	Heat Exchanger, Bravo to M-Series
9		O-Ring, Overheat/Temperature Sensor Refer to page 7 and page 8.
10		Overheat/Temperature Sensor c/w O-Ring Refer to page 7 and page 8.
11	850778K	Screw M8 x 1.25 x 30 HWHCS (2/pkg.)
12	235687K	Restrictor Exhaust 1" (M50 only)
13	862128K	Bleed Valve, M80 Exhaust Up, Only



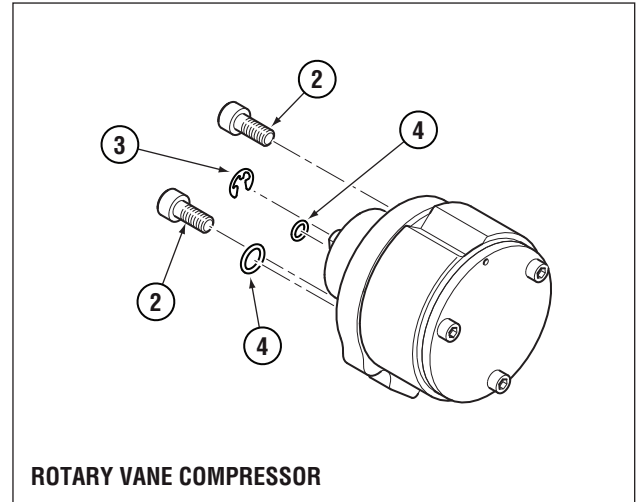
ITEM	PART#	DESCRIPTION
1	200406K	Blower Housing c/w Fasteners
2	200122K	Screw, M6x1x25mm, BHSCS SS (2/pkg.)
3	200405K	Blower, M-Series c/w Retaining Ring
4	N/A	Proheat Control Module (PCM) (see page 7 and page 8)
5	850233K	Screw, M6 x 1 x 16mm, SHCS SS (4/pkg.)
6	200404K 200508K	Motor, 24 Volt, c/w Fasteners Motor, 12 Volt, c/w Fasteners
7	200436K	Gear, Set c/w Retaining Rings, M50, M80, M105 (s/n beginning with 600000 ONLY or Rotary Vane Compressor ONLY) Please refer to Parts Catalog SL9167 for Diaphragm compressor replacement gear set parts information. www.proheat.com
8	200412K	Seal Kit c/w Bearing
9	200610K	Air Filter, M-Series

ITEM	PART#	DESCRIPTION
10	200224K	Screws, Air Inlet (4/pkg.)
11	950669K	Brush Kit (2/pkg.)
12	015824K	O-Ring, Air Intake, (s/n beginning with 600000 or Rotary Vane Compressor ONLY)
	220420K	O-Ring, Air Intake, (s/n beginning with 700000 & R700000 or Diaphragm Compressor ONLY)
13	920175K	Retaining Ring (3/pkg.)

**SERIAL NUMBERS BEGINNING WITH 500000
AND 600000**

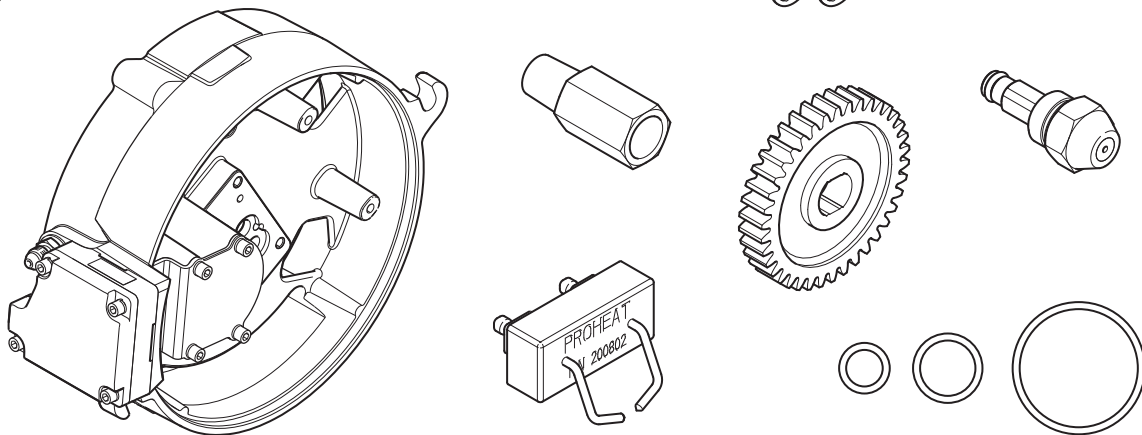


**ROTARY VANE COMPRESSOR MODEL (DISCONTINUED.
SEE ITEM 1 AS REPLACEMENT)**



ROTARY VANE COMPRESSOR

1



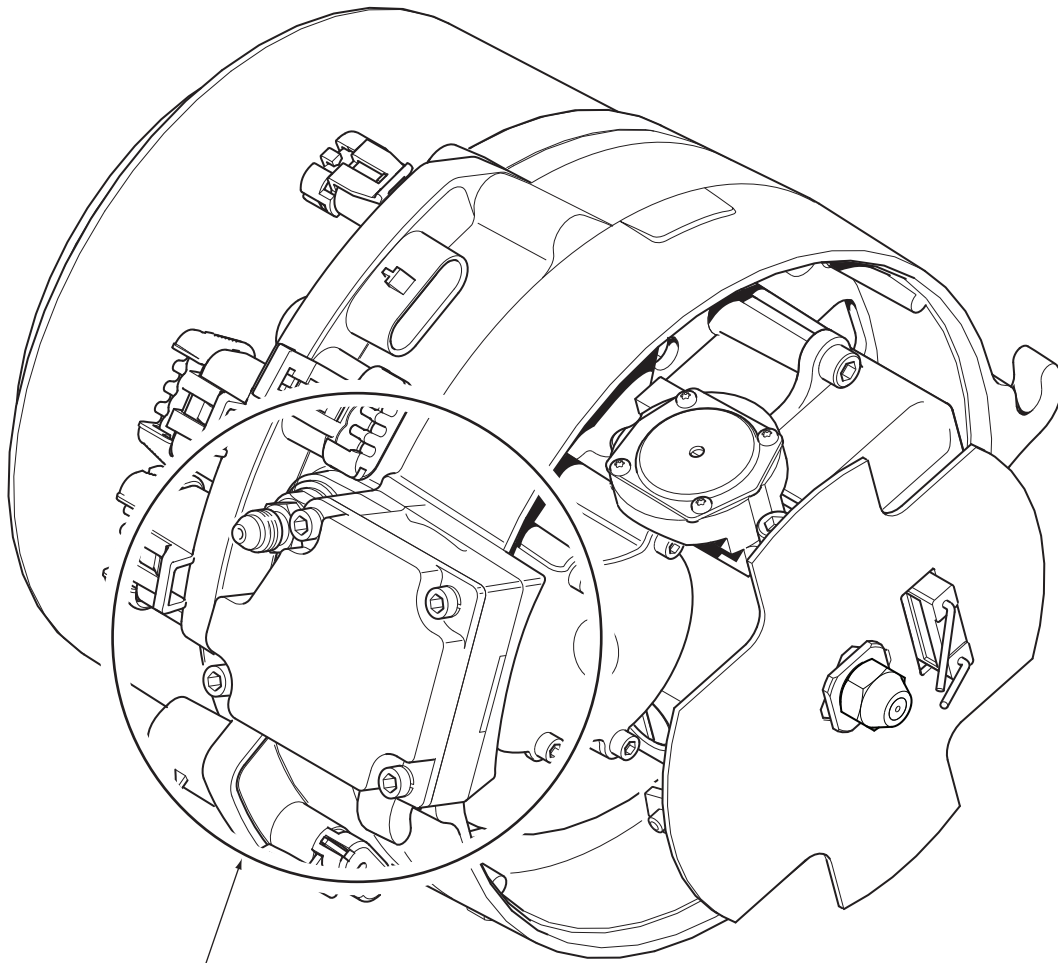
DIAPHRAGM COMPRESSOR & TUNE-UP KIT (REQUIRED WHEN UPDATING FROM VANE COMPRESSOR MODEL)

GILLIG BUSES REQUIRE TIGHT ACCESS FITTING KIT ITEM 15 ON PAGE 9

ITEM	PART#	DESCRIPTION
1	201085K	Upgrade Kit, Diaphragm Compressor Tune-Up, M80 (Parts included as shown)
	201055K	Upgrade Kit, Diaphragm Compressor Tune-Up, M50 (Parts included as shown)
	201155K	Upgrade Kit, Diaphragm Compressor Tune-Up, M105 (Parts included as shown)
2	850233K	Screw, M6 x 1 x 16mm, SHCS SS (4/pkg)

ITEM	PART#	DESCRIPTION
3	200448K	Retaining Ring (2/pkg)
4	550324K	O-Ring (4/pkg)
5	215800K	O-RING KIT COMPLETE (Not Shown) Contains all O-Rings used in the M-Series Diaphragm Compressor Burner Head

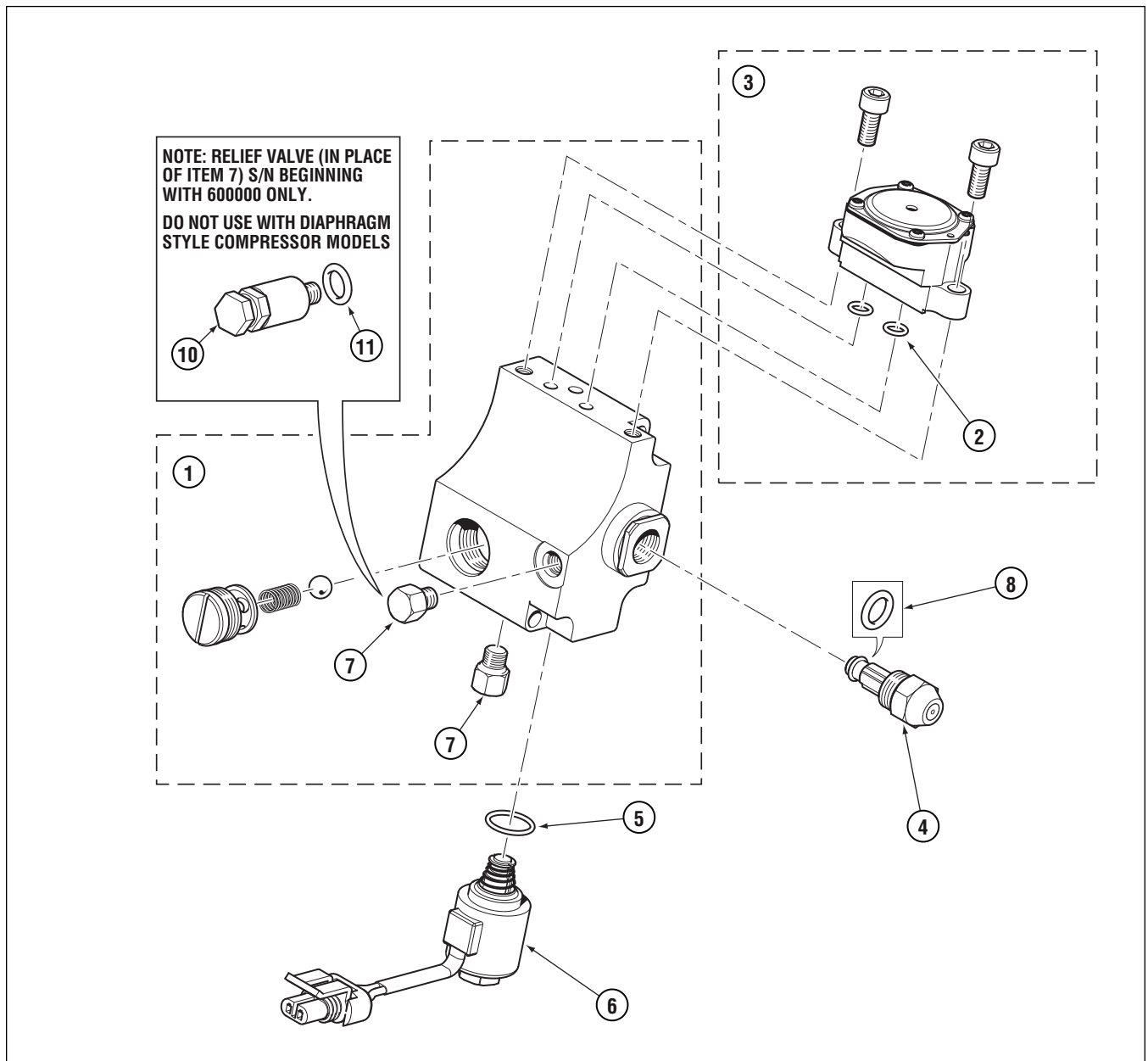
SERIAL NUMBERS BEGINNING WITH 700000 & R700000



DIAPHRAGM COMPRESSOR MODEL

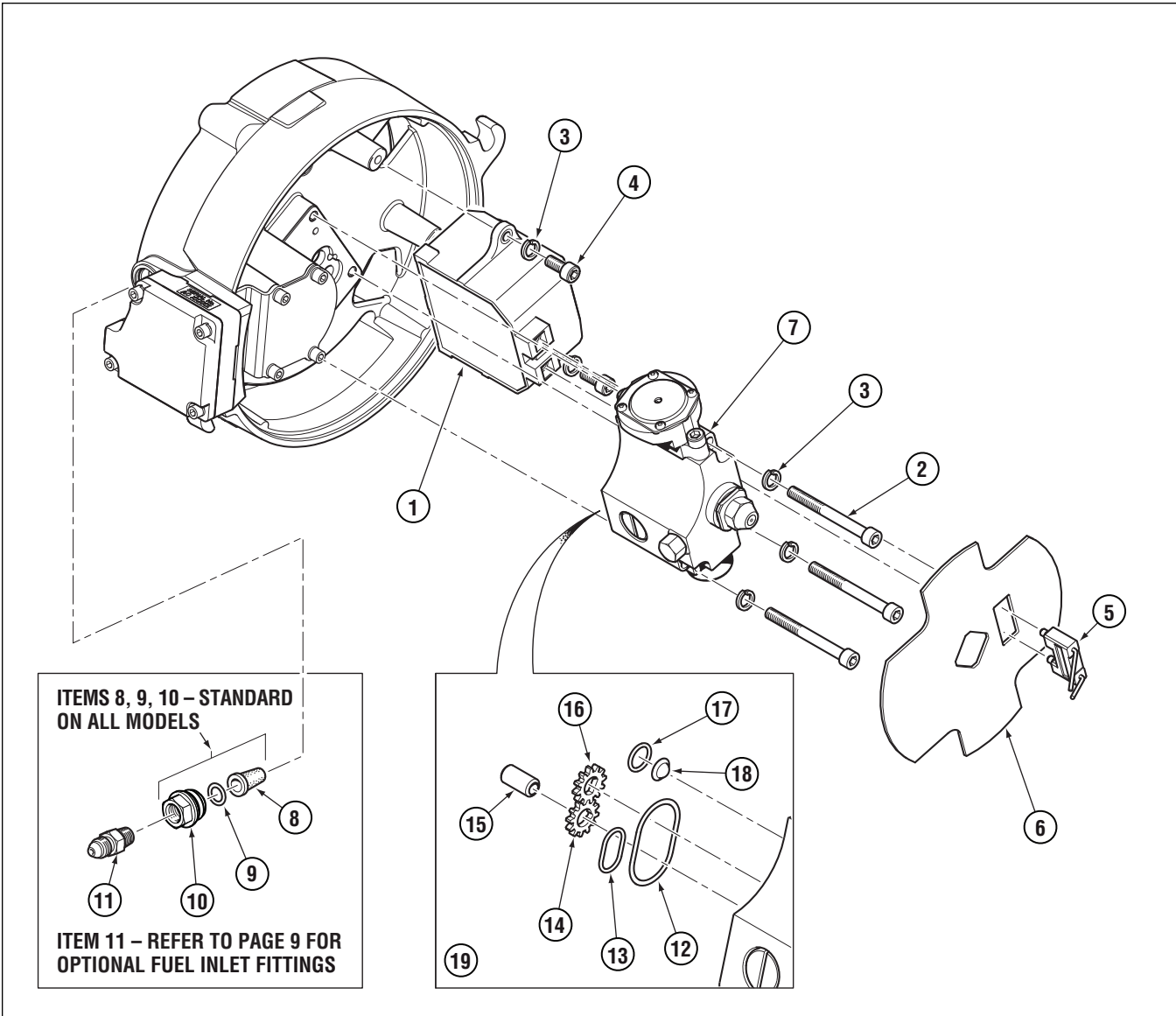
ITEM	PART#	DESCRIPTION
		Please refer to Parts Catalog SL9167 for Diaphragm Compressor replacement parts information. www.proheat.com

ITEM	PART#	DESCRIPTION

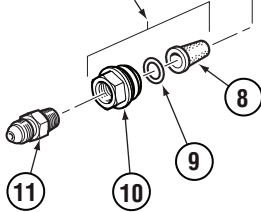


ITEM	PART#	DESCRIPTION
1	200700K	Fuel Delivery Block, M-Series c/w Fittings, & Fasteners
2	550324K	O-Ring (4/pkg.)
3	200703K	Regulator, M-Series c/w O-Ring & Fasteners
4	200589K	Nozzle, 30609-50 (M50 only) Inc. O-Ring
	854421K	Nozzle, 30609-9 (M80 only) Inc. O-Ring
	200592K	Nozzle, 30609-51 (M105 only) Inc. O-Ring
5	014427K	O-Ring (10/pkg.)
6	200702K	Solenoid, Fuel Shut Off c/w O-Ring
7	829325K	Plug, 5/16-24 ORB HX c/w O-Ring
8	221442K	O-Ring, Nozzle Only

ITEM	PART#	DESCRIPTION
9	215800K	O-RING KIT COMPLETE (Not Shown) Contains all O-Rings used in the M-Series Diaphragm Compressor Burner Head
ONLY USE WITH s/n beginning with 600000 (Rotary Vane Compressor ONLY)		
10	215677K	Relief Valve, Air M50 c/w O-Ring
	215688K	Relief Valve, Air M80 c/w O-Ring
	215699K	Relief Valve, Air M105 c/w O-Ring
11	002222K	O-Ring, Relief Valve, Air (10/pkg.)
NOTICE:		DO NOT use Air Relief Valve with Diaphragm style Compressor models.



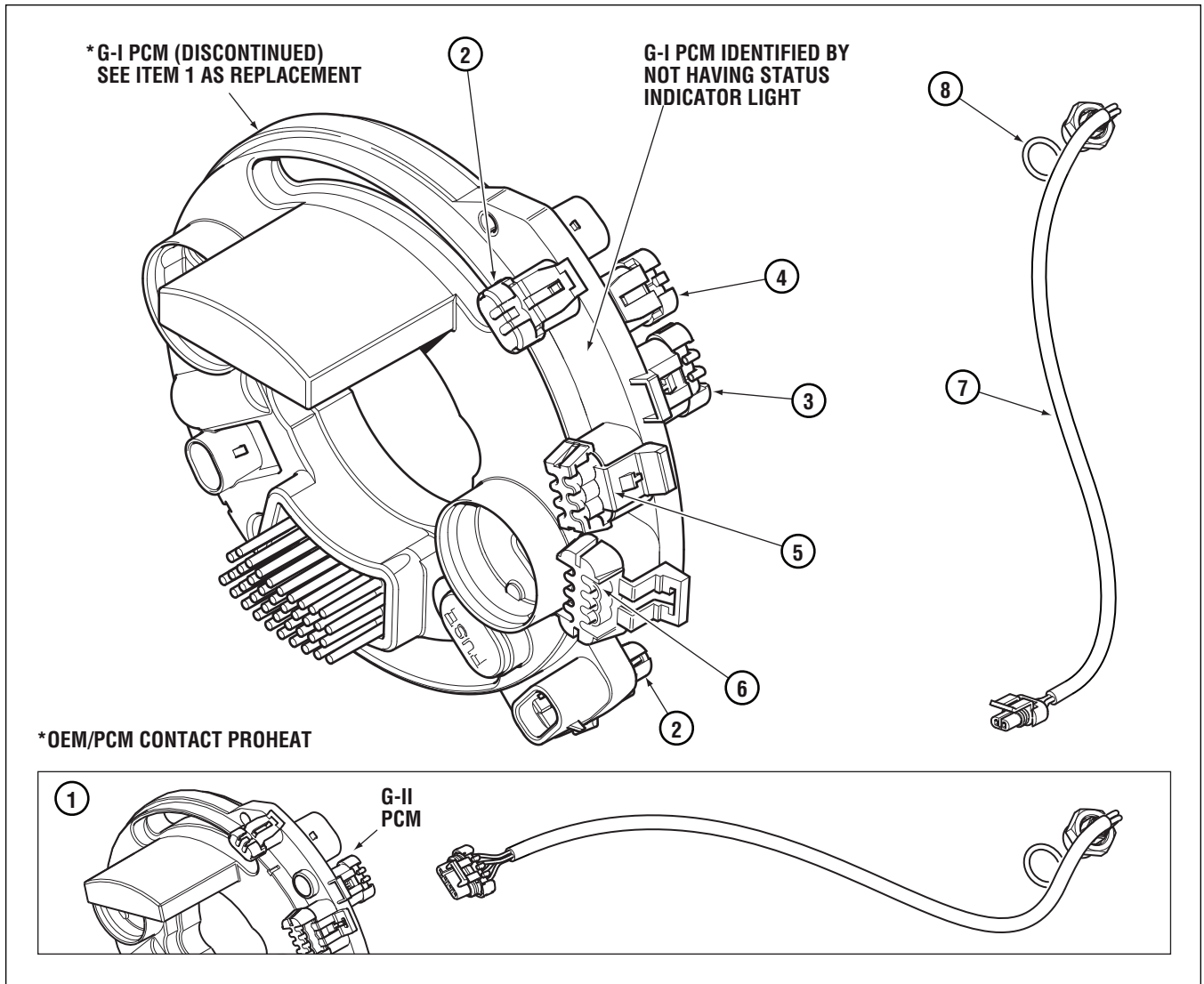
ITEMS 8, 9, 10 – STANDARD ON ALL MODELS



ITEM 11 – REFER TO PAGE 9 FOR OPTIONAL FUEL INLET FITTINGS

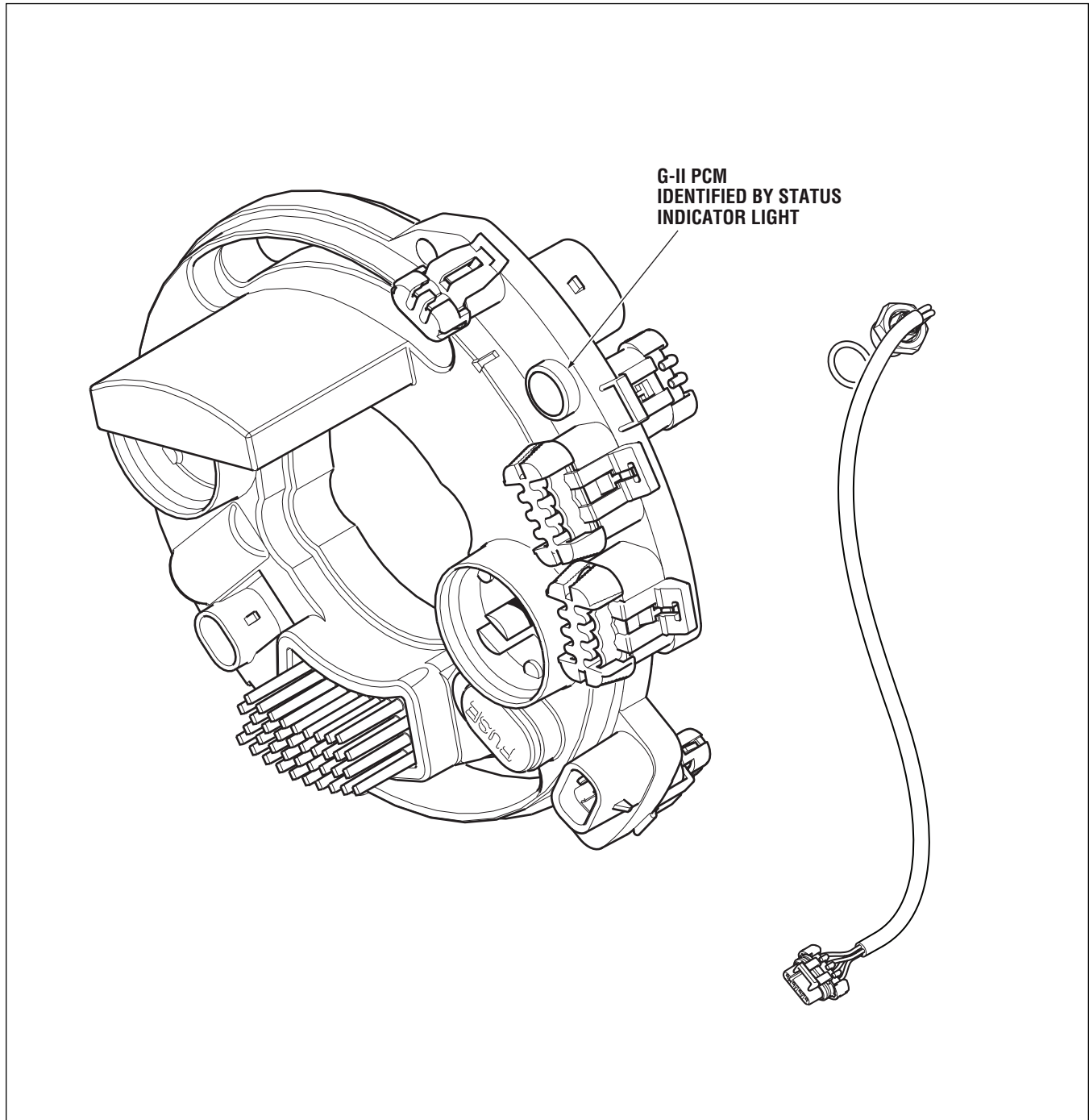
ITEM	PART#	DESCRIPTION
1	200631K	Ignition Module c/w Fasteners & Electrodes
2	850123K	Screw, M6 x 1 x 60mm, SHCS SS (4/pkg.)
3	020625K	#10 Lock Washer (10/pkg.)
4	850233K	Screw, M6 x 1 x 16mm, SHCS SS (4/pkg.)
5	200802K	Ignition Electrodes
6	200705K	Flame Shield
7	N/A	Fuel Delivery Block (see page 5)
8	880035K	Fuel Filter
9	014925K	O-Ring, Fuel Filter
10	200479K	Fuel Inlet Fitting, c/w O-Ring, (s/n beginning with 700000 & R700000 or Diaphragm Compressor ONLY)
	880015K	Fuel Inlet Fitting, c/w O-Ring, (s/n beginning with 600000 or Rotary Vane Compressor ONLY)

ITEM	PART#	DESCRIPTION
11	859165K	Fitting, -4 JIC-M x 1/8NPT-M STL
12	202025K	O-Ring, Gear Pump
13	014427K	O-Ring, Air Intake
14	852525K	Gear, Pinion, Fuel Pump
15	200630K	Idler Shaft, Fuel Pump
16	200525K	Gear, Drive, Fuel Pump
17	003121K	O-Ring, Fuel Intake / Air Intake
18	418920K	Screen, Inlet c/w O-Ring
19	200701K	FUEL PUMP SERVICE KIT Contains Items 12 thru 18
20	215800K	O-RING KIT COMPLETE (Not Shown) Contains all O-Rings used in the M-Series Diaphragm Compressor Burner Head



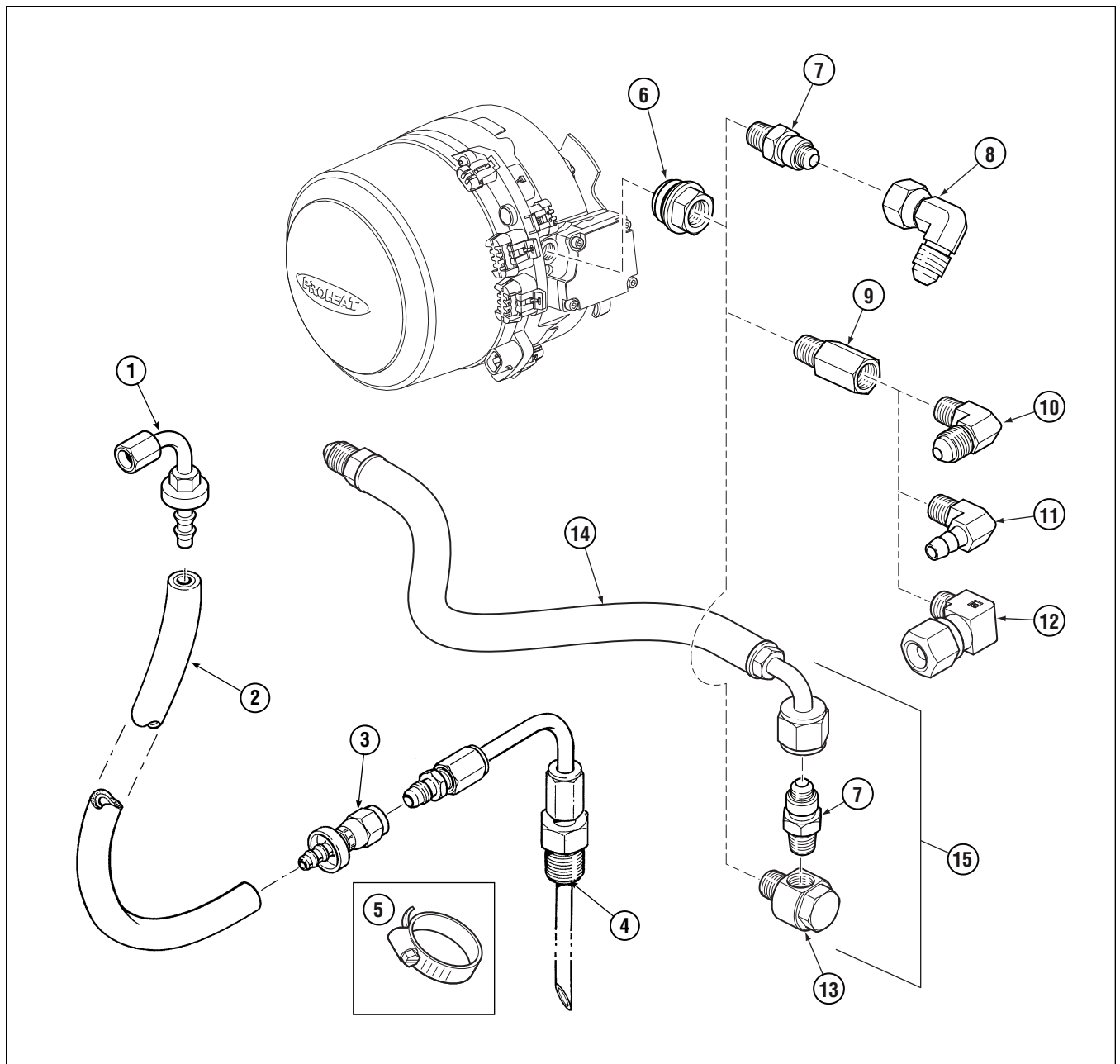
ITEM	PART#	DESCRIPTION
*1	200987K	Upgrade Kit, PCM G-II, M-Series, M50/M80-12V CANbus. Standard Aux. output. Replaces 200910K & 200920K
	200988K	Upgrade Kit, PCM G-II, M-Series, M50/80-24V CANbus. Standard Aux. output. Replaces 200910K & 200920K
<p>Transit Bus & Motor Coach heaters have specific software. The Basic PCM's listed above are not intended to be used in Transit Bus & Motor Coach applications.</p> <p><i>Transit Bus & Motor Coach OEM Specific PCM Part No.s are listed below.</i></p>		
	200990K	Upgrade Kit, PCM G-II, M-Series, M50/M80-24V CANbus. Aux. output set to Preheat. Preheat cycle ON/OFF temp modified. New Flyer specific. Replaces 200924K
	200992K	Upgrade Kit PCM G-II, M-Series, M50/M80-24V. Aux. Output set to flame setting Van Hool specific.
	200991K	Upgrade Kit, PCM G-II, M-Series, M105-24V CANbus, Standard Aux. output. Replaces 200930K
<p>Note: Dual Mode Temperature Sensor is inc. with above.</p>		

ITEM	PART#	DESCRIPTION
2	200561K	Plug, PCM, G-I, Aux/CP and G-II, CP
3	200581K	Plug, PCM G-I and G-II CANbus
4	200550K	Plug, PCM, G-I Temp and G-II, Aux
5	200570K	Plug, PCM, G-I, Datalink
6	200564K	Plug, PCM, G-I and G-II Control
	200585K	Plugs, PCM, G-I & G-II Complete Plug Kit 200550K x 1, 200561K x 2, 200563K x 1, 200570K x 1, 200581K x 1 1 x Dielectric Grease, 8 gram packet
7	200302K	Overheat/Temperature Sensor c/w O-Ring Item 8. (For use with G-I PCM ONLY)
8	917724K	O-Ring, Temperature Sensor



ITEM	PART#	DESCRIPTION
		Please refer to Parts Catalog SL9167 for G-II PCM replacement parts information. www.proheat.com

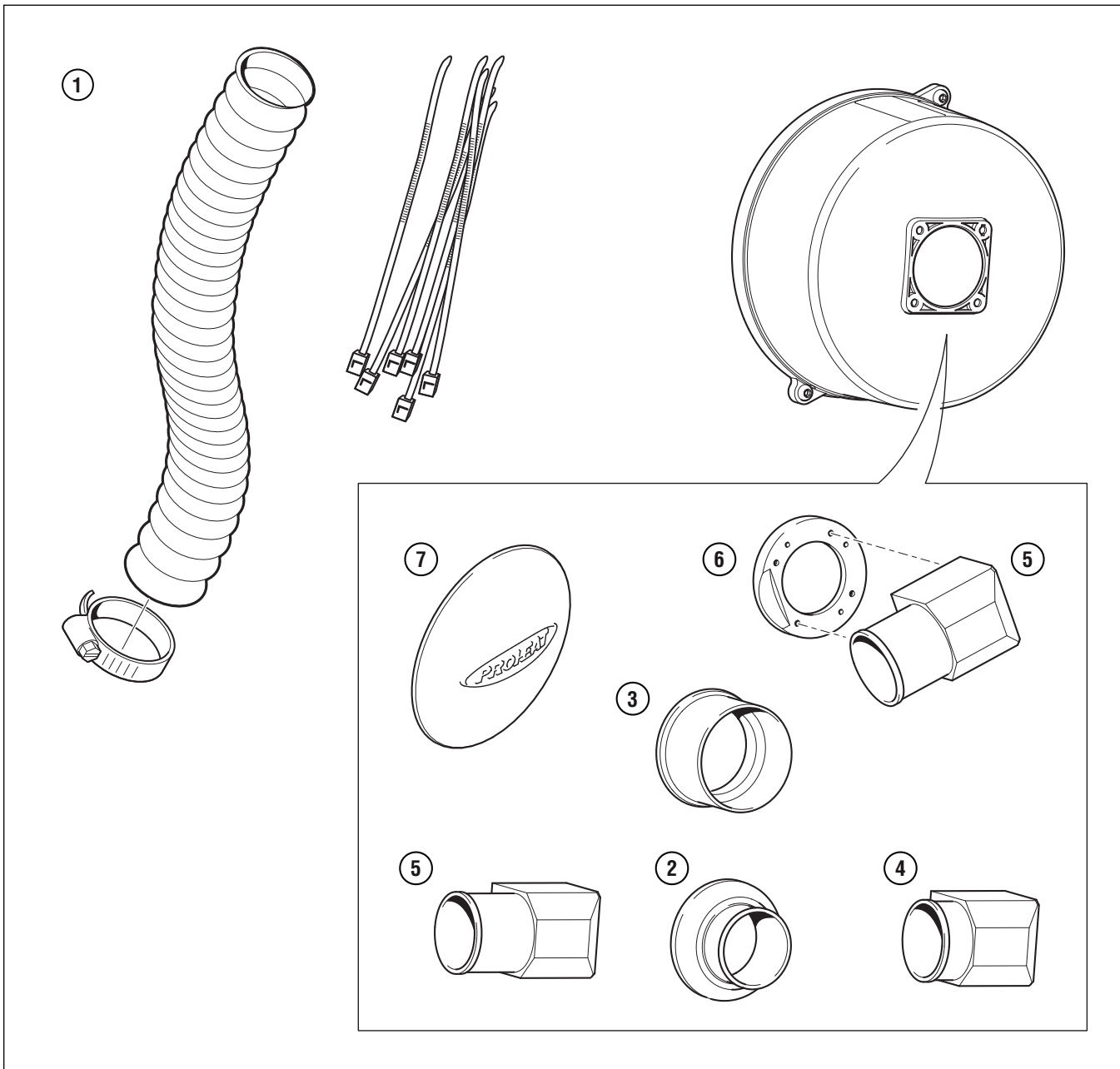
ITEM	PART#	DESCRIPTION



ITEM	PART#	DESCRIPTION
1	123542K	Fitting, 1/4" JIC M 90° x 1/4" Pushlok
2	960146K	Fuel, Hose 1/4" ID Pushlok 15 ft.
3	925173K	Fitting, 1/4" Hose, -4 JIC M Pushlok
4	980630K	Fuel Pick-Up, 28" (#4 JIC M x 3/8 NPTM)
5	880072K	1/4" Hose Clamp as required
6	200479K	Fuel Inlet Fitting, c/w O-Ring, (s/n beginning with 700000 & R700000 or Diaphragm Compressor ONLY)
	880015K	Fuel Inlet Fitting, c/w O-Ring, (s/n beginning with 600000 or Rotary Vane Compressor ONLY)
7	859165K	Fitting, -4 JIC-M x 1/8NPT-M STL
8	854123K	1/4" JIC Male - 1/4" JIC Swivel Elbow

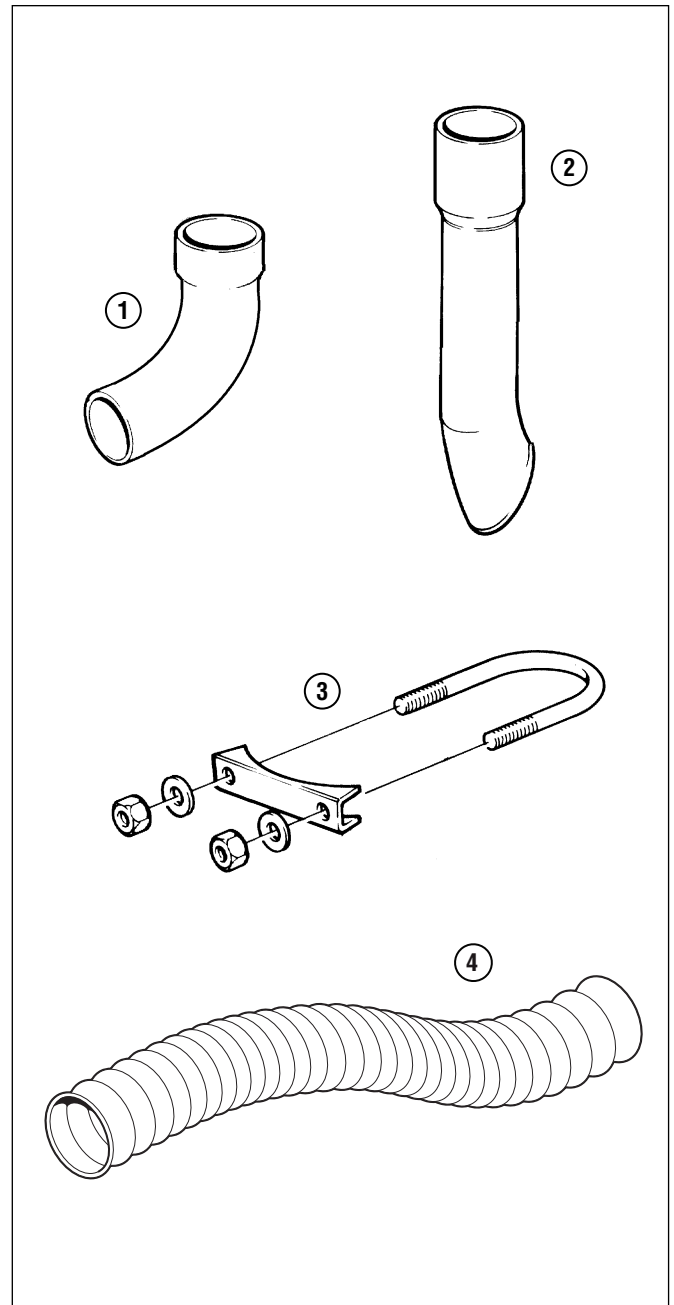
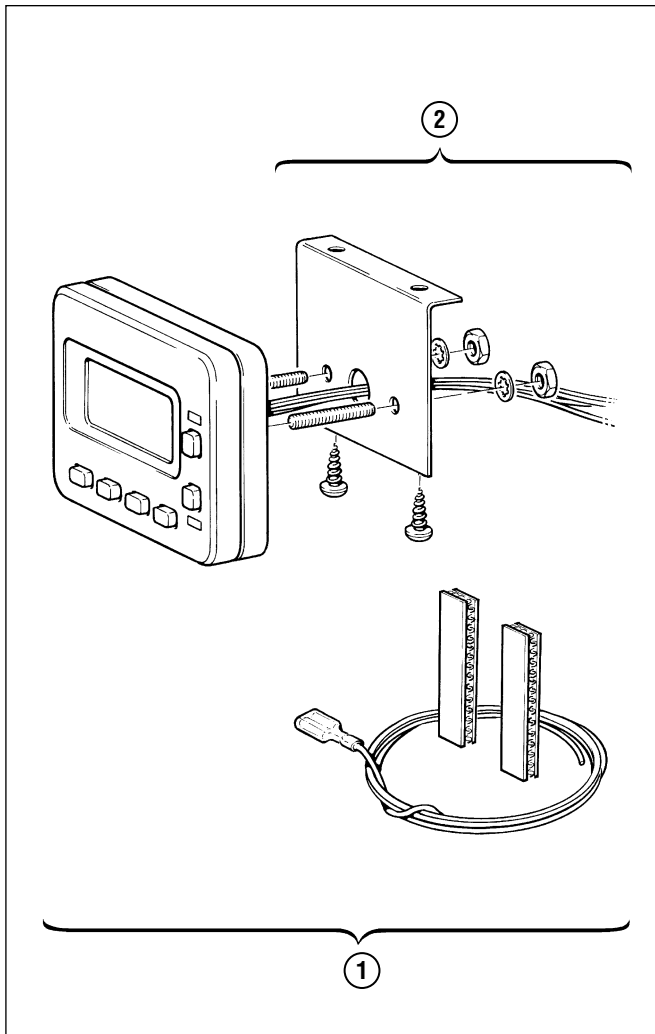
ITEM	PART#	DESCRIPTION
9	419621K	Adapter, 1/8" NPT Male - 1/8" Female
10	850217K	Fitting, -4 JIC Male - 1/8" Male NPT
11	912025K	Fitting, -4 Hose - 1/8" NPT Male Elbow
12	286000K	Fitting, 3/8 Tube - 1/8" NPT Male Elbow
13	200496K	Fitting, Elbow Adapter, Tight Access
14	200497K	Hose, Fuel 1/4" x 1/4" ID, c/w Fittings
15	960150K	Adapter Kit, Fuel Supply, Tight Access Includes: items 7, 13 & 14

OPTIONS
AIR INLET HOSE



ITEM	PART#	DESCRIPTION
1	PK0316	Air Inlet Hose Kit, 3" ID x 5 feet, c/w gear clamp and 6 tie straps
	PK0317	Air Inlet Hose Kit, 2.25" ID x 5 feet, c/w gear clamp and 6 tie straps
2	135689K	Snorkel Attachment, 2.25" OD c/w Fasteners
3	896572K	Snorkel Attachment, 3" OD c/w Fasteners
4	135695K	Elbow Air Intake, Short, 2.25" OD c/w Fasteners
5	135697K	Elbow Air Intake, Standard, 2.25" OD c/w Fasteners

ITEM	PART#	DESCRIPTION
6	135690K	27° Adapter Plate c/w Fasteners (Optional, use with 135697K)
7	200409K	Splash Guard c/w Fasteners

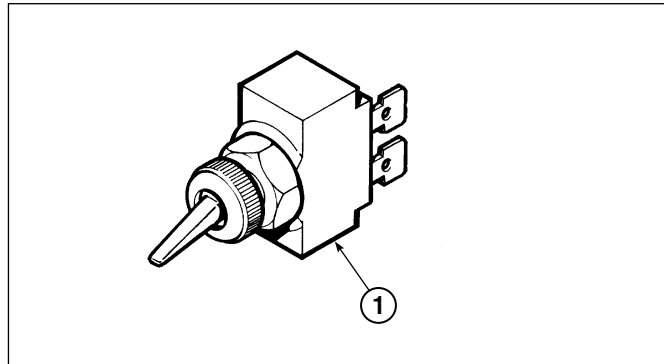


ITEM	PART#	QTY	DESCRIPTION
1	PK0001-1	1	T-II Timer, 7-day Digital c/w Installation Kit
2	961125K	1	INSTALLATION KIT, Timer Kit Contains:
		2	Washer #8
		2	Nut, Hex #8-32
		1	Bracket, Mounting
		2	Screw, #8 x 1/2" Self Tapping
		2	Stud #8-32 x 1" SKT. HD.
		4	Velcro, Dualock
		1	Wire, Backlight c/w Connector

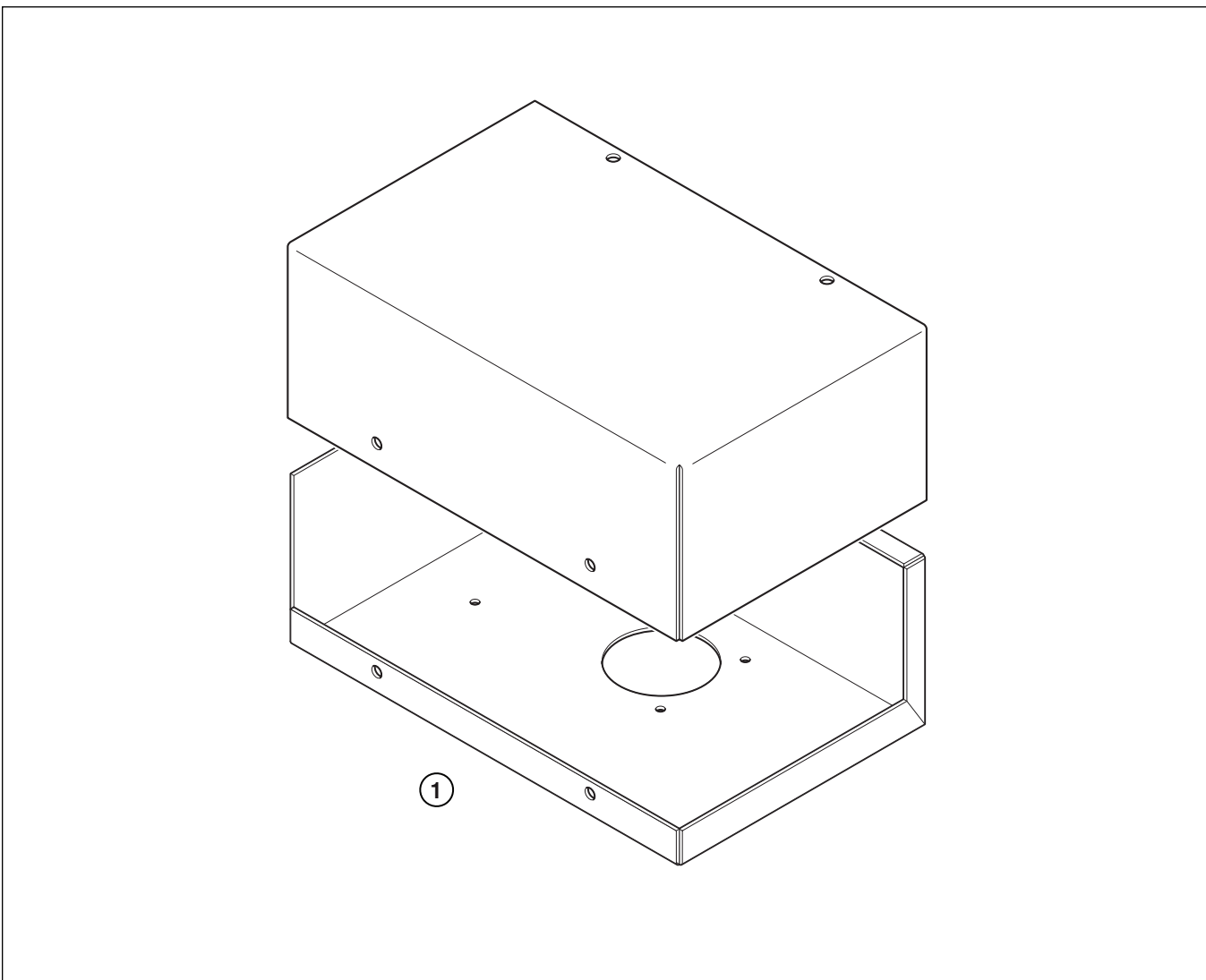
ITEM	PART#	DESCRIPTION
1	900542K	Exhaust, Elbow, 2.75" OD to 2.75" ID
2	980794K	Exhaust, Pipe, 2.75" ID x 10" c/w Clamp
3	900879K	Clamp, Exhaust, 3.0" ID
4	900528K	Exhaust, Flexible, 2.75" ID x 12"

**OPTIONS
SWITCH**

ITEM	PART#	QTY	DESCRIPTION
1	842725K	1	ON/OFF Switch, 24 Volt
	920125K	1	ON/OFF Switch, 12 Volt

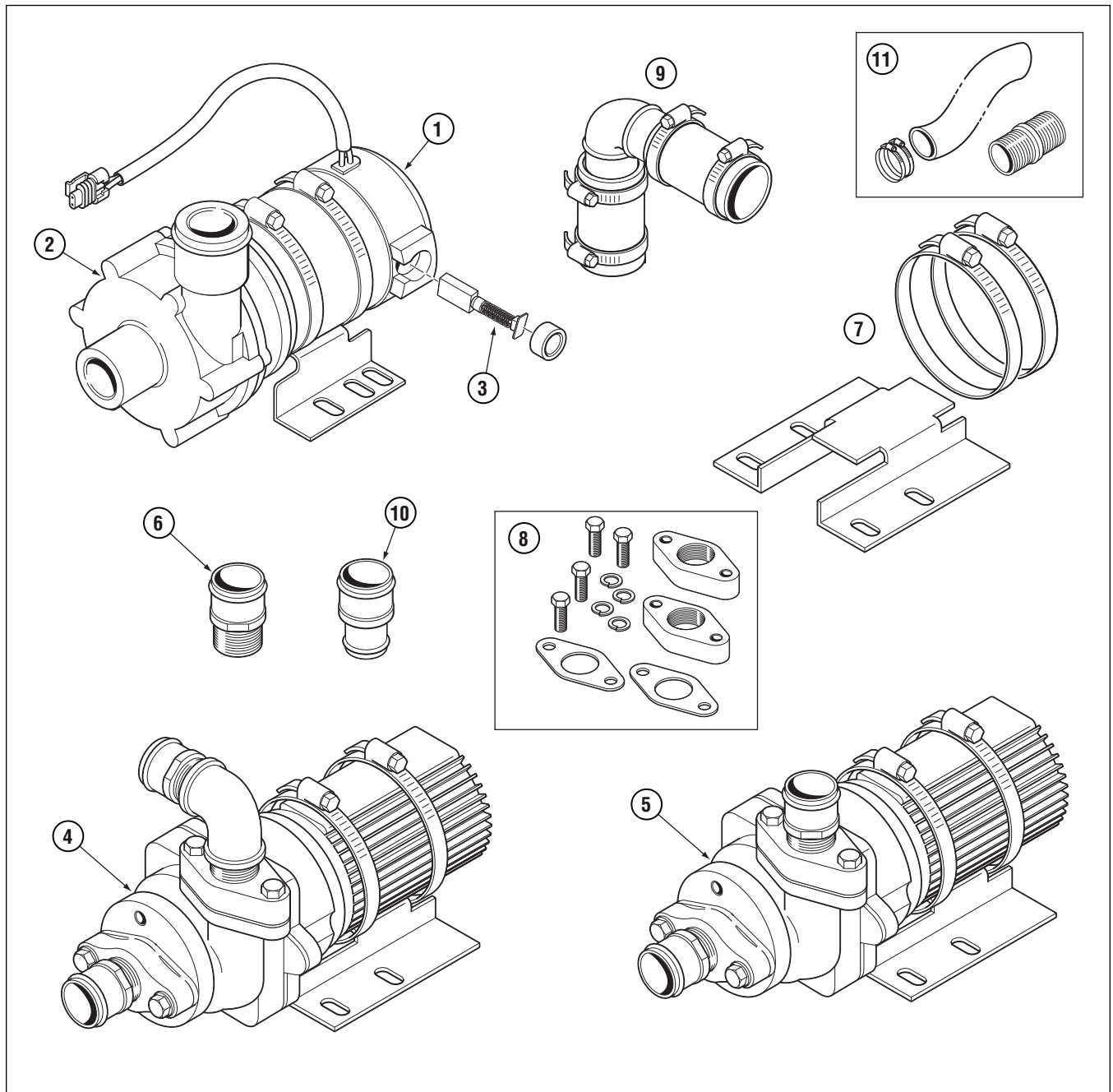


**OPTIONS
ENCLOSURE**



ITEM	PART#	DESCRIPTION
1	150266K	SS Enclosure, M-Series/CP RH <i>(Requires Tight Access Fuel Fitting Kit Item 15 on page 9)</i>

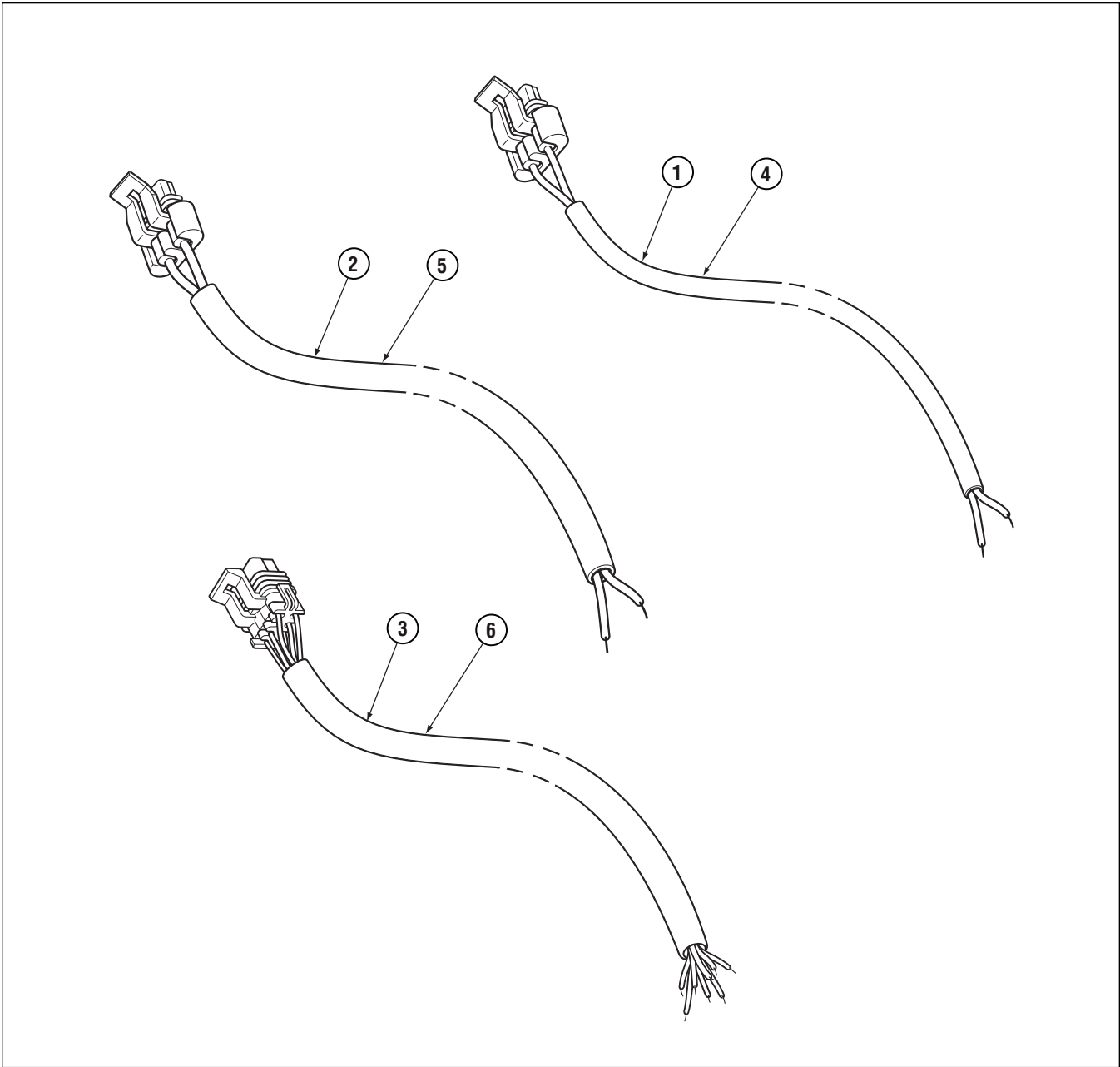
ITEM	PART#	DESCRIPTION



ITEM	PART#	DESCRIPTION
1	PK0365	Pump, Coolant CP 5300/24V
2	950673K	Seal Kit CP 5300 Pump
3	950674K	Brush Kit CP 5300 Pump (2/pkg)
4	950664K	Coolant Pump, HD, Brushless, Mag Drive Elbow Fitting 12 Volt
	950663K	Coolant Pump, HD, Brushless, Mag Drive Elbow Fitting 24 Volt
5	950662K	Coolant Pump, HD, Brushless, Mag Drive Straight Fitting 12 Volt
	950666K	Coolant Pump, HD, Brushless, Mag Drive Straight Fitting 24 Volt

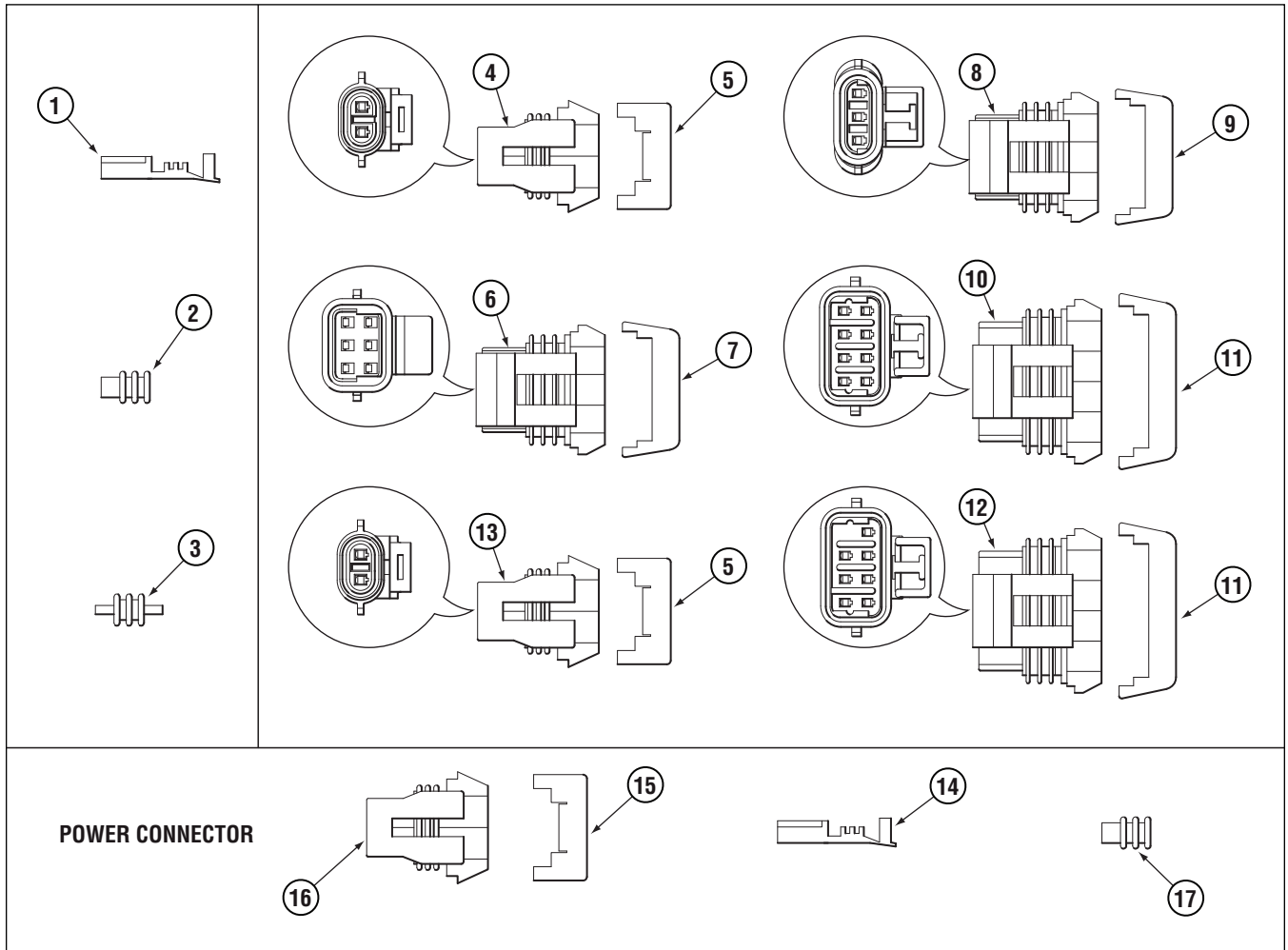
ITEM	PART#	DESCRIPTION
6	769234K	Straight Fitting, NPTM x 1-1/2" Hose
7	933838K	Bracket, Heavy Duty Pump
8	940128K	Flange Kit, Heavy Duty Pump
9	933628K	Coolant Elbow Kit
10	769235K	Fitting Kit, 1-1/2" to 1" c/w clamps (Not Shown)
11	PK0364	1-1/2" Hose Coupling Kit

**OPTIONS
HARNESS ATTACHMENTS**



ITEM	PART#	DESCRIPTION
1	944557K	Harness Adapter, Coolant Pump, 1ft.
2	944555K	Harness Adapter, Power, 1 ft.
3	944556K	Harness Adapter, Switch, 1ft.
4	944900K	Coolant Pump Harness 25 ft.
5	200204K	Power Harness 16 ft.
6	200410K	Switch Harness 25 ft.

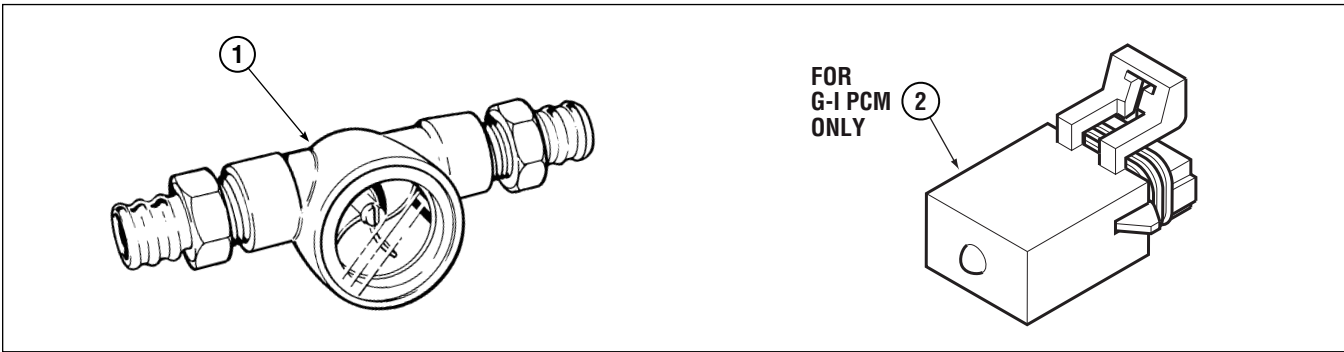
ITEM	PART#	DESCRIPTION



ITEM	PART#	DESCRIPTION
1	768621K	Terminal MP150 F Pack (25/pkg.)
2	768724K	Wire Seal MP150 DK Red (25/pkg.)
3	768828K	Plug Seal, (25/pkg.)
4	768021K	Connector MP150 F 2 Way (10/pkg.) <i>Used on G-I Aux and Coolant Pump</i> <i>Used on G-II Coolant Pump</i>
5	917828K	Lock MP150 2 Way (10/pkg.)
6	768320K	Connector MP150 F 6 Way (10/pkg.) <i>Used on G-I Datalink</i>
7	950826K	Lock MP150 6 Way (10/pkg.)
8	872010K	Connector MP150 F 3 Way (10/pkg.) <i>Used on G-I & G-II Canbus</i>
9	872015K	Lock MP150 3 Way (10/pkg.)
10	780322K	Connector MP150 F 8 Way (10/pkg.) <i>Used on G-I & G-II Control</i>
11	980013K	Lock MP150 8 Way (10/pkg.)
12	768600K	Connector MP150 Type 120 7 Way (10/pkg.) <i>Used on G-II Datalink</i>
13	768027K	Connector MP150F Light Grey 2 Way (10/pkg.) <i>Used on G-II Aux</i>
14	872025K	Terminal MP280 F (25/pkg.)
15	917824K	Lock, MP280 2 Way (10/pkg.)
16	917826K	Connector MP280 F 2 Way (10/pkg.)
17	998885K	Wire Seal MP280 DK Red (25/pkg.)

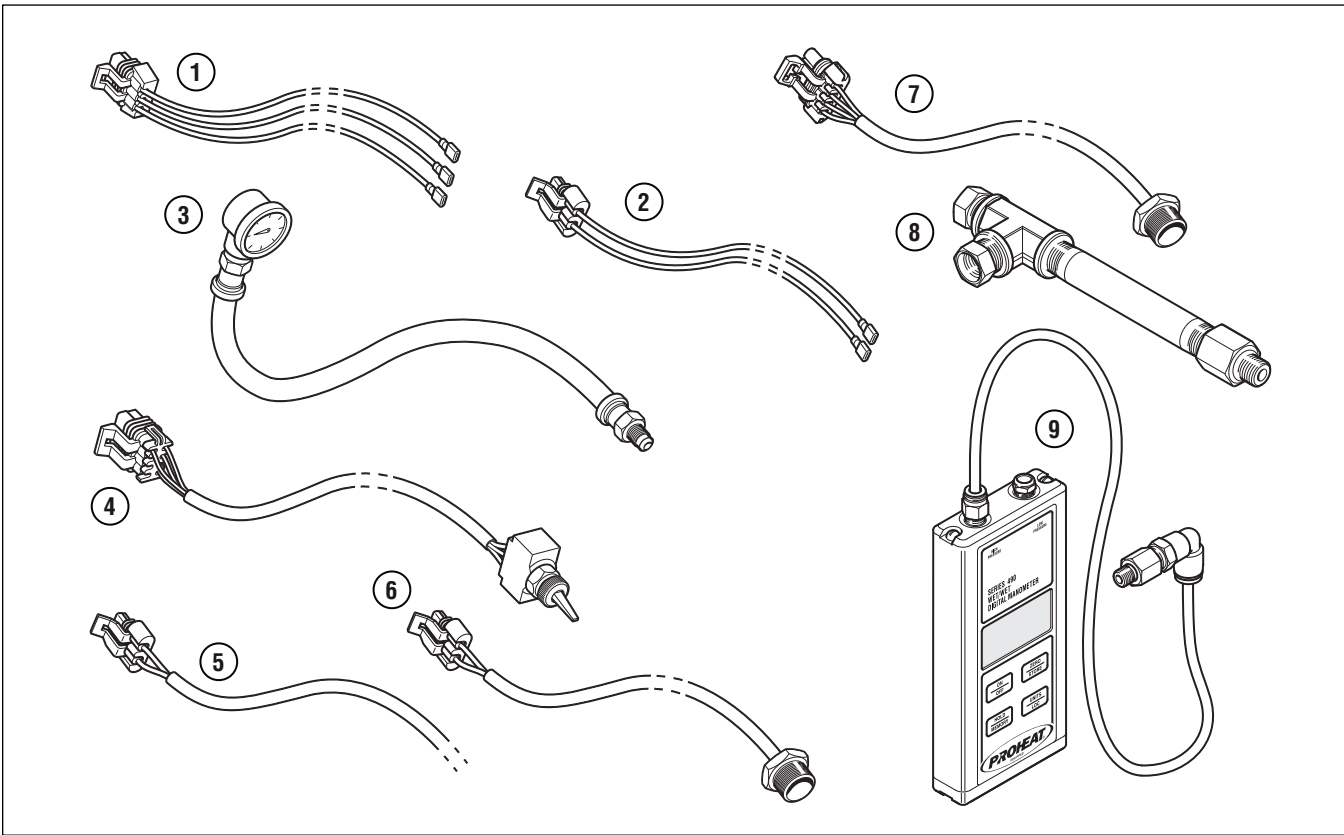
ITEM	PART#	DESCRIPTION
18	051700K	Dielectric Grease (10/pkg.) <i>(Not Shown)</i>
	200530K	Connection Kit, G-I, Aux/CP & G-II, CP, c/w – 1 x item 4, 1 x item 5, 3 x item 1, 2 x item 2 and 1 x item 18 WIRE NOT INCLUDED
	200531K	Connection Kit, PCM, G-I & G-II Power, c/w – 1 x item 16, 1 x item 15, 3 x item 14, 2 x item 17. WIRE NOT INCLUDED
	200532K	Connection Kit, PCM, G-I & G-II Control, c/w – 1 x item 10, 1 x item 11, 4 x item 1, 3 x item 2, 5 x item 3 and 1 x item 16 WIRE NOT INCLUDED
	200533K	Connection Kit, PCM, G-I & G-II CANbus, c/w – 1 x item 8, 1 x item 9, 3 x item 1, 2 x item 2, 1 x item 3 and 1 x item 18 WIRE NOT INCLUDED
	200534K	Connection Kit, PCM, G-I Datalink, c/w – 1 x item 6, 1 x item 7, 4 x item 1, 3 x item 2, 3 x item 3 and 1 x item 18 WIRE NOT INCLUDED
	200535K	Connection Kit, PCM, G-II Datalink c/w – 1 x item 12, 1 x item 11, 3 x item 3, 4 x item 2
	200536K	Connection Kit, PCM G-II Aux/ c/w – 1 x item 13, 1 x item 5, 2 x item 3

TEST EQUIPMENT & SPECIAL TOOLS
FLOW INDICATOR/TEST GAUGE/LEADS & ADAPTERS



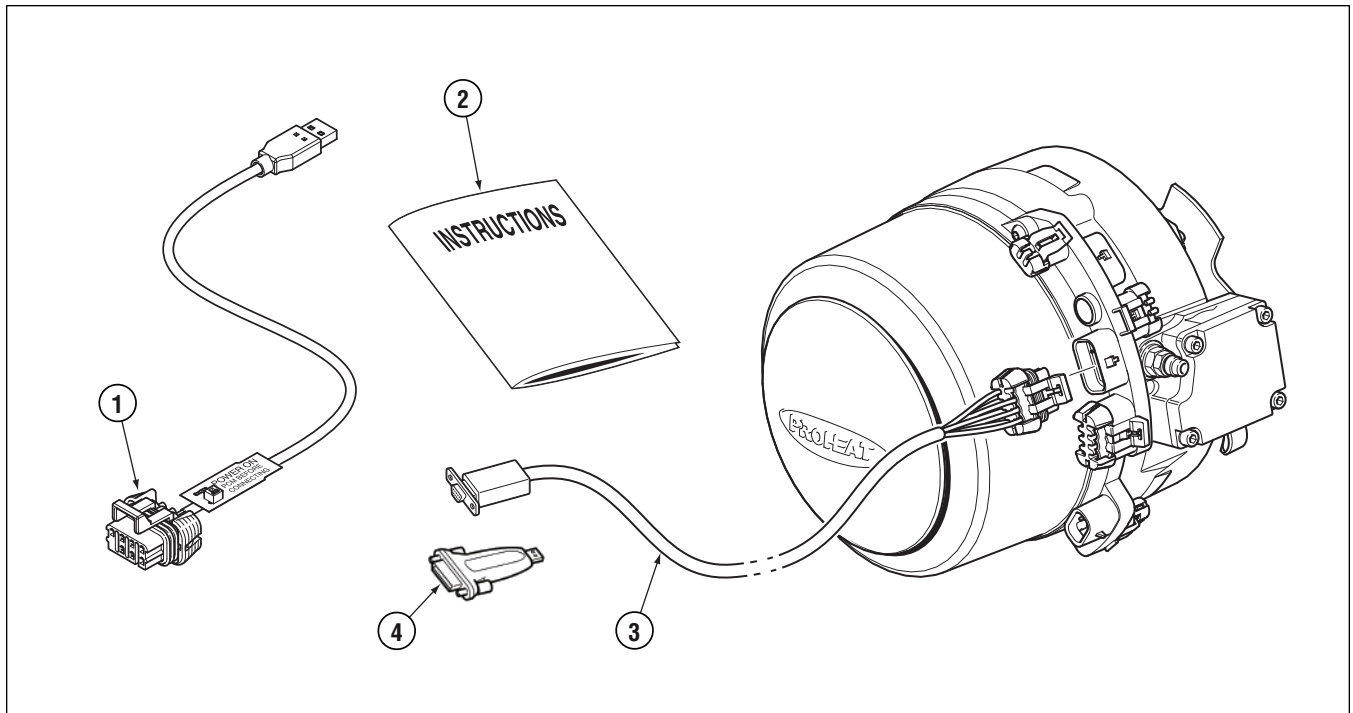
ITEM	PART#	DESCRIPTION
1	TK9002	Flow Indicator Allows the user to determine: <ul style="list-style-type: none"> • direction of flow • speed of flow • air (if any in the coolant system)

ITEM	PART#	DESCRIPTION
2	969741K	Diagnostic Light, 6 Pin 12 Volt
	969742K	Diagnostic Light, 6 Pin 24 Volt



ITEM	PART#	DESCRIPTION
1	967636K	Test Lead, 3 Way
2	967635K	Test Lead, 2 Way
3	PK0067	Test Gauge, Fuel Pressure
4	PK0091	Remote On/Off Switch, M-Series
5	200204K	Harness, Power, M-Series, 16 ft.
6	200302K	Overheat/Temperature Sensor c/w O-Ring. G-I PCM ONLY
7	200304K	Overheat/Temperature Sensor c/w O-Ring. G-II PCM ONLY

ITEM	PART#	DESCRIPTION
	PK0092	Service Kit c/w items 1 to 7
8	PK0071	Test Gauge Adapter, Air Pressure (s/n Beginning with 600000 or Rotary Vane Compressor ONLY)
9	PK0036	Test Gauge, Air Pressure, Digital Manometer

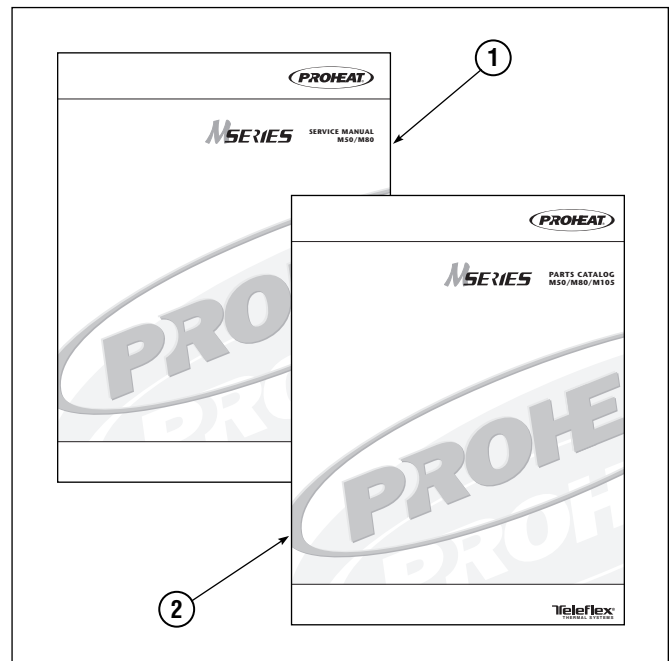


ITEM	PART#	DESCRIPTION
1	PK0064	Proheat Datalink USB Cable Kit, G-II PCM Only
	PK0056	PROHEAT Datalink Kit, M-Series Kit, G-I PCM Only, Includes:
2		Instructions
3		Serial Cable, M-Series, G-I PCM Only
4		USB to Serial Adaptor, G-I PCM Only

ITEM	PART#	DESCRIPTION
	200931K	Software, Datalink, G-I PCM Only Available online at www.proheat.com
	200599K	Software, M-Series Configuration Updater, G-I PCM Only Available online at www.proheat.com
	200980K	Software, Datalink G-II PCM Only Available online at www.proheat.com

DOCUMENTATION SERVICE MANUAL, PARTS CATALOG

ITEM	PART#	DESCRIPTION
1	SL9150	M-Series G-I Service Manual
	SL9157	M-Series G-II Service Manual
2	SL9151	M-Series G-I Parts Catalog
	SL9167	M-Series G-II Parts Manual



NUMERIC PARTS INDEX



PART#	DESCRIPTION	PAGE#	PART#	DESCRIPTION	PAGE#
002222K	O-Ring, Relief Valve, Air (10/pkg.)	5	200700K	Fuel Delivery Block, M-Series c/w Fittings and Fasteners.	5
003121K	O-Ring, Fuel Intake/Air Intake	6	200701K	Fuel Pump Service Kit	6
014427K	O-Ring (10/pkg.)	5, 6	200702K	Solenoid, Fuel Shut Off c/w O-Ring	5
014925K	O-Ring, Fuel Filter	6	200703K	Regulator, M-Series c/w O-Ring & Fasteners.	5
015824K	O-Ring, Air Intake.	2	200705K	Flame Shield.	6
020625K	#10 Lock Washer (10/pkg.)	6	200802K	Ignition Electrodes	6
051700K	Dielectric Grease (10/pkg.)	15	200931K	Software, Datalink, G-I PCM Only.	17
123542K	Fitting, 1/4" JIC M 90° x 1/4" Pushlok	9	200980K	Software, Datalink G-II PCM Only	17
135689K	Snorkel Attachment, 2.25" OD c/w Fasteners	10	200987K	Upgrade Kit, PCM G-II, M-Series, M50/M80-12V	7
135690K	27° Adapter Plate c/w Fasteners	10	200988K	Upgrade Kit, PCM G-II, M-Series, M50/80-24V	7
135695K	Elbow Air Intake, Short, 2.25" OD c/w Fasteners	10	200990K	Upgrade Kit, PCM G-II, M-Series, M50/ M80-24V	7
135697K	Elbow Air Intake, Standard, 2.25" OD c/w Fasteners	10	200991K	Upgrade Kit, PCM G-II, M-Series, M105-24V	7
150266K	SS Enclosure, M-Series/CP RH	12	200992K	Upgrade Kit PCM G-II, M-Series, M50/M80-24V	7
200122K	Screw, M6x1x25mm, BHSCS SS (2/pkg.)	2	201055K	Upgrade Kit, Diaphragm Compressor Tune-Up, M50	3
200200K	Combustion Tube, M50/M80/105	1	201085K	Upgrade Kit, Diaphragm Compressor Tune-Up, M80	3
200204K	Harness, Power, M-Series, 16 ft.	14, 16	201155K	Upgrade Kit, Diaphragm Compressor Tune-Up, M105	3
200224K	Screws, Air Inlet (4/pkg.)	2	202025K	O-Ring, Gear Pump	6
200302K	Overheat/Temperature Sensor c/w O-Ring.	7, 16	206194K	Heat Exchanger, M50, Left Hand	1
200304K	Overheat/Temperature Sensor c/w O-Ring.	16	206195K	Heat Exchanger, M50	1
200404K	Motor, 24 Volt, c/w Fasteners	2	209200K	Combustion Tube, Bravo to M-Series	1
200405K	Blower, M-Series c/w Retaining Ring.	2	215677K	Relief Valve, Air M50 c/w O-Ring	5
200406K	Blower Housing c/w Fasteners.	2	215688K	Relief Valve, Air M80 c/w O-Ring	5
200409K	Splash Guard c/w Fasteners.	10	215699K	Relief Valve, Air M105 c/w O-Ring.	5
200410K	Switch Harness 25 ft.	14	215800K	O-Ring Kit, Complete.	3, 5, 6
200412K	Seal Kit c/w Bearing	2	220420K	O-Ring, Air Intake.	2
200436K	Gear, Set c/w Retaining Rings, M50, M80, M105	2	221442K	O-Ring, Nozzle Only	5
200448K	Retaining Ring (2/pkg.)	3	235687K	Restrictor Exhaust 1" (M50 only)	1
200479K	Fuel Inlet Fitting, c/w O-Ring	6, 9	286000K	Fitting, 3/8 Tube - 1/8" NPT Male Elbow.	9
200496K	Fitting, Elbow Adapter, Tight Access	9	418920K	Screen, Inlet c/w O-Ring	6
200497K	Hose, Fuel 1/4" x 1/4" ID, c/w Fittings.	9	419621K	Adapter, 1/8" NPT Male - 1/8" Female.	9
200508K	Motor, 12 Volt, c/w Fasteners	2	509909K	Burner Head Assembly, M80, 24V, Splash Guard	1
200525K	Gear, Drive, Fuel Pump	6	509912K	Burner Head Assembly, M80, 12V, Splash Guard	1
200530K	Connection Kit, G-I, Aux/CP & G-II, CP	15	509916K	Burner Head Assembly, M50, 12V, Splash Guard	1
200531K	Connection Kit, PCM, G-I & G-II Power	15	509920K	Burner Head Assembly, M50, 24V, Splash Guard	1
200532K	Connection Kit, PCM, G-I & G-II Control	15	550324K	O-Ring (4/pkg.)	3, 5
200533K	Connection Kit, PCM, G-I & G-II CANbus.	15	768021K	Connector MP150 F 2 Way (10/pkg.)	15
200534K	Connection Kit, PCM, G-I Datalink	15	768027K	Connector MP150F Light Grey 2 Way (10/pkg.)	15
200535K	Connection Kit, PCM, G-II Datalink.	15	768320K	Connector MP150 F 6 Way (10/pkg.)	15
200536K	Connection Kit, PCM G-II Aux	15	768600K	Connector MP150 Type 120 7 Way (10/pkg.)	15
200550K	Plug, PCM, G-I Temp and G-II, Aux	7	768621K	Terminal MP150 F Pack (25/pkg.)	15
200561K	Plug, PCM, G-I, Aux/CP and G-II, CP	7	768724K	Wire Seal MP150 DK Red (25/pkg.)	15
200564K	Plug, PCM, G-I and G-II Control.	7	768828K	Plug Seal, (25/pkg.)	15
200570K	Plug, PCM, G-I, Datalink.	7	769234K	Straight Fitting, NPTM x 1-1/2" Hose	13
200581K	Plug, PCM G-I and G-II CANbus.	7	769235K	Fitting Kit, 1-1/2" to 1" c/w clamps	13
200585K	Plugs, PCM, G-I & G-II Complete Plug Kit	7	780322K	Connector MP150 F 8 Way (10/pkg.)	15
200589K	Nozzle, 30609-50 (M50 only) Inc. O-Ring	5	829325K	Plug, 5/16-24 ORB HX c/w O-Ring	5
200592K	Nozzle, 30609-51 (M105 only) Inc. O-Ring	5			
200599K	Software, M-Series Configuration Updater.	17			
200610K	Air Filter, M-Series	2			
200630K	Idler Shaft, Fuel Pump	6			
200631K	Ignition Module c/w Fasteners & Electrodes	6			

PART#	DESCRIPTION	PAGE#	PART#	DESCRIPTION	PAGE#
842725K	ON/OFF Switch, 24 Volt	12	961125K	Installation Kit, Timer	11
850123K	Screw, M6 x 1 x 60mm, SHCS SS (4/pkg.)	6	967635K	Test Lead, 2 Way	16
850217K	Fitting, -4 JIC Male - 1/8" Male NPT	9	967636K	Test Lead, 3 Way	16
850233K	Screw, M6 x 1 x 16mm, SHCS SS (4/pkg.)	2, 3, 6	969741K	Diagnostic Light, 6 Pin 12 Volt	16
850400K	M80 Only, Heat Exchanger, Up Exhaust	1	969742K	Diagnostic Light, 6 Pin 24 Volt	16
850778K	Screw M8 x 1.25 x 30 HWHCS (2/pkg.)	1	980013K	Lock MP150 8 Way (10/pkg.)	15
852525K	Gear, Pinion, Fuel Pump.	6	980630K	Fuel Pick-Up, 28" (#4 JIC M x 3/8 NPTM)	9
854123K	1/4" JIC Male - 1/4" JIC Swivel Elbow.	9	980794K	Exhaust, Pipe, 2.75" ID x 10" c/w Clamp.	11
854421K	Nozzle, 30609-9 (M80 only) Inc. O-Ring	5	998885K	Wire Seal MP280 DK Red (25/pkg.)	15
859165K	Fitting, -4 JIC-M x 1/8NPT-M STL	6, 9	PK0001-1	T-II Timer, 7-day Digital c/w Installation Kit.	11
862128K	Bleed Valve, M80 Exhaust Up, Only	1	PK0036	Test Gauge, Air Pressure, Digital Manometer.	16
872010K	Connector MP150 F 3 Way (10/pkg.)	15	PK0056	PROHEAT Datalink Kit, M-Series	17
872015K	Lock MP150 3 Way (10/pkg.)	15	PK0064	Proheat Datalink USB Cable Kit	17
872025K	Terminal MP280 F (25/pkg.)	15	PK0067	Test Gauge, Fuel Pressure	16
880015K	Fuel Inlet Fitting, c/w O-Ring	6, 9	PK0071	Test Gauge Adapter, Air Pressure	16
880035K	Fuel Filter	6	PK0091	Remote On/Off Switch, M-Series	16
880072K	1/4" Hose Clamp.	9	PK0092	Service Kit	16
896572K	Snorkel Attachment, 3" OD c/w Fasteners	10	PK0316	Air Inlet Hose Kit, 3" ID x 5 feet, c/w gear clamp and 6 tie straps	10
900528K	Exhaust, Flexible, 2.75" ID x 12	11	PK0317	Air Inlet Hose Kit, 2.25" ID x 5 feet, c/w gear clamp and 6 tie straps	10
900542K	Exhaust, Elbow, 2.75" OD to 2.75" ID	11	PK0364	1-1/2" Hose Coupling Kit	13
900879K	Clamp, Exhaust, 3.0" ID	11	PK0365	Pump, Coolant CP 5300/24V	13
900960K	Plug, Temp. Sensor Boss.	1	SL9150	M-Series G-I Service Manual	17
912025K	Fitting, -4 Hose - 1/8" NPT Male Elbow	9	SL9151	M-Series G-I Parts Catalog.	17
917724K	O-Ring, Temperature Sensor	7	SL9157	M-Series G-II Service Manual	17
917824K	Lock, MP280 2 Way (10/pkg.)	15	SL9167	M-Series G-II Parts Manual	17
917826K	Connector MP280 F 2 Way (10/pkg.)	15	TK9002	Flow Indicator	16
917828K	Lock MP150 2 Way (10/pkg.)	15			
920125K	ON/OFF Switch, 12 Volt	12			
920175K	Retaining Ring (3/pkg.)	2			
925173K	Fitting, 1/4" Hose, -4 JIC M Pushlok.	9			
933628K	Coolant Elbow Kit.	13			
933838K	Bracket, Heavy Duty Pump.	13			
940128K	Flange Kit, Heavy Duty Pump	13			
940500K	Heat Exchanger, M80/M105.	1			
940600K	Heat Exchanger, Bravo to M-Series	1			
944555K	Harness Adapter, Power, Bravo to M-Series, 1 ft.	14			
944556K	Harness Adapter, Switch, Bravo to M-Series, 1ft.	14			
944557K	Harness Adapter, Coolant Pump, Bravo to M-Series, 1ft.	14			
944900K	Coolant Pump Harness 25 ft.	14			
950662K	Coolant Pump, HD, Brushless, Mag Drive Straight Fitting 12 Volt	13			
950663K	Coolant Pump, HD, Brushless, Mag Drive Elbow Fitting 24 Volt	13			
950664K	Coolant Pump, HD, Brushless, Mag Drive Elbow Fitting 12 Volt	13			
950666K	Coolant Pump, HD, Brushless, Mag Drive Straight Fitting 24 Volt	13			
950669K	Brush Kit (2/pkg.)	2			
950673K	Seal Kit CP 5300 Pump	13			
950674K	Brush Kit CP 5300 Pump (2/pkg)	13			
950826K	Lock MP150 6 Way (10/pkg.)	15			
960146K	Fuel, Hose 1/4" ID Pushlok 15 ft.	9			
960150K	Adapter Kit, Fuel Supply, Tight Access.	9			



SeaStar Solutions

3831 No.6 Road
Richmond, B.C.
Canada V6V 1P6

Tel: 604-270-6899
Fax: 604-270-7172

www.proheat.com



Designed and Manufactured
in North America



ISO 9001
QMS-GM Global

© 2009 Marine Canada Acquisition Inc. DBA SEASTAR SOLUTIONS

Proheat is a registered trademark of Marine Canada Acquisition Inc.
and its subsidiary companies.

Printed in Canada 04/13 PID# SL9151H