

General information

A. Vehicle Identification Number (V.I.N.)

Each time spare parts must be ordered, you must refer to your vehicle identification number serial number. In order to understand the meaning of this number, please refer to the following:

2 P C L 3 3 4 9 5 T 1 0 2 5001

VEHICLE MODEL

This manual covers vehicle model XL coaches and MTH bus shells.

L	XL coaches
M	MTH bus shell
E	MTH bus shell Entertainer
V	V.I.P. serie H3

VEHICLE LENGTH

0	40 feet
9	45 feet

MODEL YEAR

YEAR	CODE	YEAR	CODE	YEAR	CODE
1984	E	1993	P	2002	2
1985	F	1994	R	2003	3
1986	G	1995	S	2004	4
1987	H	1996	T	2005	5
1988	J	1997	V	2006	6
1989	K	1998	W	2007	7
1990	L	1999	X	2008	8
1991	M	2000	Y	2009	9
1992	N	2001	1	2010	A

SEQUENCE NUMBER

This number represents the sequence the vehicle has followed on the assembly line. Up to 1995 model year, the sequence number is represented by the last three digits, since 1996 model year, the sequence number is represented by the last four digits.

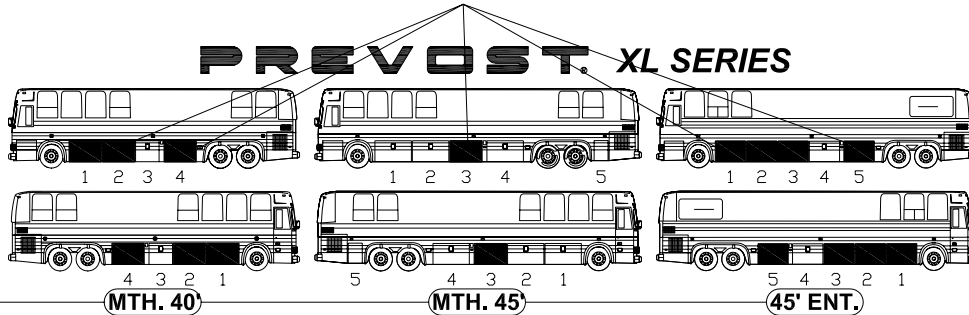
B. Effectivity

This manual covers information for vehicle from the E-638 to present.

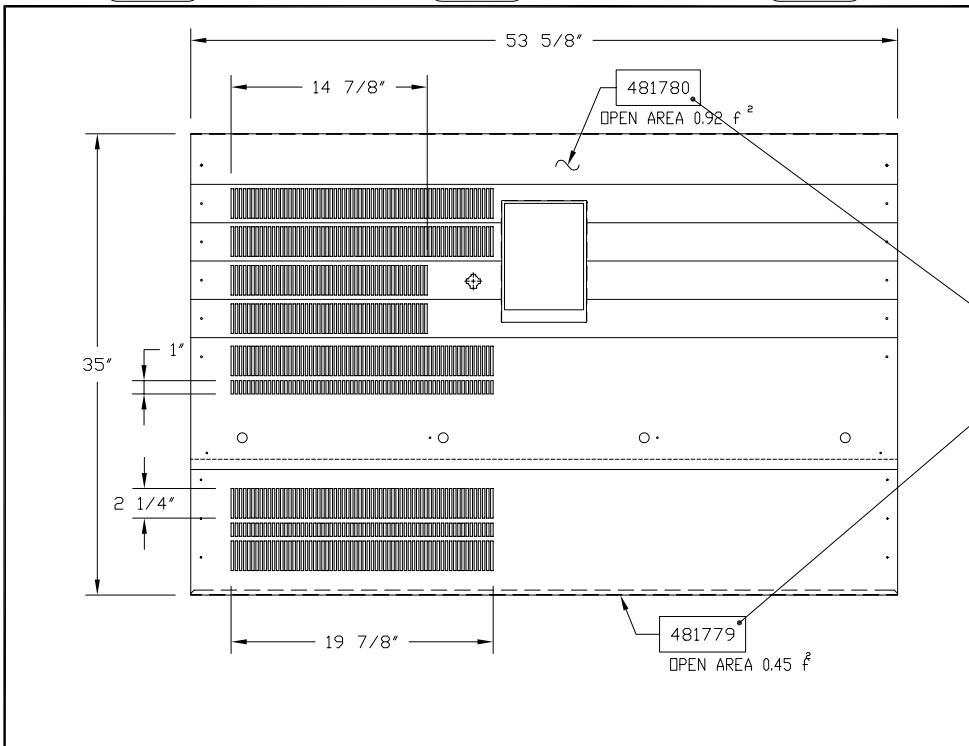
PRIOR means that a component is effective to the vehicles manufactured before the specified serial number.

HOW TO READ PANEL INFORMATION

Door location possibilities



Vehicle type
(refer to V.I.N.)



Panel part no.
with air flow
capacity.

EXTERIOR VIEW

NOTE:
-LARGE LUGGAGE DOOR FOR MTH 40'
-SMALL LUGGAGE DOOR FOR MTH 45'
-LARGE LUGGAGE DOOR FOR 45' ENT.

POSITION 2 ON M.T.H. 40' AND
3 ON 45' ENT ARE NOT VALID
STARTING WITH V-6258.
SEE 45" DOOR OPTION LIST.

APPLICABLE
ONLY if
complete door
assembly is
available in
service.

TOTAL PERFORATED AREA: 1.37 f ²	EFF : E-638	DOOR ASSY ONLY IN SERVICE PART	N.A.
	PRIOR: L-684		
DATE: 98-03	WITH INSULATION	OPTION LIST	#481781
REV. :	WITHOUT INSULATION X		

Vehicle effective
serial number
& model year.

Parts are effective
before this vehicle
serial number.

Date and revision
of this page.

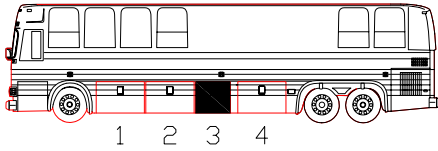
Production line
use only. (Reference only)

TABLE OF CONTENTS

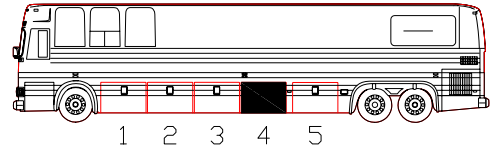
GENERAL	00
BAGGAGE DOORS 38" XL	01
BAGGAGE DOORS 38" XL-II	02
BAGGAGE DOORS 45" XL	03
BAGGAGE DOORS 45" XL-II	04
BAGGAGE DOORS 53" XL	05
BAGGAGE DOORS 53" XL-II	06
BAGGAGE DOORS 53" XL-II "SLIDE-OUT"	07
BAGGAGE DOORS 60" XL	08
BAGGAGE DOORS 60" XL-II	09
BAGGAGE DOORS 60" XL-II "SLIDE-OUT"	10
REAR SERVICE DOORS R.H. XL	11
REAR SERVICE DOORS R.H. XL-II	12
REAR SERVICE DOORS L.H. XL	13
REAR SERVICE DOORS L.H. XL-II	14
MISCELLANEOUS PANELS XL	15
MISCELLANEOUS PANELS XL-II	16
BAGGAGE DOORS 48" V.I.P.	17
BAGGAGE DOORS 54" V.I.P.	18
BAGGAGE DOORS 45" XL-II "SLIDE-OUT"	19

BAGGAGE DOORS 70" X3-VIP & XL-II ENT	20
BAGGAGE DOORS 70" ALUMINIUM FRAME X3-VIP & XL-II ENT	21
4 TH PANEL 50.5" CURB SIDE X3-VIP & XL-II ENT	22
4 TH PANEL 53.75" STREET SIDE X3-VIP & XL-II ENT	23
4 TH PANEL 60" CURB SIDE X3-VIP & XL-II ENT	24

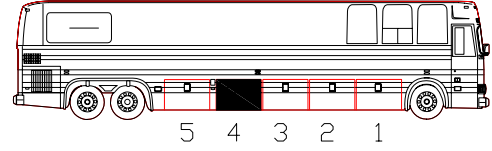
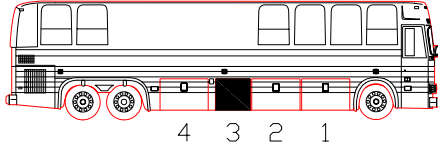
PREVOST® XL SERIES



MTH. 40'



45' ENT.



38" BAGGAGE DOORS

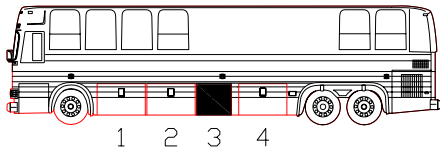
OPTION LIST	UPPER PANEL	LOWER PANEL	PERFORATED AREA F ²	INSULATION	
481688	471624	471625	NO	X	
481688	471624	471625	NO	X	W/INTERIOR PANEL
481689	481276	481277	1.03	X	
481690	481296	481277	1.84		
481691	481296	471625	1.25		
481692	471624	481277	0.61		
481701	481644	481640	0.31	X	
481702	481646	481642	0.46	X	
481752	471624	481750	0.74	X	
481854	481857	481277	1.60		
481855	481857	471625	1.00		
481963	481957	481951	1.77		
482106	482107	482108	0.82		
482112	472781	481277	2.73		SEE DRAWING

DOTTED AREAS ARE NOT IN PRODUCTION AT TIME OF PRINTING.

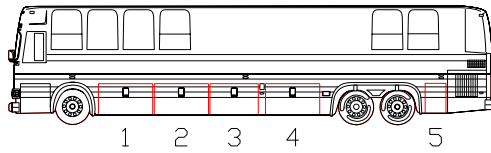
DATE: 98-03

REV.:

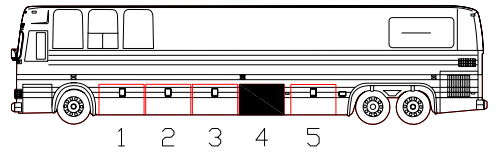
PREVOST XL SERIES



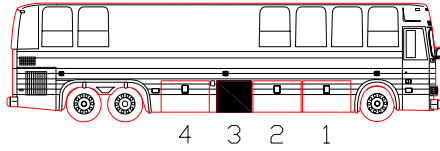
1 2 3 4



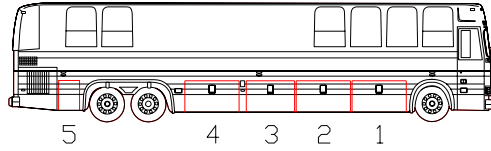
1 2 3 4 5



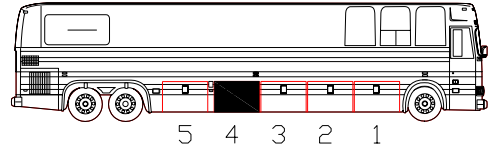
1 2 3 4 5



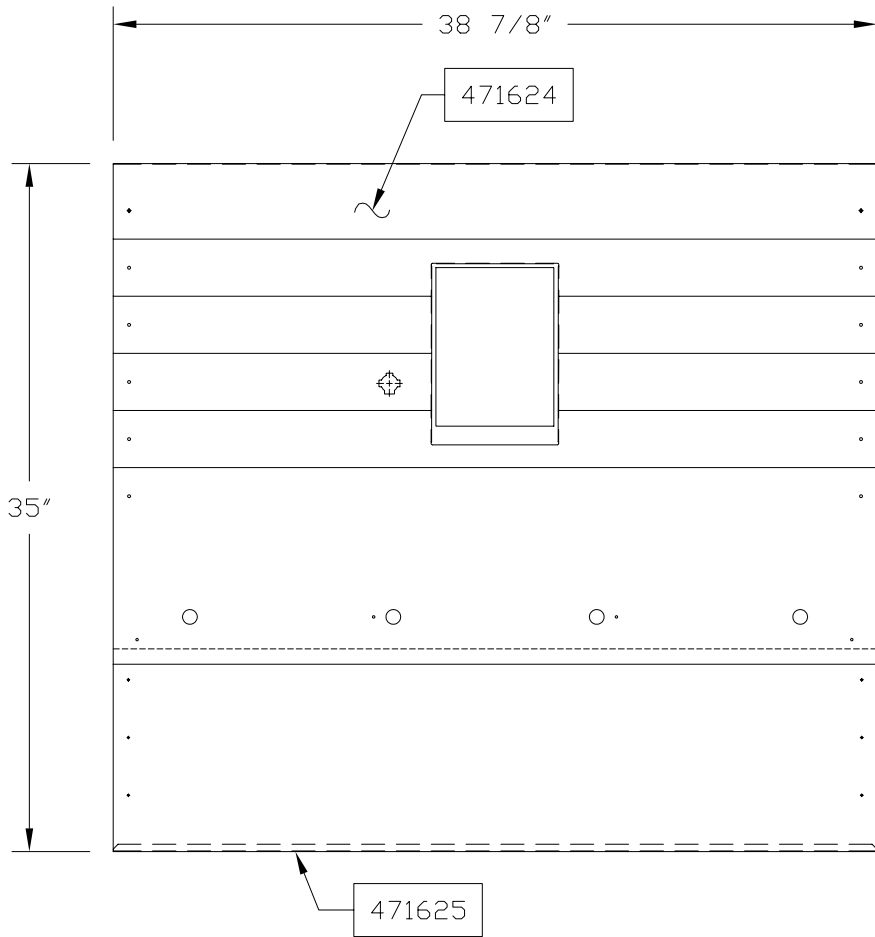
MTH. 40'



MTH. 45'



45' ENT.



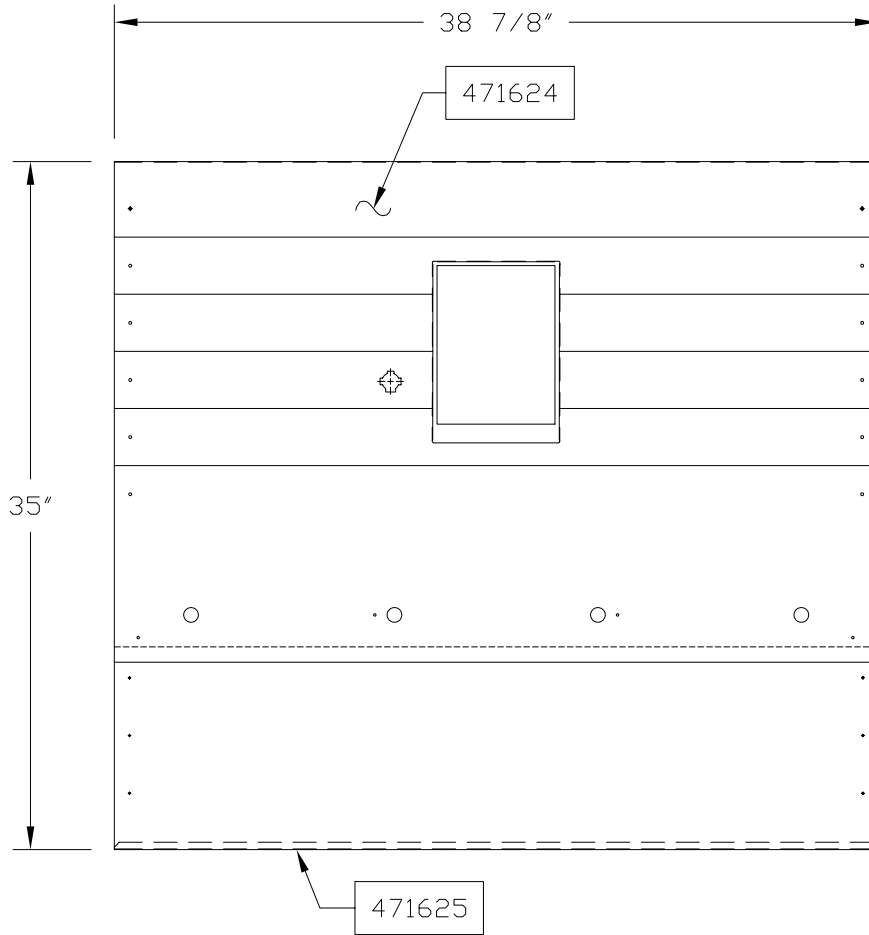
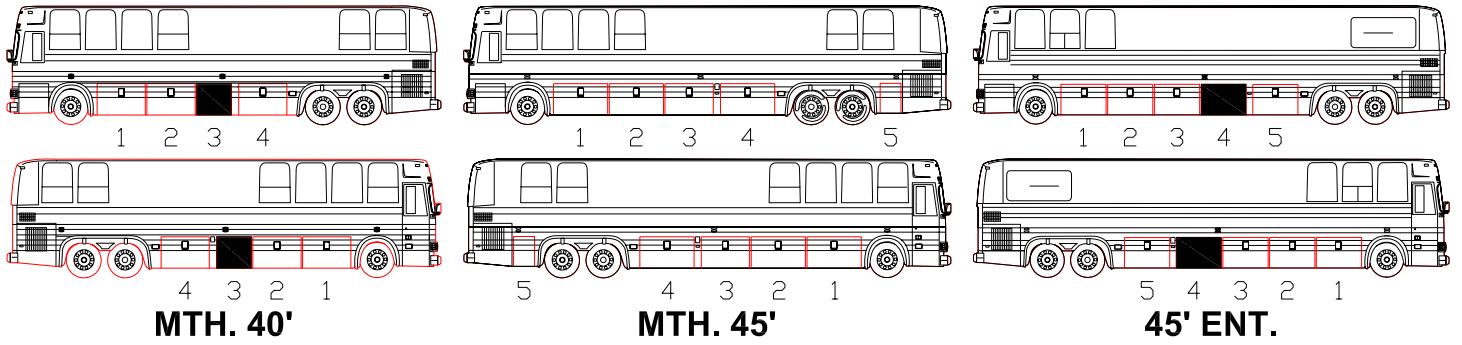
EXTERIOR VIEW

NOTE:

- SMALL LUGGAGE DOOR FOR MTH 40'
- SMALL LUGGAGE DOOR FOR 45' ENT.
- W/O INTERIOR PANEL

TOTAL PERFORATED AREA: 0000 f ²	EFF : E-652		DOOR ASSY ONLY IN SERVICE PART	481133
	PRIOR: V-6258			
DATE: 98-03	WITH INSULATION	X	OPTION LIST	481688
REV. :	WITHOUT INSULATION			

PREVOST XL SERIES



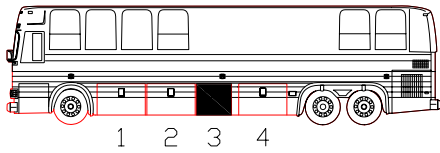
EXTERIOR VIEW

NOTE:

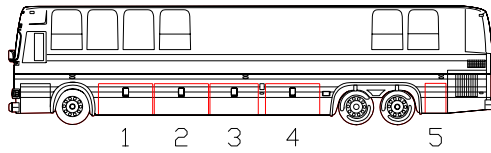
- SMALL LUGGAGE DOOR FOR MTH 40'
- SMALL LUGGAGE DOOR FOR 45' ENT.
- WITH INTERIOR PANEL #471626

TOTAL PERFORATED AREA: 0000 f ²	EFF : E-652		DOOR ASSY ONLY IN SERVICE PART	481289
	PRIOR: V-6258			
DATE: 98-03	WITH INSULATION	X	OPTION LIST	481688
REV. :	WITHOUT INSULATION			

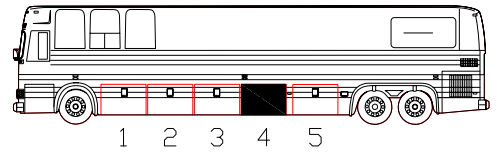
PREVOST XL SERIES



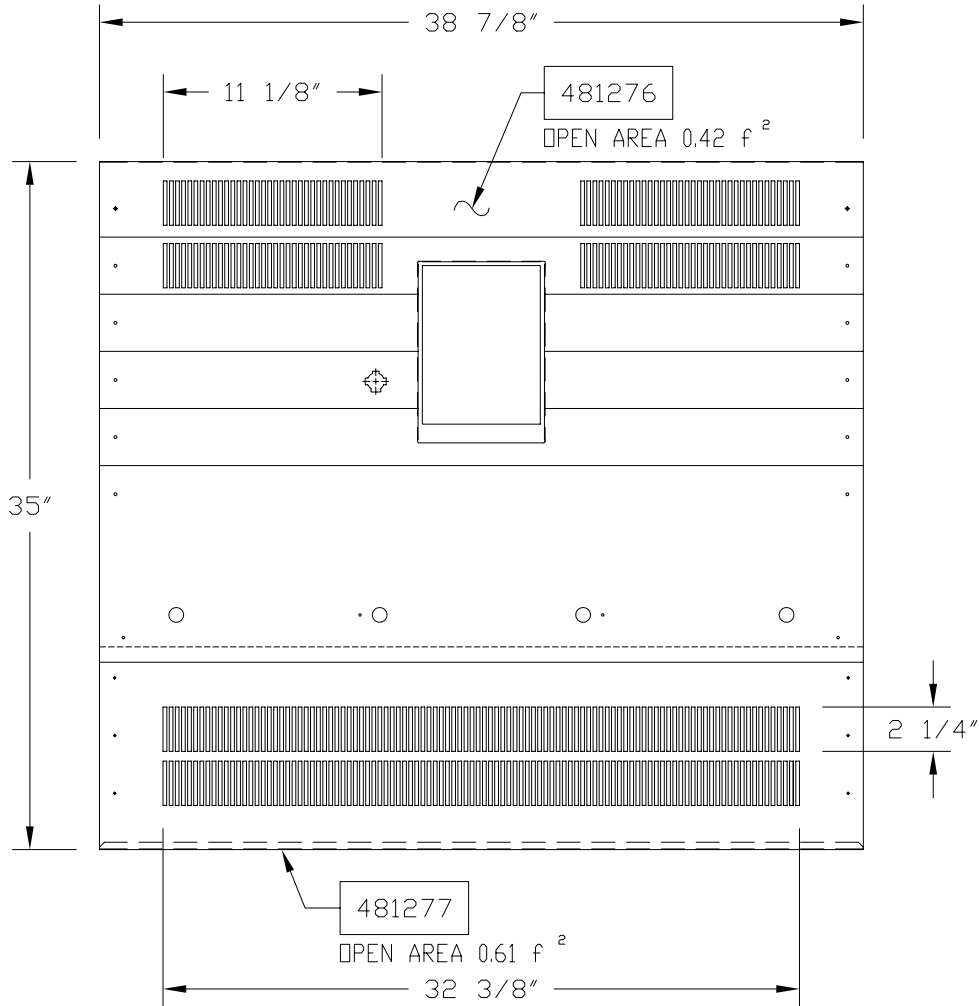
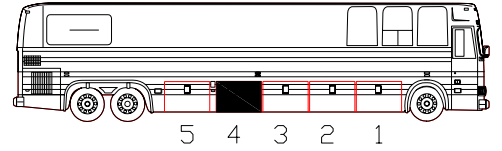
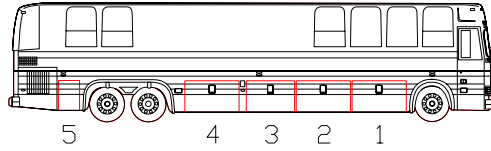
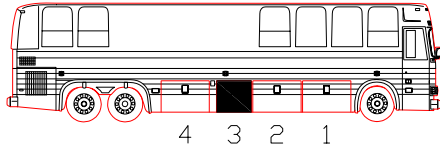
MTH. 40'



MTH. 45'



45' ENT.



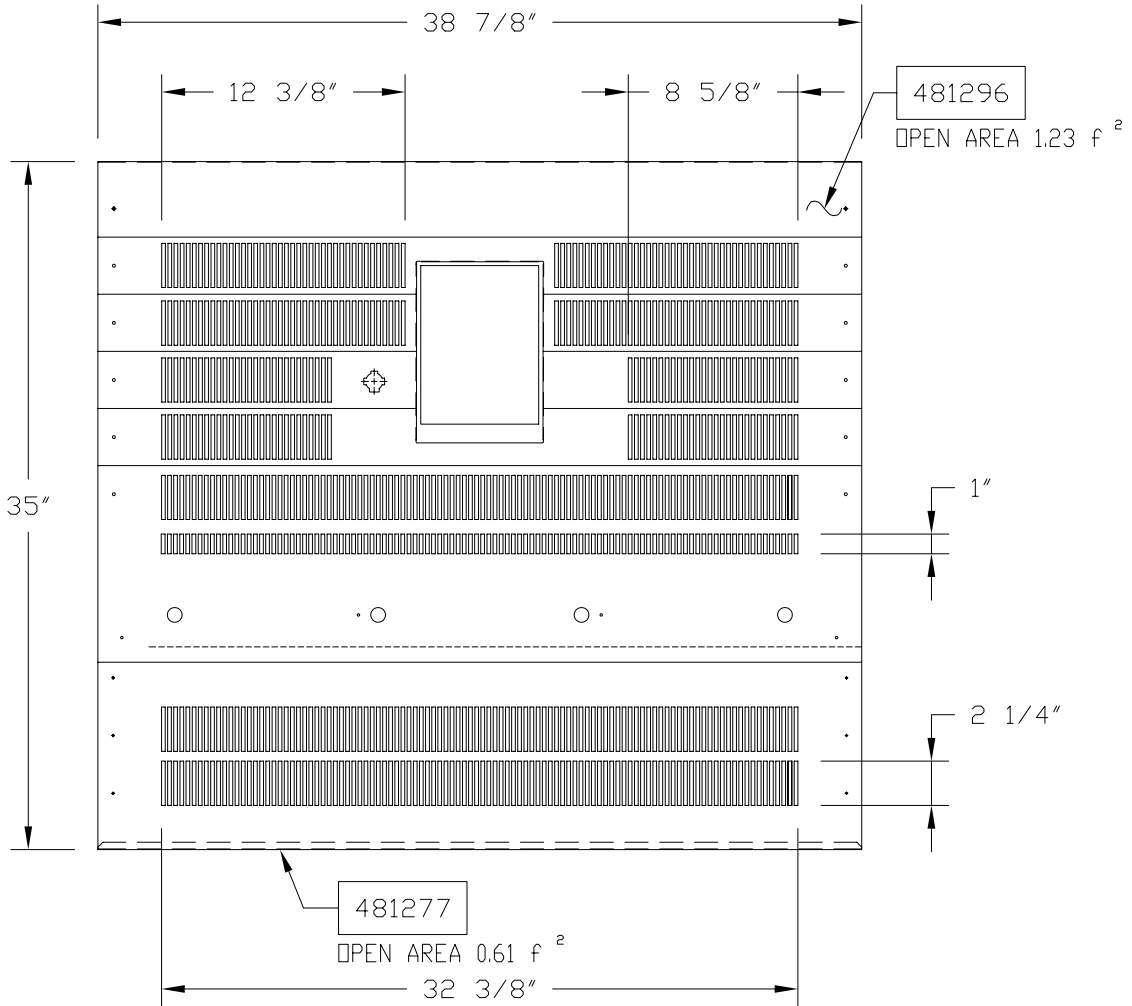
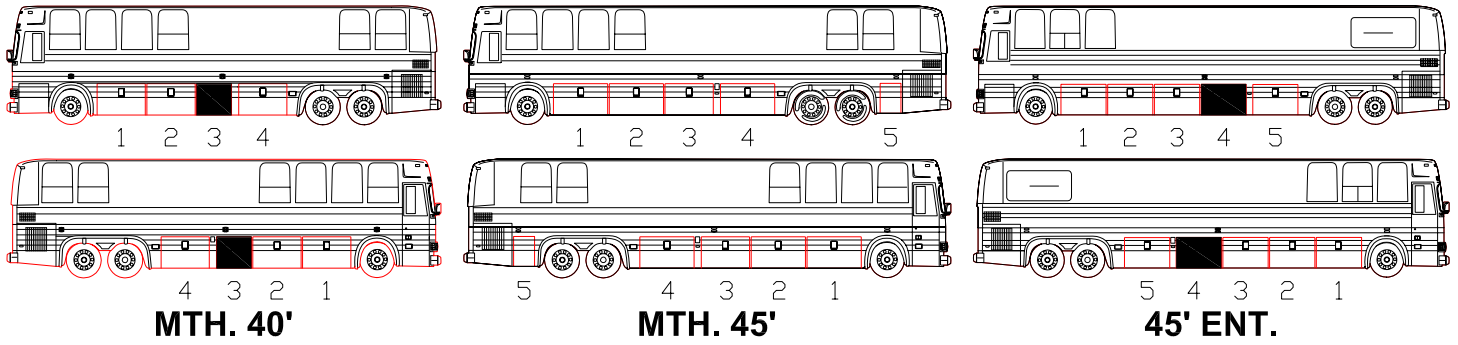
EXTERIOR VIEW

NOTE:

- SMALL LUGGAGE DOOR FOR MTH 40'
- SMALL LUGGAGE DOOR FOR 45' ENT.

TOTAL PERFORATED AREA: 1.03 f^2	EFF : E-652		DOOR ASSY ONLY IN SERVICE PART	481286
	PRIOR: V-6258			
DATE: 98-03	WITH INSULATION	X	OPTION LIST	481689
REV. :	WITHOUT INSULATION			

PREVOST XL SERIES



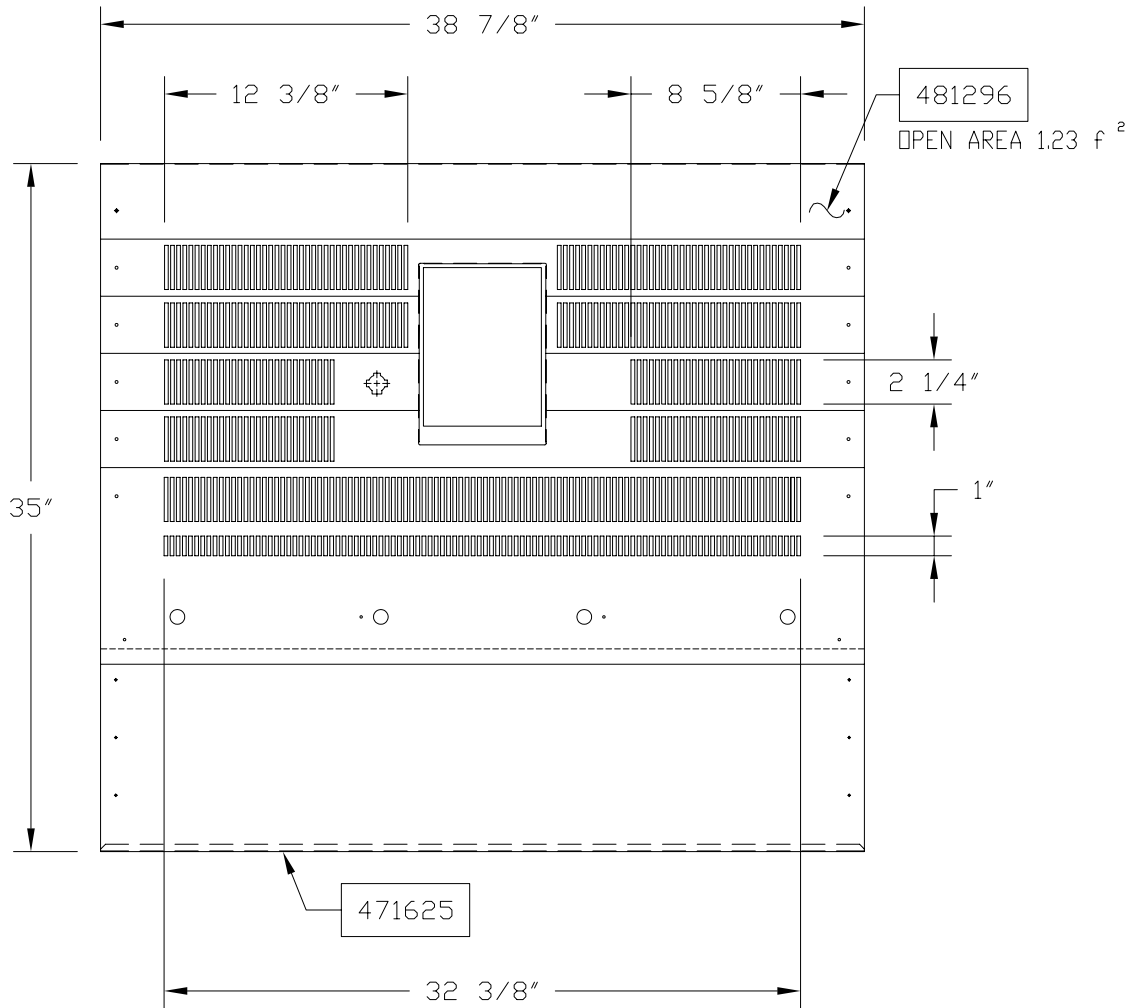
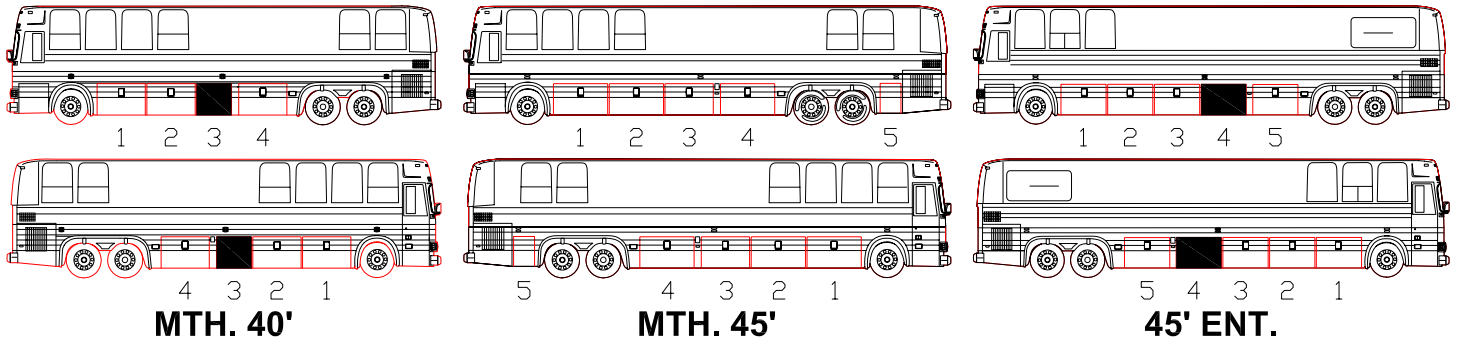
EXTERIOR VIEW

SEE ALSO
OPTION LIST
#481854

NOTE:
-SMALL LUGGAGE DOOR FOR MTH 40'
-SMALL LUGGAGE DOOR FOR 45' ENT.

TOTAL PERFORATED AREA: 1.84 f ²	EFF : E-652	DOOR ASSY ONLY IN SERVICE PART	481297
	PRIOR: L-684		
DATE: 98-03	WITH INSULATION	OPTION LIST	481690
REV. :	WITHOUT INSULATION X		

PREVOST XL SERIES



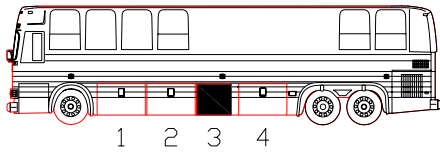
EXTERIOR VIEW

SEE ALSO
OPTION LIST
#481855

NOTE:
-SMALL LUGGAGE DOOR FOR MTH 40'
-SMALL LUGGAGE DOOR FOR 45' ENT.

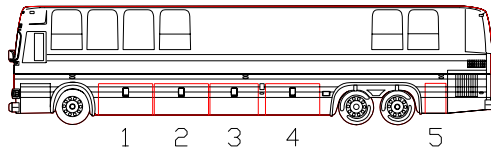
TOTAL PERFORATED AREA: 1.23 f ²	EFF : E-652	DOOR ASSY ONLY IN SERVICE PART	481323
	PRIOR: L-684		
DATE: 98-03	WITH INSULATION	OPTION LIST	481691
REV. :	WITHOUT INSULATION X		

PREVOST XL SERIES



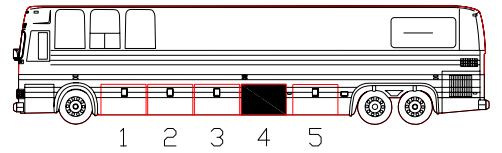
1 2 3 4

MTH. 40'



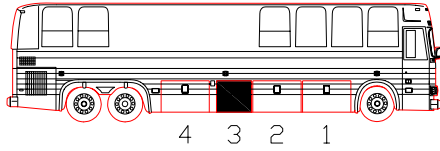
1 2 3 4 5

MTH. 45'

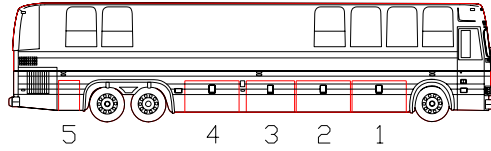


1 2 3 4 5

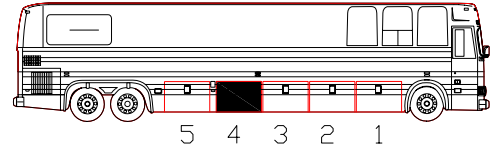
45' ENT.



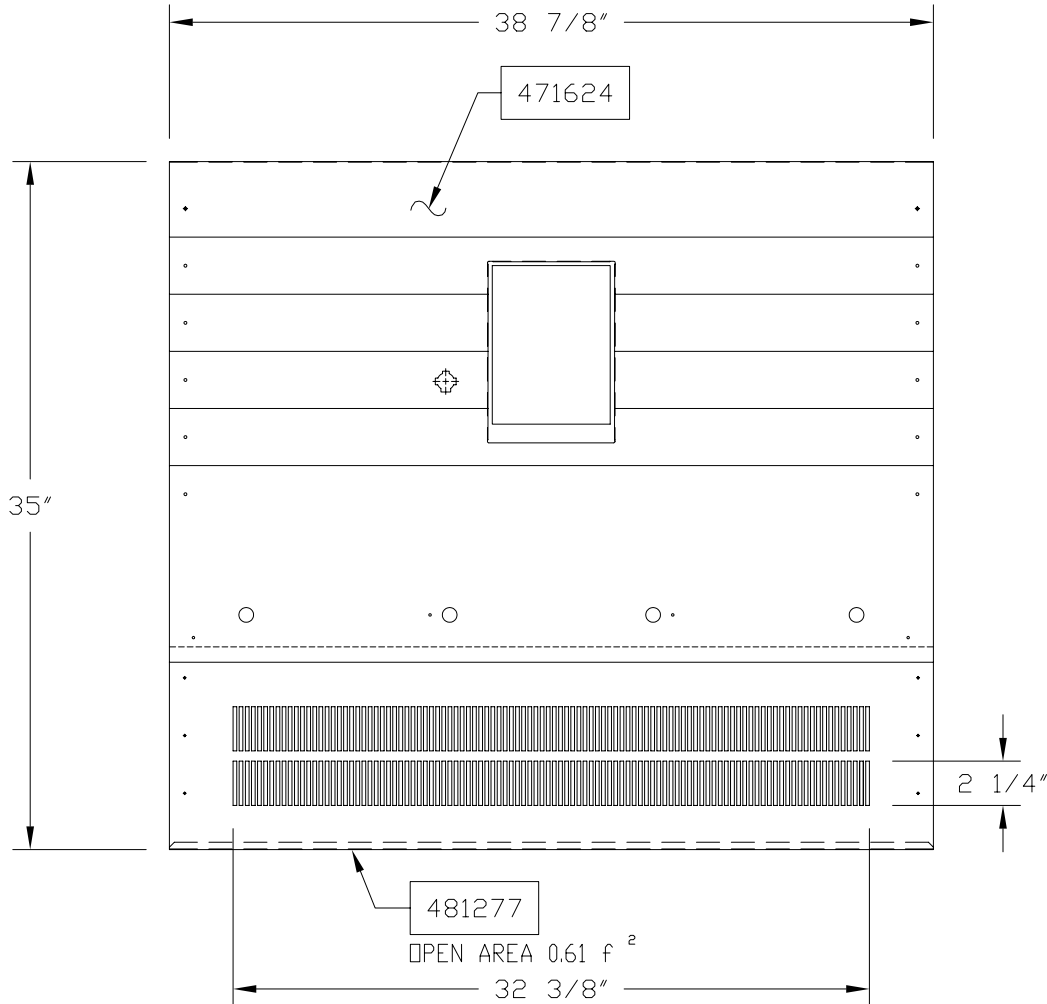
4 3 2 1



5 4 3 2 1



5 4 3 2 1



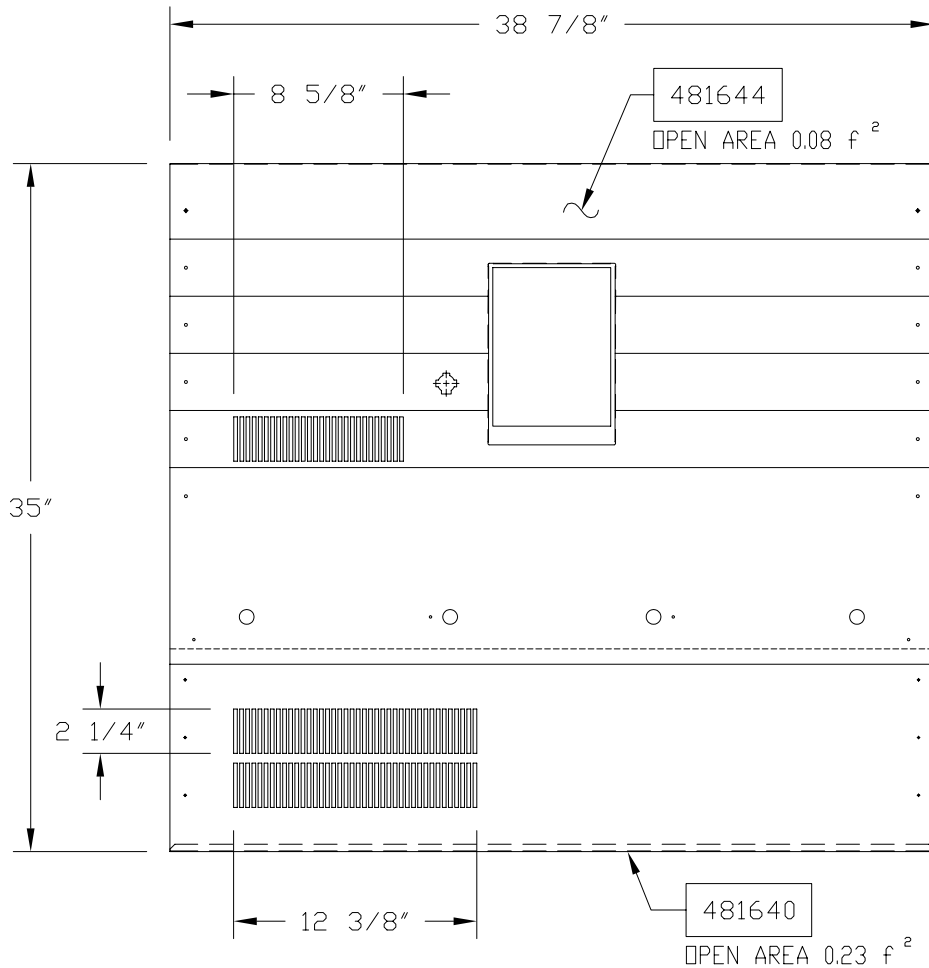
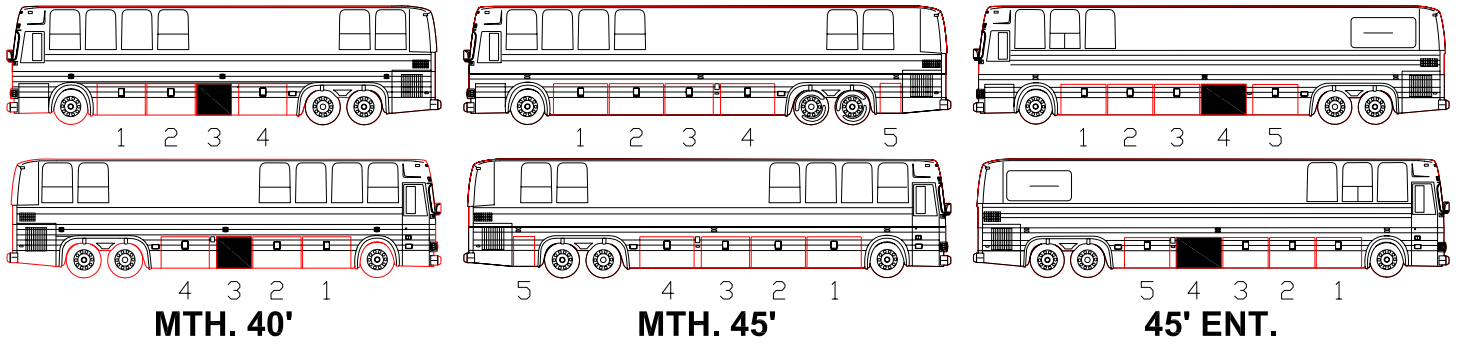
EXTERIOR VIEW

NOTE:

- SMALL LUGGAGE DOOR FOR MTH 40'
- SMALL LUGGAGE DOOR FOR 45' ENT.

TOTAL PERFORATED AREA: 0.61 f ²	EFF : E-652		DOOR ASSY ONLY IN SERVICE PART	481624
	PRIOR: V-6258			
DATE: 98-03	WITH INSULATION	X	OPTION LIST	481692
REV. :	WITHOUT INSULATION			

PREVOST XL SERIES



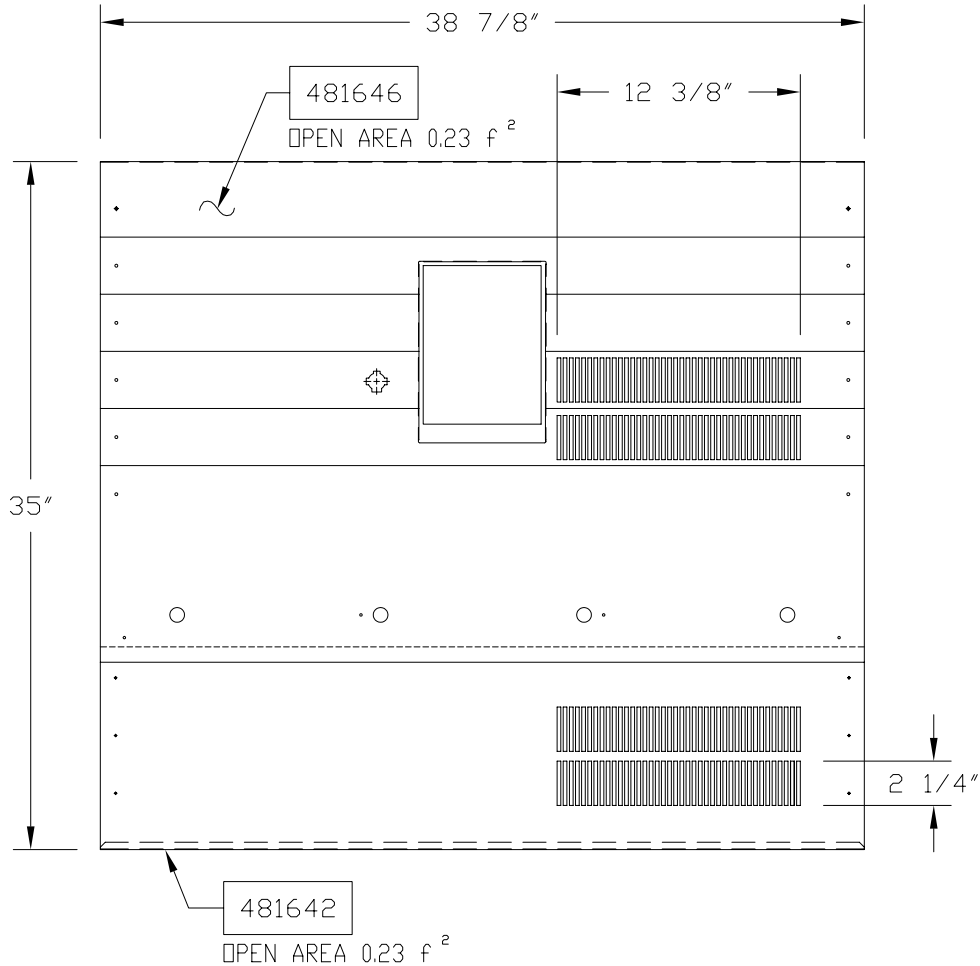
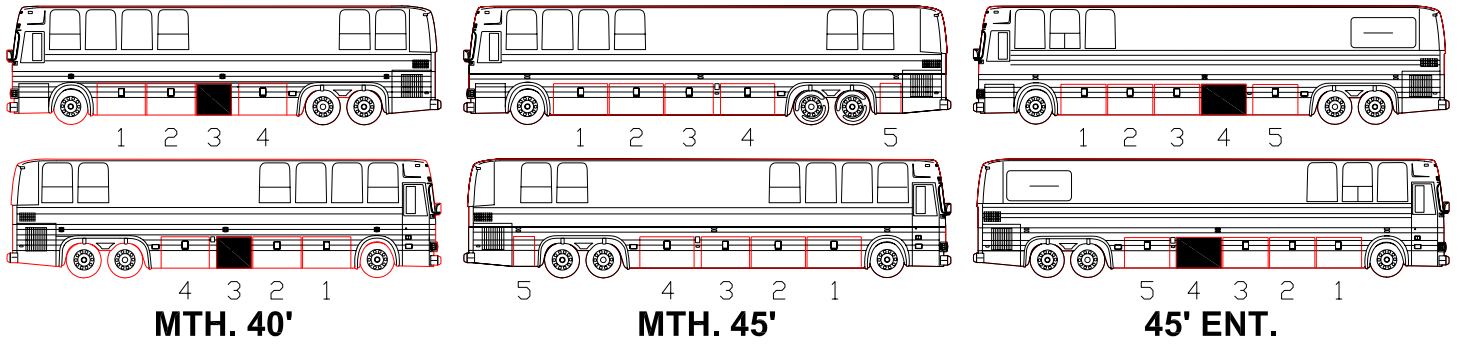
EXTERIOR VIEW

NOTE:

- SMALL LUGGAGE DOOR FOR MTH 40'
- SMALL LUGGAGE DOOR FOR 45' ENT.

TOTAL PERFORATED AREA: 0.31 f ²	EFF : E-652		DOOR ASSY ONLY IN SERVICE PART	481649
	PRIOR: V-6258			
DATE: 98-03	WITH INSULATION	X	OPTION LIST	481701
REV. :	WITHOUT INSULATION			

PREVOST XL SERIES



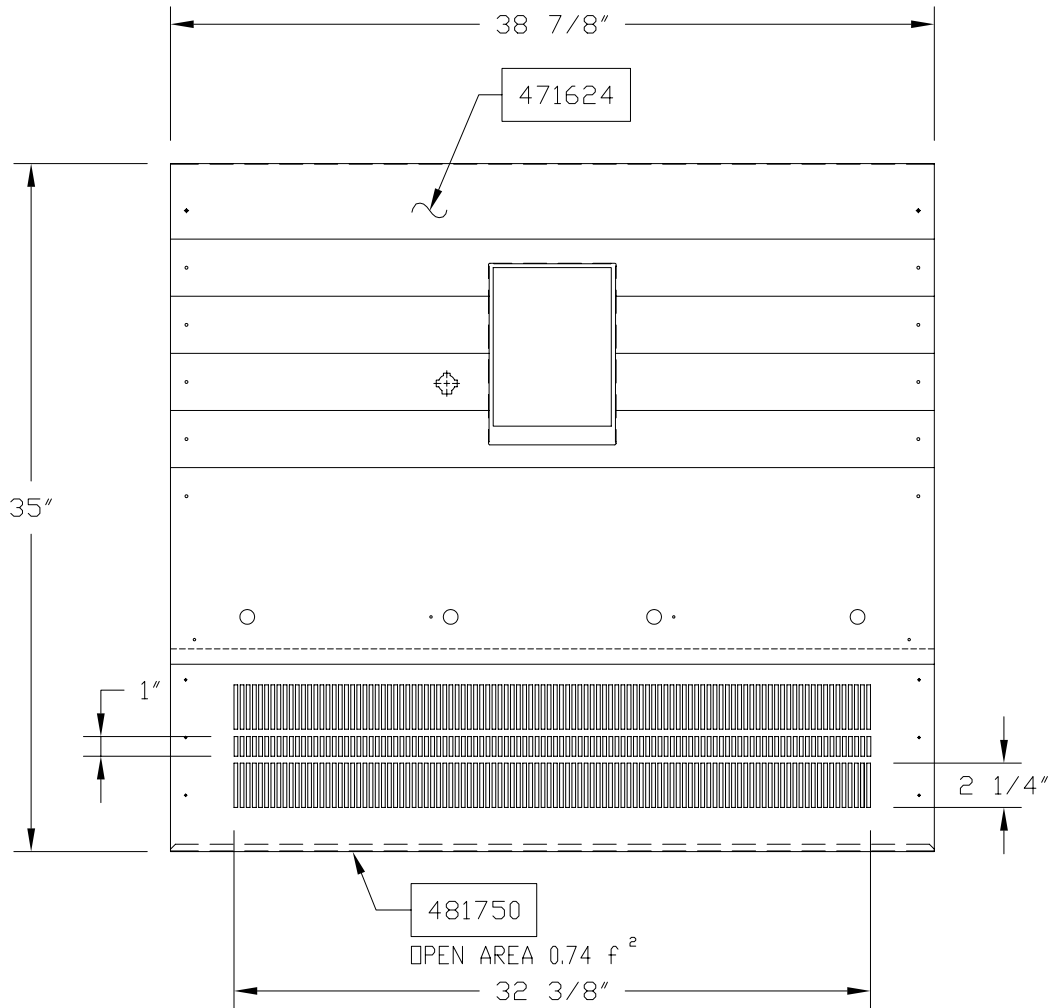
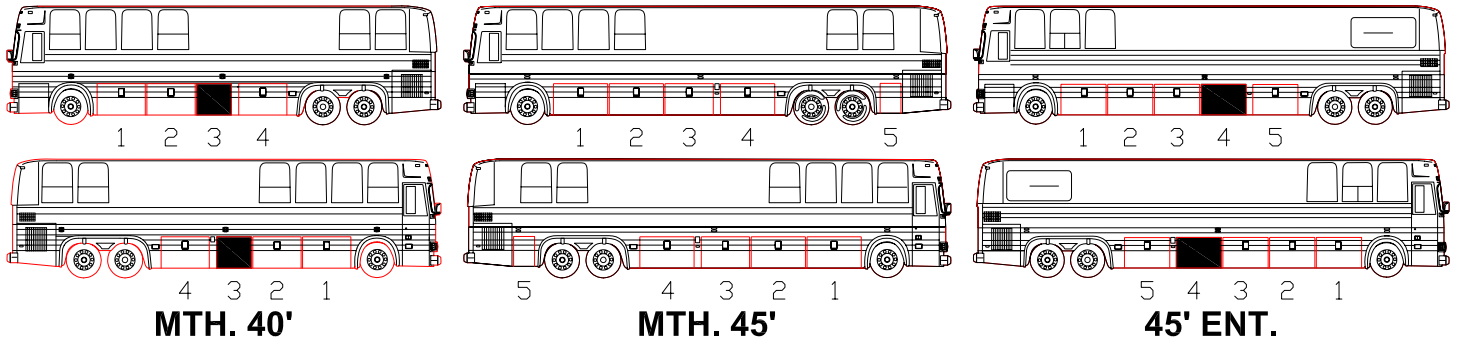
EXTERIOR VIEW

NOTE:

- SMALL LUGGAGE DOOR FOR MTH 40'
- SMALL LUGGAGE DOOR FOR 45' ENT.

TOTAL PERFORATED AREA: 0.46 f ²	EFF : E-652		DOOR ASSY ONLY IN SERVICE PART	481650
	PRIOR: V-6258			
DATE: 98-03	WITH INSULATION	X	OPTION LIST	481702
REV. :	WITHOUT INSULATION			

PREVOST XL SERIES



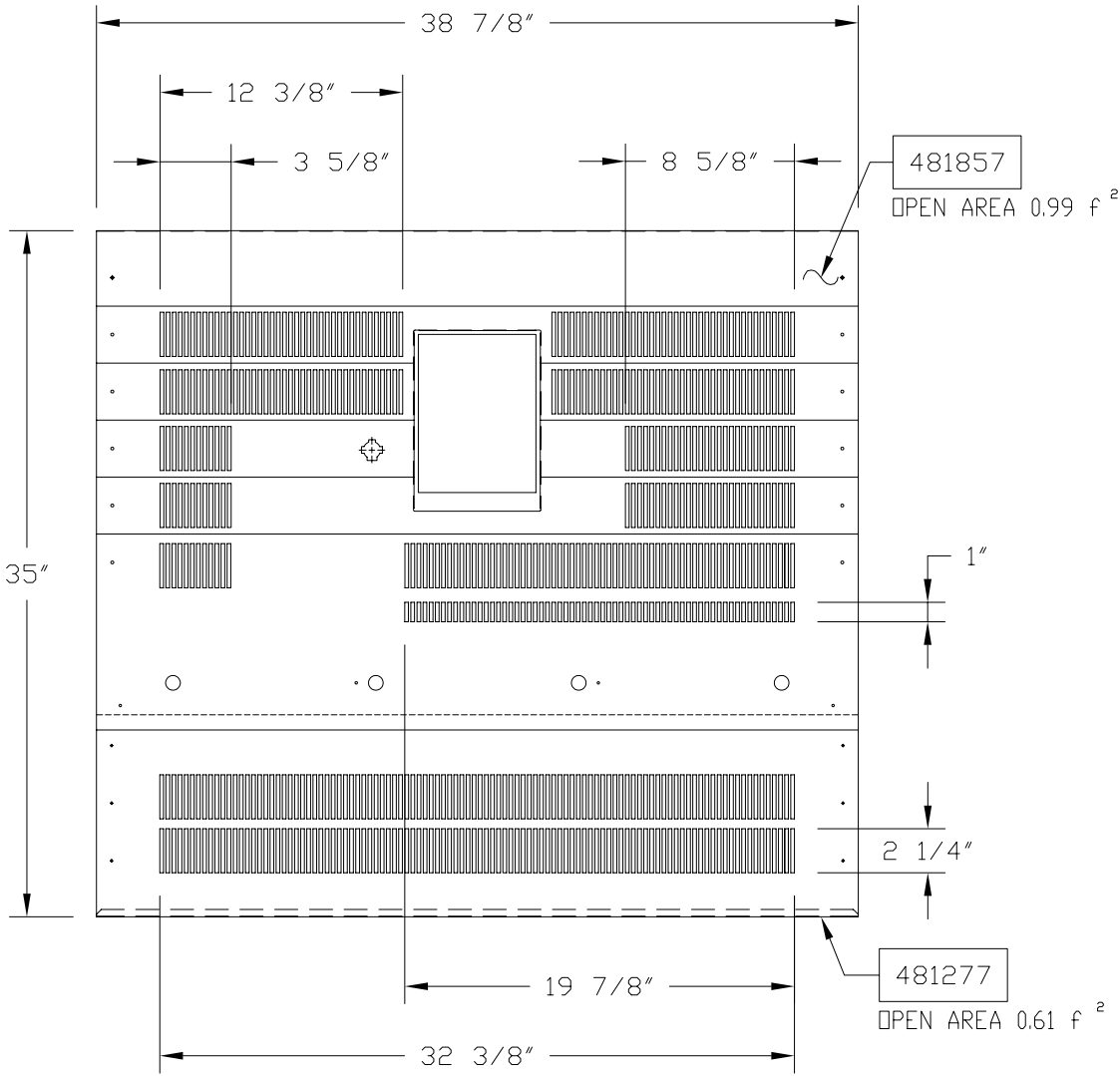
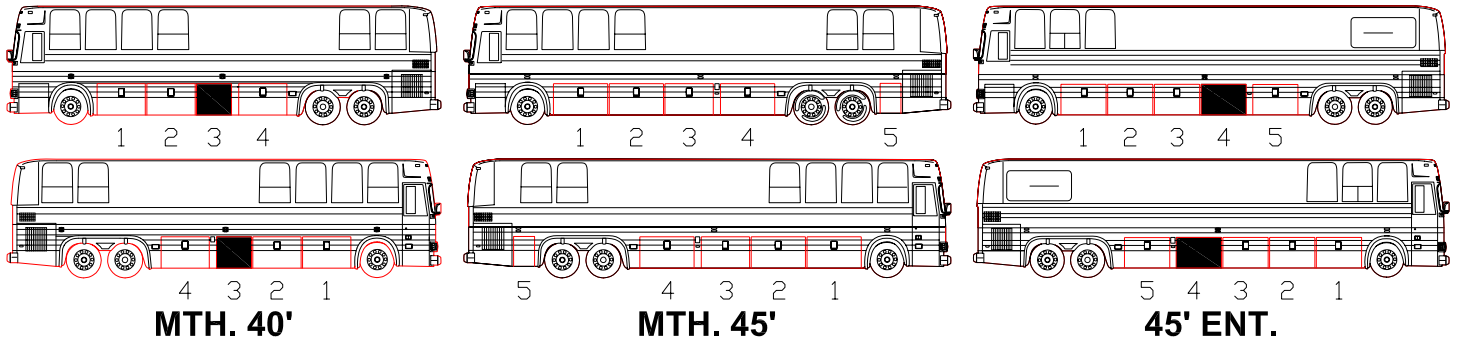
EXTERIOR VIEW

NOTE:

- SMALL LUGGAGE DOOR FOR MTH 40'
- SMALL LUGGAGE DOOR FOR 45' ENT.

TOTAL PERFORATED AREA: 0.74 f ²	EFF : E-652		DOOR ASSY ONLY IN SERVICE PART	N.A.
	PRIOR: V-6258			
DATE: 98-03	WITH INSULATION	X	OPTION LIST	481752
REV. :	WITHOUT INSULATION			

PREVOST XL SERIES

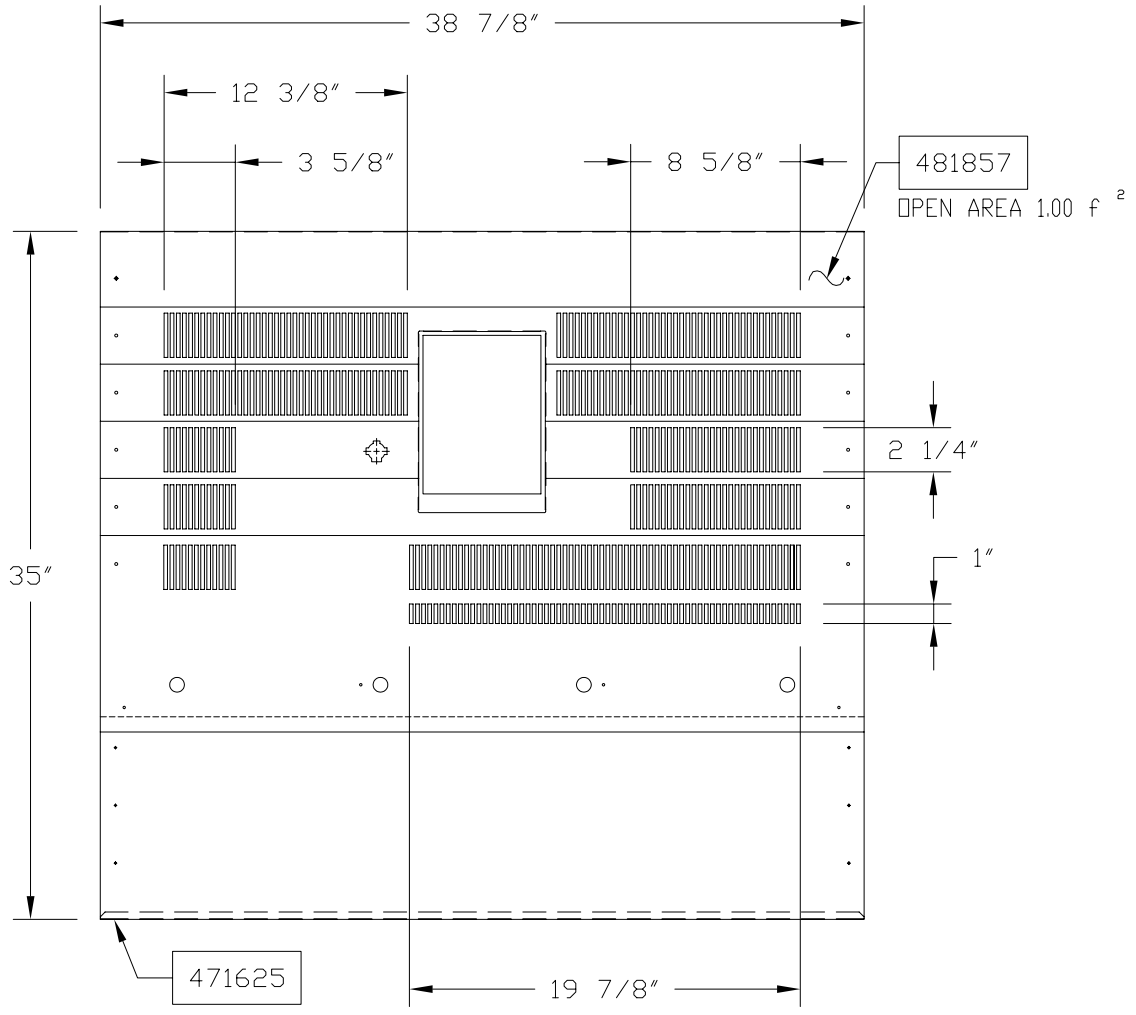
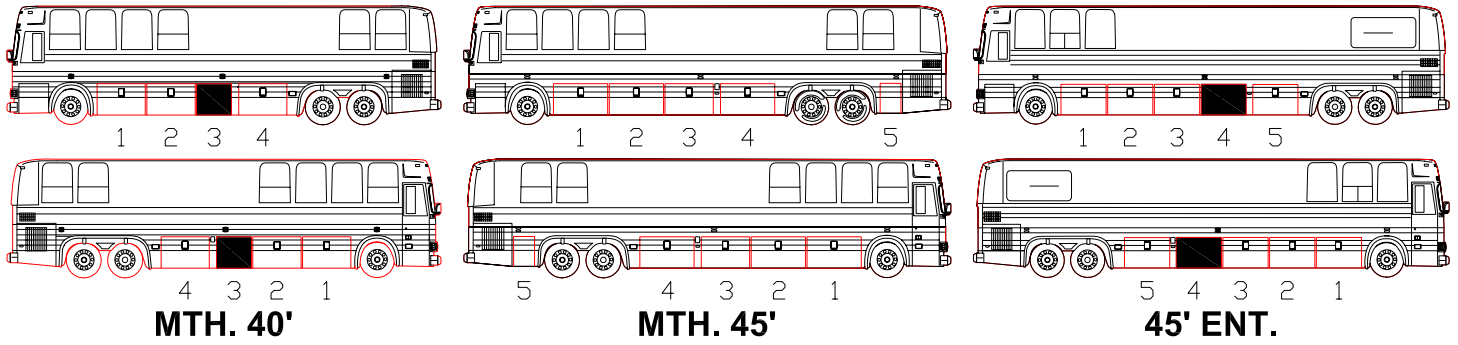


EXTERIOR VIEW

NOTE:
 -SMALL LUGGAGE DOOR FOR MTH 40'
 -SMALL LUGGAGE DOOR FOR 45' ENT.

TOTAL PERFORATED AREA: 1.60 f ²	EFF : L-685		DOOR ASSY ONLY IN SERVICE PART	N.A.
	PRIOR: V-6258			
DATE: 98-03	WITH INSULATION		OPTION LIST	481854
REV. :	WITHOUT INSULATION X			

PREVOST XL SERIES

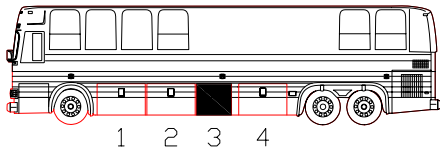


EXTERIOR VIEW

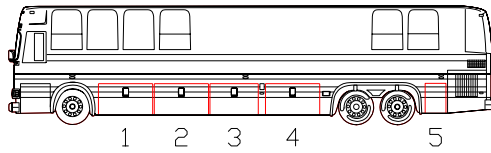
NOTE:
 -SMALL LUGGAGE DOOR FOR MTH 40'
 -SMALL LUGGAGE DOOR FOR 45' ENT.

TOTAL PERFORATED AREA: 1.00 f ²	EFF : L-685	DOOR ASSY ONLY IN SERVICE PART	N.A.
	PRIOR: V-6258		
DATE: 98-03	WITH INSULATION	OPTION LIST	481855
REV. :	WITHOUT INSULATION X		

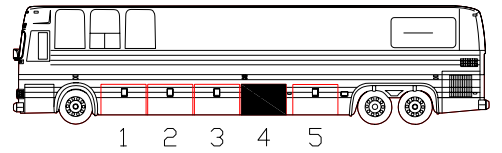
PREVOST XL SERIES



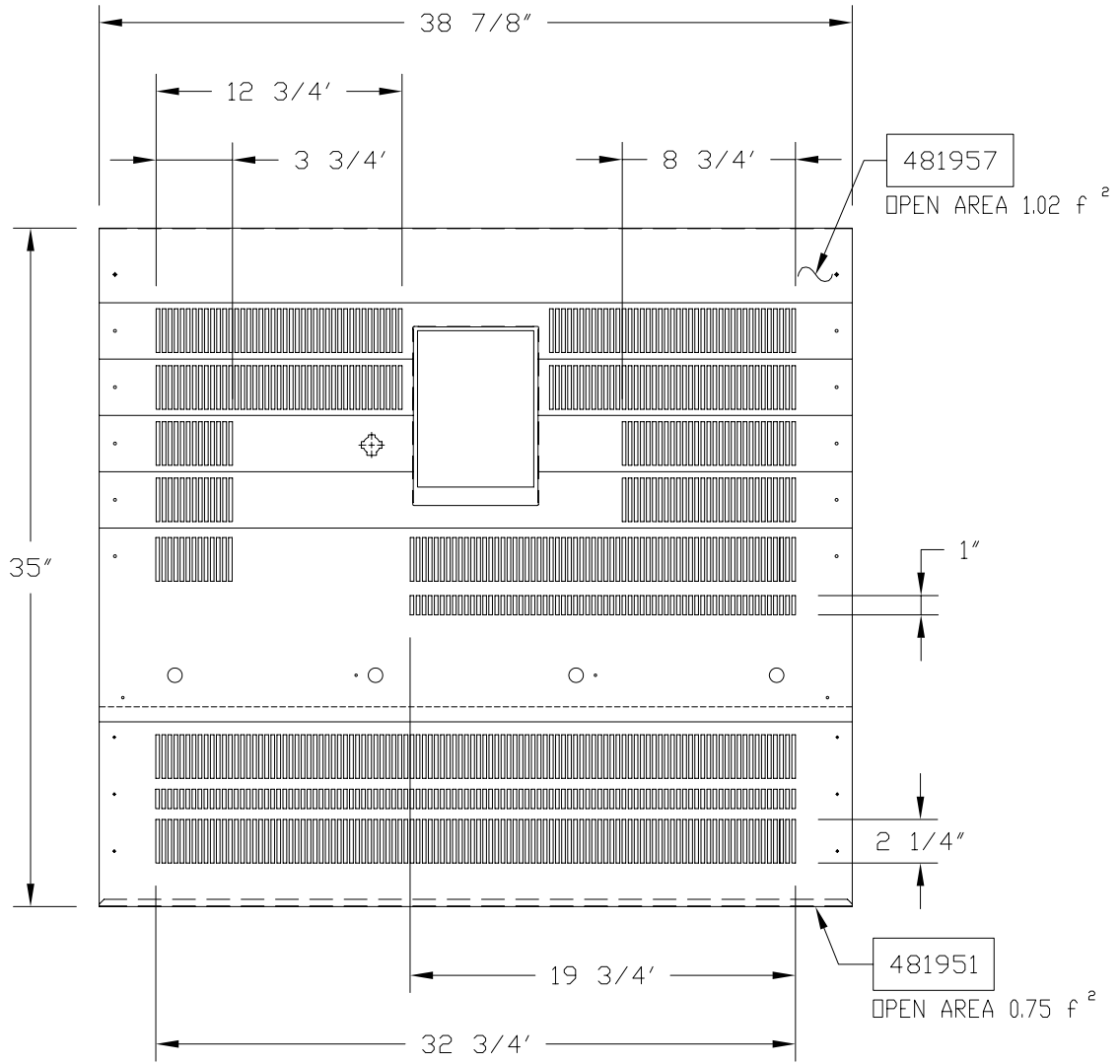
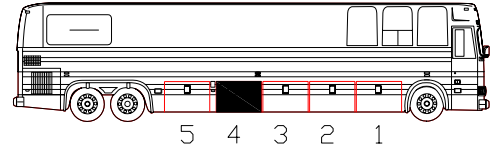
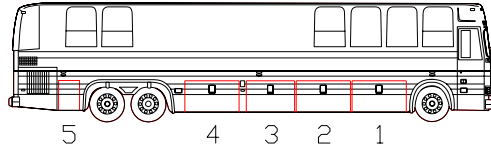
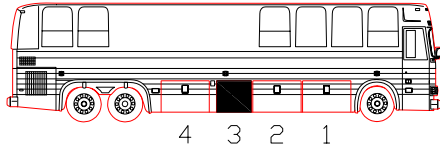
MTH. 40'



MTH. 45'



45' ENT.



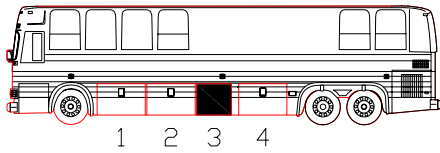
EXTERIOR VIEW

NOTE:

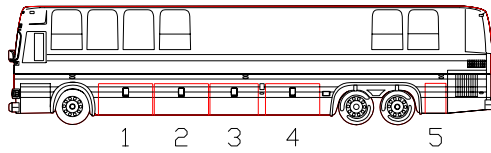
- SMALL LUGGAGE DOOR FOR MTH 40'
- SMALL LUGGAGE DOOR FOR 45' ENT.

TOTAL PERFORATED AREA: 1.77 f ²	EFF : E-652		DOOR ASSY ONLY IN SERVICE PART	N.A.
	PRIOR: V-6258			
DATE: 98-03	WITH INSULATION		OPTION LIST	481963
REV. :	WITHOUT INSULATION	X		

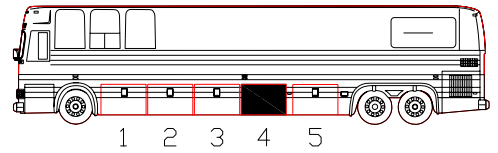
PREVOST XL SERIES



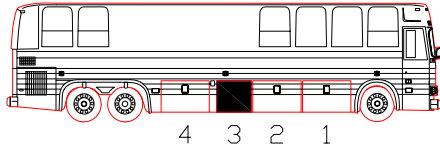
1 2 3 4



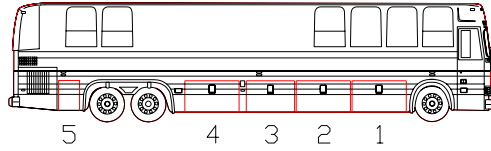
1 2 3 4 5



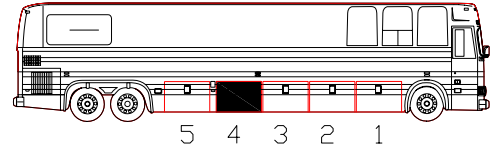
1 2 3 4 5



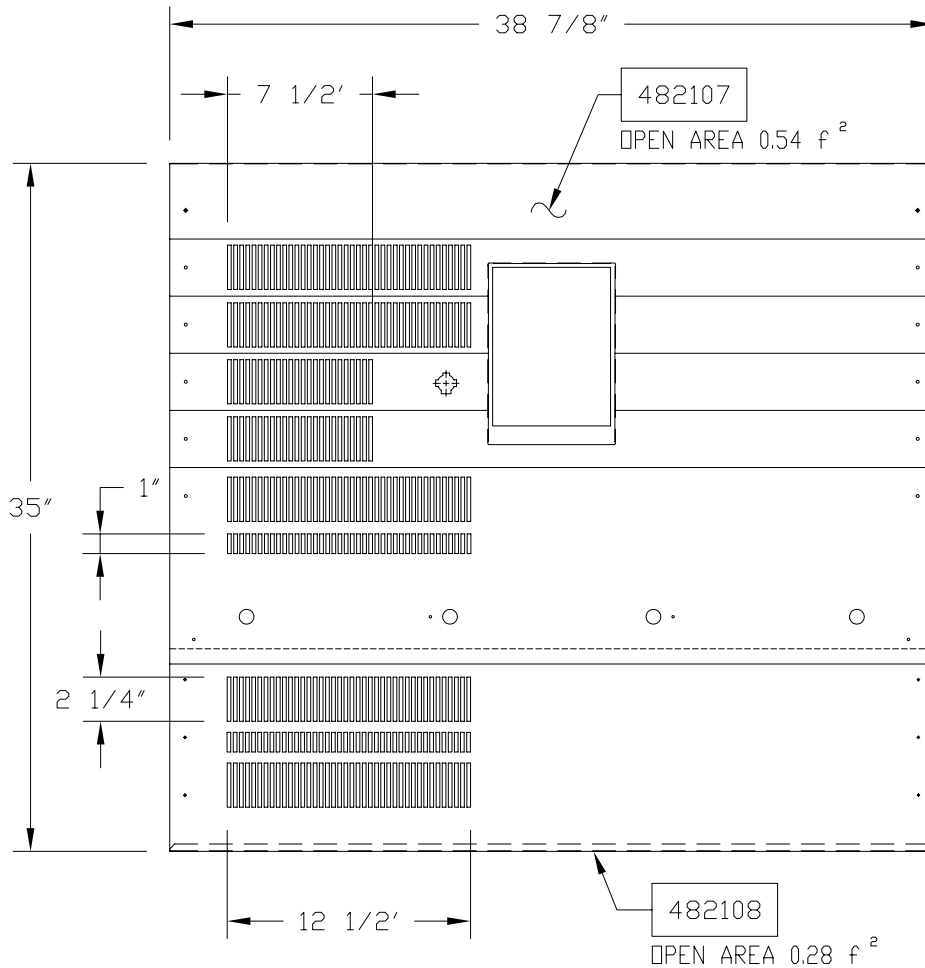
MTH. 40'



MTH. 45'



45' ENT.



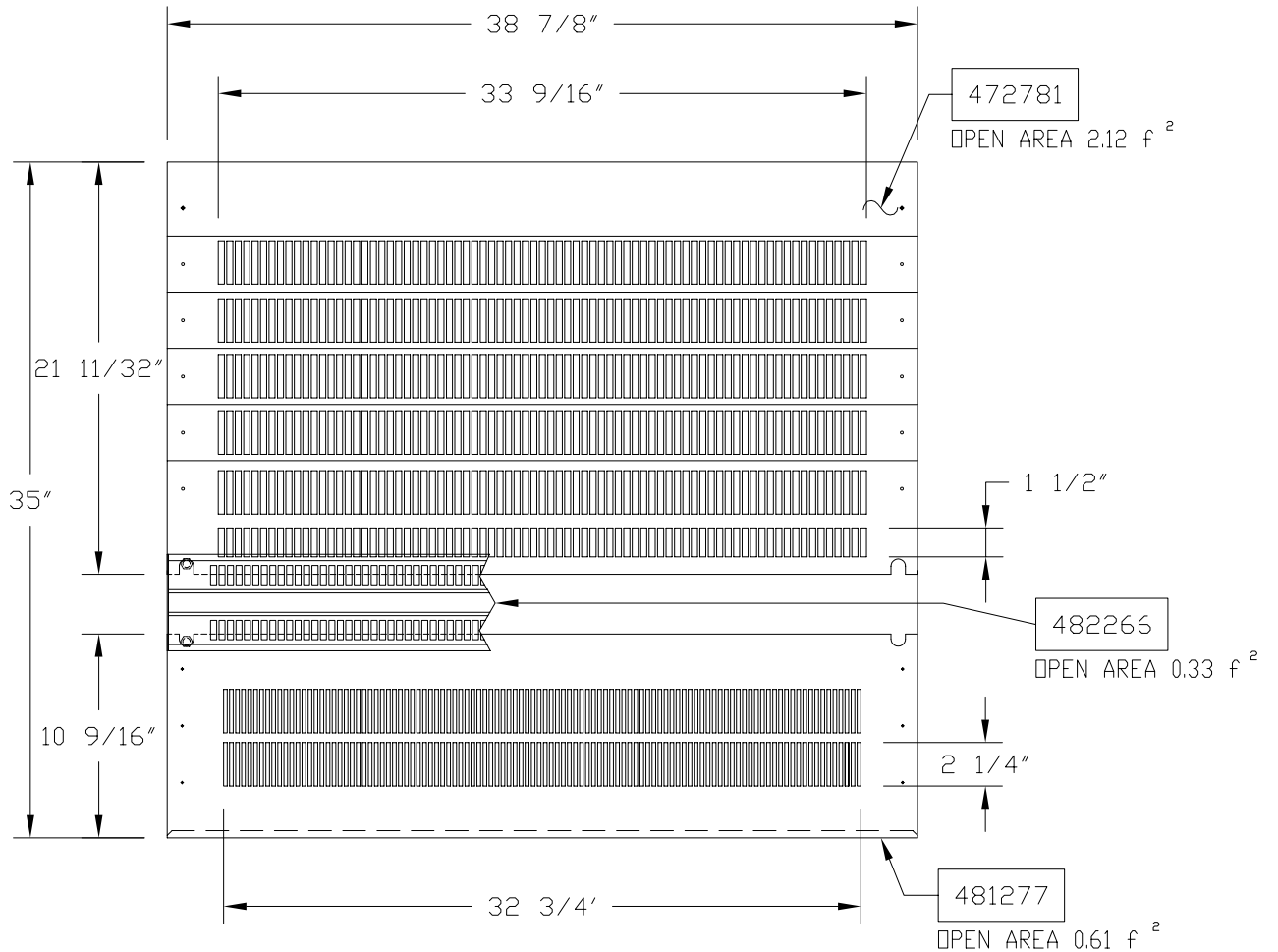
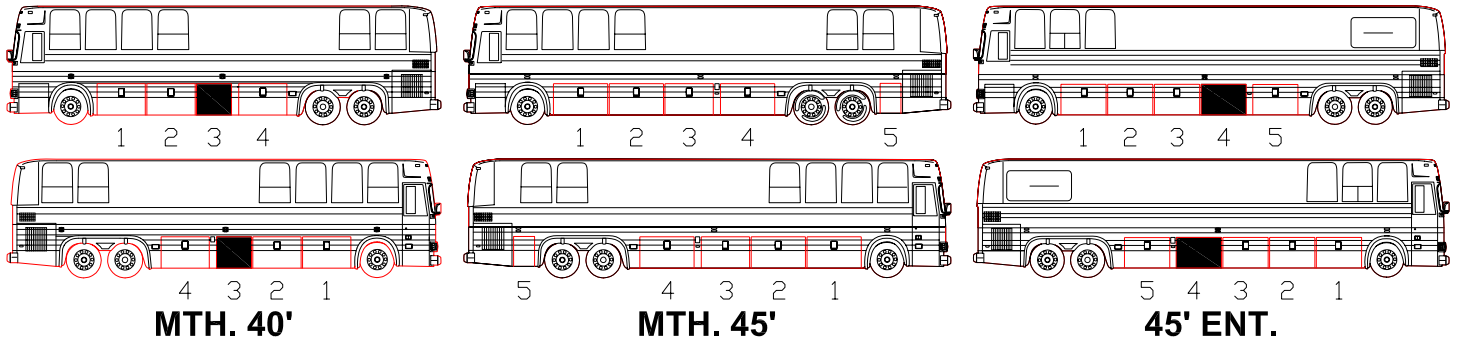
EXTERIOR VIEW

NOTE:

- SMALL LUGGAGE DOOR FOR MTH 40'
- SMALL LUGGAGE DOOR FOR 45' ENT.

TOTAL PERFORATED AREA: 0.82 f ²	EFF : E-652	DOOR ASSY ONLY IN SERVICE PART	N.A.
	PRIOR: V-6258		
DATE: 98-03	WITH INSULATION	OPTION LIST	482106
REV. :	WITHOUT INSULATION X		

PREVOST XL SERIES



EXTERIOR VIEW

NOTE:

- SMALL LUGGAGE DOOR FOR MTH 40'
- SMALL LUGGAGE DOOR FOR 45' ENT.

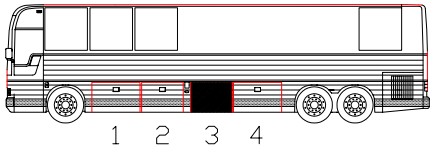
PROTECTOR NOT INCLUDED

TOTAL PERFORATED AREA:

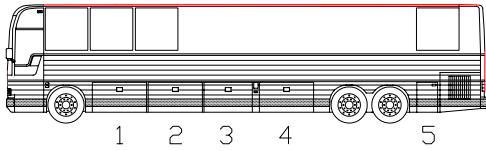
W/O PROTECTOR: 2.73 f²
 W/ PROTECTOR: 3.06 f²

EFF : E-652	DOOR ASSY ONLY IN SERVICE PART	482220
PRIOR: V-6258		
DATE: 98-03	WITH INSULATION	OPTION LIST
REV. :	WITHOUT INSULATION X	

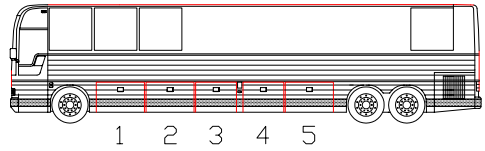
PREVOST® *Le Mirage XL*



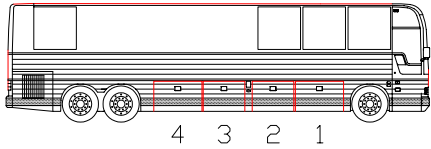
1 2 3 4



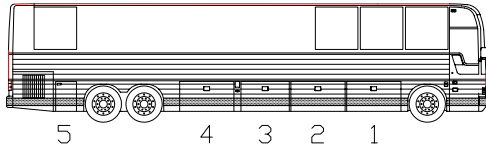
1 2 3 4 5



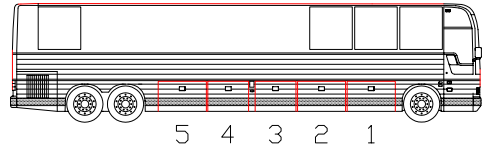
1 2 3 4 5



4 3 2 1
MTH. 40'



5 4 3 2 1
MTH. 45'



5 4 3 2 1
45' ENT.

38" BAGGAGE DOOR

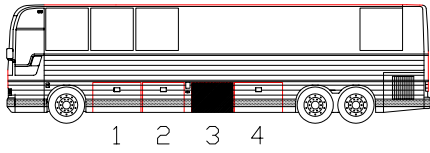
OPTION LIST	UPPER PANEL	LOWER PANEL	PERFORATED AREA F ²	INSULATION	
483319	474768	474767	NO	X	

DOTTED AREAS ARE NOT IN PRODUCTION AT TIME OF PRINTING.

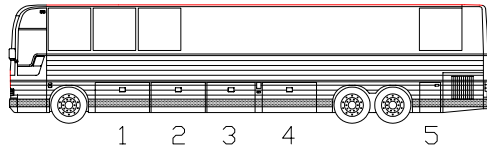
DATE: 00-07

REV.:

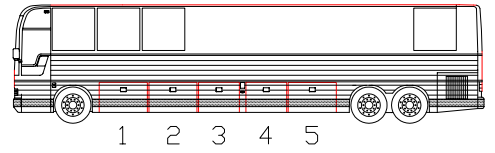
PREVOST *Le Mirage XL*



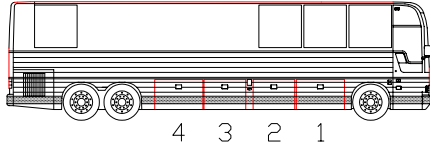
1 2 3 4



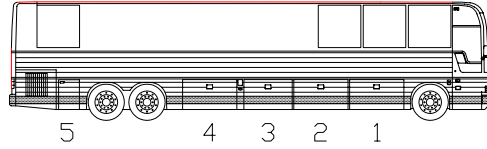
1 2 3 4 5



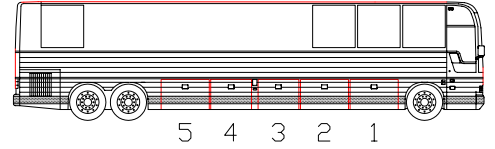
1 2 3 4 5



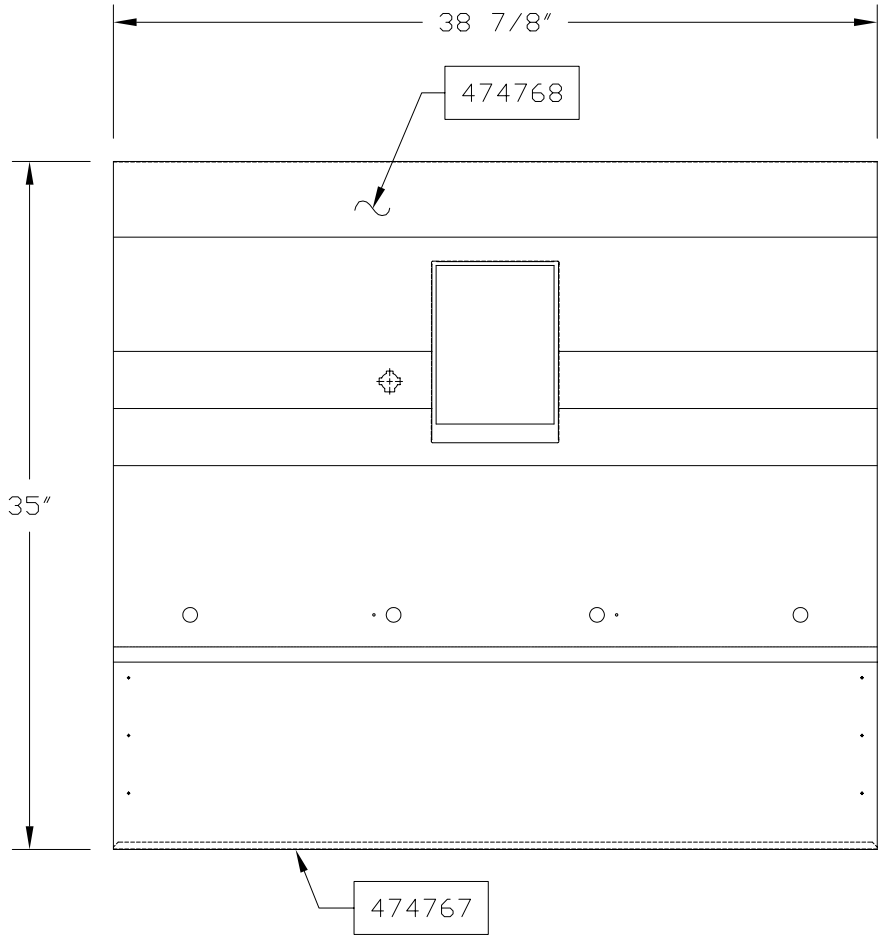
MTH. 40'



MTH. 45'



45' ENT.



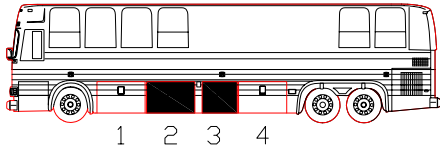
EXTERIOR VIEW

NOTE:

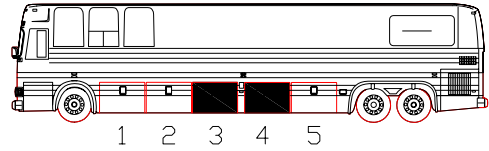
- LARGE LUGGAGE DOOR FOR MTH 40'
- SMALL LUGGAGE DOOR FOR MTH 45' ENT.
- WITH INTERIOR PANEL #483324

TOTAL PERFORATED AREA: 0.00 f ²	EFF : Y-7046		DOOR ASSY ONLY IN SERVICE PART	N.A.
	PRIOR:			
DATE: 00-07	WITH INSULATION	X	OPTION LIST	483319
REV. :	WITHOUT INSULATION			

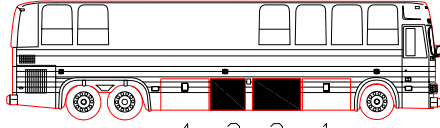
PREVOST® XL SERIES



1 2 3 4



1 2 3 4 5



4 3 2 1
MTH. 40'



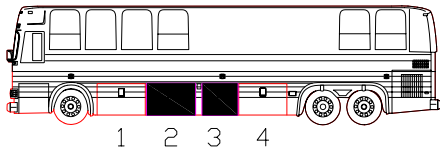
5 4 3 2 1
45' ENT.

45" BAGGAGE DOORS

OPTION LIST	UPPER PANEL	LOWER PANEL	PERFORATED AREA F ²	INSULATION	
482481	482457	482490	NO	X	
482705	482703	482702	0.61		
482706	482457	482704	0.89	X	
482709	482708	482704	2.39		
482712	482711	482490	0.70		
482718	482457	482717	0.46	X	
482721	482720	482490	0.71	X	
482767	482711	482717	1.16		
482790	482457	473642	0.19	X	
482804	482457	482803	0.23	X	
482823	482822	482704	2.39		
483019	482457	482704	0.89		
483020	482822	482490	1.52		
4745A	482821	N.A.	0.76		
4745B	483213	N.A.	0.56		
4745C	N.A.	483774	0.52		

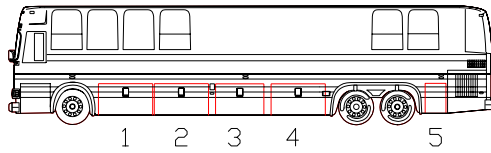
DOTTED AREAS ARE NOT IN PRODUCTION AT TIME OF PRINTING.	DATE: 04-07	REV.: D
--	--------------------	----------------

PREVOST XL SERIES



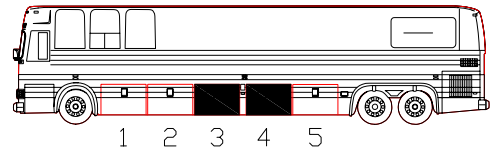
1 2 3 4

MTH. 40'



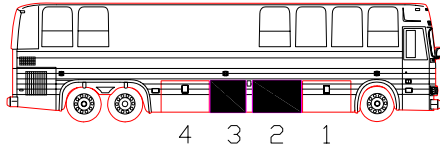
1 2 3 4 5

MTH. 45'

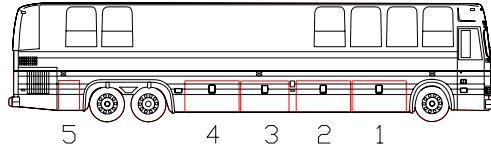


1 2 3 4 5

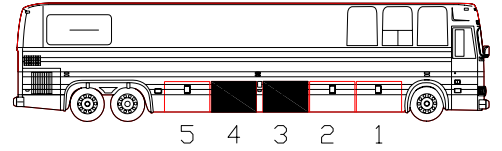
45' ENT.



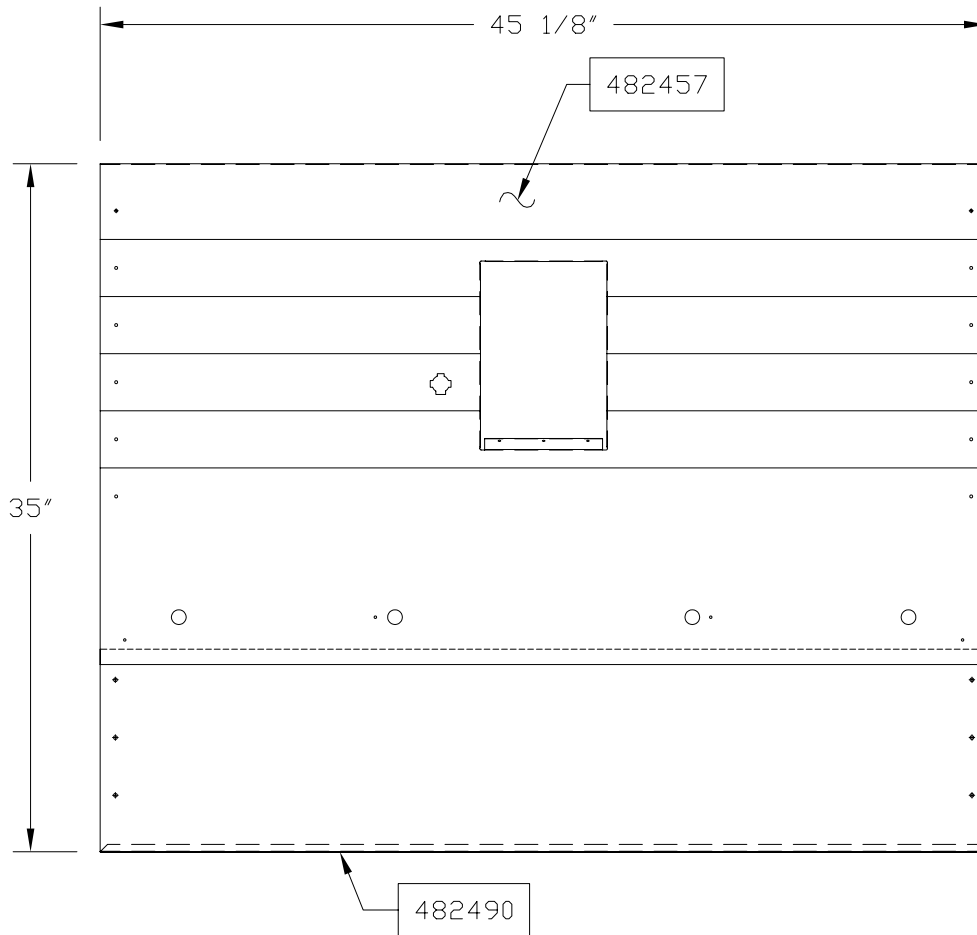
4 3 2 1



5 4 3 2 1



5 4 3 2 1



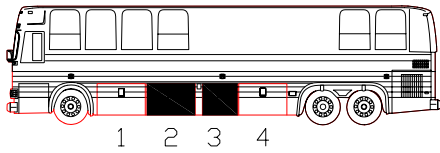
EXTERIOR VIEW

NOTE:

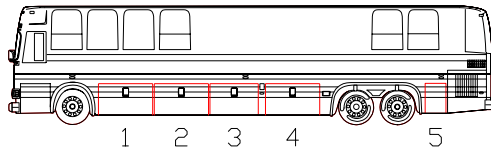
- SMALL LUGGAGE DOOR FOR MTH 40'
- SMALL LUGGAGE DOOR FOR 45' ENT.

TOTAL PERFORATED AREA: 0000 f ²	EFF : V-6258	DOOR ASSY ONLY IN SERVICE PART	482791
	PRIOR: Y-7045		
DATE: 99-12	WITH INSULATION	OPTION LIST	482481
REV. : A	WITHOUT INSULATION		

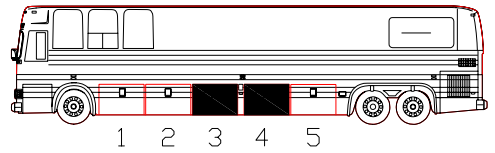
PREVOST XL SERIES



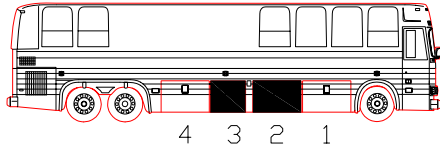
1 2 3 4



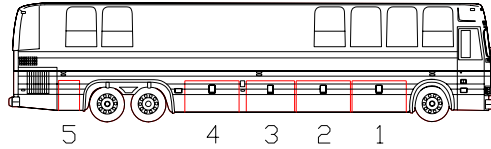
1 2 3 4 5



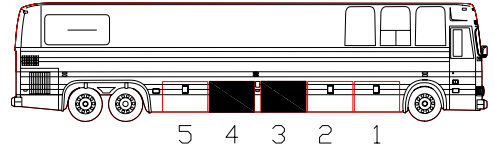
1 2 3 4 5



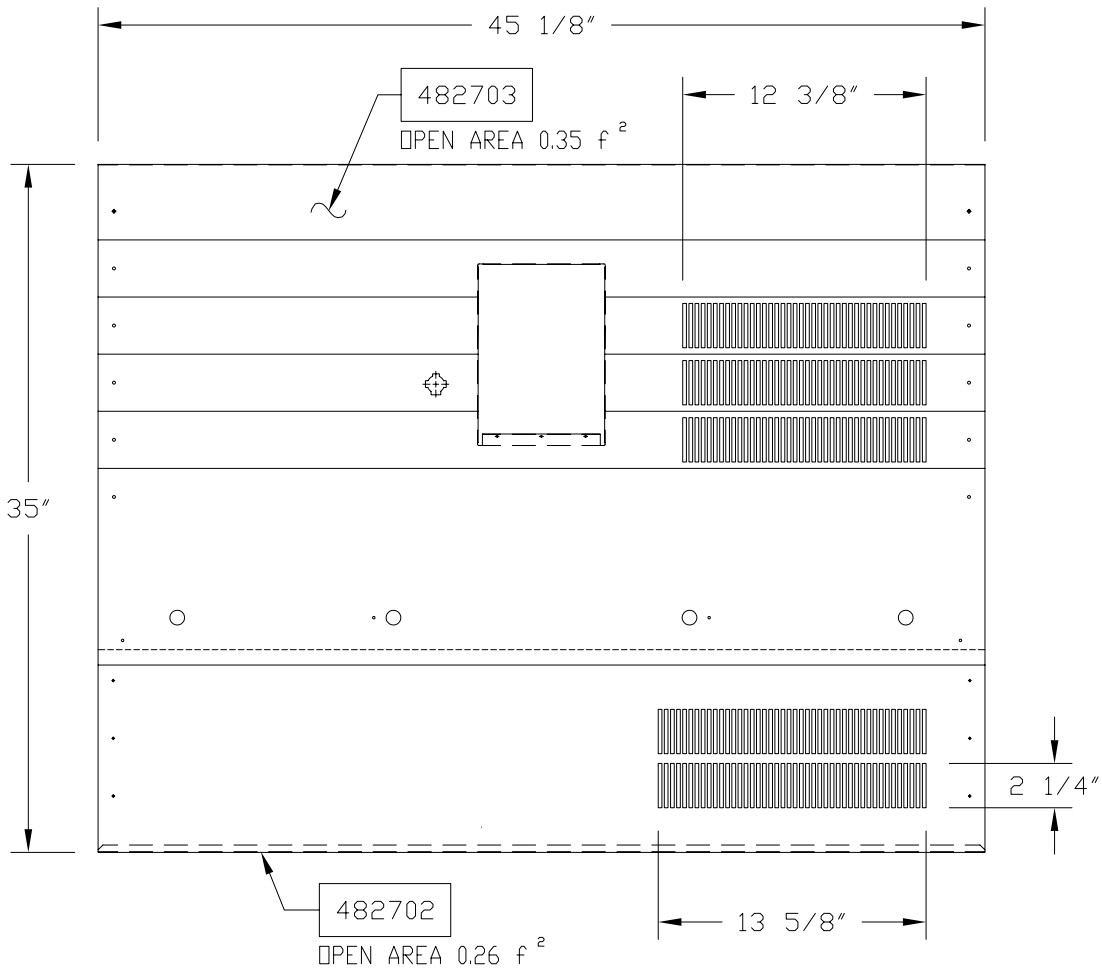
MTH. 40'



MTH. 45'



45' ENT.



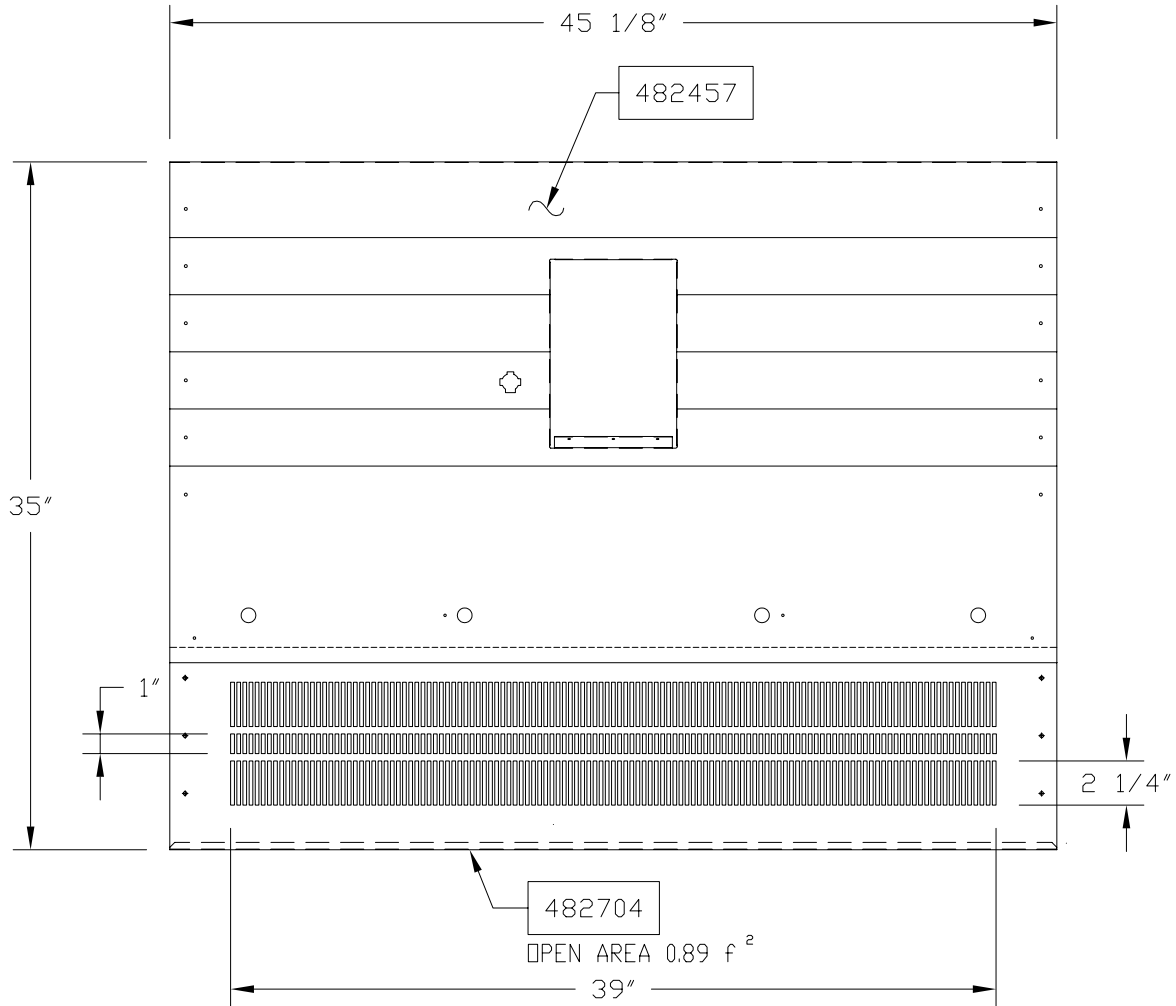
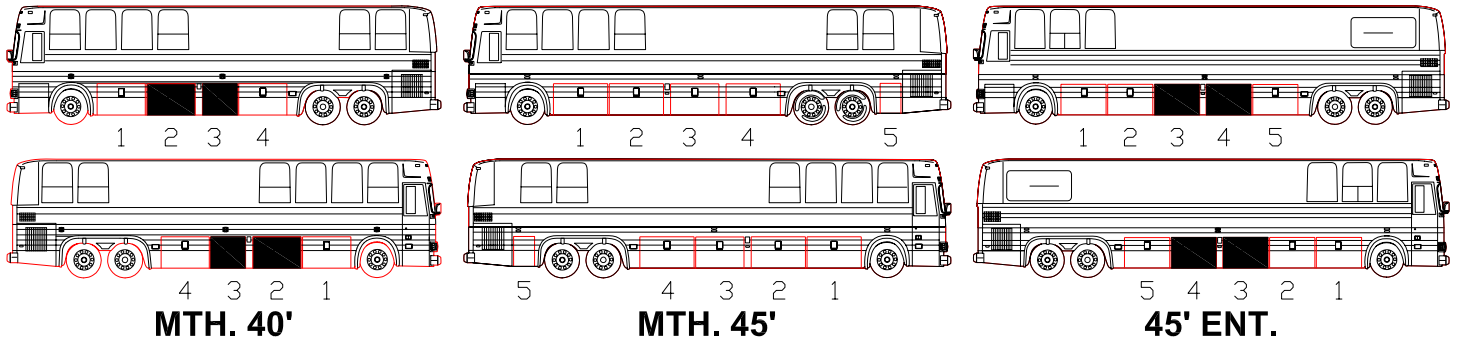
EXTERIOR VIEW

NOTE:

- SMALL LUGGAGE DOOR FOR MTH 40'
- SMALL LUGGAGE DOOR FOR 45' ENT.

TOTAL PERFORATED AREA: 0.61 f ²	EFF : V-6258	DOOR ASSY ONLY IN SERVICE PART	N.A.
	PRIOR: Y-7045		
DATE: 99-12	WITH INSULATION	OPTION LIST	482705
REV. : A	WITHOUT INSULATION X		

PREVOST XL SERIES

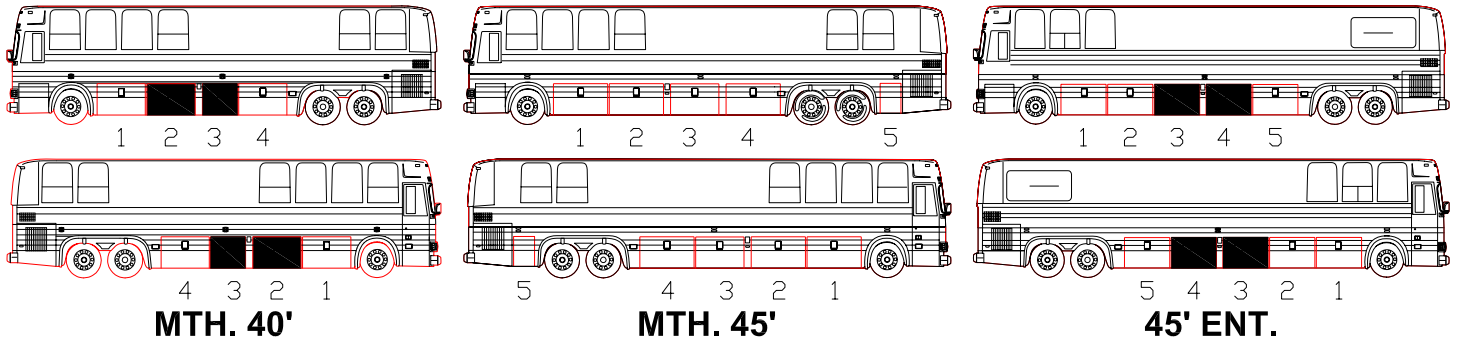


EXTERIOR VIEW

NOTE:
 -SMALL LUGGAGE DOOR FOR MTH 40'
 -SMALL LUGGAGE DOOR FOR 45' ENT.

TOTAL PERFORATED AREA: 0.89 f ²	EFF : V-6258		DOOR ASSY ONLY IN SERVICE PART	N.A.
	PRIOR: Y-7045			
DATE: 99-12	WITH INSULATION	X	OPTION LIST	482706
REV.: A	WITHOUT INSULATION			

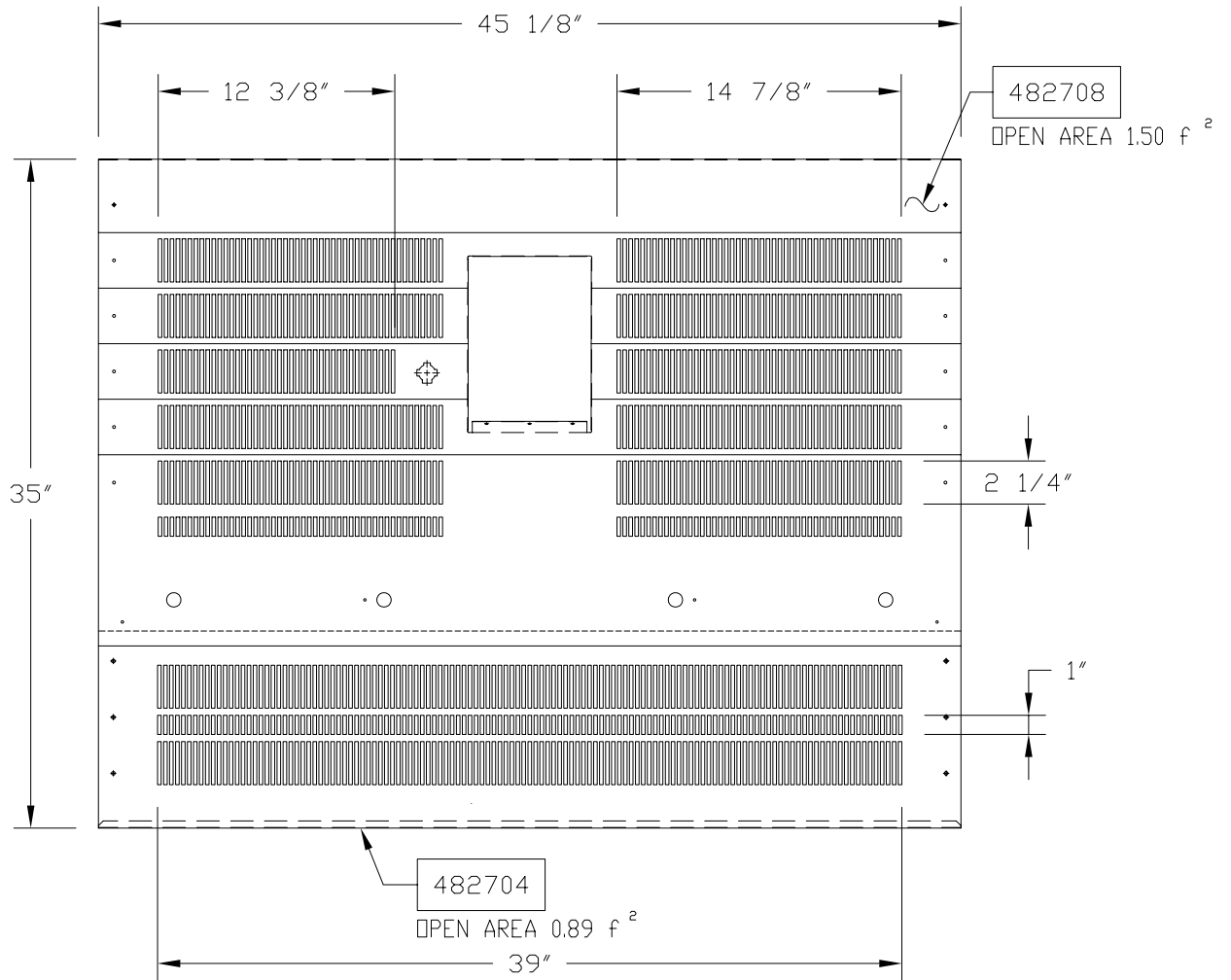
PREVOST XL SERIES



MTH. 40'

MTH. 45'

45' ENT.



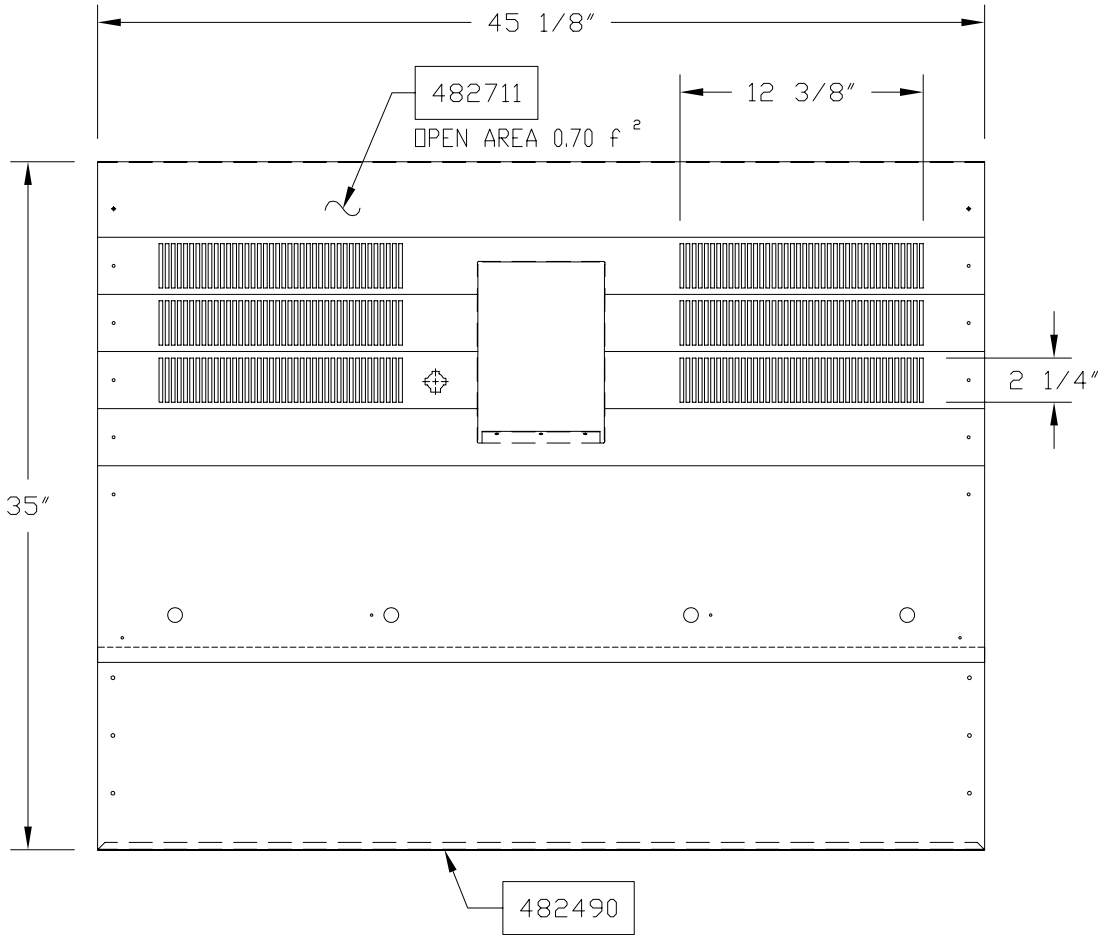
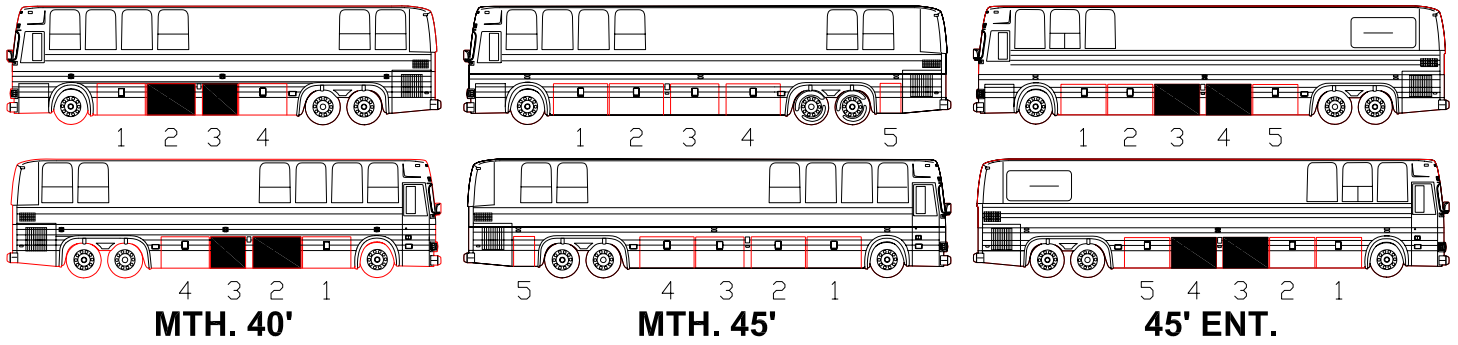
EXTERIOR VIEW

NOTE:

- SMALL LUGGAGE DOOR FOR MTH 40'
- SMALL LUGGAGE DOOR FOR 45' ENT.

TOTAL PERFORATED AREA: 2.39 f ²	EFF : V-6258	DOOR ASSY ONLY IN SERVICE PART	N.A.
	PRIOR: Y-7045		
DATE: 99-12	WITH INSULATION	OPTION LIST	482709
REV. : A	WITHOUT INSULATION X		

PREVOST XL SERIES



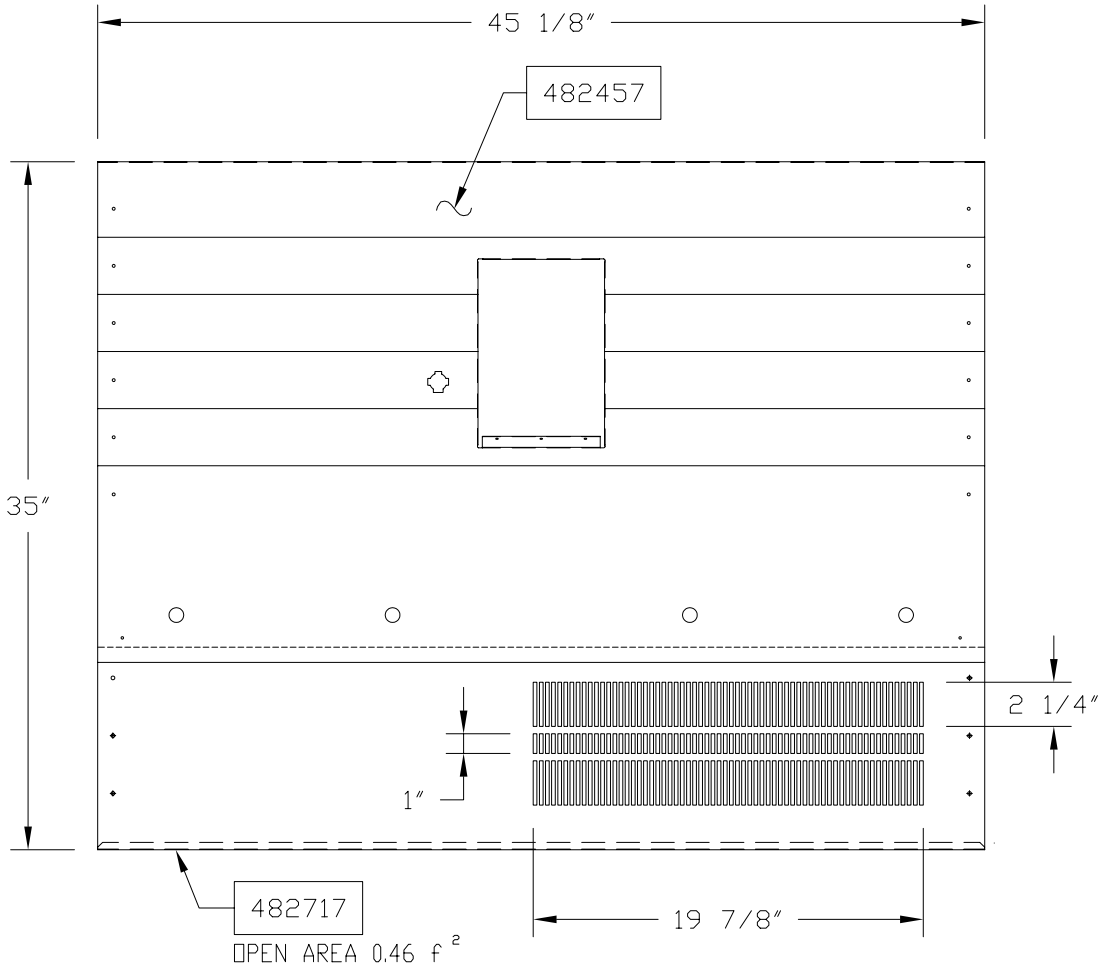
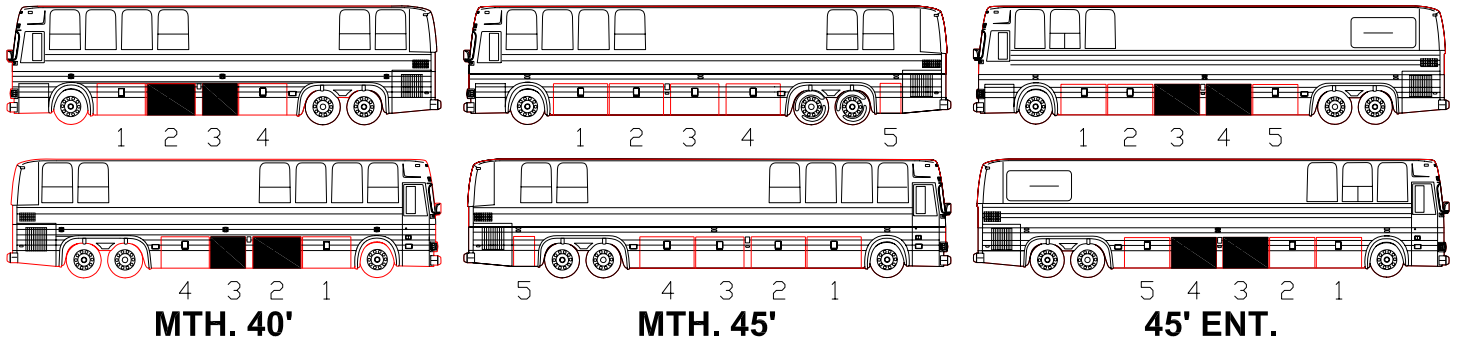
EXTERIOR VIEW

NOTE:

- SMALL LUGGAGE DOOR FOR MTH 40'
- SMALL LUGGAGE DOOR FOR 45' ENT.

TOTAL PERFORATED AREA: 0.70 f ²	EFF : V-6258	DOOR ASSY ONLY IN SERVICE PART	N.A.
	PRIOR: Y-7045		
DATE: 99-12	WITH INSULATION	OPTION LIST	482712
REV. : A	WITHOUT INSULATION X		

PREVOST XL SERIES



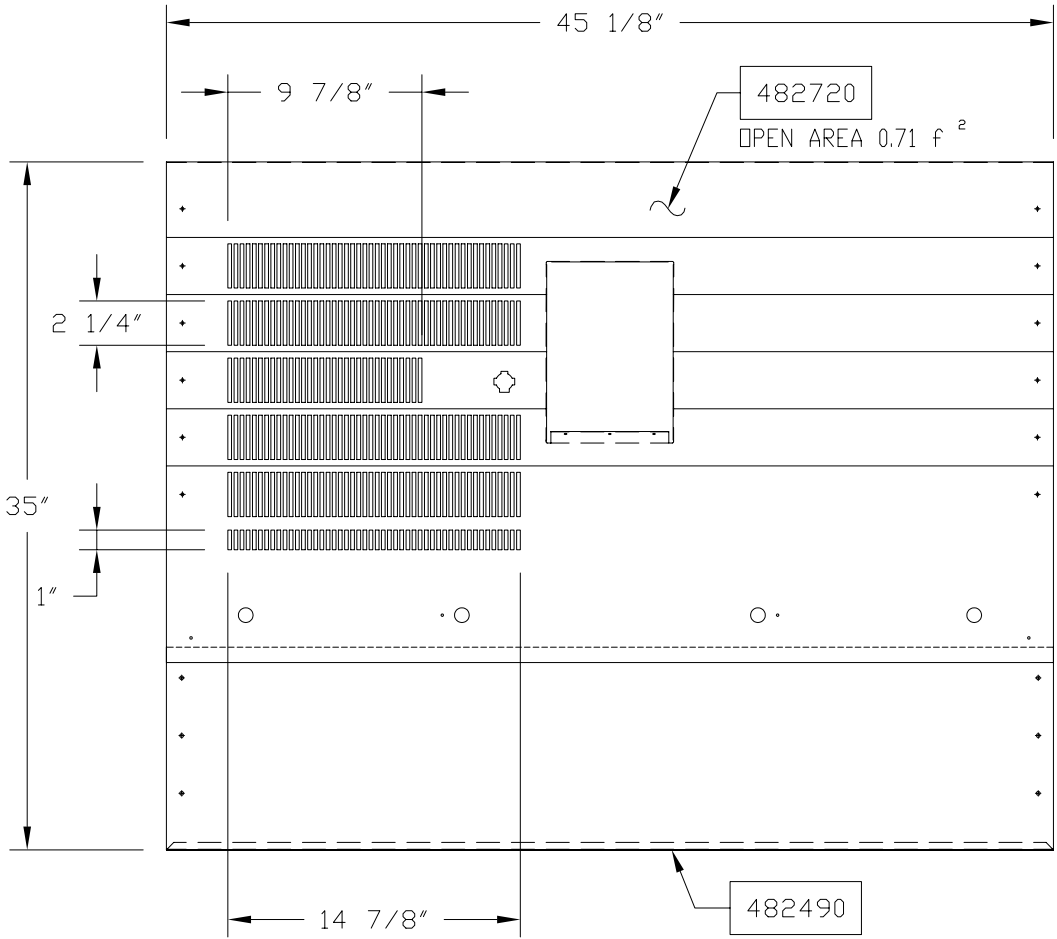
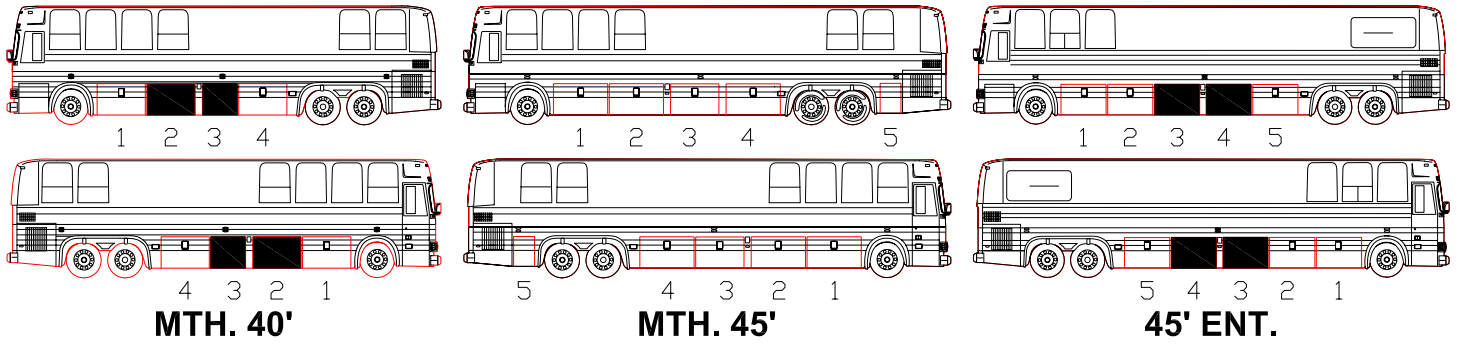
EXTERIOR VIEW

NOTE:

- SMALL LUGGAGE DOOR FOR MTH 40'
- SMALL LUGGAGE DOOR FOR 45' ENT.

TOTAL PERFORATED AREA: 0.46 f ²	EFF : V-6258		DOOR ASSY ONLY IN SERVICE PART	N.A.
	PRIOR: Y-7045			
DATE: 99-12	WITH INSULATION	X	OPTION LIST	482718
REV. : A	WITHOUT INSULATION			

PREVOST XL SERIES



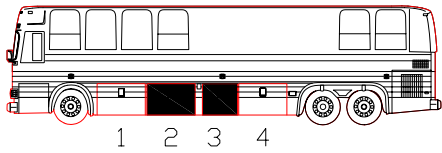
EXTERIOR VIEW

NOTE:

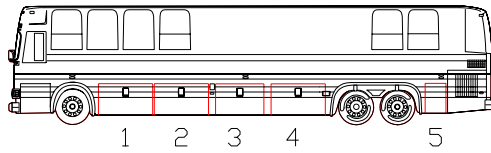
- SMALL LUGGAGE DOOR FOR MTH 40'
- SMALL LUGGAGE DOOR FOR 45' ENT.

TOTAL PERFORATED AREA: 0.71 f ²	EFF : V-6258		DOOR ASSY ONLY IN SERVICE PART	N.A.
	PRIOR: Y-7045			
DATE: 99-12	WITH INSULATION	X	OPTION LIST	482721
REV. : A	WITHOUT INSULATION			

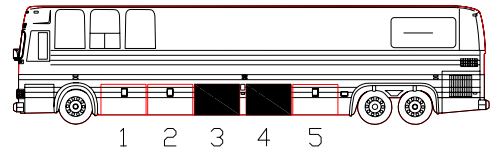
PREVOST XL SERIES



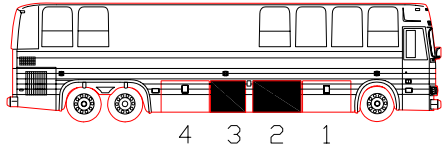
1 2 3 4



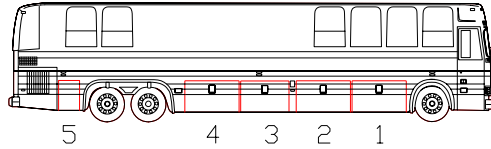
1 2 3 4 5



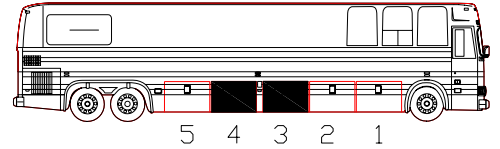
1 2 3 4 5



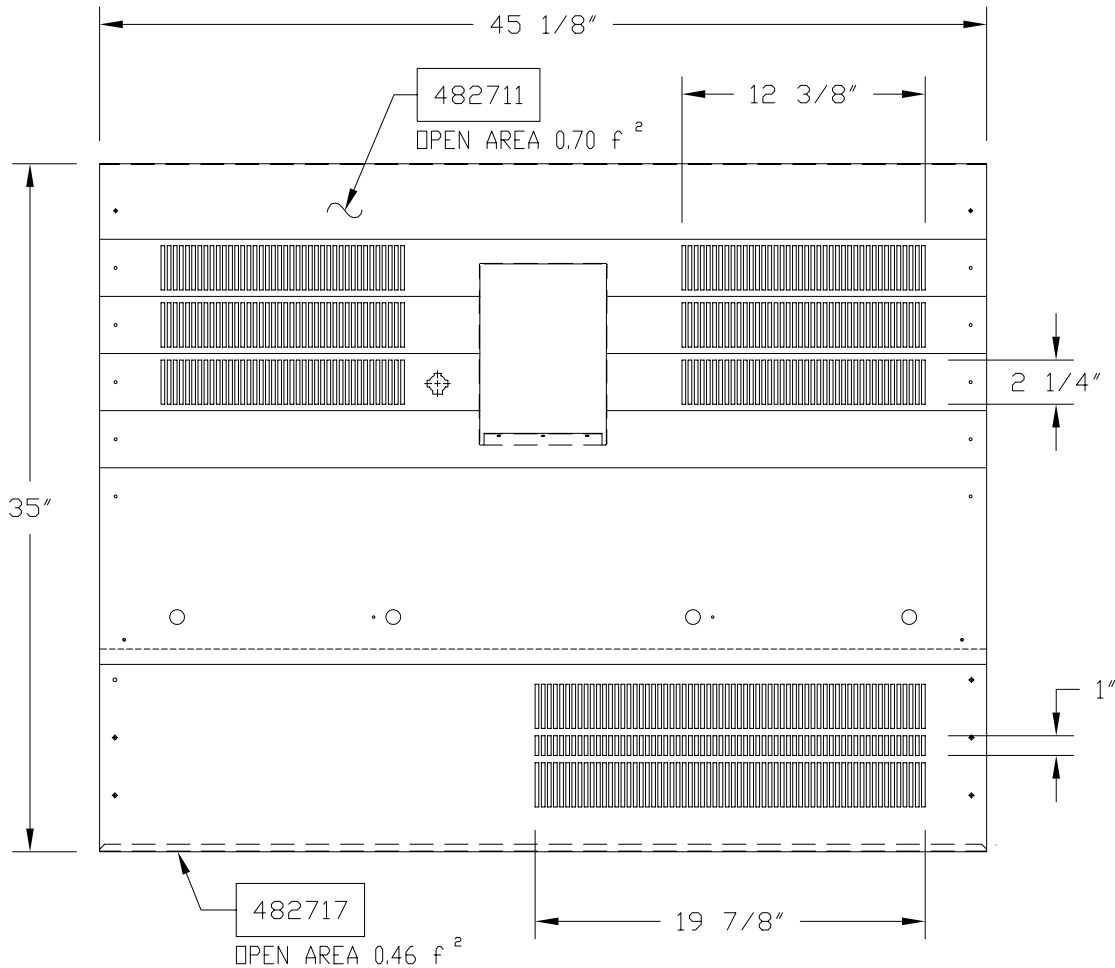
MTH. 40'



MTH. 45'



45' ENT.



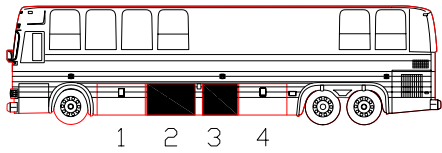
EXTERIOR VIEW

NOTE:

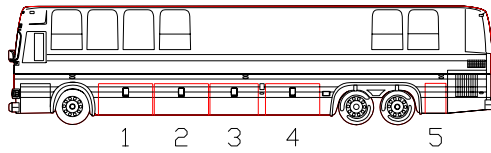
- SMALL LUGGAGE DOOR FOR MTH 40'
- SMALL LUGGAGE DOOR FOR 45' ENT.

TOTAL PERFORATED AREA: 1.16 f ²	EFF : V-6258		DOOR ASSY ONLY IN SERVICE PART	N.A.
	PRIOR: Y-7045			
DATE: 99-12	WITH INSULATION		OPTION LIST	482767
REV. : A	WITHOUT INSULATION	X		

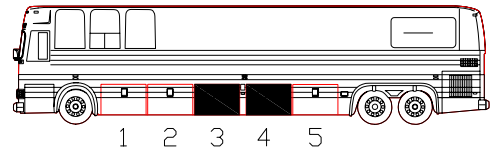
PREVOST XL SERIES



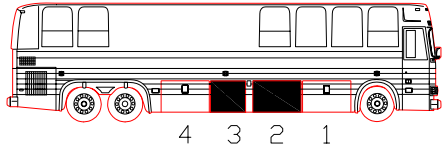
1 2 3 4



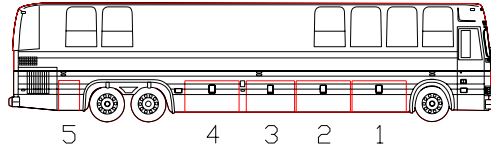
1 2 3 4 5



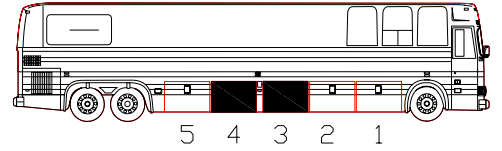
1 2 3 4 5



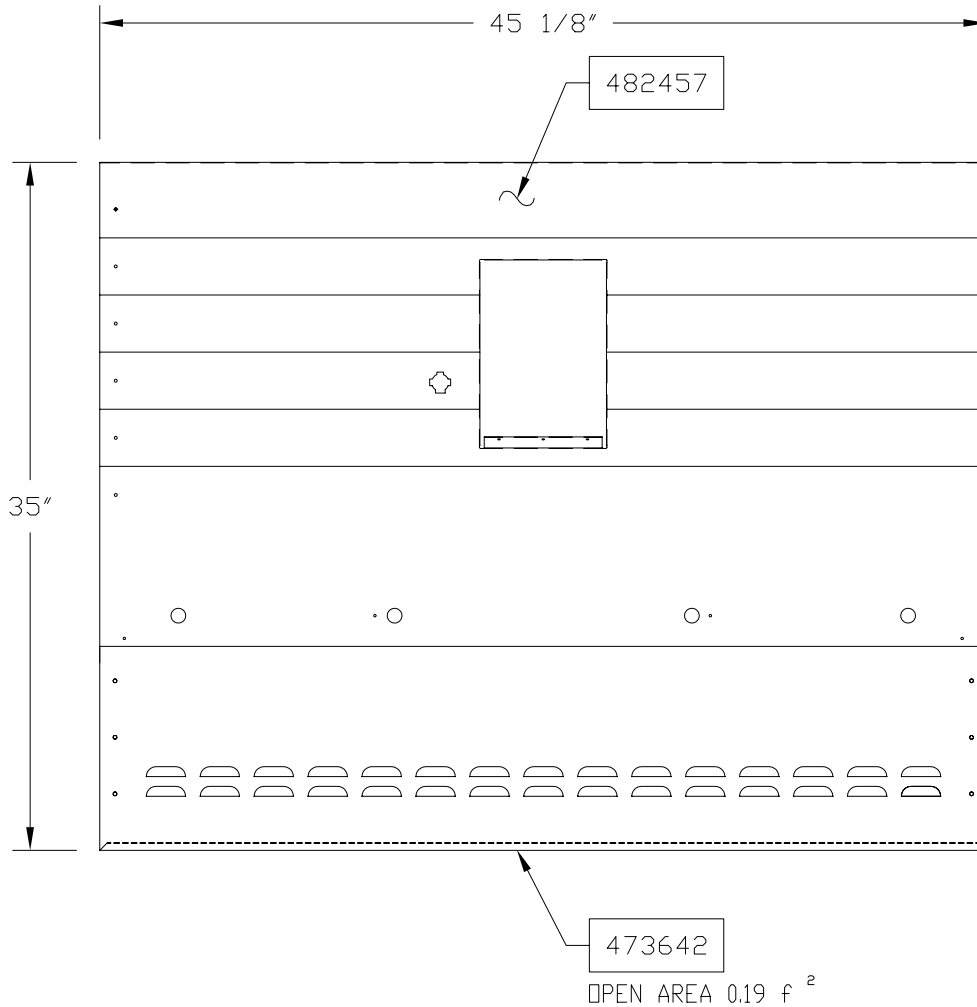
MTH. 40'



MTH. 45'



45' ENT.



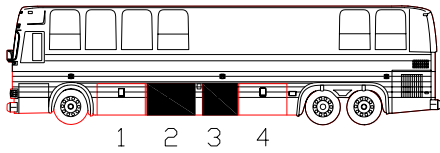
EXTERIOR VIEW

NOTE:

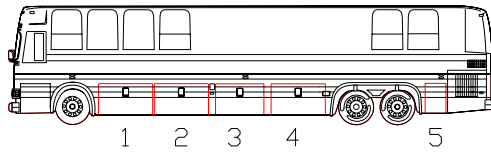
- SMALL LUGGAGE DOOR FOR MTH 40'
- SMALL LUGGAGE DOOR FOR 45' ENT.

TOTAL PERFORATED AREA: 0.19 f ²	EFF : V-6258	DOOR ASSY ONLY IN SERVICE PART	N.A.
	PRIOR: Y-7045		
DATE: 99-12	WITH INSULATION	OPTION LIST	482790
REV. : A	WITHOUT INSULATION X		

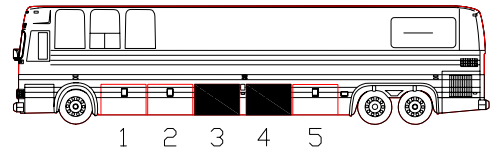
PREVOST XL SERIES



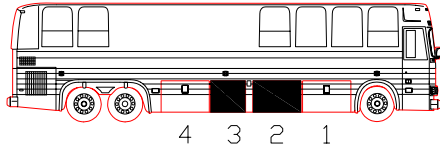
1 2 3 4



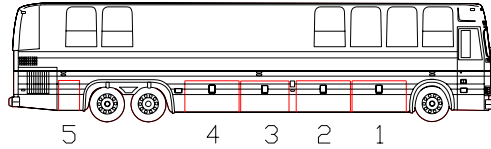
1 2 3 4 5



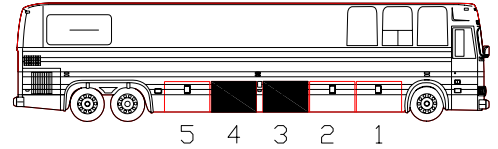
1 2 3 4 5



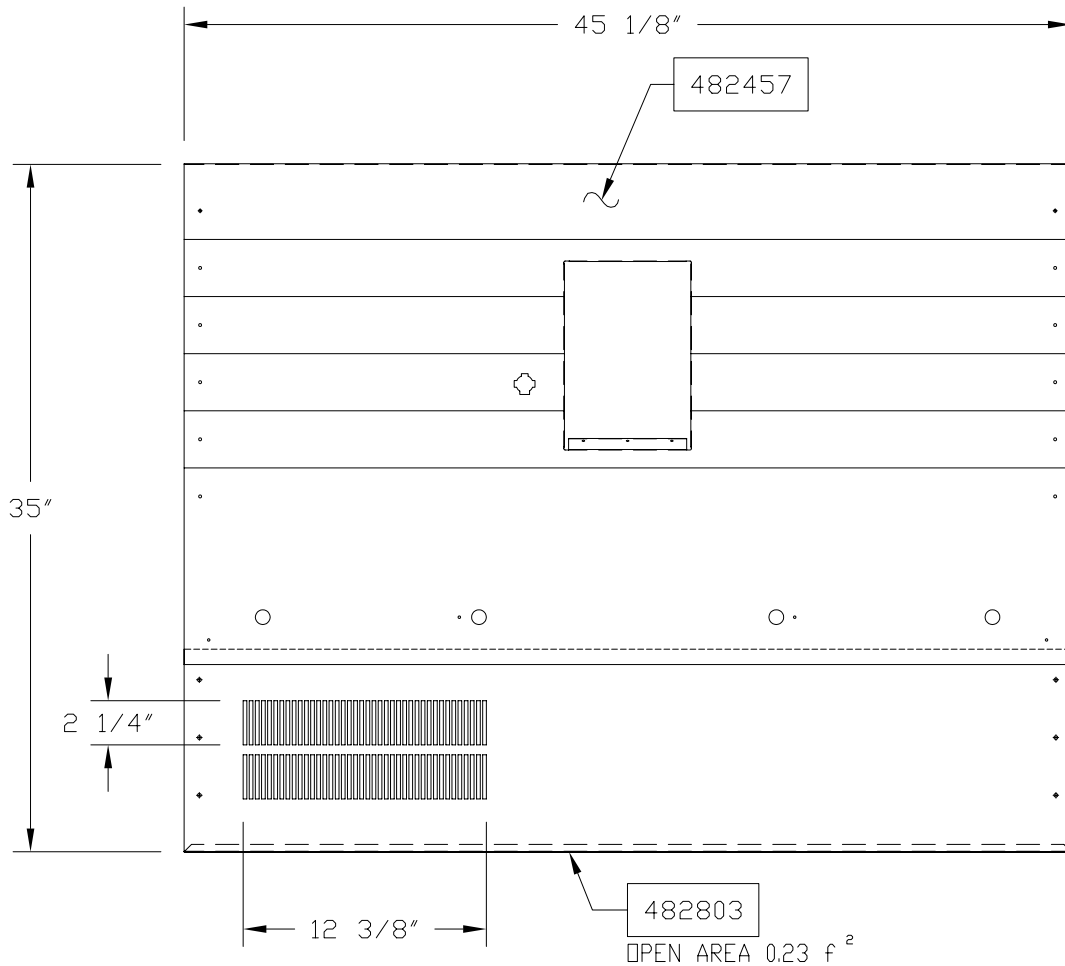
MTH. 40'



MTH. 45'



45' ENT.



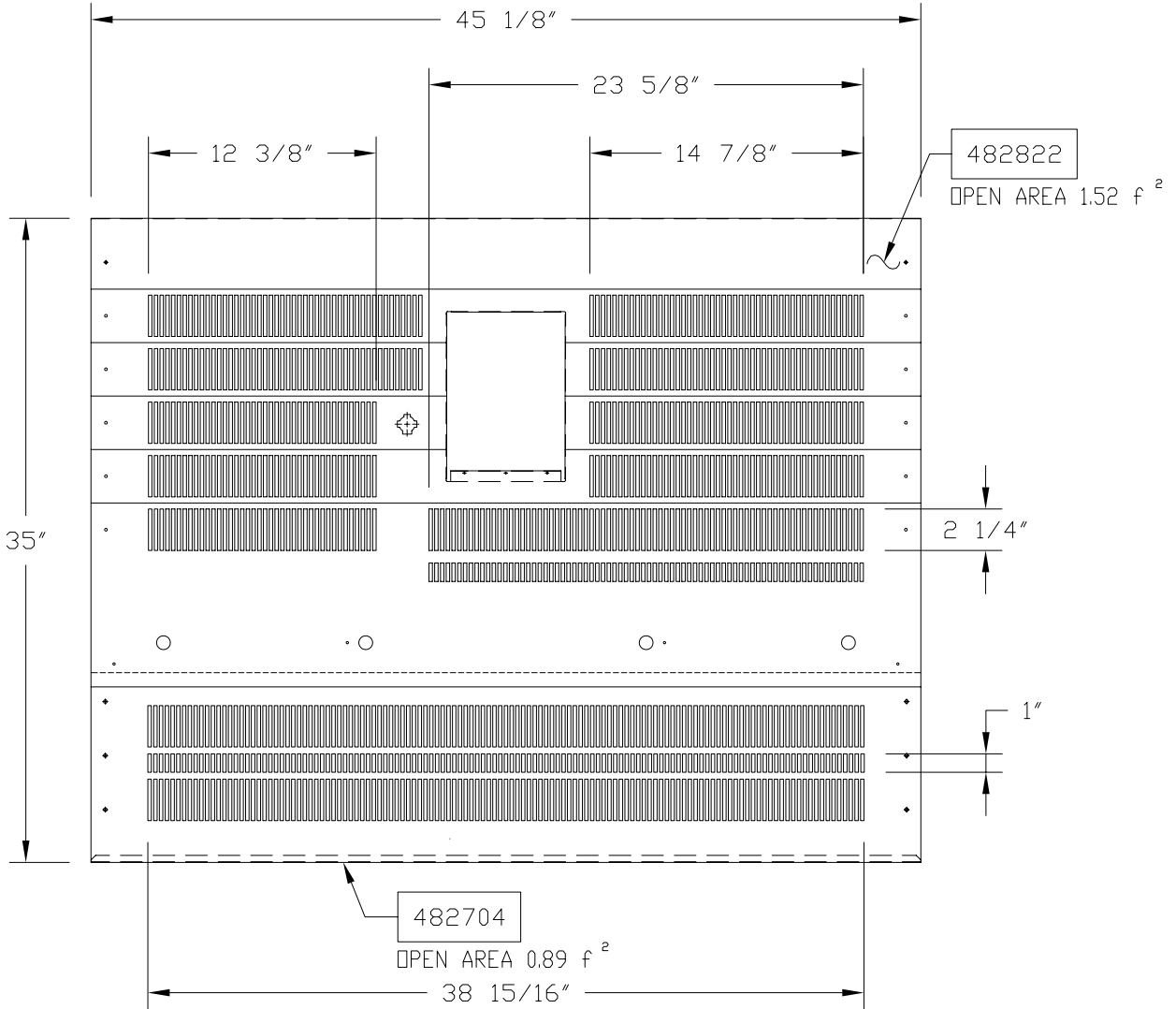
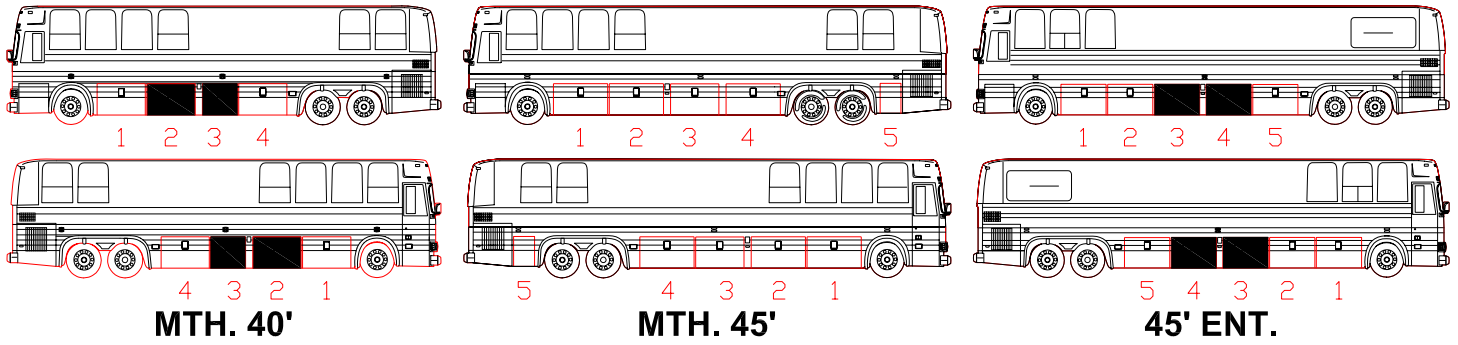
EXTERIOR VIEW

NOTE:

- SMALL LUGGAGE DOOR FOR MTH 40'
- SMALL LUGGAGE DOOR FOR 45' ENT.

TOTAL PERFORATED AREA: 0.23 f ²	EFF : V-6258		DOOR ASSY ONLY IN SERVICE PART	N.A.
	PRIOR: Y-7045			
DATE: 04-07	WITH INSULATION	X	OPTION LIST	482804
REV. : B	WITHOUT INSULATION			

PREVOST XL SERIES

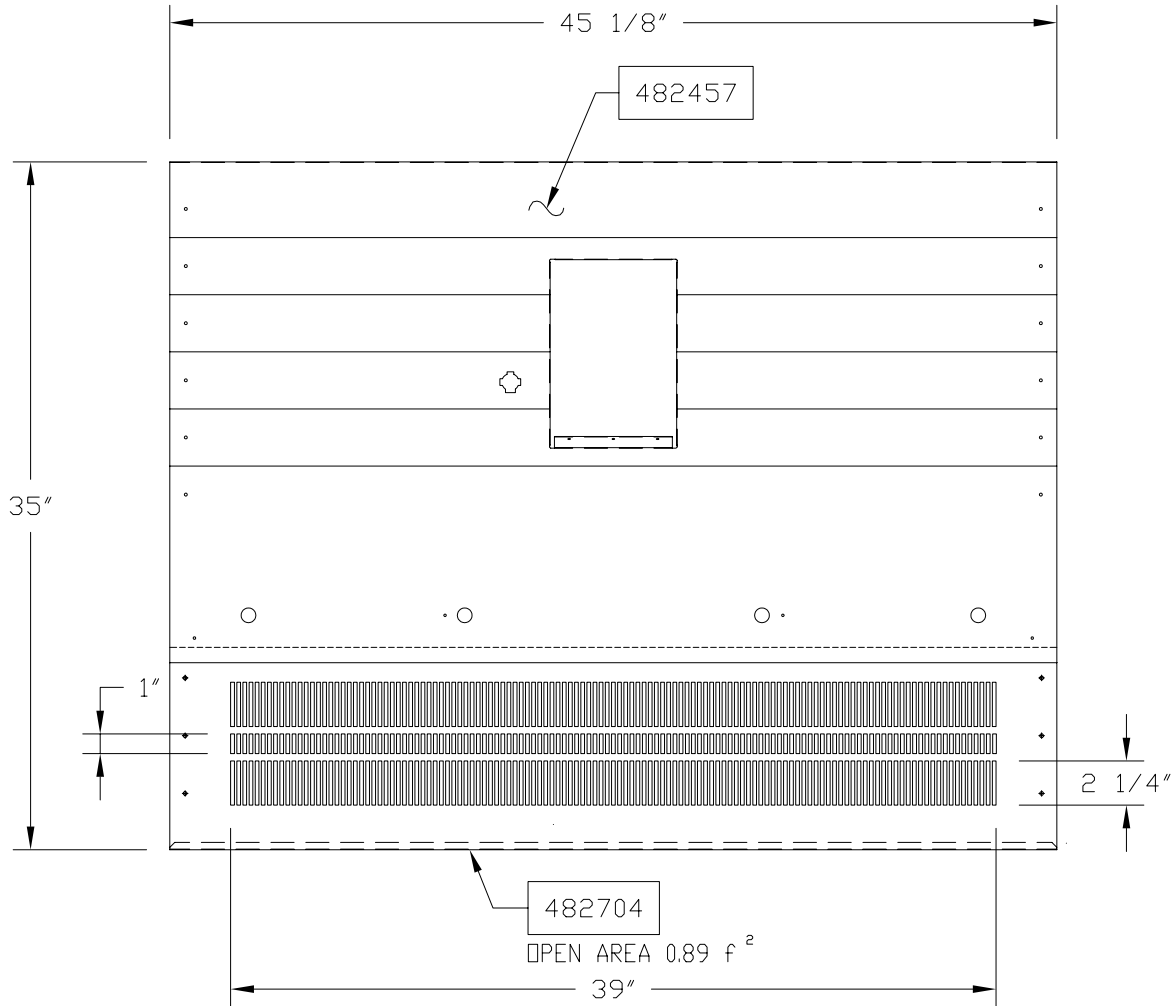
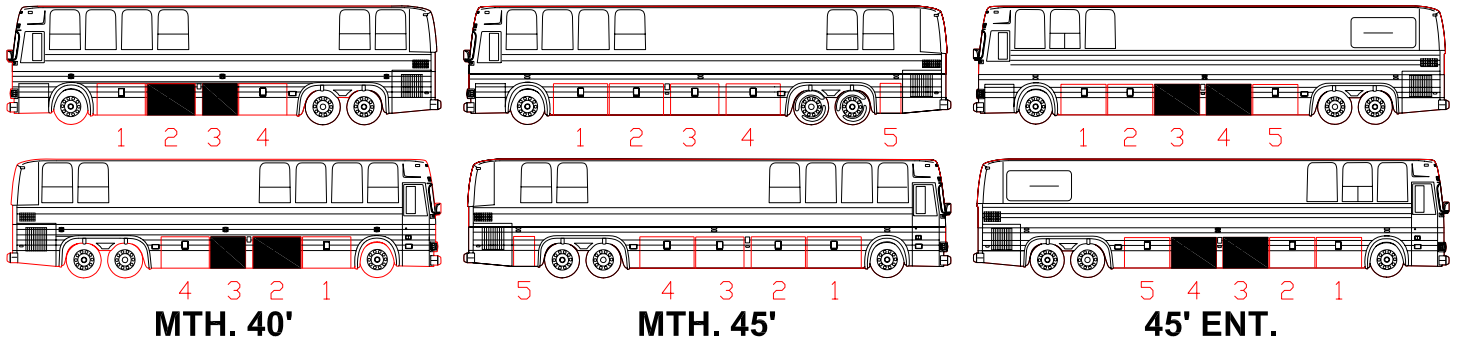


EXTERIOR VIEW

NOTE:
 -SMALL LUGGAGE DOOR FOR MTH 40'
 -SMALL LUGGAGE DOOR FOR 45' ENT.

TOTAL PERFORATED AREA: 2.39 f ²	EFF : V-6258	DOOR ASSY ONLY IN SERVICE PART	N.A.
	PRIOR: Y-7045		
DATE: 99-12	WITH INSULATION	OPTION LIST	482823
REV. : A	WITHOUT INSULATION X		

PREVOST XL SERIES

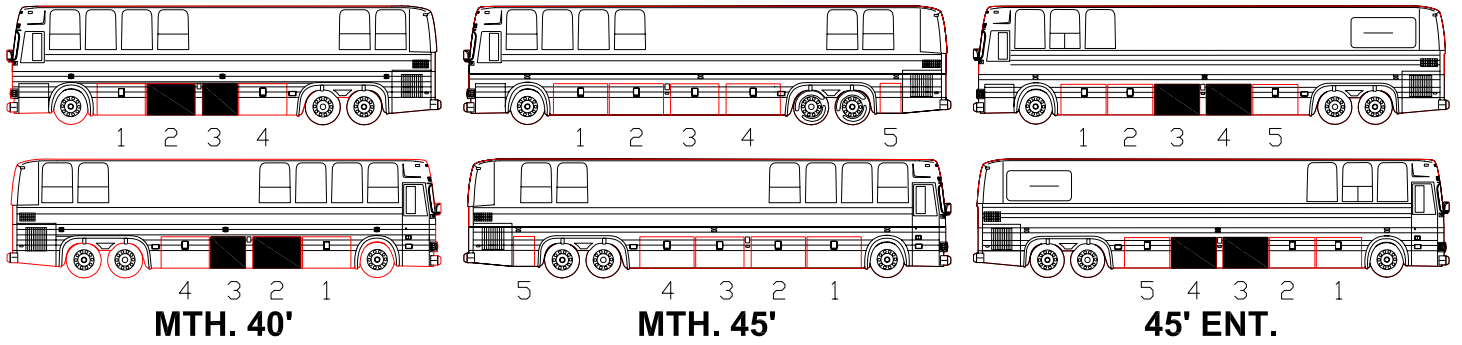


EXTERIOR VIEW

NOTE:
 -SMALL LUGGAGE DOOR FOR MTH 40'
 -SMALL LUGGAGE DOOR FOR 45' ENT.

TOTAL PERFORATED AREA: 0.89 f ²	EFF : V-6258	DOOR ASSY ONLY IN SERVICE PART	N.A.
	PRIOR: Y-7045		
DATE: 99-12	WITH INSULATION	OPTION LIST	483019
REV. : B	WITHOUT INSULATION X		

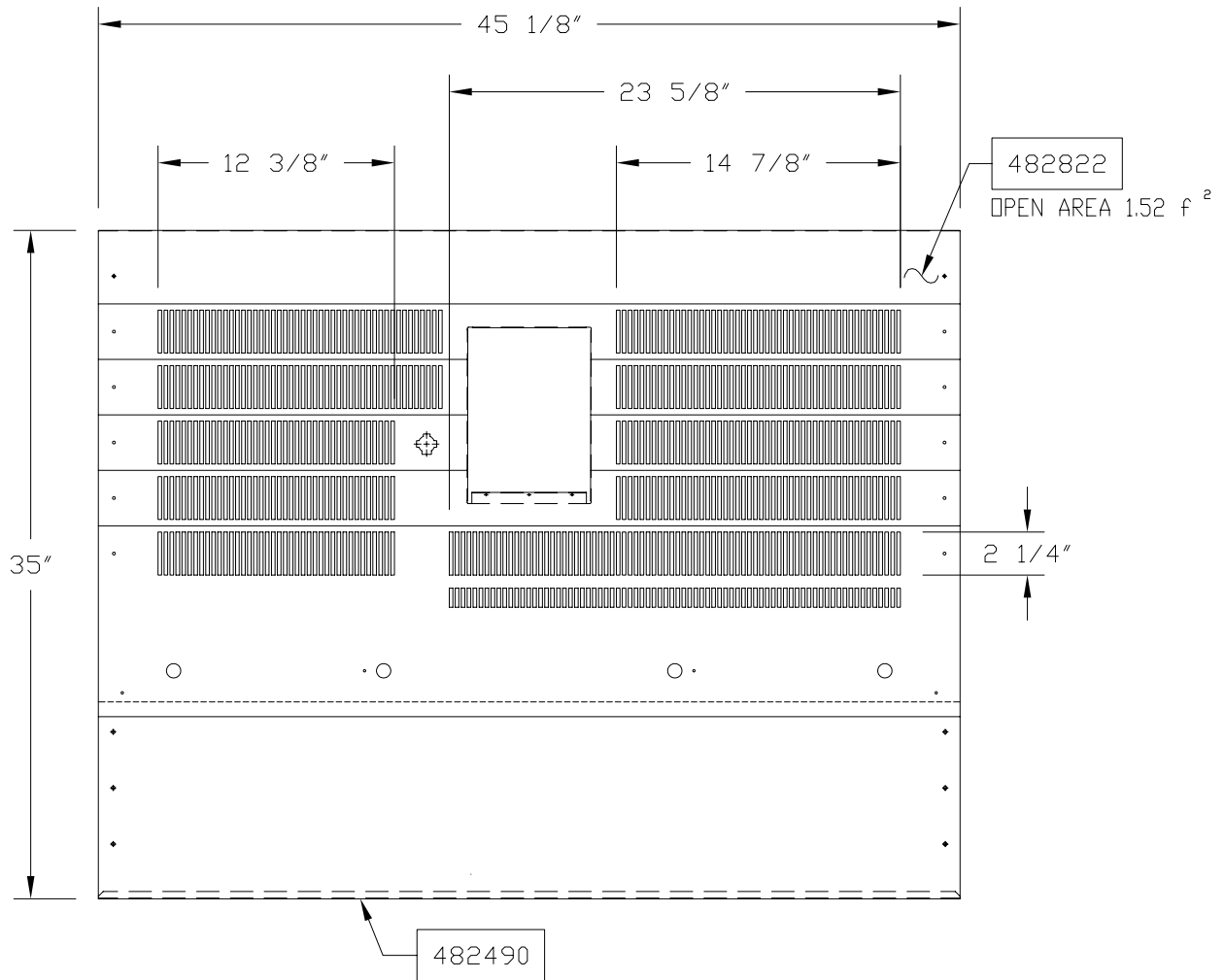
PREVOST XL SERIES



MTH. 40'

MTH. 45'

45' ENT.



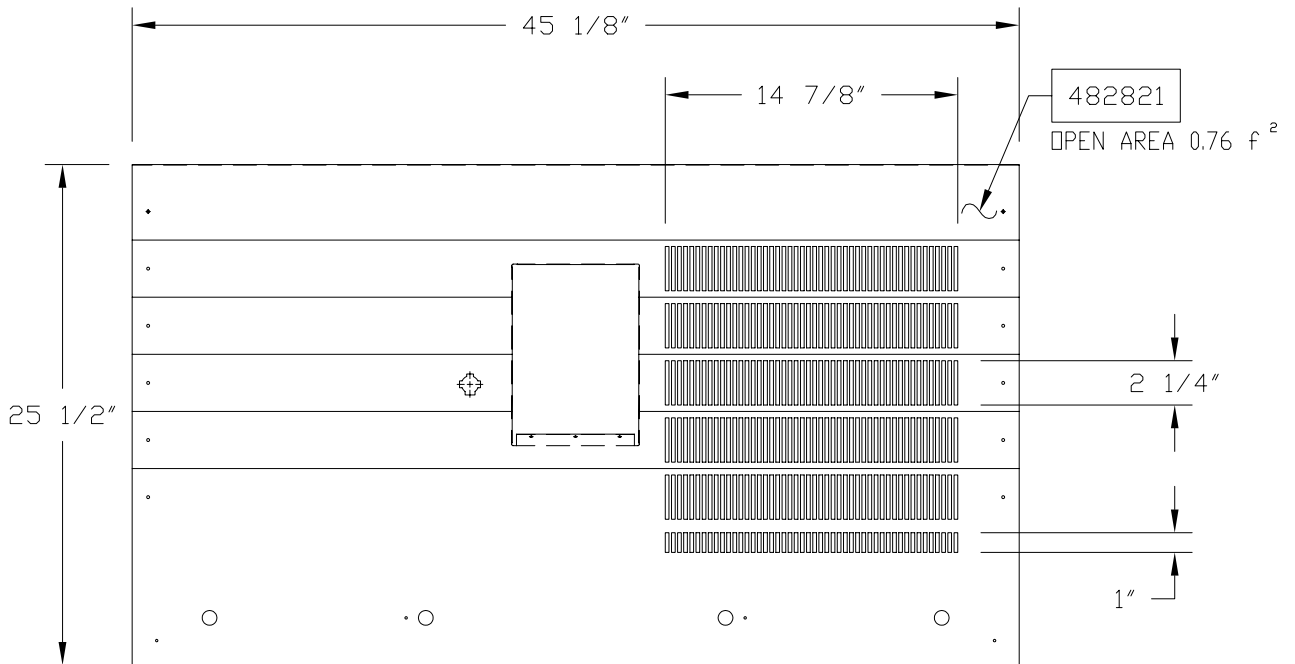
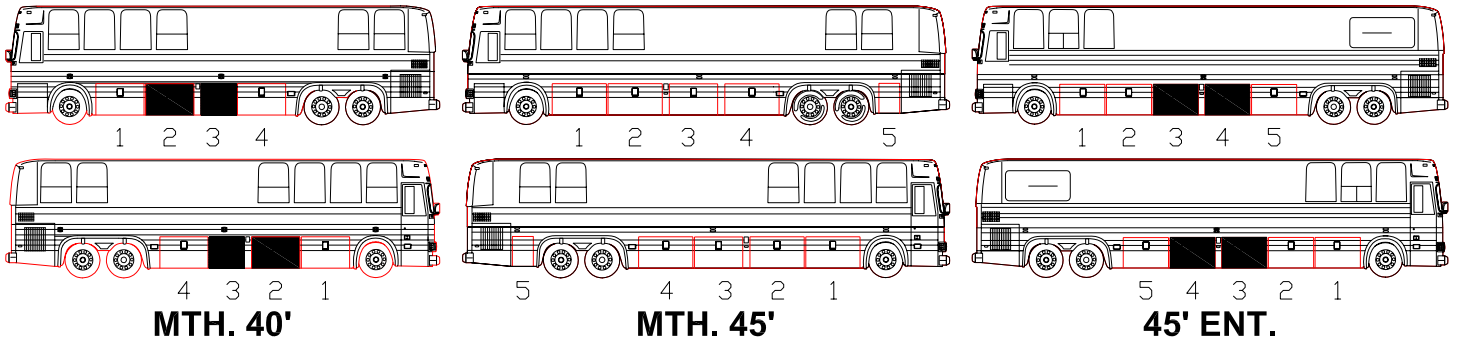
EXTERIOR VIEW

NOTE:

- SMALL LUGGAGE DOOR FOR MTH 40'
- SMALL LUGGAGE DOOR FOR 45' ENT.

TOTAL PERFORATED AREA: 1.52 f ²	EFF : V-6258	DOOR ASSY ONLY IN SERVICE PART	N.A.
	PRIOR: Y-7045		
DATE: 99-12	WITH INSULATION	OPTION LIST	483020
REV. : B	WITHOUT INSULATION X		

PREVOST XL SERIES



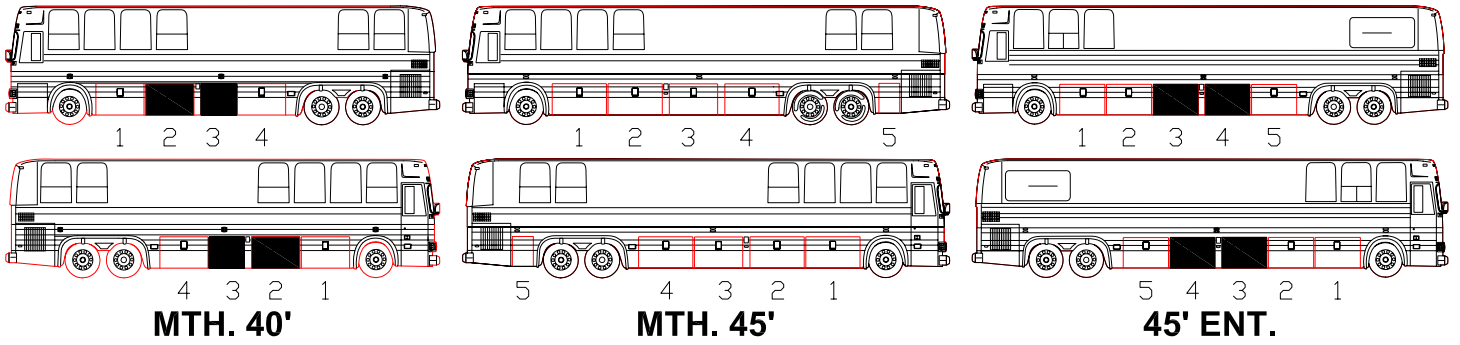
EXTERIOR VIEW

NOTE:

- SMALL LUGGAGE DOOR FOR MTH 40'
- SMALL LUGGAGE DOOR FOR 45' ENT.

TOTAL PERFORATED AREA: 0.76 f ²	EFF : V-6258	SERVICE PART ONLY	482821
	PRIOR: Y-7045		
DATE: 04-07	WITH INSULATION	OPTION LIST	4745A
REV.: B	WITHOUT INSULATION		

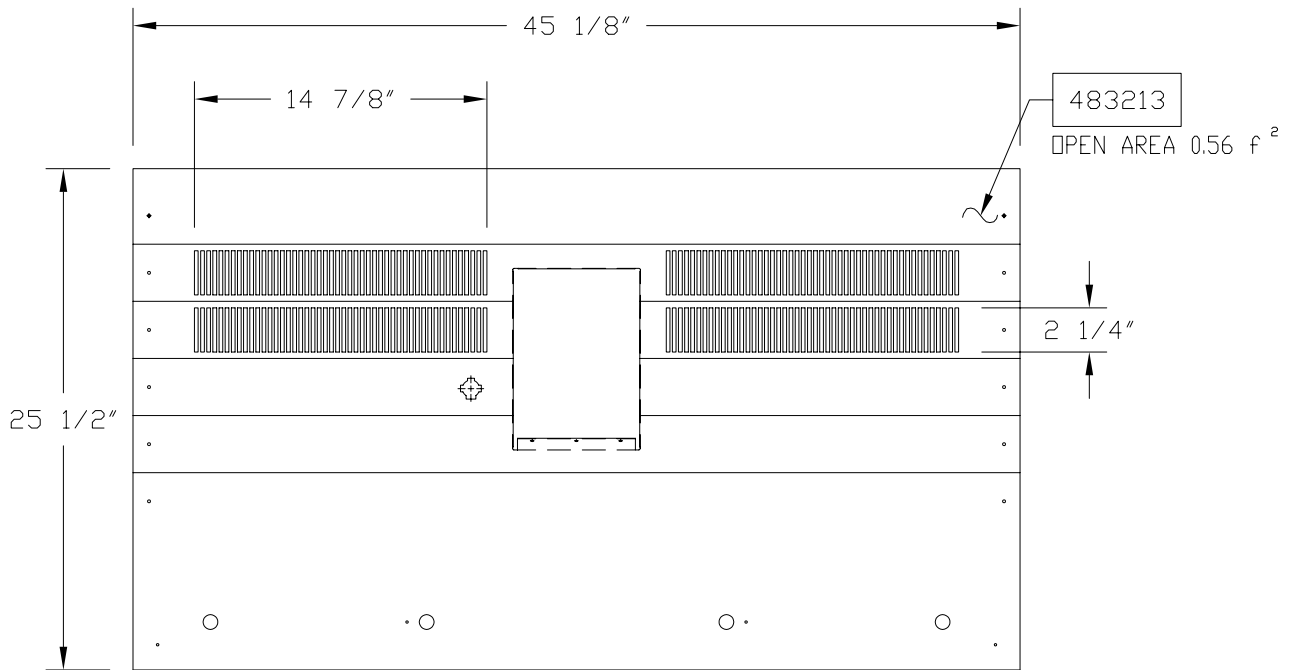
PREVOST XL SERIES



MTH. 40'

MTH. 45'

45' ENT.



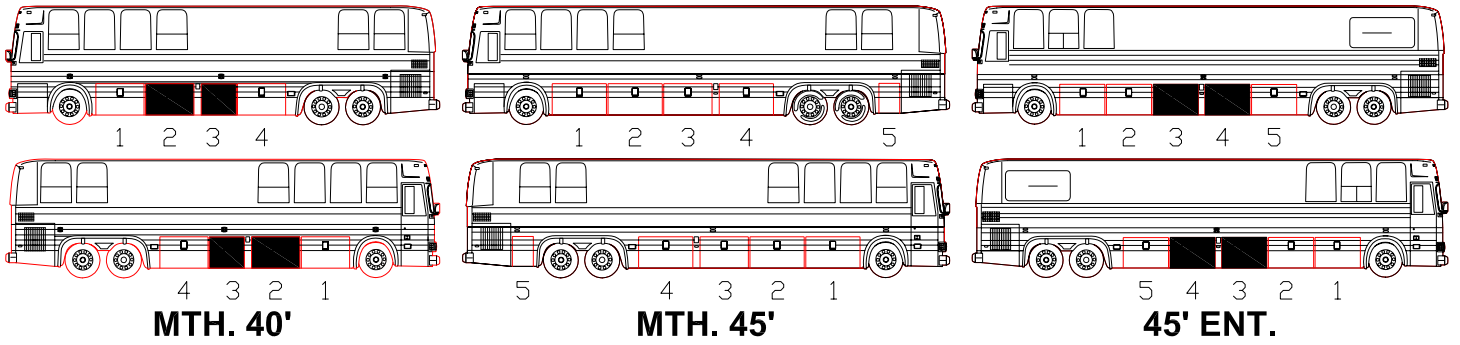
EXTERIOR VIEW

NOTE:

- SMALL LUGGAGE DOOR FOR MTH 40'
- SMALL LUGGAGE DOOR FOR 45' ENT.

TOTAL PERFORATED AREA: 0.56 f ²	EFF : V-6258	SERVICE PART ONLY	483213
	PRIOR: Y-7045		
DATE: 04-07	WITH INSULATION	OPTION LIST	4745B
REV.: A	WITHOUT INSULATION X		

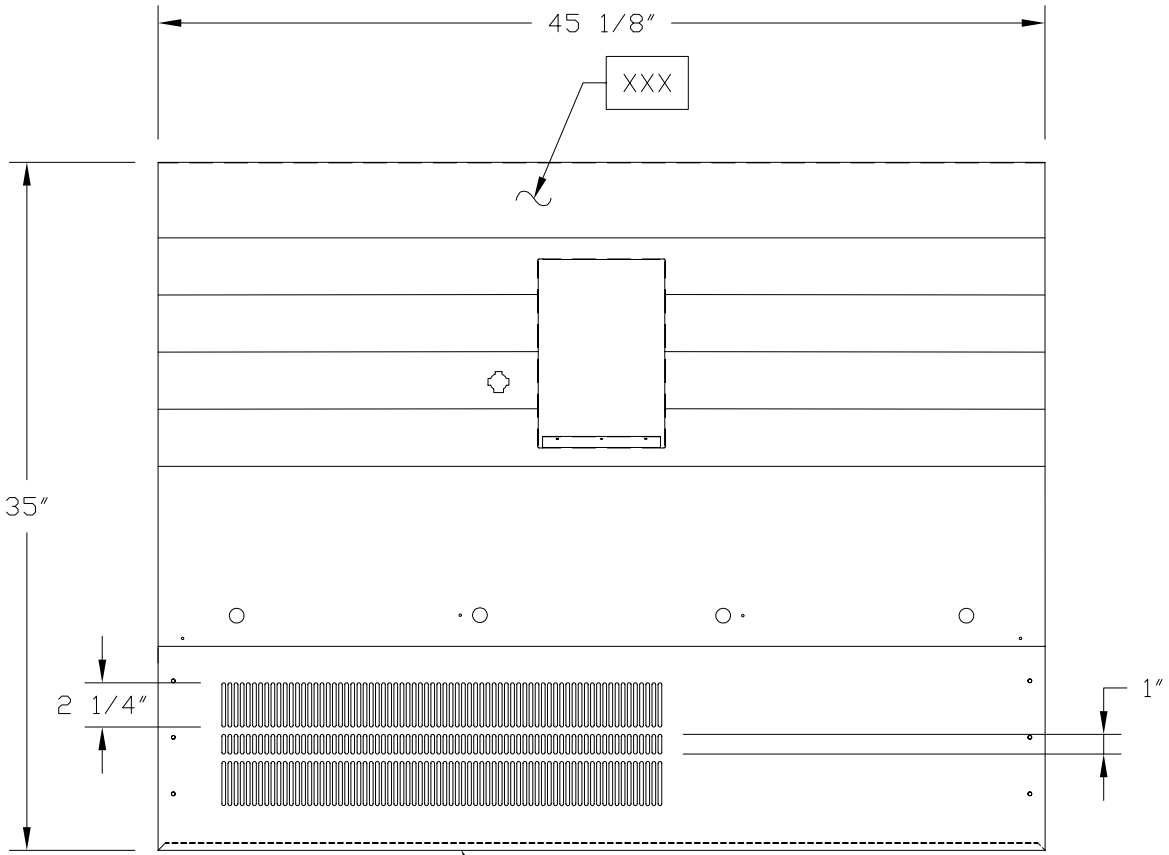
PREVOST XL SERIES



MTH. 40'

MTH. 45'

45' ENT.

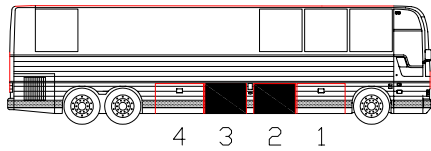
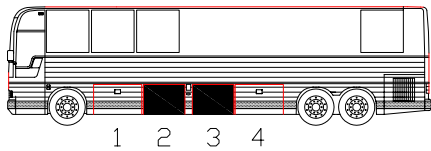


EXTERIOR VIEW

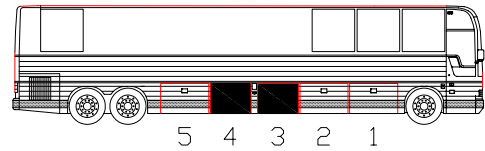
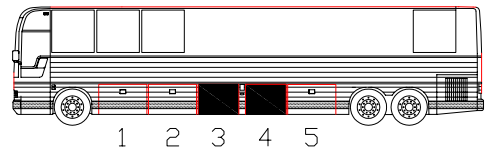
NOTE:
 -SMALL LUGGAGE DOOR FOR MTH 40'
 -SMALL LUGGAGE DOOR FOR 45' ENT.

TOTAL PERFORATED AREA: 0.52 f ²	EFF : V-6258	SERVICE PART ONLY	483774
	PRIOR: Y-7045		
DATE: 04-07	WITH INSULATION	OPTION LIST	4745C
REV.: A	WITHOUT INSULATION		

PREVOST® *Le Mirage XL* III



MTH. 40'



45' ENT.

45" BAGGAGE DOORS

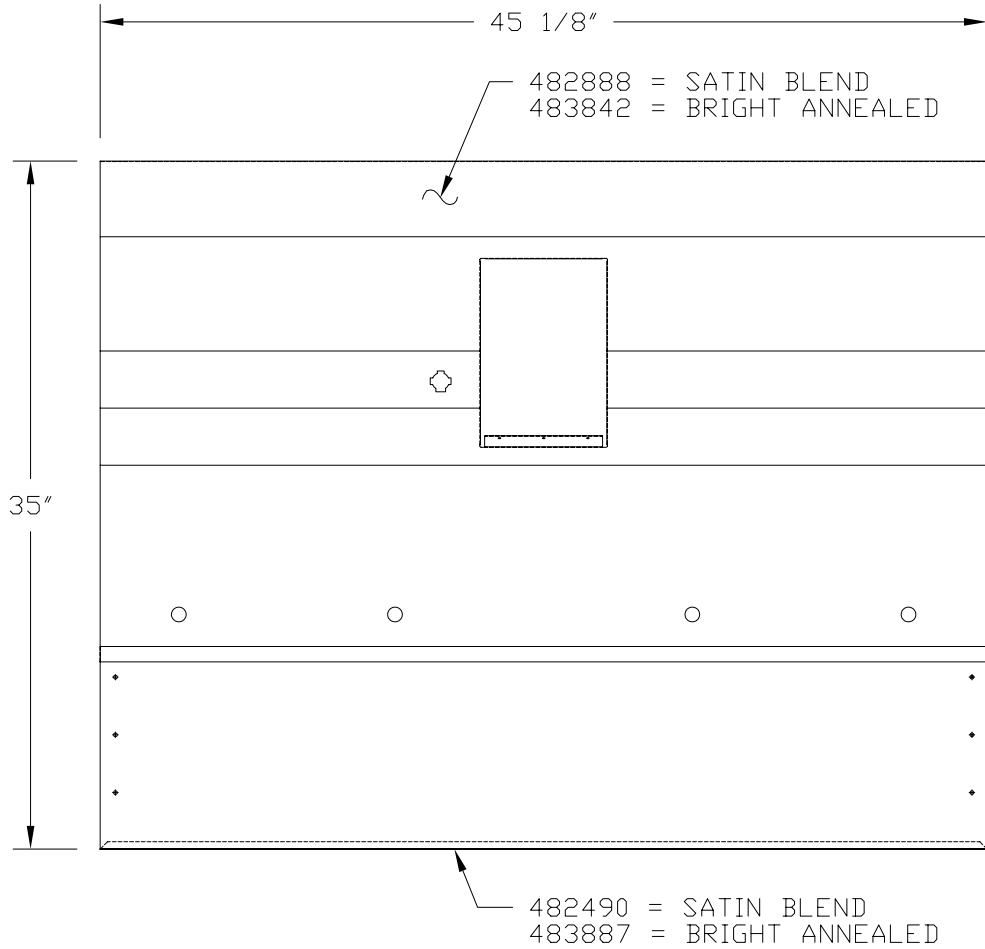
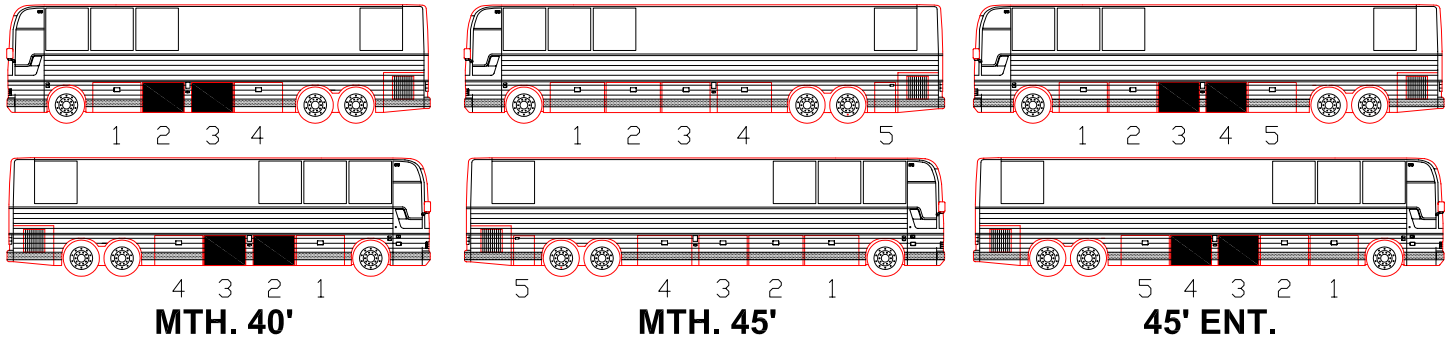
OPTION LIST	UPPER PANEL	LOWER PANEL	PERFORATED AREA F ²	INSULATION	SATIN BLEND SS	BRIGHT SS
482887	482888	482490	NO	X	X	
482887	483842	483887	NO	X		X
482896	482912	482717	1.13		X	
482896	483849	483891	1.13			X
482897	482858	482702	0.61		X	
482897	483836	483888	0.61			X
482899	482888	482704	0.89	X	X	
482899	483842	483890	0.89	X		X
482900	482901	482704	2.20		X	
482900	483846	483890	2.20			X
482903	482888	482717	0.46	X	X	
482903	483842	483891	0.46	X		X
482904	482905	482490	0.61	X	X	
482904	483847	483887	0.61	X		X
482921	482888	473642	0.19	X	X	
482921	483842	483872	0.19	X		X
482927	482888	482803	0.23	X	X	
482927	483842	483893	0.23	X		X
482932	482898	482704	2.24		X	
482932	483845	483890	2.24			X
482934	482912	482490	0.67		X	
482934	483849	483887	0.67			X

DOTTED AREAS ARE NOT IN PRODUCTION AT TIME OF PRINTING.

DATE: 04-07

REV.: C

PREVOST *Le Mirage XL*



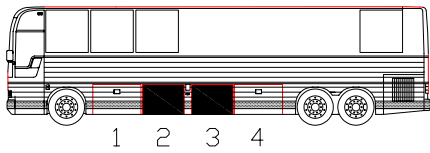
EXTERIOR VIEW

NOTE:

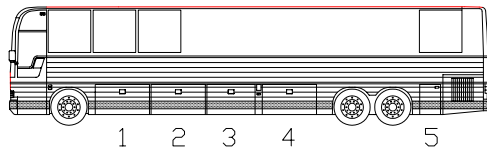
- SMALL LUGGAGE DOOR FOR MTH 40'
- SMALL LUGGAGE DOOR FOR 45' ENT.

TOTAL PERFORATED AREA: 0.00 f ²	EFF : Y-7046		DOOR ASSY ONLY IN SERVICE PART	N.A.
	PRIOR:			
DATE: 04-07	WITH INSULATION	X	OPTION LIST	482887
REV. : B	WITHOUT INSULATION			

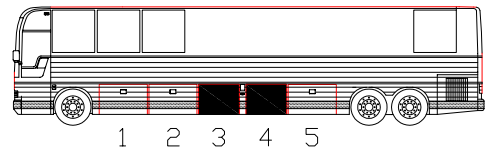
PREVOST Le Mirage XL



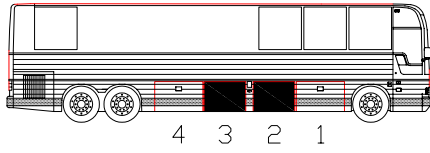
1 2 3 4



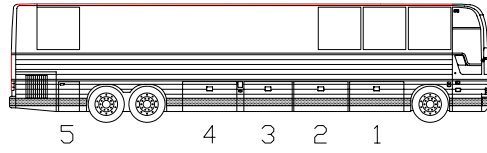
1 2 3 4 5



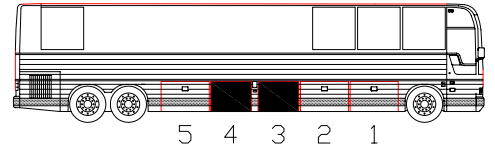
1 2 3 4 5



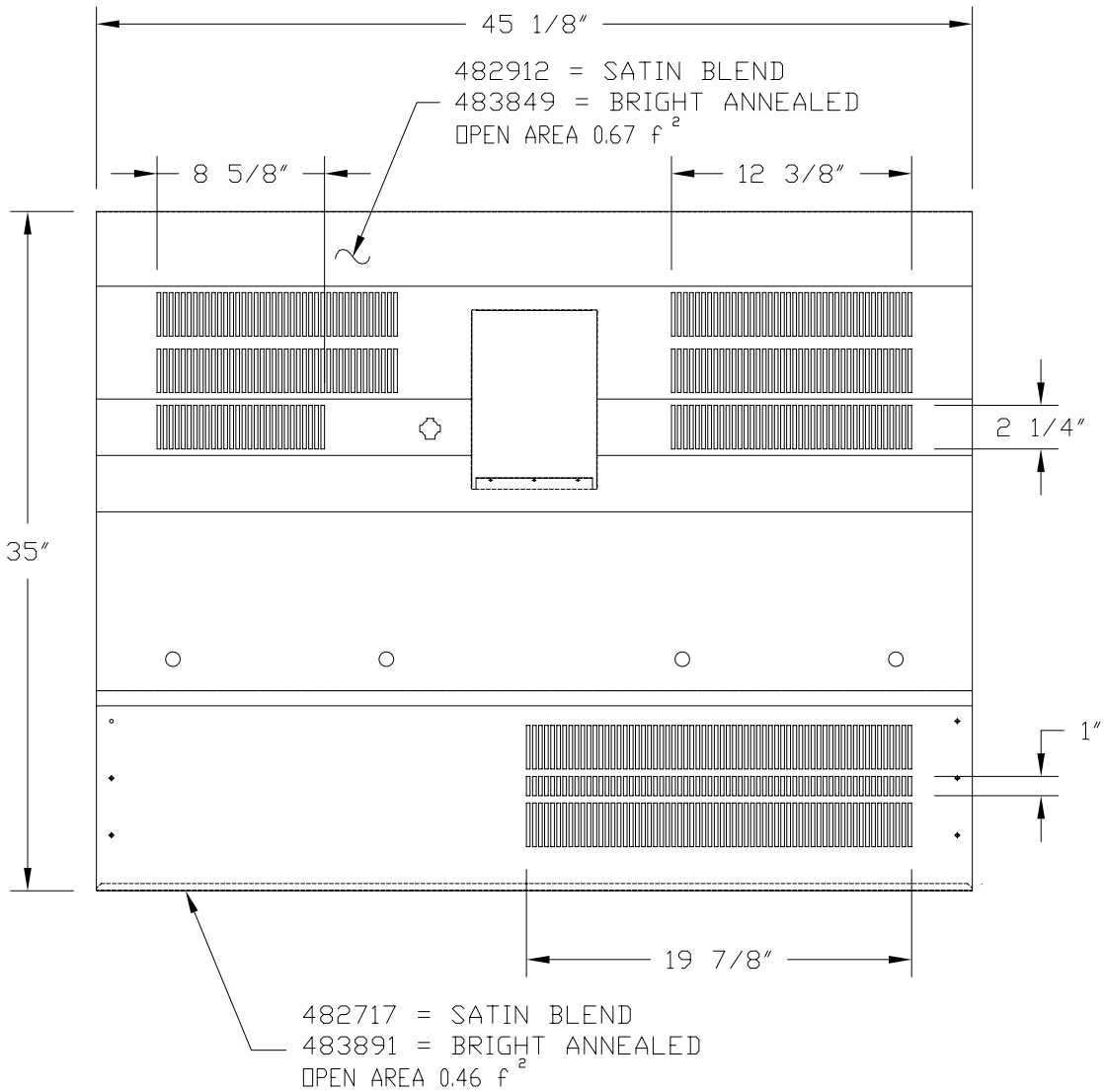
MTH. 40'



MTH. 45'



45' ENT.



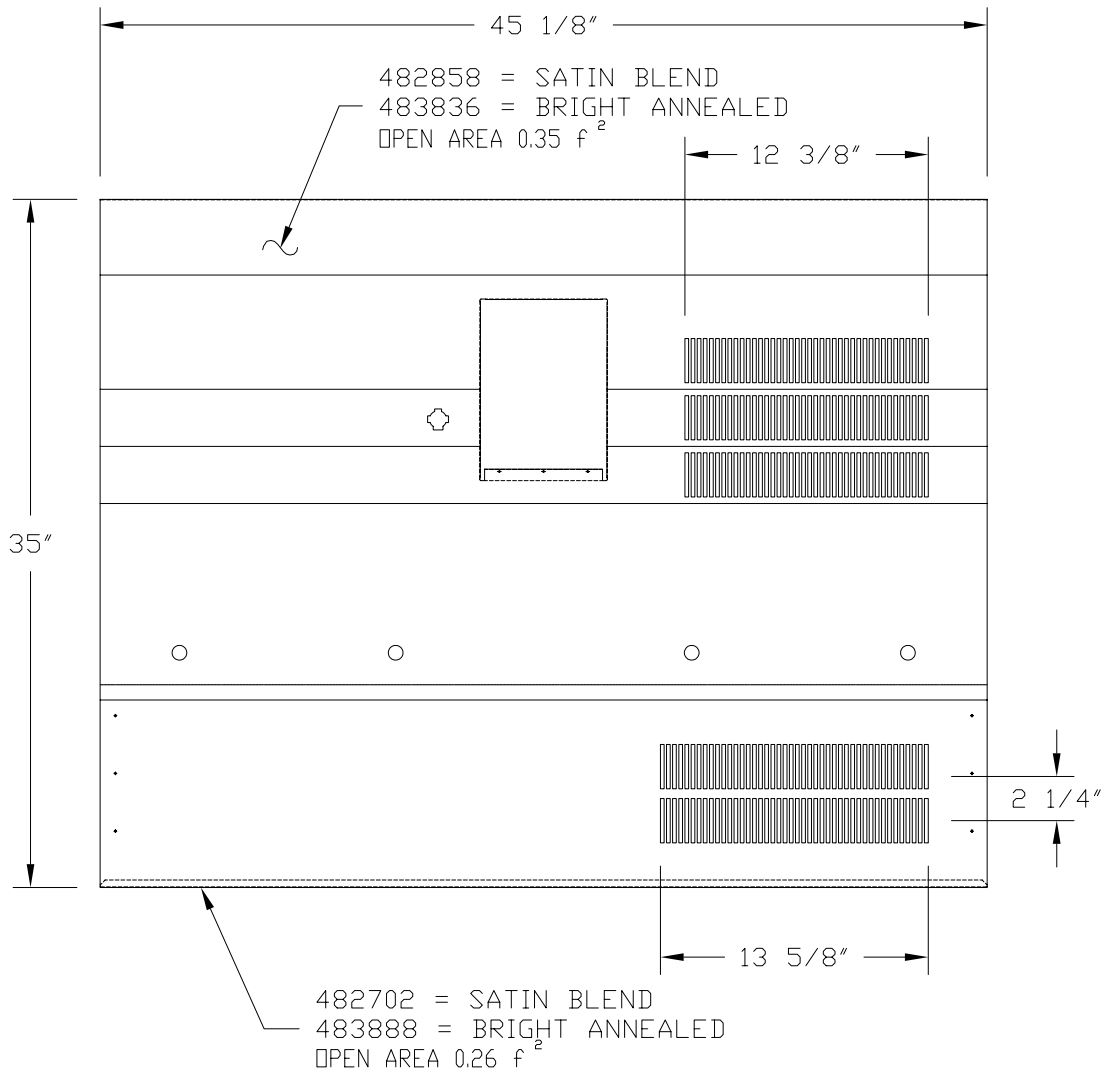
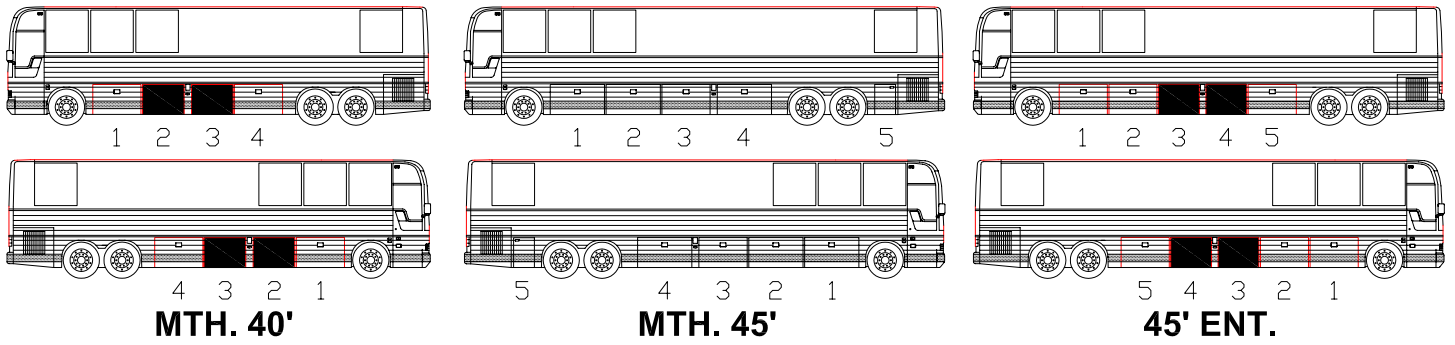
EXTERIOR VIEW

NOTE:

- SMALL LUGGAGE DOOR FOR MTH 40'
- SMALL LUGGAGE DOOR FOR 45' ENT.

TOTAL PERFORATED AREA: 1.13 f ²	EFF : Y-7046		DOOR ASSY ONLY IN SERVICE PART	N.A.
	PRIOR:			
DATE: 04-07	WITH INSULATION		OPTION LIST	482896
REV. : B	WITHOUT INSULATION	X		

PREVOST Le Mirage XL



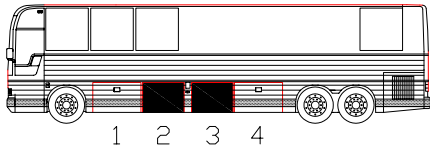
EXTERIOR VIEW

NOTE:

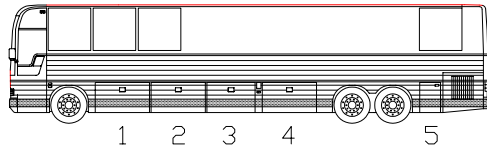
- SMALL LUGGAGE DOOR FOR MTH 40'
- SMALL LUGGAGE DOOR FOR 45' ENT.

TOTAL PERFORATED AREA: 0.61 f ²	EFF : Y-7046		DOOR ASSY ONLY IN SERVICE PART	N.A.
	PRIOR:			
DATE: 04-07	WITH INSULATION		OPTION LIST	482897
REV. : B	WITHOUT INSULATION	X		

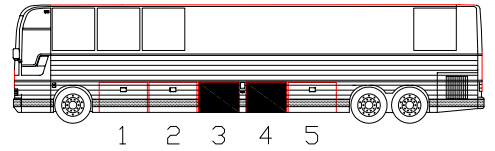
PREVOST Le Mirage XL



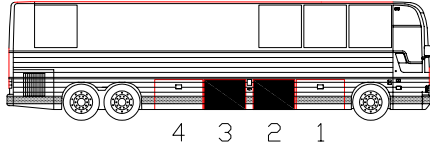
1 2 3 4



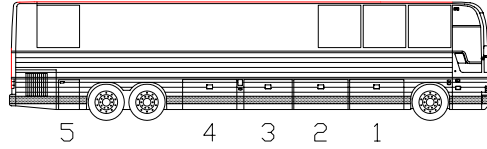
1 2 3 4 5



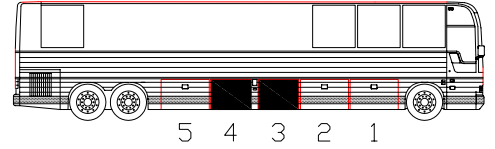
1 2 3 4 5



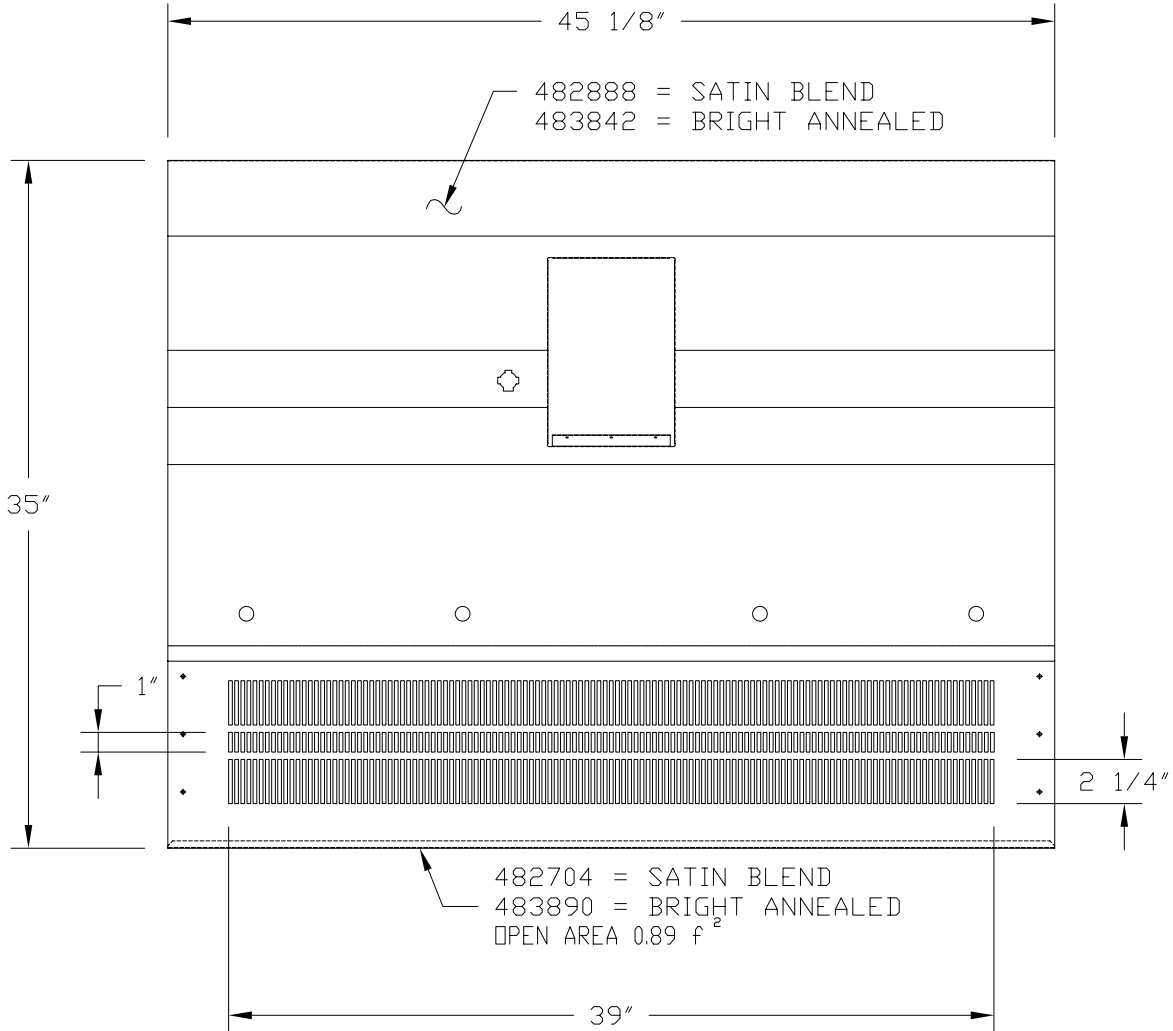
MTH. 40'



MTH. 45'



45' ENT.



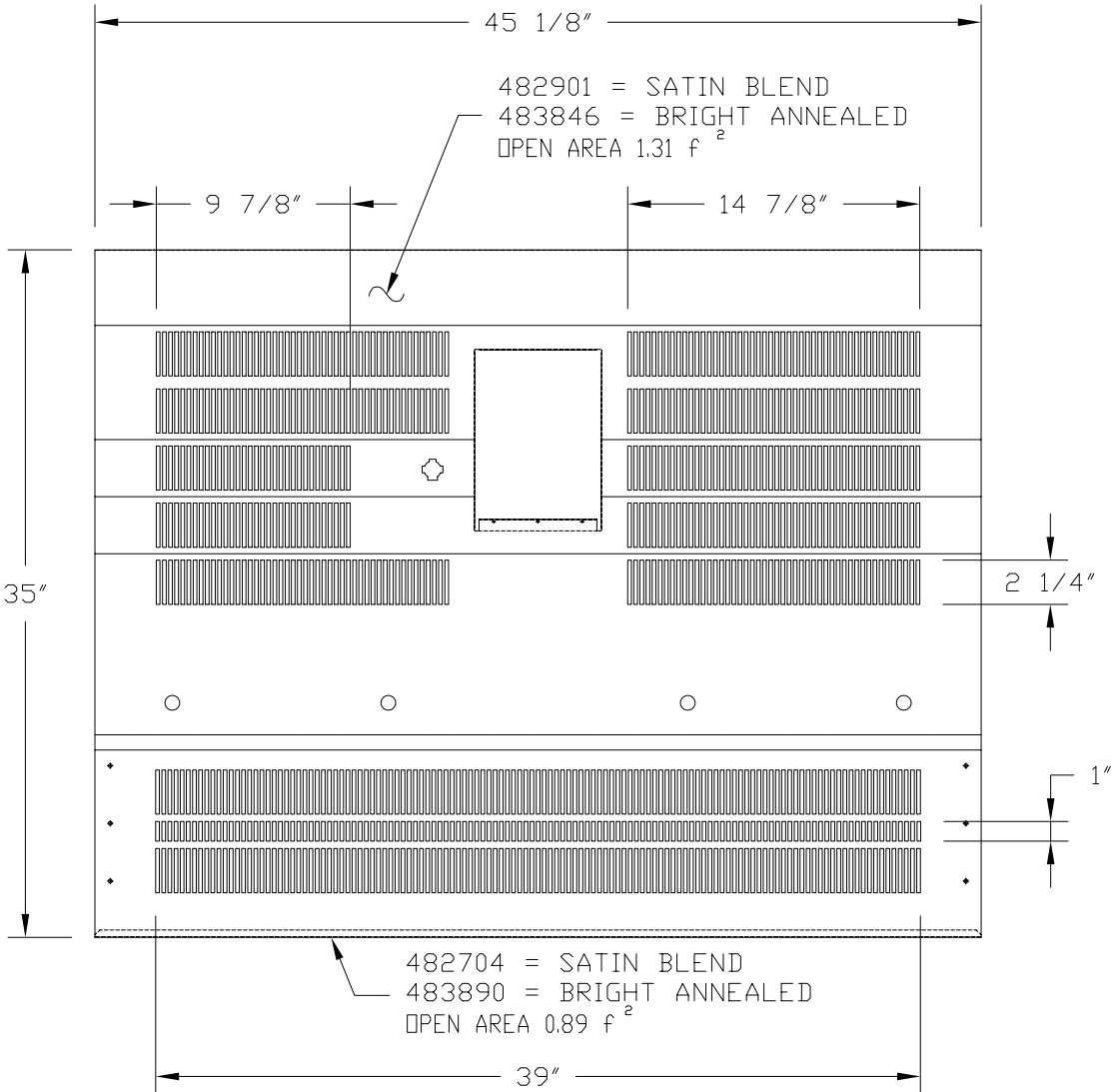
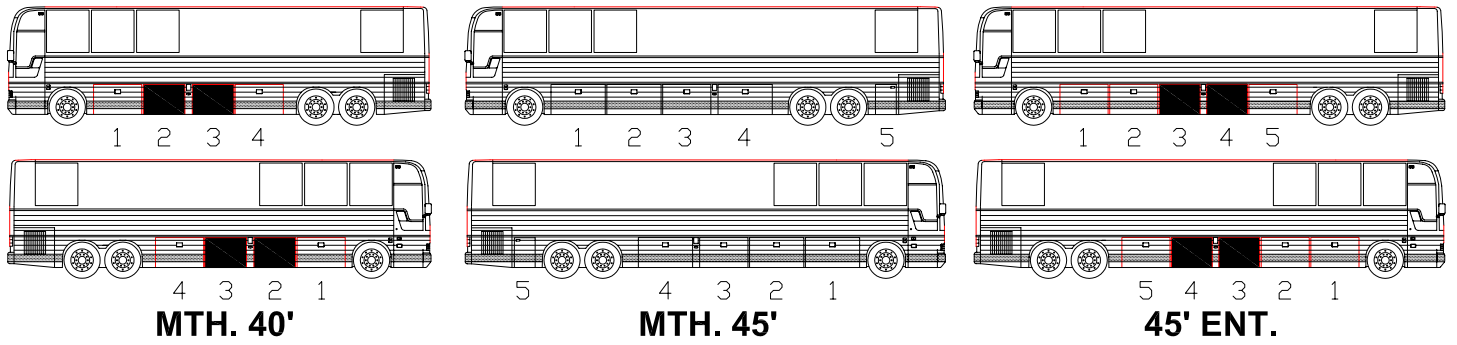
EXTERIOR VIEW

NOTE:

- SMALL LUGGAGE DOOR FOR MTH 40'
- SMALL LUGGAGE DOOR FOR 45' ENT.

TOTAL PERFORATED AREA: 0.89 f ²	EFF : Y-7046		DOOR ASSY ONLY IN SERVICE PART	N.A.
	PRIOR:			
DATE: 04-07	WITH INSULATION	X	OPTION LIST	482899
REV.: B	WITHOUT INSULATION			

PREVOST Le Mirage XL III



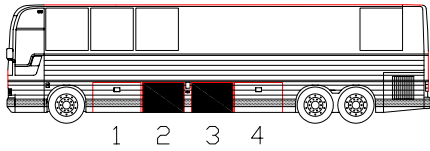
EXTERIOR VIEW

NOTE:

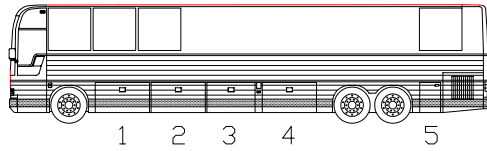
- SMALL LUGGAGE DOOR FOR MTH 40'
- SMALL LUGGAGE DOOR FOR 45' ENT.

TOTAL PERFORATED AREA: 2.20 f ²	EFF : Y-7046	DOOR ASSY ONLY IN SERVICE PART	N.A.
	PRIOR:		
DATE: 04-07	WITH INSULATION	OPTION LIST	482900
REV. : B	WITHOUT INSULATION X		

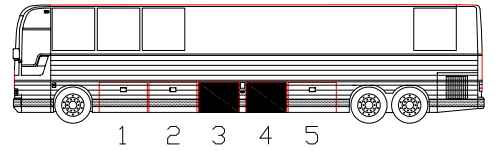
PREVOST *Le Mirage XL*



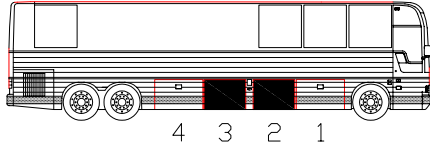
1 2 3 4



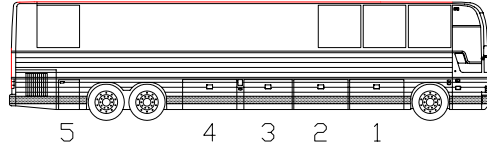
1 2 3 4 5



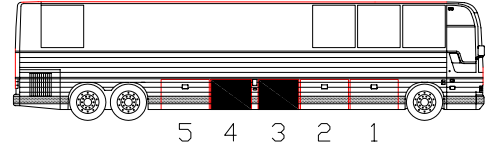
1 2 3 4 5



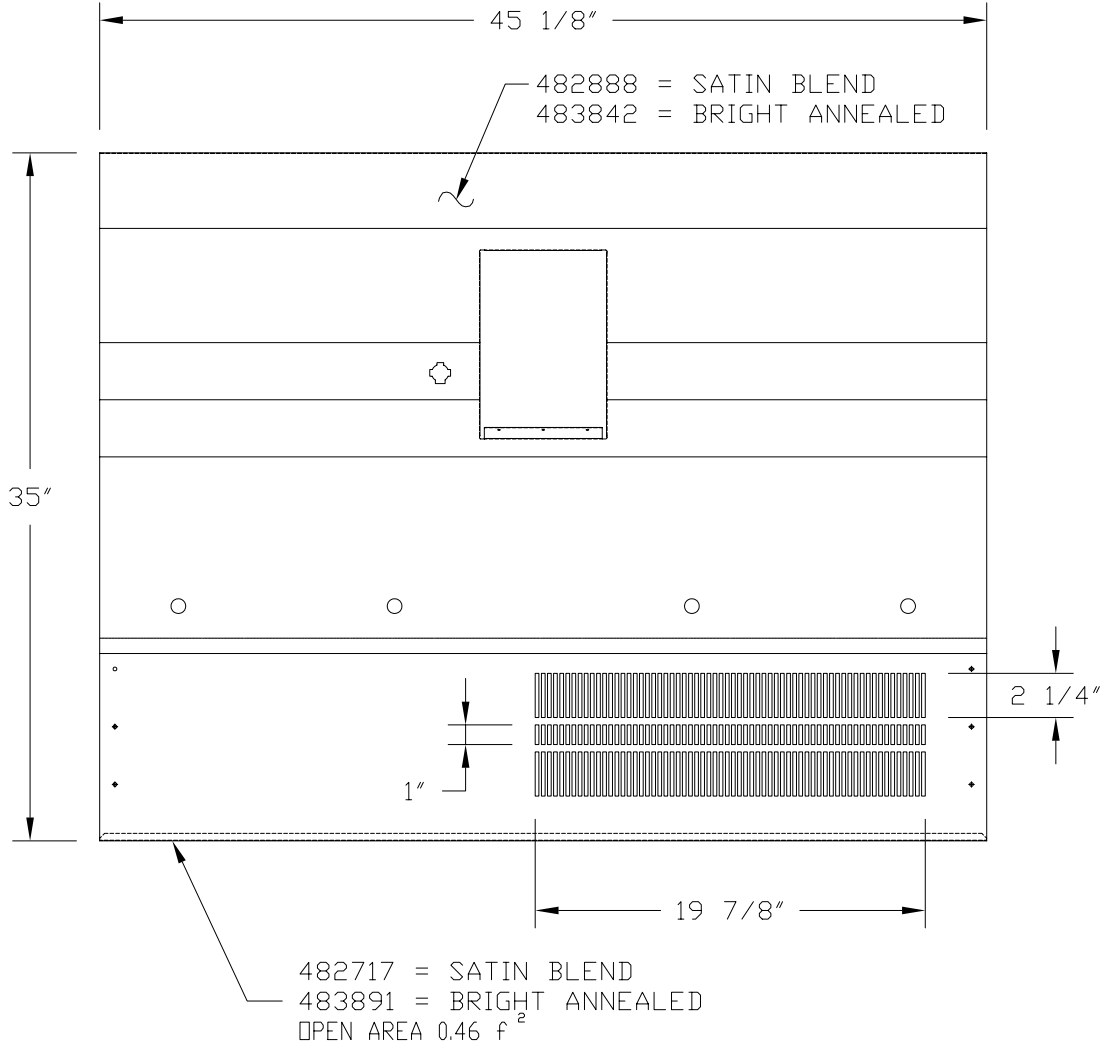
MTH. 40'



MTH. 45'



45' ENT.



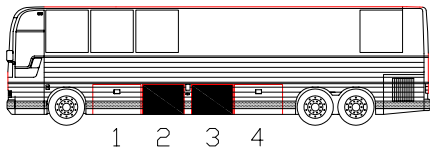
EXTERIOR VIEW

NOTE:

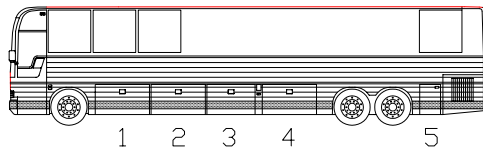
- SMALL LUGGAGE DOOR FOR MTH 40'
- SMALL LUGGAGE DOOR FOR 45' ENT.

TOTAL PERFORATED AREA: 0.46 f ²	EFF : Y-7046		DOOR ASSY ONLY IN SERVICE PART	N.A.
	PRIOR:			
DATE: 04-07	WITH INSULATION	X	OPTION LIST	482903
REV. : B	WITHOUT INSULATION			

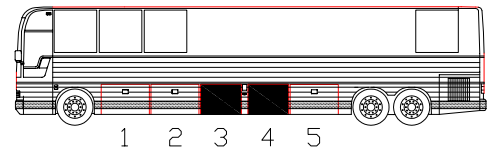
PREVOST® Le Mirage XL



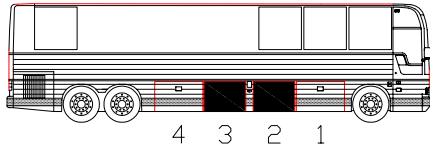
1 2 3 4



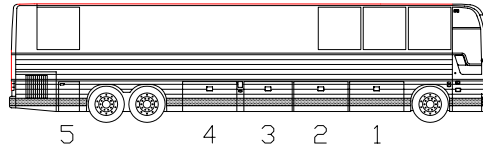
1 2 3 4 5



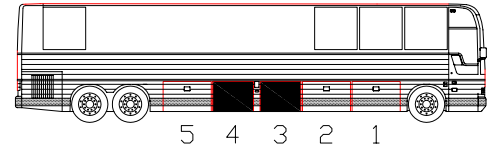
1 2 3 4 5



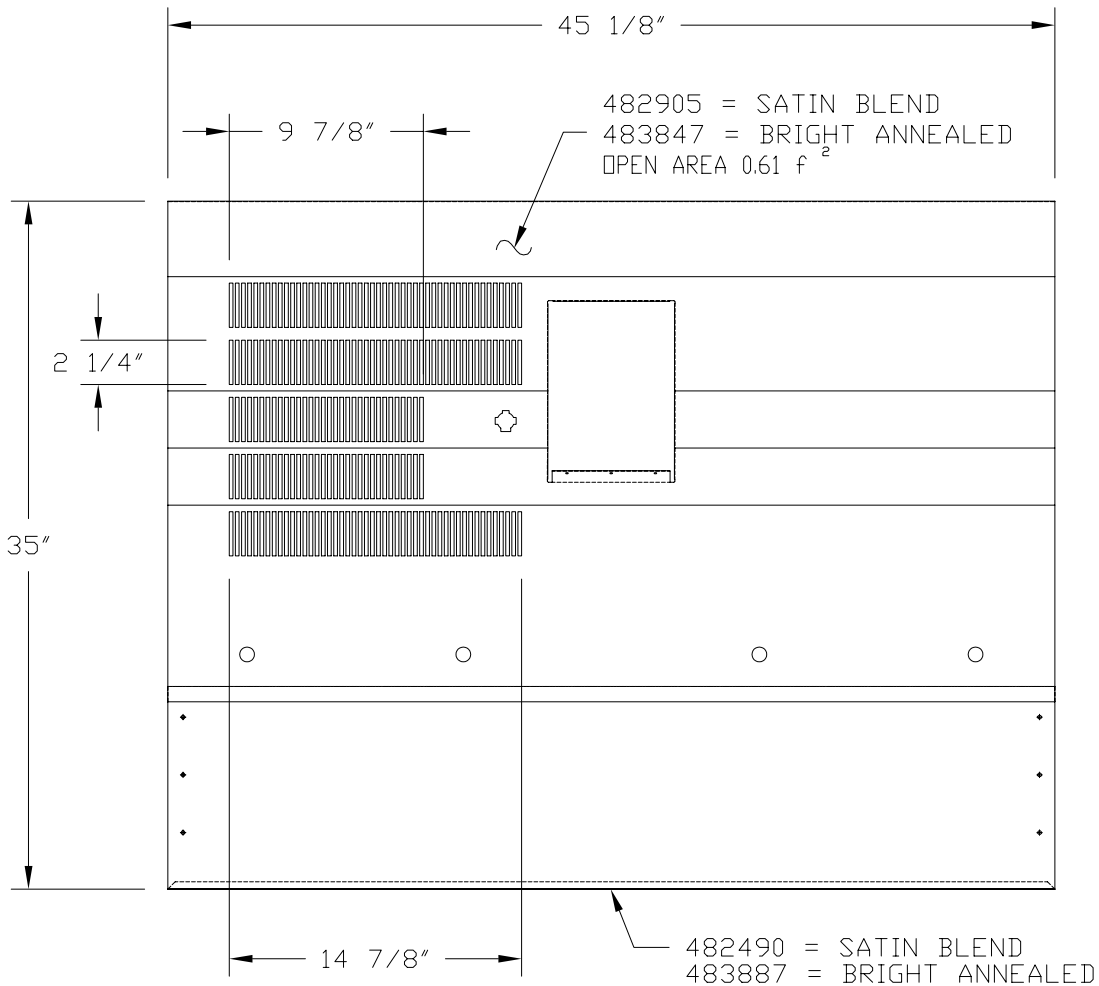
4 3 2 1
MTH. 40'



5 4 3 2 1
MTH. 45'



5 4 3 2 1
45' ENT.



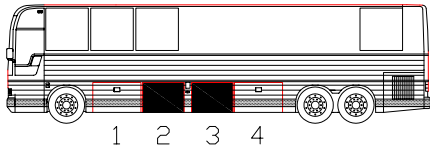
EXTERIOR VIEW

NOTE:

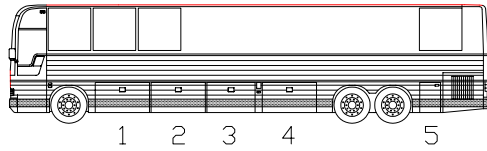
- SMALL LUGGAGE DOOR FOR MTH 40'
- SMALL LUGGAGE DOOR FOR 45' ENT.

TOTAL PERFORATED AREA: 0.61 f ²	EFF : Y-7046		DOOR ASSY ONLY IN SERVICE PART	N.A.
	PRIOR:			
DATE: 04-07	WITH INSULATION	X	OPTION LIST	482904
REV. : B	WITHOUT INSULATION			

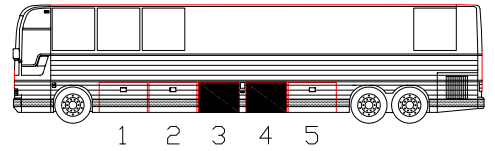
PREVOST *Le Mirage XL*



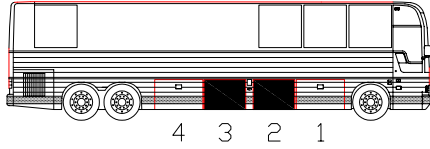
1 2 3 4



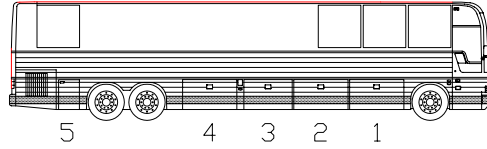
1 2 3 4 5



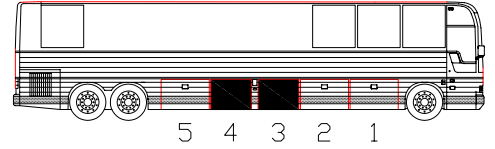
1 2 3 4 5



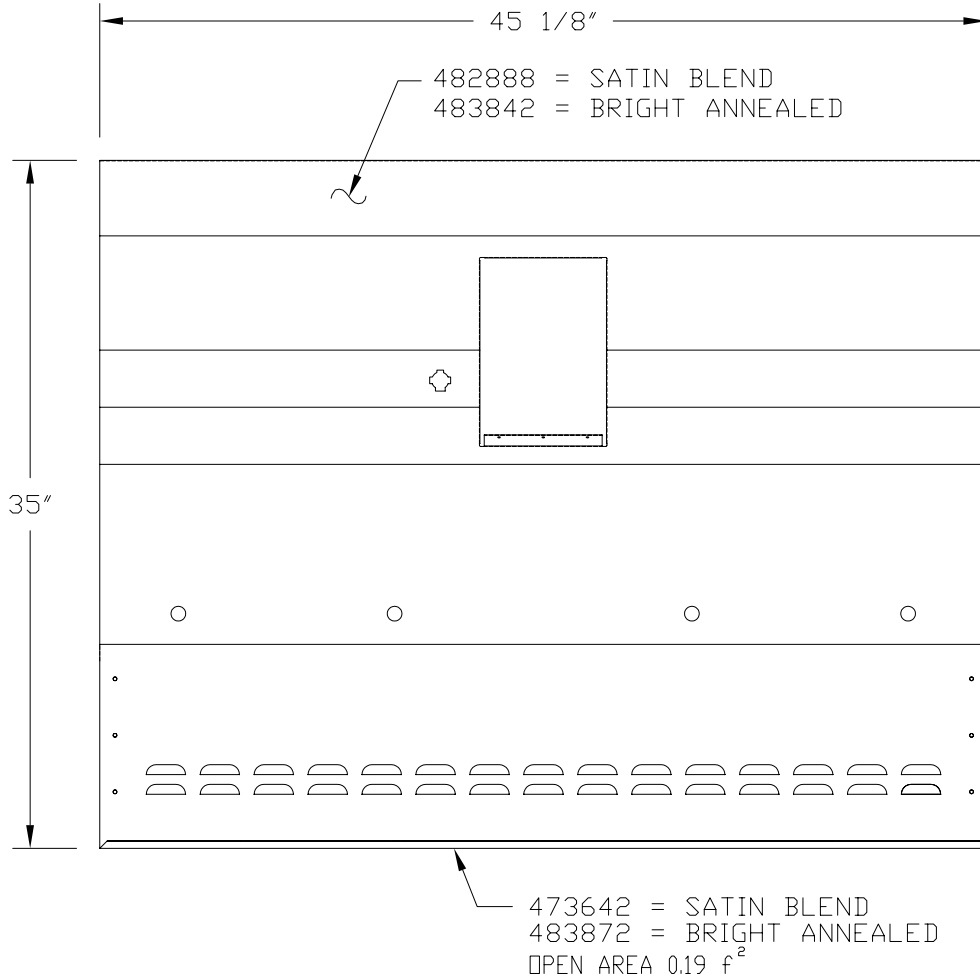
4 3 2 1
MTH. 40'



5 4 3 2 1
MTH. 45'



5 4 3 2 1
45' ENT.



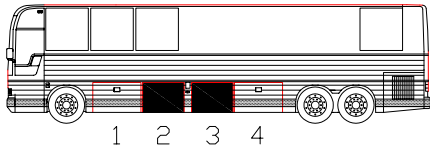
EXTERIOR VIEW

NOTE:

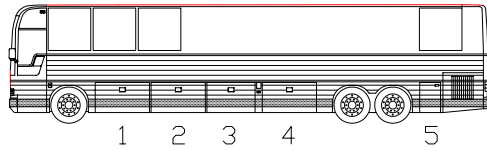
- SMALL LUGGAGE DOOR FOR MTH 40'
- SMALL LUGGAGE DOOR FOR 45' ENT.

TOTAL PERFORATED AREA: 0.19 f ²	EFF : Y-7046		DOOR ASSY ONLY IN SERVICE PART	N.A.
	PRIOR:			
DATE: 04-07	WITH INSULATION	X	OPTION LIST	482921
REV. : B	WITHOUT INSULATION			

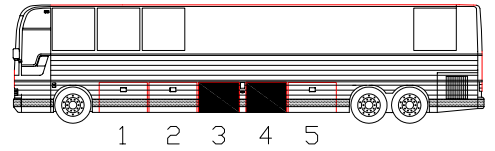
PREVOST Le Mirage XL



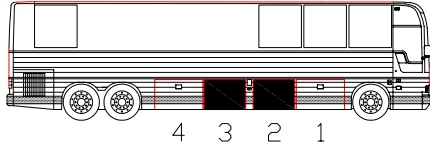
1 2 3 4



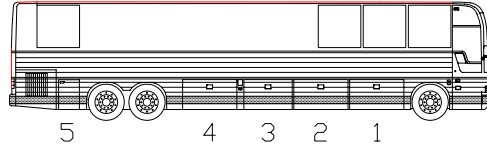
1 2 3 4 5



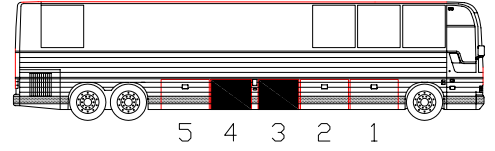
1 2 3 4 5



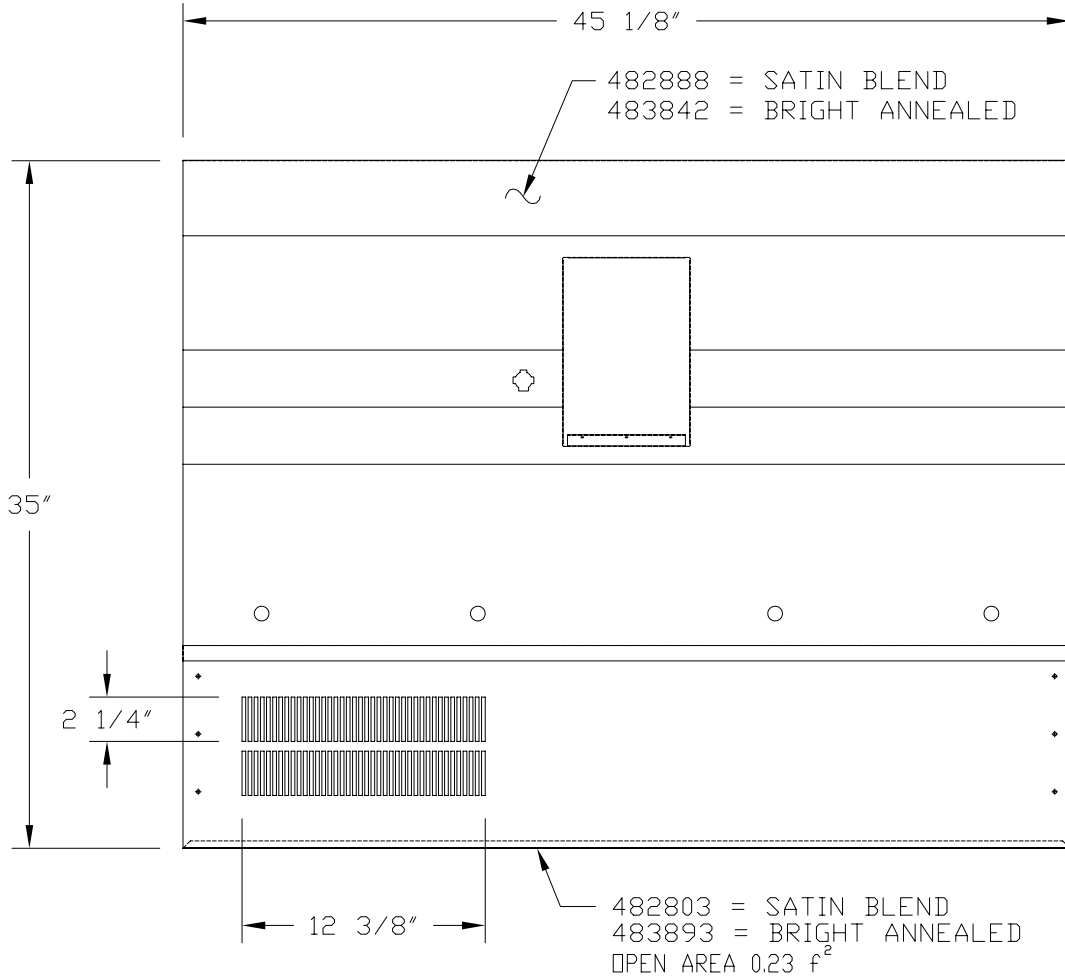
MTH. 40'



MTH. 45'



45' ENT.



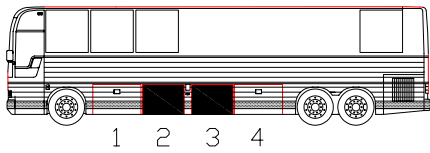
EXTERIOR VIEW

NOTE:

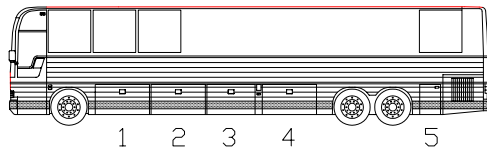
- SMALL LUGGAGE DOOR FOR MTH 40'
- SMALL LUGGAGE DOOR FOR 45' ENT.

TOTAL PERFORATED AREA: 0.23 f ²	EFF : Y-7046		DOOR ASSY ONLY IN SERVICE PART	N.A.
	PRIOR:			
DATE: 04-07	WITH INSULATION	X	OPTION LIST	482927
REV. : B	WITHOUT INSULATION			

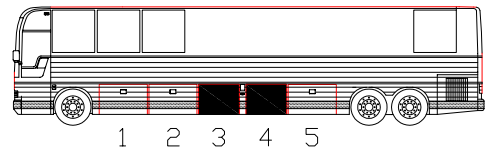
PREVOST Le Mirage XL



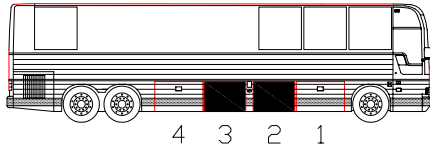
1 2 3 4



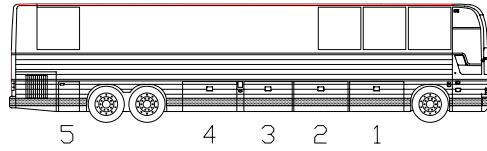
1 2 3 4 5



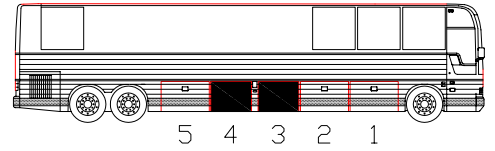
1 2 3 4 5



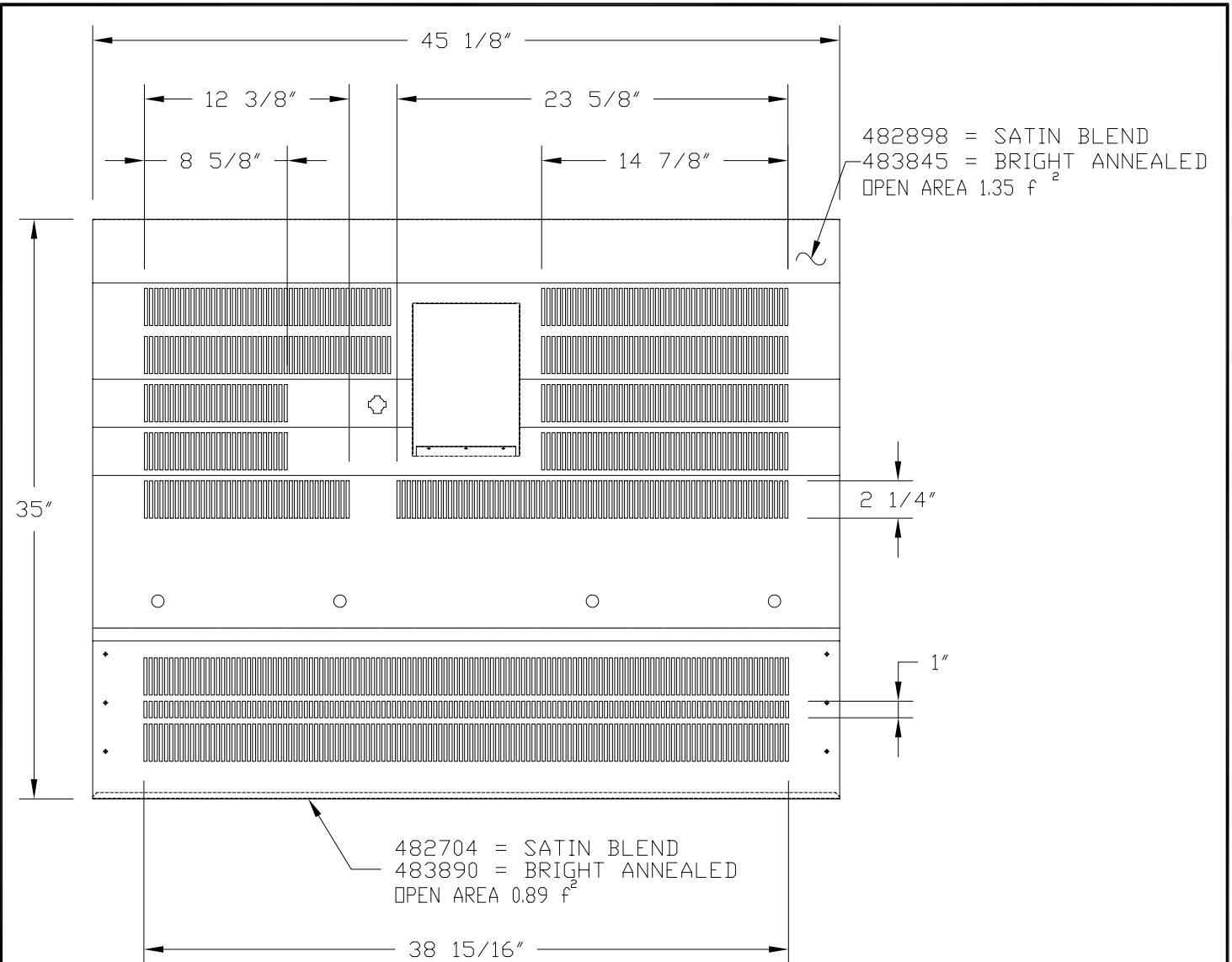
MTH. 40'



MTH. 45'



45' ENT.



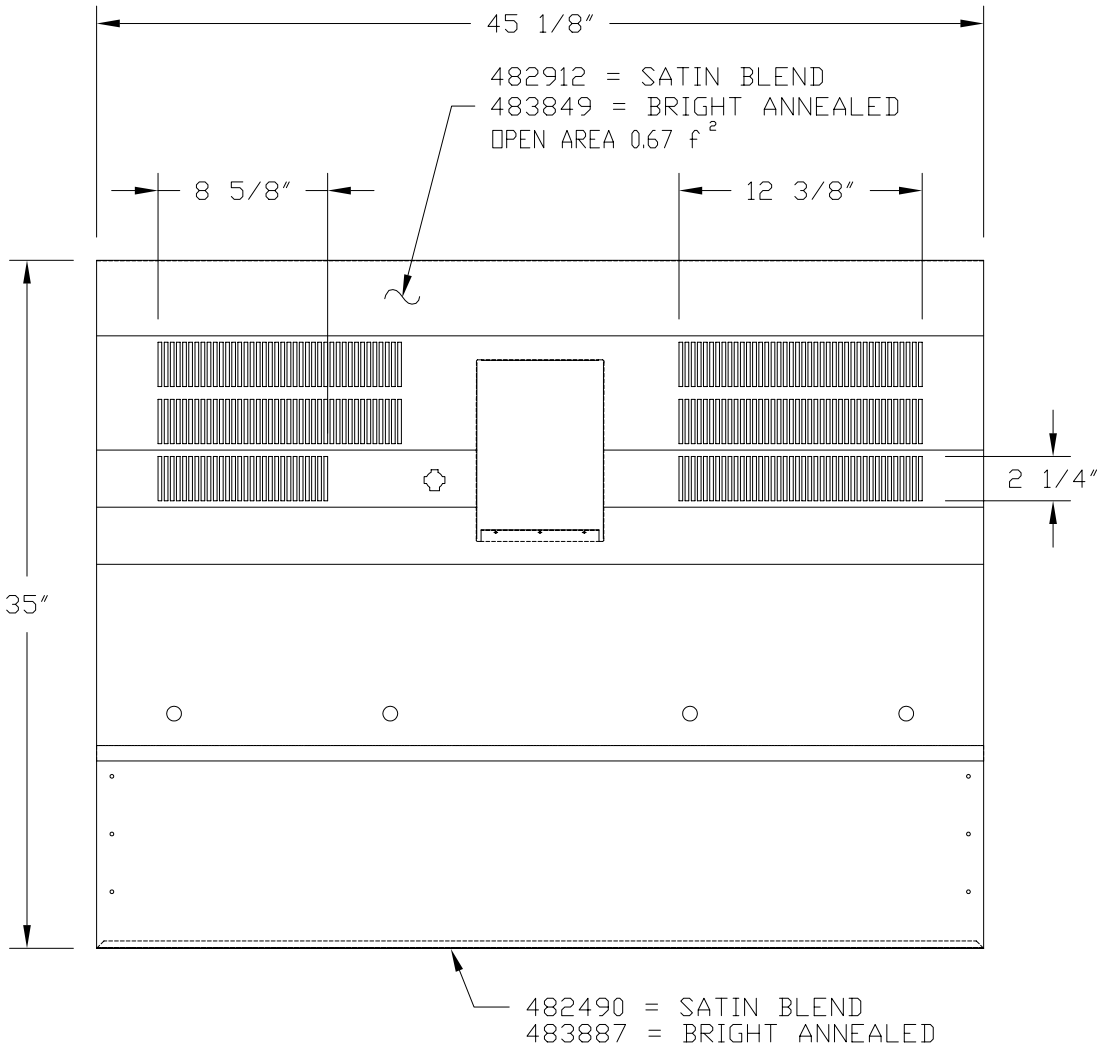
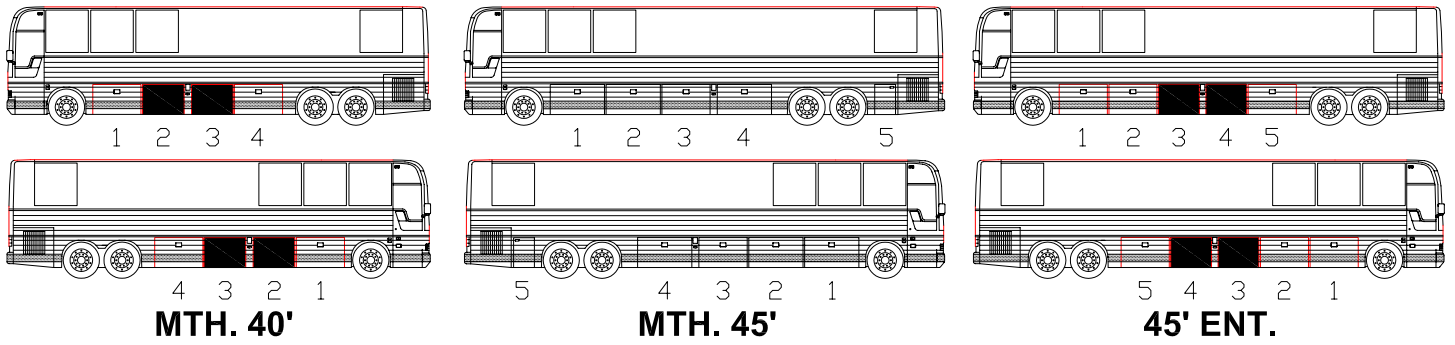
EXTERIOR VIEW

NOTE:

- SMALL LUGGAGE DOOR FOR MTH 40'
- SMALL LUGGAGE DOOR FOR 45' ENT.

TOTAL PERFORATED AREA: 2.24 f ²	EFF : Y-7046		DOOR ASSY ONLY IN SERVICE PART	N.A.
	PRIOR:			
DATE: 04-07	WITH INSULATION		OPTION LIST	482932
REV. : B	WITHOUT INSULATION	X		

PREVOST *Le Mirage XL*



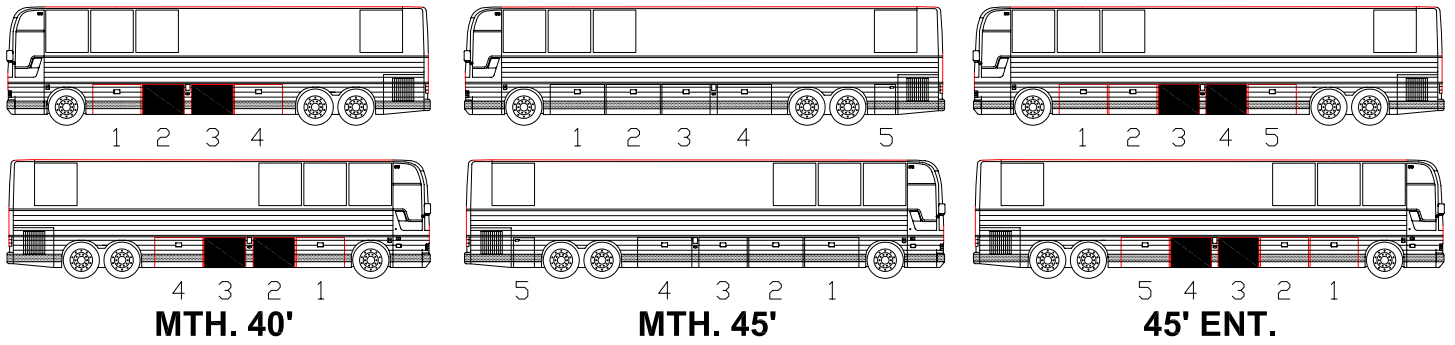
EXTERIOR VIEW

NOTE:

- SMALL LUGGAGE DOOR FOR MTH 40'
- SMALL LUGGAGE DOOR FOR 45' ENT.

TOTAL PERFORATED AREA: 0.67 f ²	EFF : Y-7046		DOOR ASSY ONLY IN SERVICE PART	N.A.
	PRIOR:			
DATE: 04-07	WITH INSULATION		OPTION LIST	482934
REV. : A	WITHOUT INSULATION	X		

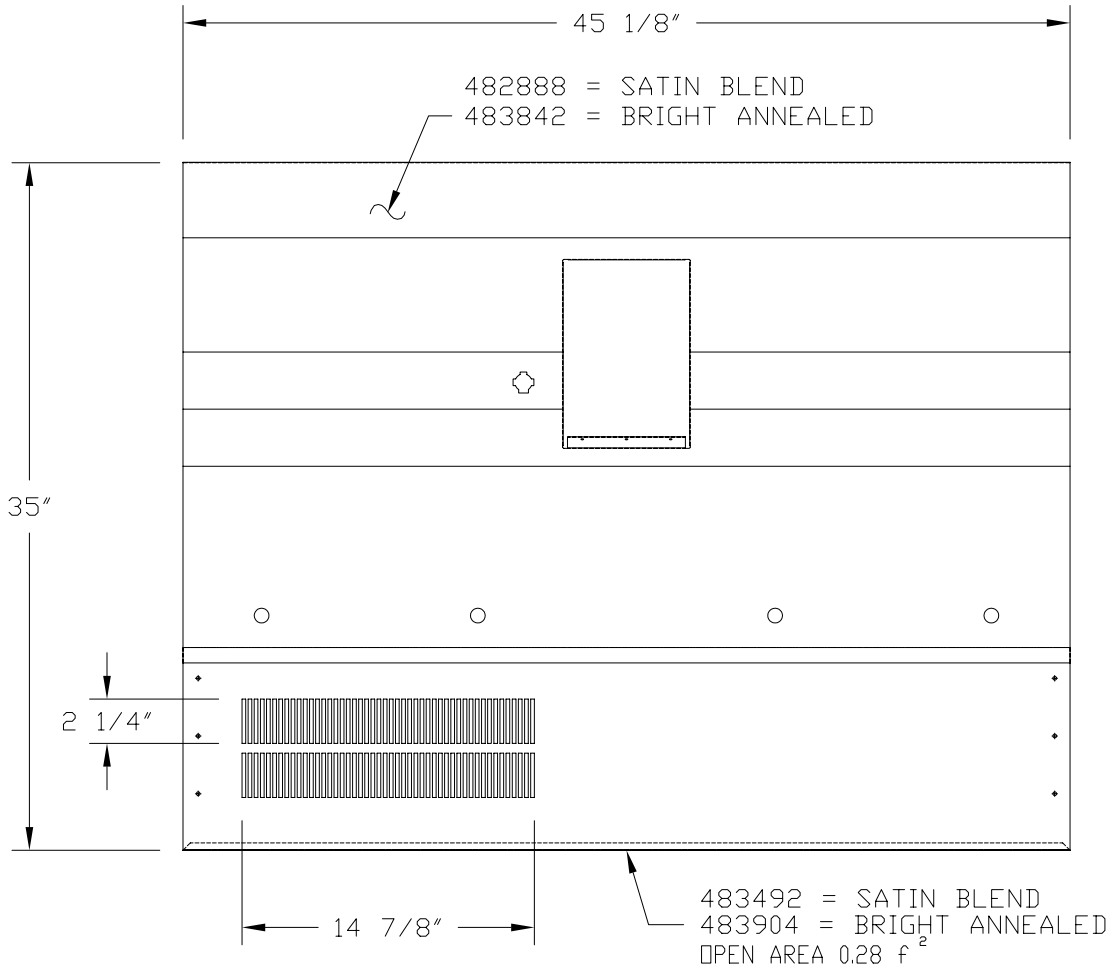
PREVOST *Le Mirage XL*



MTH. 40'

MTH. 45'

45' ENT.



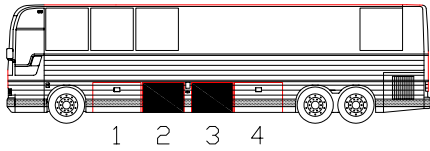
EXTERIOR VIEW

NOTE:

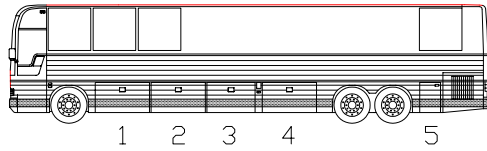
- SMALL LUGGAGE DOOR FOR MTH 40'
- SMALL LUGGAGE DOOR FOR 45' ENT.

TOTAL PERFORATED AREA: 0.28 f ²	EFF : Y-7046		DOOR ASSY ONLY IN SERVICE PART	N.A.
	PRIOR:			
DATE: 04-07	WITH INSULATION		OPTION LIST	476044A
REV. : B	WITHOUT INSULATION	X		

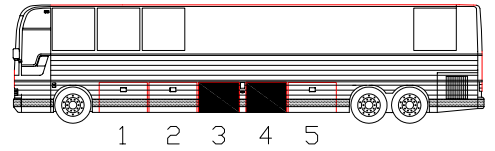
PREVOST Le Mirage XL



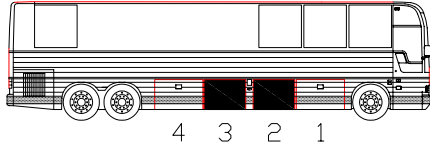
1 2 3 4



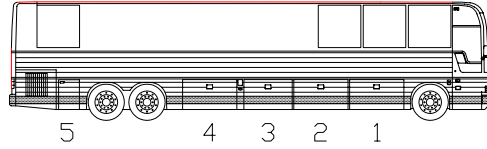
1 2 3 4 5



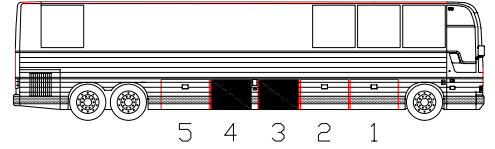
1 2 3 4 5



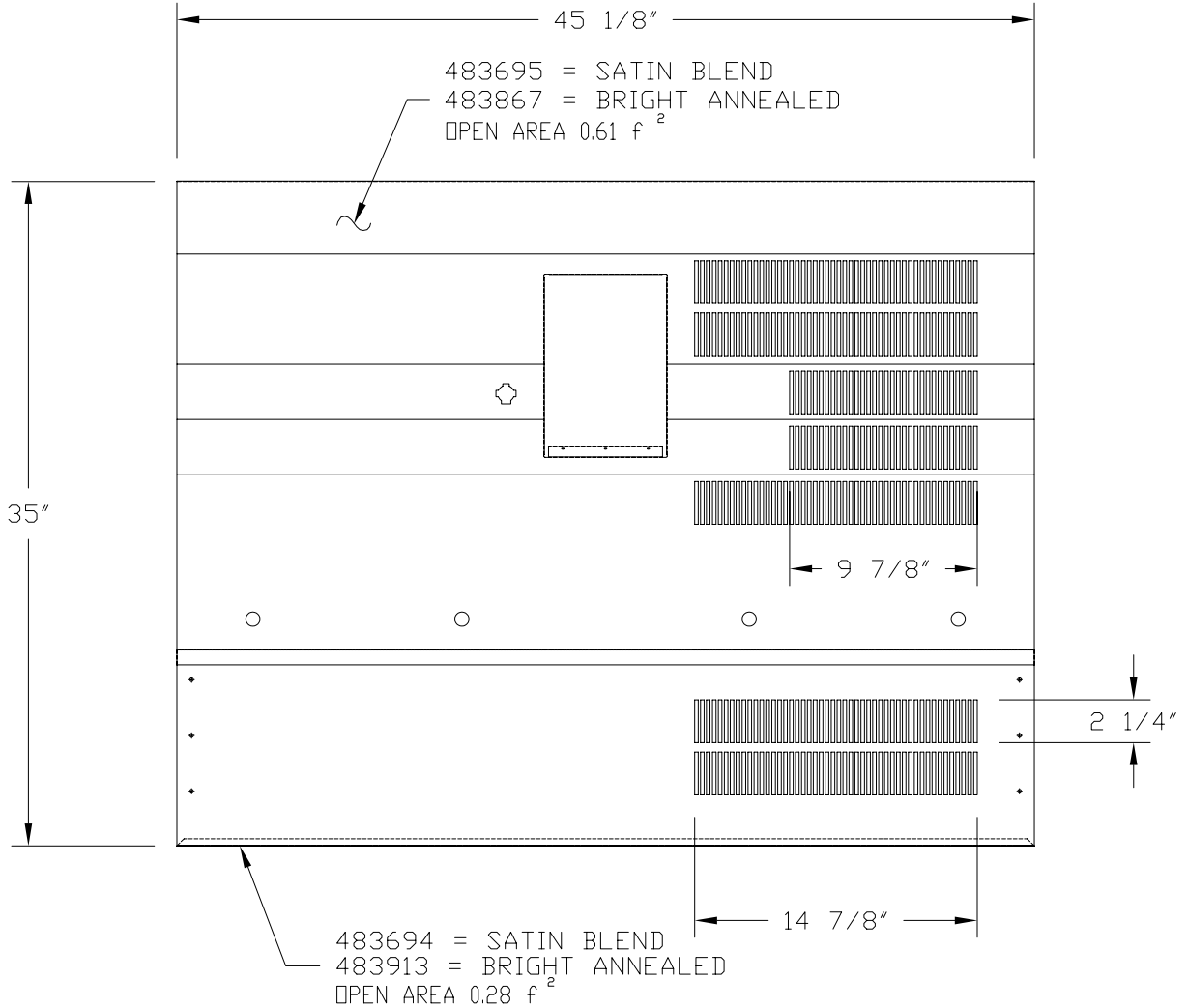
MTH. 40'



MTH. 45'



45' ENT.



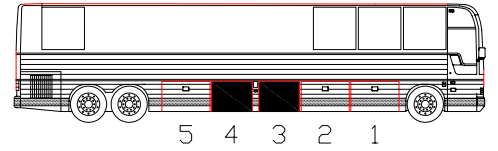
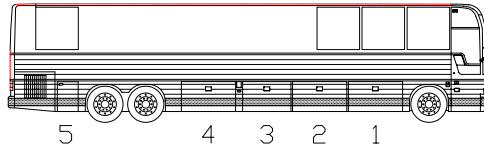
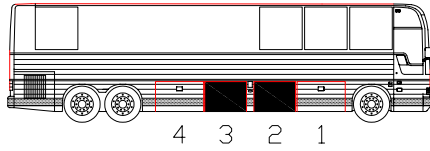
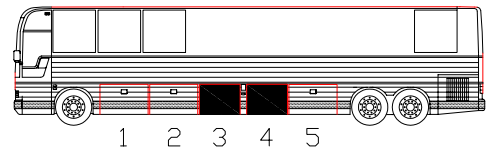
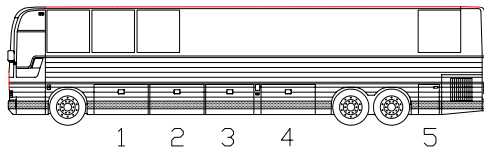
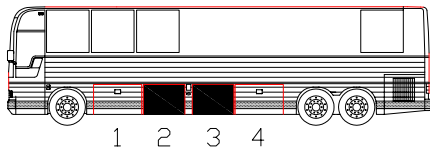
EXTERIOR VIEW

NOTE:

- SMALL LUGGAGE DOOR FOR MTH 40'
- SMALL LUGGAGE DOOR FOR 45' ENT.

TOTAL PERFORATED AREA: 0.89 f ²	EFF : Y-7046		DOOR ASSY ONLY IN SERVICE PART	N.A.
	PRIOR:			
DATE: 04-07	WITH INSULATION		OPTION LIST	476044B
REV. : B	WITHOUT INSULATION	X		

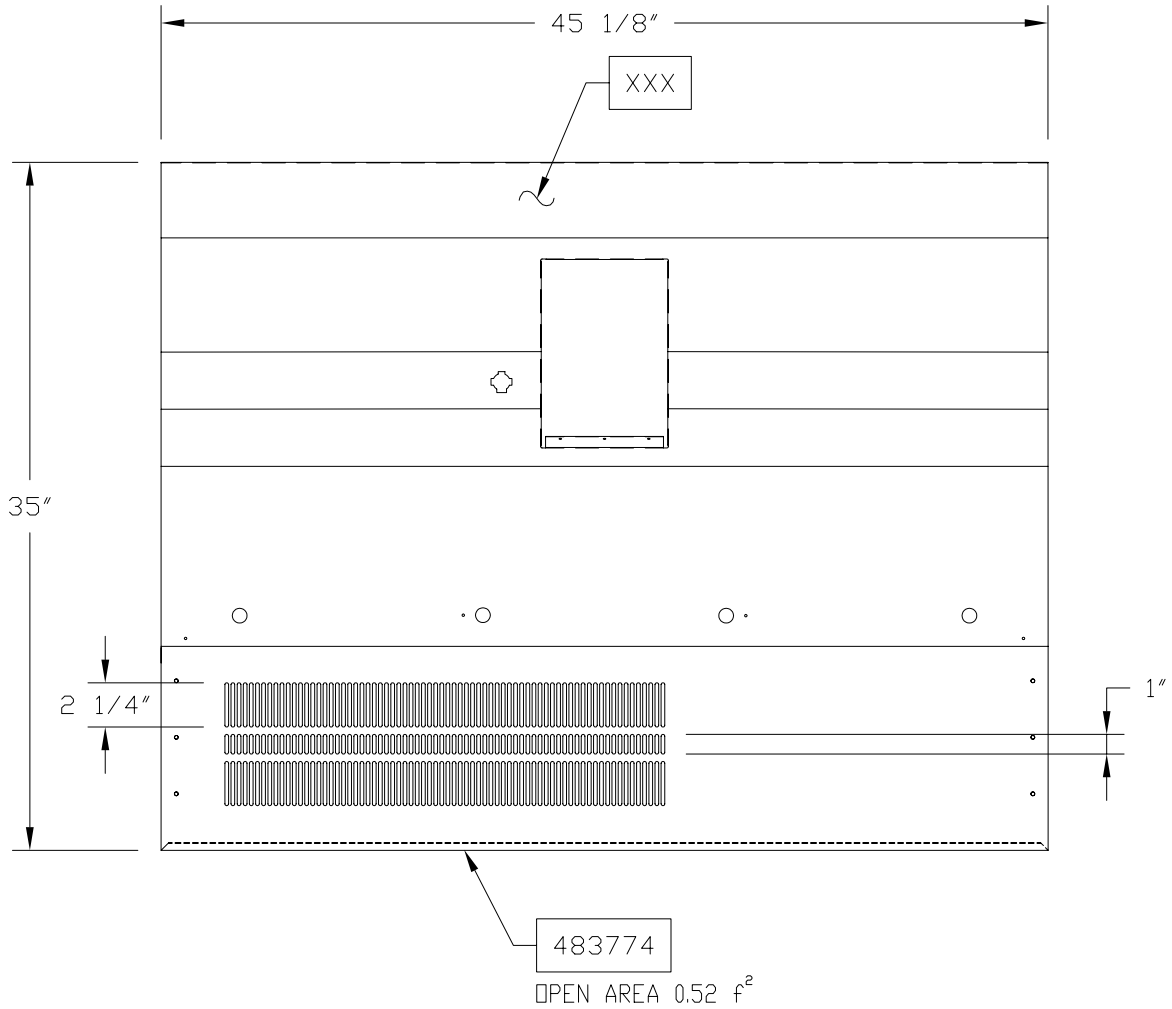
PREVOST® *Le Mirage XL* III



MTH. 40'

MTH. 45'

45' ENT.



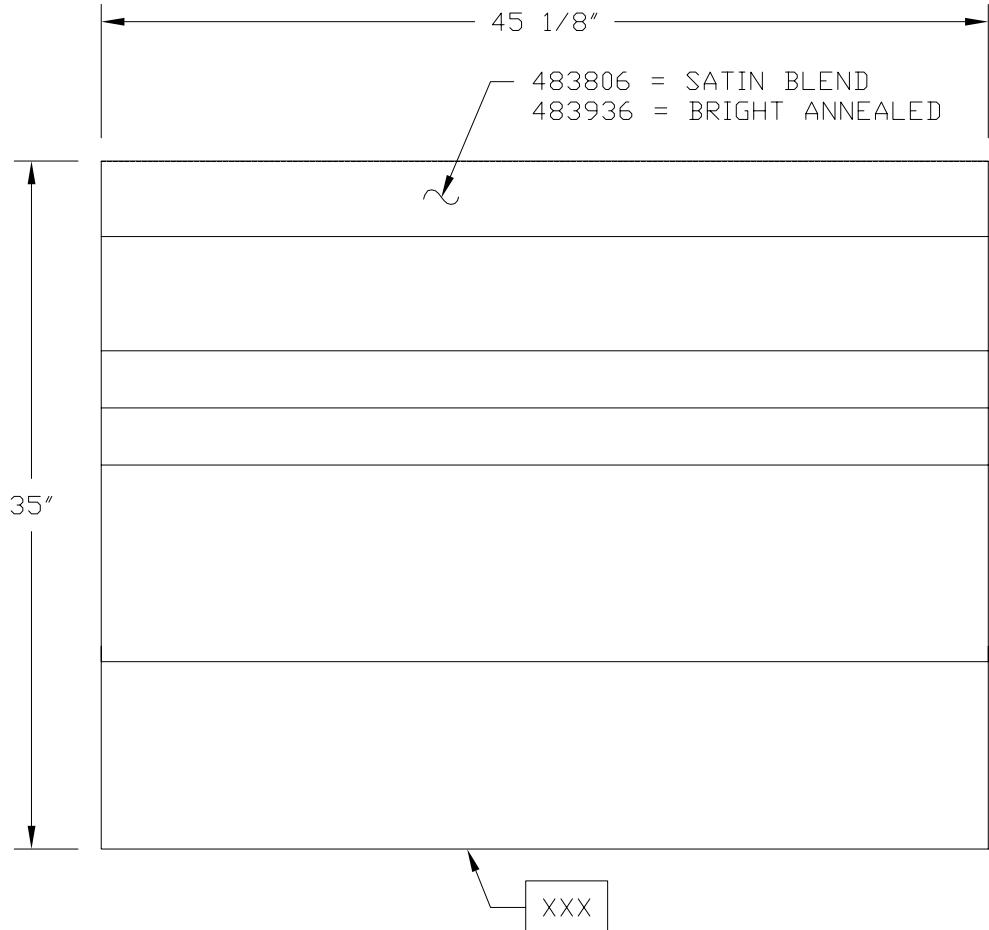
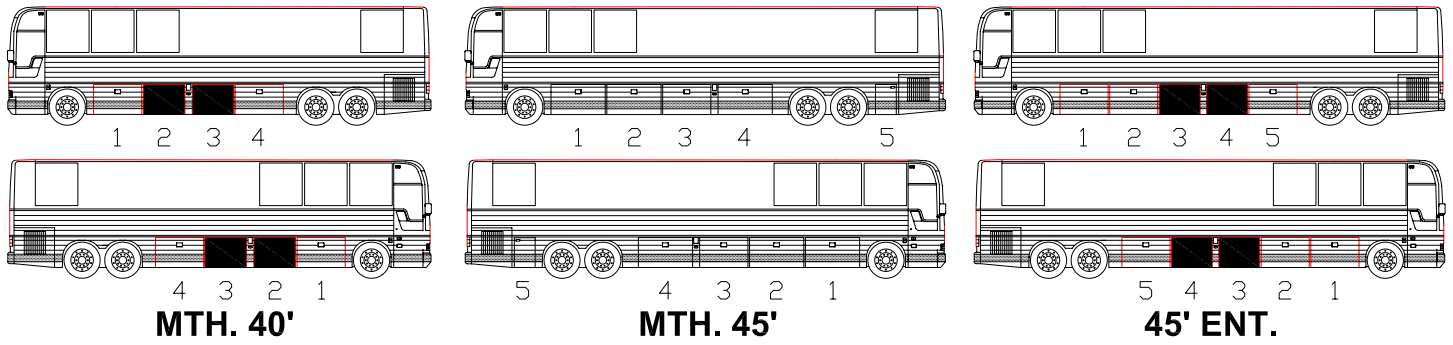
EXTERIOR VIEW

NOTE:

- SMALL LUGGAGE DOOR FOR MTH 40'
- SMALL LUGGAGE DOOR FOR MTH 45'

TOTAL PERFORATED AREA: 0.52 f ²	EFF : Y-7046	SERVICE PART ONLY	483774
	PRIOR:		
DATE: 04-07	WITH INSULATION	OPTION LIST	4745C2
REV. : A	WITHOUT INSULATION		

PREVOST® *Le Mirage XL* III



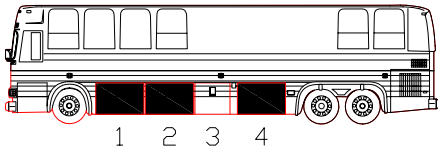
EXTERIOR VIEW

NOTE:

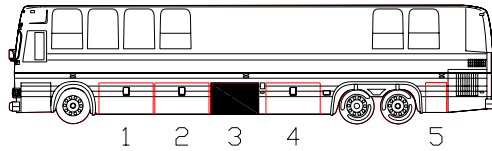
- LARGE LUGGAGE DOOR FOR MTH 40' / WITHOUT HANDLE
- LARGE LUGGAGE DOOR FOR MTH 45' / WITHOUT HANDLE

TOTAL PERFORATED AREA: 0.00 f ²	EFF : Y-7046	SERVICE PART ONLY	483806
	PRIOR:		
DATE: 04-07	WITH INSULATION	OPTION LIST	4745D
REV. :	WITHOUT INSULATION		

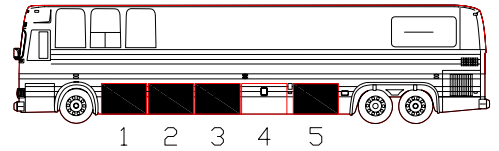
PREVOST XL SERIES



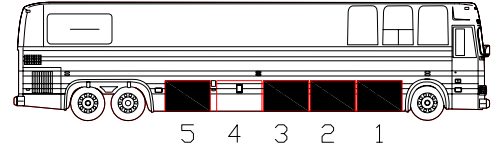
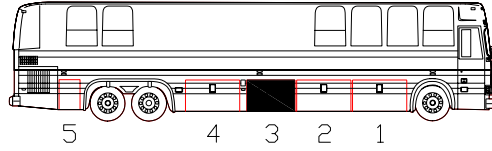
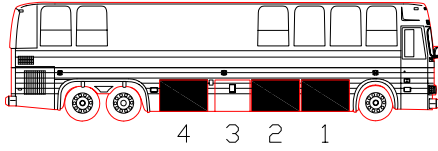
MTH. 40'



MTH. 45'



45' ENT.



53" BAGGAGE DOORS

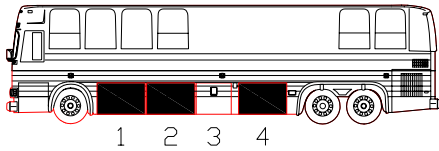
OPTION LIST	UPPER PANEL	LOWER PANEL	PERFORATED AREA F ²	INSULATION	
481037	481036	481003	NO		W/INTERIOR PANEL
481684	481036	481003	NO	X	
481694	481274	481275	3.04		
481695	481272	481273	0.74		
481696	481274	481003	1.95		
481697	481036	481275	1.09	X	
481698	481036	481273	0.46	X	
481699	481643	481639	0.36	X	
481700	481645	481641	0.63	X	
481753	481751	481273	0.60	X	
481760	481751	481003	0.14	X	
481781	481780	481779	1.37		
481853	481856	481273	0.70	X	
481858	481860	481003	1.67		
481859	481860	481275	2.75		
481871	481862	481003	0.75	X	
481875	481874	481003	0.14	X	
481876	481877	481779	1.11	X	
481878	481879	481880	1.38	X	
481908	481877	481003	0.64	X	
481909	481910	481911	1.65	X	
481912	481913	481003	0.92	X	
482160	481910	481003	1.01	X	

DOTTED AREAS ARE NOT IN PRODUCTION AT TIME OF PRINTING.

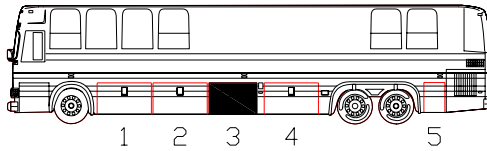
DATE: 04-07

REV.: D

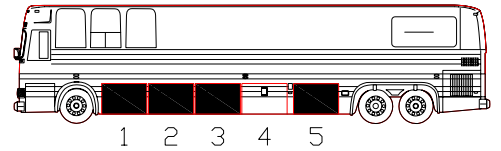
PREVOST® XL SERIES



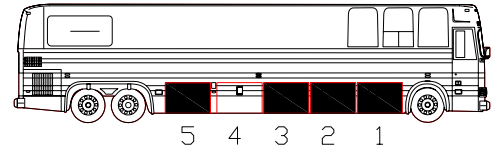
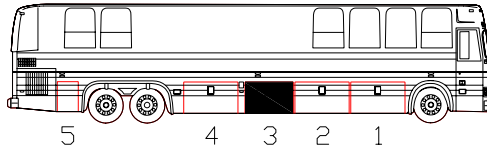
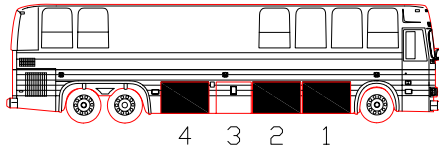
MTH. 40'



MTH. 45'



45' ENT.



53" BAGGAGE DOORS

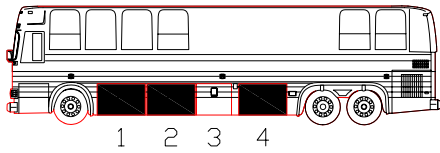
OPTION LIST	UPPER PANEL	LOWER PANEL	PERFORATED AREA F ²	INSULATION	
482163	482162	481003	0.75	X	
482182	482183	482184	1.65		
482294	482286	482287	3.03		SEE DRAWING
482353	481913	481779	1.39	X	
482447	-	482420	2.96		W/SLIDE OUT
482546	482547	481003	1.39		
482692	481877	481275	1.74	X	
482710	482162	481880	1.21		
482727	481879	481275	2.01		
482740	481036	473522	0.22	X	
482756	482183	481003	1.02	X	
482757	482286	481003	1.94		
482761	482722	481003	0.28	X	
482775	482770	481003	0.35	X	
482784	482780	481003	1.31		
482785	482781	481003	0.37		
482789	482786	481003	2.04		
482792	482786	481275	3.12		
482817	481879	481003	0.92		
482999	481036	483000	0.74		
4753D	N.A.	473462	0.11		
4753E	N.A.	482680	1.16		

DOTTED AREAS ARE NOT IN PRODUCTION AT TIME OF PRINTING.

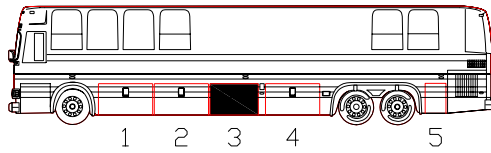
DATE: 04-07

REV.: D

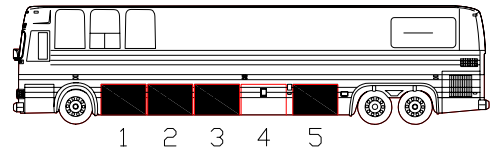
PREVOST XL SERIES



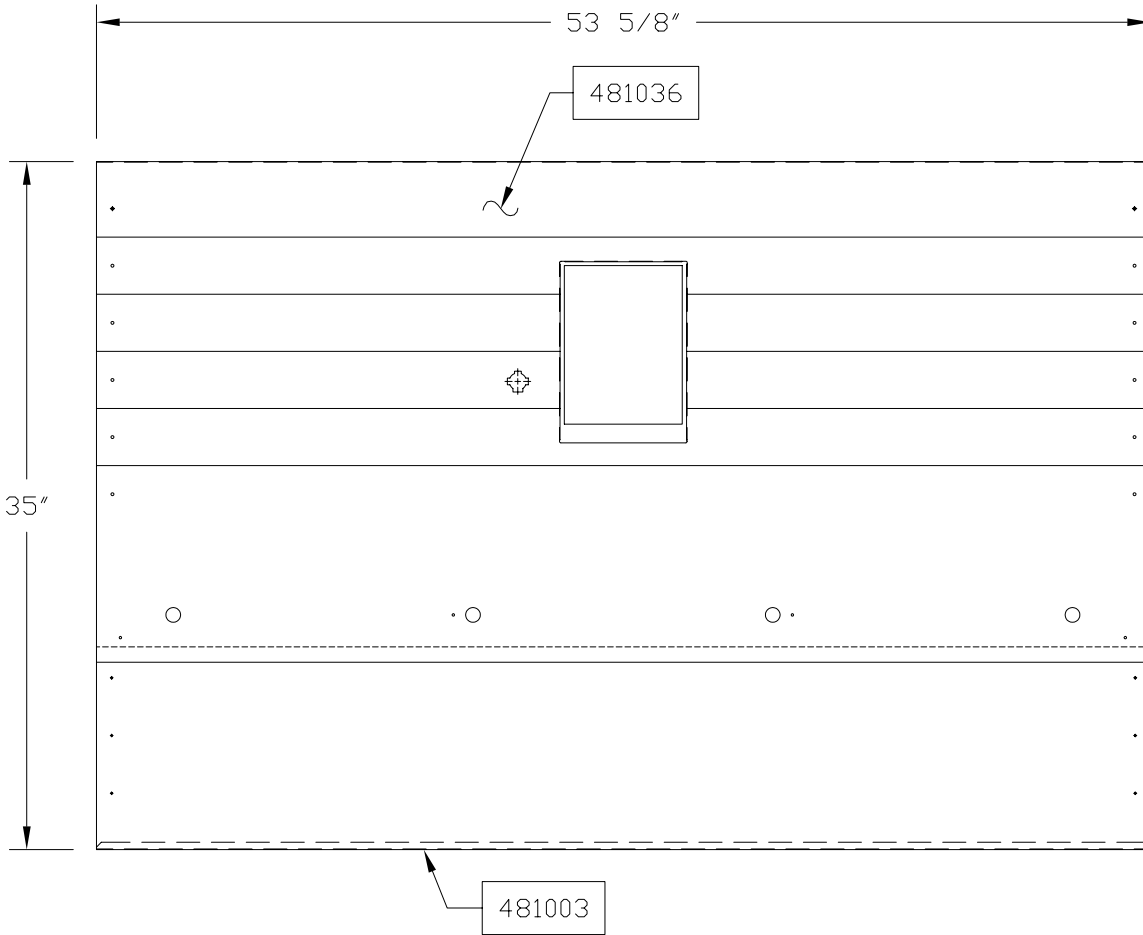
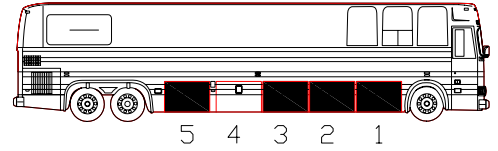
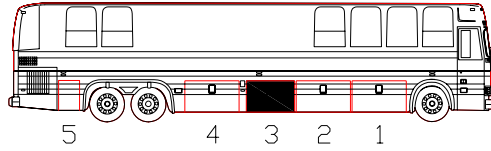
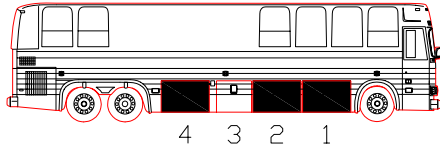
MTH. 40'



MTH. 45'



45' ENT.



EXTERIOR VIEW

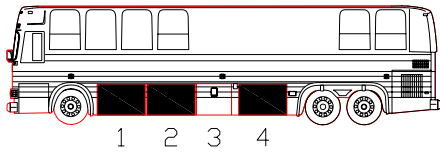
NOTE:

- LARGE LUGGAGE DOOR FOR MTH 40'
- SMALL LUGGAGE DOOR FOR MTH 45'
- LARGE LUGGAGE DOOR FOR 45' ENT.
WITH INTERIOR PANEL #481786

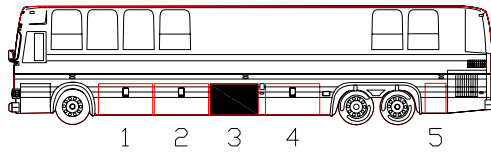
POSITION 2 ON M.T.H. 40' AND
3 ON 45' ENT ARE NOT VALID
STARTING WITH V-6258.
SEE 45" DOOR OPTION LIST.

TOTAL PERFORATED AREA: 0000 f ²	EFF : E-638	DOOR ASSY ONLY IN SERVICE PART	481037P
	PRIOR: Y-7045		
DATE: 99-12	WITH INSULATION	OPTION LIST	481037
REV. : A	WITHOUT INSULATION X		

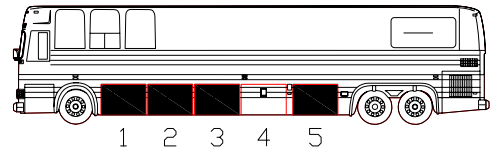
PREVOST XL SERIES



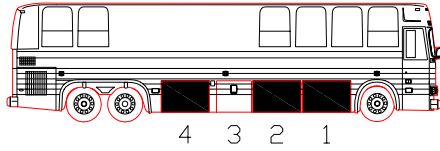
1 2 3 4



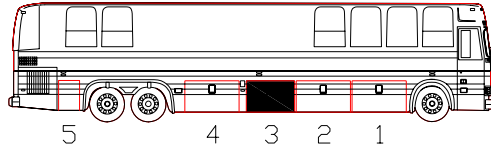
1 2 3 4 5



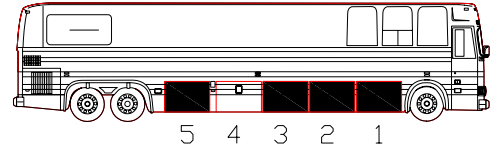
1 2 3 4 5



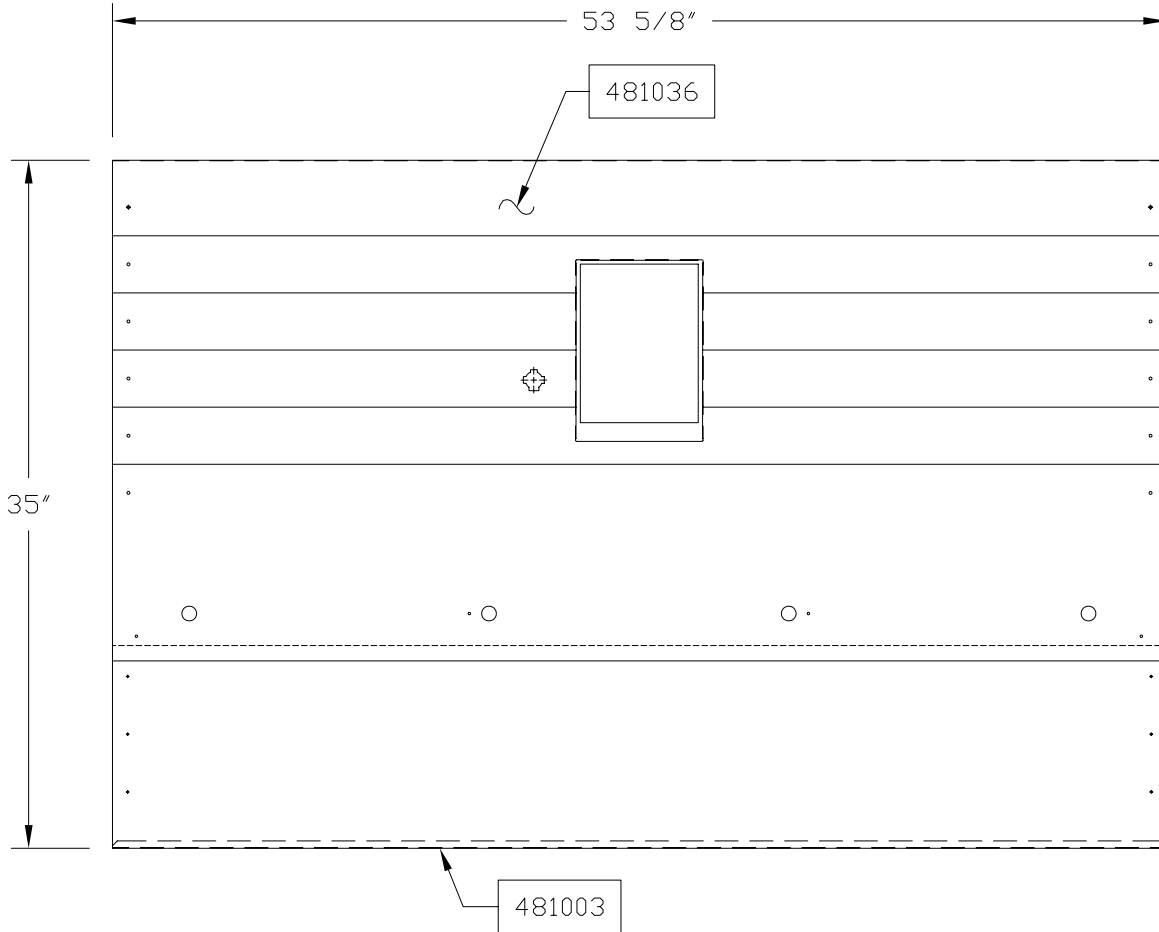
MTH. 40'



MTH. 45'



45' ENT.



EXTERIOR VIEW

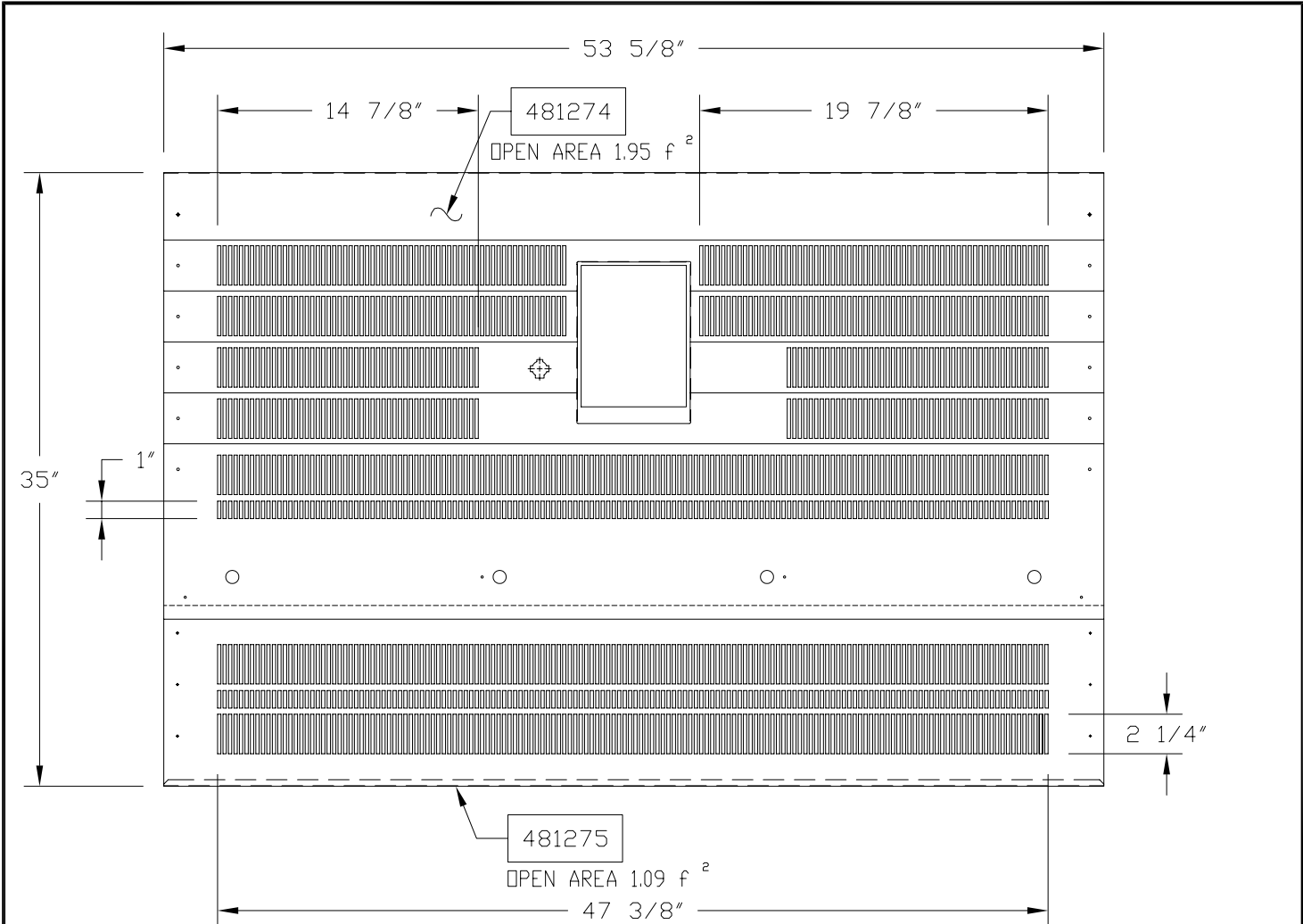
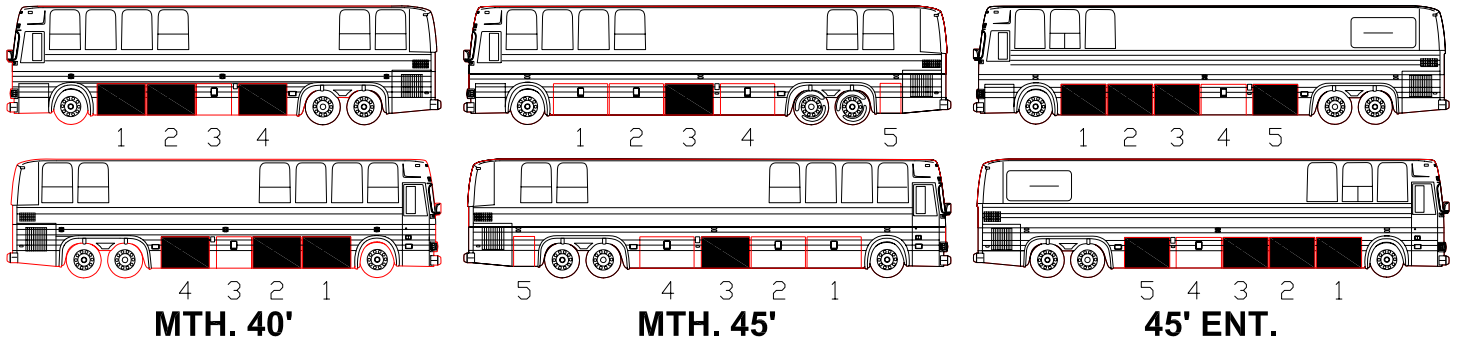
NOTE:

- LARGE LUGGAGE DOOR FOR MTH 40'
- SMALL LUGGAGE DOOR FOR MTH 45'
- LARGE LUGGAGE DOOR FOR 45' ENT.
W/O INTERIOR PANEL

POSITION 2 ON M.T.H. 40' AND
3 ON 45' ENT ARE NOT VALID
STARTING WITH V-6258.
SEE 45" DOOR OPTION LIST.

TOTAL PERFORATED AREA: 0000 f ²	EFF : E-638		DOOR ASSY ONLY IN SERVICE PART	481213
	PRIOR: Y-7045			
DATE: 99-12	WITH INSULATION	X	OPTION LIST	481684
REV.: A	WITHOUT INSULATION			

PREVOST XL SERIES



EXTERIOR VIEW

NOTE:

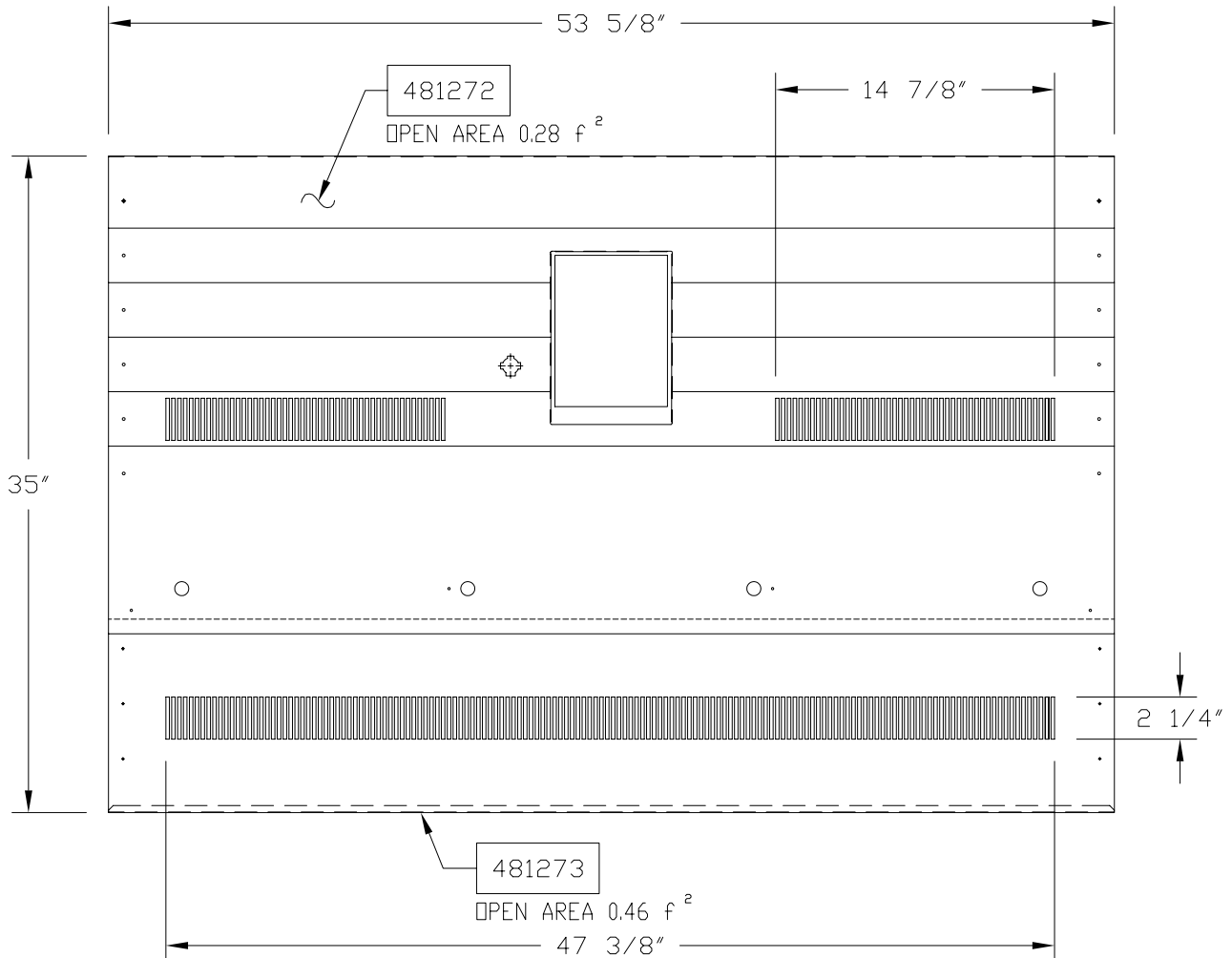
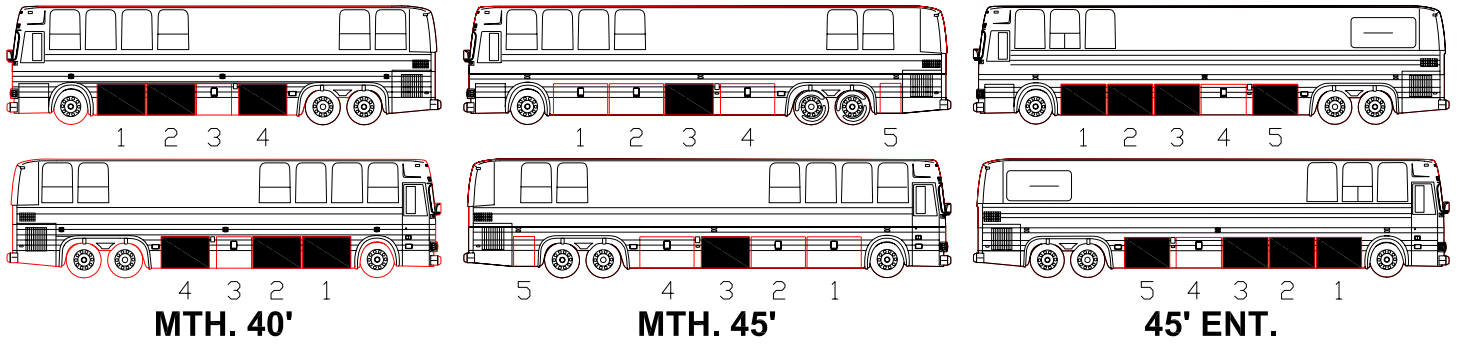
- LARGE LUGGAGE DOOR FOR MTH 40'
- SMALL LUGGAGE DOOR FOR MTH 45'
- LARGE LUGGAGE DOOR FOR 45' ENT.

POSITION 2 ON M.T.H. 40' AND
3 ON 45' ENT ARE NOT VALID
STARTING WITH V-6258.
SEE 45" DOOR OPTION LIST.

SEE ALSO OPTION LIST #481859.

TOTAL PERFORATED AREA: 3.04 f ²	EFF : E-638	DOOR ASSY ONLY IN SERVICE PART	481284
	PRIOR: L-684		
DATE: 98-03	WITH INSULATION	OPTION LIST	481694
REV. :	WITHOUT INSULATION X		

PREVOST XL SERIES



EXTERIOR VIEW

NOTE:

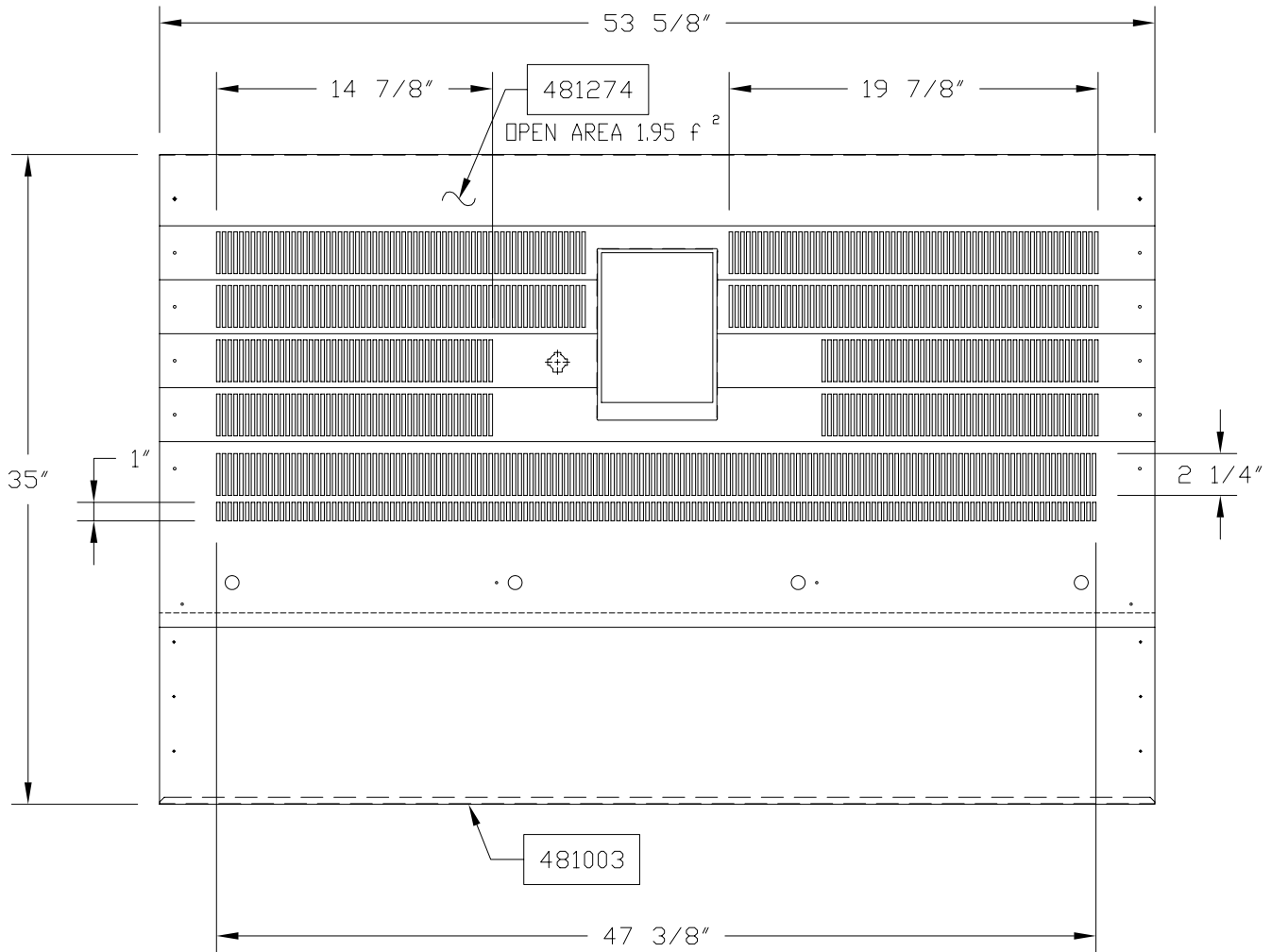
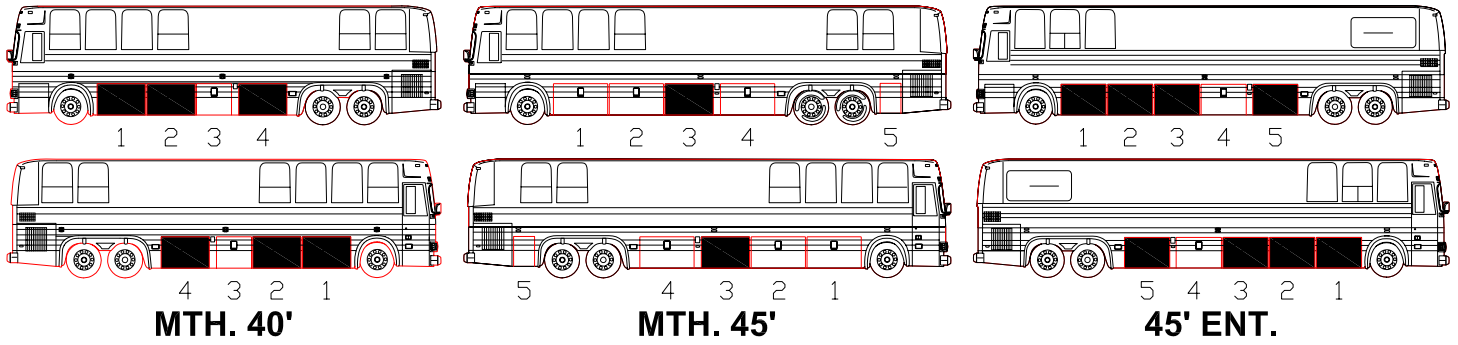
- LARGE LUGGAGE DOOR FOR MTH 40'
- SMALL LUGGAGE DOOR FOR MTH 45'
- LARGE LUGGAGE DOOR FOR 45' ENT.

POSITION 2 ON M.T.H. 40' AND
3 ON 45' ENT ARE NOT VALID
STARTING WITH V-6258.
SEE 45" DOOR OPTION LIST.

SEE ALSO OPTION LIST #481853

TOTAL PERFORATED AREA: 0.74 f ²	EFF : E-638	DOOR ASSY ONLY IN SERVICE PART	481285
	PRIOR: L-684		
DATE: 98-03	WITH INSULATION	OPTION LIST	481695
REV. :	WITHOUT INSULATION		

PREVOST XL SERIES



EXTERIOR VIEW

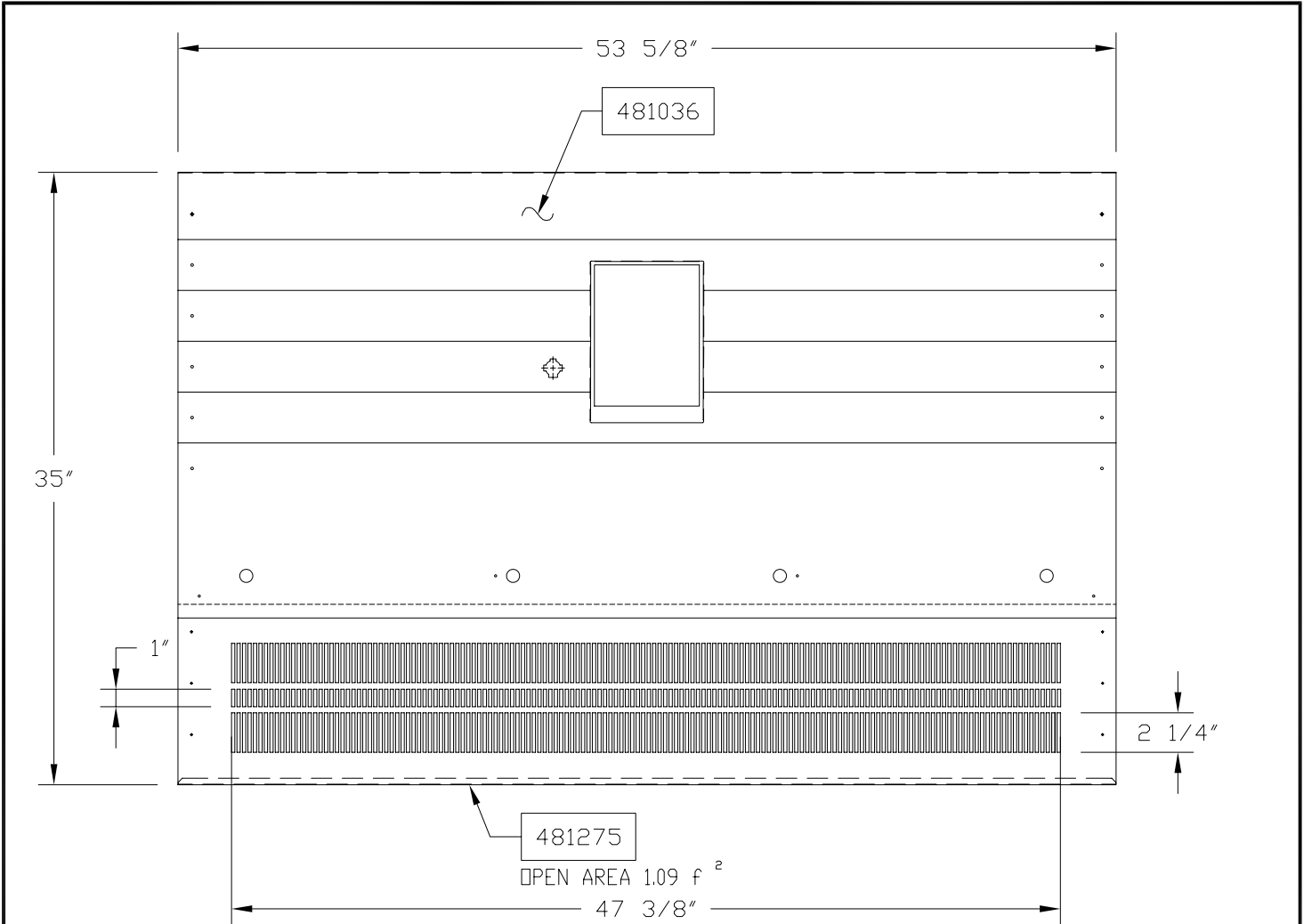
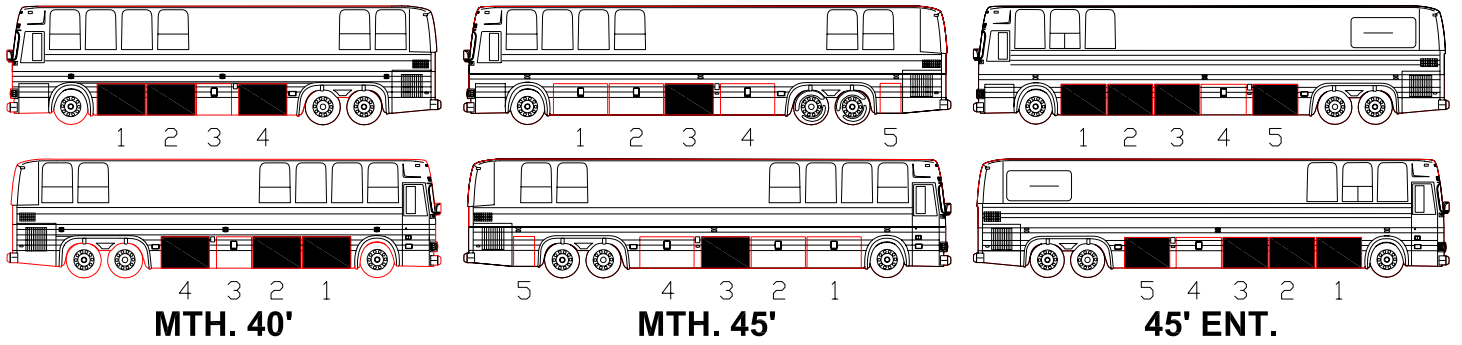
NOTE:

- LARGE LUGGAGE DOOR FOR MTH 40'
- SMALL LUGGAGE DOOR FOR MTH 45'
- LARGE LUGGAGE DOOR FOR 45' ENT.

POSITION 2 ON M.T.H. 40' AND
3 ON 45' ENT ARE NOT VALID
STARTING WITH V-6258.
SEE 45" DOOR OPTION LIST.

TOTAL PERFORATED AREA: 1.95 f ²	EFF : E-638	DOOR ASSY ONLY IN SERVICE PART	481300
	PRIOR: L-684		
DATE: 98-03	WITH INSULATION	OPTION LIST	481696
REV. :	WITHOUT INSULATION X		

PREVOST XL SERIES



EXTERIOR VIEW

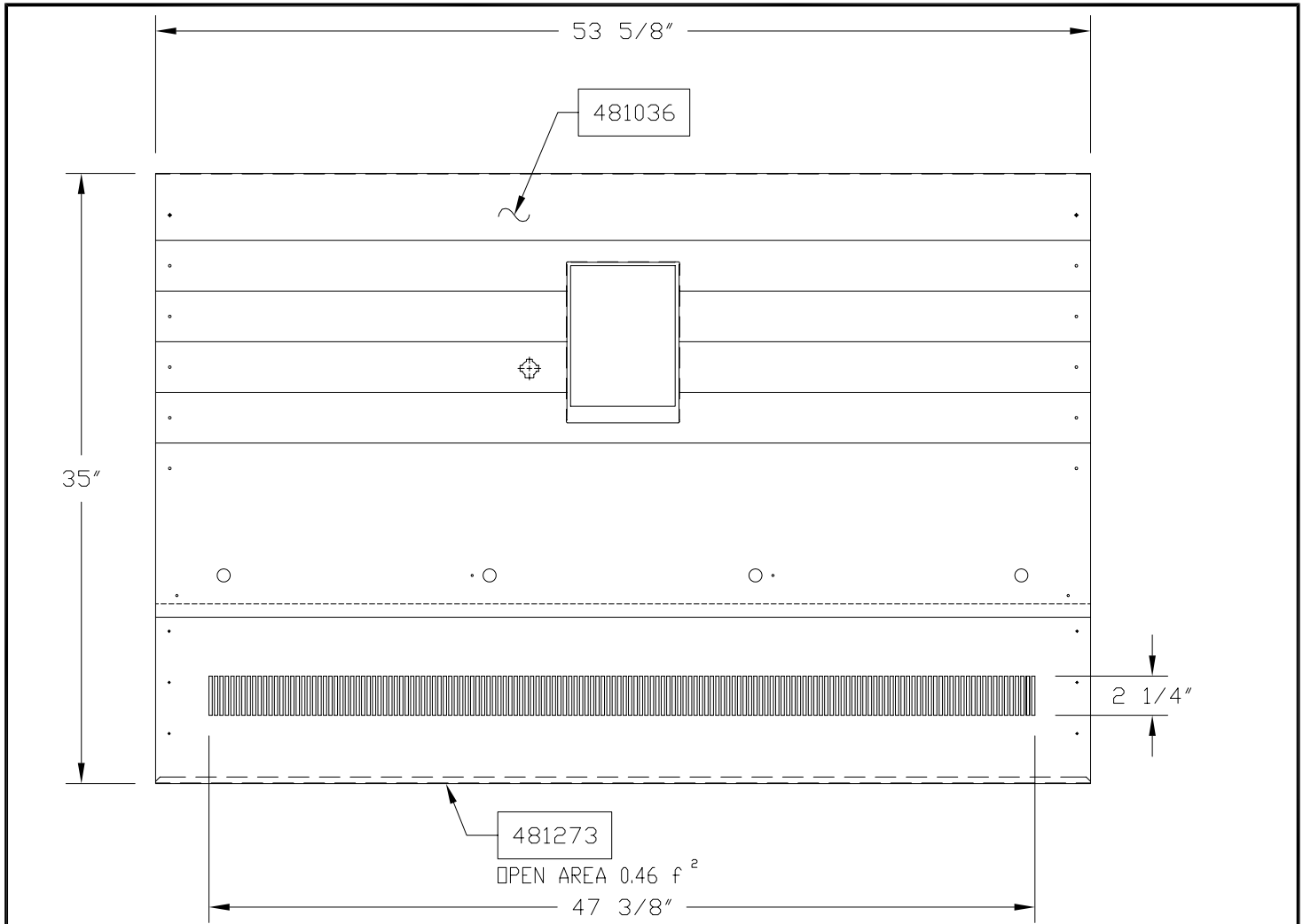
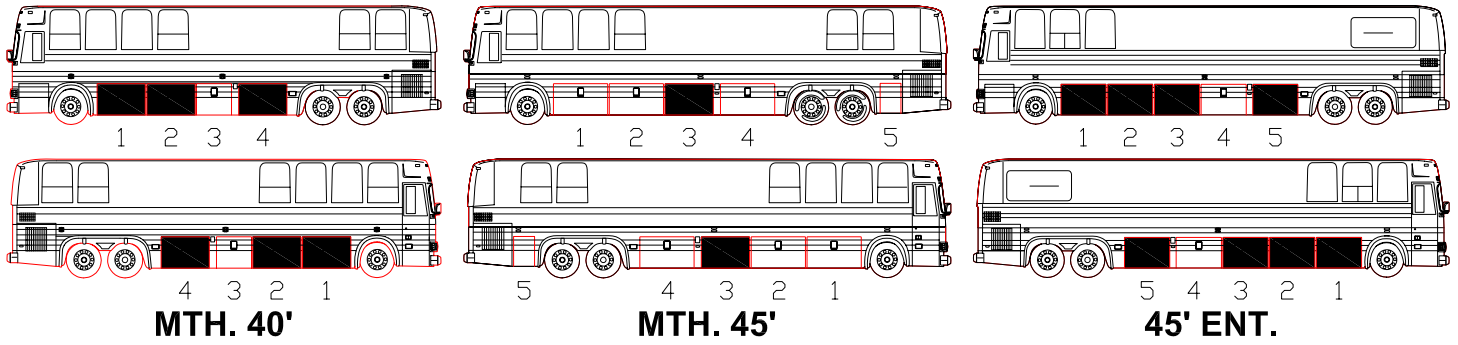
NOTE:

- LARGE LUGGAGE DOOR FOR MTH 40'
- SMALL LUGGAGE DOOR FOR MTH 45'
- LARGE LUGGAGE DOOR FOR 45' ENT.

POSITION 2 ON M.T.H. 40' AND
3 ON 45' ENT ARE NOT VALID
STARTING WITH V-6258.
SEE 45" DOOR OPTION LIST.

TOTAL PERFORATED AREA: 1.09 f ²	EFF : E-638		DOOR ASSY ONLY IN SERVICE PART	481331
	PRIOR: Y-7045			
DATE: 99-12	WITH INSULATION	X	OPTION LIST	481697
REV.: A	WITHOUT INSULATION			

PREVOST XL SERIES



EXTERIOR VIEW

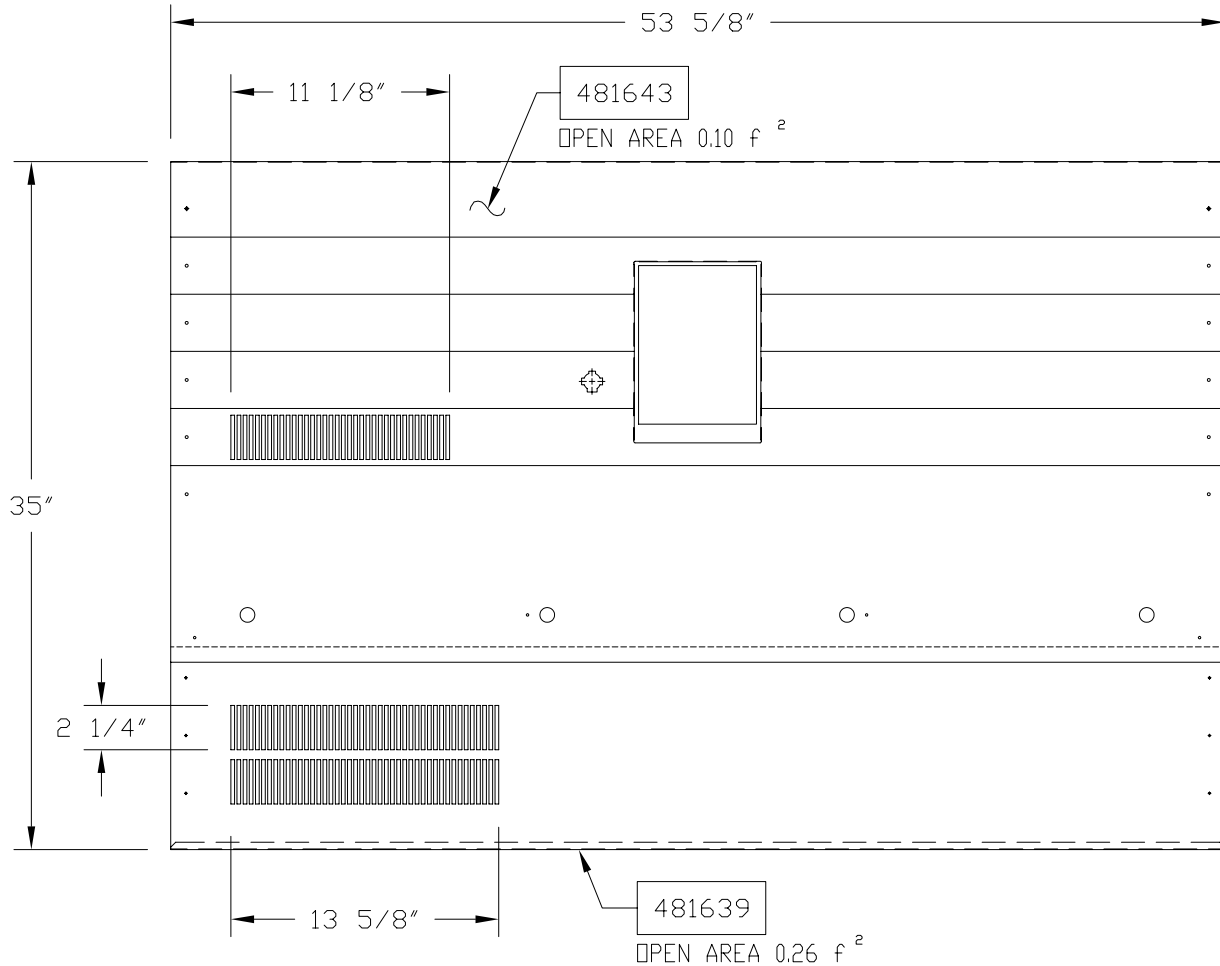
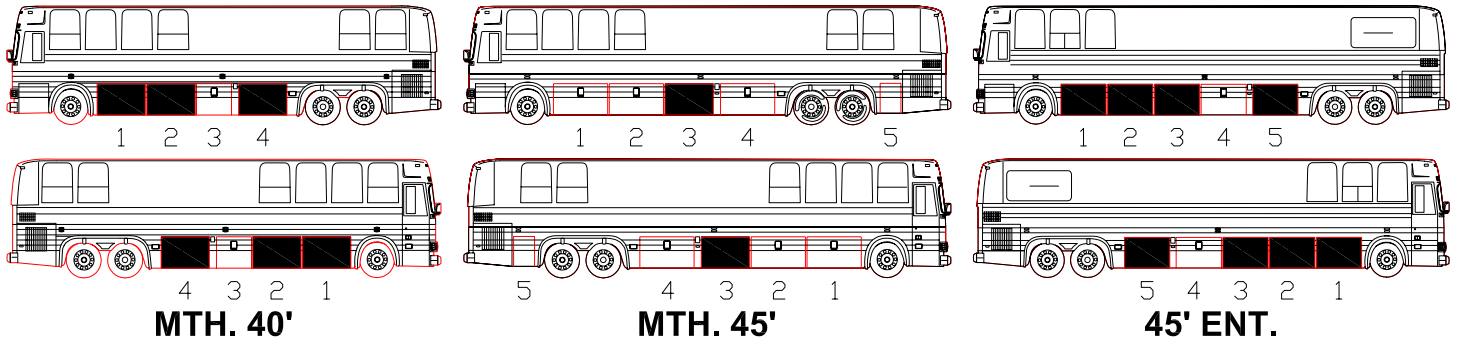
NOTE:

- LARGE LUGGAGE DOOR FOR MTH 40'
- SMALL LUGGAGE DOOR FOR MTH 45'
- LARGE LUGGAGE DOOR FOR 45' ENT.

POSITION 2 ON M.T.H. 40' AND 3 ON 45' ENT ARE NOT VALID STARTING WITH V-6258. SEE 45" DOOR OPTION LIST.

TOTAL PERFORATED AREA: 0.46 f ²	EFF : E-638		DOOR ASSY ONLY IN SERVICE PART	481545
	PRIOR: Y-7045			
DATE: 99-12	WITH INSULATION	X	OPTION LIST	481698
REV. : A	WITHOUT INSULATION			

PREVOST XL SERIES



EXTERIOR VIEW

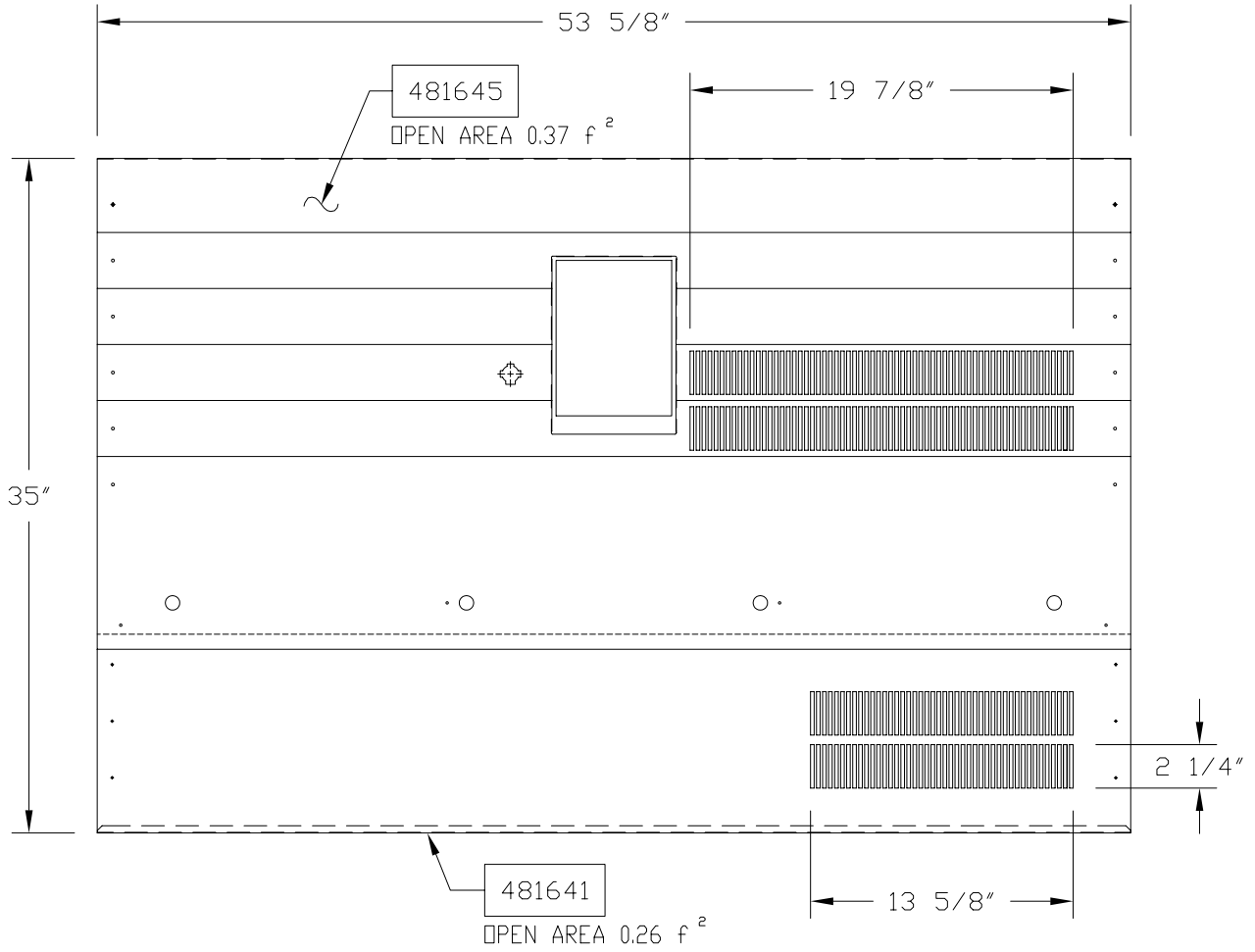
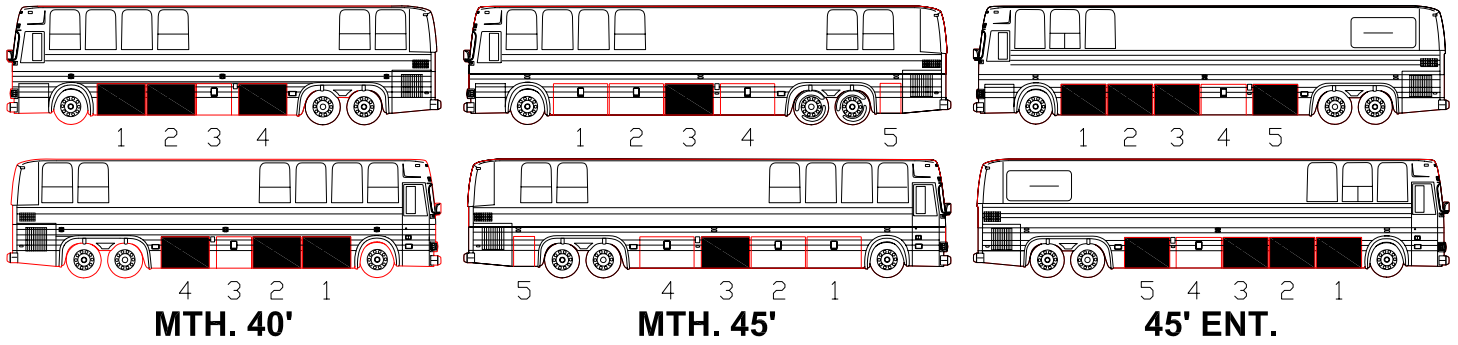
NOTE:

- LARGE LUGGAGE DOOR FOR MTH 40'
- SMALL LUGGAGE DOOR FOR MTH 45'
- LARGE LUGGAGE DOOR FOR 45' ENT.

POSITION 2 ON M.T.H. 40' AND
3 ON 45' ENT ARE NOT VALID
STARTING WITH V-6258.
SEE 45" DOOR OPTION LIST.

TOTAL PERFORATED AREA: 0.36 f ²	EFF : E-638		DOOR ASSY ONLY IN SERVICE PART	481647
	PRIOR: Y-7045			
DATE: 99-12	WITH INSULATION	X	OPTION LIST	481699
REV.: A	WITHOUT INSULATION			

PREVOST XL SERIES



EXTERIOR VIEW

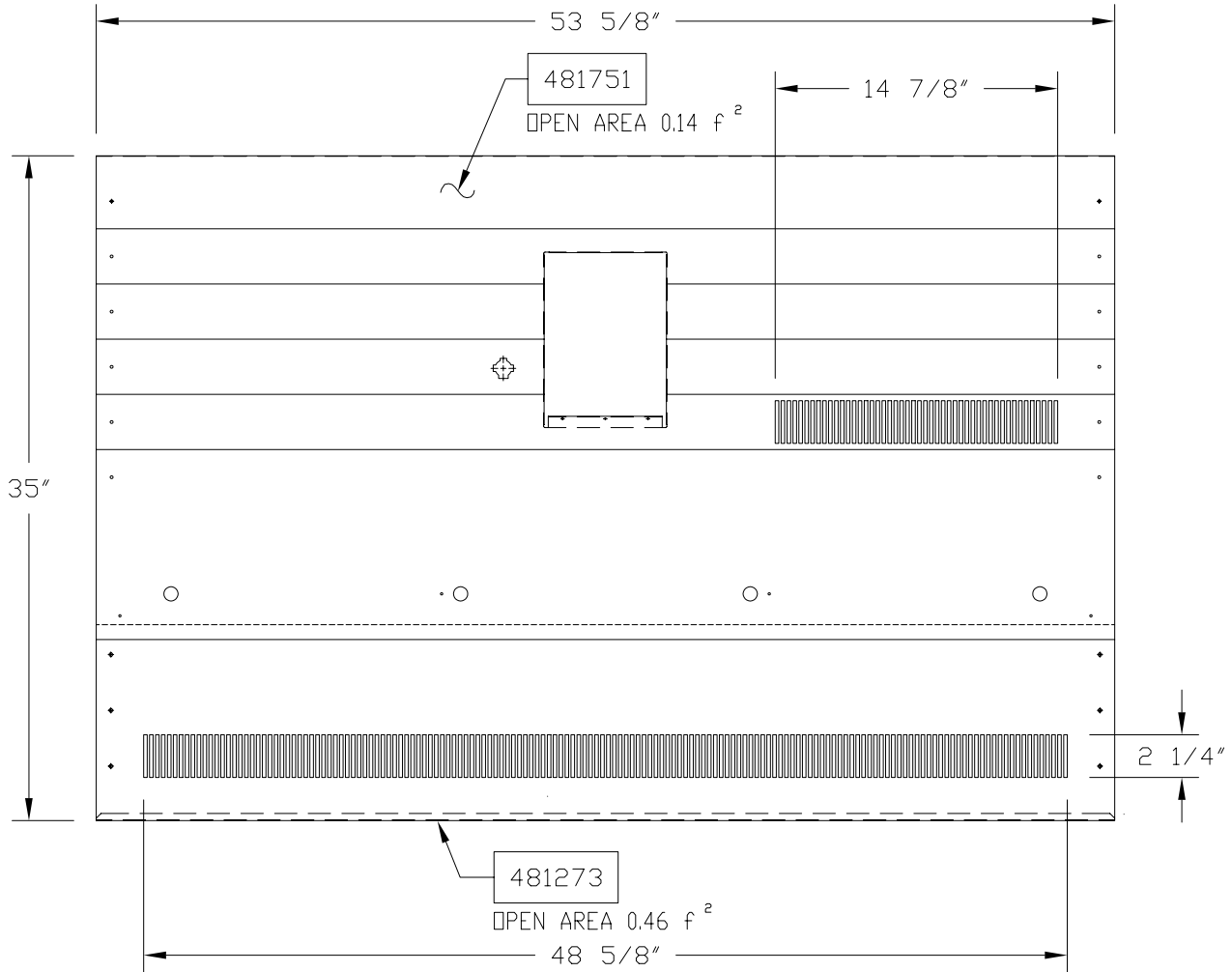
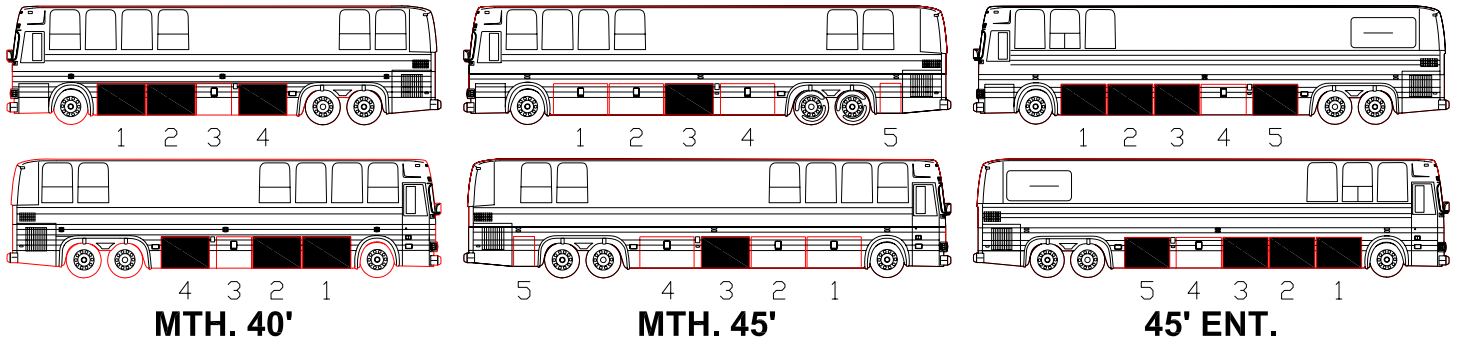
NOTE:

- LARGE LUGGAGE DOOR FOR MTH 40'
- SMALL LUGGAGE DOOR FOR MTH 45'
- LARGE LUGGAGE DOOR FOR 45' ENT.

POSITION 2 ON M.T.H. 40' AND 3 ON 45' ENT ARE NOT VALID STARTING WITH V-6258. SEE 45" DOOR OPTION LIST.

TOTAL PERFORATED AREA: 0.63 f ²	EFF : E-638		DOOR ASSY ONLY IN SERVICE PART	481648
	PRIOR: Y-7045			
DATE: 99-12	WITH INSULATION	X	OPTION LIST	481700
REV.: A	WITHOUT INSULATION			

PREVOST XL SERIES



EXTERIOR VIEW

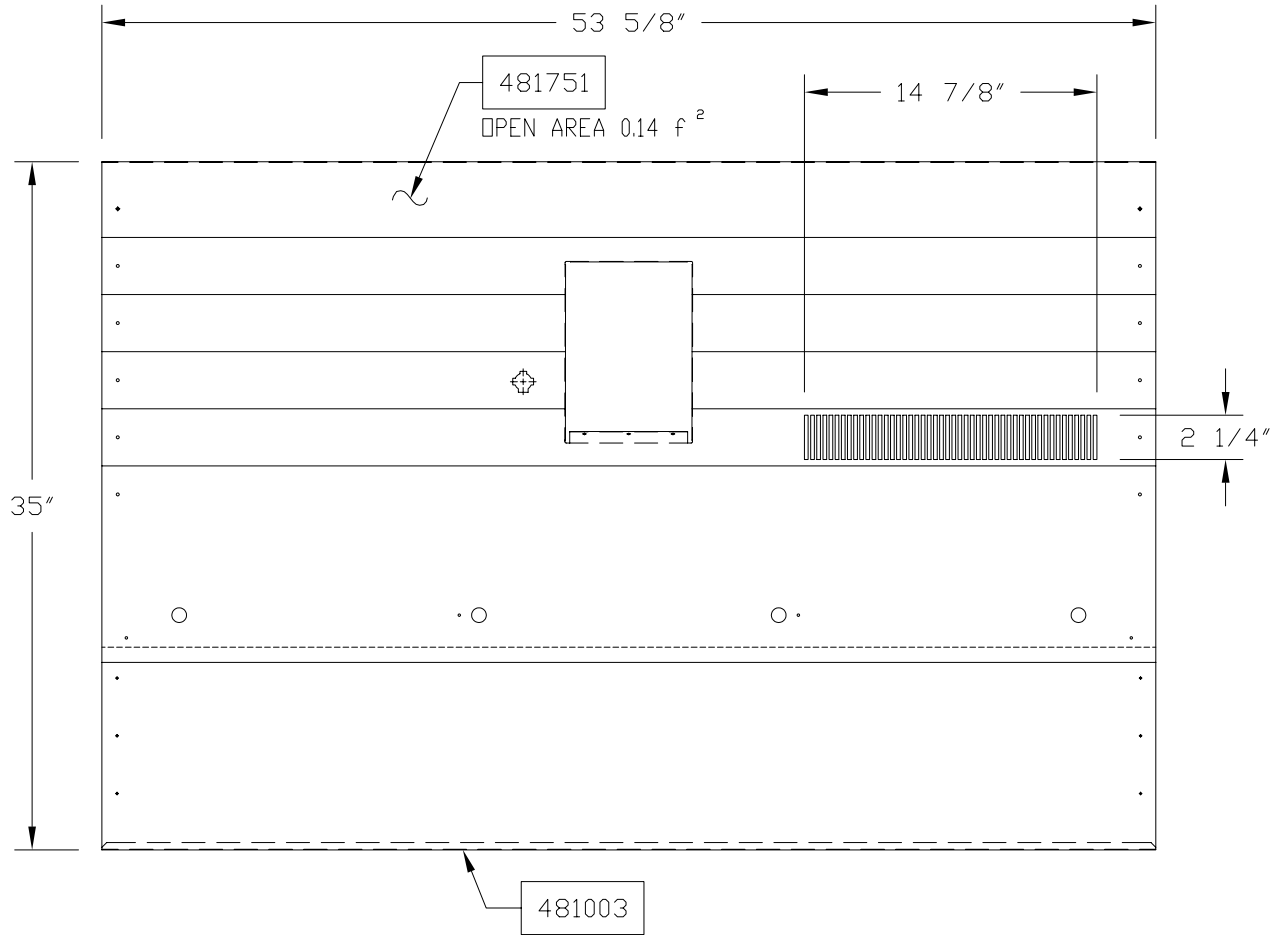
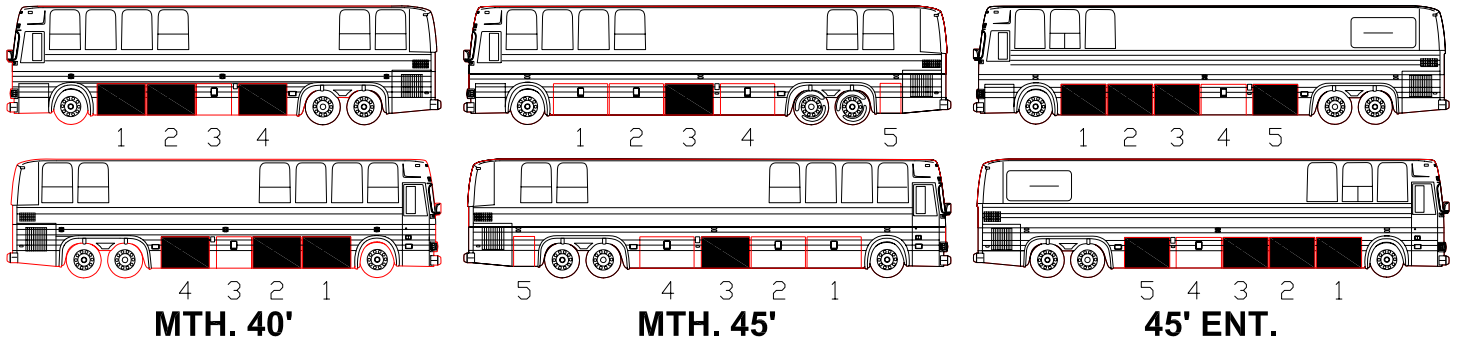
NOTE:

- LARGE LUGGAGE DOOR FOR MTH 40'
- SMALL LUGGAGE DOOR FOR MTH 45'
- LARGE LUGGAGE DOOR FOR 45' ENT.

POSITION 2 ON M.T.H. 40' AND
3 ON 45' ENT ARE NOT VALID
STARTING WITH V-6258.
SEE 45" DOOR OPTION LIST.

TOTAL PERFORATED AREA: 0.60 f ²	EFF : E-638		DOOR ASSY ONLY IN SERVICE PART	N.A.
	PRIOR: Y-7045			
DATE: 99-12	WITH INSULATION	X	OPTION LIST	481753
REV.: A	WITHOUT INSULATION			

PREVOST XL SERIES



EXTERIOR VIEW

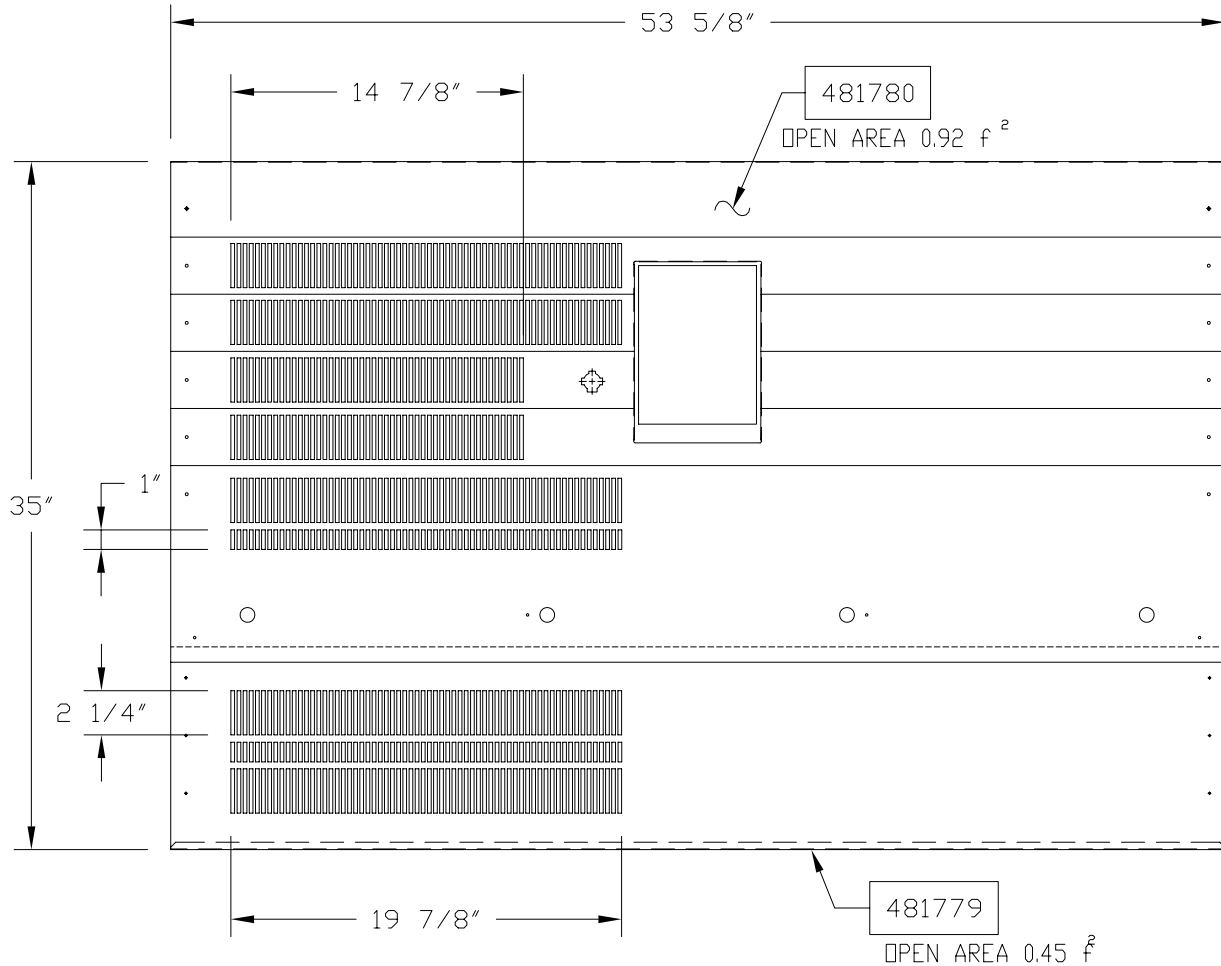
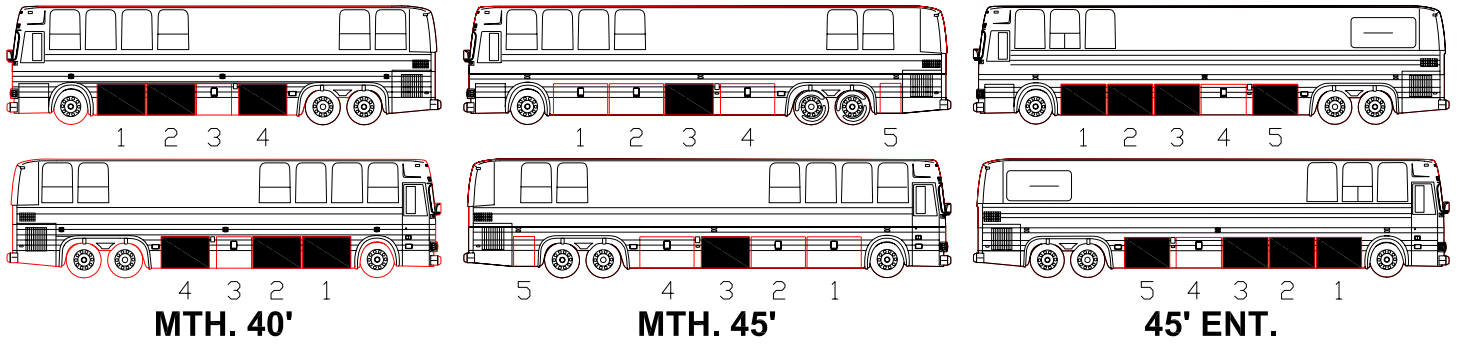
NOTE:

- LARGE LUGGAGE DOOR FOR MTH 40'
- SMALL LUGGAGE DOOR FOR MTH 45'
- LARGE LUGGAGE DOOR FOR 45' ENT.

POSITION 2 ON M.T.H. 40' AND 3 ON 45' ENT ARE NOT VALID STARTING WITH V-6258. SEE 45" DOOR OPTION LIST.

TOTAL PERFORATED AREA: 0.14 f ²	EFF : E-638		DOOR ASSY ONLY IN SERVICE PART	N.A.
	PRIOR: Y-7045			
DATE: 99-12	WITH INSULATION	X	OPTION LIST	481760
REV.: A	WITHOUT INSULATION			

PREVOST XL SERIES



EXTERIOR VIEW

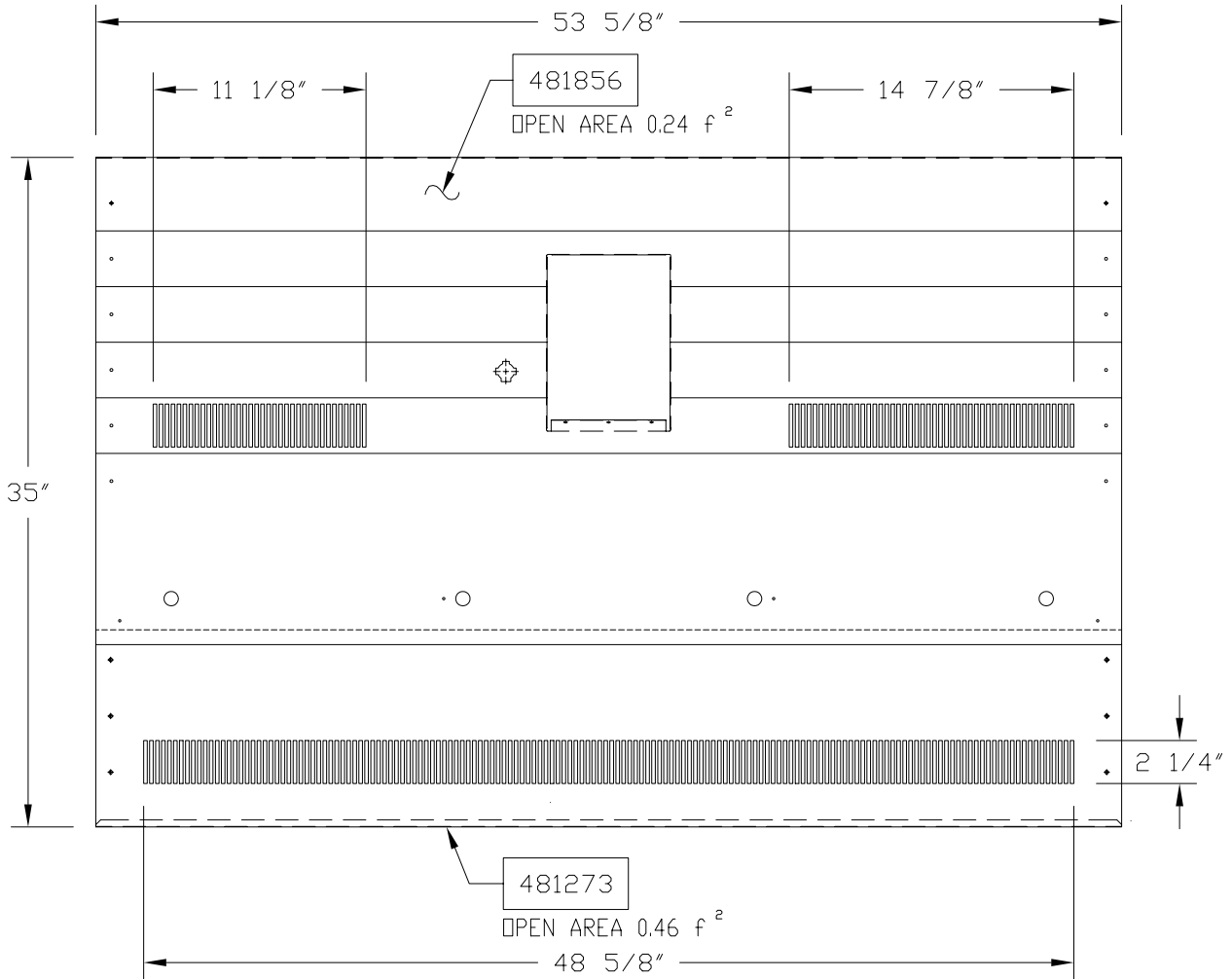
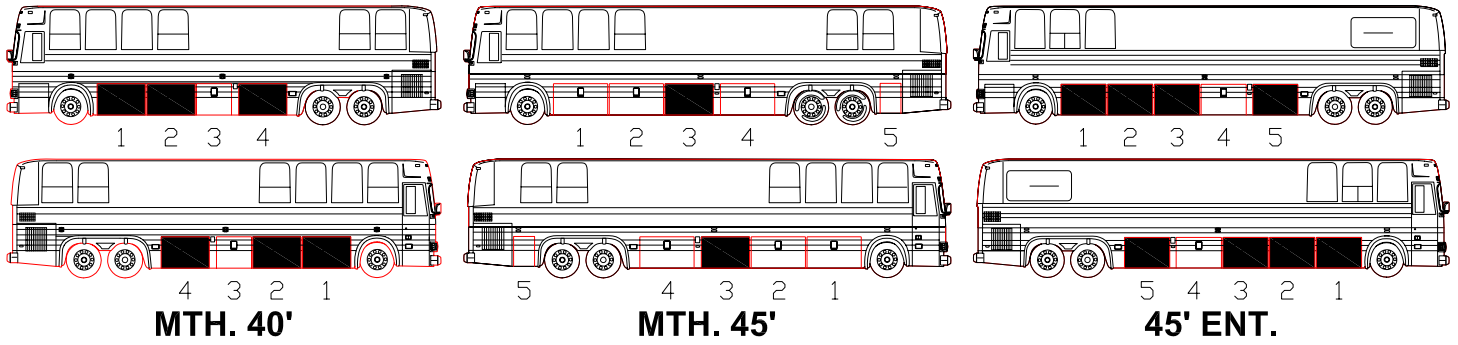
NOTE:

- LARGE LUGGAGE DOOR FOR MTH 40'
- SMALL LUGGAGE DOOR FOR MTH 45'
- LARGE LUGGAGE DOOR FOR 45' ENT.

POSITION 2 ON M.T.H. 40' AND
3 ON 45' ENT ARE NOT VALID
STARTING WITH V-6258.
SEE 45" DOOR OPTION LIST.

TOTAL PERFORATED AREA: 1.37 f ²	EFF : E-638	DOOR ASSY ONLY IN SERVICE PART	N.A.
	PRIOR: L-684		
DATE: 98-03	WITH INSULATION	OPTION LIST	481781
REV. :	WITHOUT INSULATION X		

PREVOST XL SERIES



EXTERIOR VIEW

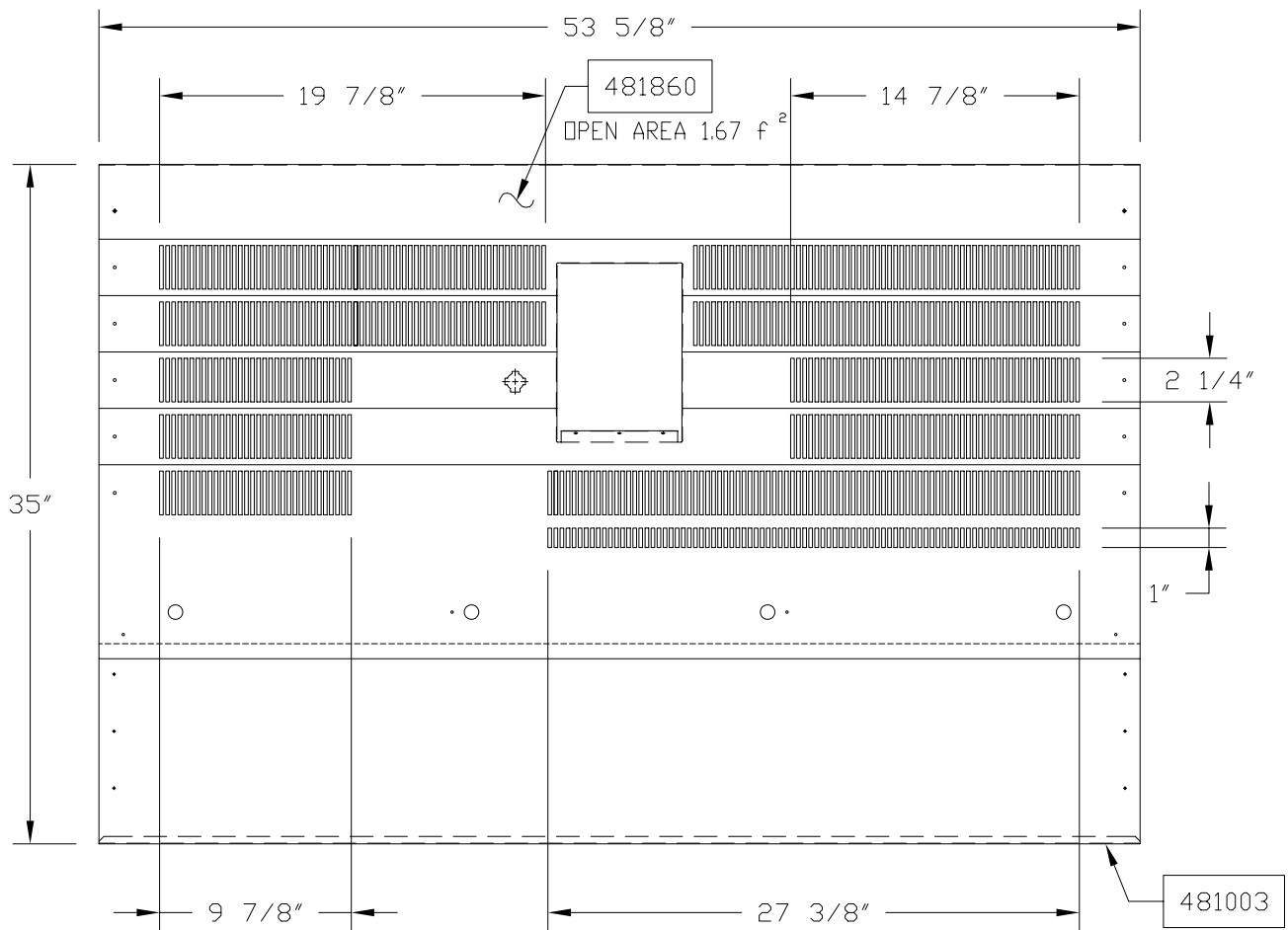
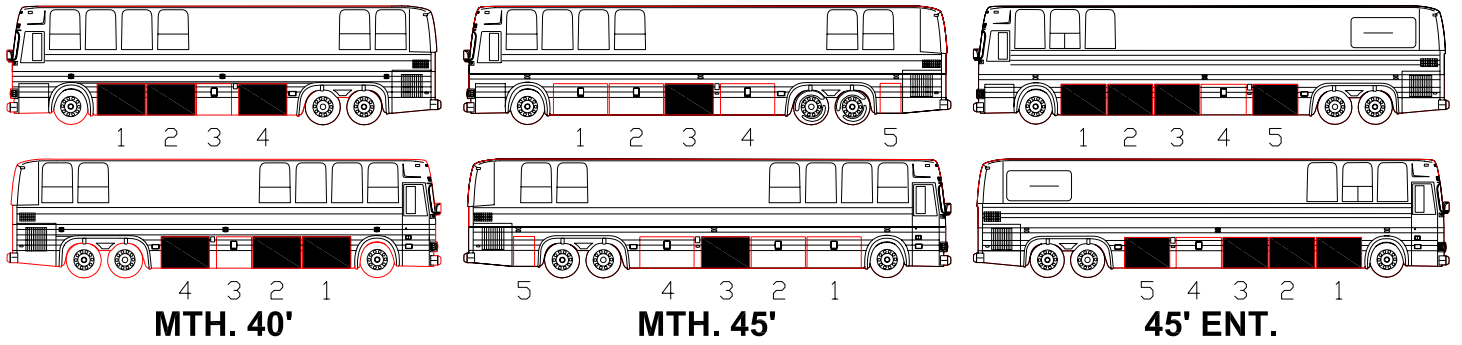
NOTE:

- LARGE LUGGAGE DOOR FOR MTH 40'
- SMALL LUGGAGE DOOR FOR MTH 45'
- LARGE LUGGAGE DOOR FOR 45' ENT.

POSITION 2 ON M.T.H. 40' AND
3 ON 45' ENT ARE NOT VALID
STARTING WITH V-6258.
SEE 45" DOOR OPTION LIST.

TOTAL PERFORATED AREA: 0.70 f ²	EFF : L-685		DOOR ASSY ONLY IN SERVICE PART	N.A.
	PRIOR: Y-7045			
DATE: 99-12	WITH INSULATION	X	OPTION LIST	481853
REV.: A	WITHOUT INSULATION			

PREVOST XL SERIES



EXTERIOR VIEW

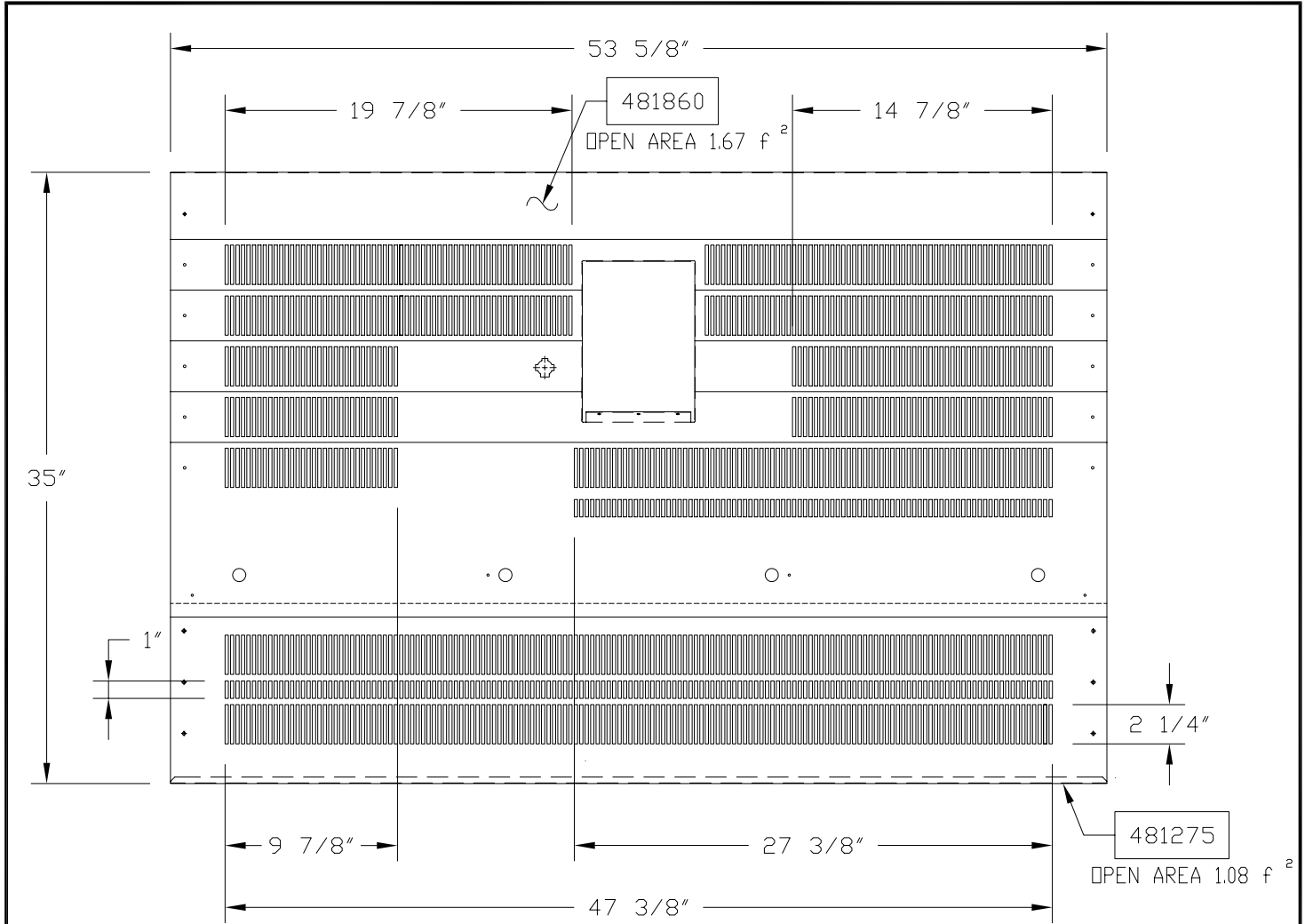
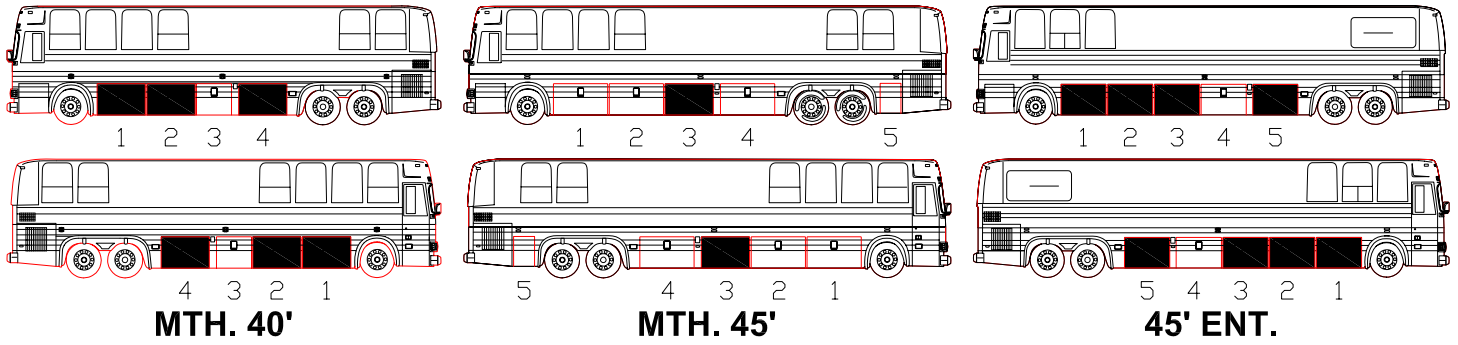
NOTE:

- LARGE LUGGAGE DOOR FOR MTH 40'
- SMALL LUGGAGE DOOR FOR MTH 45'
- LARGE LUGGAGE DOOR FOR 45' ENT.

POSITION 2 ON M.T.H. 40' AND
3 ON 45' ENT ARE NOT VALID
STARTING WITH V-6258.
SEE 45" DOOR OPTION LIST.

TOTAL PERFORATED AREA: 1.67 f ²	EFF : L-685	DOOR ASSY ONLY IN SERVICE PART	N.A.
	PRIOR: Y-7045		
DATE: 99-12	WITH INSULATION	OPTION LIST	481858
REV.: A	WITHOUT INSULATION X		

PREVOST XL SERIES



EXTERIOR VIEW

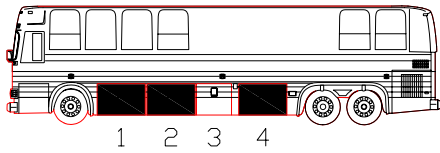
NOTE:

- LARGE LUGGAGE DOOR FOR MTH 40'
- SMALL LUGGAGE DOOR FOR MTH 45'
- LARGE LUGGAGE DOOR FOR 45' ENT.

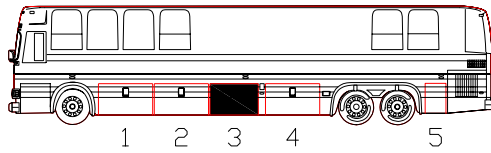
POSITION 2 ON M.T.H. 40' AND 3 ON 45' ENT ARE NOT VALID STARTING WITH V-6258. SEE 45" DOOR OPTION LIST.

TOTAL PERFORATED AREA: 2.75 f ²	EFF : L-685	DOOR ASSY ONLY IN SERVICE PART	N.A.
	PRIOR: Y-7045		
DATE: 99-12	WITH INSULATION	OPTION LIST	481859
REV.: A	WITHOUT INSULATION X		

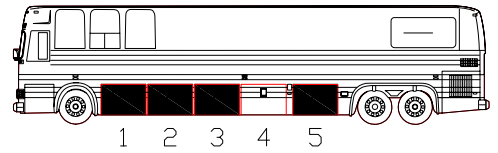
PREVOST XL SERIES



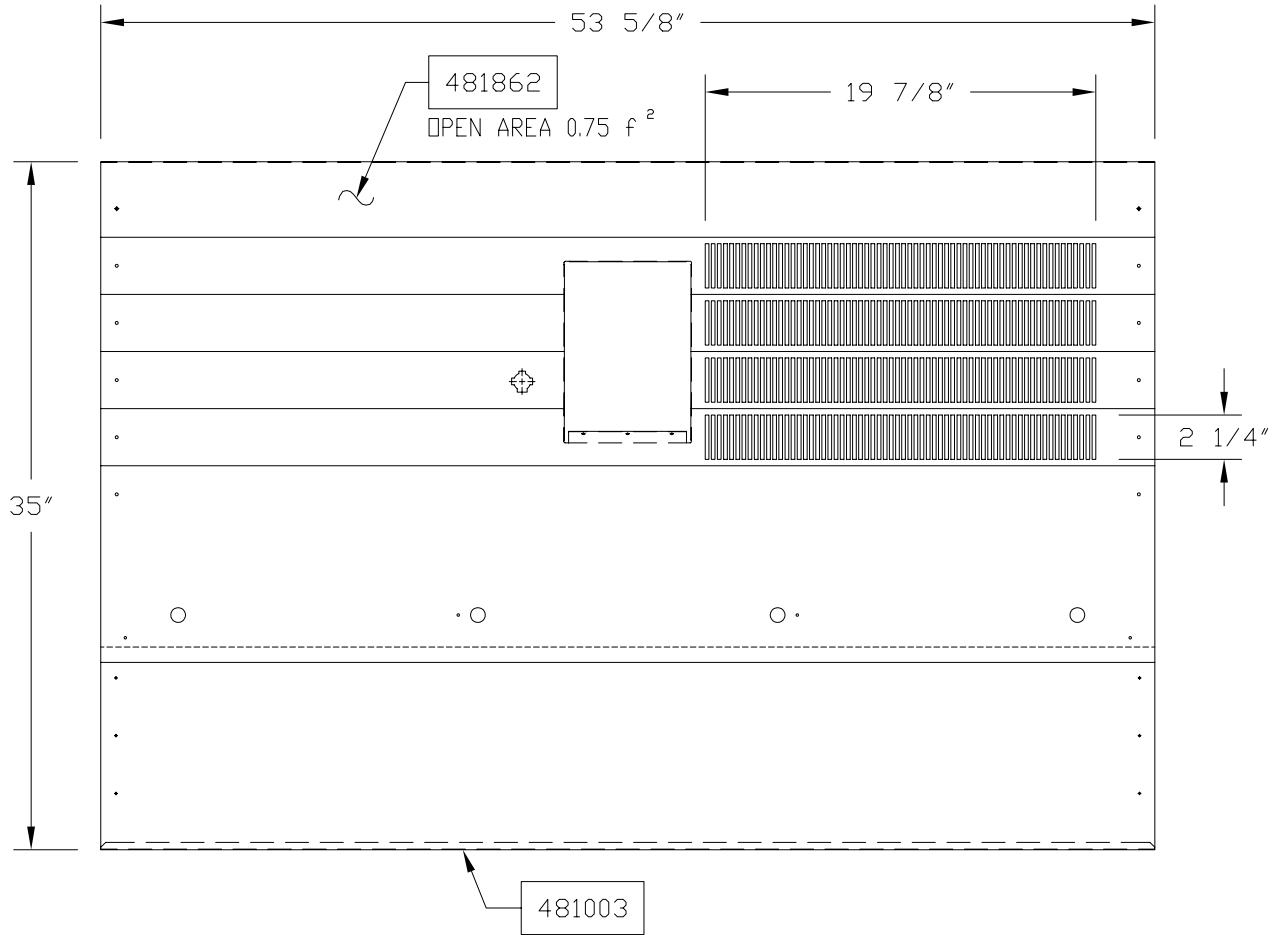
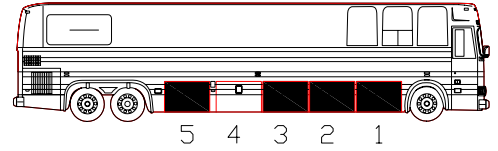
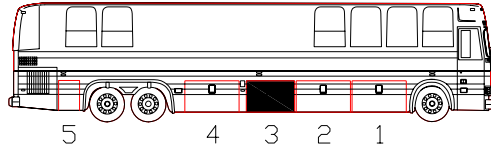
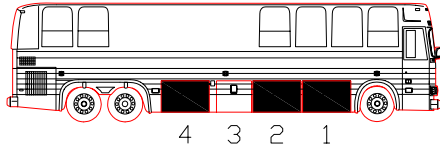
MTH. 40'



MTH. 45'



45' ENT.



EXTERIOR VIEW

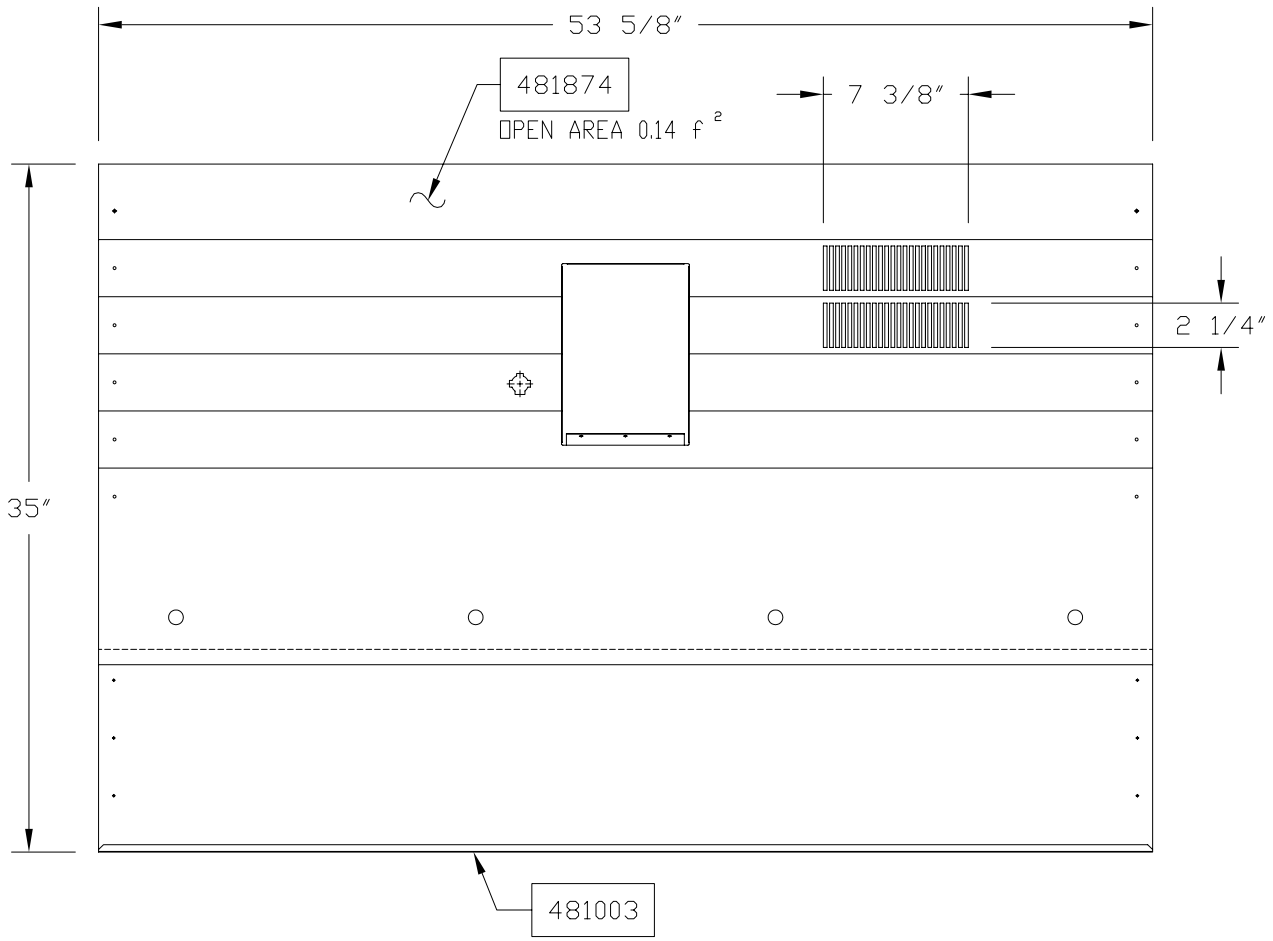
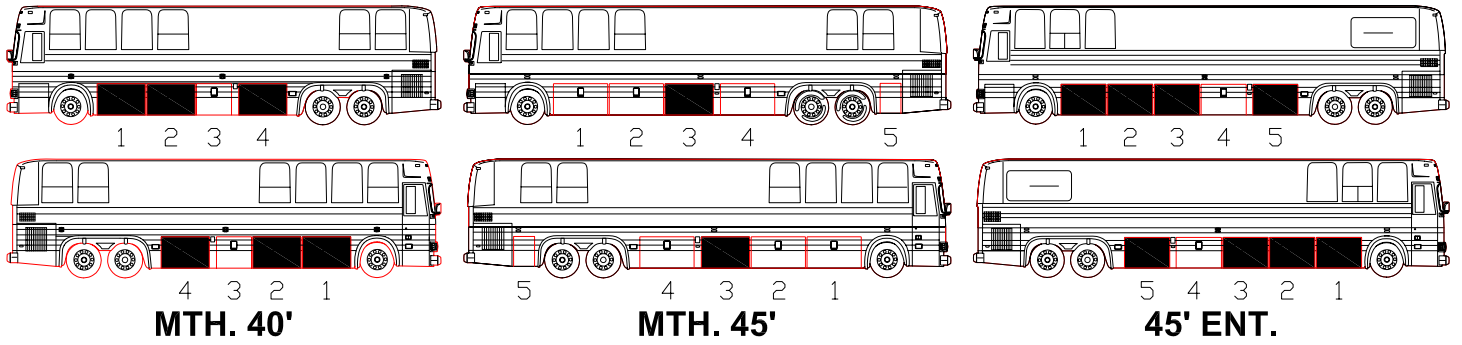
NOTE:

- LARGE LUGGAGE DOOR FOR MTH 40'
- SMALL LUGGAGE DOOR FOR MTH 45'
- LARGE LUGGAGE DOOR FOR 45' ENT.

POSITION 2 ON M.T.H. 40' AND 3 ON 45' ENT ARE NOT VALID STARTING WITH V-6258. SEE 45" DOOR OPTION LIST.

TOTAL PERFORATED AREA: 0.75 f ²	EFF : E-638	DOOR ASSY ONLY IN SERVICE PART	N.A.
	PRIOR: Y-7045		
DATE: 99-12	WITH INSULATION	OPTION LIST	481871
REV. : A	WITHOUT INSULATION		

PREVOST XL SERIES



EXTERIOR VIEW

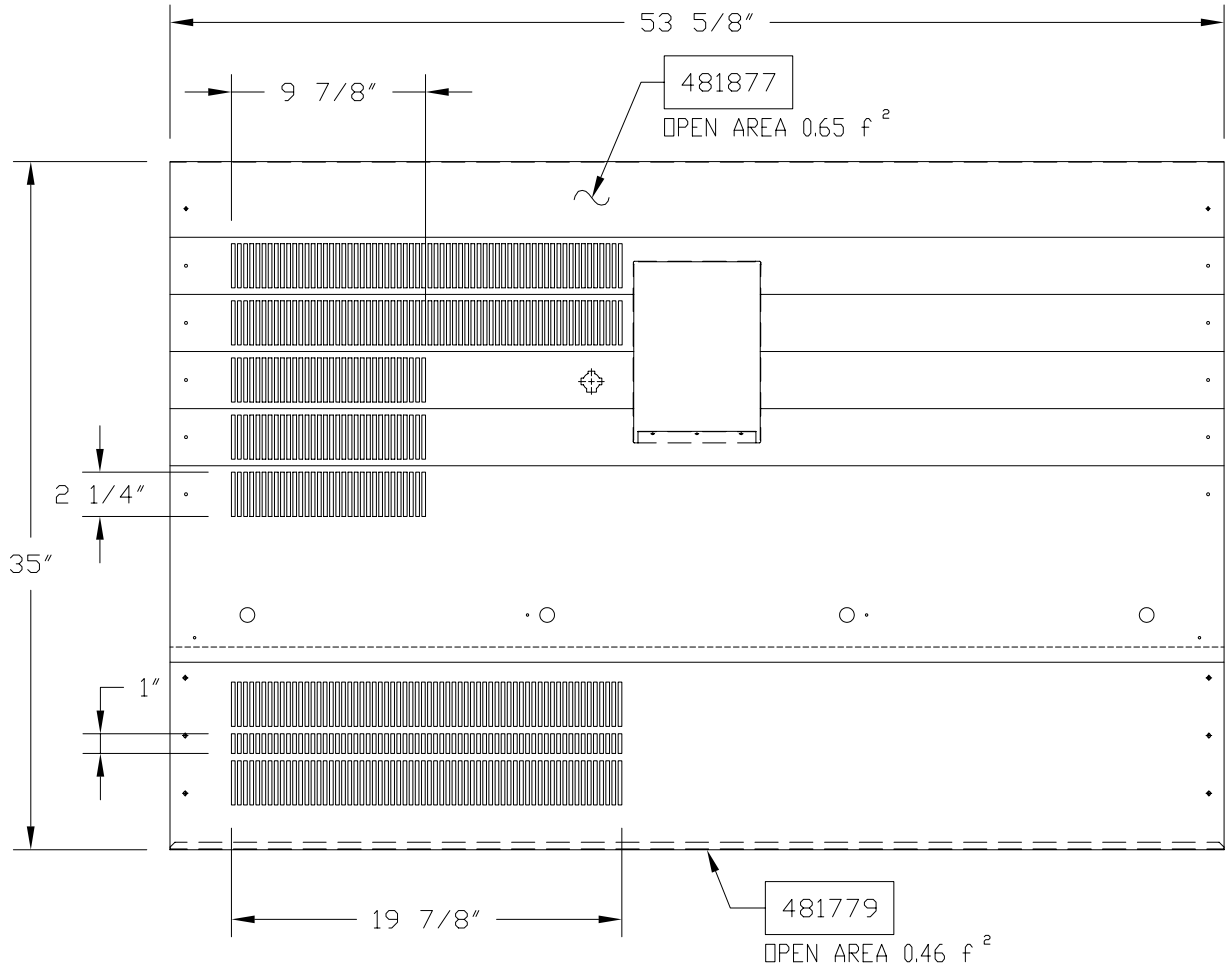
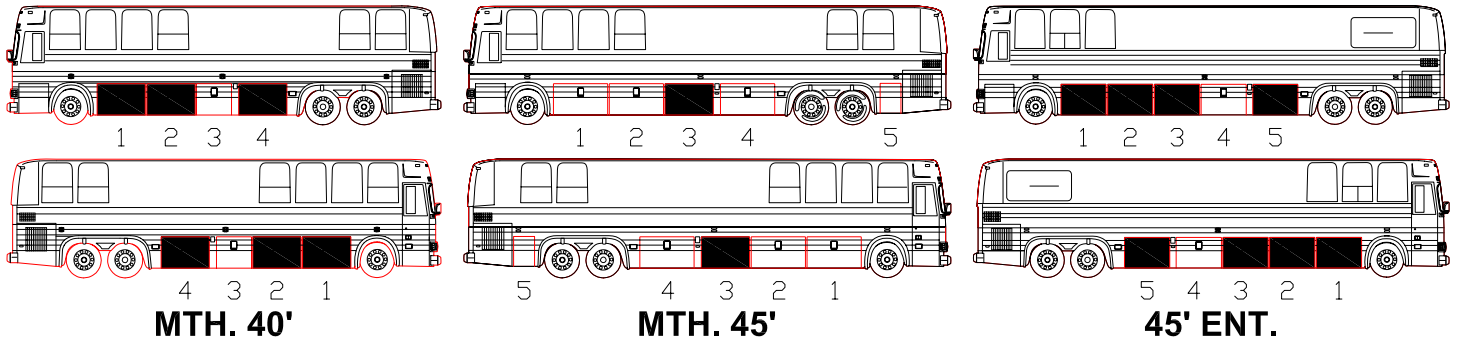
NOTE:

- LARGE LUGGAGE DOOR FOR MTH 40'
- SMALL LUGGAGE DOOR FOR MTH 45'
- LARGE LUGGAGE DOOR FOR 45' ENT.

POSITION 2 ON M.T.H. 40' AND
3 ON 45' ENT ARE NOT VALID
STARTING WITH V-6258.
SEE 45" DOOR OPTION LIST.

TOTAL PERFORATED AREA: 0.14 f ²	EFF : E-638		DOOR ASSY ONLY IN SERVICE PART	N.A.
	PRIOR: Y-7045			
DATE: 99-12	WITH INSULATION	X	OPTION LIST	481875
REV.: A	WITHOUT INSULATION			

PREVOST XL SERIES



EXTERIOR VIEW

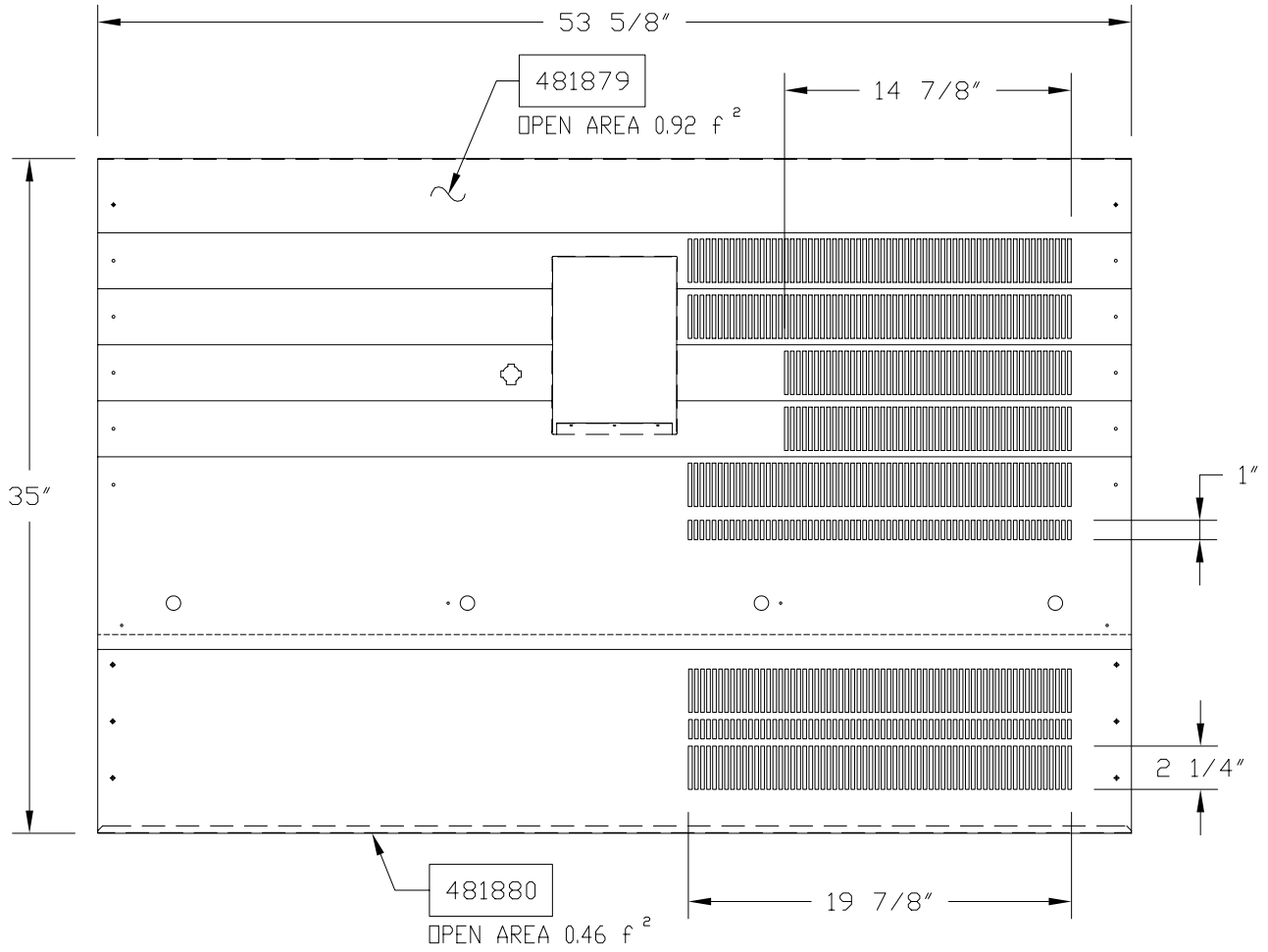
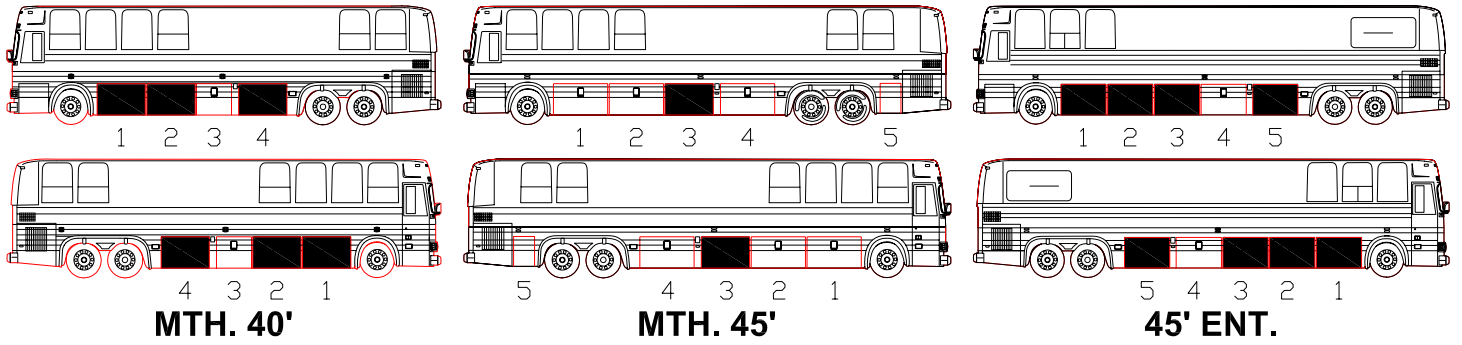
NOTE:

- LARGE LUGGAGE DOOR FOR MTH 40'
- SMALL LUGGAGE DOOR FOR MTH 45'
- LARGE LUGGAGE DOOR FOR 45' ENT.

POSITION 2 ON M.T.H. 40' AND
3 ON 45' ENT ARE NOT VALID
STARTING WITH V-6258.
SEE 45" DOOR OPTION LIST.

TOTAL PERFORATED AREA: 1.11 f ²	EFF : E-638		DOOR ASSY ONLY IN SERVICE PART	N.A.
	PRIOR: Y-7045			
DATE: 99-12	WITH INSULATION	X	OPTION LIST	481876
REV. : A	WITHOUT INSULATION			

PREVOST XL SERIES



EXTERIOR VIEW

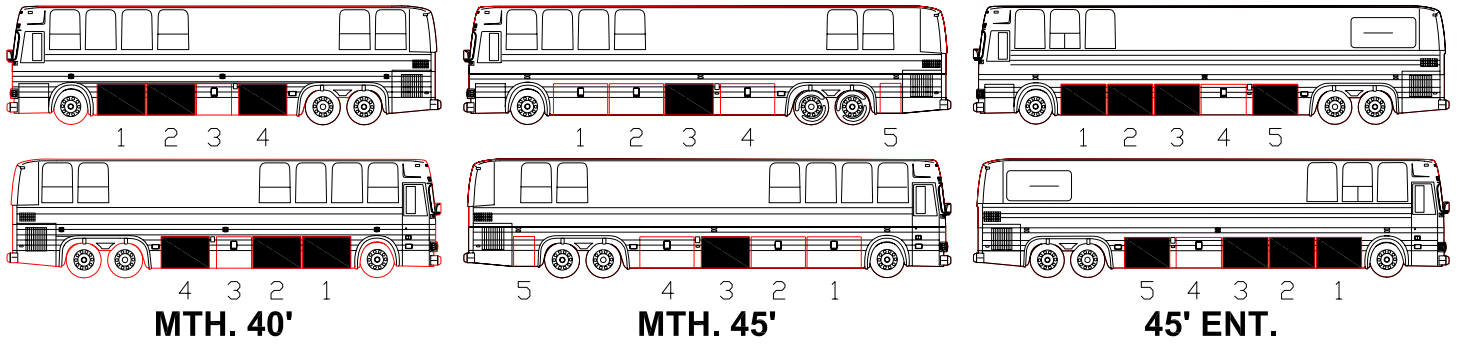
NOTE:

- LARGE LUGGAGE DOOR FOR MTH 40'
- SMALL LUGGAGE DOOR FOR MTH 45'
- LARGE LUGGAGE DOOR FOR 45' ENT.

POSITION 2 ON M.T.H. 40' AND
3 ON 45' ENT ARE NOT VALID
STARTING WITH V-6258.
SEE 45" DOOR OPTION LIST.

TOTAL PERFORATED AREA: 1.38 f ²	EFF : E-638		DOOR ASSY ONLY IN SERVICE PART	N.A.
	PRIOR: Y-7045			
DATE: 99-12	WITH INSULATION	X	OPTION LIST	481878
REV. : A	WITHOUT INSULATION			

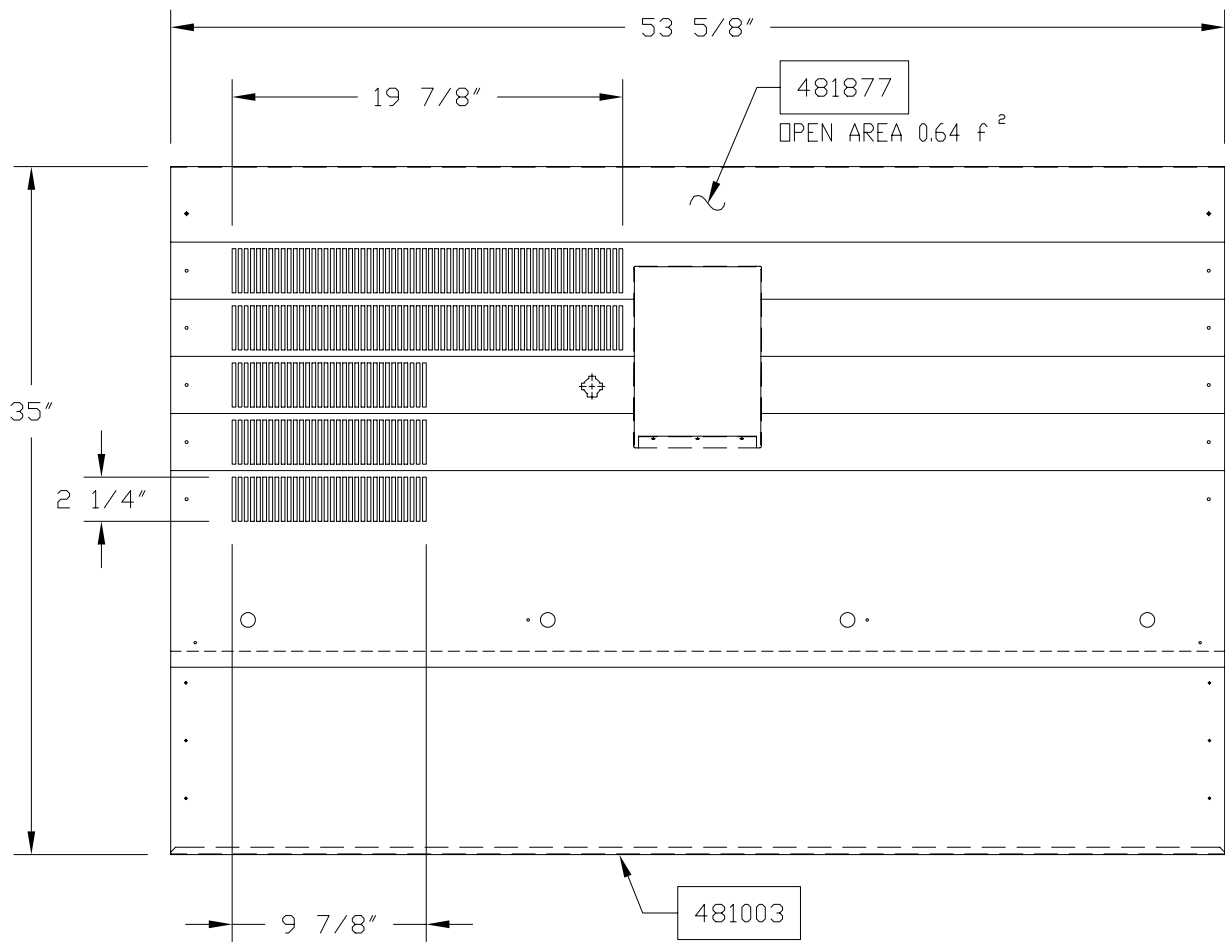
PREVOST XL SERIES



MTH. 40'

MTH. 45'

45' ENT.



EXTERIOR VIEW

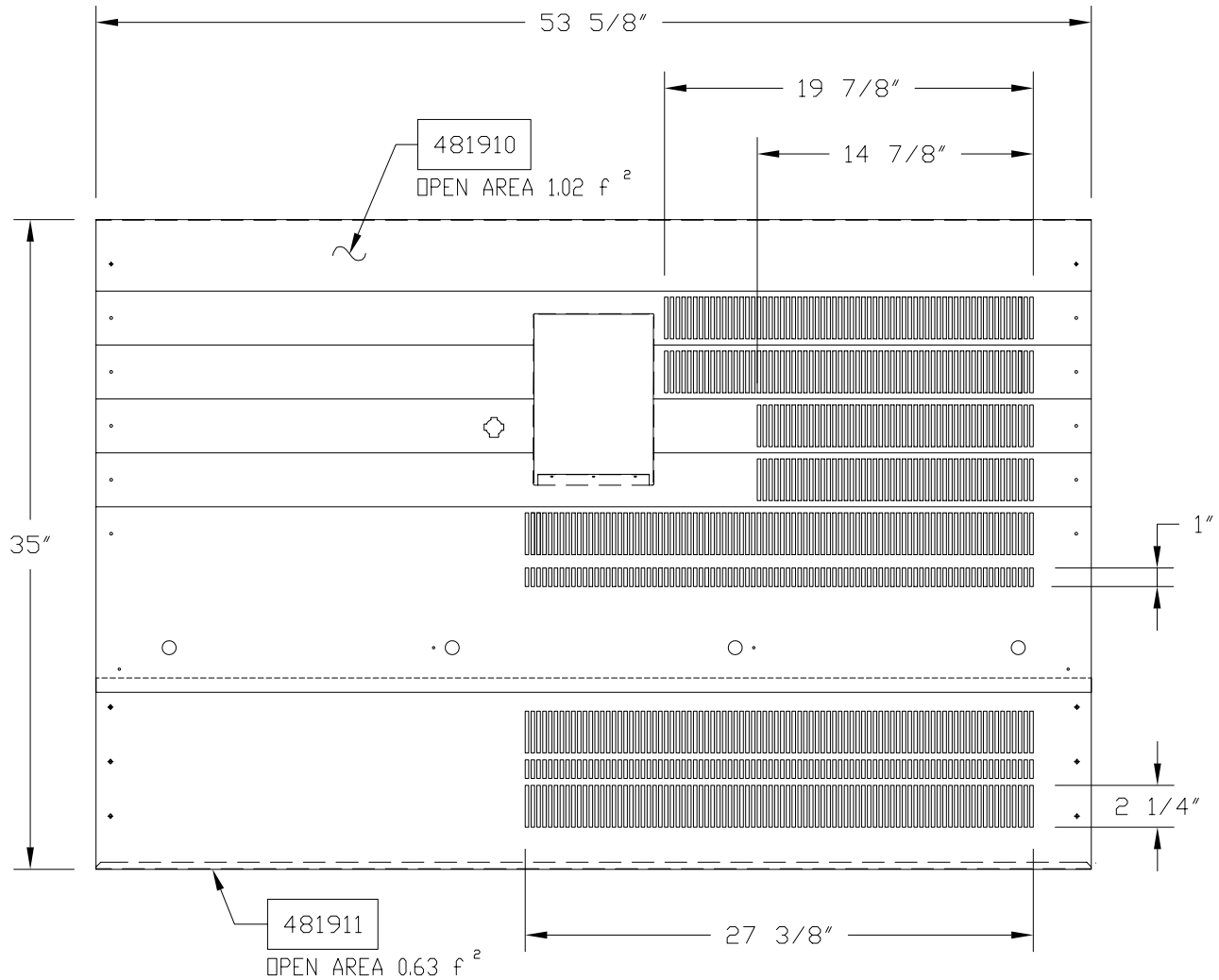
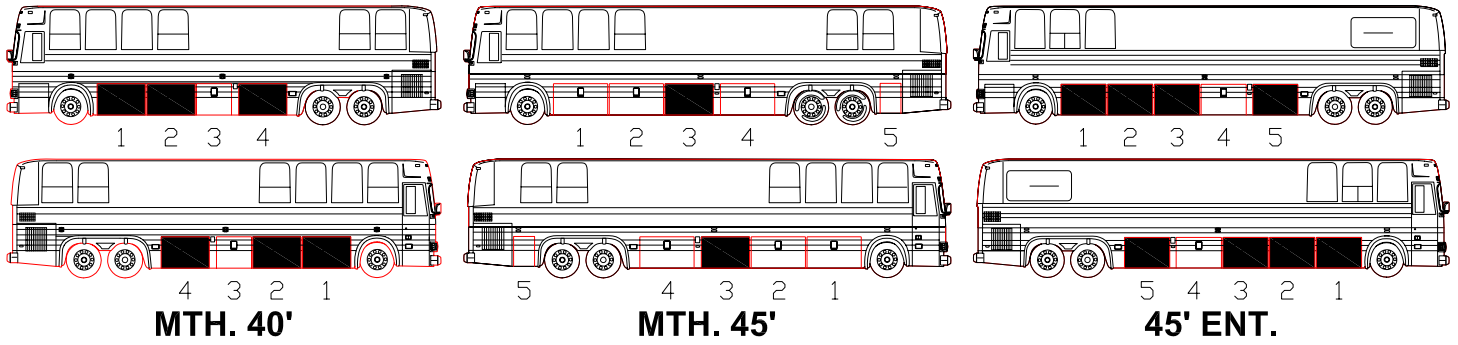
NOTE:

- LARGE LUGGAGE DOOR FOR MTH 40'
- SMALL LUGGAGE DOOR FOR MTH 45'
- LARGE LUGGAGE DOOR FOR 45' ENT.

POSITION 2 ON M.T.H. 40' AND
3 ON 45' ENT ARE NOT VALID
STARTING WITH V-6258.
SEE 45" DOOR OPTION LIST.

TOTAL PERFORATED AREA: 0.64 f ²	EFF : E-638		DOOR ASSY ONLY IN SERVICE PART	N.A.
	PRIOR: Y-7045			
DATE: 99-12	WITH INSULATION	X	OPTION LIST	481908
REV. : A	WITHOUT INSULATION			

PREVOST XL SERIES



EXTERIOR VIEW

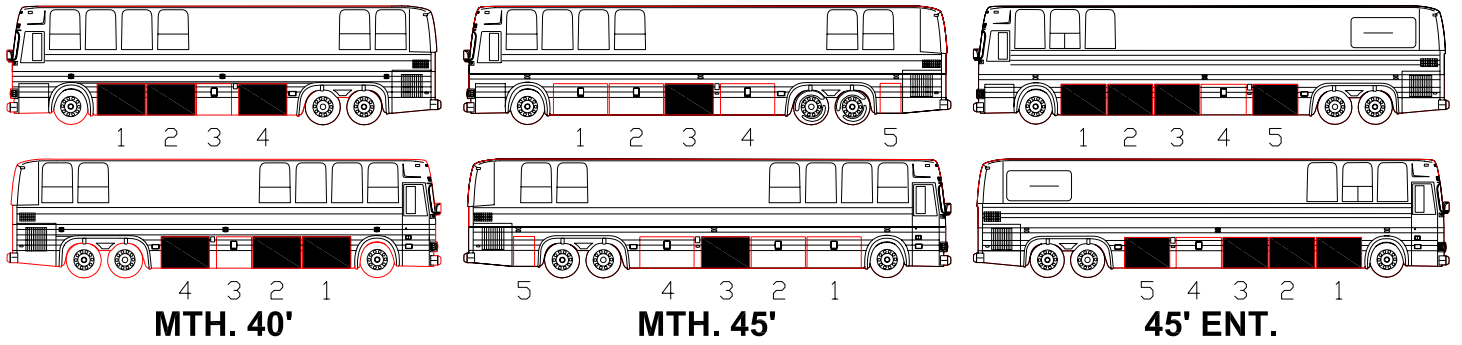
NOTE:

- LARGE LUGGAGE DOOR FOR MTH 40'
- SMALL LUGGAGE DOOR FOR MTH 45'
- LARGE LUGGAGE DOOR FOR 45' ENT.

POSITION 2 ON M.T.H. 40' AND 3 ON 45' ENT ARE NOT VALID STARTING WITH V-6258. SEE 45" DOOR OPTION LIST.

TOTAL PERFORATED AREA: 1.65 f ²	EFF : E-638		DOOR ASSY ONLY IN SERVICE PART	N.A.
	PRIOR: Y-7045			
DATE: 99-12	WITH INSULATION	X	OPTION LIST	481909
REV. : A	WITHOUT INSULATION			

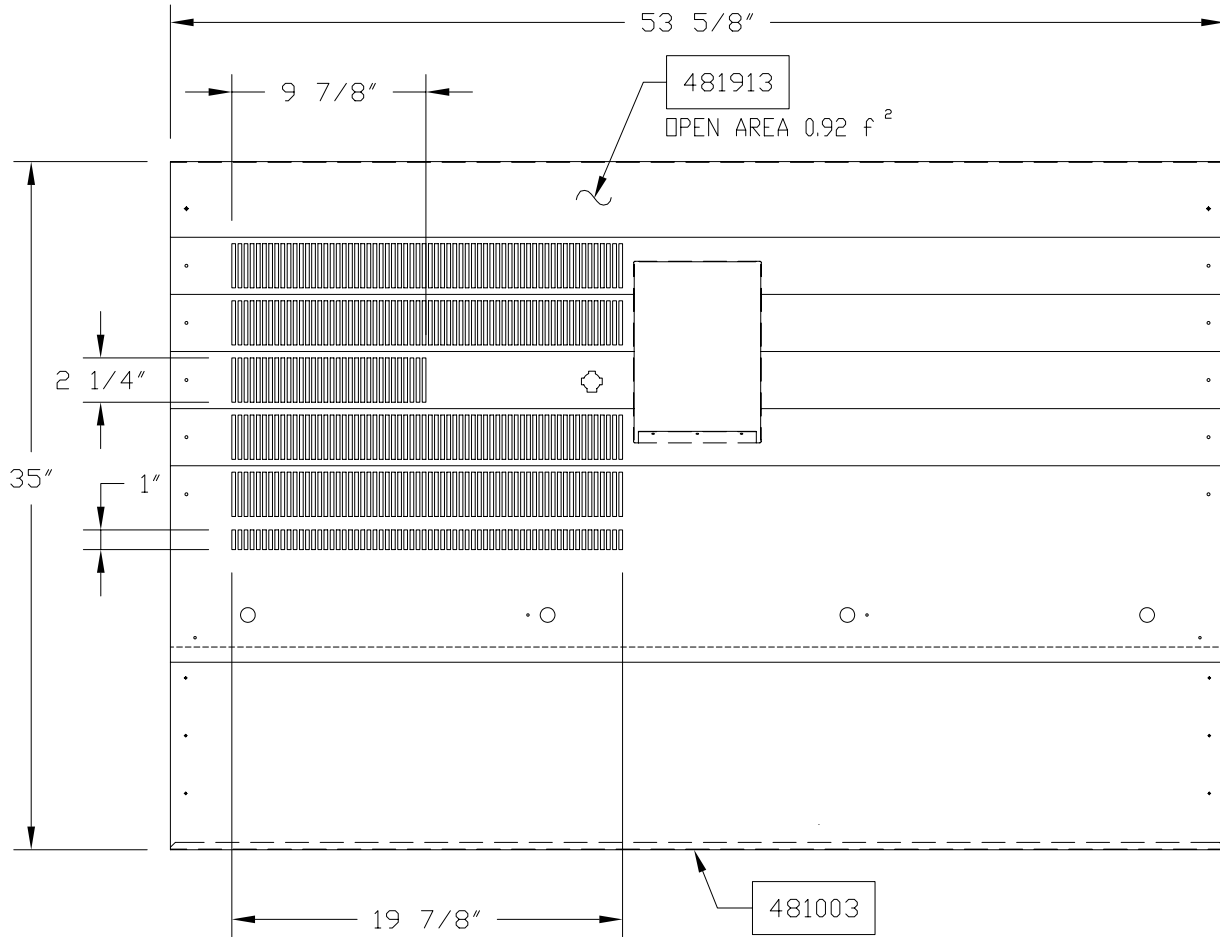
PREVOST XL SERIES



MTH. 40'

MTH. 45'

45' ENT.



EXTERIOR VIEW

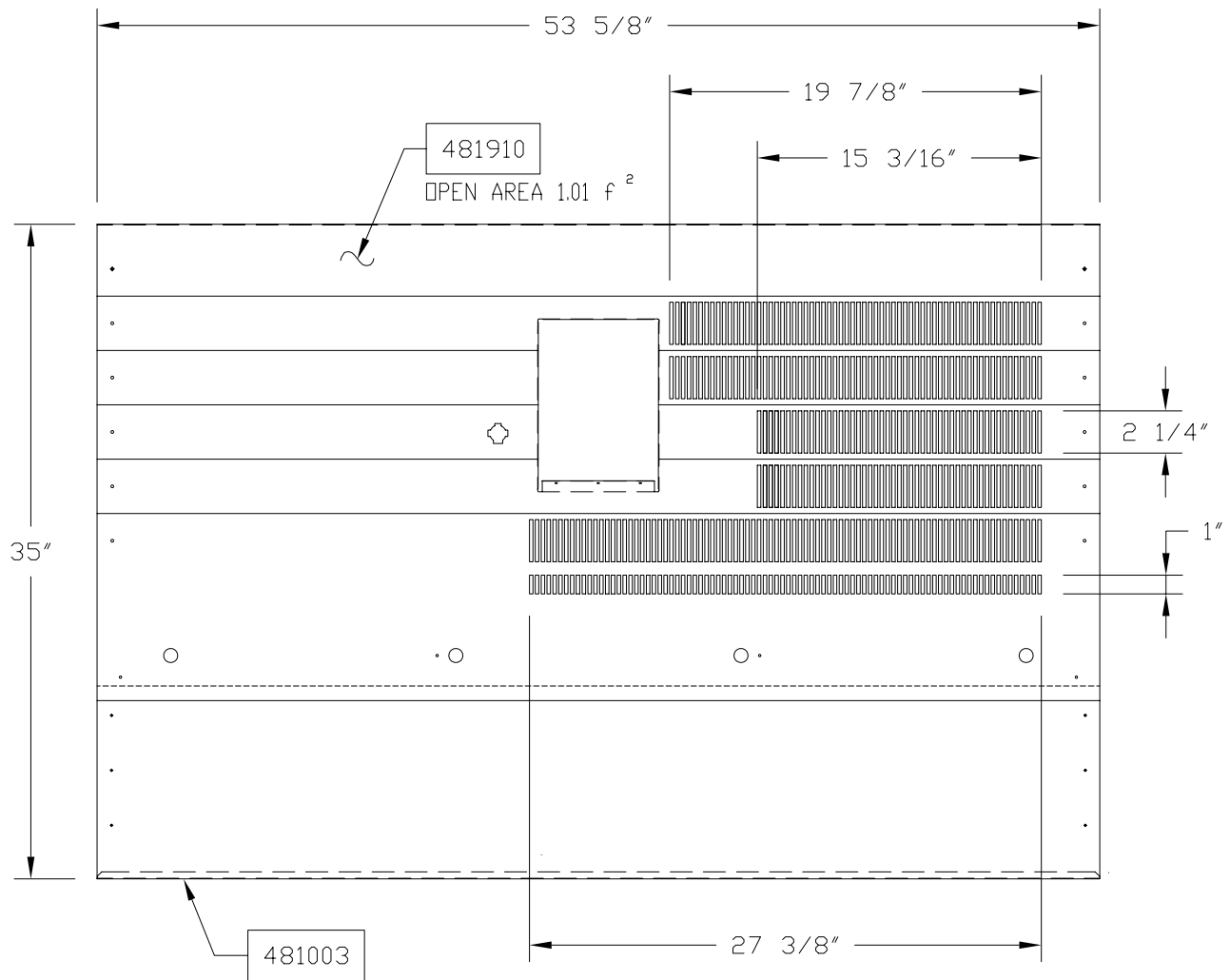
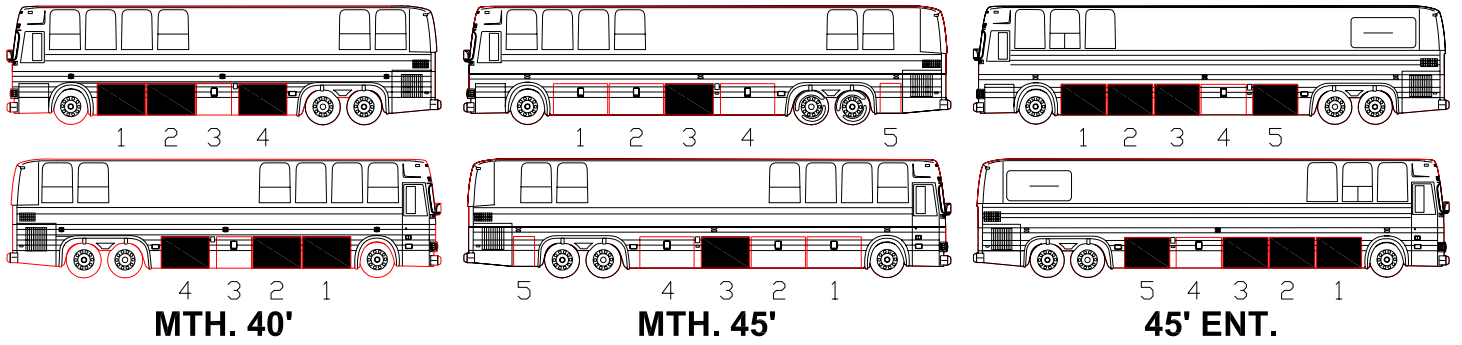
NOTE:

- LARGE LUGGAGE DOOR FOR MTH 40'
- SMALL LUGGAGE DOOR FOR MTH 45'
- LARGE LUGGAGE DOOR FOR 45' ENT.

POSITION 2 ON M.T.H. 40' AND
3 ON 45' ENT ARE NOT VALID
STARTING WITH V-6258.
SEE 45" DOOR OPTION LIST.

TOTAL PERFORATED AREA: 0.92 f ²	EFF : E-638		DOOR ASSY ONLY IN SERVICE PART	N.A.
	PRIOR: Y-7045			
DATE: 99-12	WITH INSULATION	X	OPTION LIST	481912
REV.: A	WITHOUT INSULATION			

PREVOST XL SERIES



EXTERIOR VIEW

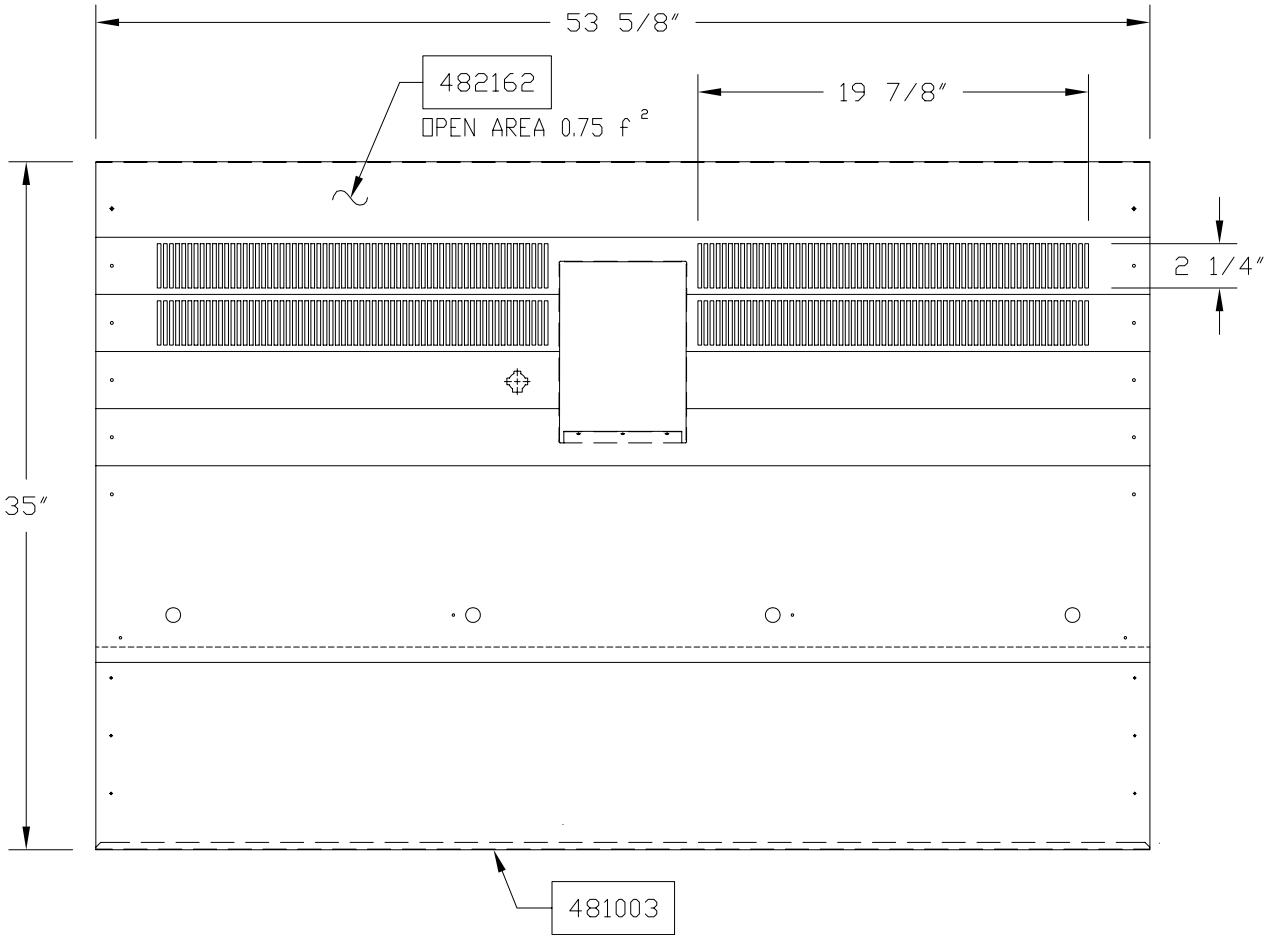
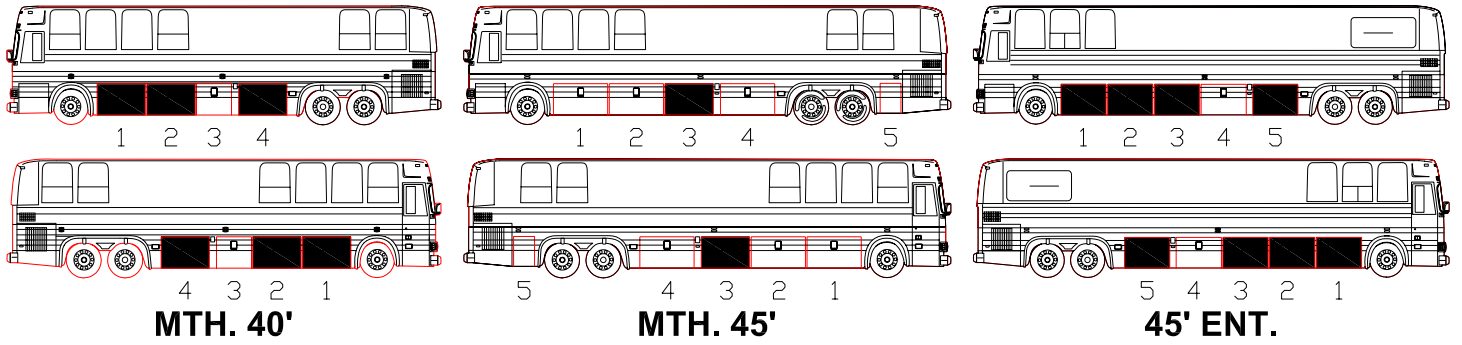
NOTE:

- LARGE LUGGAGE DOOR FOR MTH 40'
- SMALL LUGGAGE DOOR FOR MTH 45'
- LARGE LUGGAGE DOOR FOR 45' ENT.

POSITION 2 ON M.T.H. 40' AND 3 ON 45' ENT ARE NOT VALID STARTING WITH V-6258. SEE 45" DOOR OPTION LIST.

TOTAL PERFORATED AREA: 1.01 f ²	EFF : E-638		DOOR ASSY ONLY IN SERVICE PART	N.A.
	PRIOR: Y-7045			
DATE: 99-12	WITH INSULATION	X	OPTION LIST	482160
REV. : A	WITHOUT INSULATION			

PREVOST XL SERIES



EXTERIOR VIEW

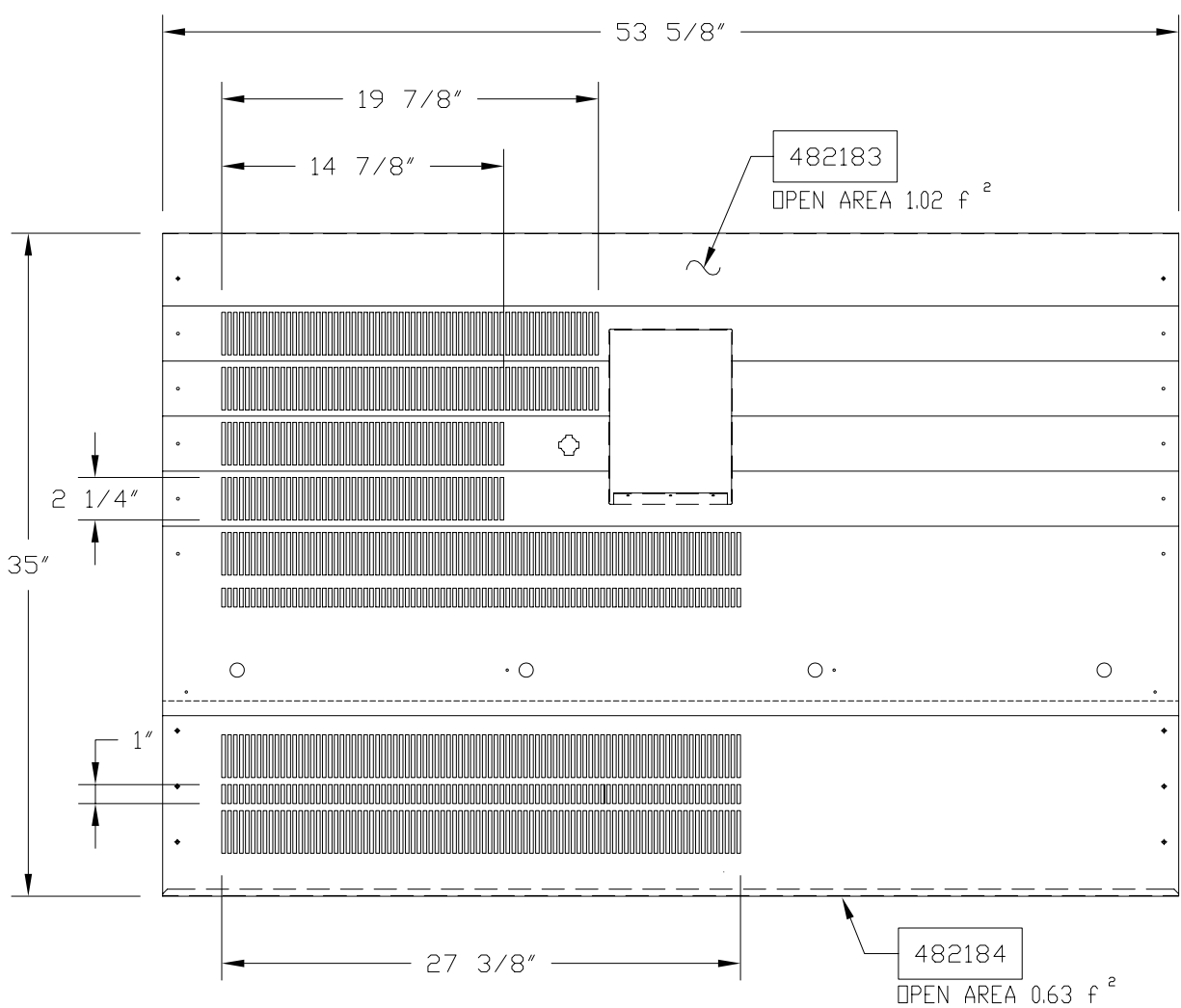
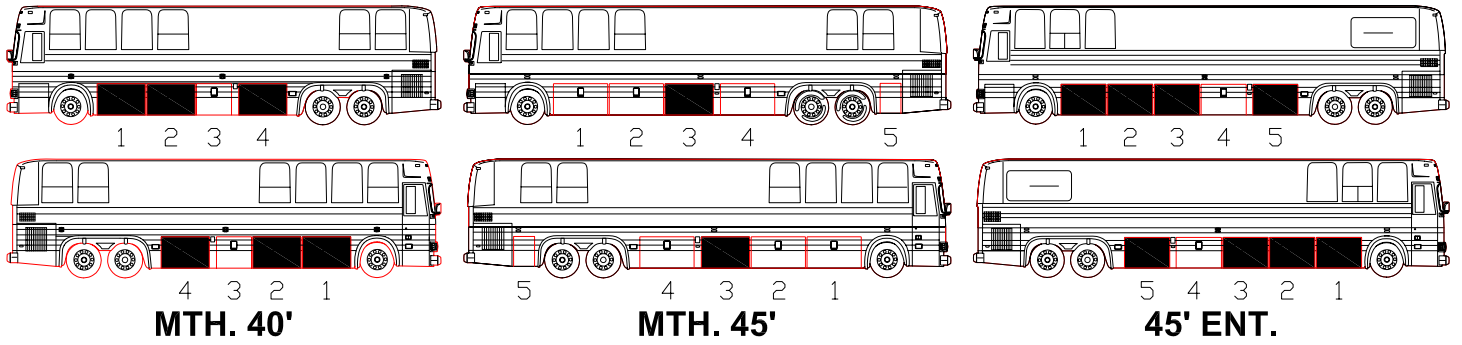
NOTE:

- LARGE LUGGAGE DOOR FOR MTH 40'
- SMALL LUGGAGE DOOR FOR MTH 45'
- LARGE LUGGAGE DOOR FOR 45' ENT.

POSITION 2 ON M.T.H. 40' AND
3 ON 45' ENT ARE NOT VALID
STARTING WITH V-6258.
SEE 45" DOOR OPTION LIST.

TOTAL PERFORATED AREA: 0.75 f ²	EFF : E-638		DOOR ASSY ONLY IN SERVICE PART	N.A.
	PRIOR: Y-7045			
DATE: 99-12	WITH INSULATION	X	OPTION LIST	482163
REV.: A	WITHOUT INSULATION			

PREVOST XL SERIES



EXTERIOR VIEW

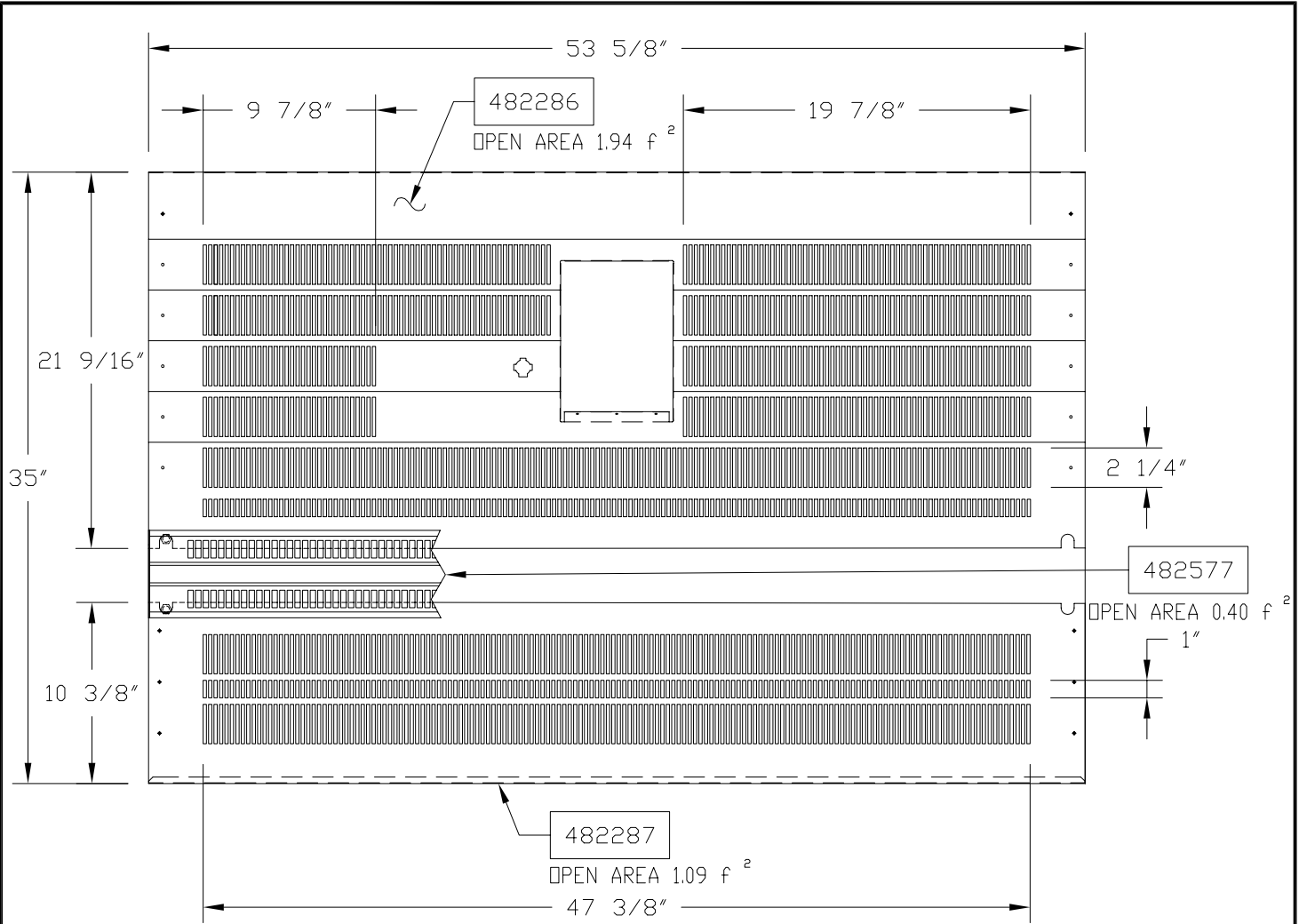
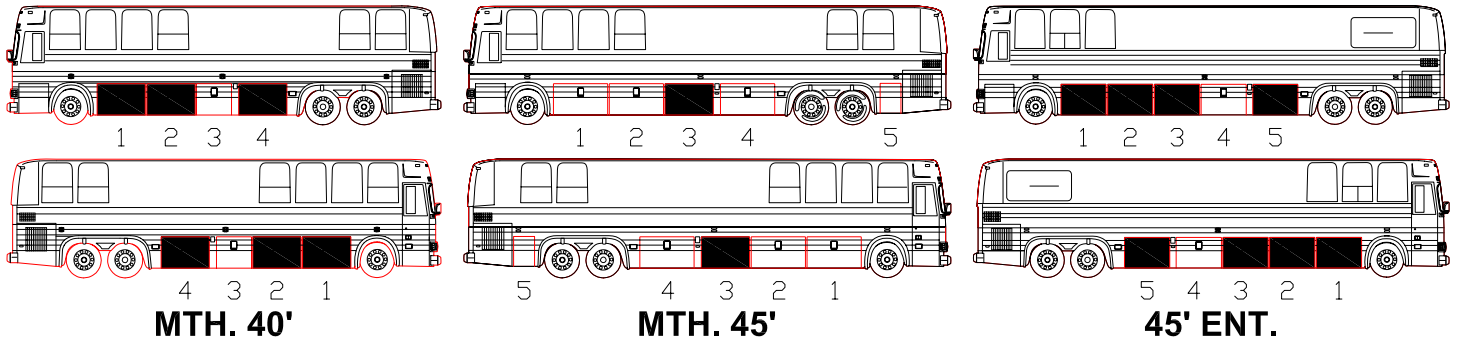
NOTE:

- LARGE LUGGAGE DOOR FOR MTH 40'
- SMALL LUGGAGE DOOR FOR MTH 45'
- LARGE LUGGAGE DOOR FOR 45' ENT.

POSITION 2 ON M.T.H. 40' AND 3 ON 45' ENT ARE NOT VALID STARTING WITH V-6258. SEE 45" DOOR OPTION LIST.

TOTAL PERFORATED AREA: 1.65 f ²	EFF : E-638	DOOR ASSY ONLY IN SERVICE PART	N.A.
	PRIOR: Y-7045		
DATE: 99-12	WITH INSULATION	OPTION LIST	482182
REV. : A	WITHOUT INSULATION X		

PREVOST XL SERIES



**SPECIAL REINFORCEMENT DOOR
WITH METAL RUBBER RAIL
PROTECTOR NOT INCLUDED**

NOTE:

- LARGE LUGGAGE DOOR FOR MTH 40'
- SMALL LUGGAGE DOOR FOR MTH 45'
- LARGE LUGGAGE DOOR FOR 45' ENT.

EXTERIOR VIEW

POSITION 2 ON M.T.H. 40' AND
3 ON 45' ENT ARE NOT VALID
STARTING WITH V-6258.
SEE 45" DOOR OPTION LIST.

TOTAL PERFORATED

AREA:

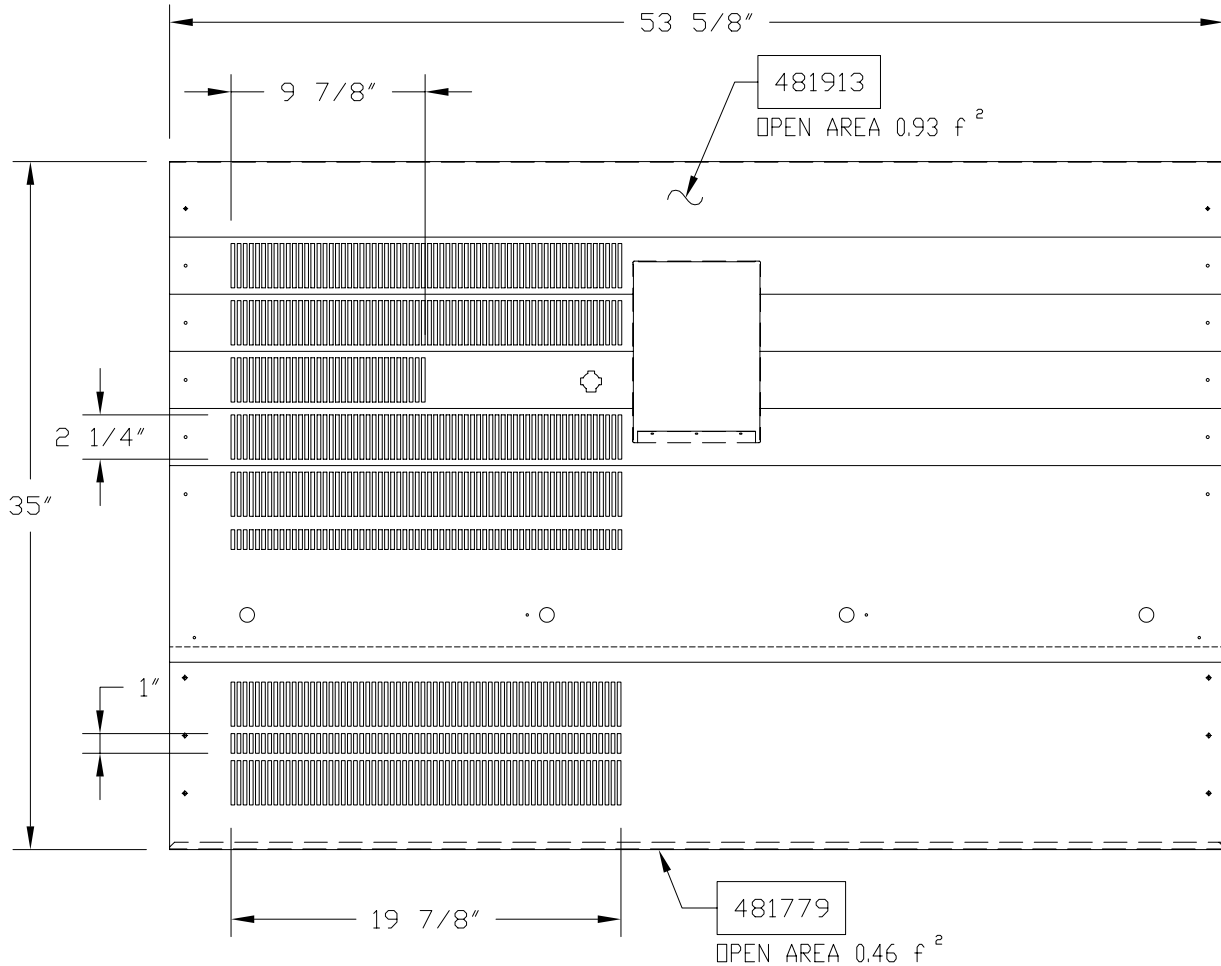
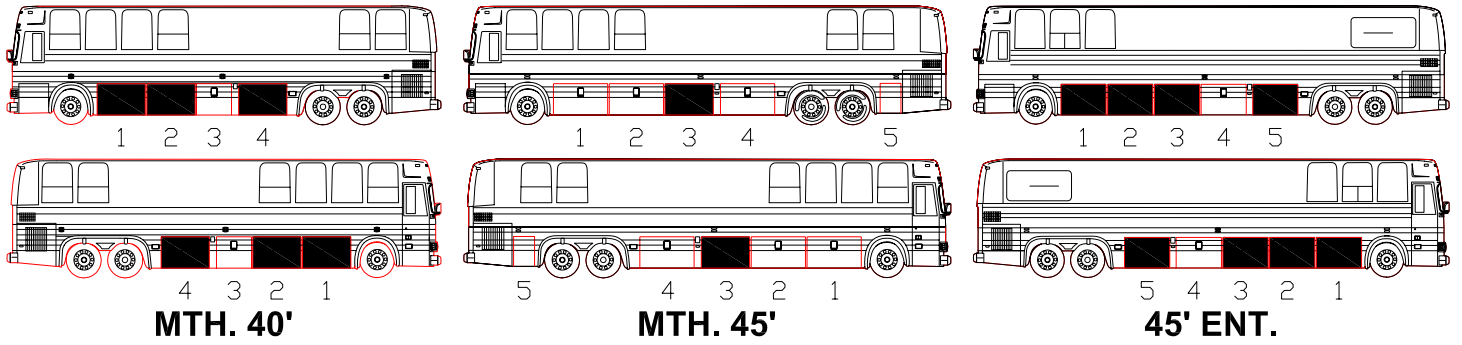
W/O PROTECTOR: 3.03 f²
W/ PROTECTOR: 3.43 f²

EFF :	E-638
PRIOR:	Y-7045
WITH INSULATION	
WITHOUT INSULATION	X

DOOR ASSY ONLY IN SERVICE PART	N.A.
---	------

DATE: 99-12	OPTION LIST	482294
REV. : A		

PREVOST XL SERIES



EXTERIOR VIEW

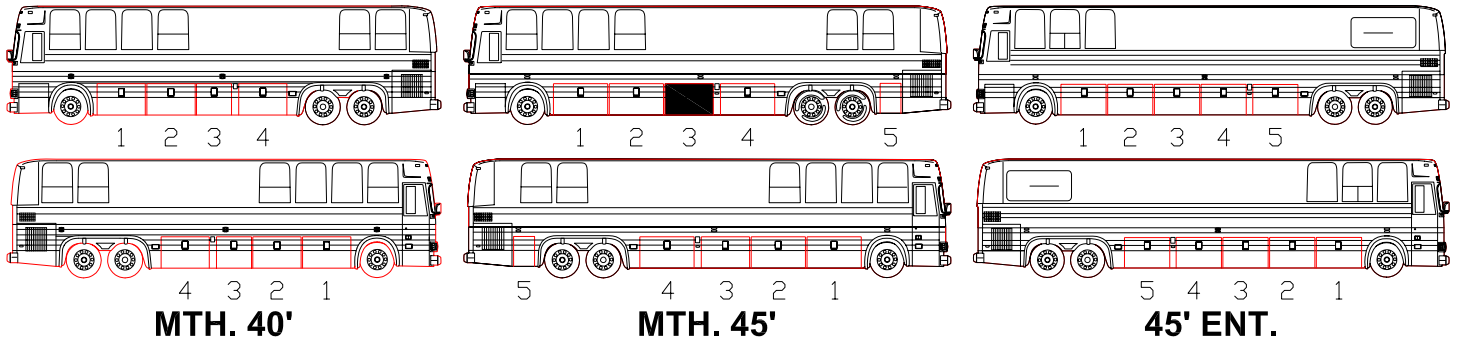
NOTE:

- LARGE LUGGAGE DOOR FOR MTH 40'
- SMALL LUGGAGE DOOR FOR MTH 45'
- LARGE LUGGAGE DOOR FOR 45' ENT.

POSITION 2 ON M.T.H. 40' AND
3 ON 45' ENT ARE NOT VALID
STARTING WITH V-6258.
SEE 45" DOOR OPTION LIST.

TOTAL PERFORATED AREA: 1.39 f ²	EFF : E-638		DOOR ASSY ONLY IN SERVICE PART	N.A.
	PRIOR: Y-7045			
DATE: 99-12	WITH INSULATION	X	OPTION LIST	482353
REV. : A	WITHOUT INSULATION			

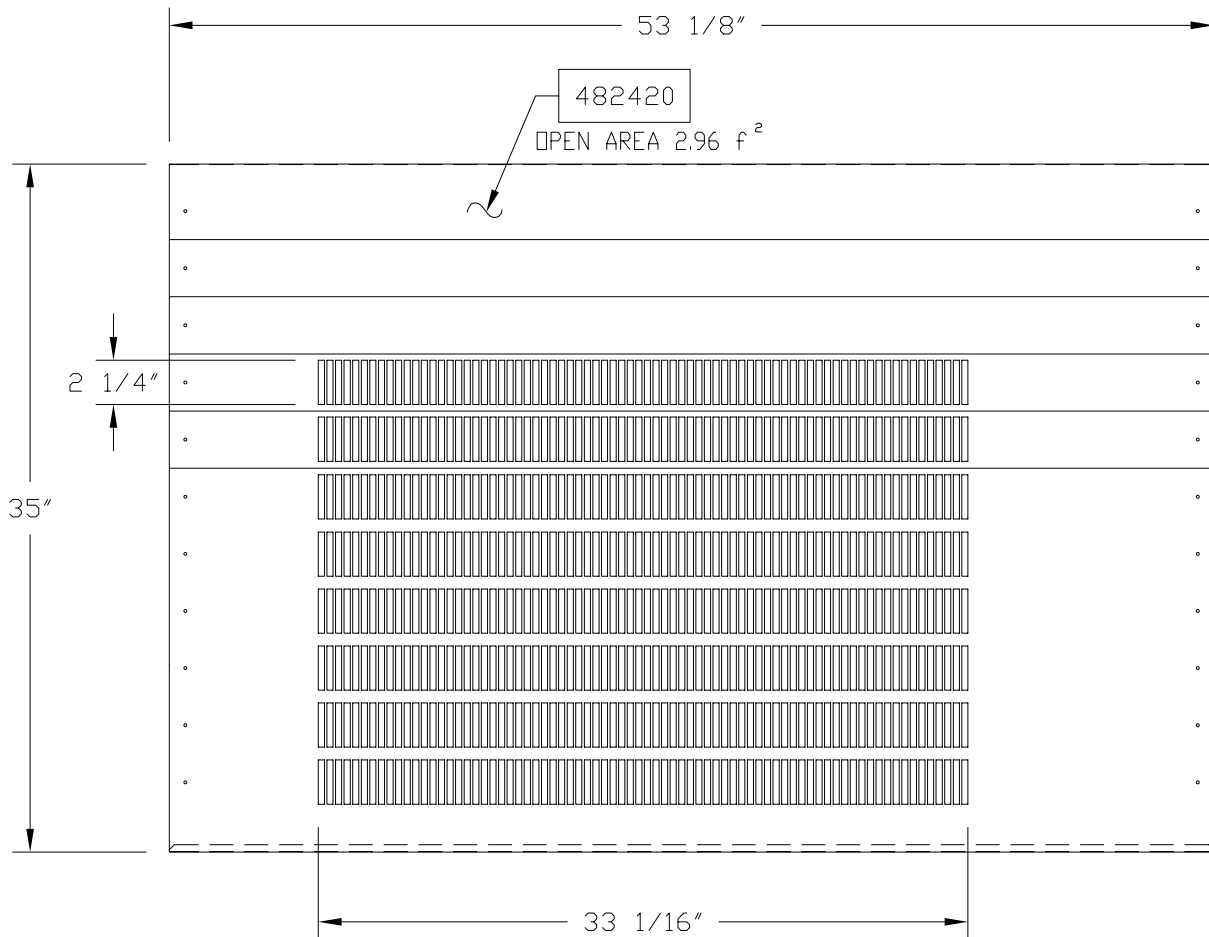
PREVOST XL SERIES



MTH. 40'

MTH. 45'

45' ENT.

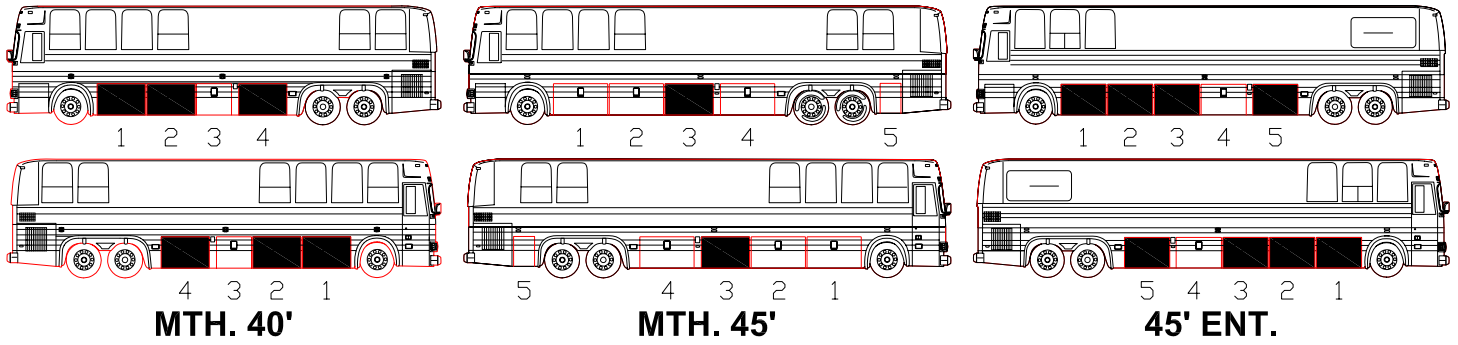


EXTERIOR VIEW

NOTE:
-DOOR WITH HINGE ON
R.H. SIDE OF FRAME
TO USE WITH SLIDE OUT

TOTAL PERFORATED AREA: 2.96 f ²	EFF : E-638	DOOR ASSY ONLY IN SERVICE PART	482447P
	PRIOR: Y-7045		
DATE: 03-01	WITH INSULATION	OPTION LIST	482447
REV. : B	WITHOUT INSULATION X		

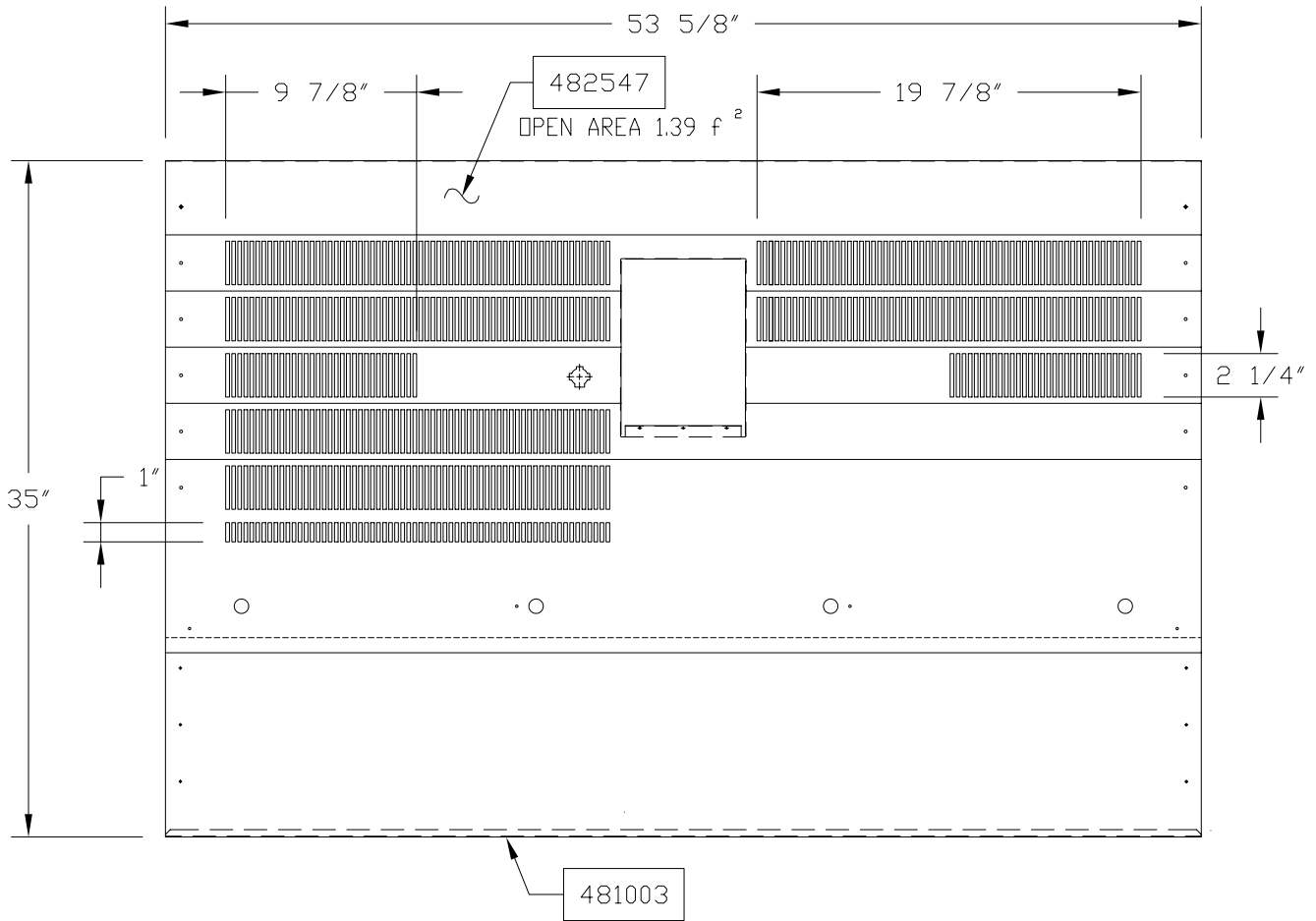
PREVOST XL SERIES



MTH. 40'

MTH. 45'

45' ENT.



EXTERIOR VIEW

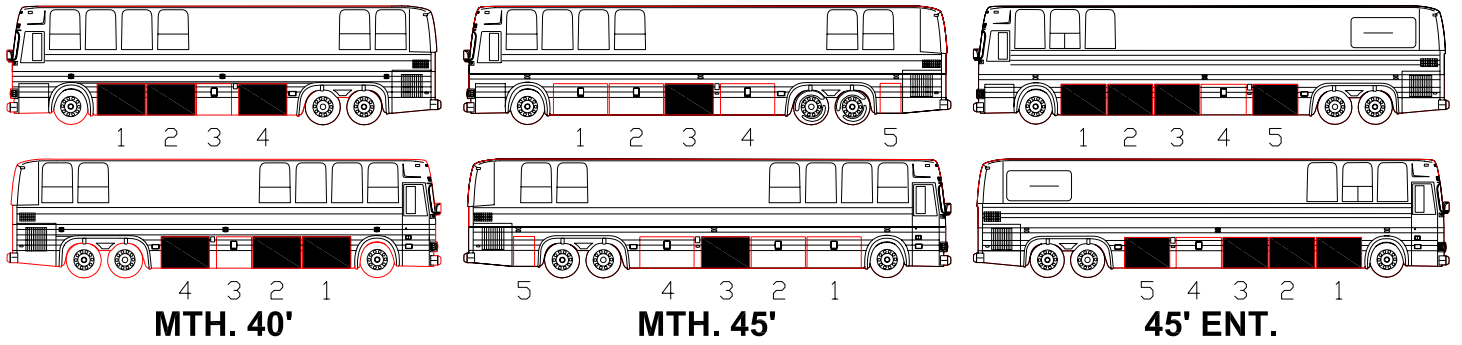
NOTE:

- LARGE LUGGAGE DOOR FOR MTH 40'
- SMALL LUGGAGE DOOR FOR MTH 45'
- LARGE LUGGAGE DOOR FOR 45' ENT.

POSITION 2 ON M.T.H. 40' AND 3 ON 45' ENT ARE NOT VALID STARTING WITH V-6258. SEE 45" DOOR OPTION LIST.

TOTAL PERFORATED AREA: 1.39 f ²	EFF : E-638	DOOR ASSY ONLY IN SERVICE PART	N.A.
	PRIOR: Y-7045		
DATE: 99-12	WITH INSULATION	OPTION LIST	482546
REV. : A	WITHOUT INSULATION X		

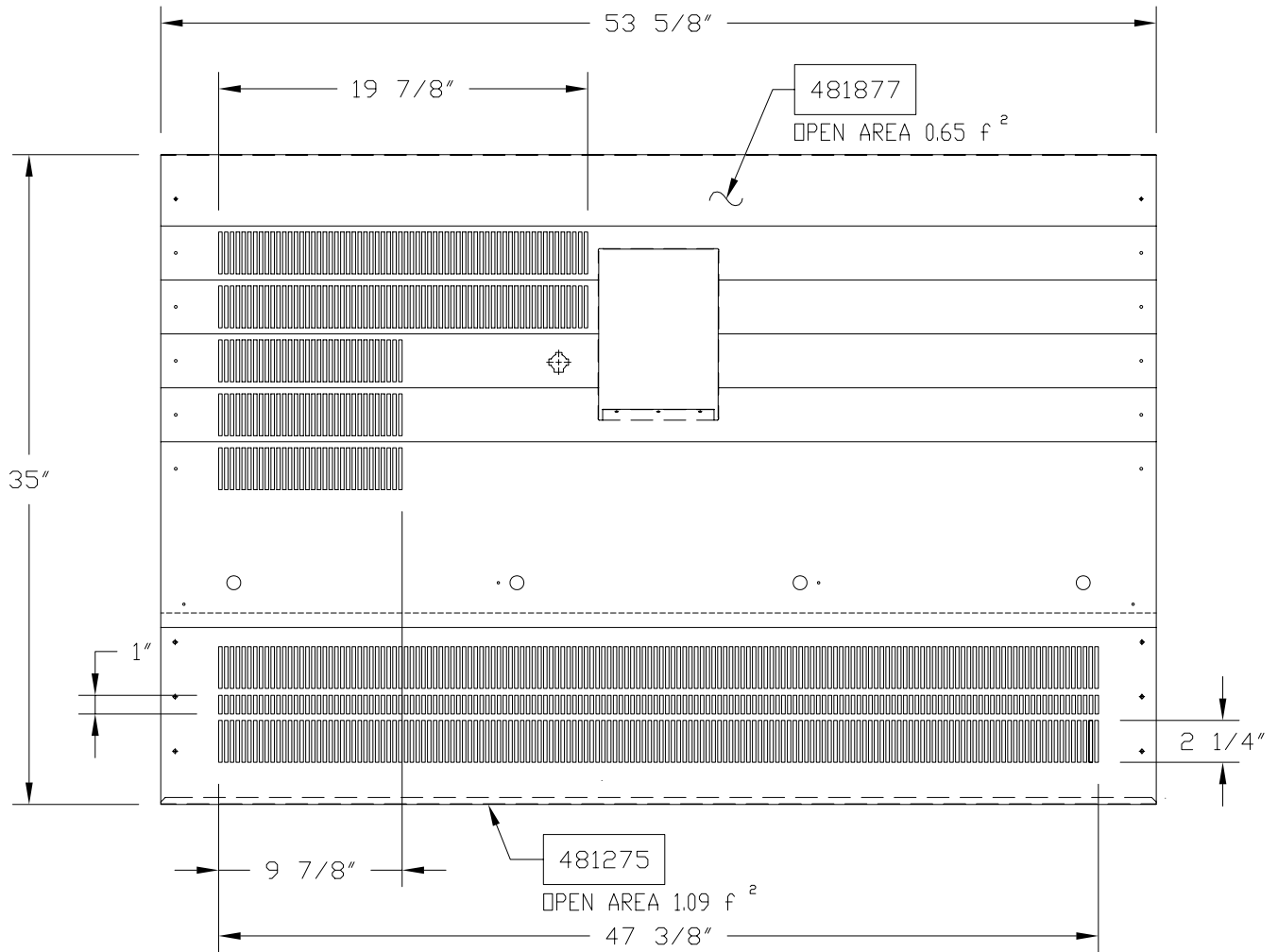
PREVOST XL SERIES



MTH. 40'

MTH. 45'

45' ENT.



EXTERIOR VIEW

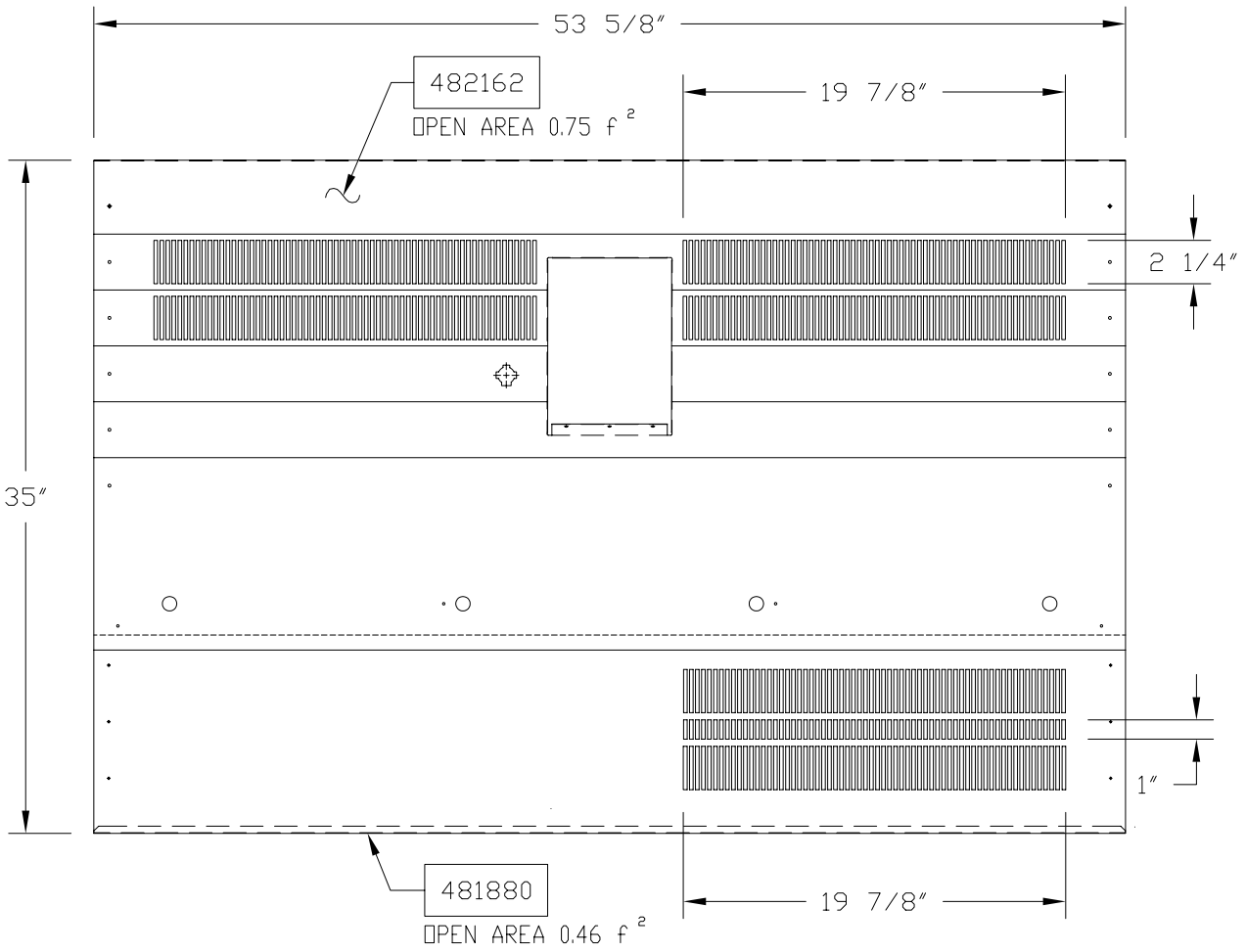
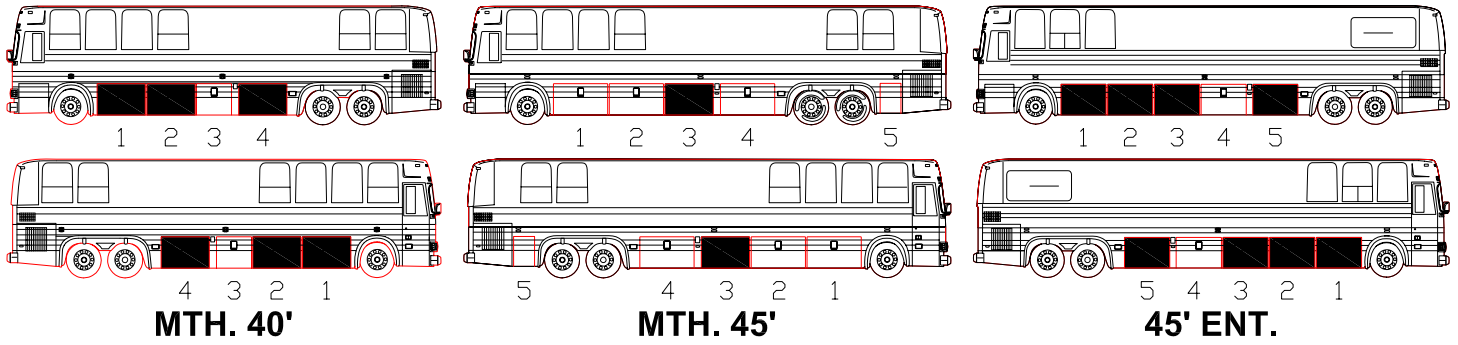
NOTE:

- LARGE LUGGAGE DOOR FOR MTH 40'
- SMALL LUGGAGE DOOR FOR MTH 45'
- LARGE LUGGAGE DOOR FOR 45' ENT.

POSITION 2 ON M.T.H. 40' AND
3 ON 45' ENT ARE NOT VALID
STARTING WITH V-6258.
SEE 45" DOOR OPTION LIST.

TOTAL PERFORATED AREA: 1.74 f ²	EFF : E-638	DOOR ASSY ONLY IN SERVICE PART	N.A.
	PRIOR: Y-7045		
DATE: 99-12	WITH INSULATION	OPTION LIST	482692
REV. : A	WITHOUT INSULATION X		

PREVOST XL SERIES



EXTERIOR VIEW

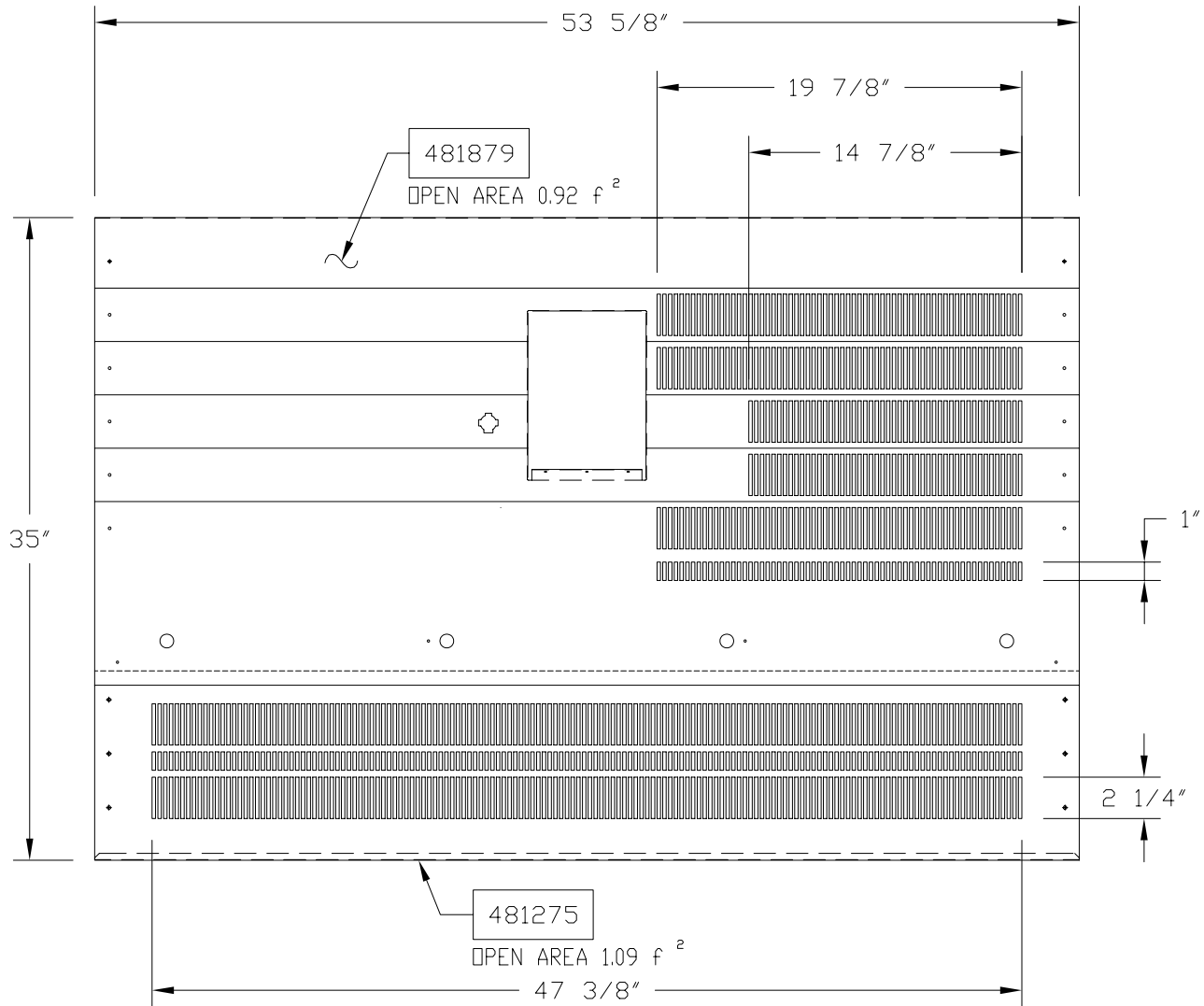
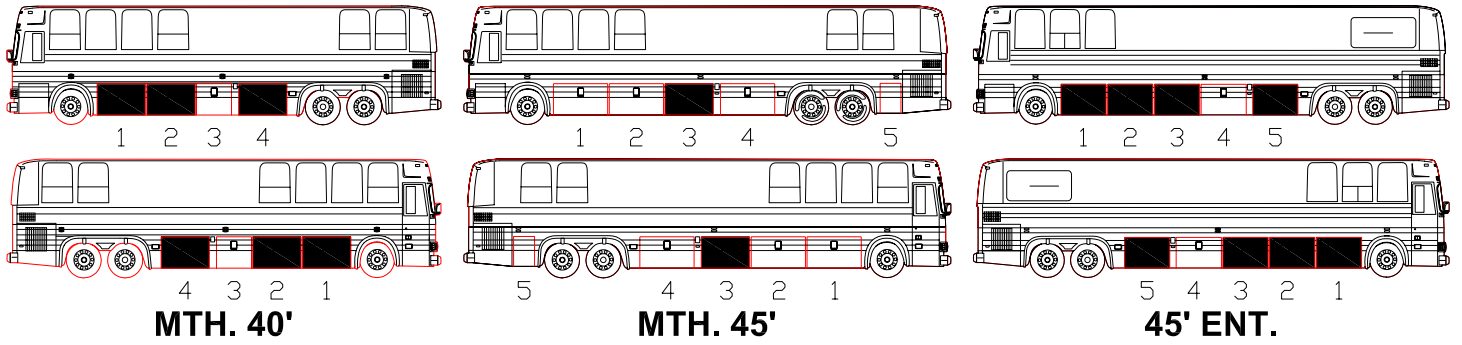
NOTE:

- LARGE LUGGAGE DOOR FOR MTH 40'
- SMALL LUGGAGE DOOR FOR MTH 45'
- LARGE LUGGAGE DOOR FOR 45' ENT.

POSITION 2 ON M.T.H. 40' AND
3 ON 45' ENT ARE NOT VALID
STARTING WITH V-6258.
SEE 45" DOOR OPTION LIST.

TOTAL PERFORATED AREA: 1.21 f ²	EFF : E-638	DOOR ASSY ONLY IN SERVICE PART	N.A.
	PRIOR: Y-7045		
DATE: 99-12	WITH INSULATION	OPTION LIST	482710
REV. : B	WITHOUT INSULATION X		

PREVOST XL SERIES



EXTERIOR VIEW

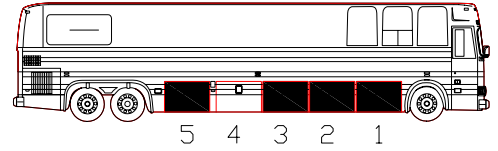
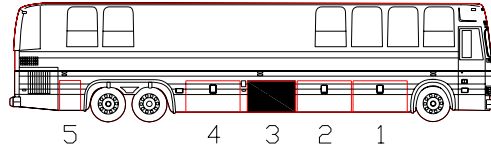
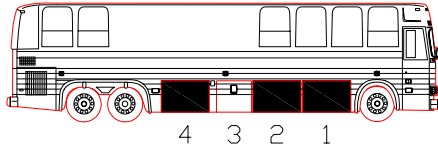
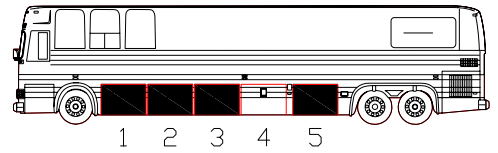
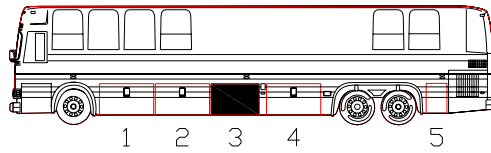
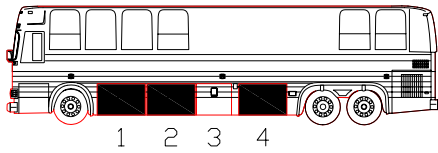
NOTE:

- LARGE LUGGAGE DOOR FOR MTH 40'
- SMALL LUGGAGE DOOR FOR MTH 45'
- LARGE LUGGAGE DOOR FOR 45' ENT.

POSITION 2 ON M.T.H. 40' AND 3 ON 45' ENT ARE NOT VALID STARTING WITH V-6258. SEE 45" DOOR OPTION LIST.

TOTAL PERFORATED AREA: 2.01 f ²	EFF : E-638		DOOR ASSY ONLY IN SERVICE PART	N.A.
	PRIOR: Y-7045			
DATE: 99-12	WITH INSULATION		OPTION LIST	482727
REV. : A	WITHOUT INSULATION X			

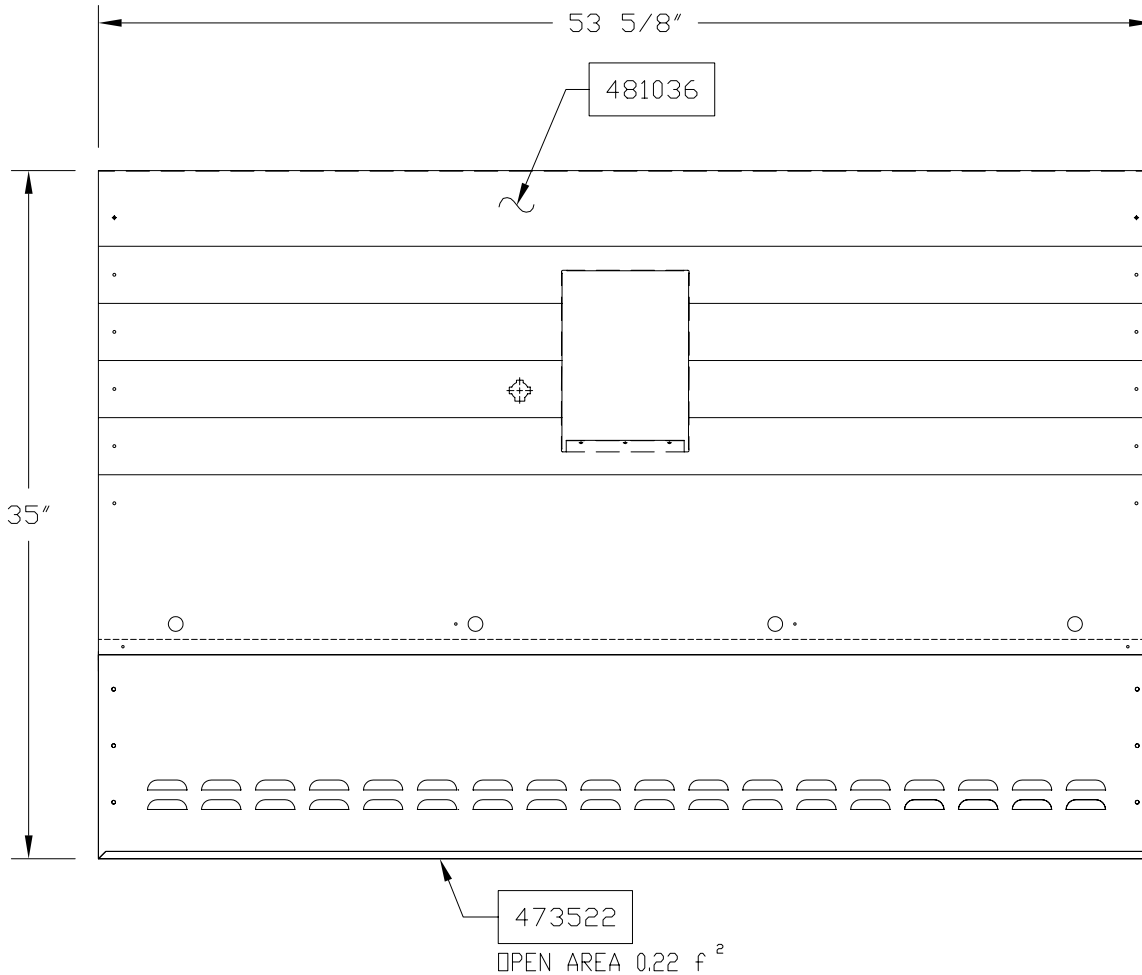
PREVOST XL SERIES



MTH. 40'

MTH. 45'

45' ENT.



EXTERIOR VIEW

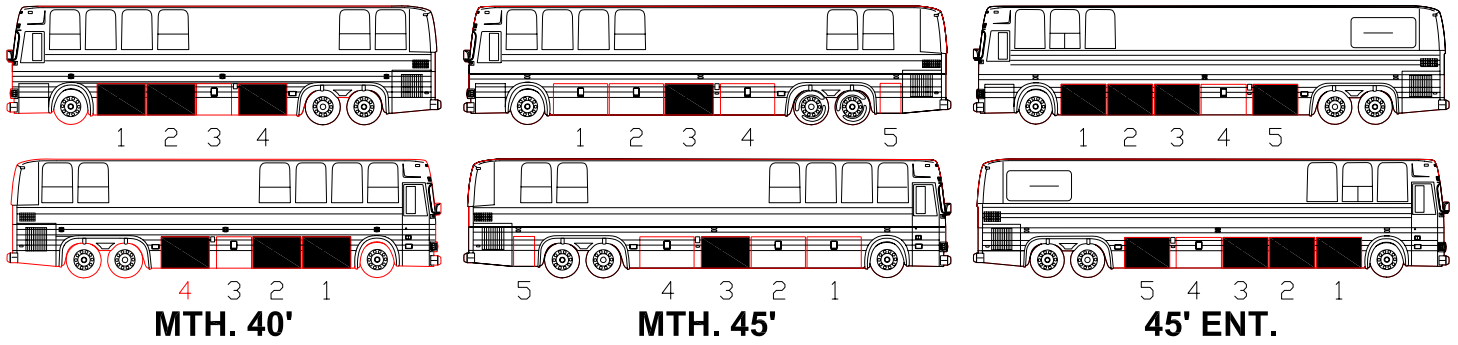
NOTE:

- LARGE LUGGAGE DOOR FOR MTH 40'
- SMALL LUGGAGE DOOR FOR MTH 45'
- LARGE LUGGAGE DOOR FOR 45' ENT.

POSITION 2 ON M.T.H. 40' AND 3 ON 45' ENT ARE NOT VALID STARTING WITH V-6258. SEE 45" DOOR OPTION LIST.

TOTAL PERFORATED AREA: 0.22 f ²	EFF : E-638	DOOR ASSY ONLY IN SERVICE PART	N.A.
	PRIOR: Y-7045		
DATE: 99-12	WITH INSULATION	OPTION LIST	482740
REV. : A	WITHOUT INSULATION		

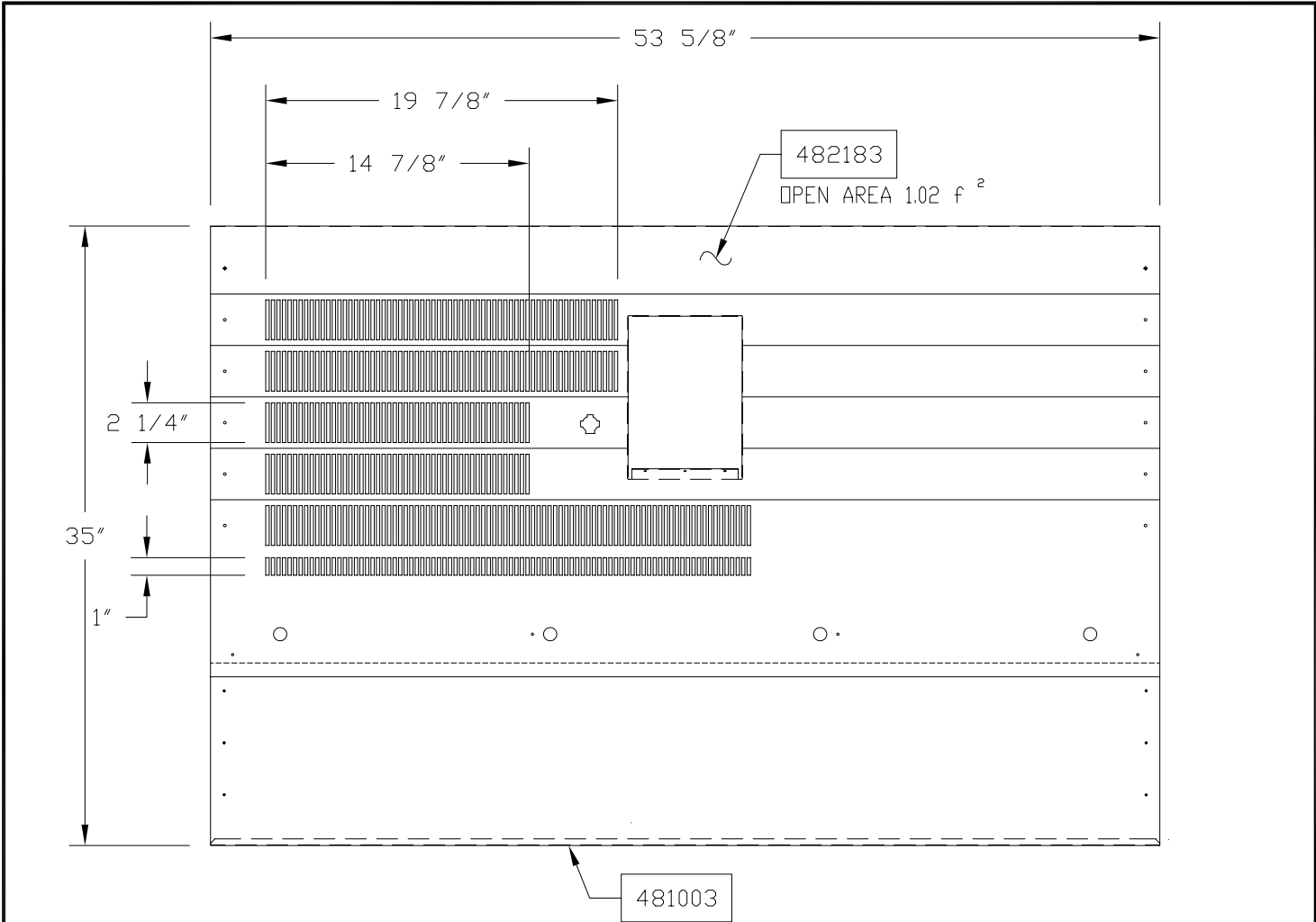
PREVOST XL SERIES



MTH. 40'

MTH. 45'

45' ENT.



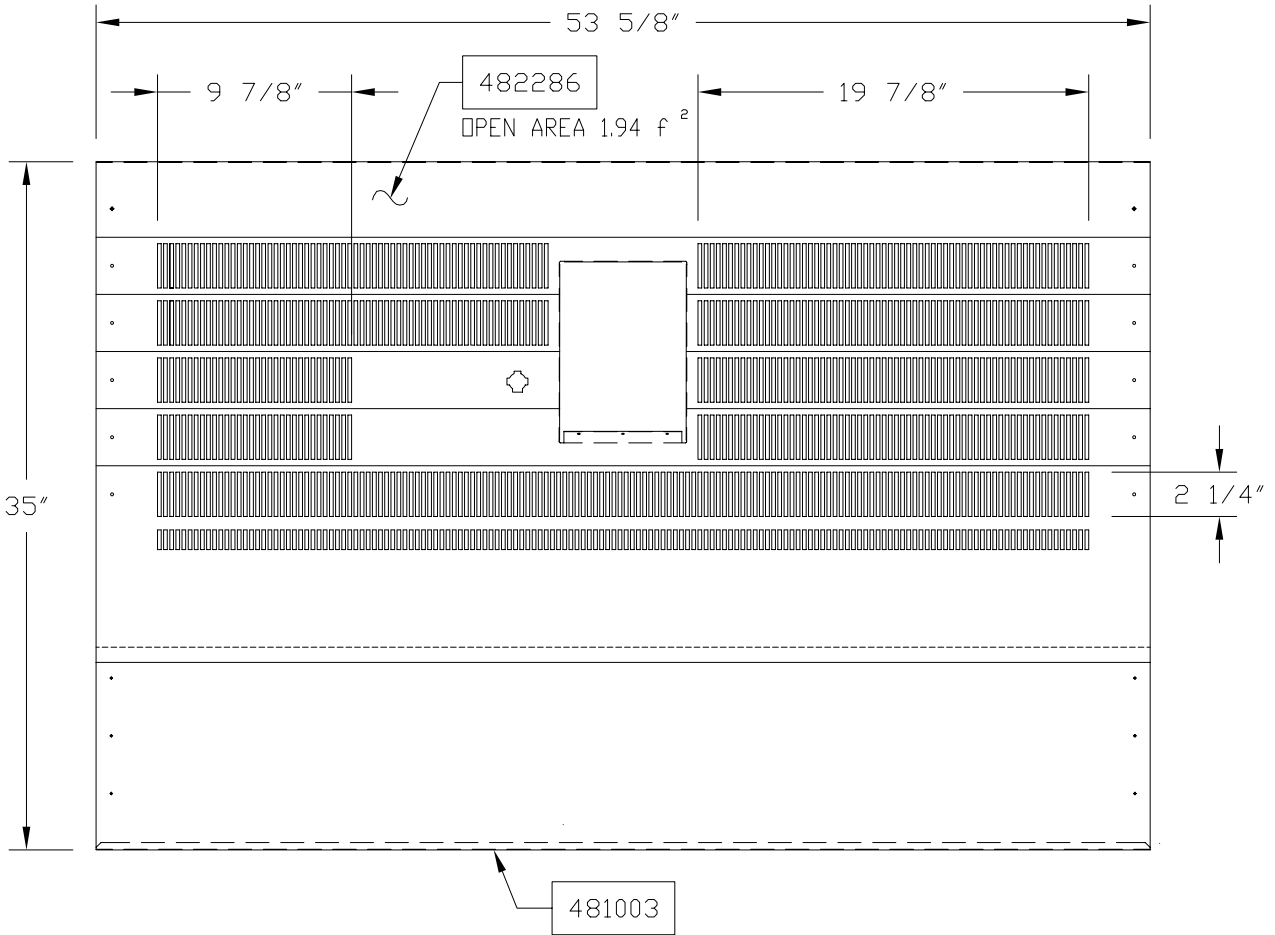
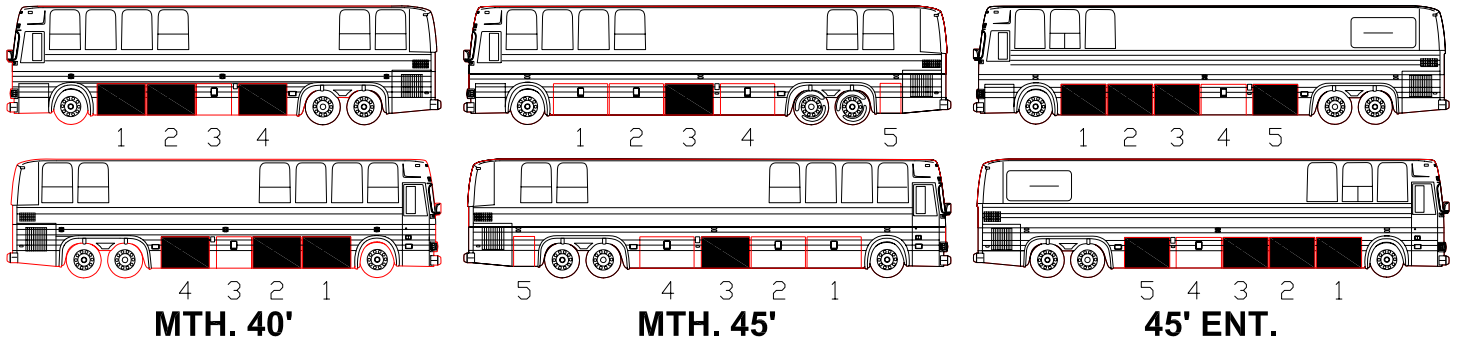
NOTE:

- LARGE LUGGAGE DOOR FOR MTH 40'
- SMALL LUGGAGE DOOR FOR MTH 45'
- LARGE LUGGAGE DOOR FOR 45' ENT.

POSITION 2 ON M.T.H. 40' AND
3 ON 45' ENT ARE NOT VALID
STARTING WITH V-6258.
SEE 45" DOOR OPTION LIST.

TOTAL PERFORATED AREA: 1.02 f ²	EFF : E-638		DOOR ASSY ONLY IN SERVICE PART	N.A.
	PRIOR: Y-7045			
DATE: 99-12	WITH INSULATION	X	OPTION LIST	482756
REV. : A	WITHOUT INSULATION			

PREVOST XL SERIES



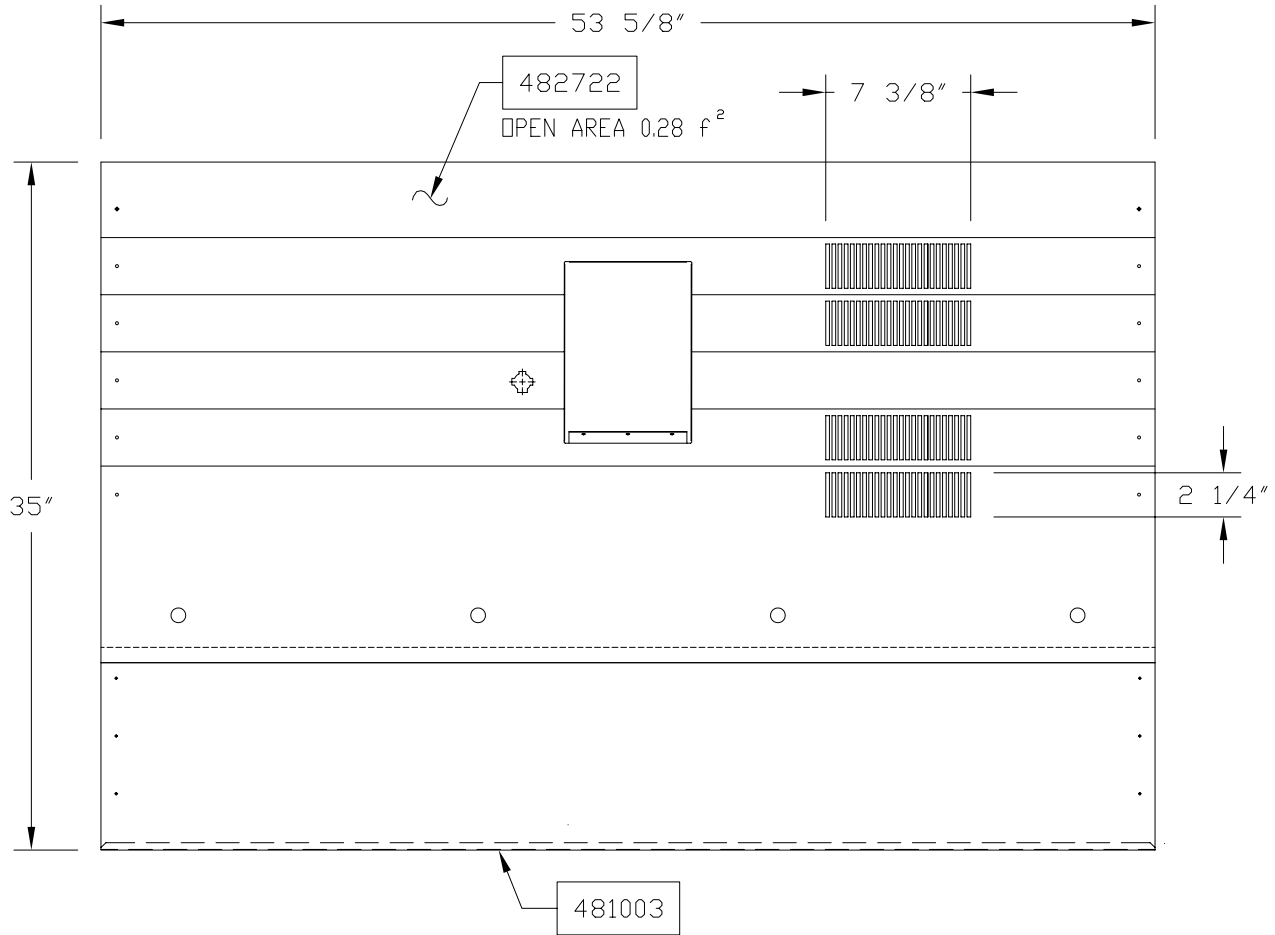
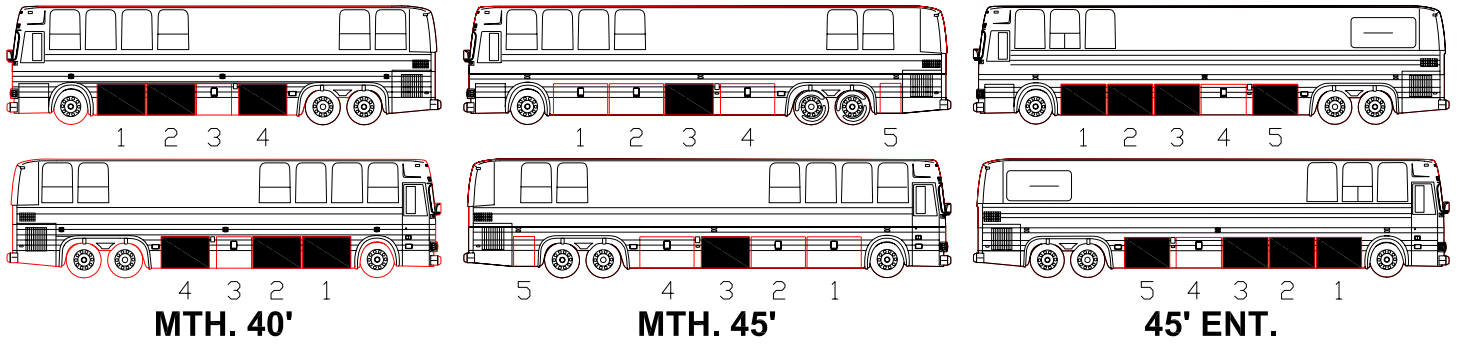
NOTE:

- LARGE LUGGAGE DOOR FOR MTH 40'
- SMALL LUGGAGE DOOR FOR MTH 45'
- LARGE LUGGAGE DOOR FOR 45' ENT.

POSITION 2 ON M.T.H. 40' AND 3 ON 45' ENT ARE NOT VALID STARTING WITH V-6258. SEE 45" DOOR OPTION LIST.

TOTAL PERFORATED AREA: 1.94 f ²	EFF : E-638	DOOR ASSY ONLY IN SERVICE PART	N.A.
	PRIOR: Y-7045		
DATE: 99-12	WITH INSULATION	OPTION LIST	482757
REV. : A	WITHOUT INSULATION X		

PREVOST XL SERIES



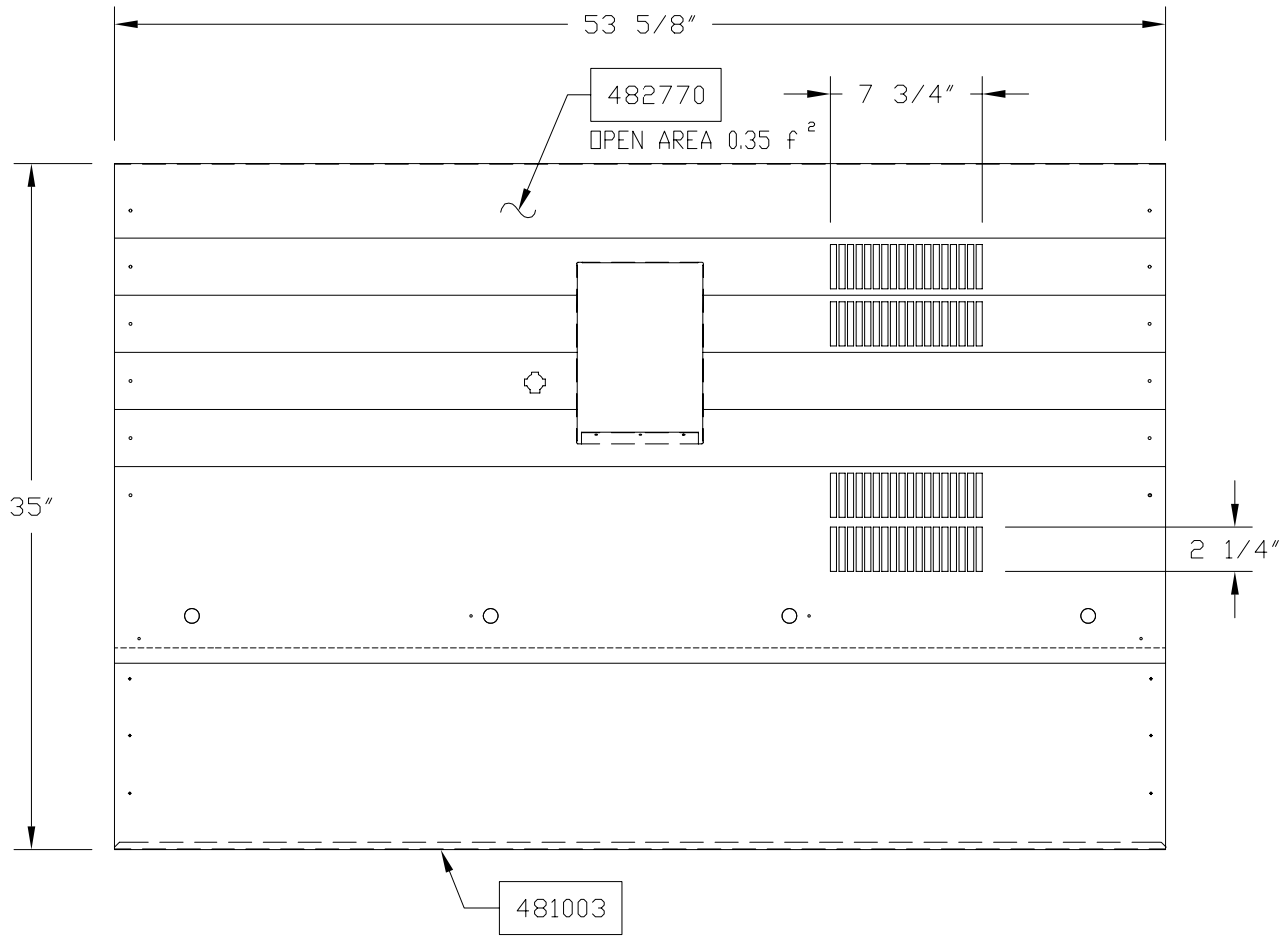
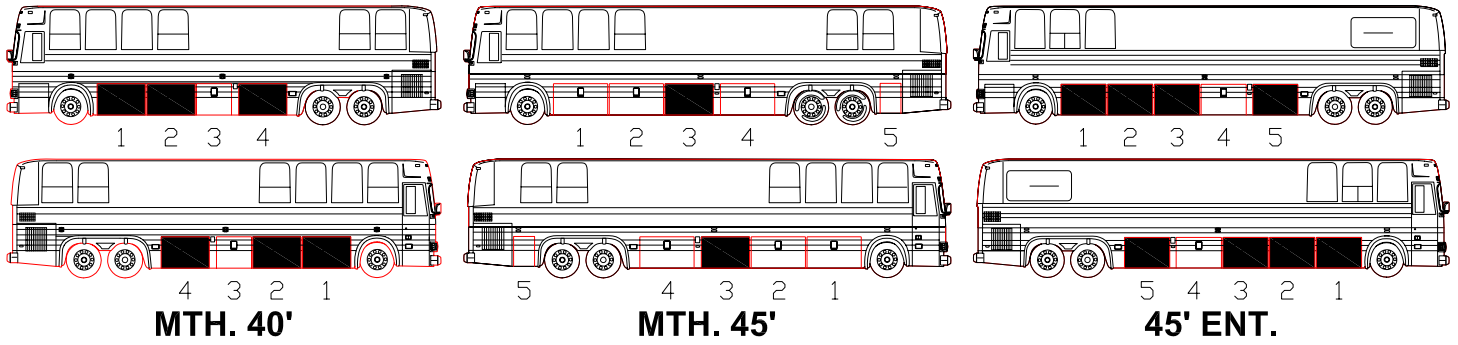
NOTE:

- LARGE LUGGAGE DOOR FOR MTH 40'
- SMALL LUGGAGE DOOR FOR MTH 45'
- LARGE LUGGAGE DOOR FOR 45' ENT.

POSITION 2 ON M.T.H. 40' AND 3 ON 45' ENT ARE NOT VALID STARTING WITH V-6258. SEE 45" DOOR OPTION LIST.

TOTAL PERFORATED AREA: 0.28 f ²	EFF : E-638		DOOR ASSY ONLY IN SERVICE PART	N.A.
	PRIOR: Y-7045			
DATE: 99-12	WITH INSULATION	X	OPTION LIST	482761
REV. : A	WITHOUT INSULATION			

PREVOST XL SERIES



EXTERIOR VIEW

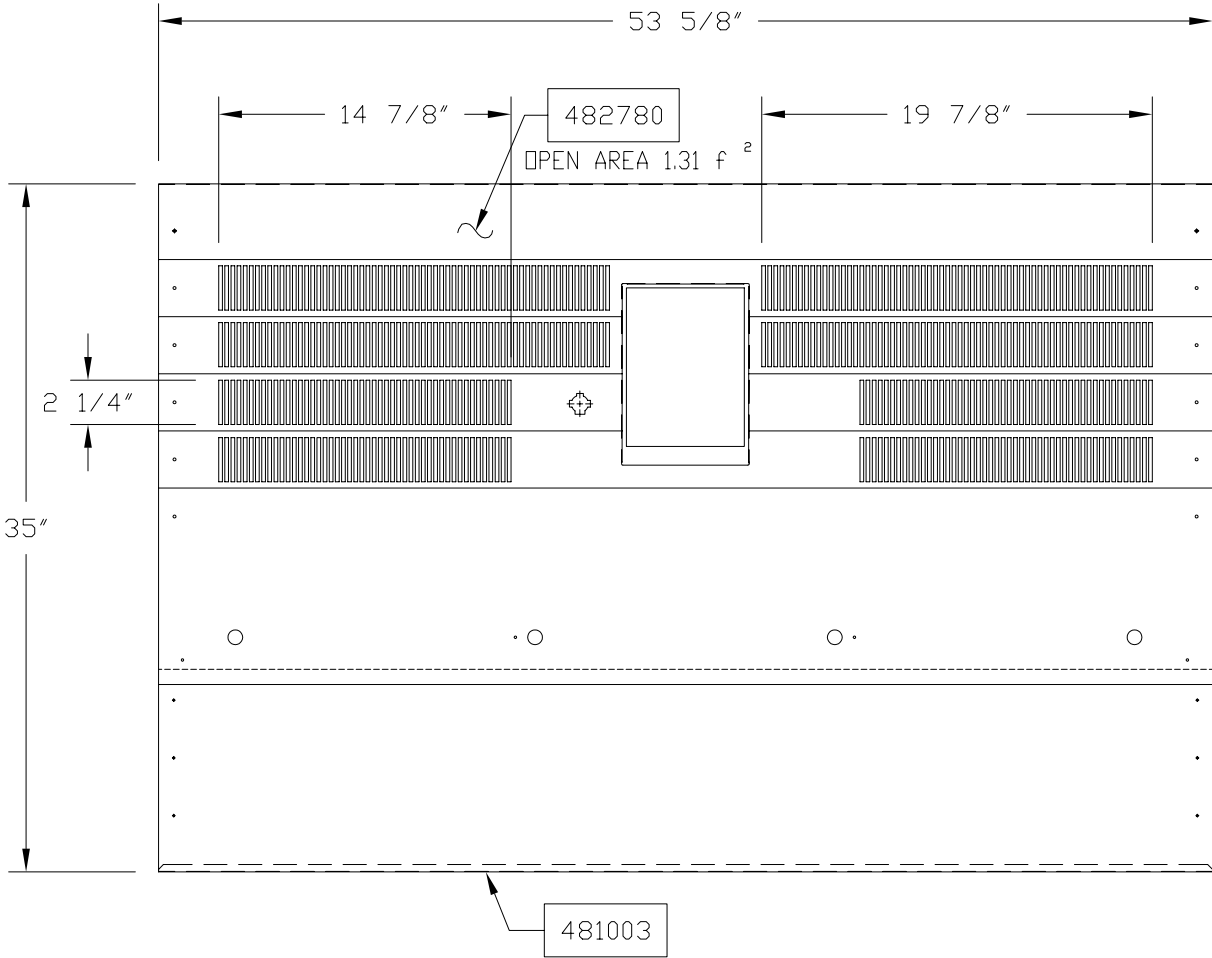
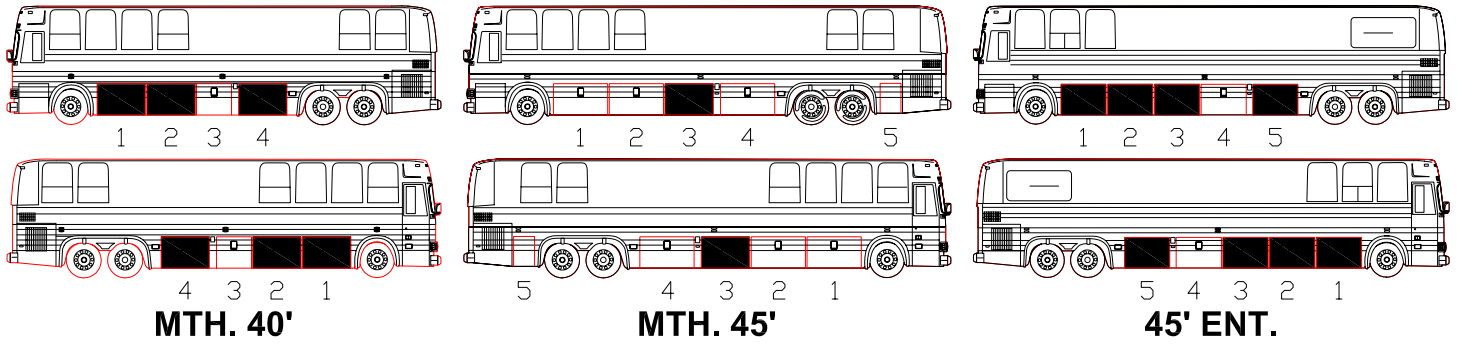
NOTE:

- LARGE LUGGAGE DOOR FOR MTH 40'
- SMALL LUGGAGE DOOR FOR MTH 45'
- LARGE LUGGAGE DOOR FOR 45' ENT.

POSITION 2 ON M.T.H. 40' AND 3 ON 45' ENT ARE NOT VALID STARTING WITH V-6258. SEE 45" DOOR OPTION LIST.

TOTAL PERFORATED AREA: 0.35 f ²	EFF : E-638		DOOR ASSY ONLY IN SERVICE PART	N.A.
	PRIOR: Y-7045			
DATE: 99-12	WITH INSULATION	X	OPTION LIST	482775
REV. : A	WITHOUT INSULATION			

PREVOST XL SERIES



EXTERIOR VIEW

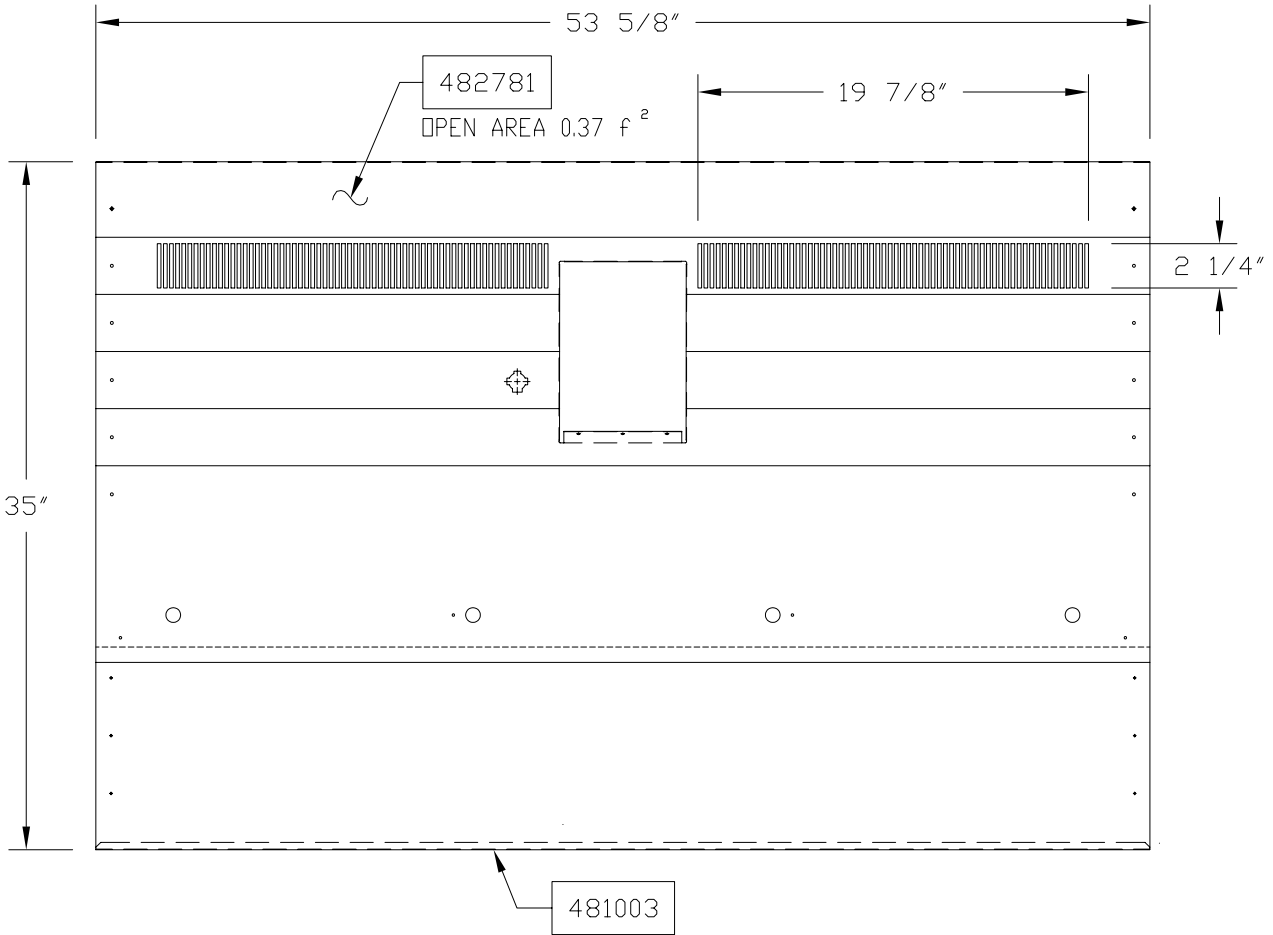
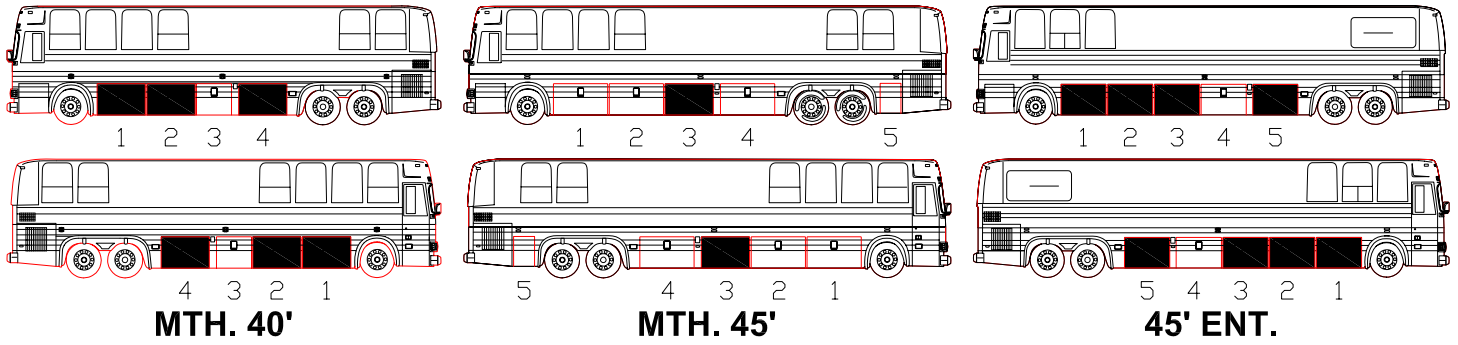
NOTE:

- LARGE LUGGAGE DOOR FOR MTH 40'
- SMALL LUGGAGE DOOR FOR MTH 45'
- LARGE LUGGAGE DOOR FOR 45' ENT.

POSITION 2 ON M.T.H. 40' AND 3 ON 45' ENT ARE NOT VALID STARTING WITH V-6258. SEE 45" DOOR OPTION LIST.

TOTAL PERFORATED AREA: 1.31 f ²	EFF : E-638	DOOR ASSY ONLY IN SERVICE PART	N.A.
	PRIOR: Y-7045		
DATE: 99-12	WITH INSULATION	OPTION LIST	482784
REV. : A	WITHOUT INSULATION X		

PREVOST XL SERIES



EXTERIOR VIEW

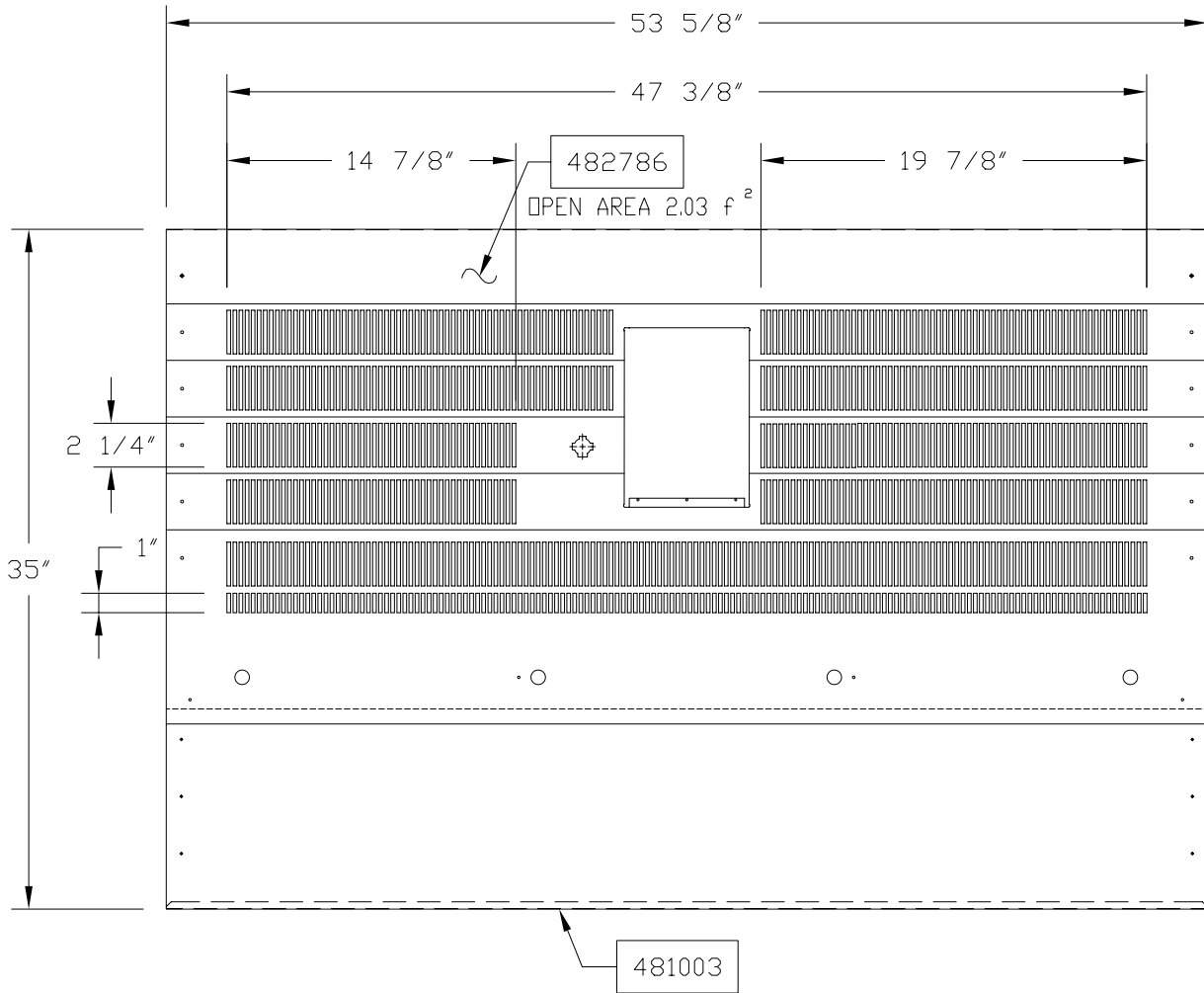
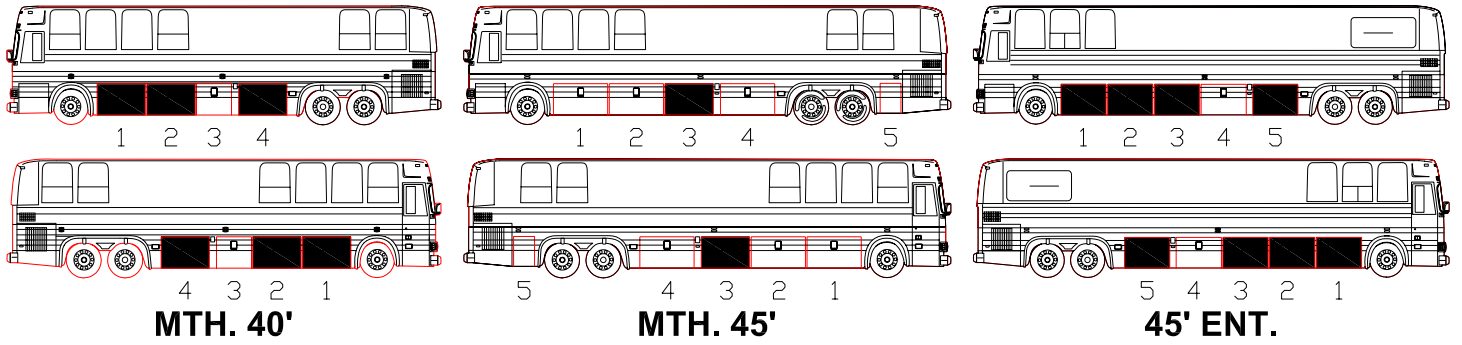
NOTE:

- LARGE LUGGAGE DOOR FOR MTH 40'
- SMALL LUGGAGE DOOR FOR MTH 45'
- LARGE LUGGAGE DOOR FOR 45' ENT.

POSITION 2 ON M.T.H. 40' AND
3 ON 45' ENT ARE NOT VALID
STARTING WITH V-6258.
SEE 45" DOOR OPTION LIST.

TOTAL PERFORATED AREA: 0.37 f ²	EFF : E-638		DOOR ASSY ONLY IN SERVICE PART	N.A.
	PRIOR: Y-7045			
DATE: 99-12	WITH INSULATION	X	OPTION LIST	482785
REV. : A	WITHOUT INSULATION			

PREVOST XL SERIES



EXTERIOR VIEW

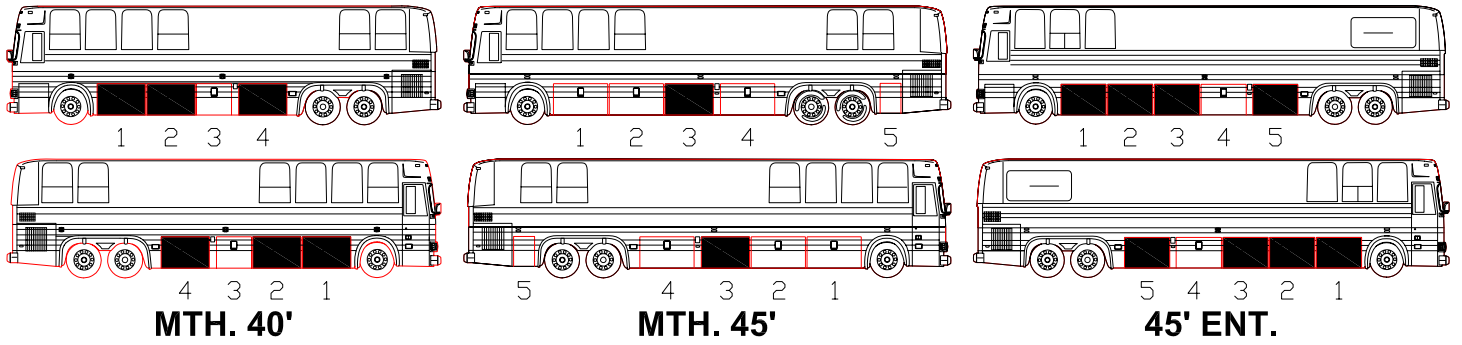
NOTE:

- LARGE LUGGAGE DOOR FOR MTH 40'
- SMALL LUGGAGE DOOR FOR MTH 45'
- LARGE LUGGAGE DOOR FOR 45' ENT.

POSITION 2 ON M.T.H. 40' AND
3 ON 45' ENT ARE NOT VALID
STARTING WITH V-6258.
SEE 45" DOOR OPTION LIST.

TOTAL PERFORATED AREA: 2.04 f ²	EFF : E-638	DOOR ASSY ONLY IN SERVICE PART	N.A.
	PRIOR: Y-7045		
DATE: 99-12	WITH INSULATION	OPTION LIST	482789
REV. : A	WITHOUT INSULATION X		

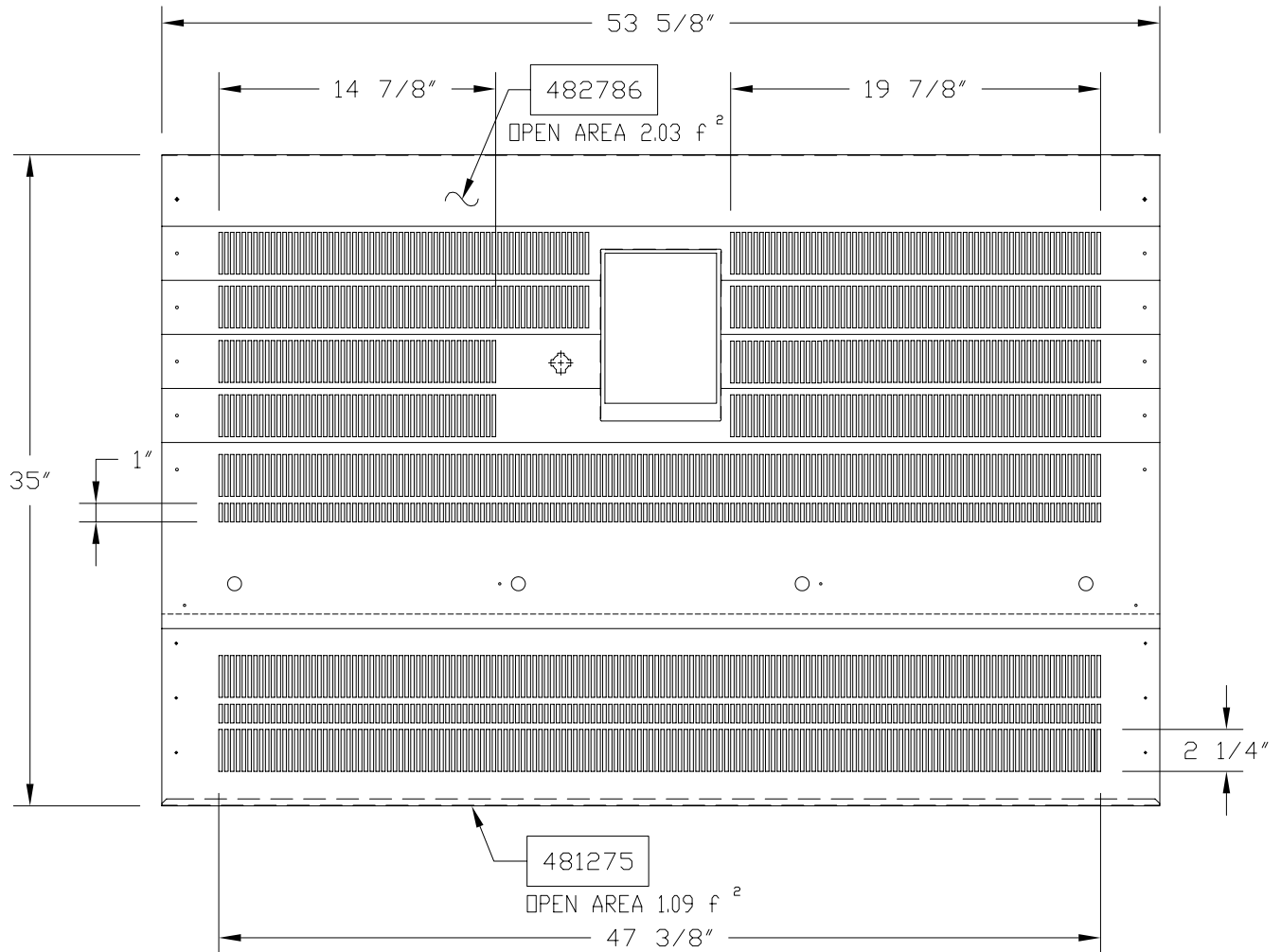
PREVOST XL SERIES



MTH. 40'

MTH. 45'

45' ENT.



EXTERIOR VIEW

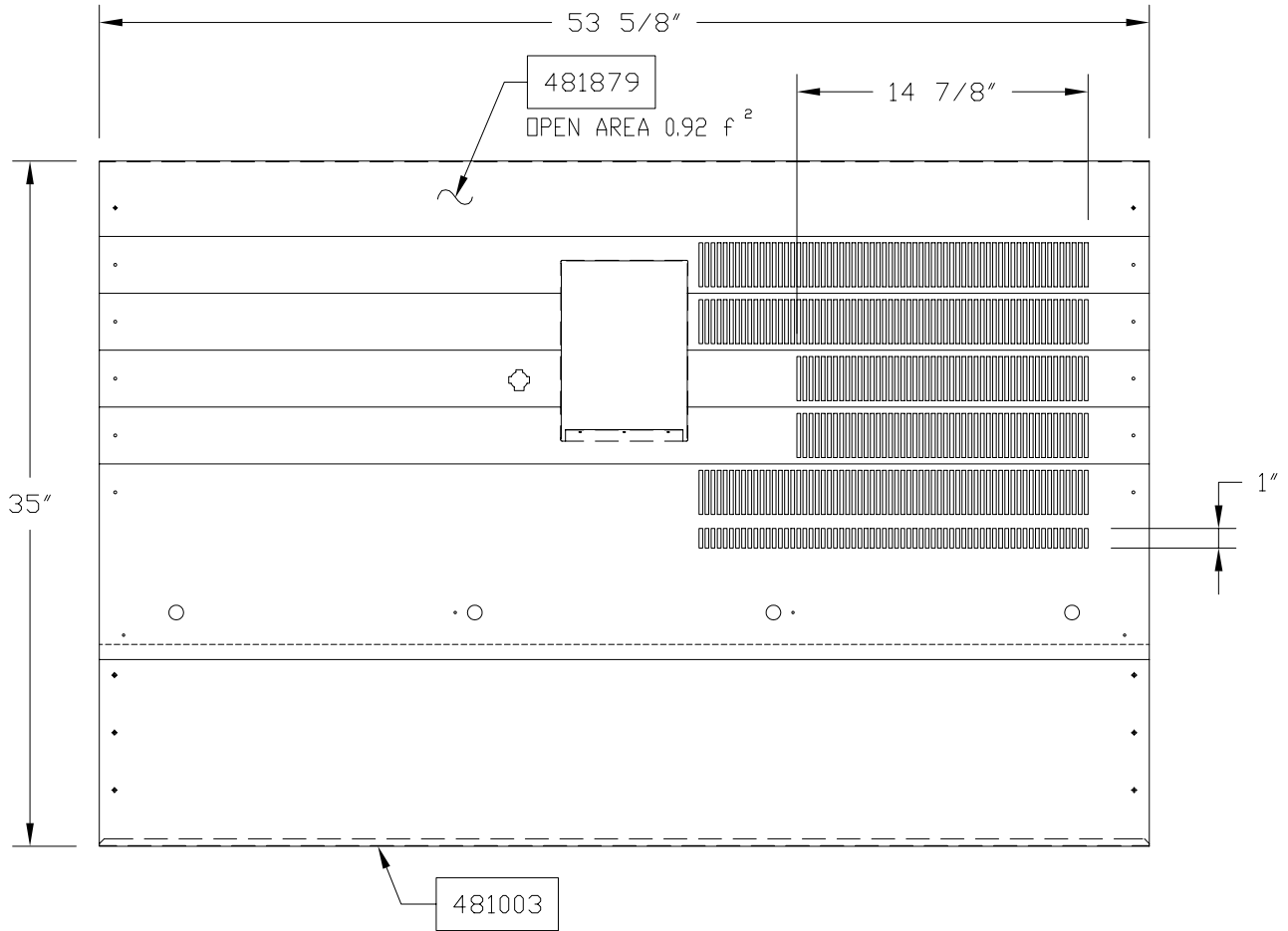
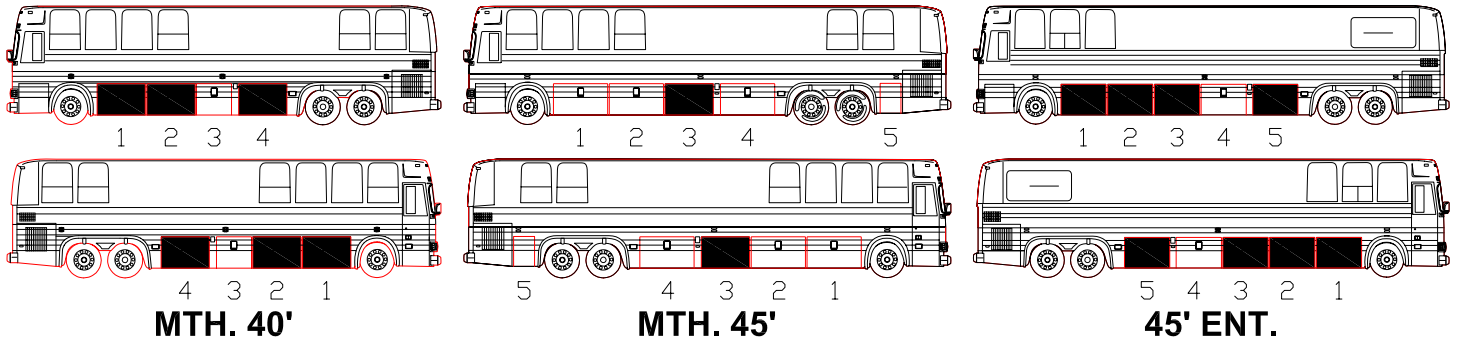
NOTE:

- LARGE LUGGAGE DOOR FOR MTH 40'
- SMALL LUGGAGE DOOR FOR MTH 45'
- LARGE LUGGAGE DOOR FOR 45' ENT.

POSITION 2 ON M.T.H. 40' AND 3 ON 45' ENT ARE NOT VALID STARTING WITH V-6258. SEE 45" DOOR OPTION LIST.

TOTAL PERFORATED AREA: 3.12 f ²	EFF : E-638	DOOR ASSY ONLY IN SERVICE PART	N.A.
	PRIOR: Y-7045		
DATE: 99-12	WITH INSULATION	OPTION LIST	482792
REV. : A	WITHOUT INSULATION X		

PREVOST XL SERIES



EXTERIOR VIEW

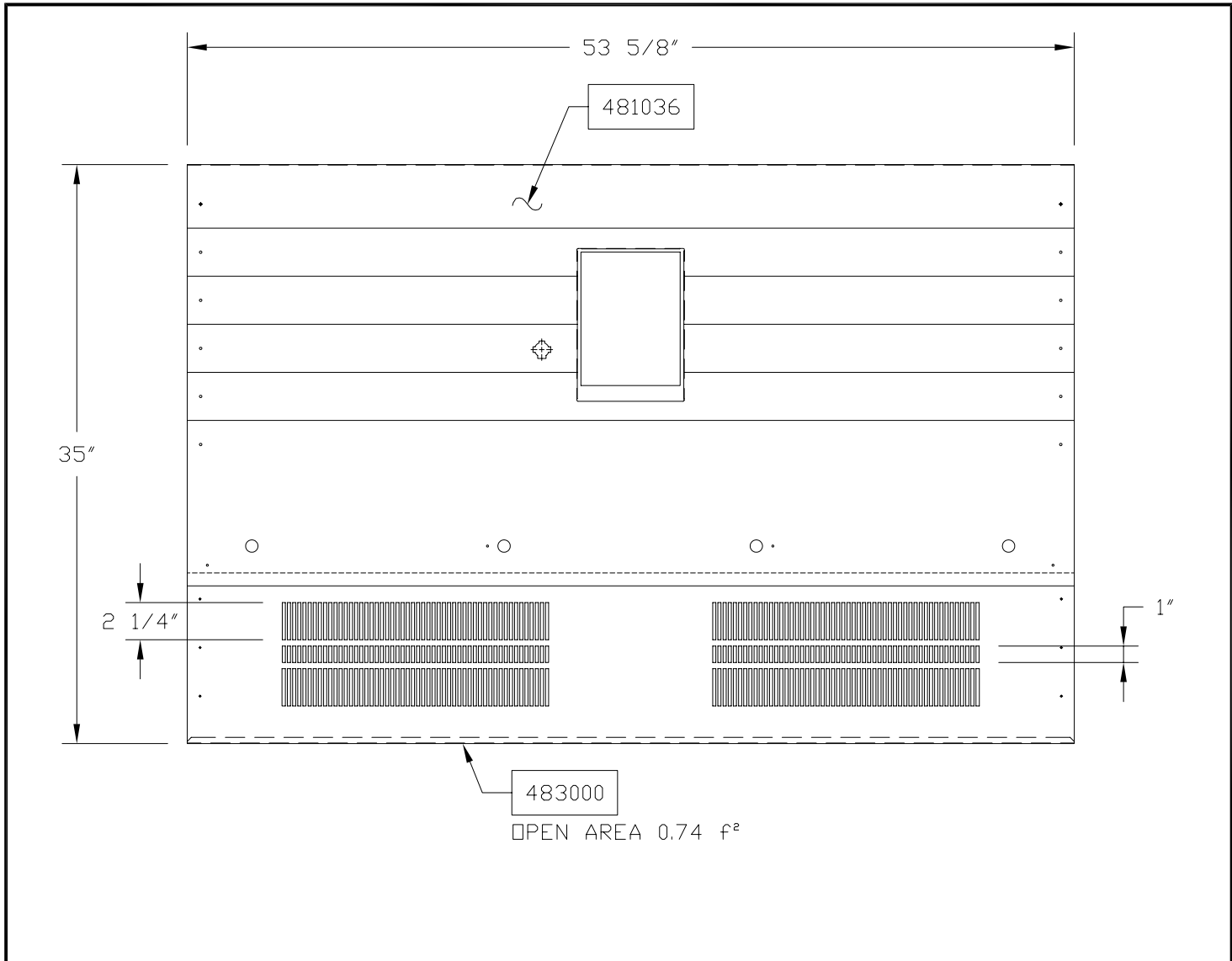
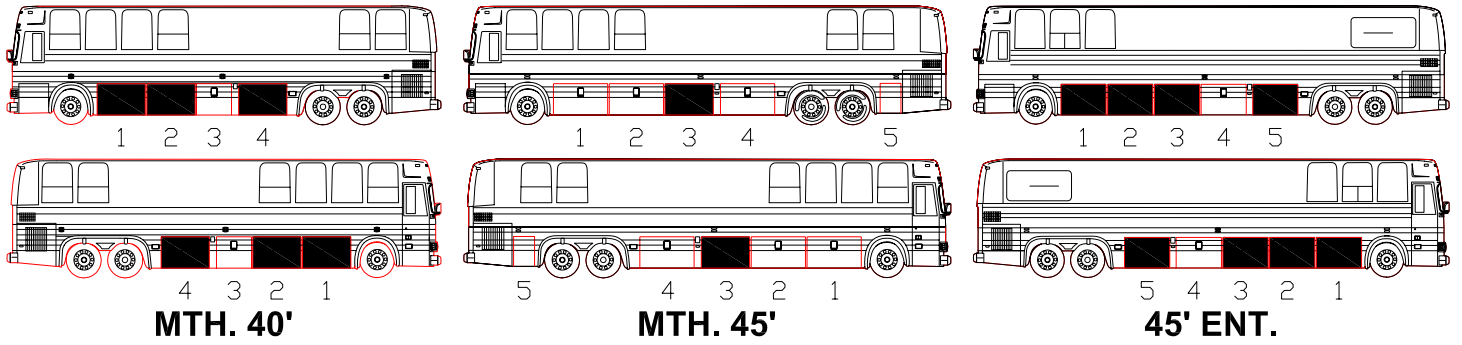
NOTE:

- LARGE LUGGAGE DOOR FOR MTH 40'
- SMALL LUGGAGE DOOR FOR MTH 45'
- LARGE LUGGAGE DOOR FOR 45' ENT.

POSITION 2 ON M.T.H. 40' AND 3 ON 45' ENT ARE NOT VALID STARTING WITH V-6258. SEE 45" DOOR OPTION LIST.

TOTAL PERFORATED AREA: 0.92 f ²	EFF : E-638		DOOR ASSY ONLY IN SERVICE PART	N.A.
	PRIOR: Y-7045			
DATE: 99-12	WITH INSULATION	X	OPTION LIST	482817
REV. : A	WITHOUT INSULATION			

PREVOST XL SERIES



EXTERIOR VIEW

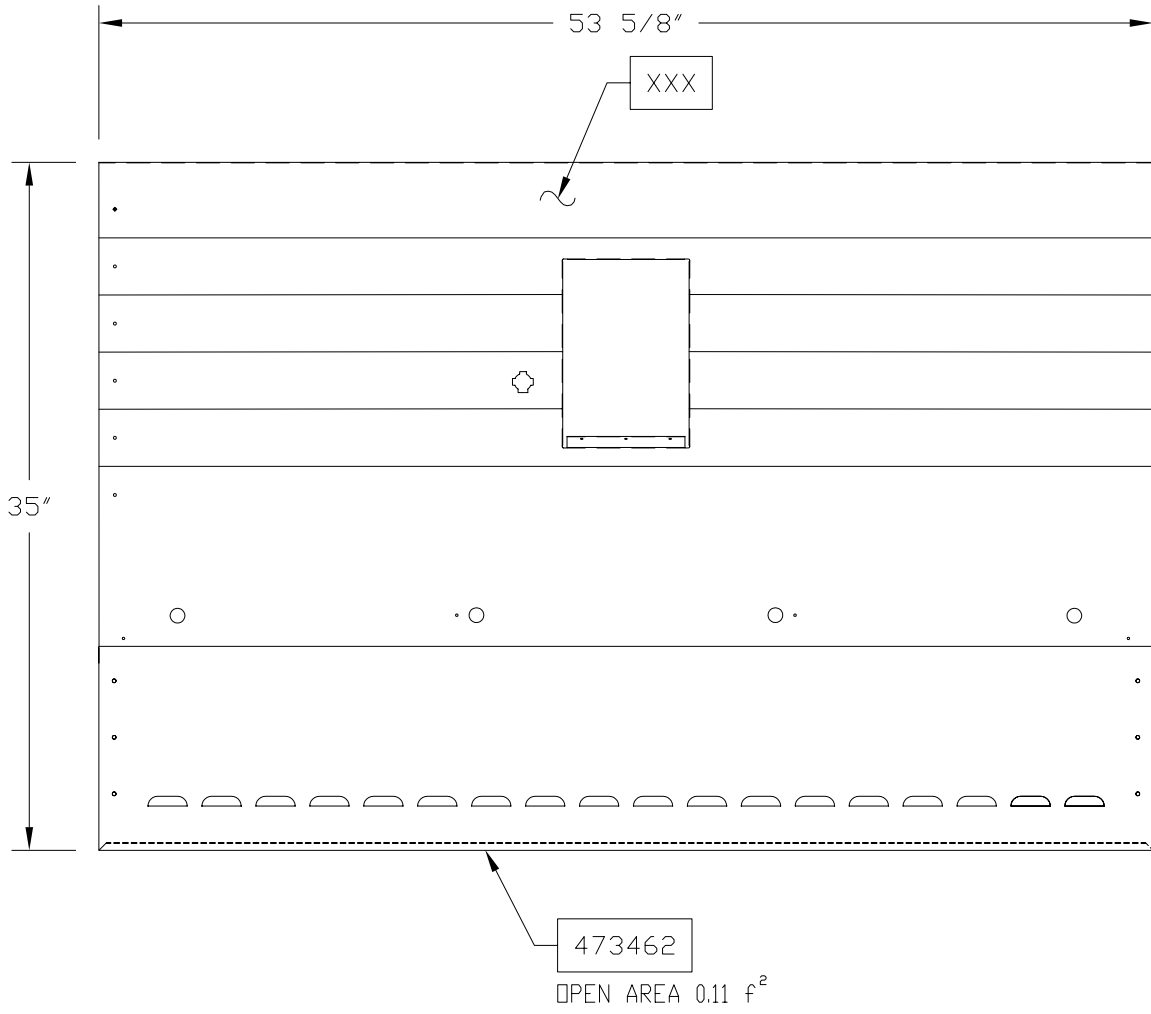
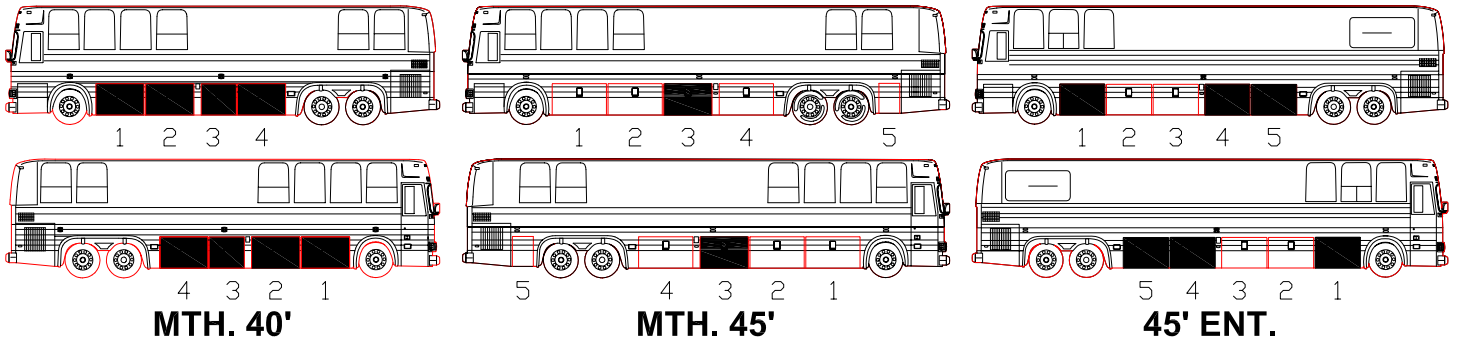
NOTE:

- LARGE LUGGAGE DOOR FOR MTH 40'
- SMALL LUGGAGE DOOR FOR MTH 45'
- LARGE LUGGAGE DOOR FOR 45' ENT.

POSITION 2 ON M.T.H. 40' AND
3 ON 45' ENT ARE NOT VALID
STARTING WITH V-6258.
SEE 45" DOOR OPTION LIST.

TOTAL PERFORATED AREA: 0.74 f ²	EFF : E-638	DOOR ASSY ONLY IN SERVICE PART	N.A.
	PRIOR: Y-7045		
DATE: 99-12	WITH INSULATION	OPTION LIST	482999
REV. : B	WITHOUT INSULATION X		

PREVOST XL SERIES



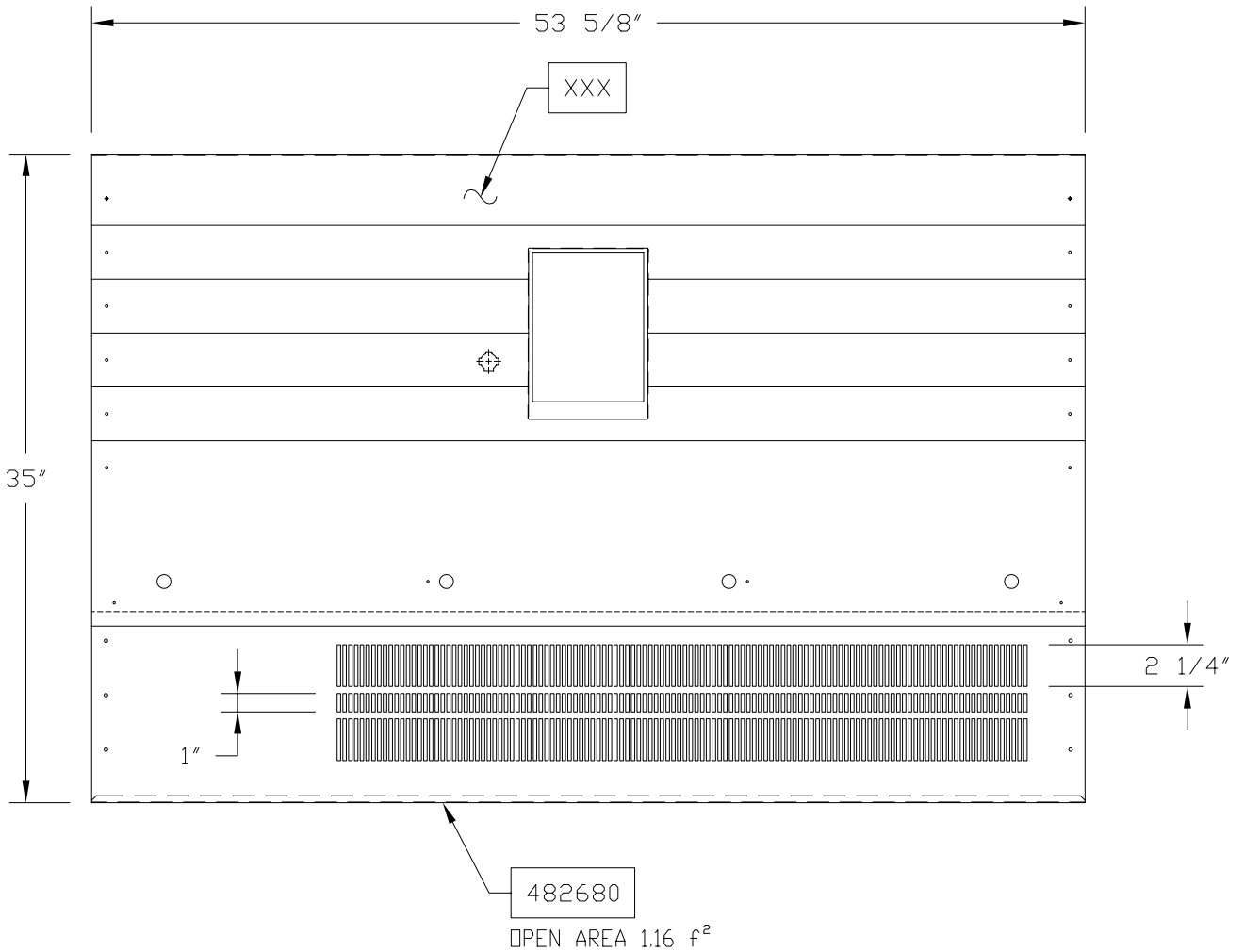
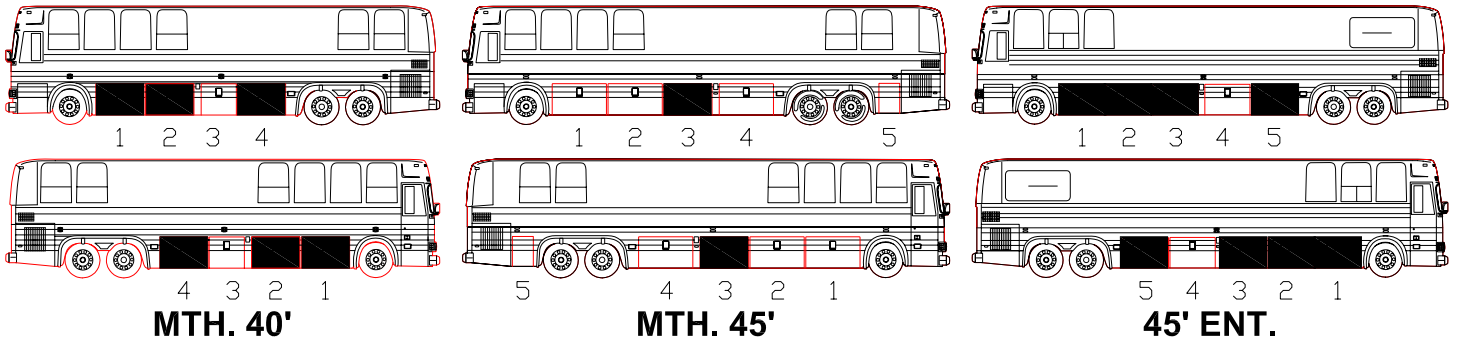
EXTERIOR VIEW

NOTE:

- LARGE LUGGAGE DOOR FOR MTH 40'
- LARGE LUGGAGE DOOR FOR 45' ENT.
- SMALL LUGGAGE DOOR FOR MTH 45'

TOTAL PERFORATED AREA: 0.11 f ²	EFF : V-6258	SERVICE PART ONLY	473462
	PRIOR: Y-7045		
DATE: 03-07	WITH INSULATION	OPTION LIST	4753D
REV. :	WITHOUT INSULATION		

PREVOST XL SERIES



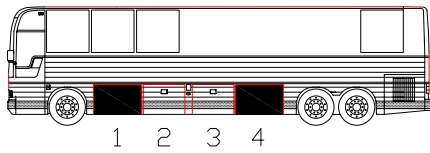
EXTERIOR VIEW

NOTE:

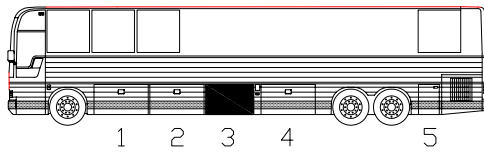
- LARGE LUGGAGE DOOR FOR MTH 40'
- LARGE LUGGAGE DOOR FOR 45' ENT.
- SMALL LUGGAGE DOOR FOR MTH 45'

TOTAL PERFORATED AREA: 1.16 f ²	EFF : E-638	SERVICE PART ONLY	482680
	PRIOR: Y-7045		
DATE: 04-07	WITH INSULATION	OPTION LIST	4753E
REV.: A	WITHOUT INSULATION		

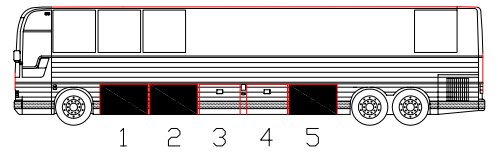
PREVOST *Le Mirage XL*



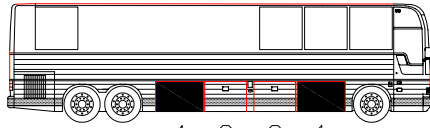
1 2 3 4



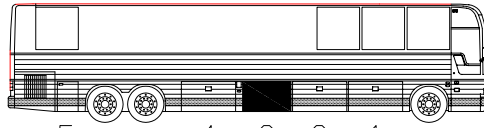
1 2 3 4 5



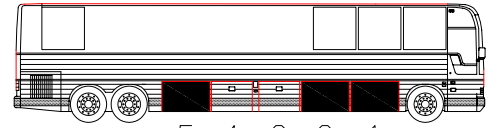
1 2 3 4 5



4 3 2 1
MTH. 40'



5 4 3 2 1
MTH. 45'



5 4 3 2 1
45' ENT.

53" BAGGAGE DOORS

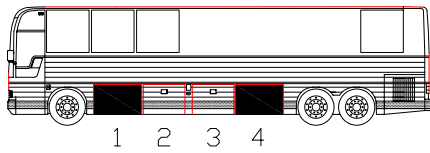
OPTION LIST	UPPER PANEL	LOWER PANEL	PERFORATED AREA F ²	INSULATION	SATIN BLEND SS	BRIGHT SS
482844	482832	481003	NO	X	X	
482844	483827	483772	NO	X		X
482845	482832	481273	0.46	X	X	
482845	483827	483873	0.46	X		X
482846	482831	481639	0.37	X	X	
482846	483826	483875	0.37	X		X
482847	482836	481641	0.63	X	X	
482847	483830	483876	0.63	X		X
482848	482835	481273	0.60	X	X	
482848	483829	483873	0.60	X		X
482849	482835	481003	0.14	X	X	
482849	483829	483772	0.14	X		X
482851	482826	481273	0.71	X	X	
482851	483823	483873	0.71	X		X
482852	482837	481003	1.57		X	
482852	483831	483772	1.57			X
482853	482837	481275	2.65		X	
482853	483831	483874	2.65			X
482854	482839	481003	0.75	X	X	
482854	483833	483772	0.75	X		X
482855	482838	481003	0.14	X	X	
482855	483832	483772	0.14	X		X

DOTTED AREAS ARE NOT IN PRODUCTION AT TIME OF PRINTING.

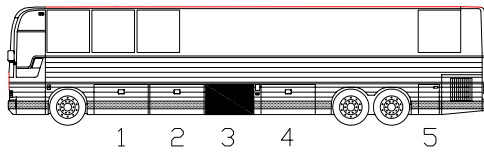
DATE: 04-07

REV.: B

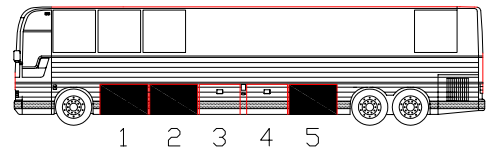
PREVOST Le Mirage XL



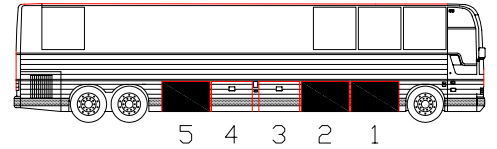
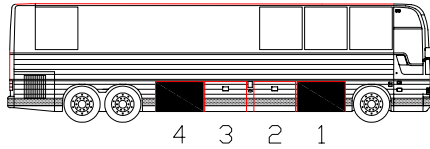
MTH. 40'



MTH. 45'



45' ENT.



53" BAGGAGE DOORS

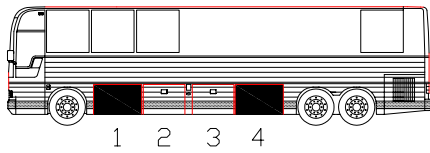
OPTION LIST	UPPER PANEL	LOWER PANEL	PERFORATED AREA F ²	INSULATION	SATIN BLEND SS	BRIGHT SS
482856	482840	481779	1.12	X	X	
482856	483834	483877	1.12	X		X
482861	482834	481880	1.30	X	X	
482861	483828	483878	1.30	X		X
482862	482840	481003	0.66	X	X	
482862	483834	483772	0.66	X		X
482863	482825	481911	1.54	X	X	
482863	483822	483879	1.54	X		X
482864	482833	481003	0.75	X	X	
482864	483771	483772	0.75	X		X
482873	482825	481003	0.91	X	X	
482873	483822	483772	0.91	X		X
482874	482832	481275	1.09	X	X	
482874	483827	483874	1.09	X		X
482875	482827	481003	0.75	X	X	
482875	483824	483772	0.75	X		X
482877	482876	482184	1.45		X	
482877	483839	483884	1.45			X
482883	482884	482287	2.60		X	
482883	483841	483886	2.60			X
482886	482833	481779	1.21	X	X	
482886	483771	483877	1.21	X		X

DOTTED AREAS ARE NOT IN PRODUCTION AT TIME OF PRINTING.

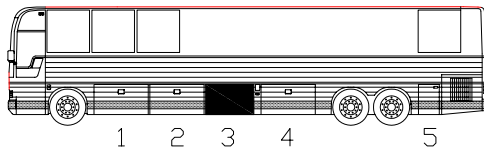
DATE: 04-07

REV.: B

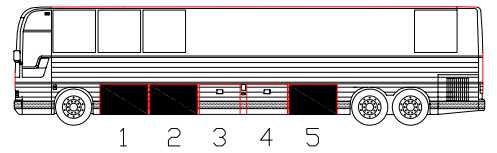
PREVOST *Le Mirage XL*



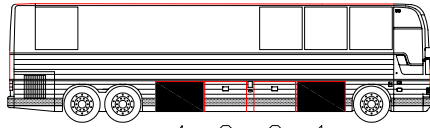
1 2 3 4



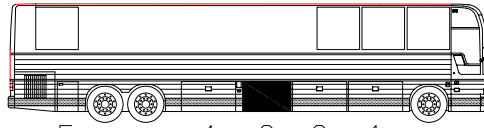
1 2 3 4 5



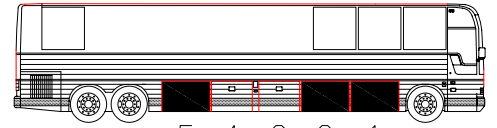
1 2 3 4 5



4 3 2 1
MTH. 40'



5 4 3 2 1
MTH. 45'



5 4 3 2 1
45' ENT.

53" BAGGAGE DOORS

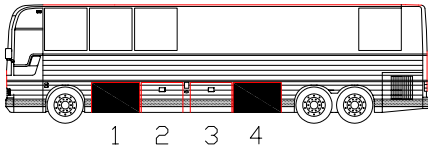
OPTION LIST	UPPER PANEL	LOWER PANEL	PERFORATED AREA F ²	INSULATION	SATIN BLEND SS	BRIGHT SS
482892	482891	481003	1.22		X	
482892	483843	483772	1.22			X
482895	482840	481275	1.75	X	X	
482895	483834	483874	1.75	X		X
482902	482827	481880	1.21		X	
482902	483824	483878	1.21			X
482906	482834	481275	1.93		X	
482906	483828	483874	1.93			X
482907	482832	473522	0.22	X	X	
482907	483827	483871	0.22	X		X
482908	482876	481003	0.82	X	X	
482908	483839	483772	0.82	X		X
482909	482884	481003	1.51		X	
482909	483841	483772	1.51			X
482911	482910	481003	0.28	X	X	
482911	483848	483772	0.28	X		X
482913	482914	481003	0.26	X	X	
482913	483850	483772	0.26	X		X
482915	482916	481003	1.22		X	
482915	483851	483772	1.22			X
482917	482918	481003	0.37		X	
482917	483852	483772	0.37			X

DOTTED AREAS ARE NOT IN PRODUCTION AT TIME OF PRINTING.

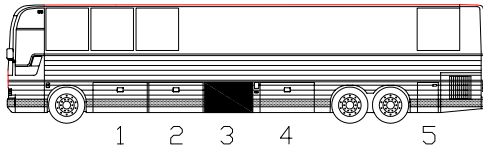
DATE: 04-07

REV.: B

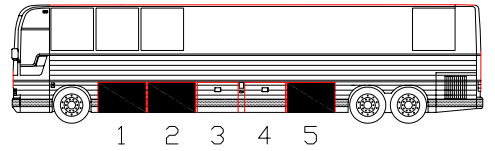
PREVOST® *Le Mirage XL*



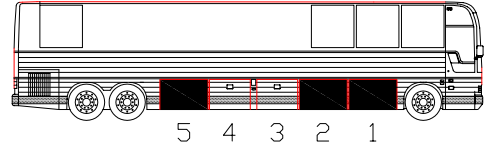
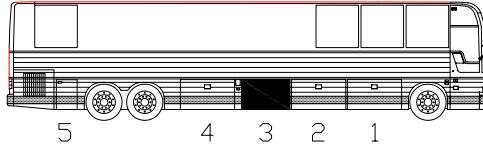
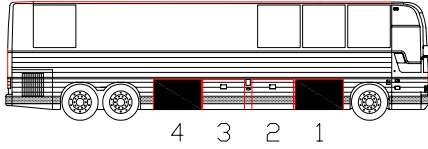
MTH. 40'



MTH. 45'



45' ENT.



53" BAGGAGE DOORS

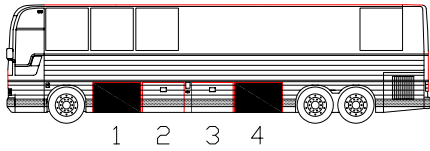
OPTION LIST	UPPER PANEL	LOWER PANEL	PERFORATED AREA F ²	INSULATION	SATIN BLEND SS	BRIGHT SS
482920	482884	481003	1.51		X	
482920	483841	483772	1.51			X
482922	482884	481275	2.60		X	
482922	483841	483874	2.60			X
482931	482834	481003	0.84		X	
482931	483828	483772	0.84			X
4753D2	N/A	473462	0.11		X	
4753E2	N/A	482680	1.16		X	

DOTTED AREAS ARE NOT IN PRODUCTION AT TIME OF PRINTING.

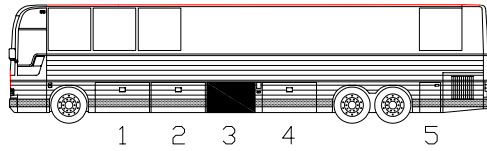
DATE: 04-07

REV.: B

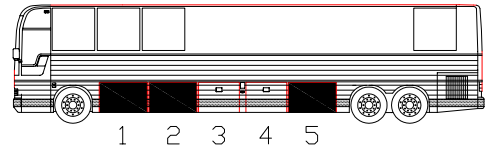
PREVOST *Le Mirage XL*



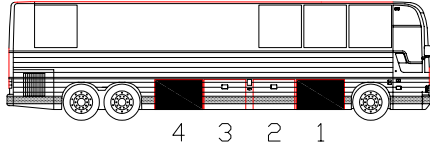
1 2 3 4



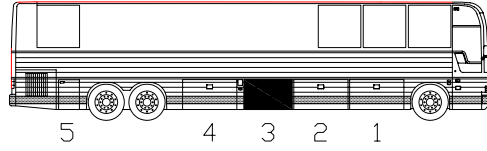
1 2 3 4 5



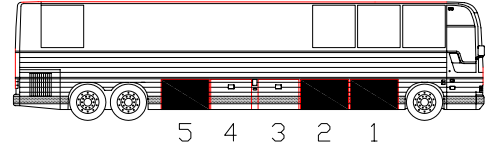
1 2 3 4 5



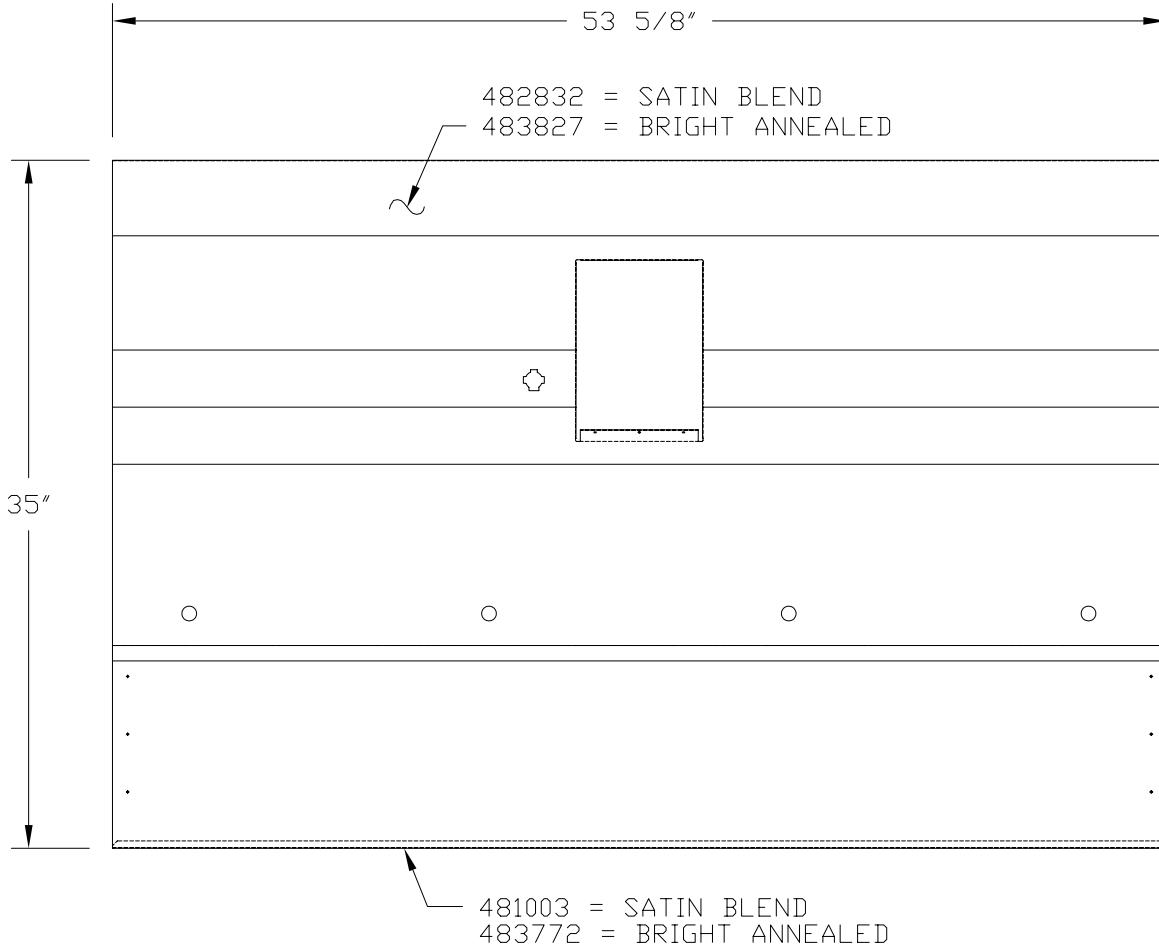
4 3 2 1
MTH. 40'



5 4 3 2 1
MTH. 45'



5 4 3 2 1
45' ENT.



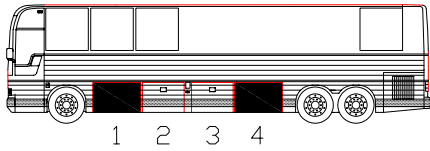
EXTERIOR VIEW

NOTE:

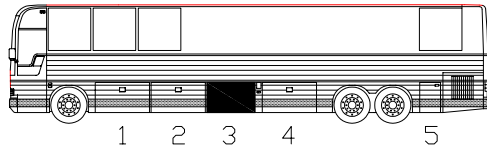
- LARGE LUGGAGE DOOR FOR MTH 40'
- SMALL LUGGAGE DOOR FOR MTH 45'
- LARGE LUGGAGE DOOR FOR 45' ENT.

TOTAL PERFORATED AREA: 0.00 f ²	EFF : Y-7046		DOOR ASSY ONLY IN SERVICE PART	N.A.
	PRIOR:			
DATE: 04-07	WITH INSULATION	X	OPTION LIST	482844
REV. : B	WITHOUT INSULATION			

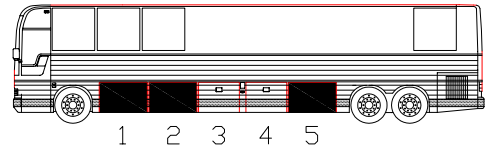
PREVOST Le Mirage XL



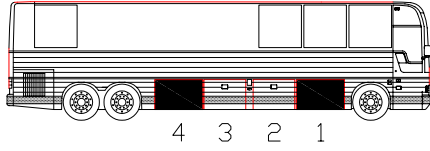
1 2 3 4



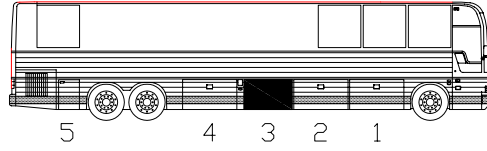
1 2 3 4 5



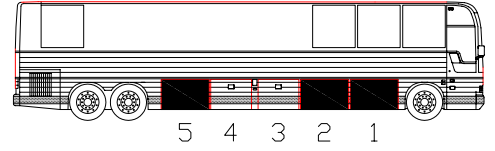
1 2 3 4 5



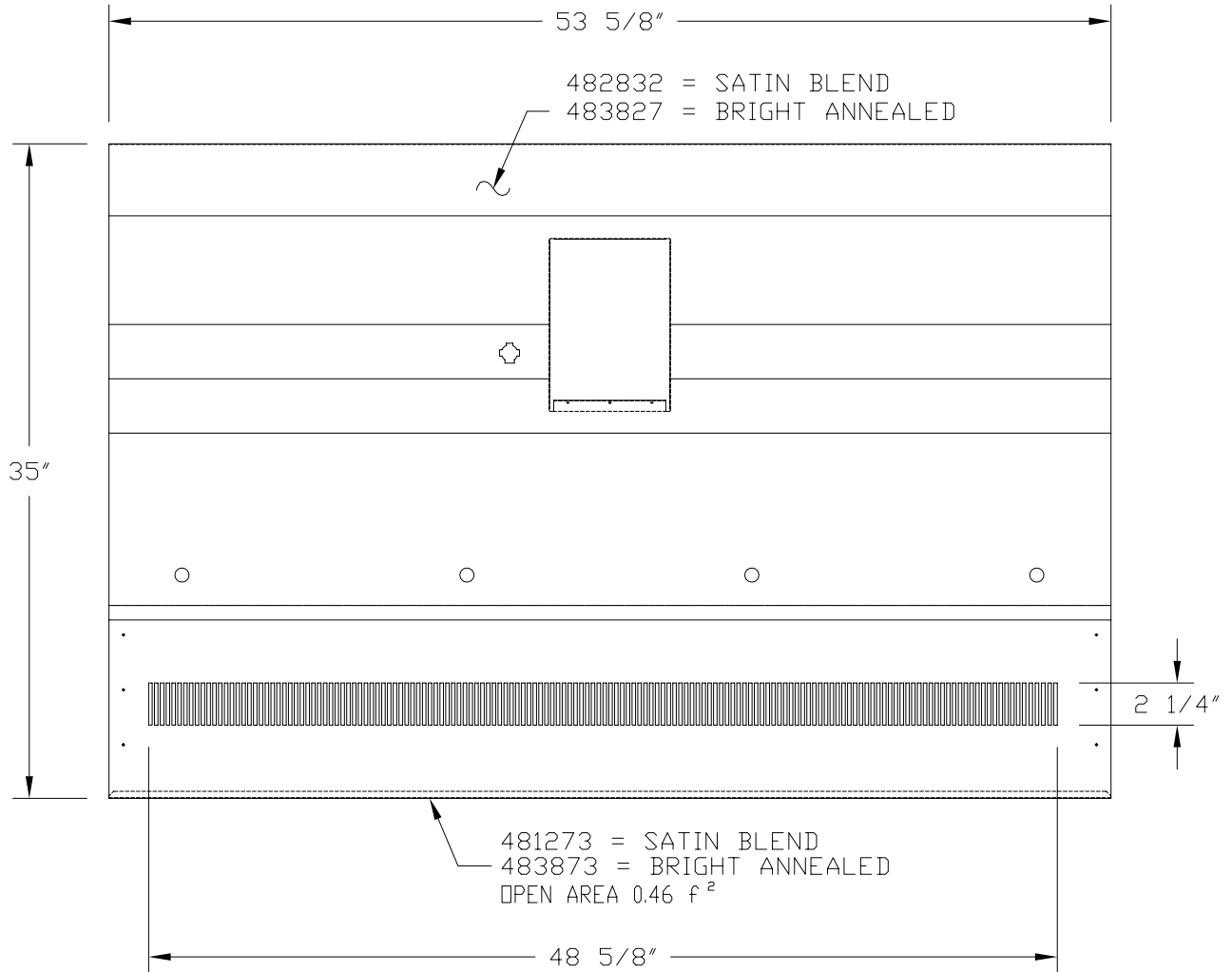
4 3 2 1
MTH. 40'



5 4 3 2 1
MTH. 45'



5 4 3 2 1
45' ENT.



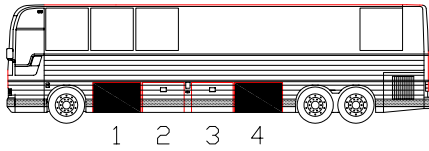
EXTERIOR VIEW

NOTE:

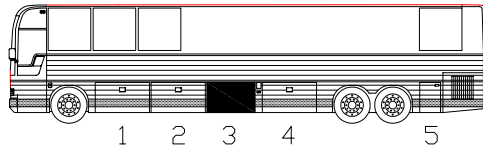
- LARGE LUGGAGE DOOR FOR MTH 40'
- SMALL LUGGAGE DOOR FOR MTH 45'
- LARGE LUGGAGE DOOR FOR 45' ENT.

TOTAL PERFORATED AREA: 0.46 f ²	EFF : Y-7046		DOOR ASSY ONLY IN SERVICE PART	N.A.
	PRIOR:			
DATE: 04-07	WITH INSULATION	X	OPTION LIST	482845
REV.: C	WITHOUT INSULATION			

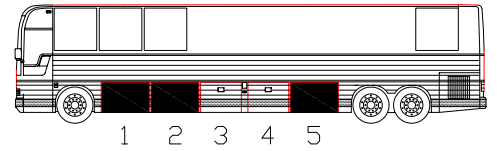
PREVOST Le Mirage XL



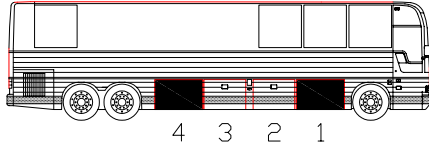
1 2 3 4



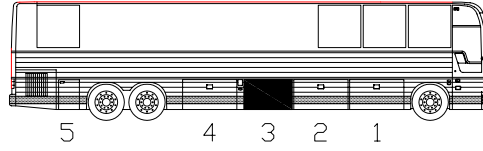
1 2 3 4 5



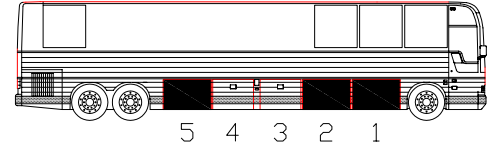
1 2 3 4 5



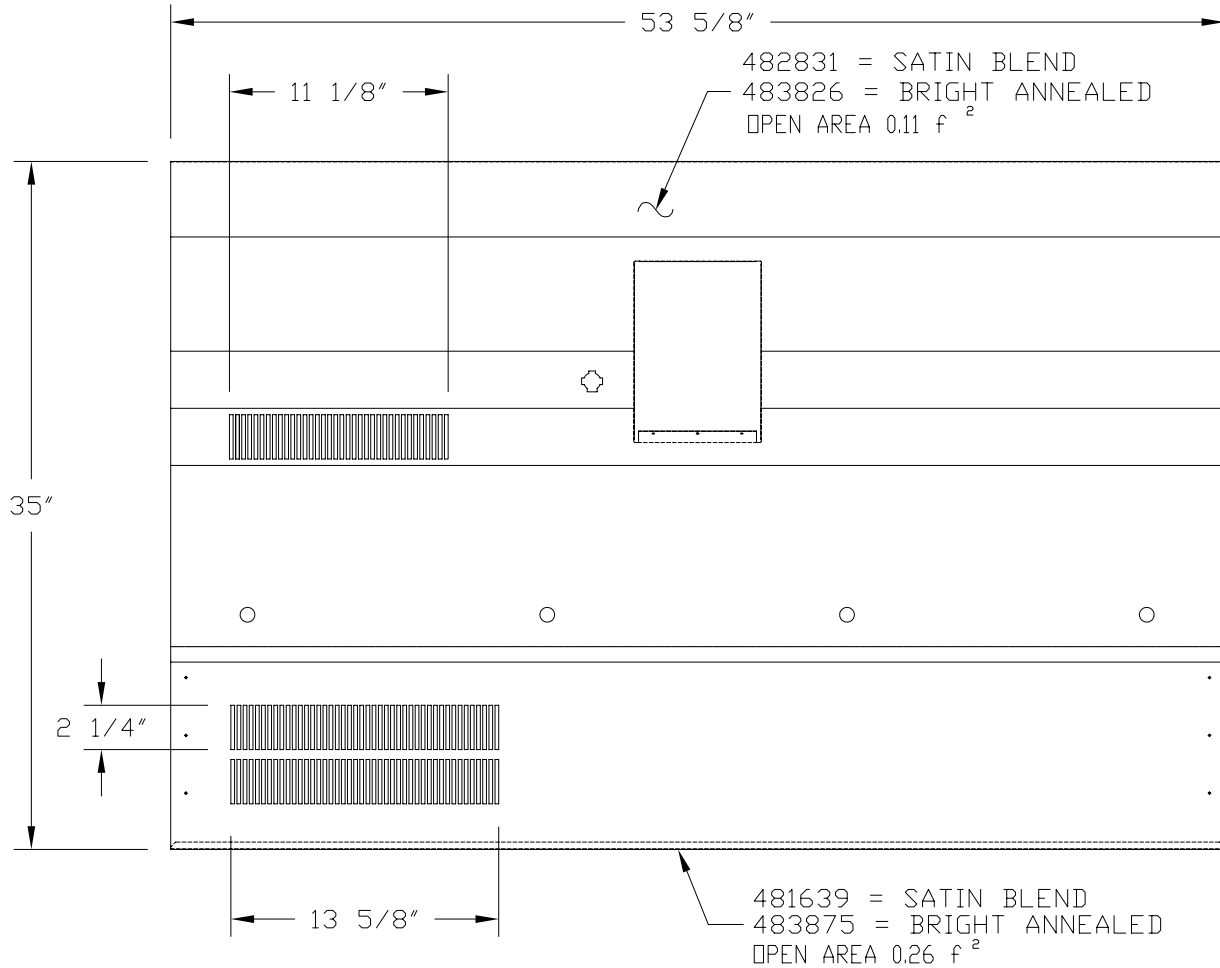
MTH. 40'



MTH. 45'



45' ENT.



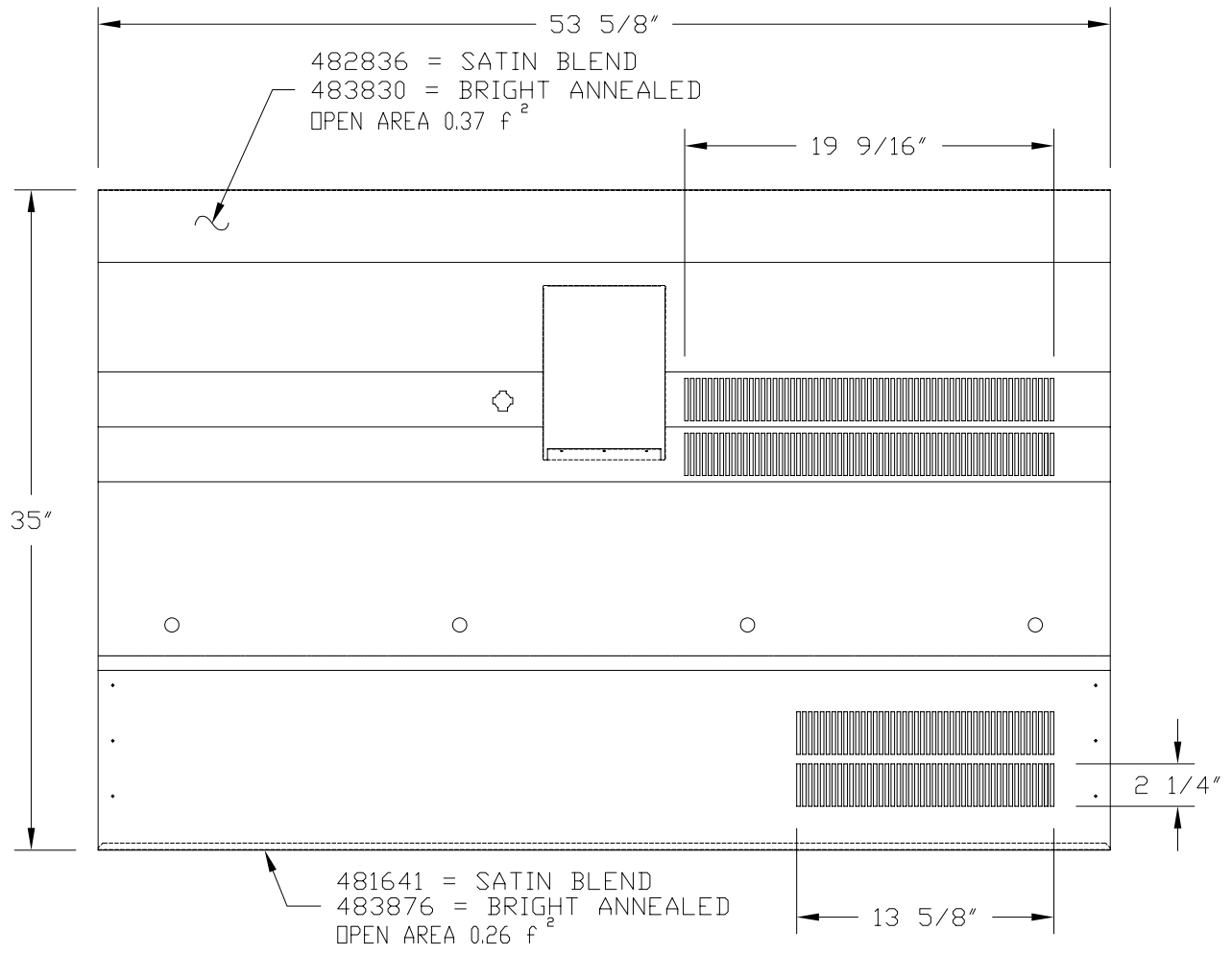
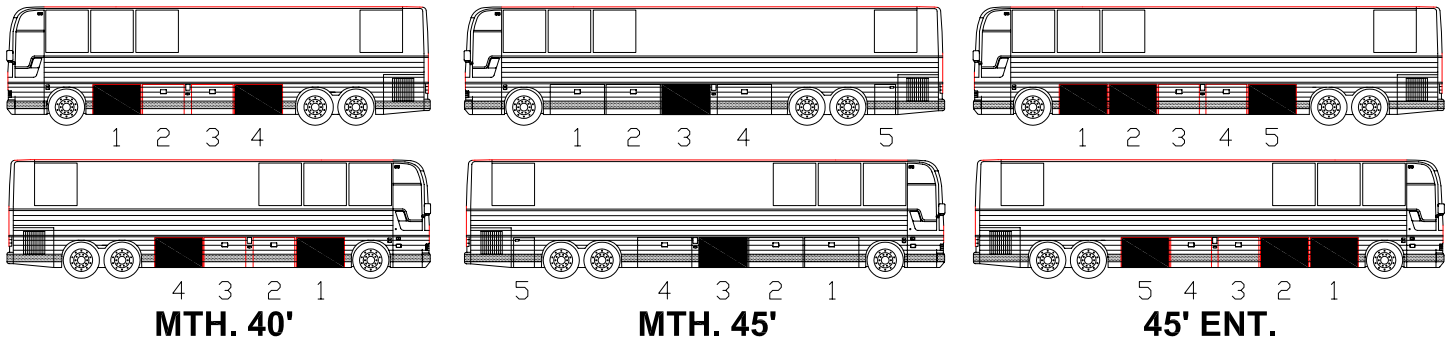
EXTERIOR VIEW

NOTE:

- LARGE LUGGAGE DOOR FOR MTH 40'
- SMALL LUGGAGE DOOR FOR MTH 45'
- LARGE LUGGAGE DOOR FOR 45' ENT.

TOTAL PERFORATED AREA: 0.37 f ²	EFF : Y-7046		DOOR ASSY ONLY IN SERVICE PART	N.A.
	PRIOR:			
DATE: 04-07	WITH INSULATION	X	OPTION LIST	482846
REV.: B	WITHOUT INSULATION			

PREVOST Le Mirage XL



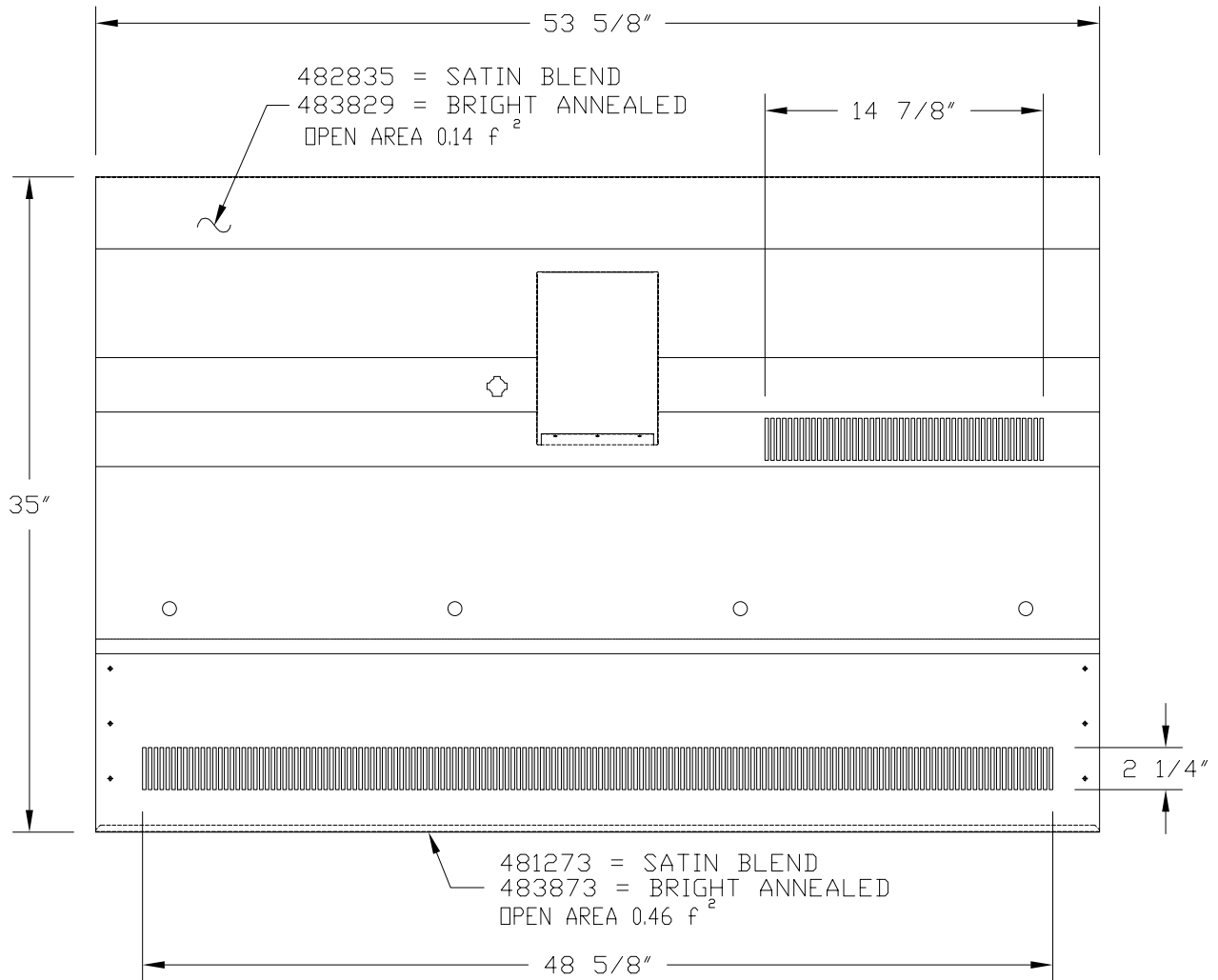
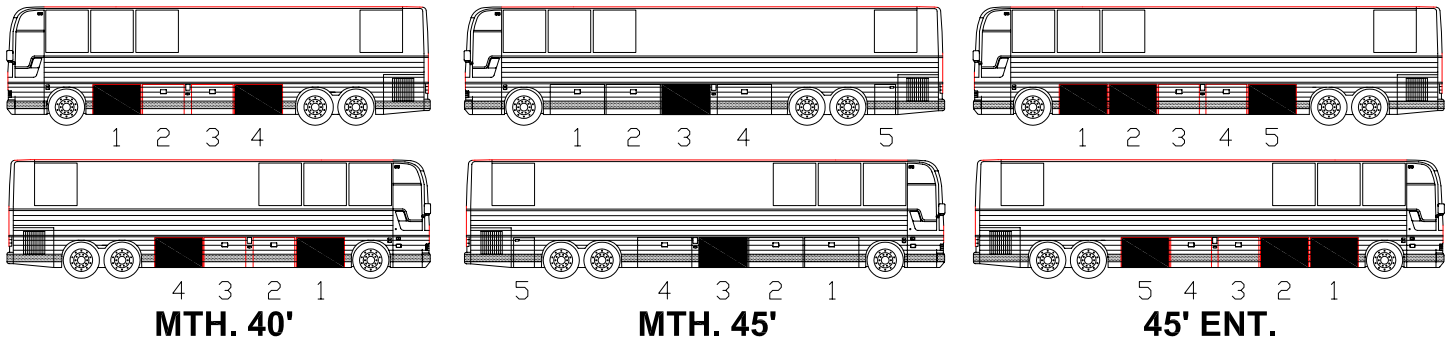
EXTERIOR VIEW

NOTE:

- LARGE LUGGAGE DOOR FOR MTH 40'
- SMALL LUGGAGE DOOR FOR MTH 45'
- LARGE LUGGAGE DOOR FOR 45' ENT.

TOTAL PERFORATED AREA: 0.63 f ²	EFF : Y-7046		DOOR ASSY ONLY IN SERVICE PART	N.A.
	PRIOR:			
DATE: 04-07	WITH INSULATION	X	OPTION LIST	482847
REV. : B	WITHOUT INSULATION			

PREVOST Le Mirage XL



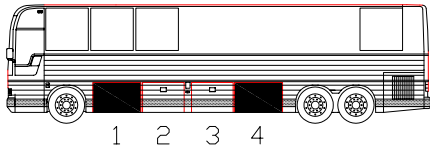
EXTERIOR VIEW

NOTE:

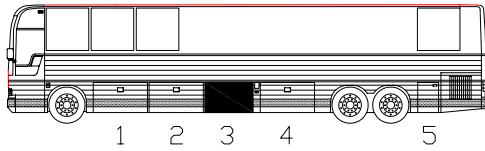
- LARGE LUGGAGE DOOR FOR MTH 40'
- SMALL LUGGAGE DOOR FOR MTH 45'
- LARGE LUGGAGE DOOR FOR 45' ENT.

TOTAL PERFORATED AREA: 0.60 f ²	EFF : Y-7046		DOOR ASSY ONLY IN SERVICE PART	N.A.
	PRIOR:			
DATE: 04-07	WITH INSULATION	X	OPTION LIST	482848
REV.: B	WITHOUT INSULATION			

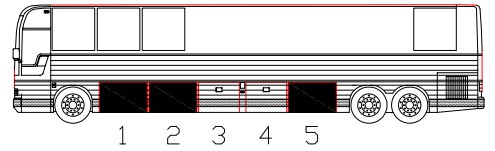
PREVOST Le Mirage XL



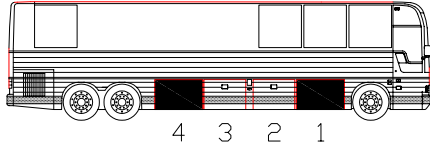
1 2 3 4



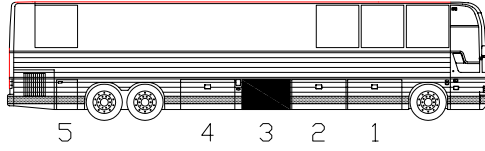
1 2 3 4 5



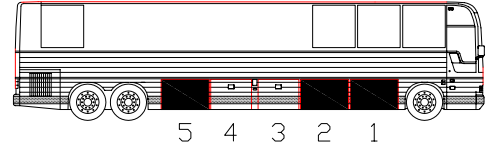
1 2 3 4 5



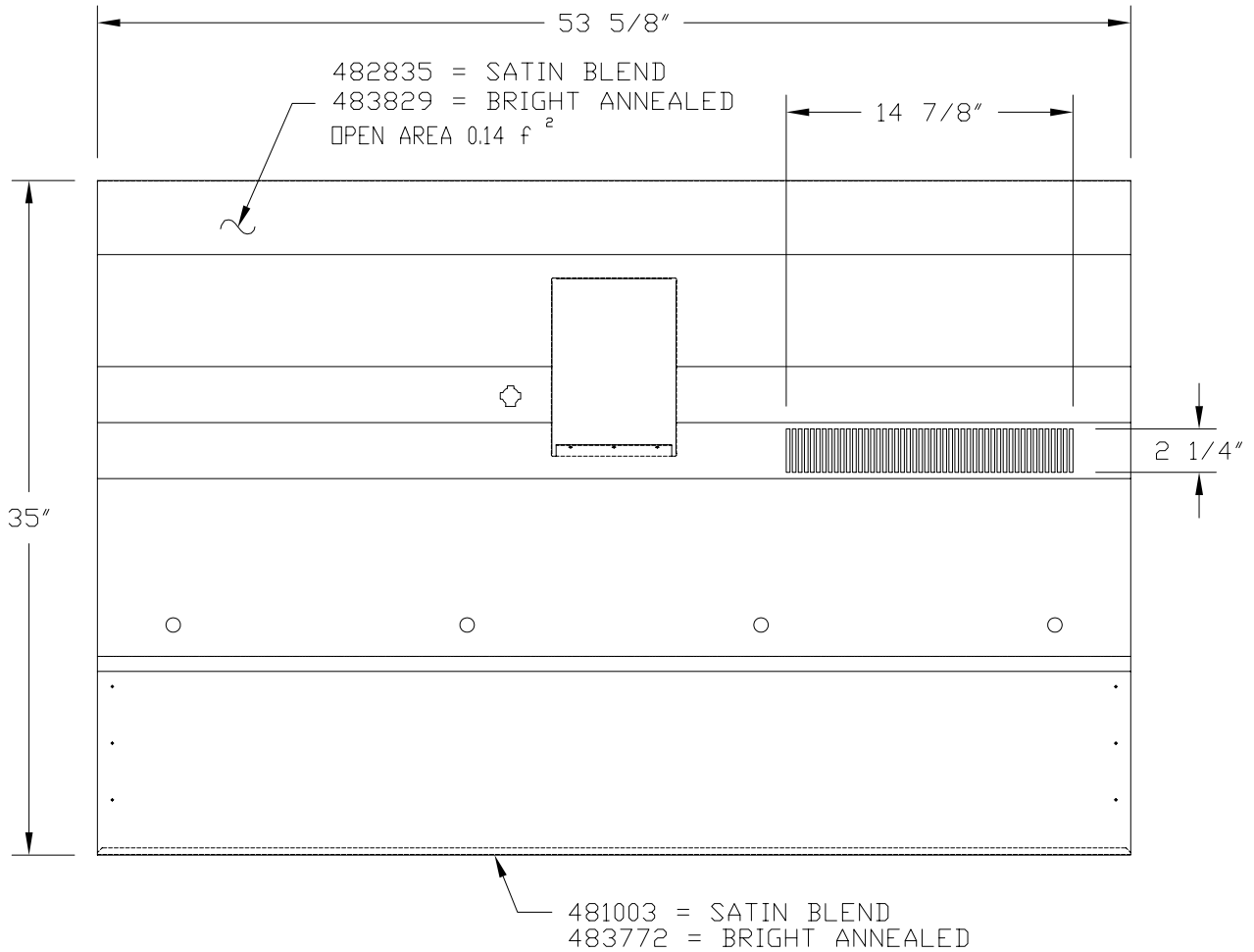
MTH. 40'



MTH. 45'



45' ENT.



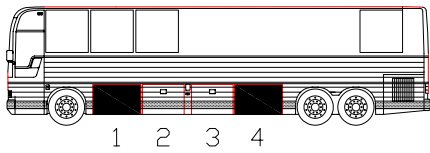
EXTERIOR VIEW

NOTE:

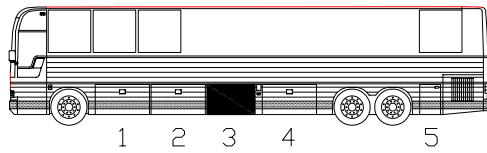
- LARGE LUGGAGE DOOR FOR MTH 40'
- SMALL LUGGAGE DOOR FOR MTH 45'
- LARGE LUGGAGE DOOR FOR 45' ENT.

TOTAL PERFORATED AREA: 0.14 f ²	EFF : Y-7046		DOOR ASSY ONLY IN SERVICE PART	N.A.
	PRIOR:			
DATE: 04-07	WITH INSULATION	X	OPTION LIST	482849
REV. : B	WITHOUT INSULATION			

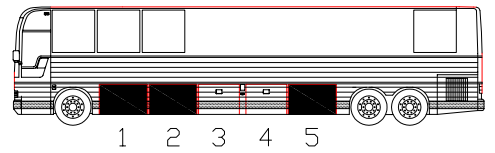
PREVOST Le Mirage XL



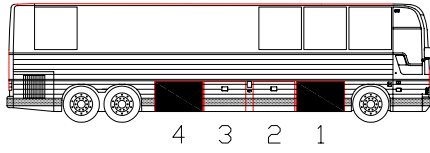
1 2 3 4



1 2 3 4 5



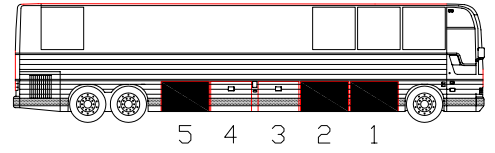
1 2 3 4 5



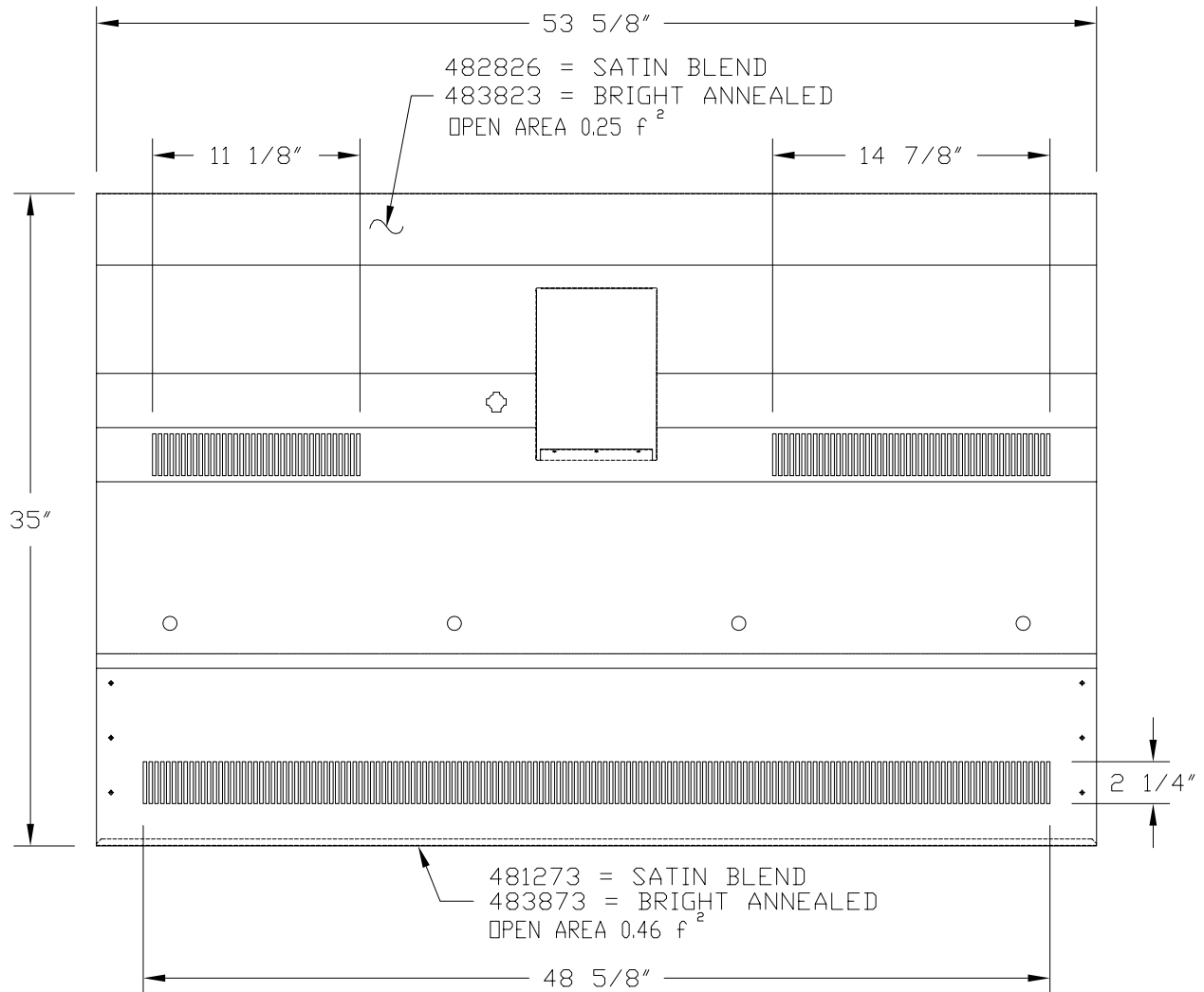
MTH. 40'



MTH. 45'



45' ENT.



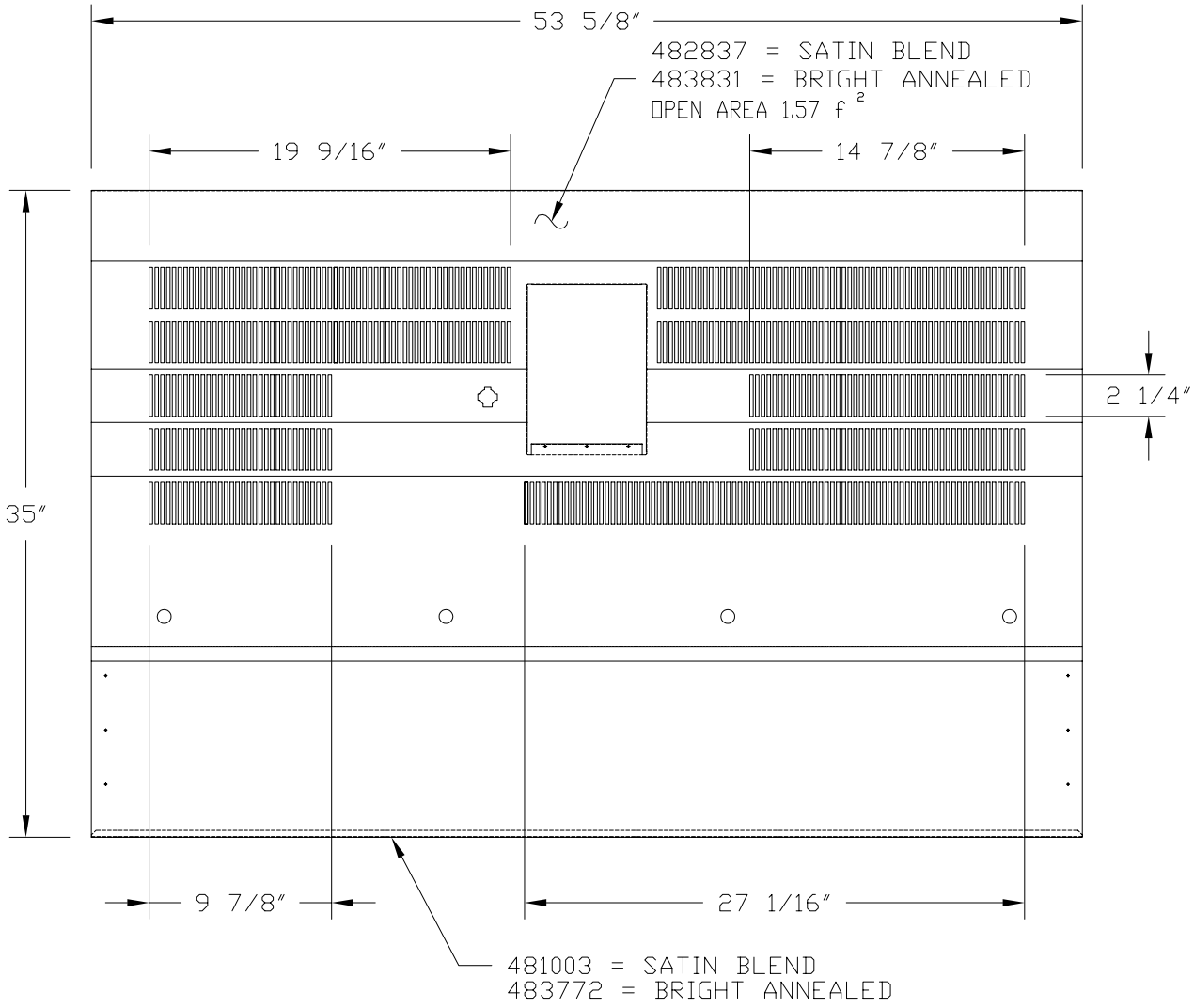
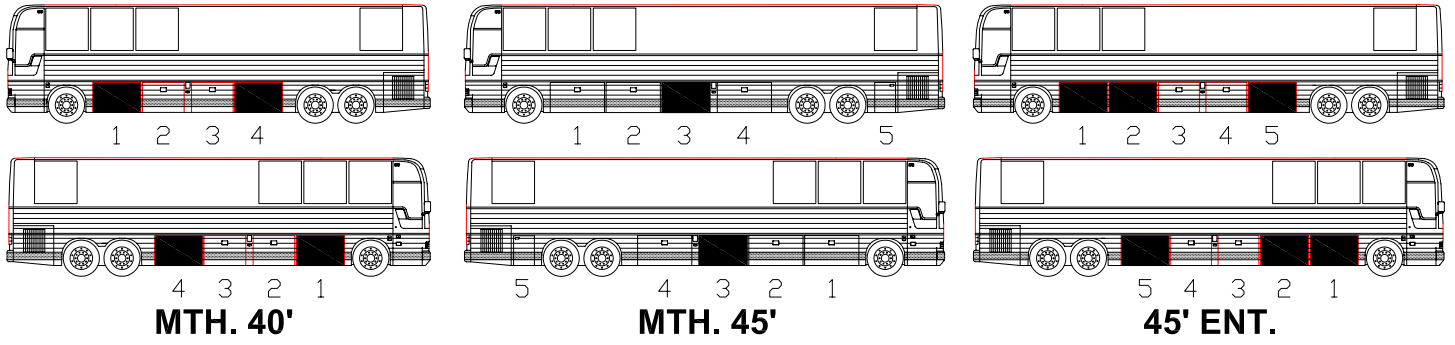
EXTERIOR VIEW

NOTE:

- LARGE LUGGAGE DOOR FOR MTH 40'
- SMALL LUGGAGE DOOR FOR MTH 45'
- LARGE LUGGAGE DOOR FOR 45' ENT.

TOTAL PERFORATED AREA: 0.71 f ²	EFF : Y-7046		DOOR ASSY ONLY IN SERVICE PART	N.A.
	PRIOR:			
DATE: 04-07	WITH INSULATION	X	OPTION LIST	482851
REV. : B	WITHOUT INSULATION			

PREVOST Le Mirage XL

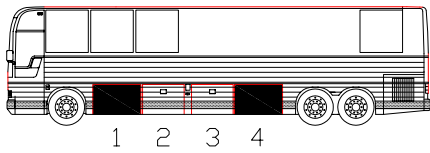


EXTERIOR VIEW

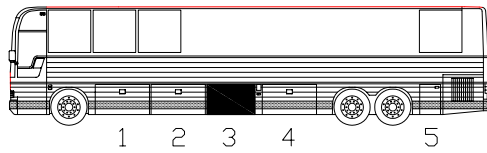
- NOTE:**
- LARGE LUGGAGE DOOR FOR MTH 40'
 - SMALL LUGGAGE DOOR FOR MTH 45'
 - LARGE LUGGAGE DOOR FOR 45' ENT.

TOTAL PERFORATED AREA: 1.57 f ²	EFF : Y-7046		DOOR ASSY ONLY IN SERVICE PART	N.A.
	PRIOR:			
DATE: 04-07	WITH INSULATION		OPTION LIST	482852
REV. : B	WITHOUT INSULATION	X		

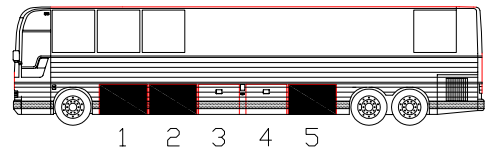
PREVOST Le Mirage XL



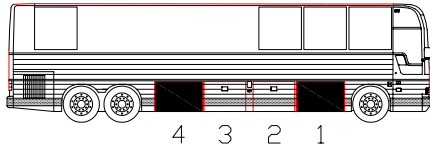
1 2 3 4



1 2 3 4 5



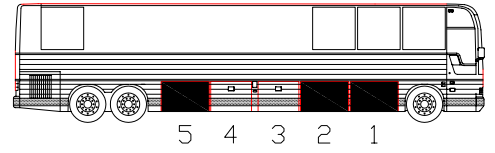
1 2 3 4 5



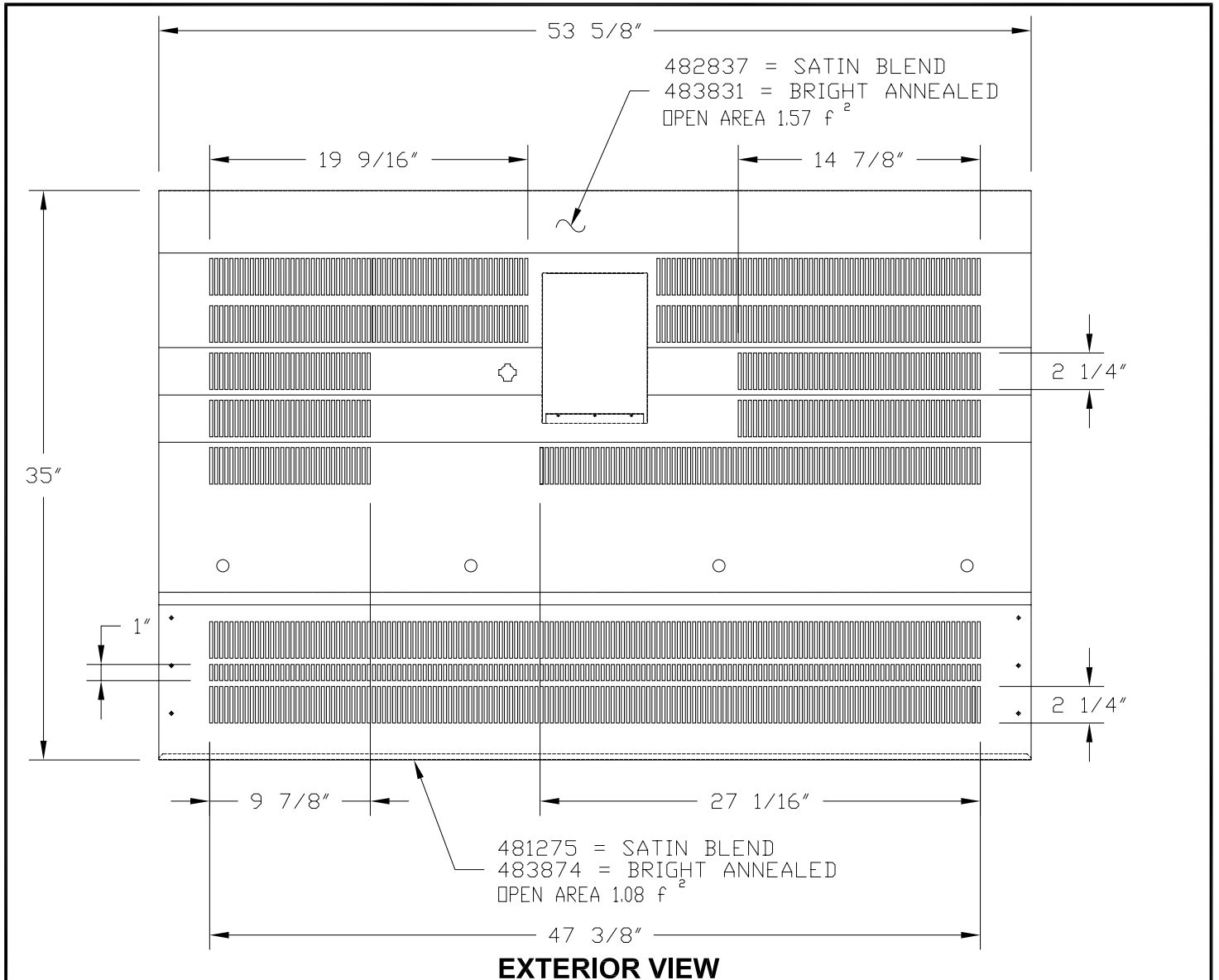
MTH. 40'



MTH. 45'



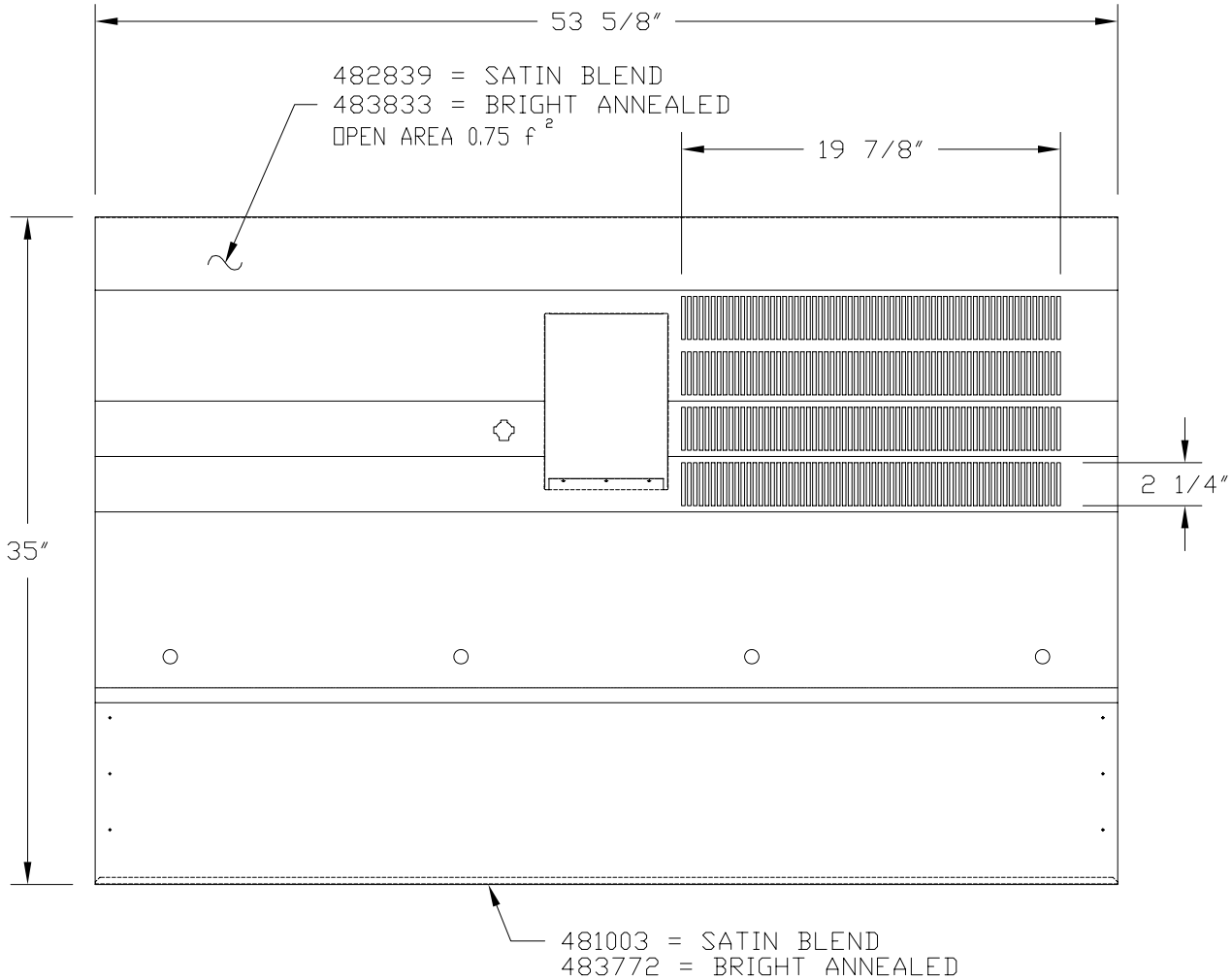
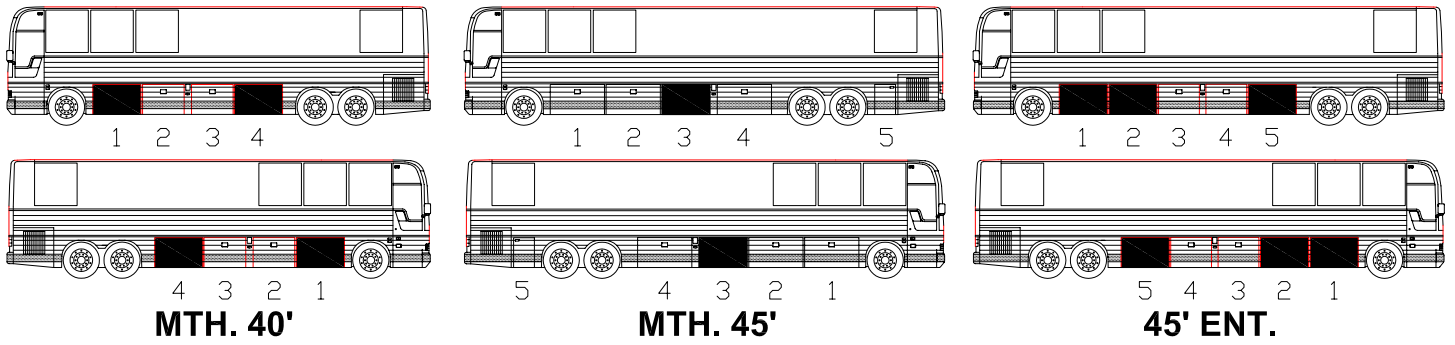
45' ENT.



NOTE:
 -LARGE LUGGAGE DOOR FOR MTH 40'
 -SMALL LUGGAGE DOOR FOR MTH 45'
 -LARGE LUGGAGE DOOR FOR 45' ENT.

TOTAL PERFORATED AREA: 2.65 f ²	EFF : Y-7046		DOOR ASSY ONLY IN SERVICE PART	N.A.
	PRIOR:			
DATE: 04-07	WITH INSULATION		OPTION LIST	482853
REV. : B	WITHOUT INSULATION	X		

PREVOST Le Mirage XL



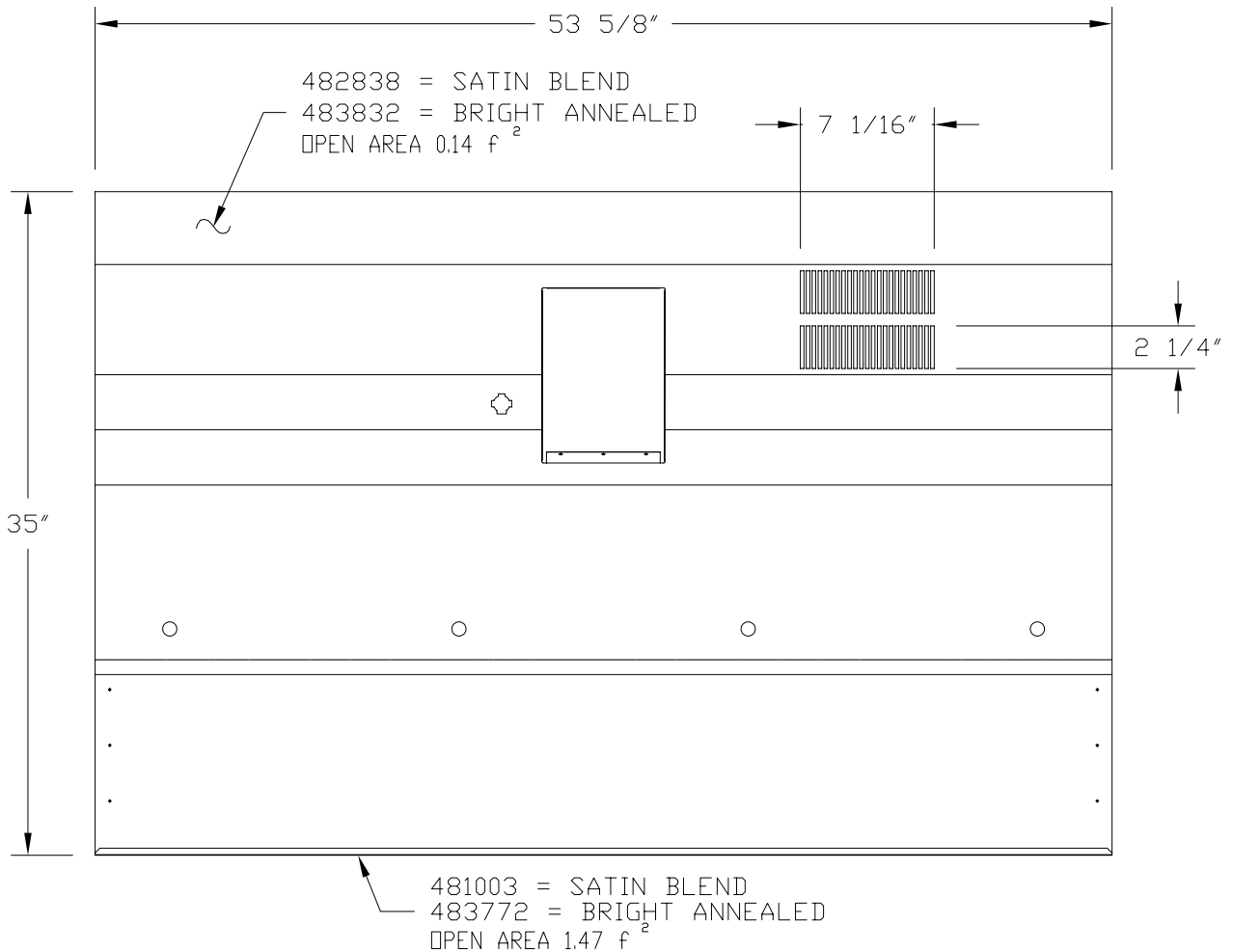
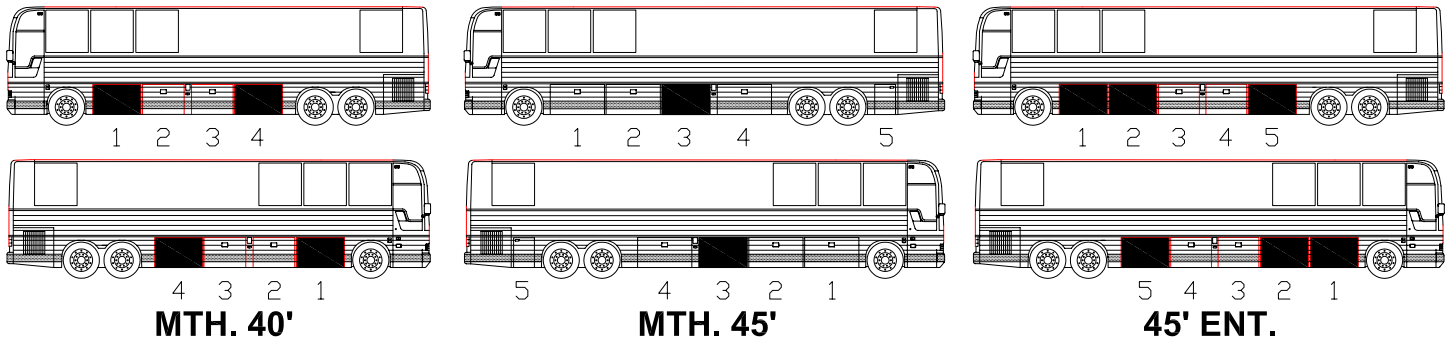
EXTERIOR VIEW

NOTE:

- LARGE LUGGAGE DOOR FOR MTH 40'
- SMALL LUGGAGE DOOR FOR MTH 45'
- LARGE LUGGAGE DOOR FOR 45' ENT.

TOTAL PERFORATED AREA: 0.75 f ²	EFF : Y-7046		DOOR ASSY ONLY IN SERVICE PART	N.A.
	PRIOR:			
DATE: 04-07	WITH INSULATION	X	OPTION LIST	482854
REV. : B	WITHOUT INSULATION			

PREVOST Le Mirage XL



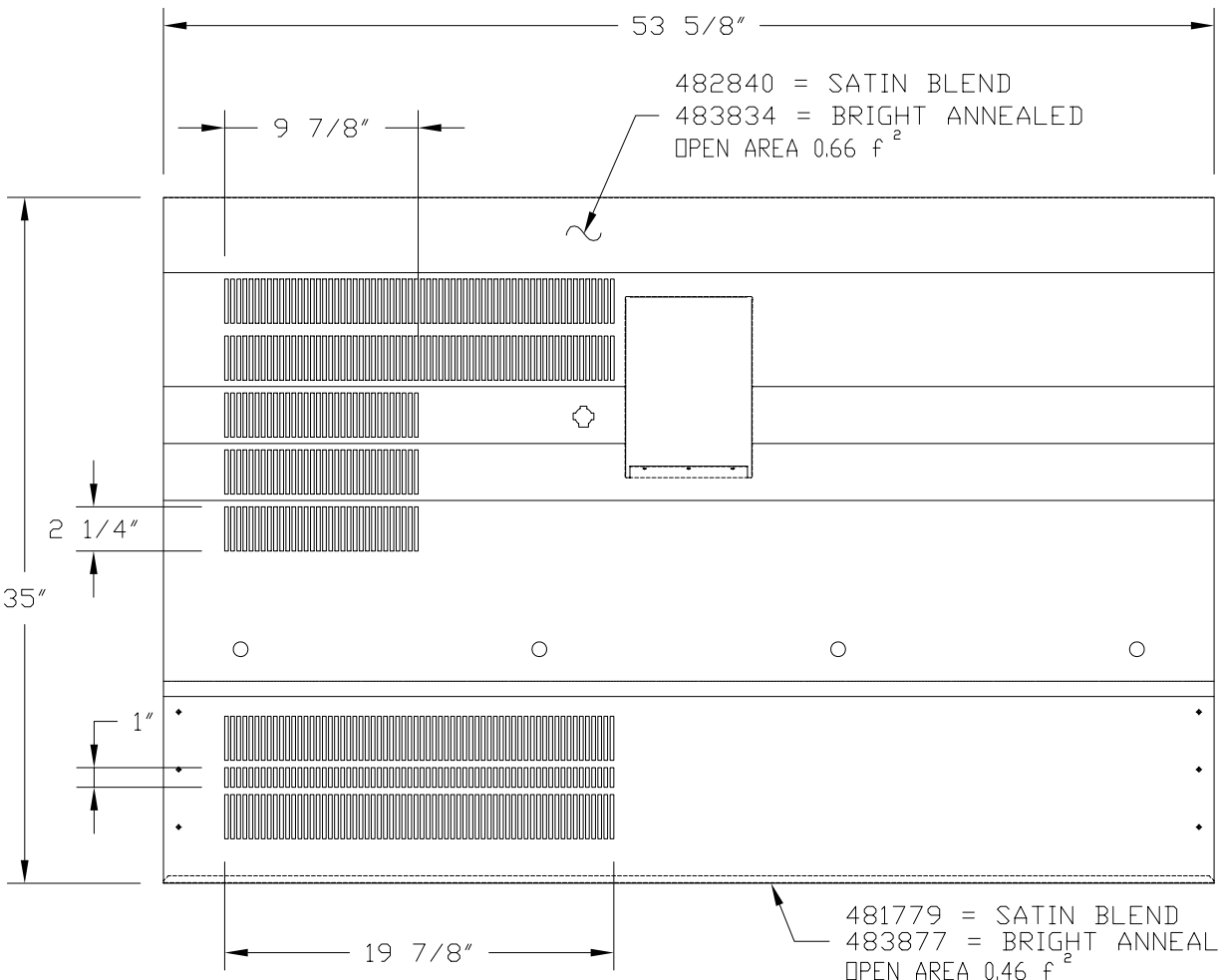
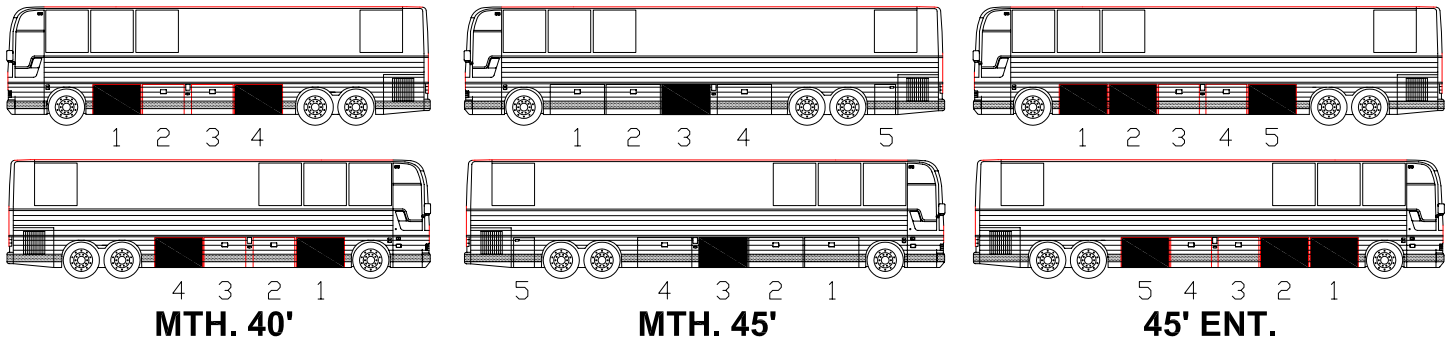
EXTERIOR VIEW

NOTE:

- LARGE LUGGAGE DOOR FOR MTH 40'
- SMALL LUGGAGE DOOR FOR MTH 45'
- LARGE LUGGAGE DOOR FOR 45' ENT.

TOTAL PERFORATED AREA: 0.14 f ²	EFF : Y-7046		DOOR ASSY ONLY IN SERVICE PART	N.A.
	PRIOR:			
DATE: 04-07	WITH INSULATION	X	OPTION LIST	482855
REV. : B	WITHOUT INSULATION			

PREVOST Le Mirage XL

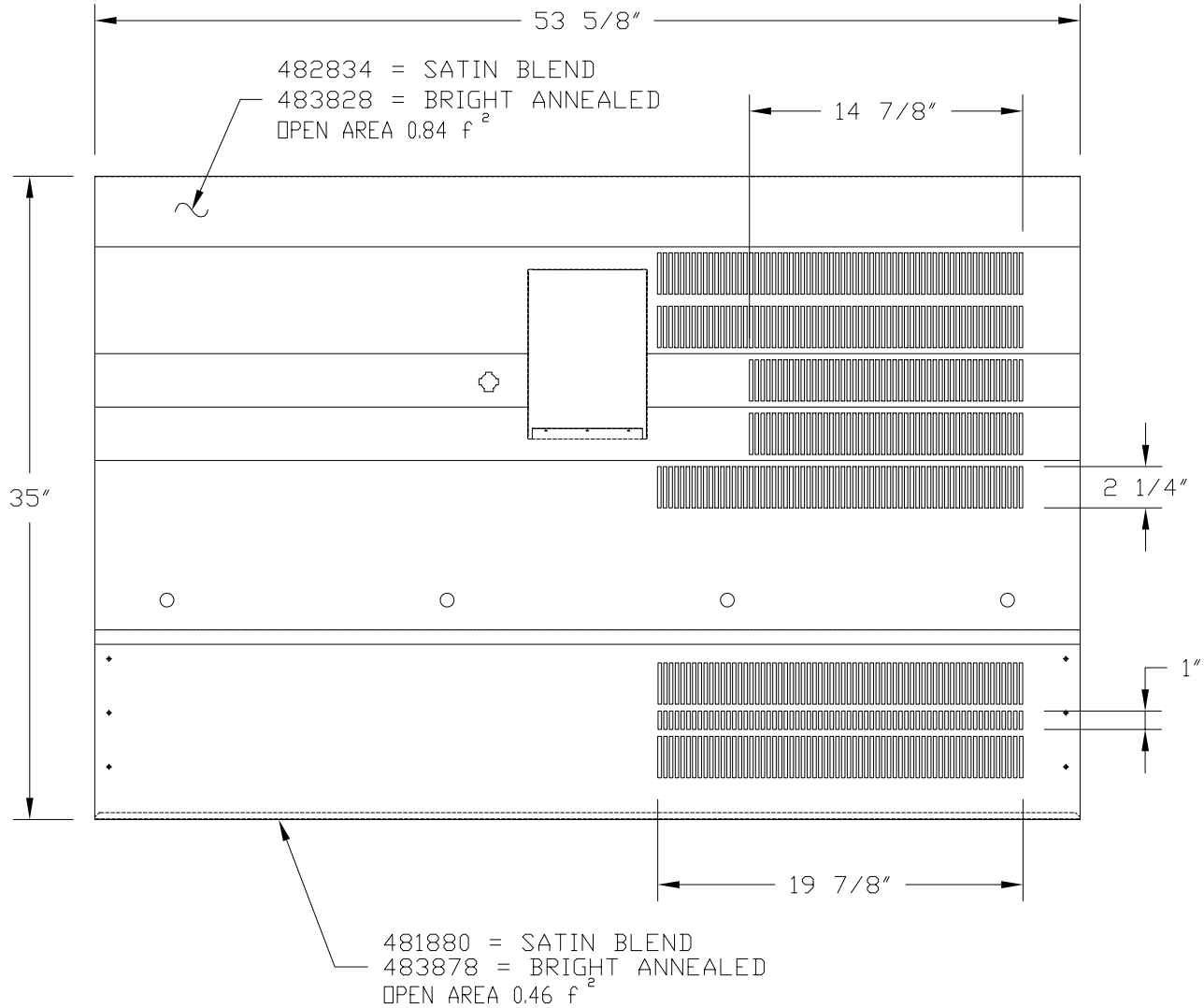
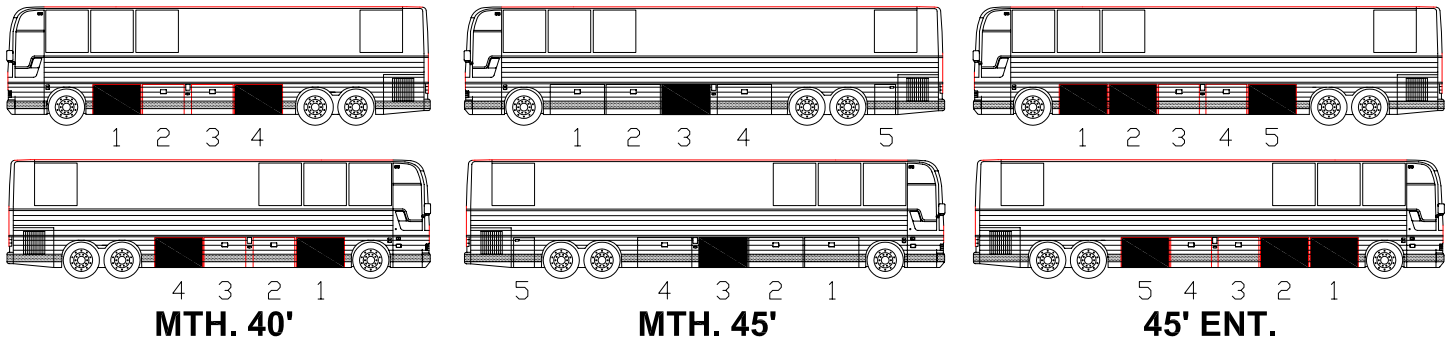


EXTERIOR VIEW

- NOTE:**
- LARGE LUGGAGE DOOR FOR MTH 40'
 - SMALL LUGGAGE DOOR FOR MTH 45'
 - LARGE LUGGAGE DOOR FOR 45' ENT.

TOTAL PERFORATED AREA: 1.12 f ²	EFF : Y-7046		DOOR ASSY ONLY IN SERVICE PART	N.A.
	PRIOR:			
DATE: 04-07	WITH INSULATION	X	OPTION LIST	482856
REV. : B	WITHOUT INSULATION			

PREVOST Le Mirage XL



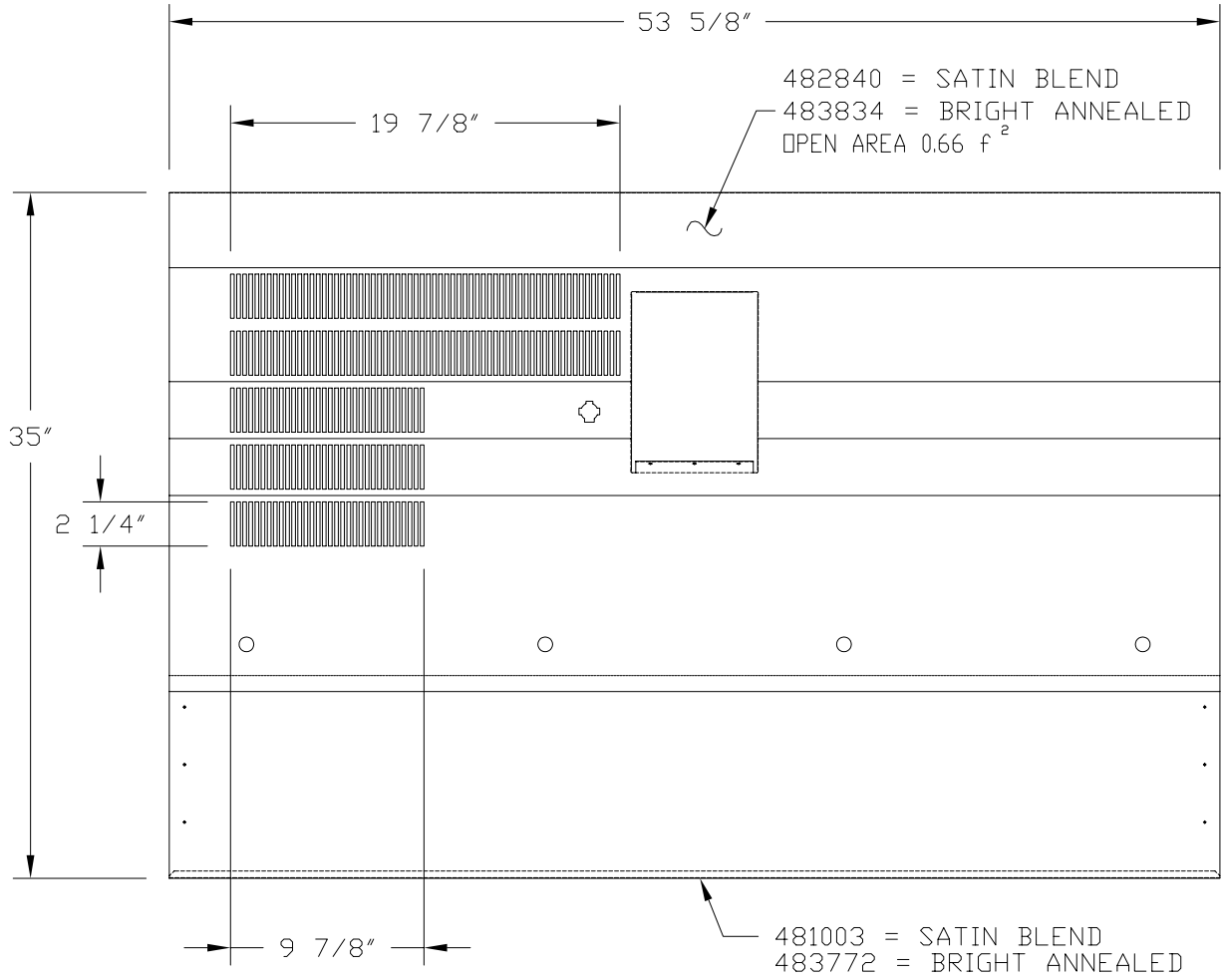
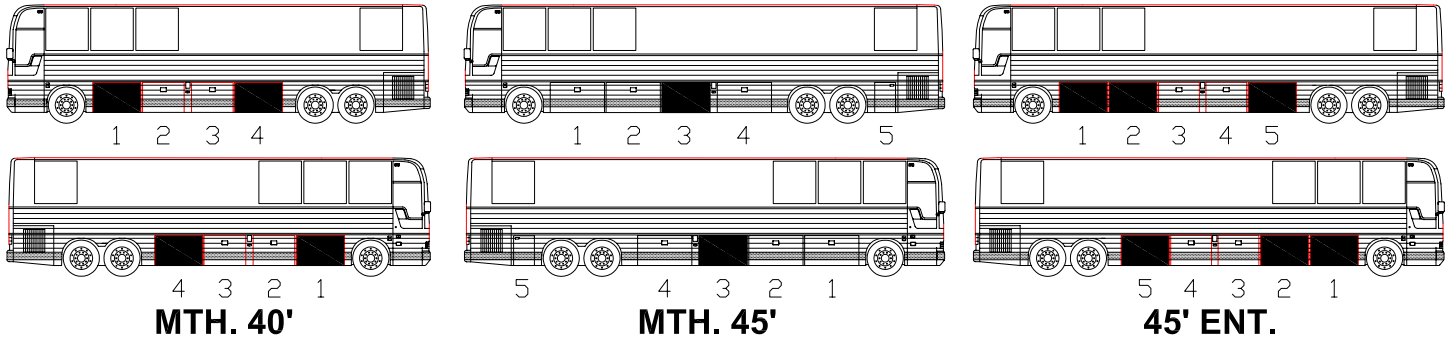
EXTERIOR VIEW

NOTE:

- LARGE LUGGAGE DOOR FOR MTH 40'
- SMALL LUGGAGE DOOR FOR MTH 45'
- LARGE LUGGAGE DOOR FOR 45' ENT.

TOTAL PERFORATED AREA: 1.30 f ²	EFF : Y-7046		DOOR ASSY ONLY IN SERVICE PART	N.A.
	PRIOR:			
DATE: 04-07	WITH INSULATION	X	OPTION LIST	482861
REV.: B	WITHOUT INSULATION			

PREVOST Le Mirage XL

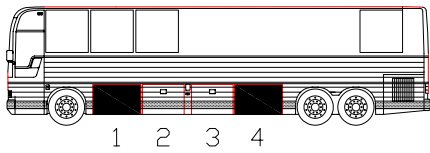


EXTERIOR VIEW

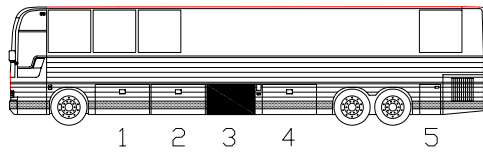
- NOTE:**
- LARGE LUGGAGE DOOR FOR MTH 40'
 - SMALL LUGGAGE DOOR FOR MTH 45'
 - LARGE LUGGAGE DOOR FOR 45' ENT.

TOTAL PERFORATED AREA: 0.66 f ²	EFF : Y-7046		DOOR ASSY ONLY IN SERVICE PART	N.A.
	PRIOR:			
DATE: 04-07	WITH INSULATION	X	OPTION LIST	482862
REV. : B	WITHOUT INSULATION			

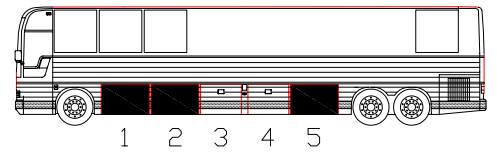
PREVOST Le Mirage XL



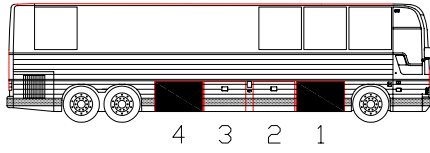
1 2 3 4



1 2 3 4 5



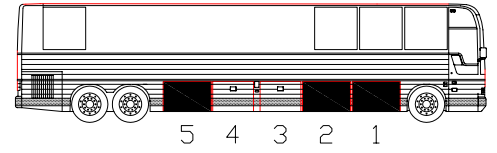
1 2 3 4 5



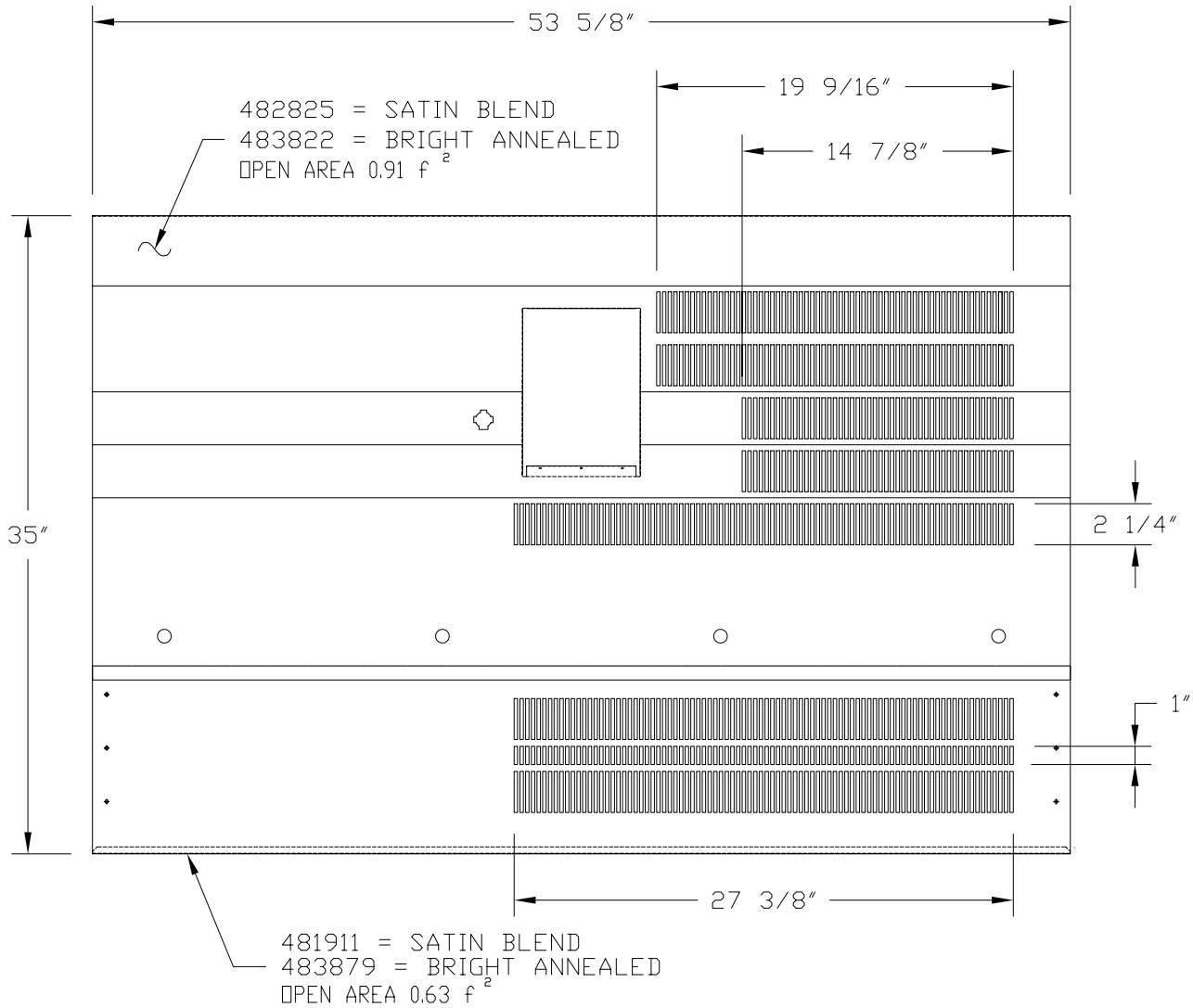
MTH. 40'



MTH. 45'



45' ENT.



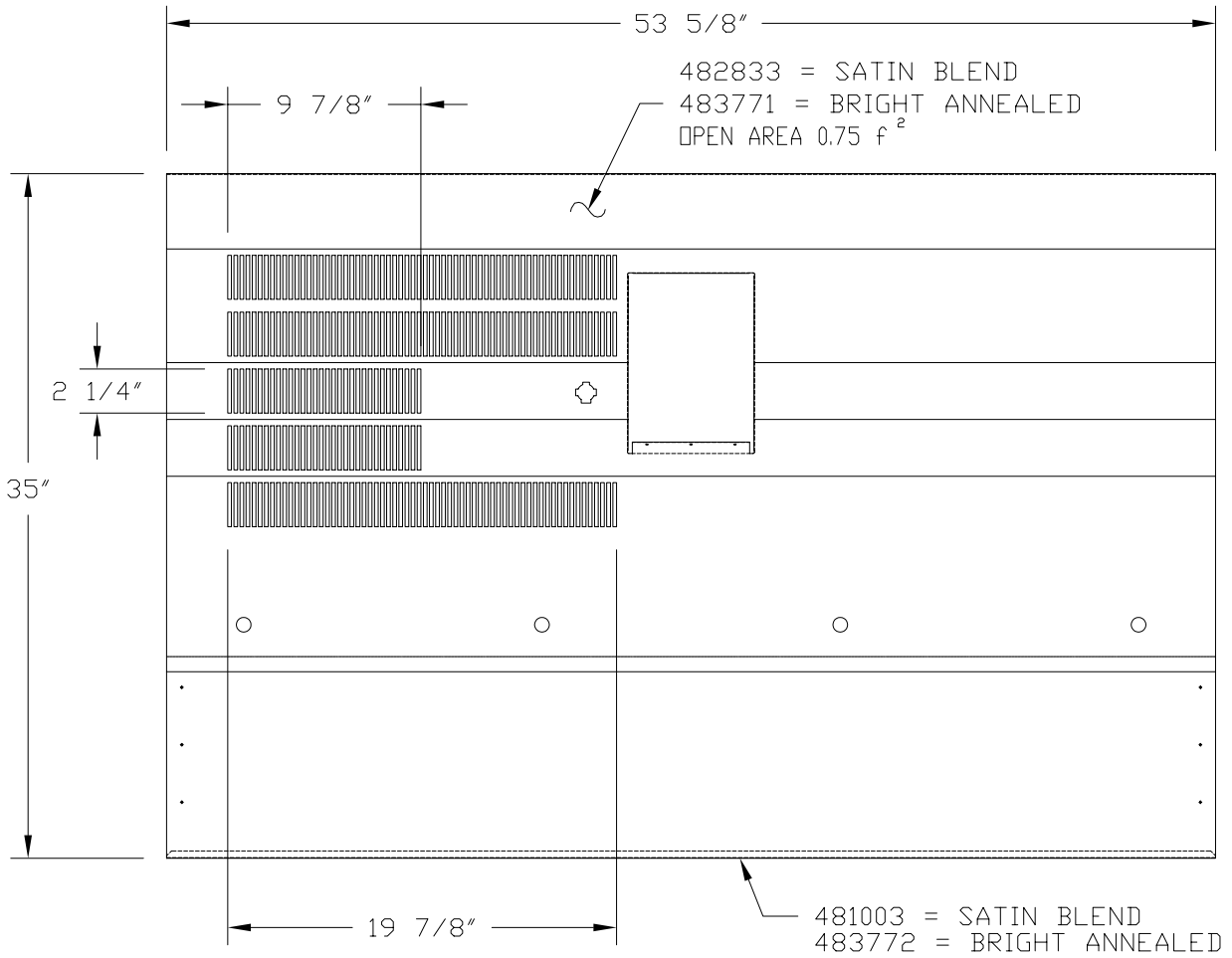
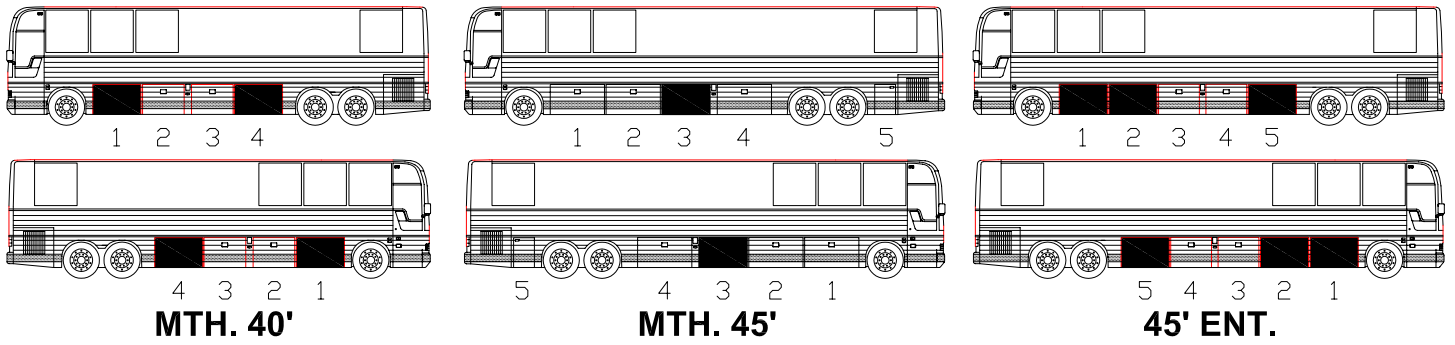
EXTERIOR VIEW

NOTE:

- LARGE LUGGAGE DOOR FOR MTH 40'
- SMALL LUGGAGE DOOR FOR MTH 45'
- LARGE LUGGAGE DOOR FOR 45' ENT.

TOTAL PERFORATED AREA: 1.54 f ²	EFF : Y-7046		DOOR ASSY ONLY IN SERVICE PART	N.A.
	PRIOR:			
DATE: 04-07	WITH INSULATION	X	OPTION LIST	482863
REV.: B	WITHOUT INSULATION			

PREVOST Le Mirage XL



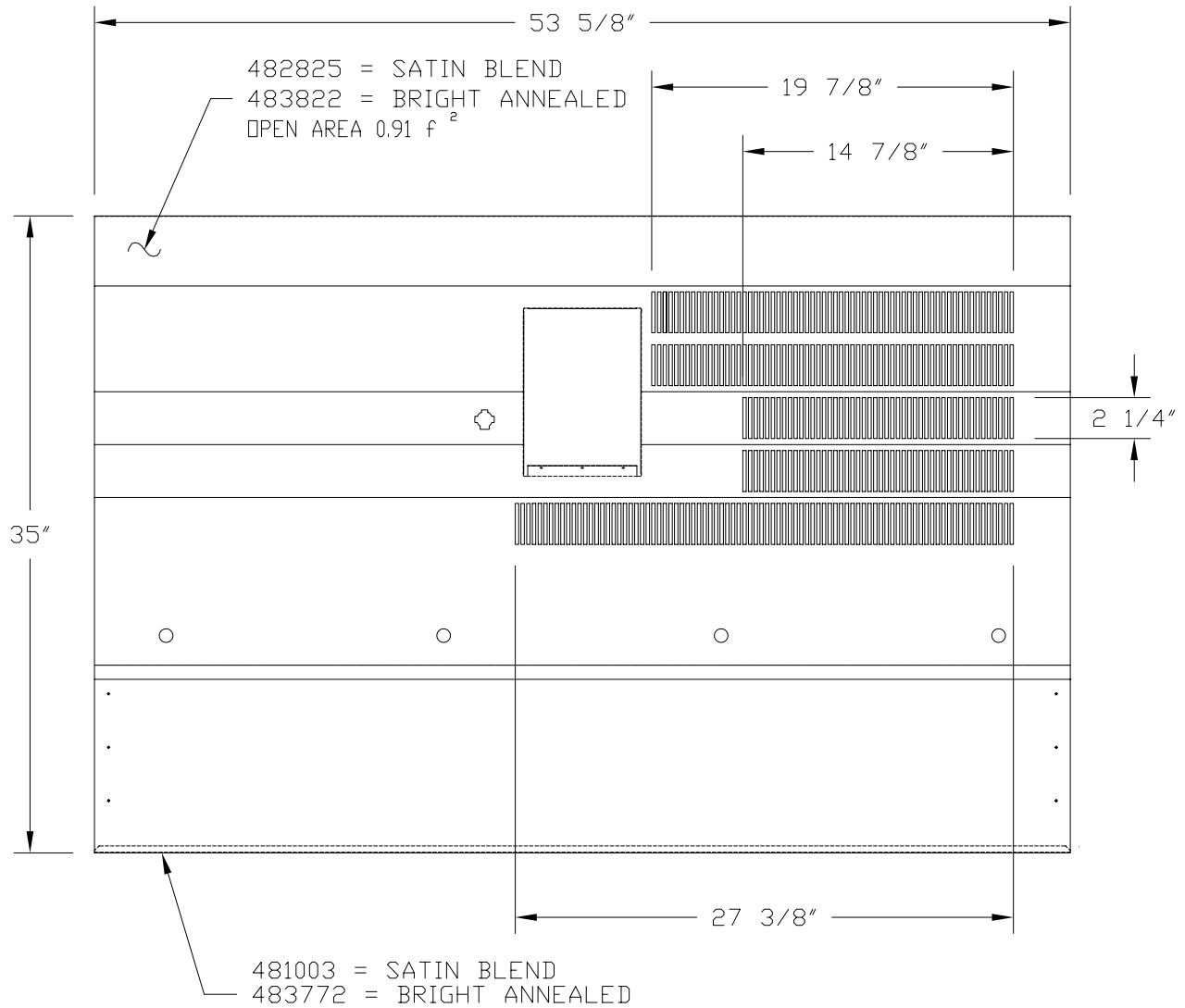
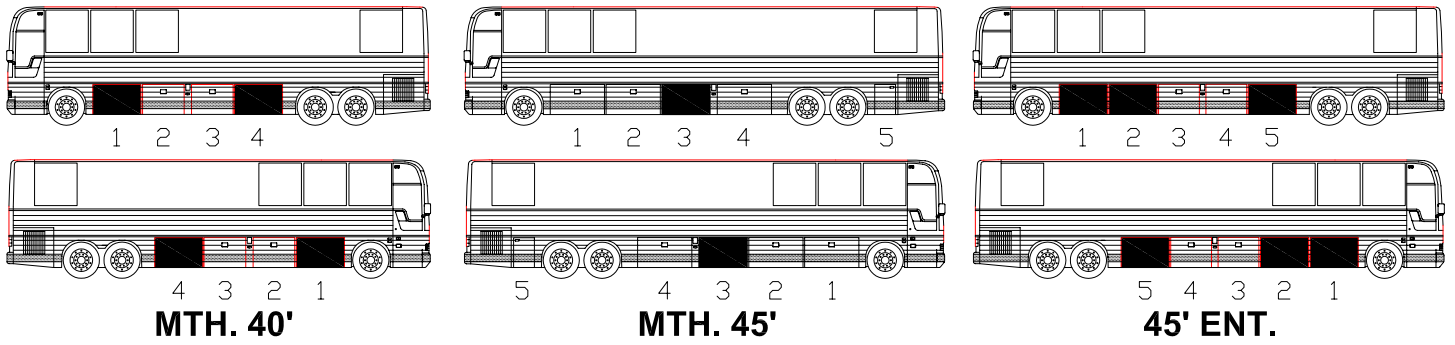
EXTERIOR VIEW

NOTE:

- LARGE LUGGAGE DOOR FOR MTH 40'
- SMALL LUGGAGE DOOR FOR MTH 45'
- LARGE LUGGAGE DOOR FOR 45' ENT.

TOTAL PERFORATED AREA: 0.75 f ²	EFF : Y-7046		DOOR ASSY ONLY IN SERVICE PART	N.A.
	PRIOR:			
DATE: 04-07	WITH INSULATION	X	OPTION LIST	482864
REV. : B	WITHOUT INSULATION			

PREVOST Le Mirage XL



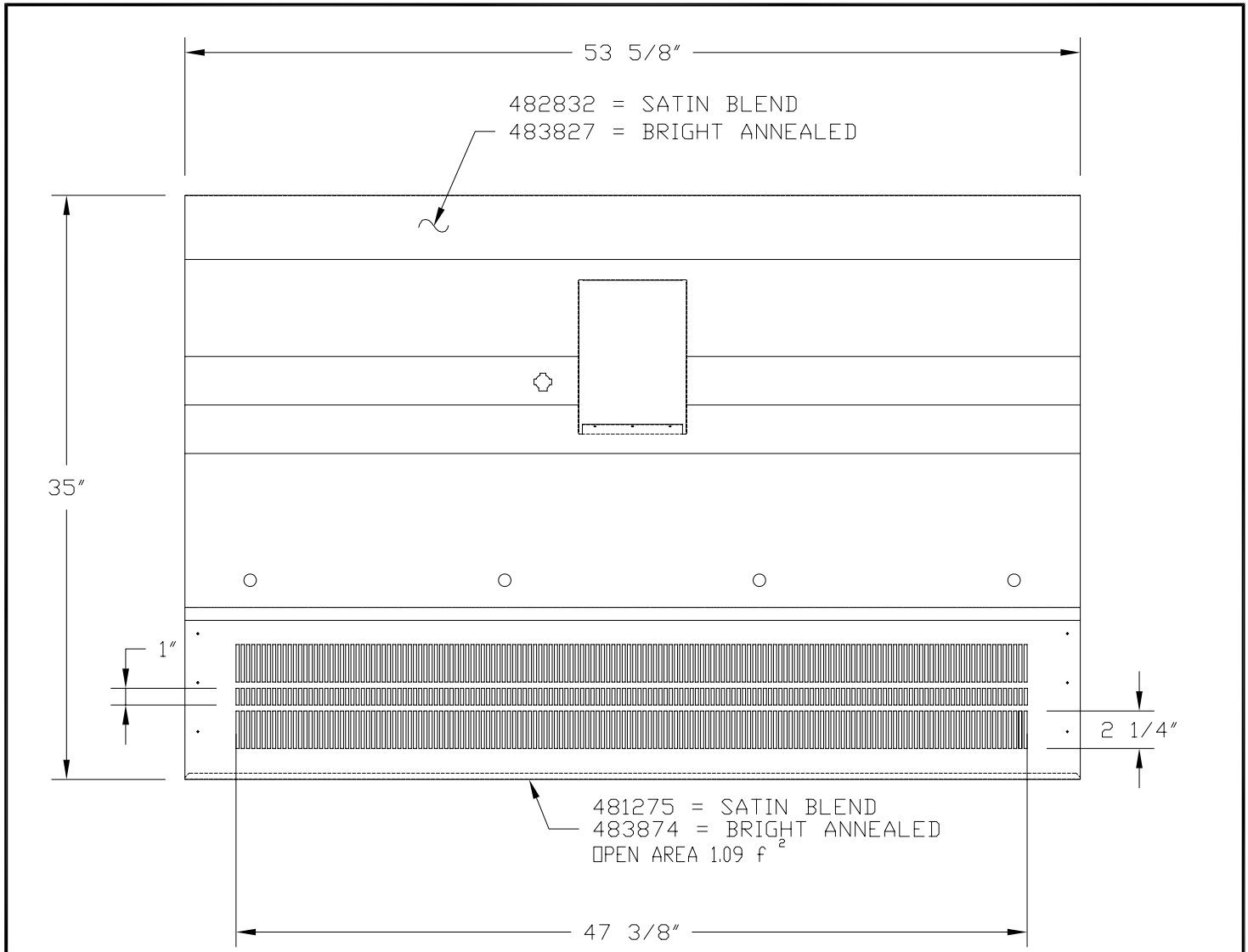
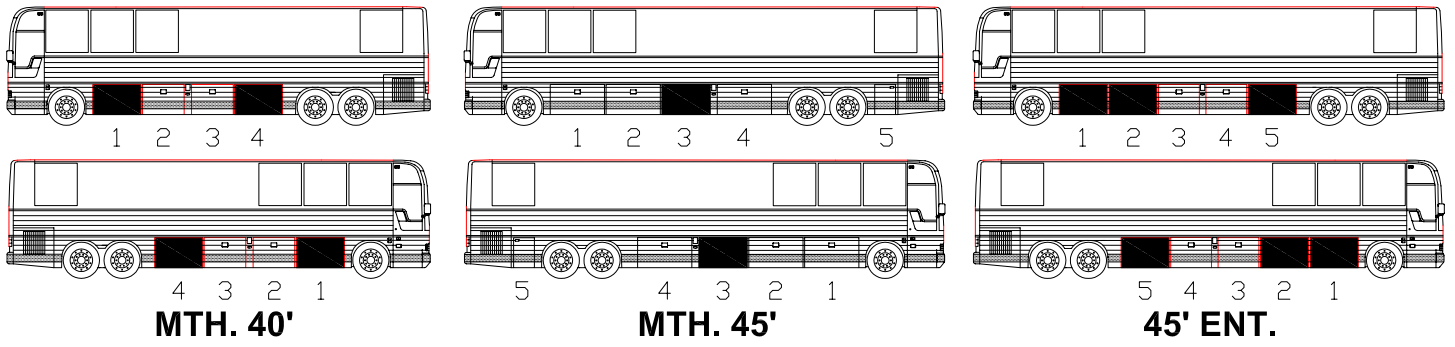
EXTERIOR VIEW

NOTE:

- LARGE LUGGAGE DOOR FOR MTH 40'
- SMALL LUGGAGE DOOR FOR MTH 45'
- LARGE LUGGAGE DOOR FOR 45' ENT.

TOTAL PERFORATED AREA: 0.91 f ²	EFF : Y-7046		DOOR ASSY ONLY IN SERVICE PART	N.A.
	PRIOR:			
DATE: 04-07	WITH INSULATION	X	OPTION LIST	482873
REV. : B	WITHOUT INSULATION			

PREVOST Le Mirage XL



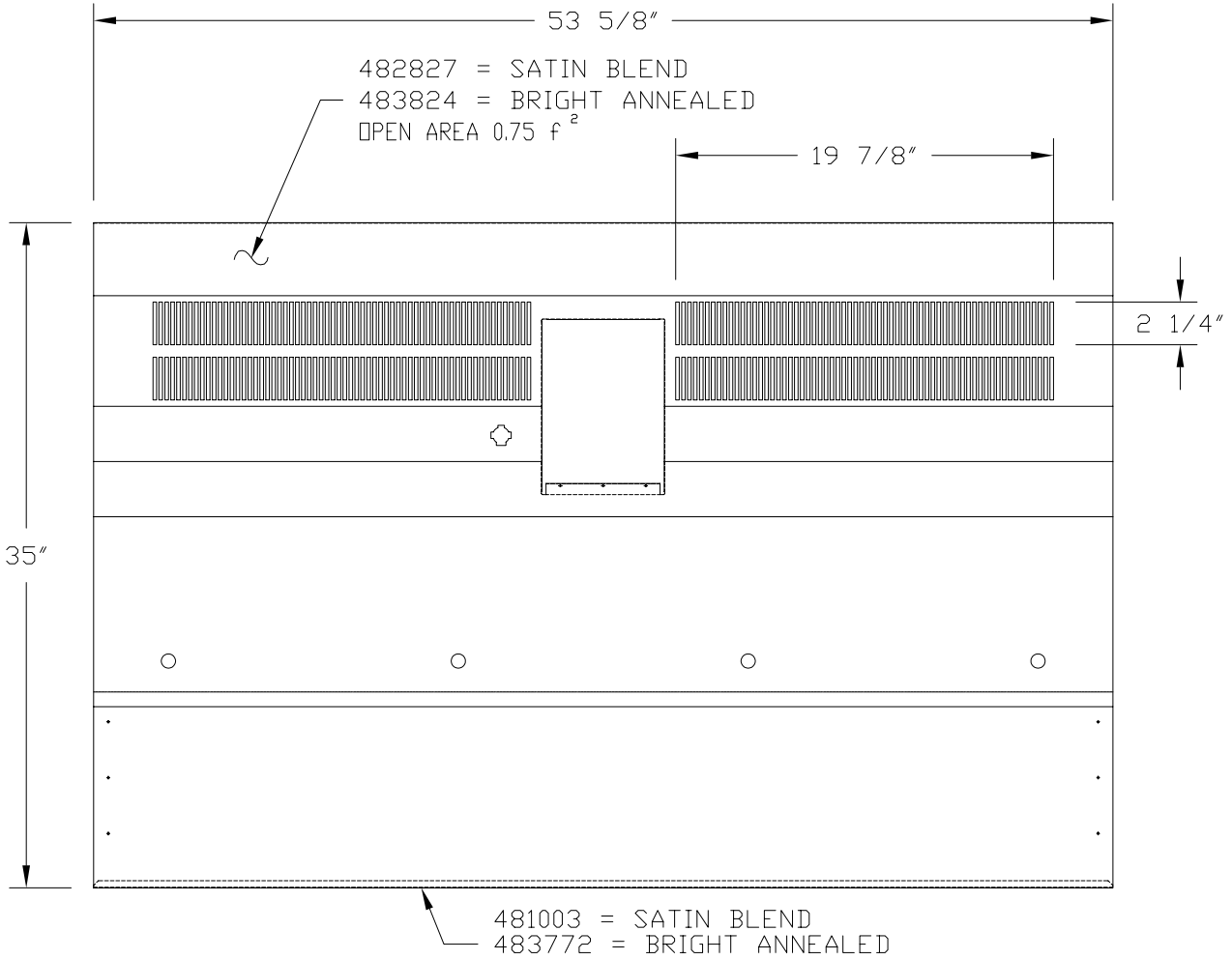
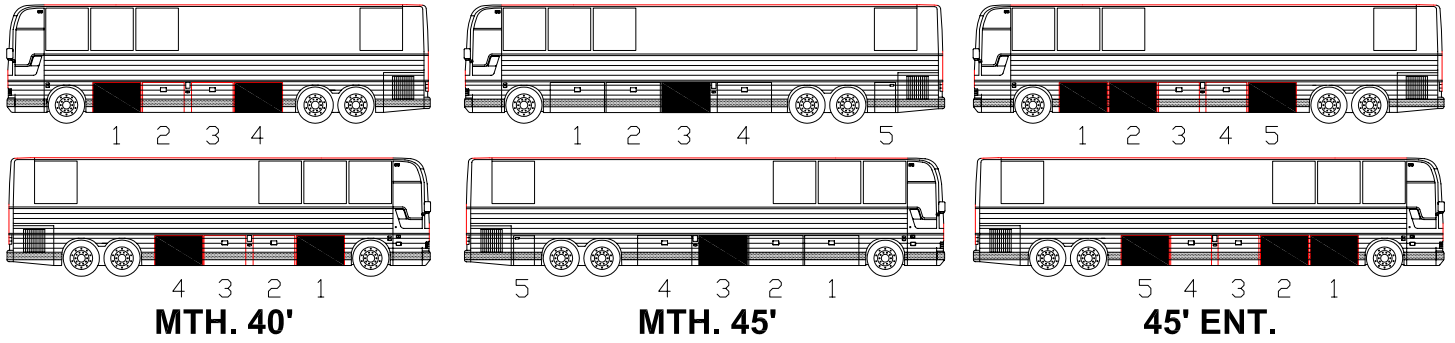
EXTERIOR VIEW

NOTE:

- LARGE LUGGAGE DOOR FOR MTH 40'
- SMALL LUGGAGE DOOR FOR MTH 45'
- LARGE LUGGAGE DOOR FOR 45' ENT.

TOTAL PERFORATED AREA: 1.09 f ²	EFF : Y-7046		DOOR ASSY ONLY IN SERVICE PART	N.A.
	PRIOR:			
DATE: 04-07	WITH INSULATION	X	OPTION LIST	482874
REV. : B	WITHOUT INSULATION			

PREVOST Le Mirage XL



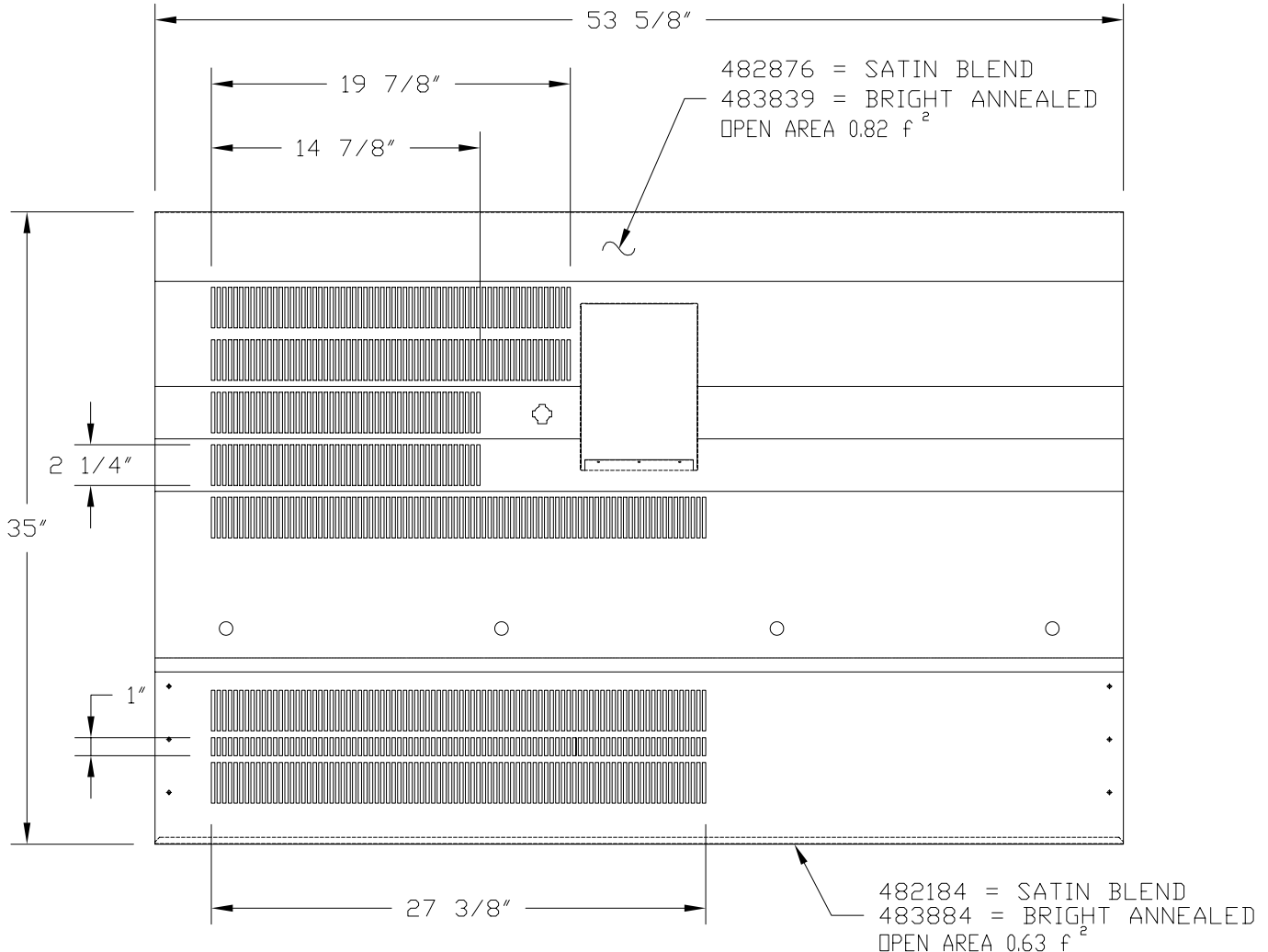
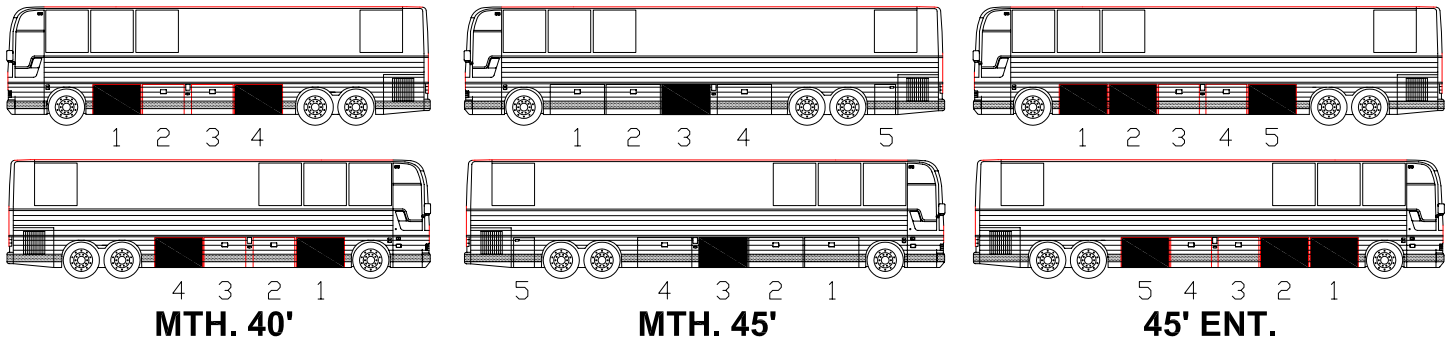
EXTERIOR VIEW

NOTE:

- LARGE LUGGAGE DOOR FOR MTH 40'
- SMALL LUGGAGE DOOR FOR MTH 45'
- LARGE LUGGAGE DOOR FOR 45' ENT.

TOTAL PERFORATED AREA: 0.75 f ²	EFF : Y-7046		DOOR ASSY ONLY IN SERVICE PART	N.A.
	PRIOR:			
DATE: 04-07	WITH INSULATION	X	OPTION LIST	482875
REV.: B	WITHOUT INSULATION			

PREVOST *Le Mirage XL*



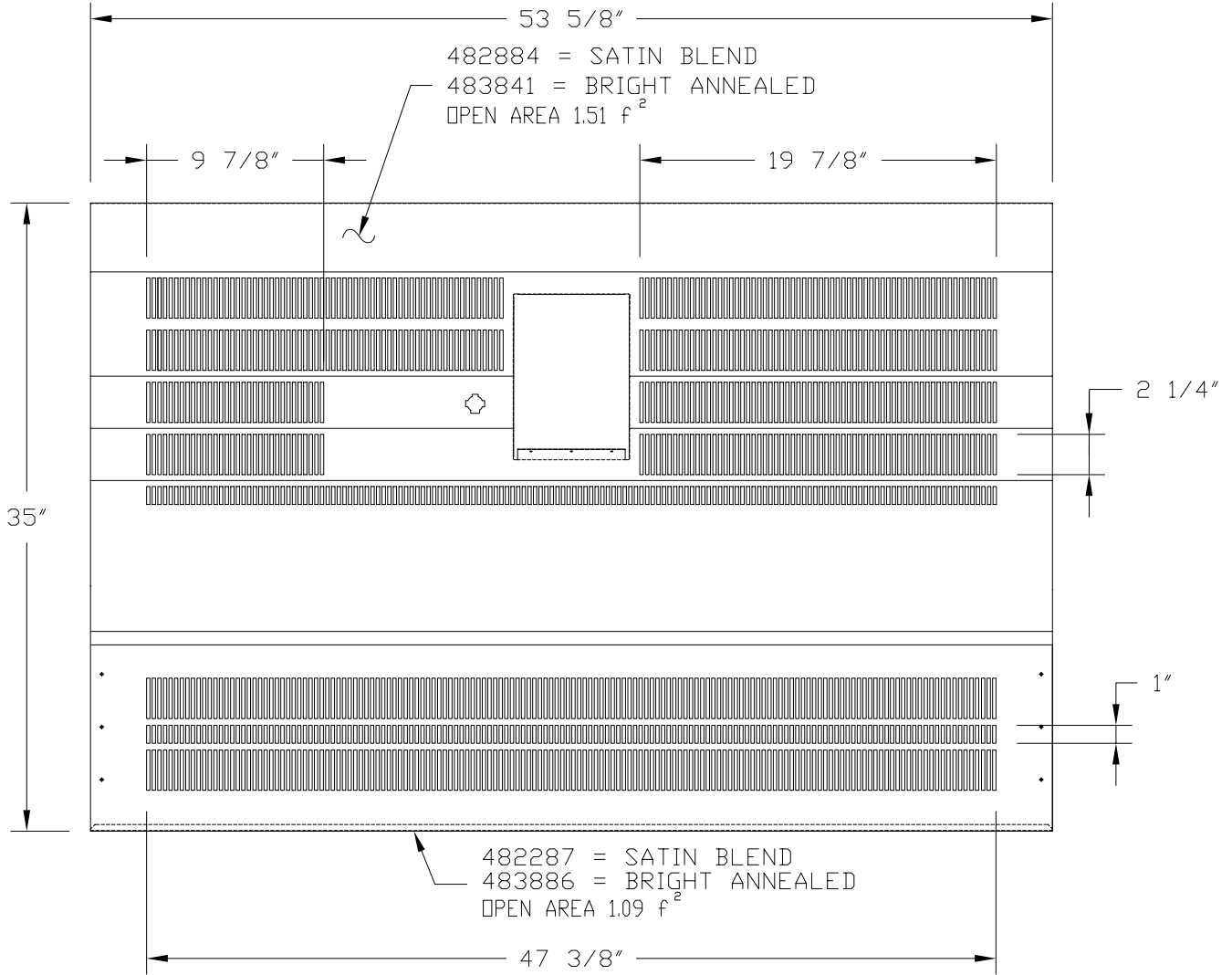
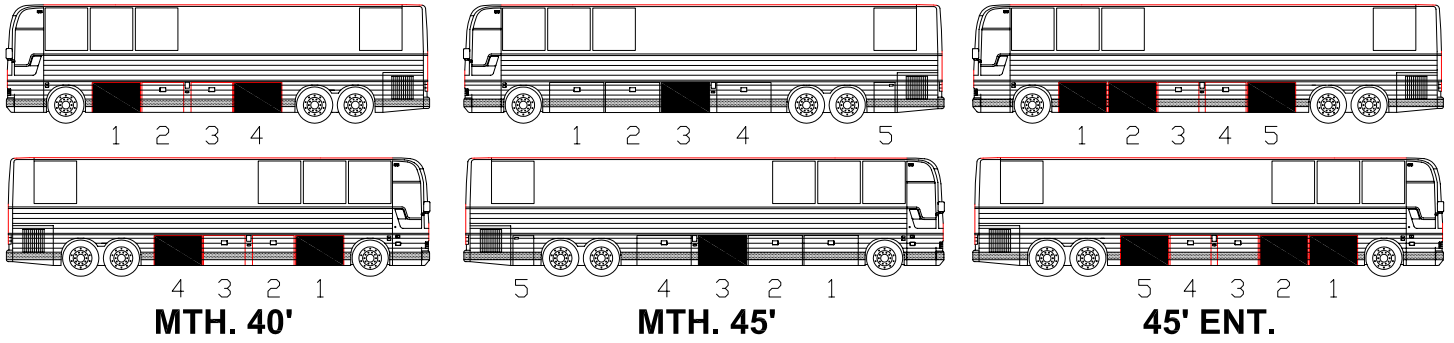
EXTERIOR VIEW

NOTE:

- LARGE LUGGAGE DOOR FOR MTH 40'
- SMALL LUGGAGE DOOR FOR MTH 45'
- LARGE LUGGAGE DOOR FOR 45' ENT.

TOTAL PERFORATED AREA: 1.45 f ²	EFF : Y-7046		DOOR ASSY ONLY IN SERVICE PART	N.A.
	PRIOR:			
DATE: 04-07	WITH INSULATION		OPTION LIST	482877
REV. : B	WITHOUT INSULATION	X		

PREVOST® Le Mirage XL III



EXTERIOR VIEW

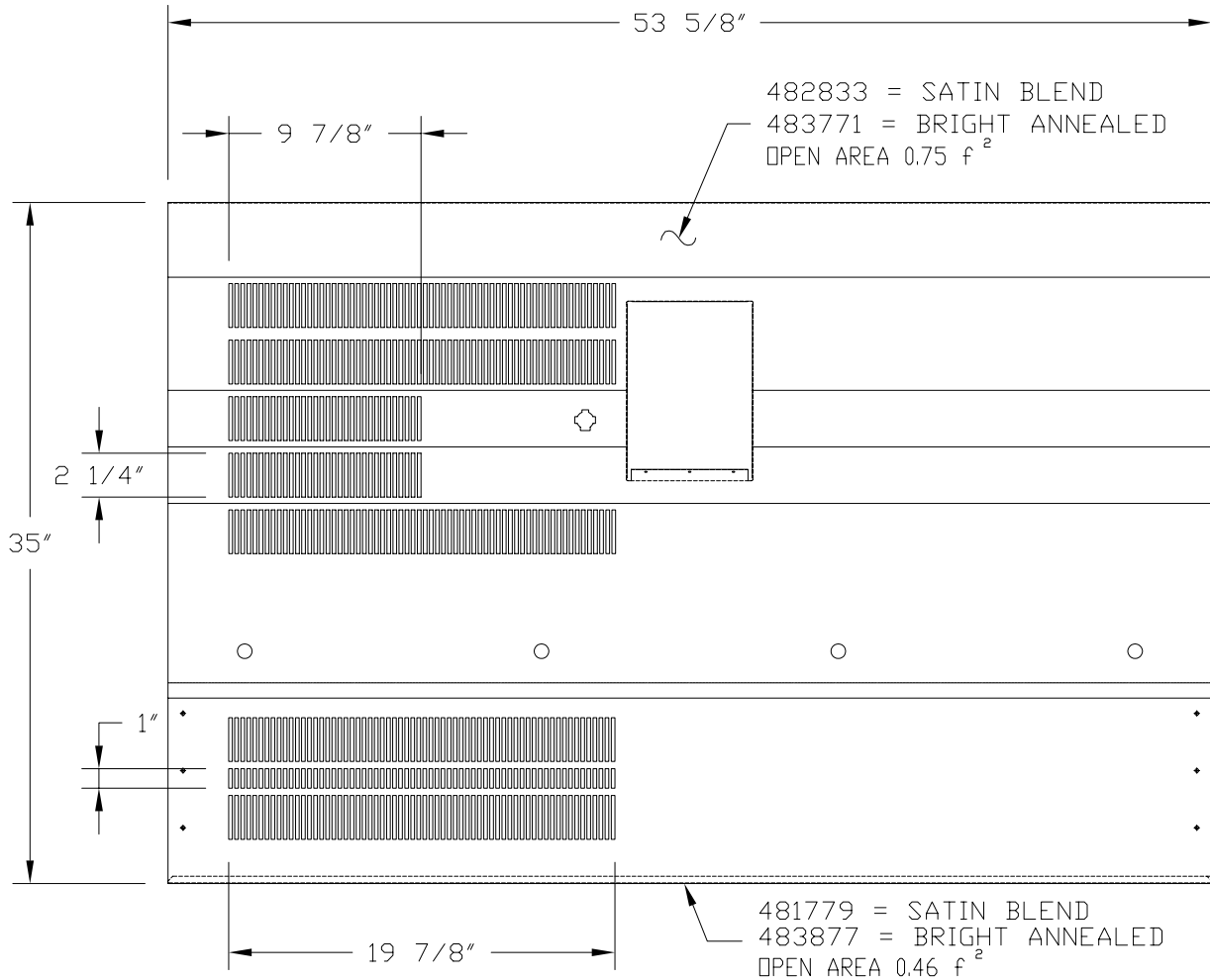
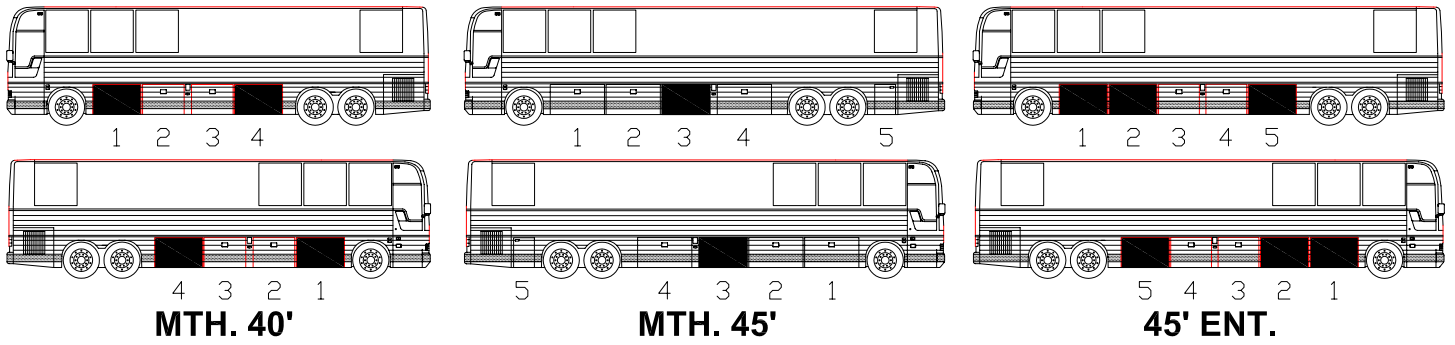
NOTE:

- LARGE LUGGAGE DOOR FOR MTH 40'
- SMALL LUGGAGE DOOR FOR MTH 45'
- LARGE LUGGAGE DOOR FOR 45' ENT.

SPECIAL REINFORCEMENT DOOR
WITH METAL RUBBER RAIL
PROTECTOR NOT INCLUDED

TOTAL PERFORATED AREA: 2.60 f ²	EFF : Y-7046	DOOR ASSY ONLY IN SERVICE PART	N.A.
	PRIOR:		
DATE: 04-07	WITH INSULATION	OPTION LIST	482883
REV. : B	WITHOUT INSULATION X		

PREVOST Le Mirage XL



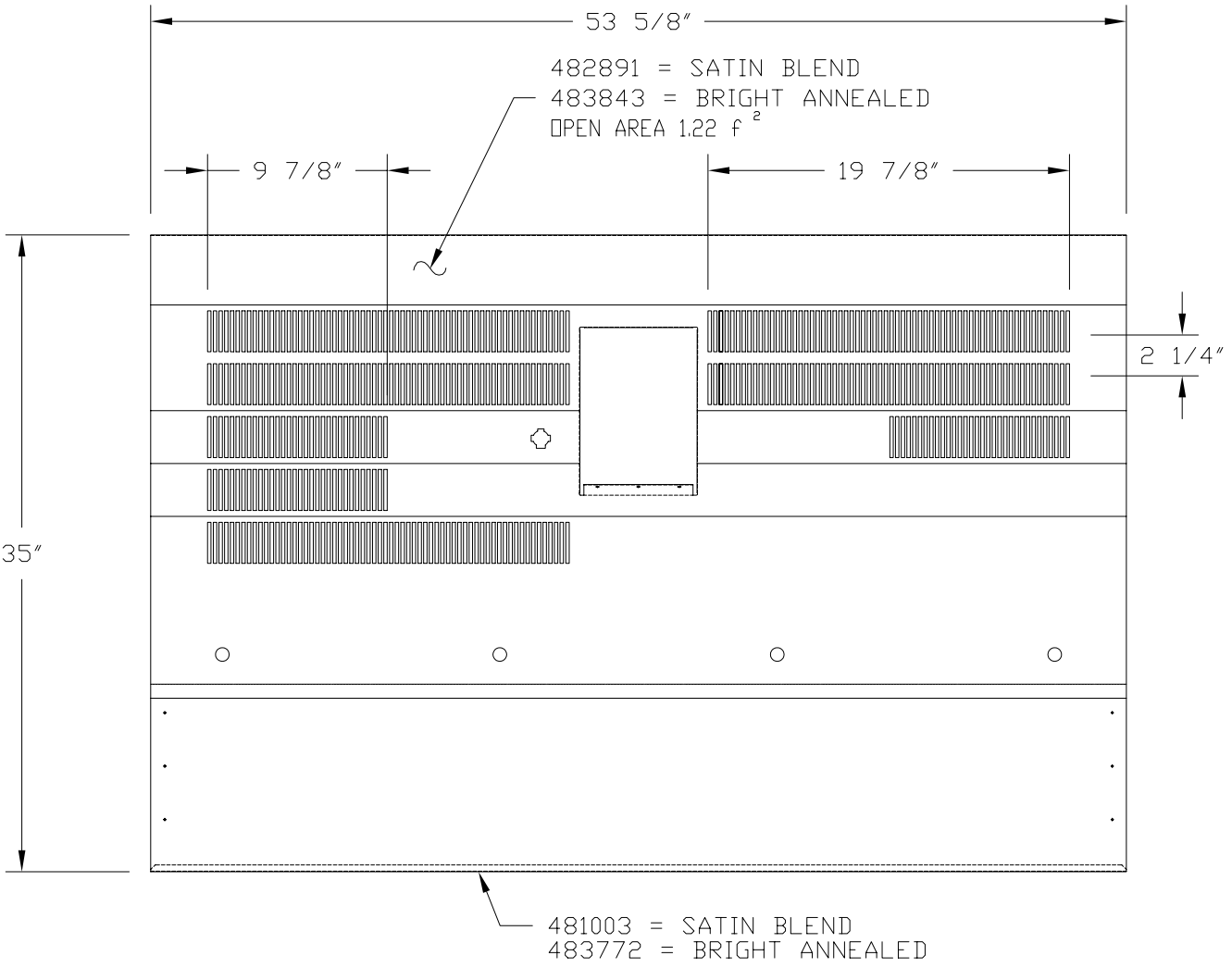
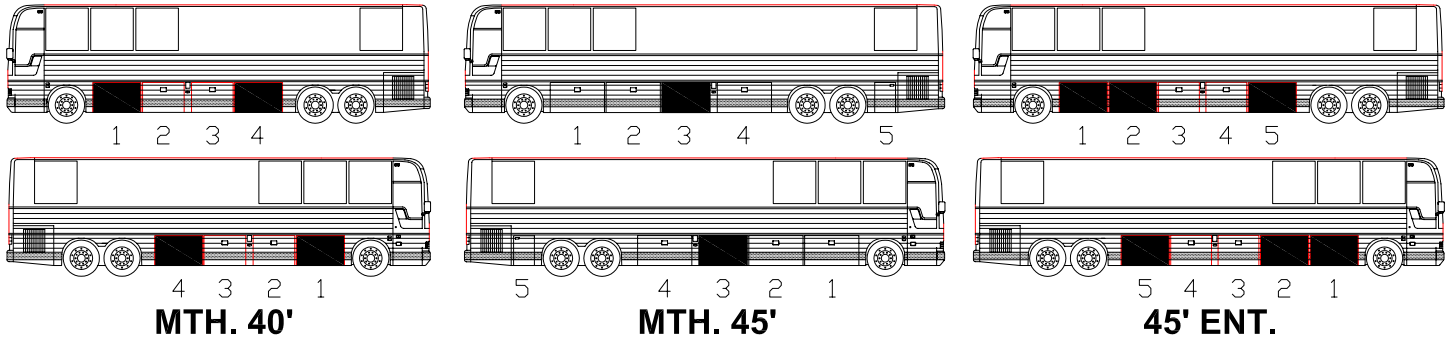
EXTERIOR VIEW

NOTE:

- LARGE LUGGAGE DOOR FOR MTH 40'
- SMALL LUGGAGE DOOR FOR MTH 45'
- LARGE LUGGAGE DOOR FOR 45' ENT.

TOTAL PERFORATED AREA: 1.21 f ²	EFF : Y-7046		DOOR ASSY ONLY IN SERVICE PART	N.A.
	PRIOR:			
DATE: 04-07	WITH INSULATION	X	OPTION LIST	482886
REV. : B	WITHOUT INSULATION			

PREVOST *Le Mirage XL*

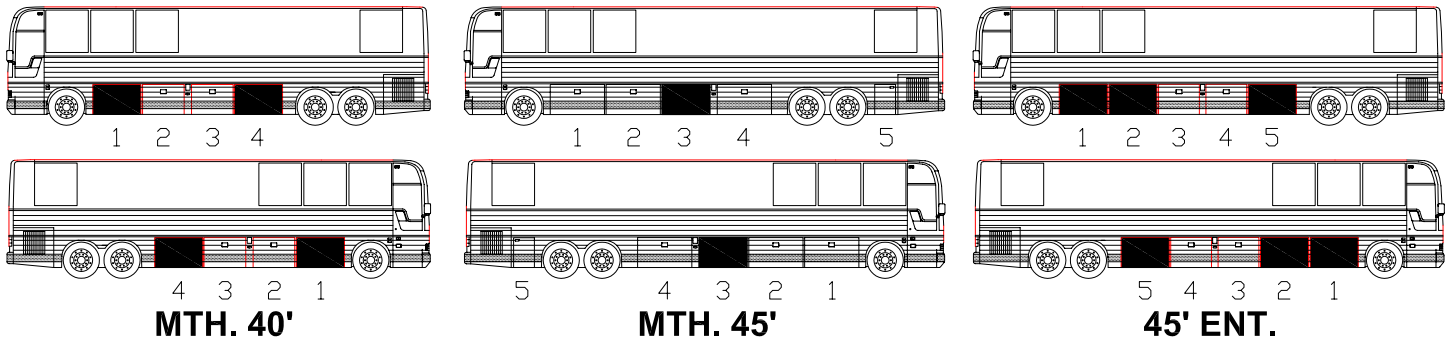


EXTERIOR VIEW

- NOTE:**
- LARGE LUGGAGE DOOR FOR MTH 40'
 - SMALL LUGGAGE DOOR FOR MTH 45'
 - LARGE LUGGAGE DOOR FOR 45' ENT.

TOTAL PERFORATED AREA: 1.22 f ²	EFF : Y-7046		DOOR ASSY ONLY IN SERVICE PART	N.A.
	PRIOR:			
DATE: 04-07	WITH INSULATION		OPTION LIST	482892
REV. : B	WITHOUT INSULATION	X		

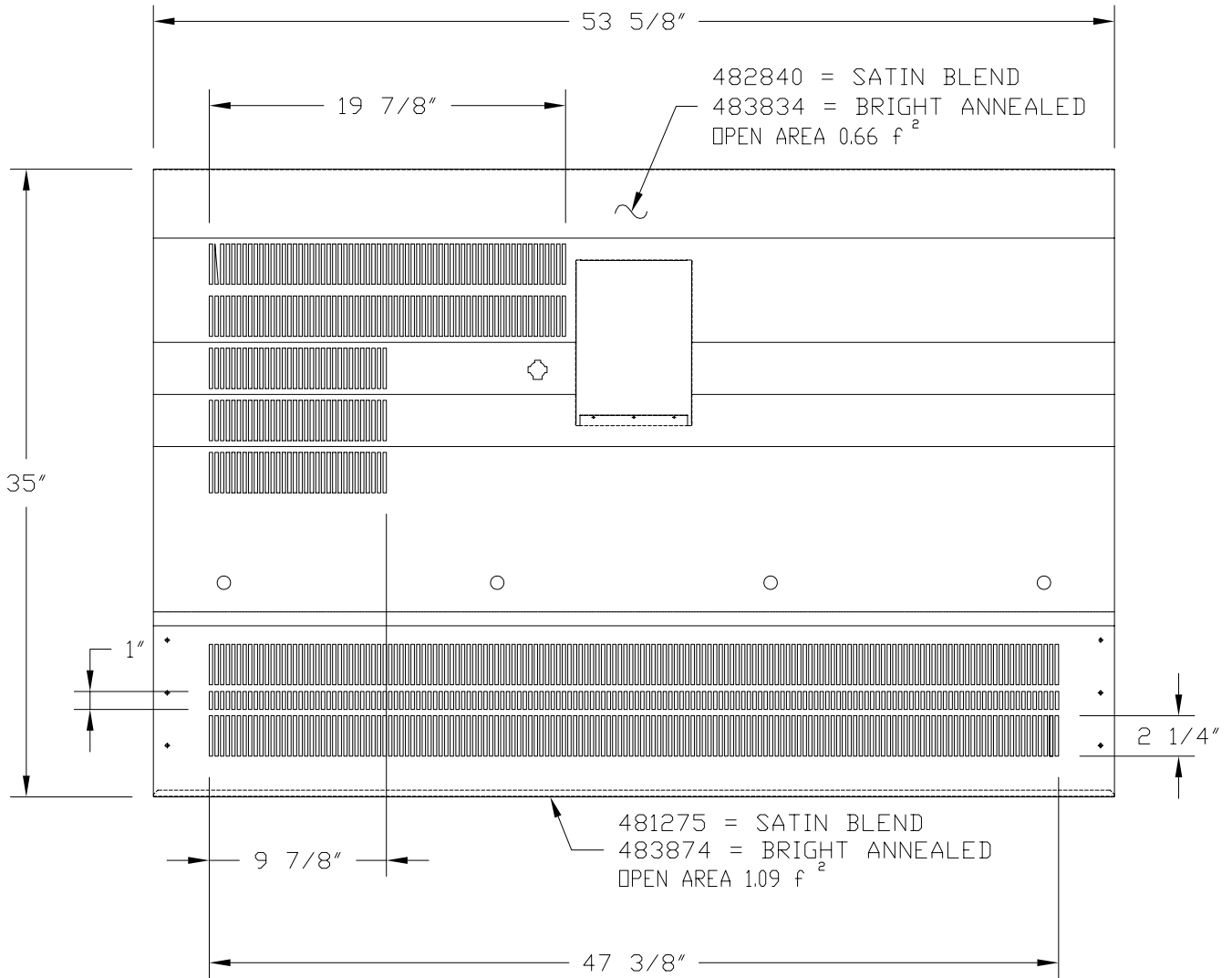
PREVOST *Le Mirage XL*



MTH. 40'

MTH. 45'

45' ENT.



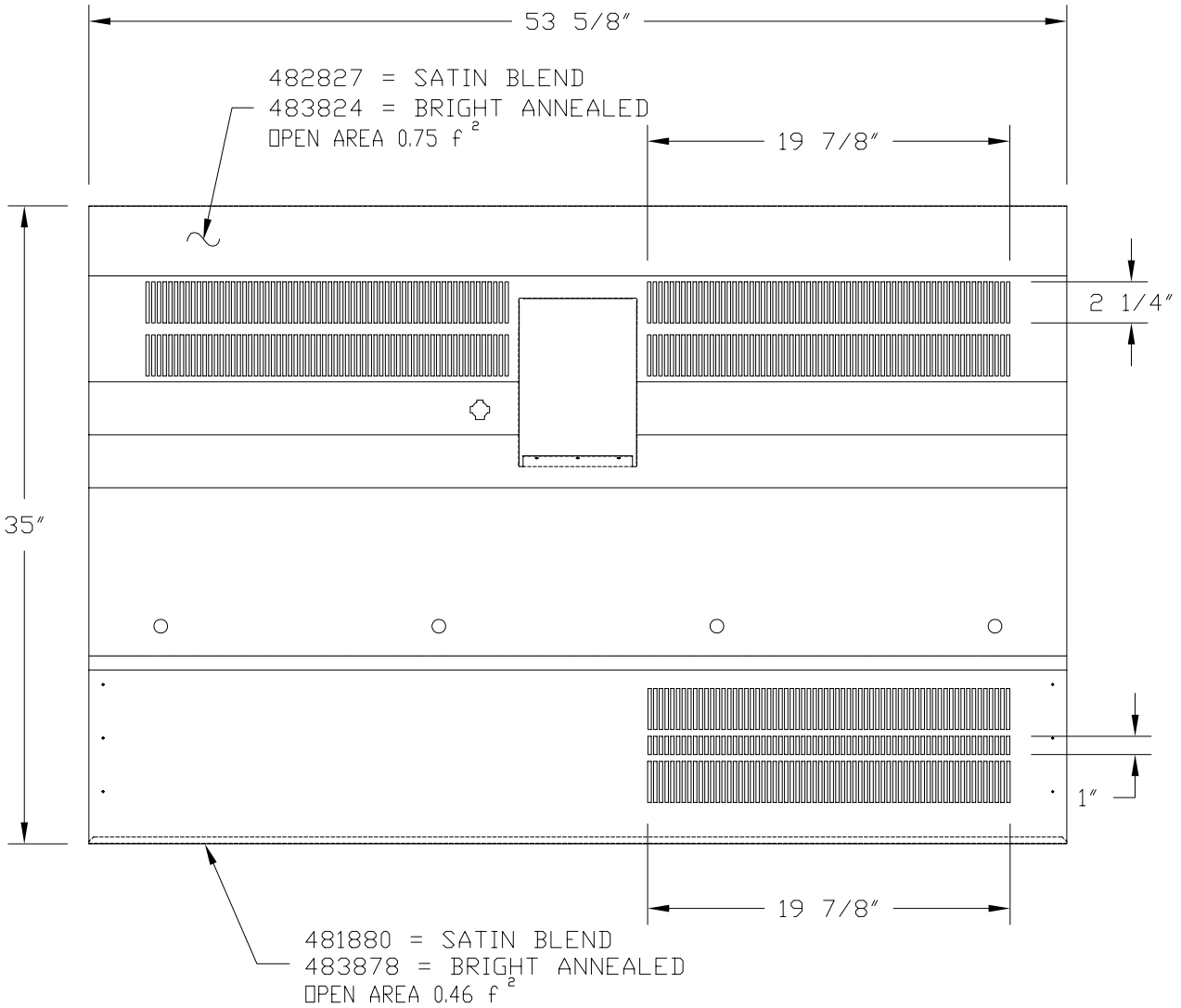
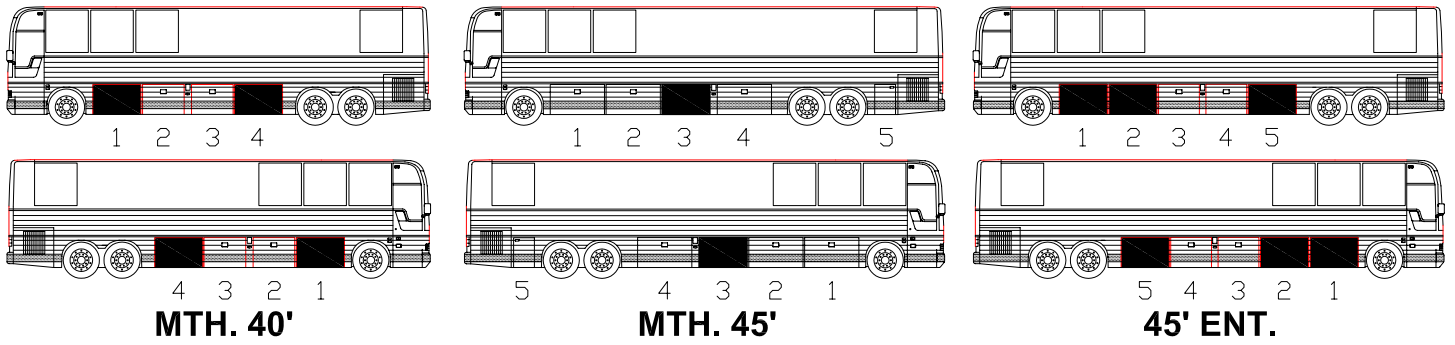
EXTERIOR VIEW

NOTE:

- LARGE LUGGAGE DOOR FOR MTH 40'
- SMALL LUGGAGE DOOR FOR MTH 45'
- LARGE LUGGAGE DOOR FOR 45' ENT.

TOTAL PERFORATED AREA: 1.75 f ²	EFF : Y-7046		DOOR ASSY ONLY IN SERVICE PART	N.A.
	PRIOR:			
DATE: 04-07	WITH INSULATION	X	OPTION LIST	482895
REV. : B	WITHOUT INSULATION			

PREVOST Le Mirage XL



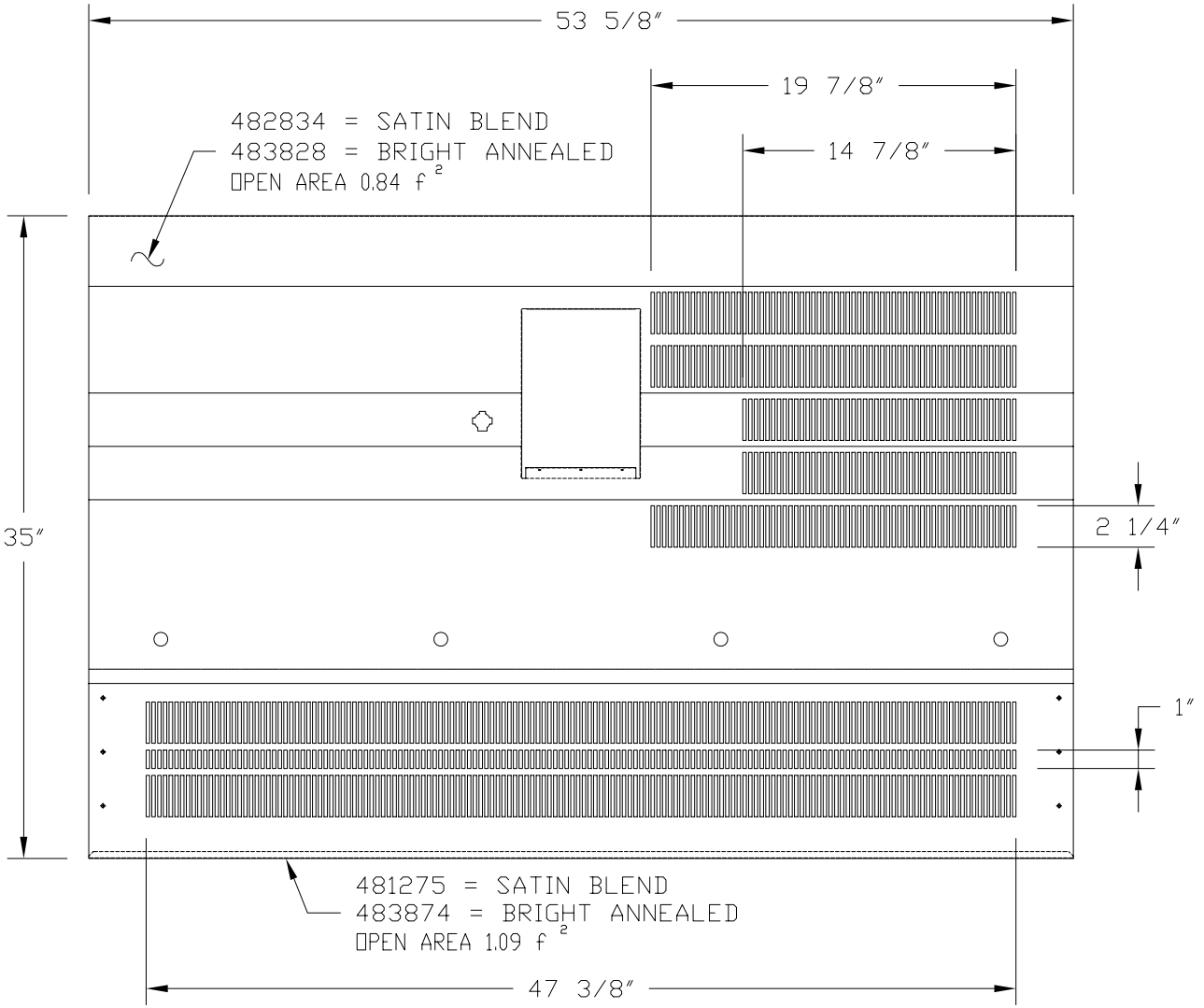
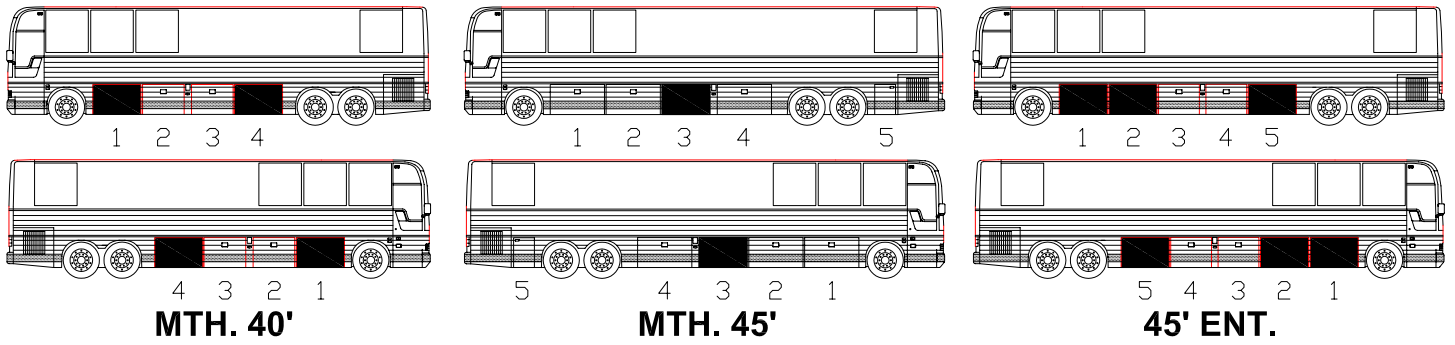
EXTERIOR VIEW

NOTE:

- LARGE LUGGAGE DOOR FOR MTH 40'
- SMALL LUGGAGE DOOR FOR MTH 45'
- LARGE LUGGAGE DOOR FOR 45' ENT.

TOTAL PERFORATED AREA: 1.21 f ²	EFF : Y-7046		DOOR ASSY ONLY IN SERVICE PART	N.A.
	PRIOR:			
DATE: 04-07	WITH INSULATION		OPTION LIST	482902
REV. : B	WITHOUT INSULATION	X		

PREVOST® Le Mirage XL

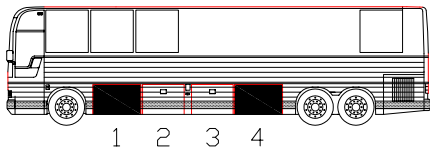


EXTERIOR VIEW

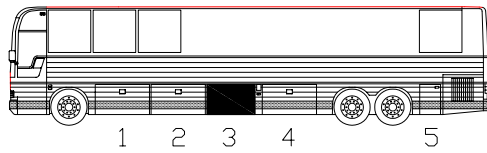
- NOTE:**
- LARGE LUGGAGE DOOR FOR MTH 40'
 - SMALL LUGGAGE DOOR FOR MTH 45'
 - LARGE LUGGAGE DOOR FOR 45' ENT.

TOTAL PERFORATED AREA: 1.93 f ²	EFF : Y-7046		DOOR ASSY ONLY IN SERVICE PART	N.A.
	PRIOR:			
DATE: 04-07	WITH INSULATION		OPTION LIST	482906
REV. : B	WITHOUT INSULATION	X		

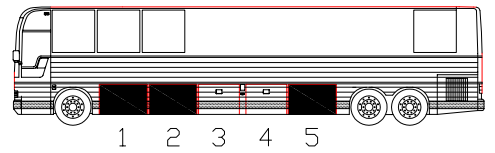
PREVOST Le Mirage XL



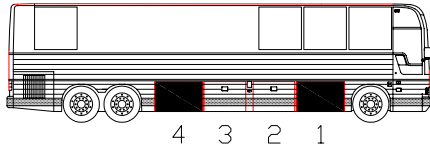
1 2 3 4



1 2 3 4 5



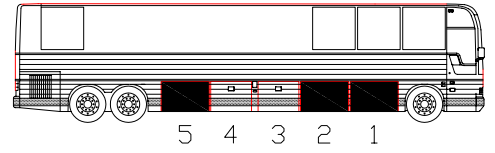
1 2 3 4 5



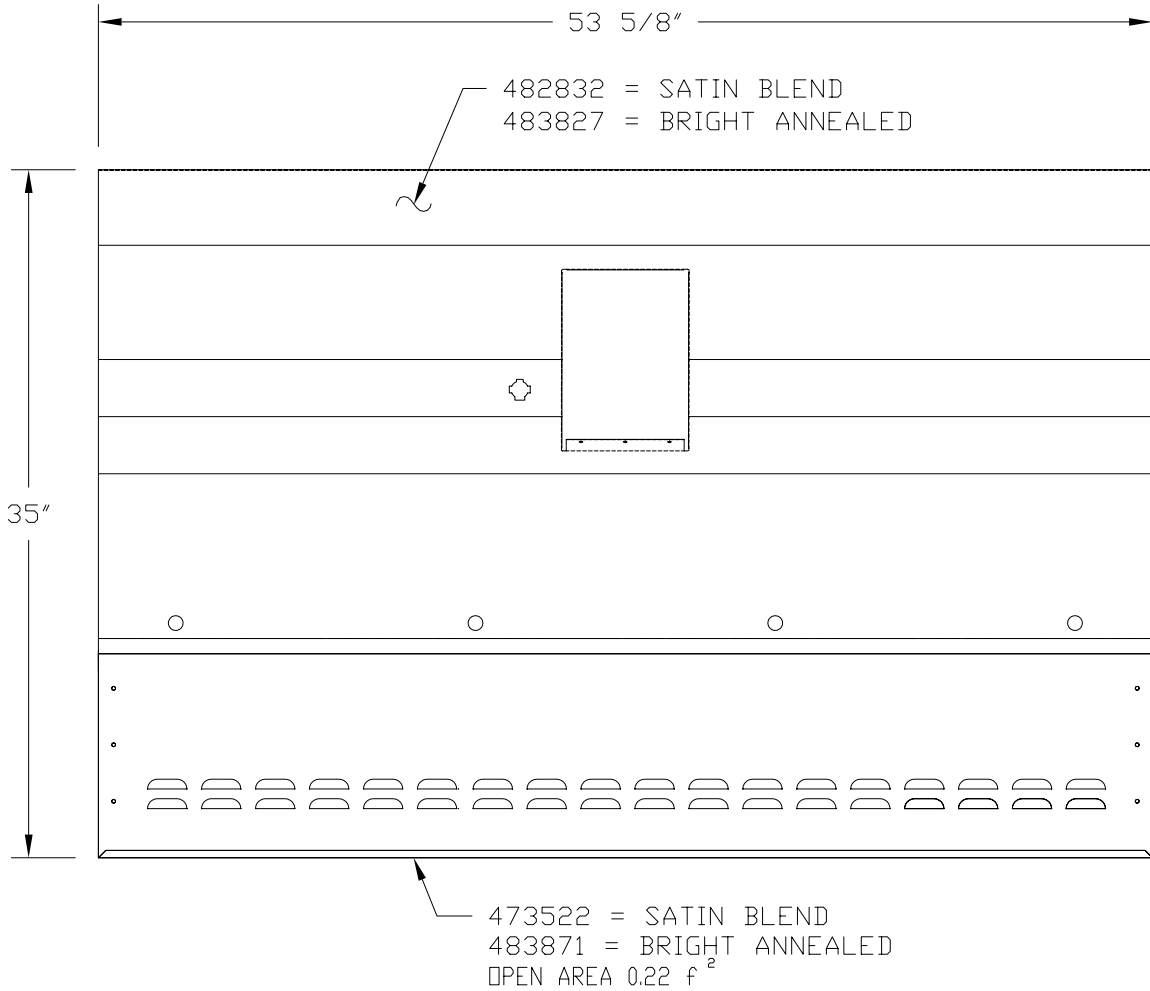
4 3 2 1
MTH. 40'



5 4 3 2 1
MTH. 45'



5 4 3 2 1
45' ENT.



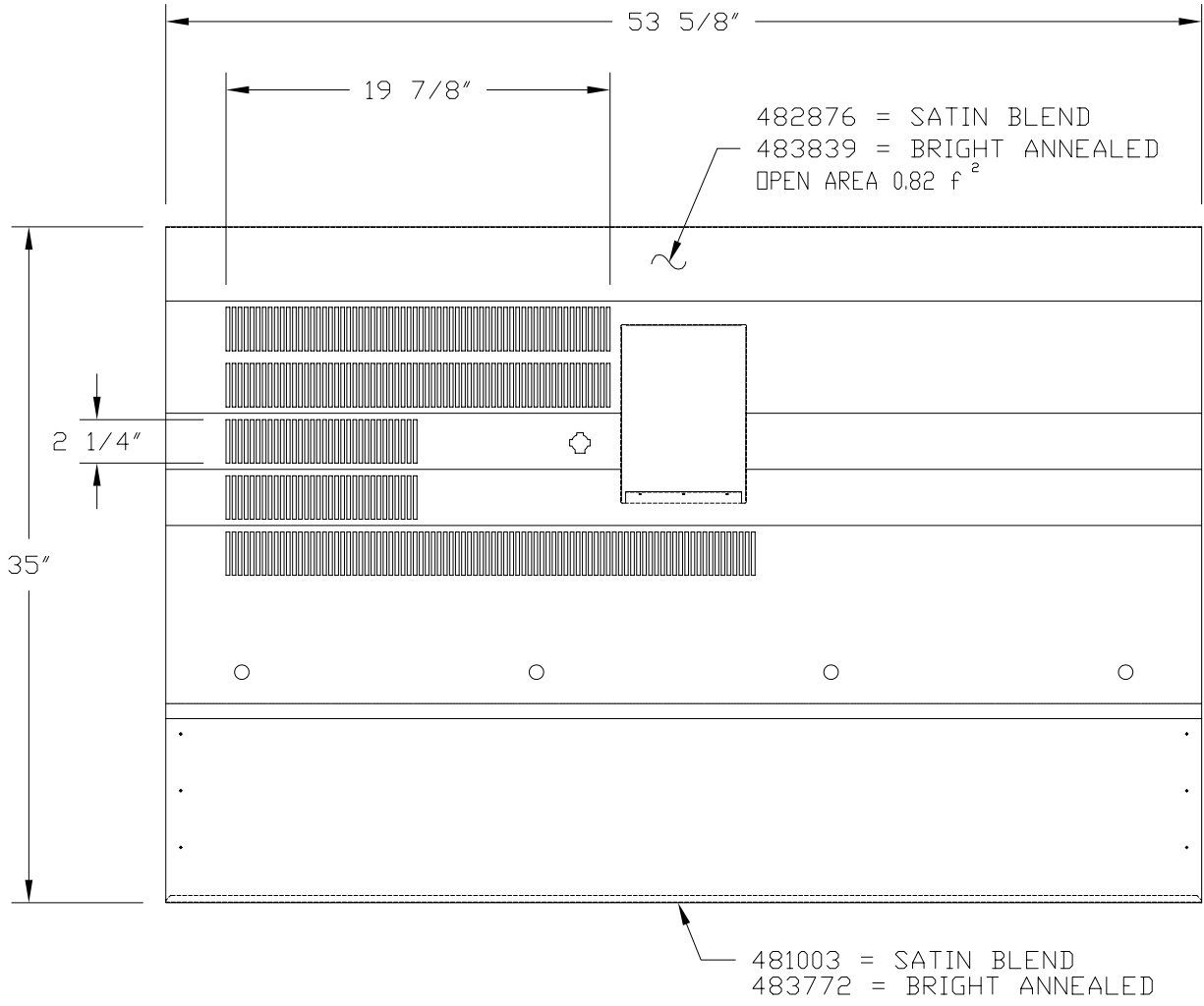
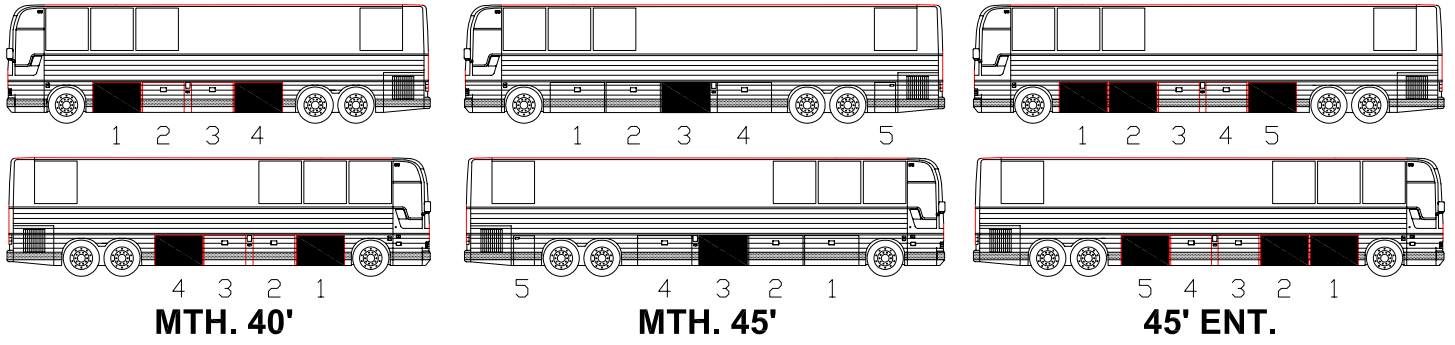
EXTERIOR VIEW

NOTE:

- LARGE LUGGAGE DOOR FOR MTH 40'
- SMALL LUGGAGE DOOR FOR MTH 45'
- LARGE LUGGAGE DOOR FOR 45' ENT.

TOTAL PERFORATED AREA: 0.22 f ²	EFF : Y-7046		DOOR ASSY ONLY IN SERVICE PART	N.A.
	PRIOR:			
DATE: 04-07	WITH INSULATION	X	OPTION LIST	482907
REV.: B	WITHOUT INSULATION			

PREVOST *Le Mirage XL*

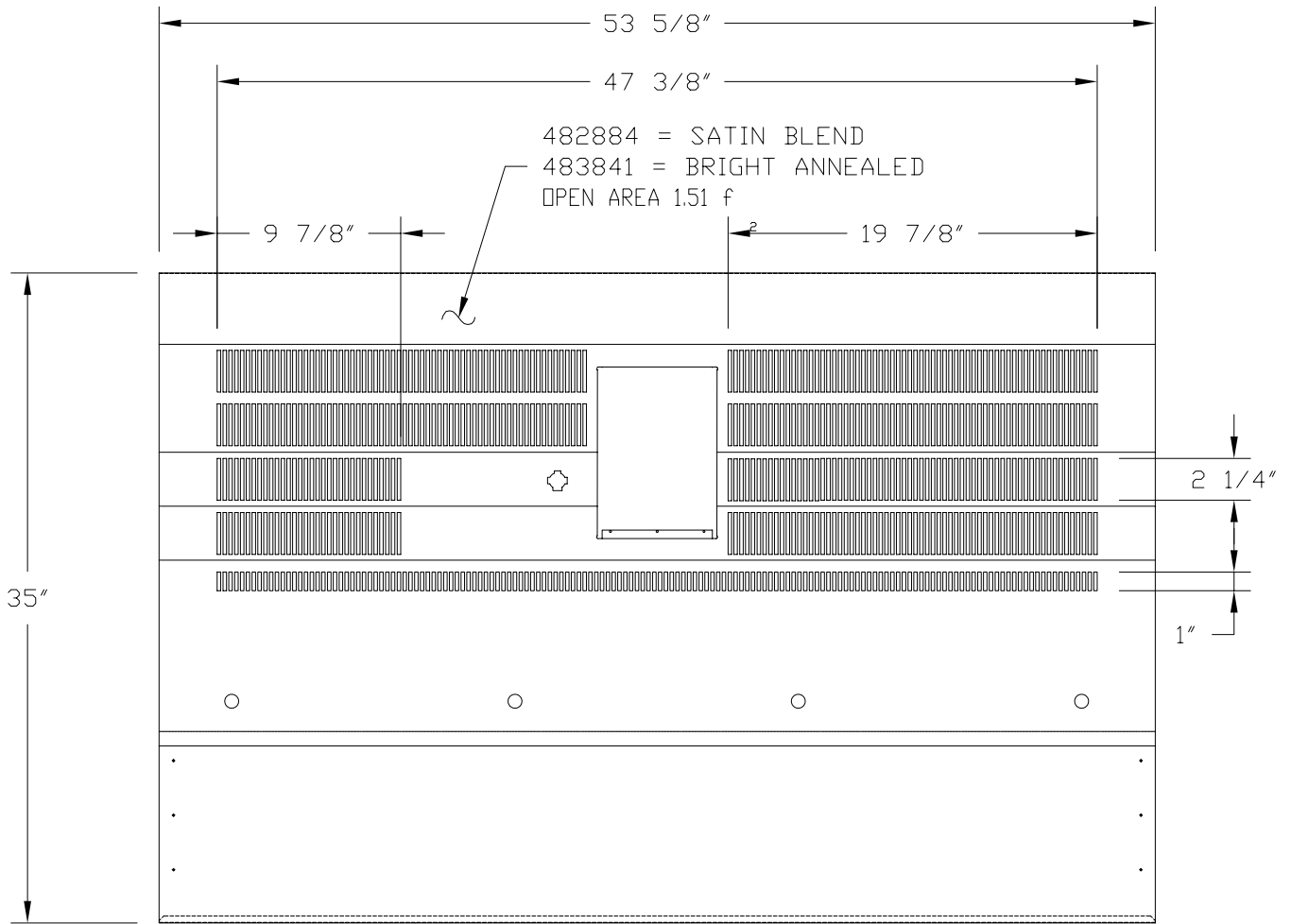
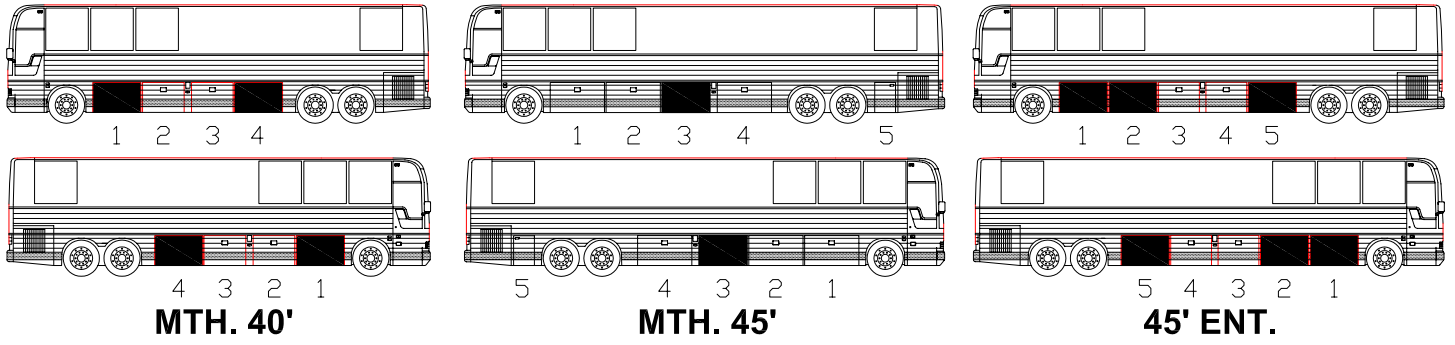


EXTERIOR VIEW

- NOTE:**
- LARGE LUGGAGE DOOR FOR MTH 40'
 - SMALL LUGGAGE DOOR FOR MTH 45'
 - LARGE LUGGAGE DOOR FOR 45' ENT.

TOTAL PERFORATED AREA: 0.82 f ²	EFF : Y-7046		DOOR ASSY ONLY IN SERVICE PART	N.A.
	PRIOR:			
DATE: 04-07	WITH INSULATION	X	OPTION LIST	482908
REV. : B	WITHOUT INSULATION			

PREVOST *Le Mirage XL*



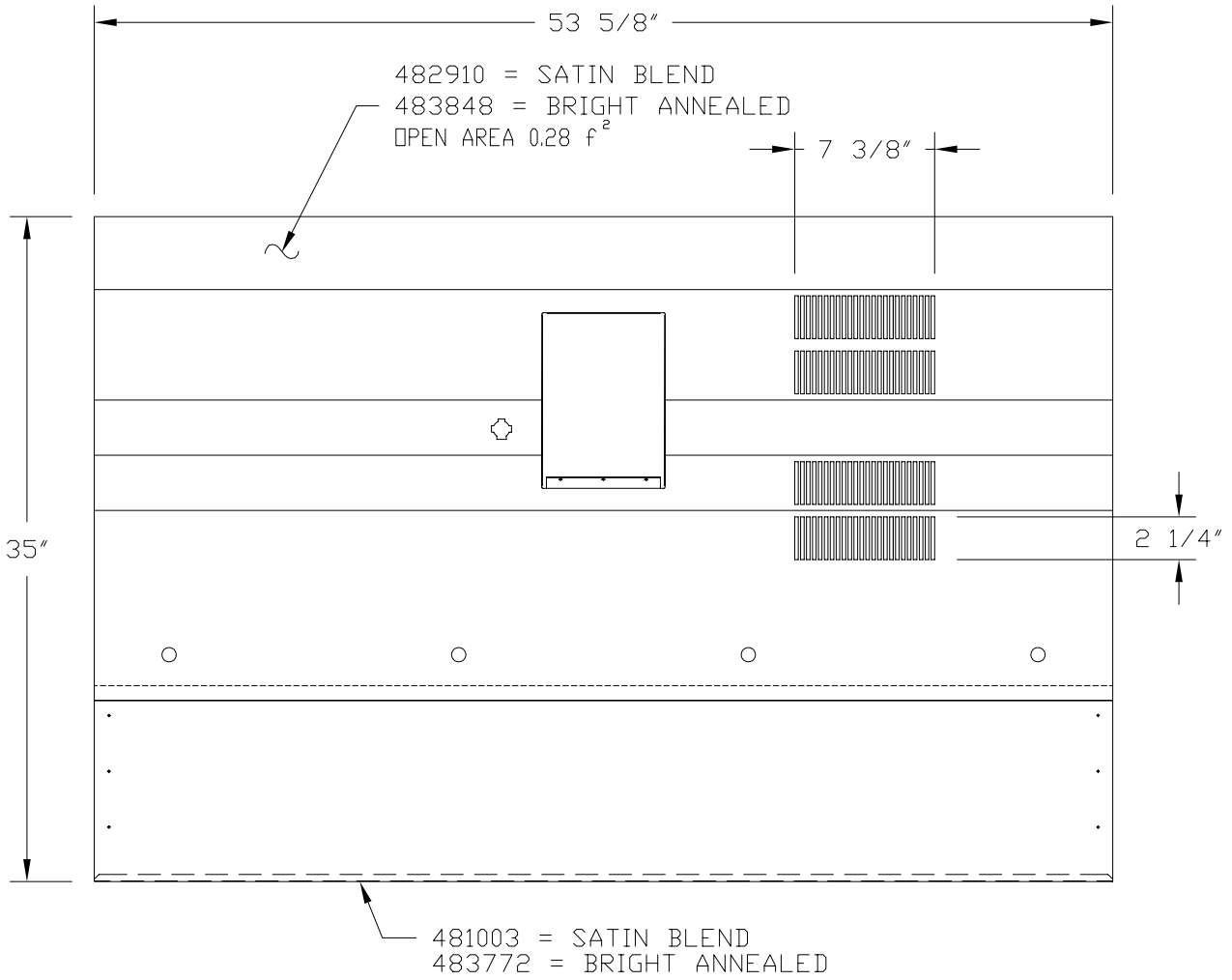
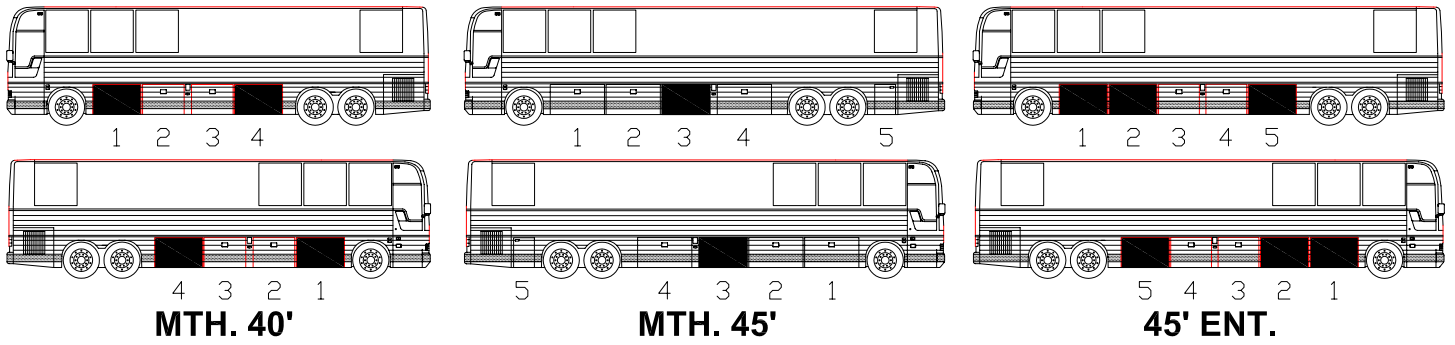
EXTERIOR VIEW

NOTE:

- LARGE LUGGAGE DOOR FOR MTH 40'
- SMALL LUGGAGE DOOR FOR MTH 45'
- LARGE LUGGAGE DOOR FOR 45' ENT.

TOTAL PERFORATED AREA: 1.51 f ²	EFF : Y-7046		DOOR ASSY ONLY IN SERVICE PART	N.A.
	PRIOR:			
DATE: 04-07	WITH INSULATION		OPTION LIST	482909
REV.: B	WITHOUT INSULATION	X		

PREVOST Le Mirage XL

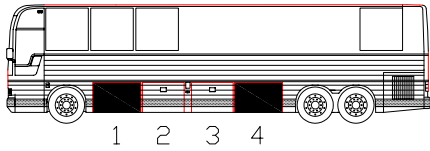


EXTERIOR VIEW

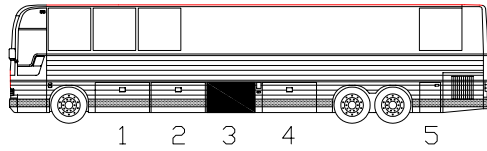
- NOTE:**
- LARGE LUGGAGE DOOR FOR MTH 40'
 - SMALL LUGGAGE DOOR FOR MTH 45'
 - LARGE LUGGAGE DOOR FOR 45' ENT.

TOTAL PERFORATED AREA: 0.28 f ²	EFF : Y-7046		DOOR ASSY ONLY IN SERVICE PART	N.A.
	PRIOR:			
DATE: 04-07	WITH INSULATION	X	OPTION LIST	482911
REV. : B	WITHOUT INSULATION			

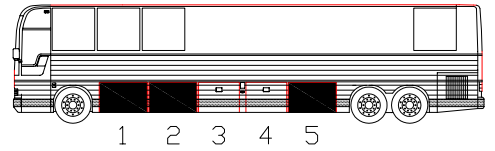
PREVOST *Le Mirage XL*



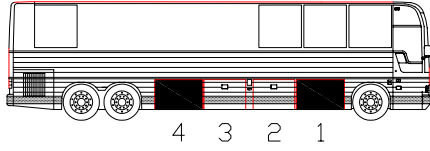
1 2 3 4



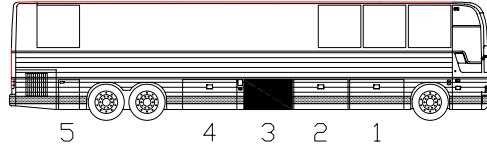
1 2 3 4 5



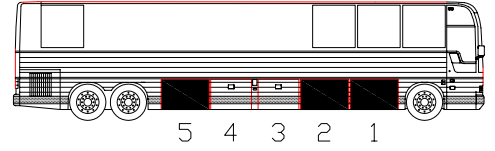
1 2 3 4 5



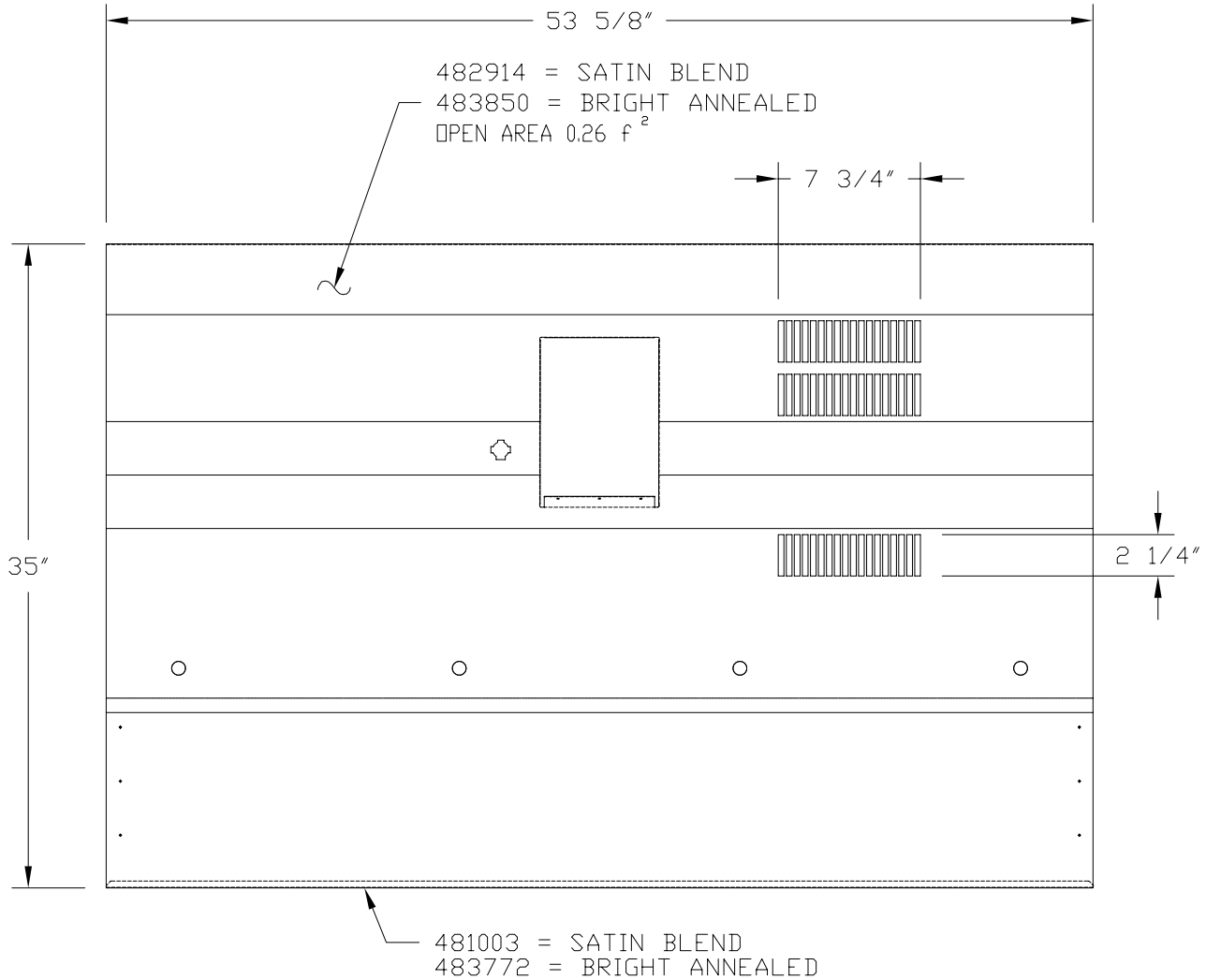
4 3 2 1
MTH. 40'



5 4 3 2 1
MTH. 45'



5 4 3 2 1
45' ENT.



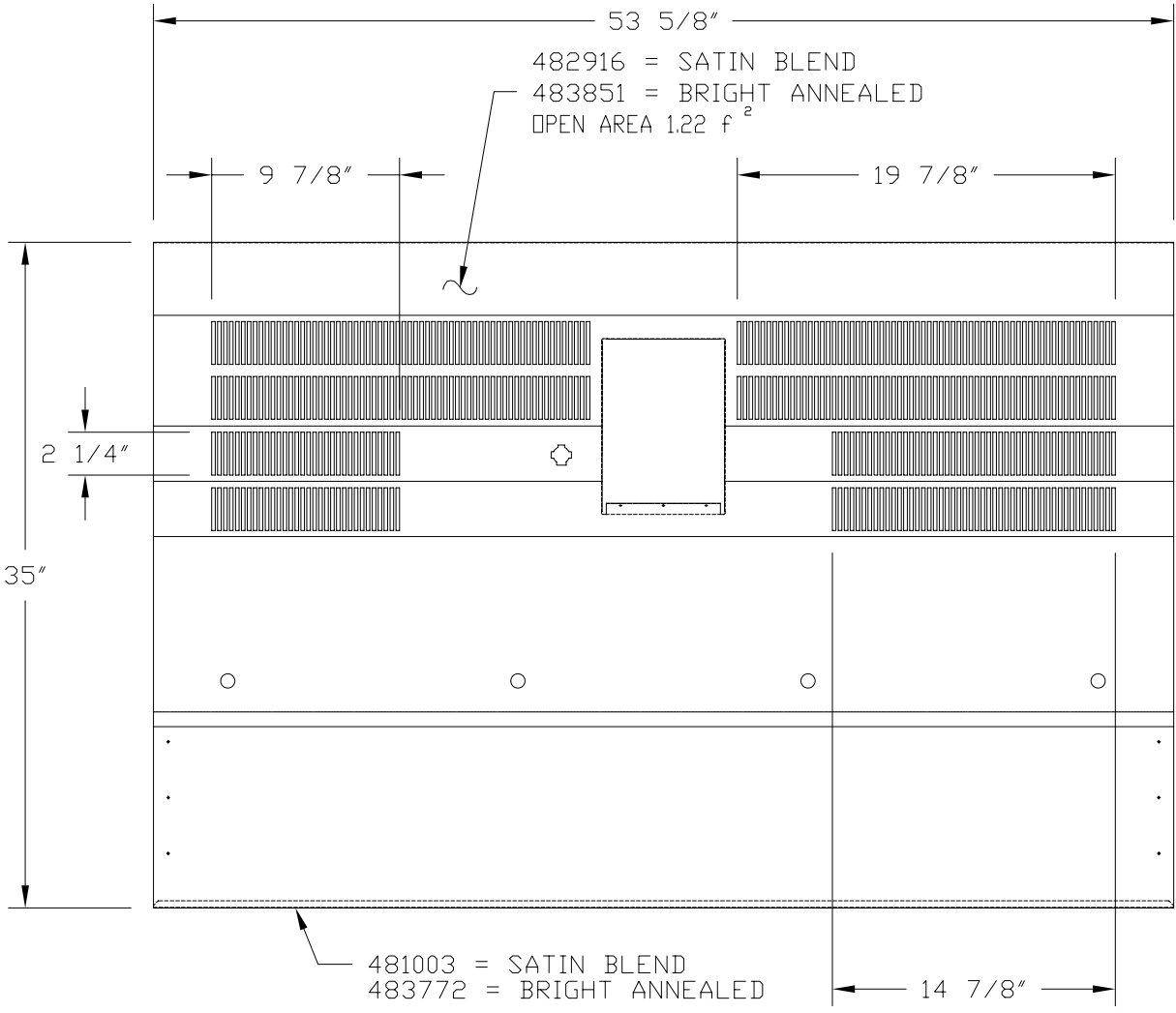
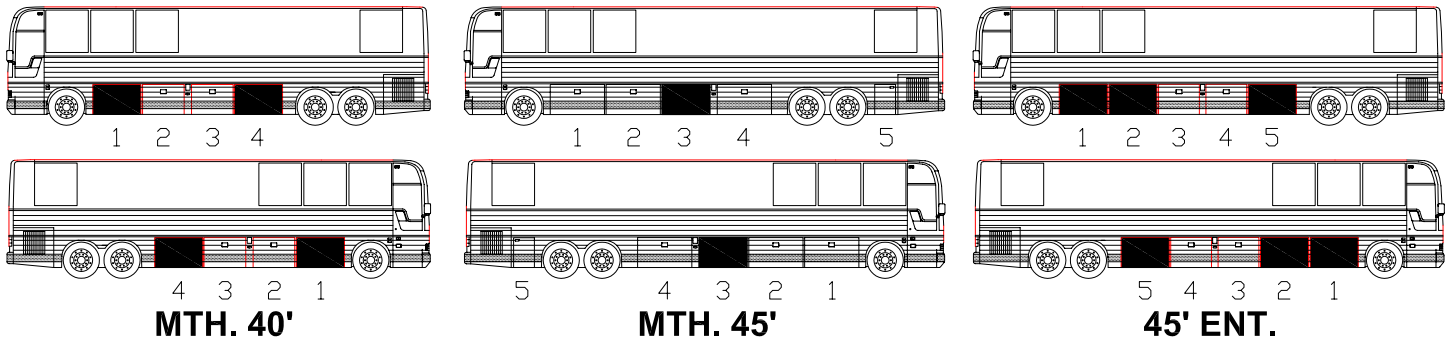
EXTERIOR VIEW

NOTE:

- LARGE LUGGAGE DOOR FOR MTH 40'
- SMALL LUGGAGE DOOR FOR MTH 45'
- LARGE LUGGAGE DOOR FOR 45' ENT.

TOTAL PERFORATED AREA: 0.26 f ²	EFF : Y-7046		DOOR ASSY ONLY IN SERVICE PART	N.A.
	PRIOR:			
DATE: 04-07	WITH INSULATION	X	OPTION LIST	482913
REV.: B	WITHOUT INSULATION			

PREVOST *Le Mirage XL*



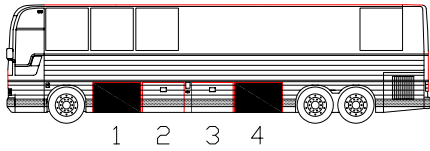
EXTERIOR VIEW

NOTE:

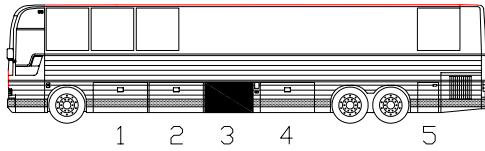
- LARGE LUGGAGE DOOR FOR MTH 40'
- SMALL LUGGAGE DOOR FOR MTH 45'
- LARGE LUGGAGE DOOR FOR 45' ENT.

TOTAL PERFORATED AREA: 1.22 f ²	EFF : Y-7046		DOOR ASSY ONLY IN SERVICE PART	N.A.
	PRIOR:			
DATE: 04-07	WITH INSULATION		OPTION LIST	482915
REV.: B	WITHOUT INSULATION	X		

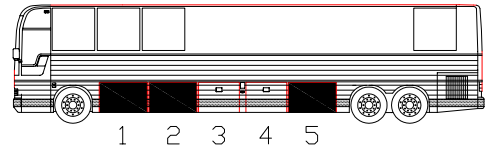
PREVOST Le Mirage XL



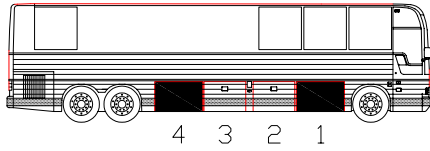
1 2 3 4



1 2 3 4 5



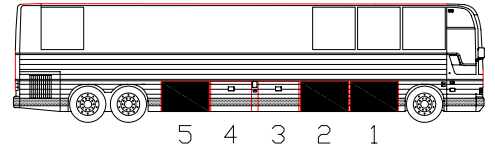
1 2 3 4 5



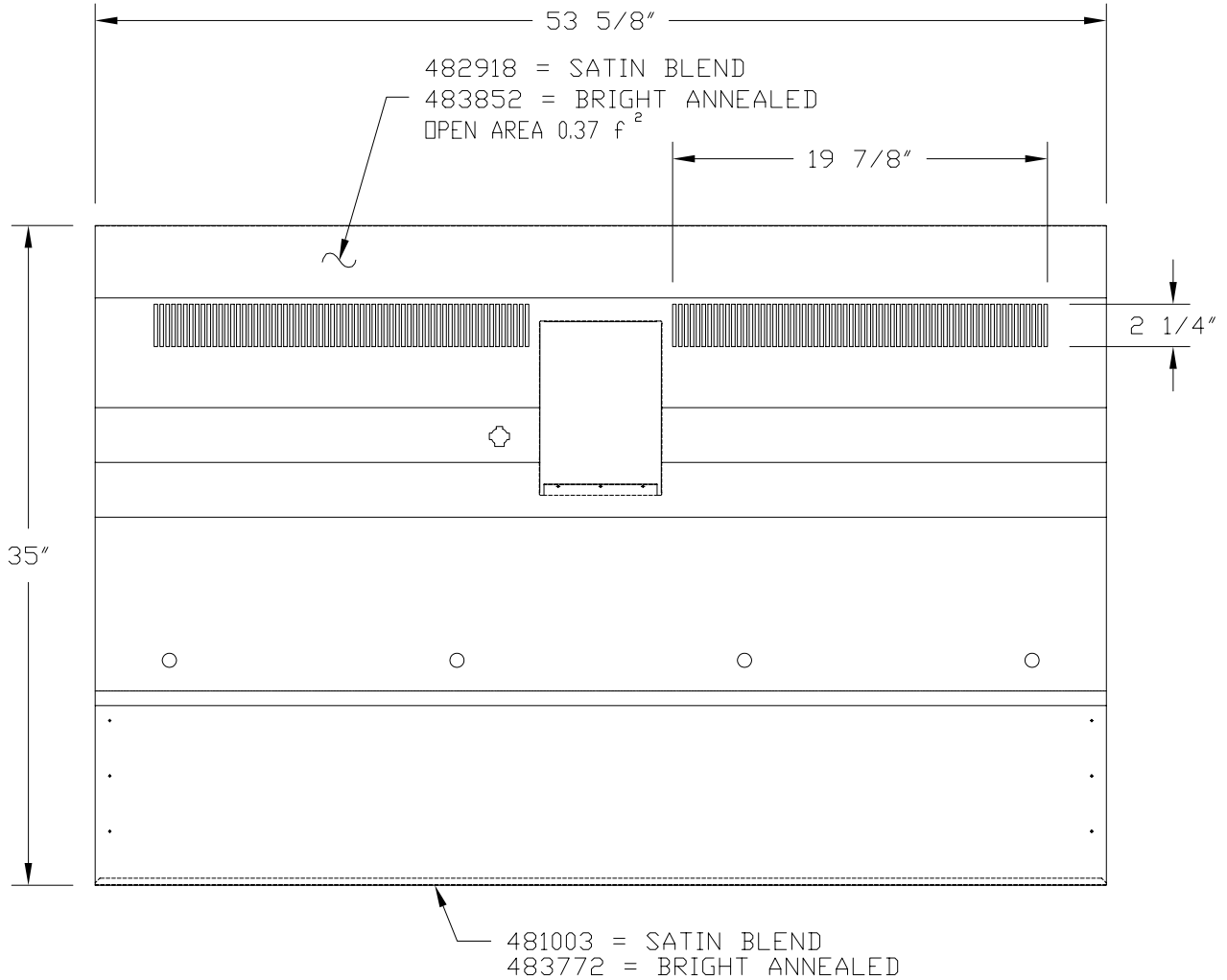
4 3 2 1
MTH. 40'



5 4 3 2 1
MTH. 45'



5 4 3 2 1
45' ENT.



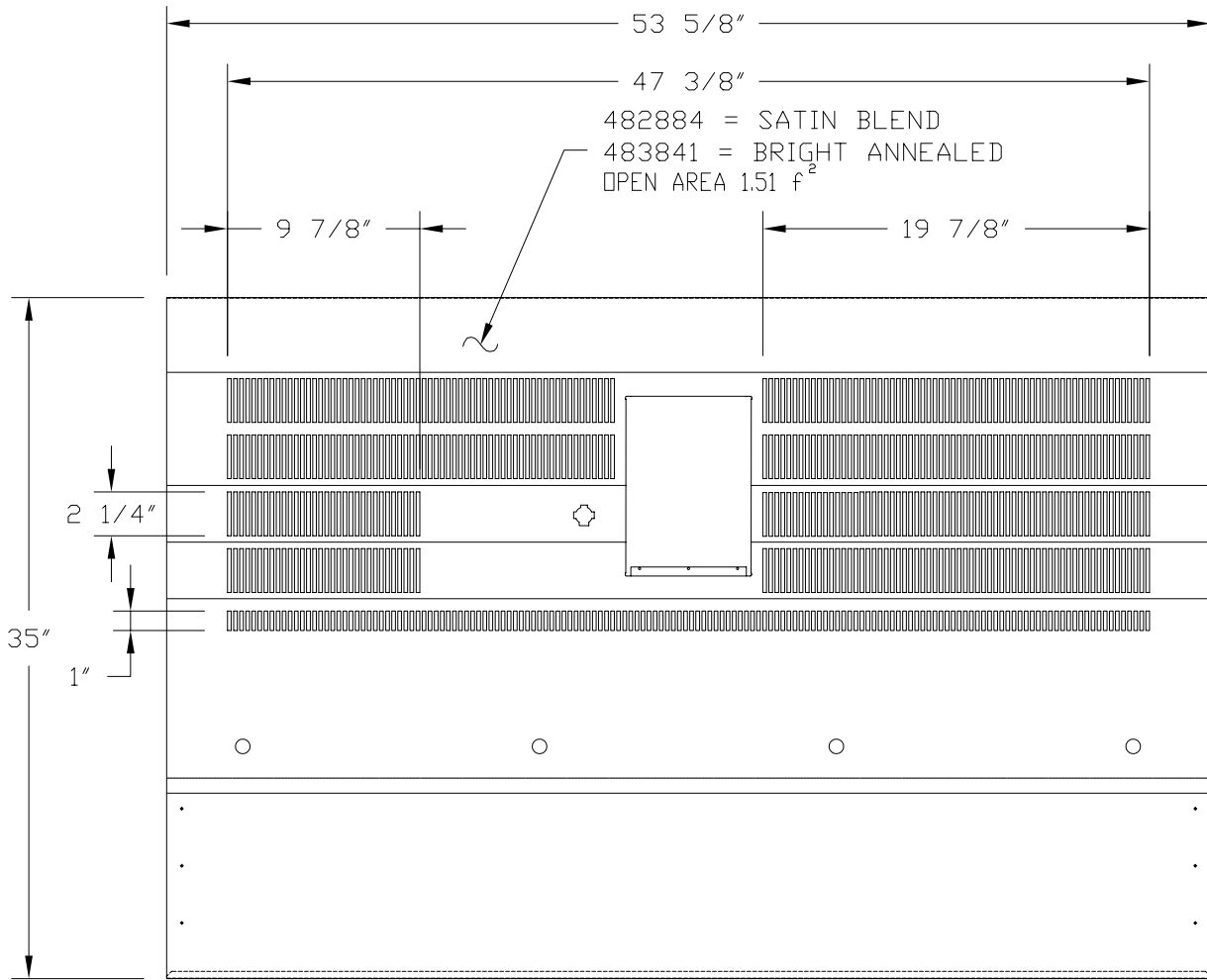
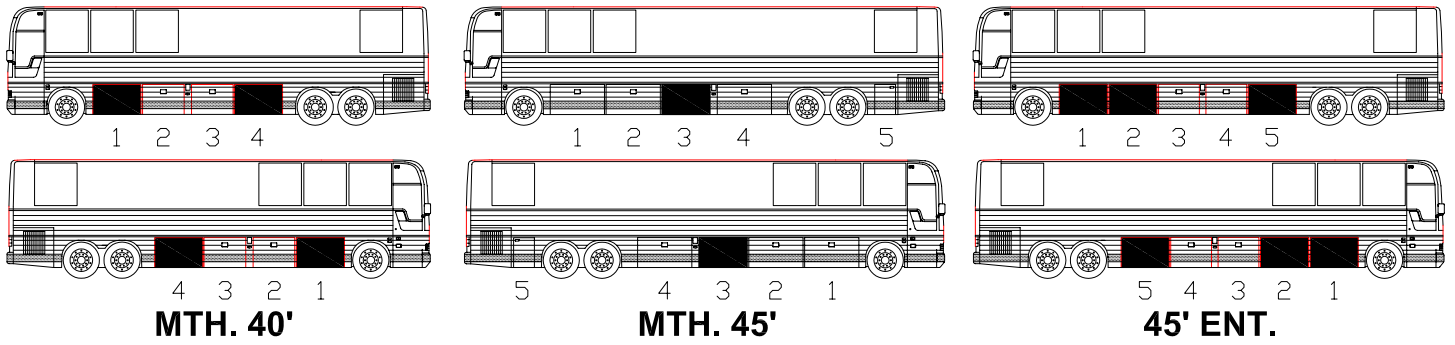
EXTERIOR VIEW

NOTE:

- LARGE LUGGAGE DOOR FOR MTH 40'
- SMALL LUGGAGE DOOR FOR MTH 45'
- LARGE LUGGAGE DOOR FOR 45' ENT.

TOTAL PERFORATED AREA: 0.37 f ²	EFF : Y-7046		DOOR ASSY ONLY IN SERVICE PART	N.A.
	PRIOR:			
DATE: 04-07	WITH INSULATION		OPTION LIST	482917
REV.: B	WITHOUT INSULATION	X		

PREVOST *Le Mirage XL*



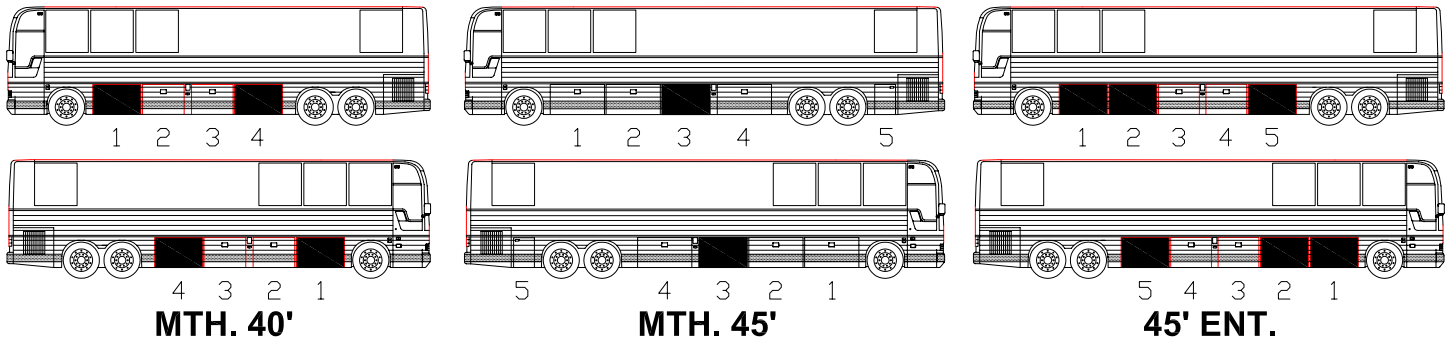
EXTERIOR VIEW

NOTE:

- LARGE LUGGAGE DOOR FOR MTH 40'
- SMALL LUGGAGE DOOR FOR MTH 45'
- LARGE LUGGAGE DOOR FOR 45' ENT.

TOTAL PERFORATED AREA: 1.51 f ²	EFF : Y-7046		DOOR ASSY ONLY IN SERVICE PART	N.A.
	PRIOR:			
DATE: 04-07	WITH INSULATION		OPTION LIST	482920
REV. : B	WITHOUT INSULATION	X		

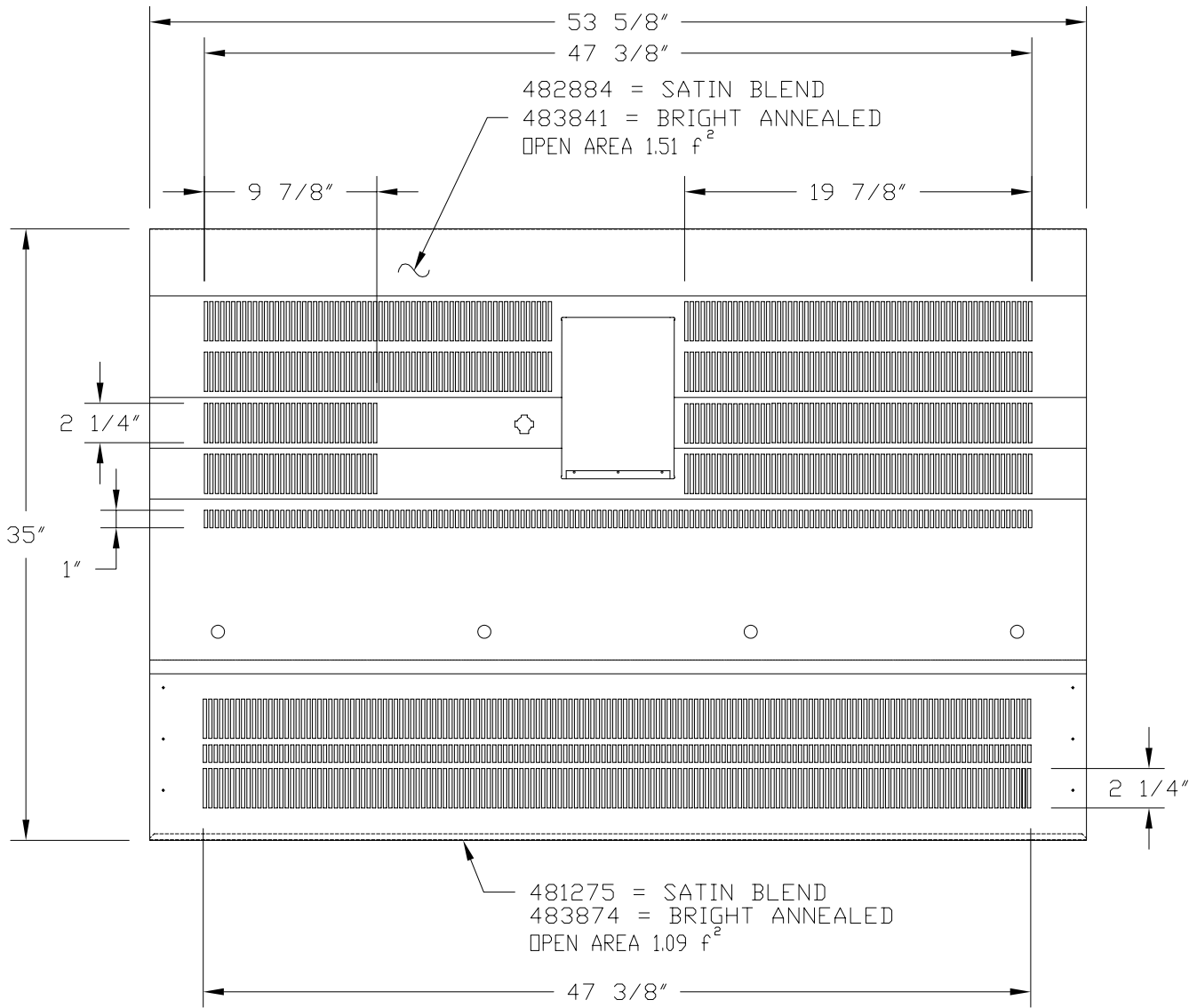
PREVOST Le Mirage XL



MTH. 40'

MTH. 45'

45' ENT.



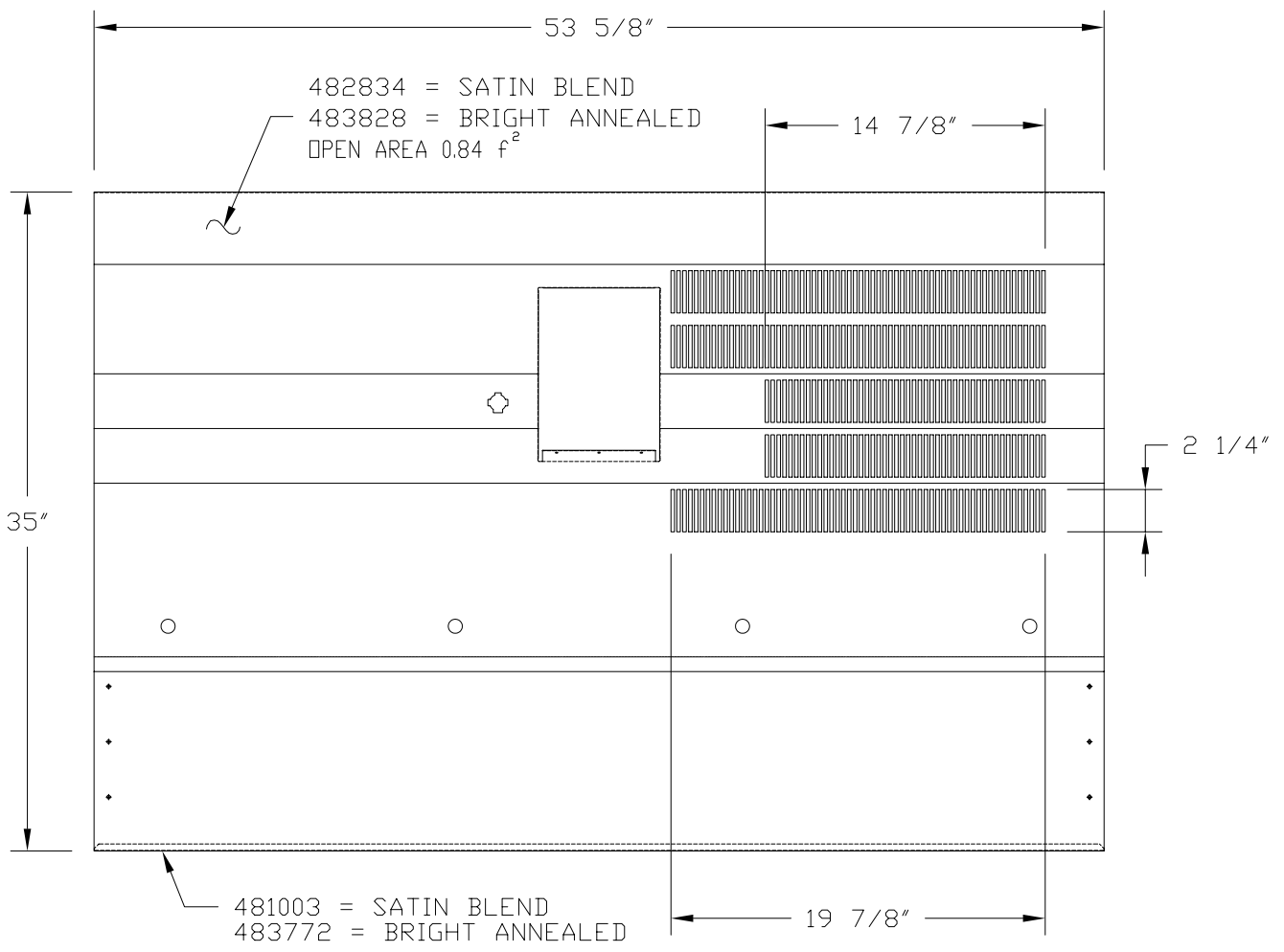
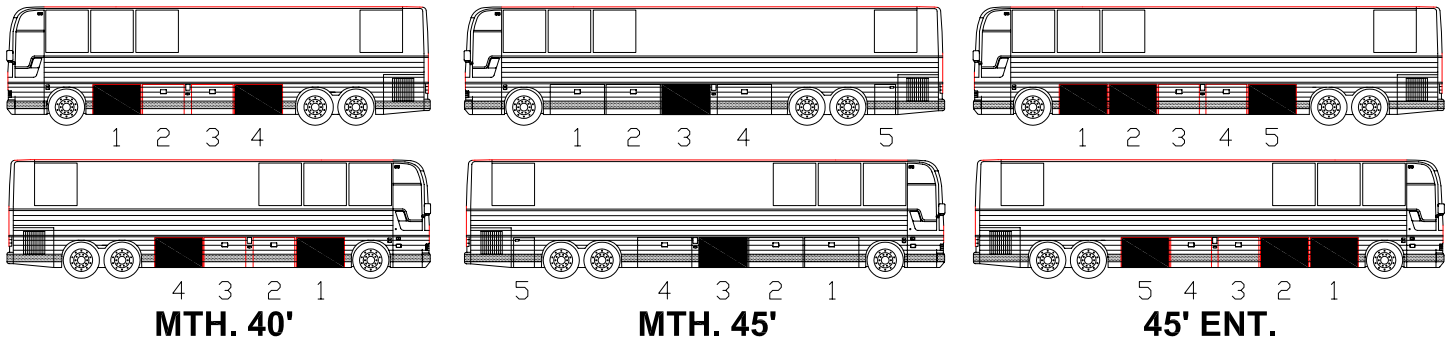
EXTERIOR VIEW

NOTE:

- LARGE LUGGAGE DOOR FOR MTH 40'
- SMALL LUGGAGE DOOR FOR MTH 45'
- LARGE LUGGAGE DOOR FOR 45' ENT.

TOTAL PERFORATED AREA: 2.60 f ²	EFF : Y-7046		DOOR ASSY ONLY IN SERVICE PART	N.A.
	PRIOR:			
DATE: 04-07	WITH INSULATION		OPTION LIST	482922
REV. : B	WITHOUT INSULATION	X		

PREVOST Le Mirage XL

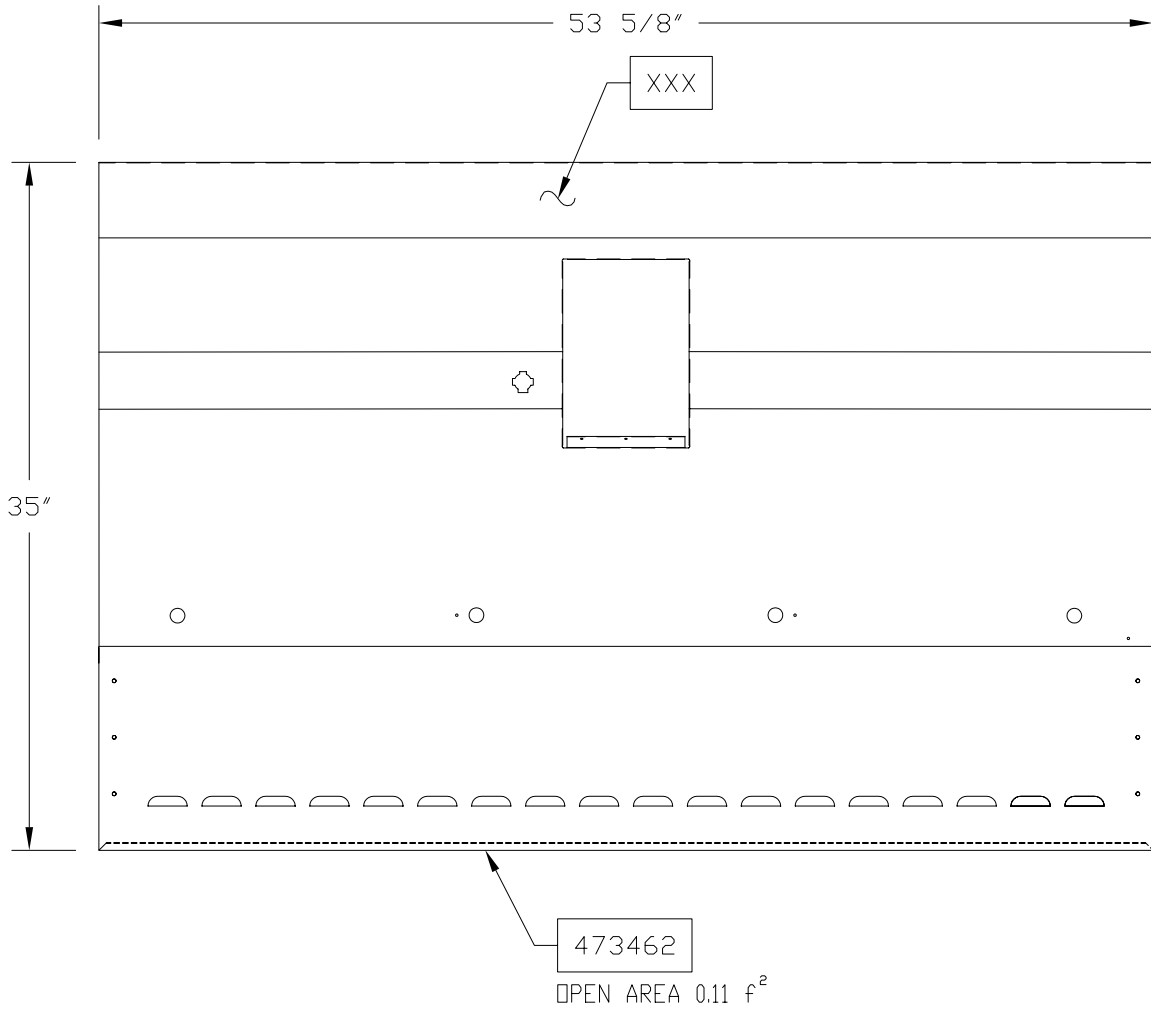
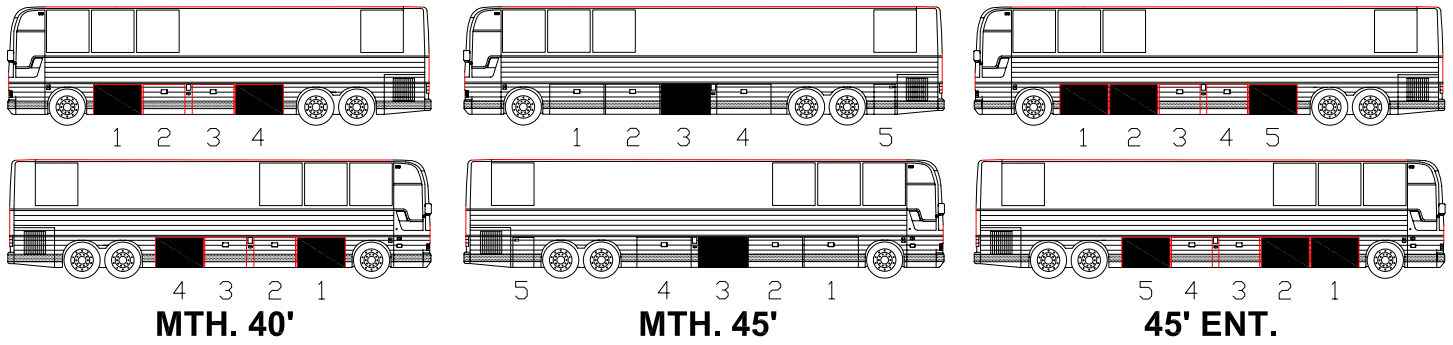


EXTERIOR VIEW

- NOTE:**
- LARGE LUGGAGE DOOR FOR MTH 40'
 - SMALL LUGGAGE DOOR FOR MTH 45'
 - LARGE LUGGAGE DOOR FOR 45' ENT.

TOTAL PERFORATED AREA: 0.84 f ²	EFF : Y-7046		DOOR ASSY ONLY IN SERVICE PART	N.A.
	PRIOR:			
DATE: 04-07	WITH INSULATION		OPTION LIST	482931
REV. : B	WITHOUT INSULATION	X		

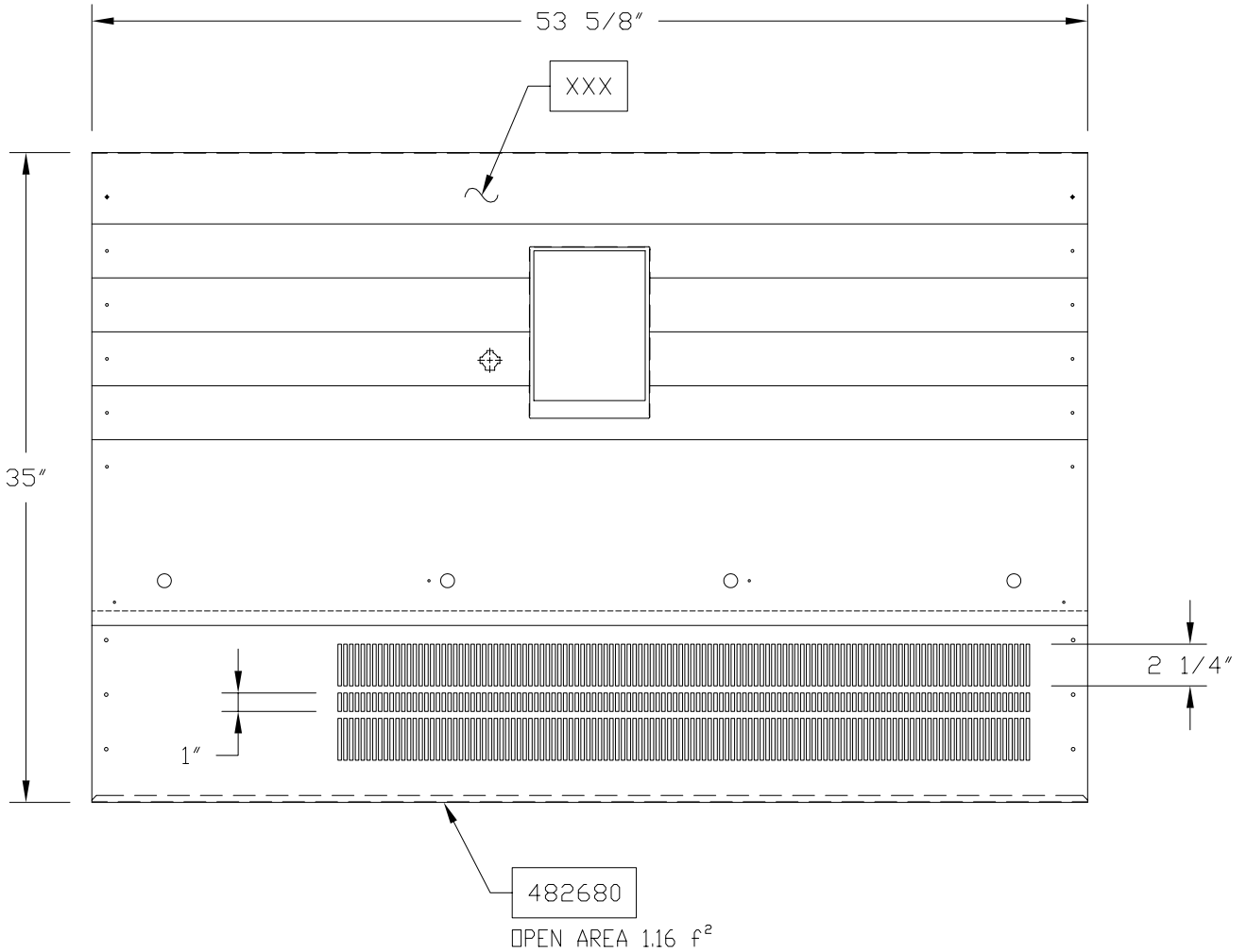
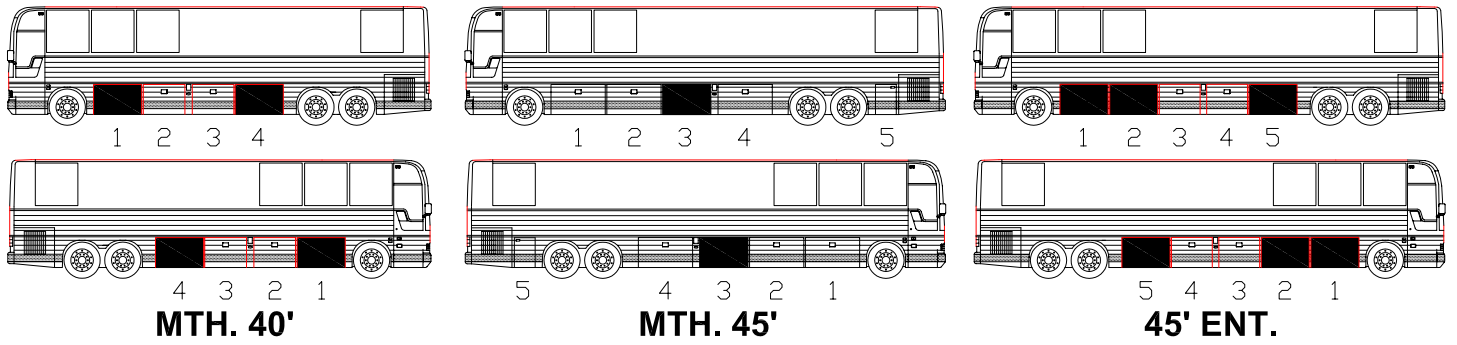
PREVOST Le Mirage XL III



NOTE:
 -LARGE LUGGAGE DOOR FOR MTH 40'
 -SMALL LUGGAGE DOOR FOR MTH 45'
 -LARGE LUGGAGE DOOR FOR 45' ENT.

TOTAL PERFORATED AREA: 0.11 f ²	EFF : Y-7046	SERVICE PART ONLY	473462
	PRIOR:		
DATE: 04-07	WITH INSULATION	OPTION LIST	4753D2
REV.: A	WITHOUT INSULATION X		

PREVOST Le Mirage XL III



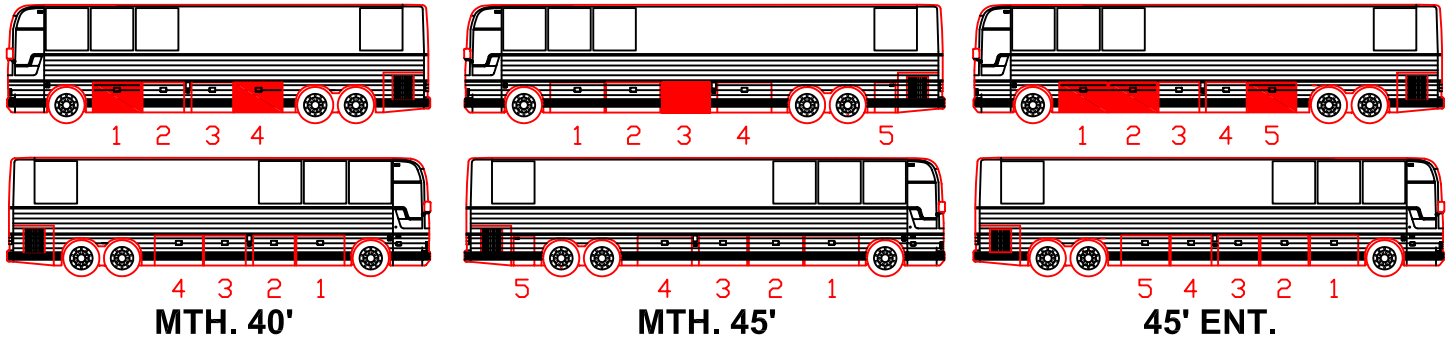
EXTERIOR VIEW

NOTE:

- LARGE LUGGAGE DOOR FOR MTH 40'
- LARGE LUGGAGE DOOR FOR 45' ENT.
- SMALL LUGGAGE DOOR FOR MTH 45'

TOTAL PERFORATED AREA: 1.16 f ²	EFF : Y-7045	SERVICE PART ONLY	482680
	PRIOR:		
DATE: 04-07	WITH INSULATION	OPTION LIST	4753E2
REV.: A	WITHOUT INSULATION		

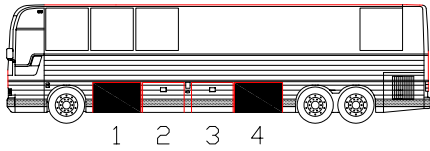
PREVOST. *Le Mirage* XL



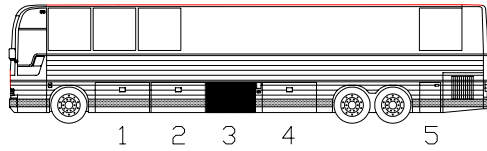
53" BAGGAGE DOORS HINGE - "SLIDE-OUT"

WITH OPTION LIST	UPPER PANEL	LOWER PANEL	PERFORATED AREA F ²	INSULATION	SATIN BLEND SS	BRIGHT SS
4753A	483654	483659	1.09	X	X	
4753A	483866	483912	1.09	X		X
4753B	483654	483655	NO	X	X	
4753B	483866	483911	NO	X		X
4753C	483808	483659	2.60		X	
4753C	483870	483912	2.60			X
4753C1	484001	484000	NO	X		X
4753C1	484089	483911	NO	X		X
4753C2	485457	485456	2.60			X
DOTTED AREAS ARE NOT IN PRODUCTION AT TIME OF PRINTING.				DATE: 07-04	REV.: C	

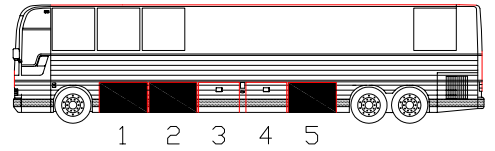
PREVOST Le Mirage XL



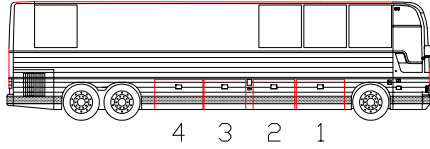
1 2 3 4



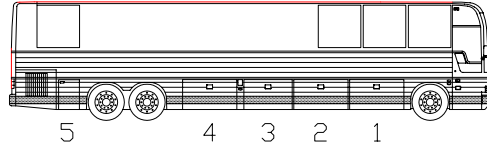
1 2 3 4 5



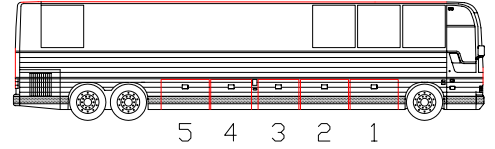
1 2 3 4 5



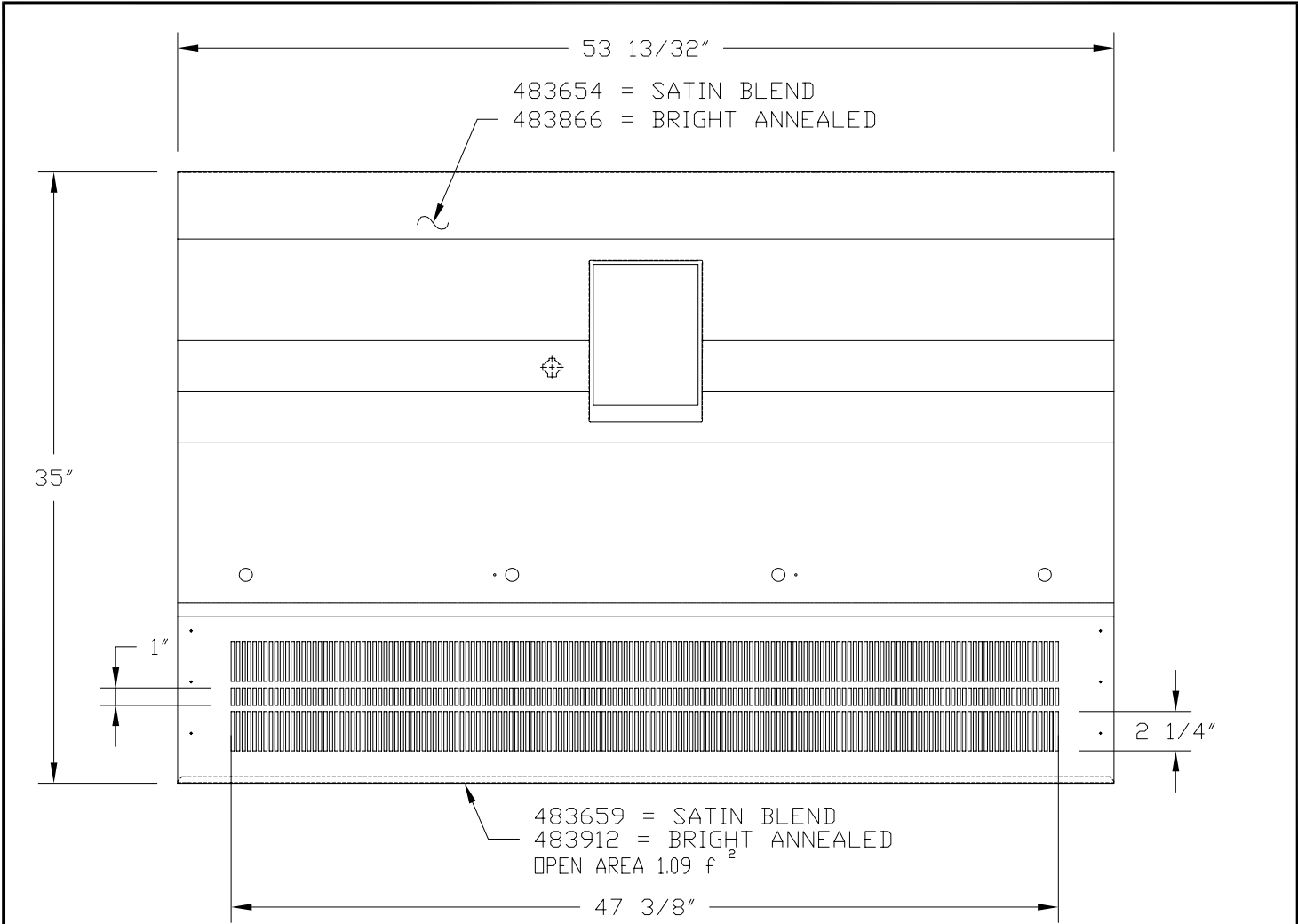
MTH. 40'



MTH. 45'



45' ENT.

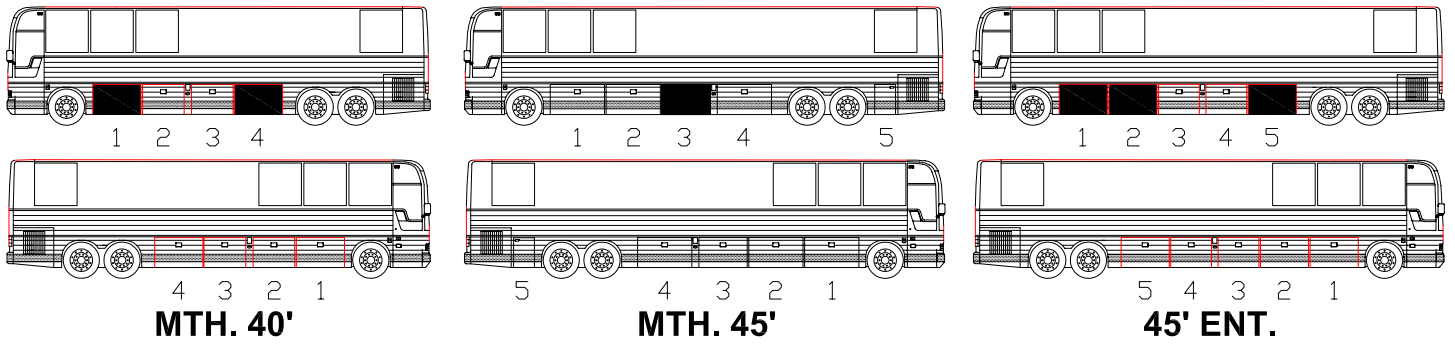


EXTERIOR VIEW

NOTE:
-BAGGAGE DOOR WITH HINGE

TOTAL PERFORATED AREA: 1.09 f ²	EFF : 2-7761		DOOR ASSY ONLY IN SERVICE PART	N.A.
	PRIOR:			
DATE: 04-07	WITH INSULATION	X	REFERENCE ONLY	4753A
REV. : B	WITHOUT INSULATION			

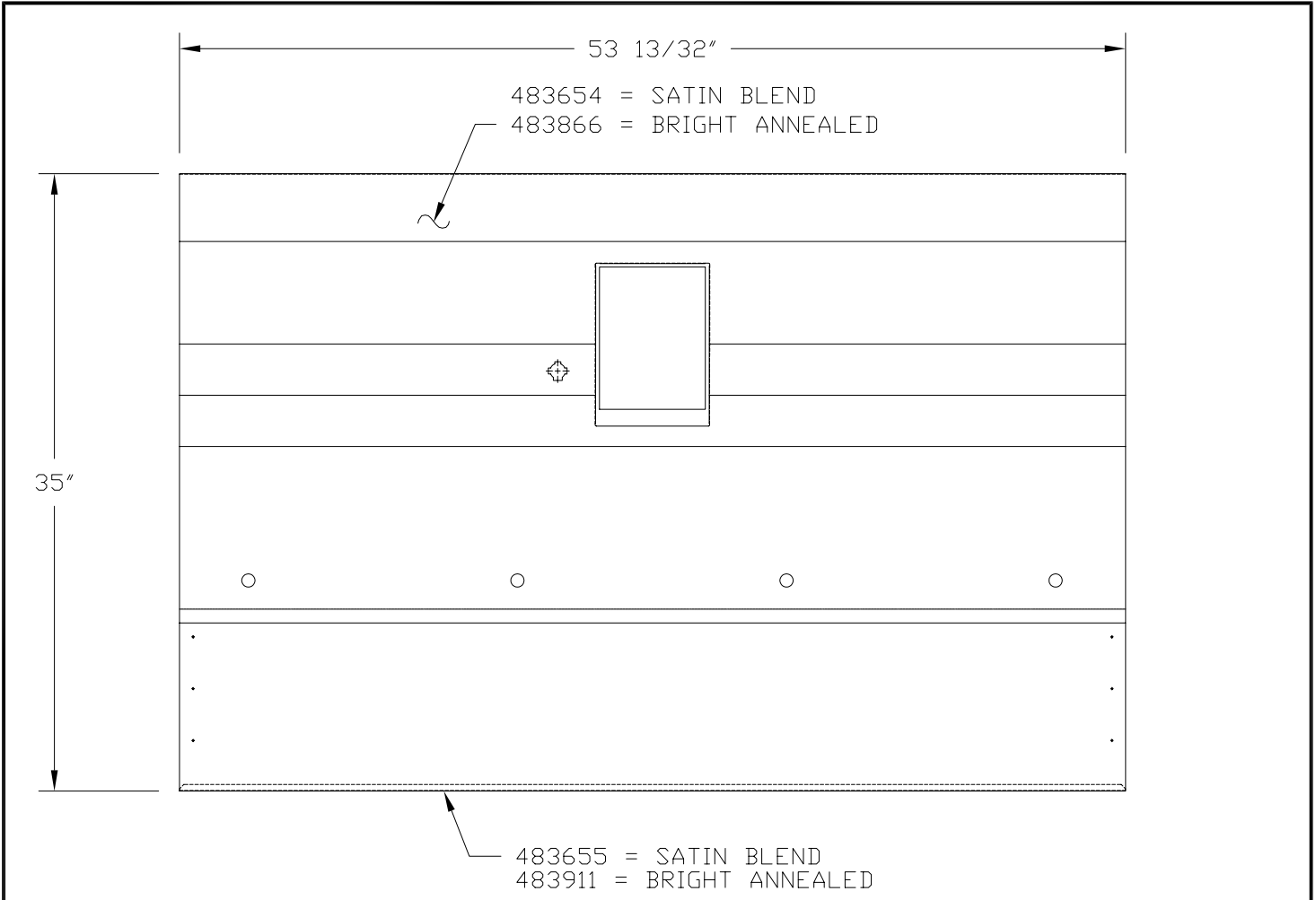
PREVOST® *Le Mirage XL*



MTH. 40'

MTH. 45'

45' ENT.

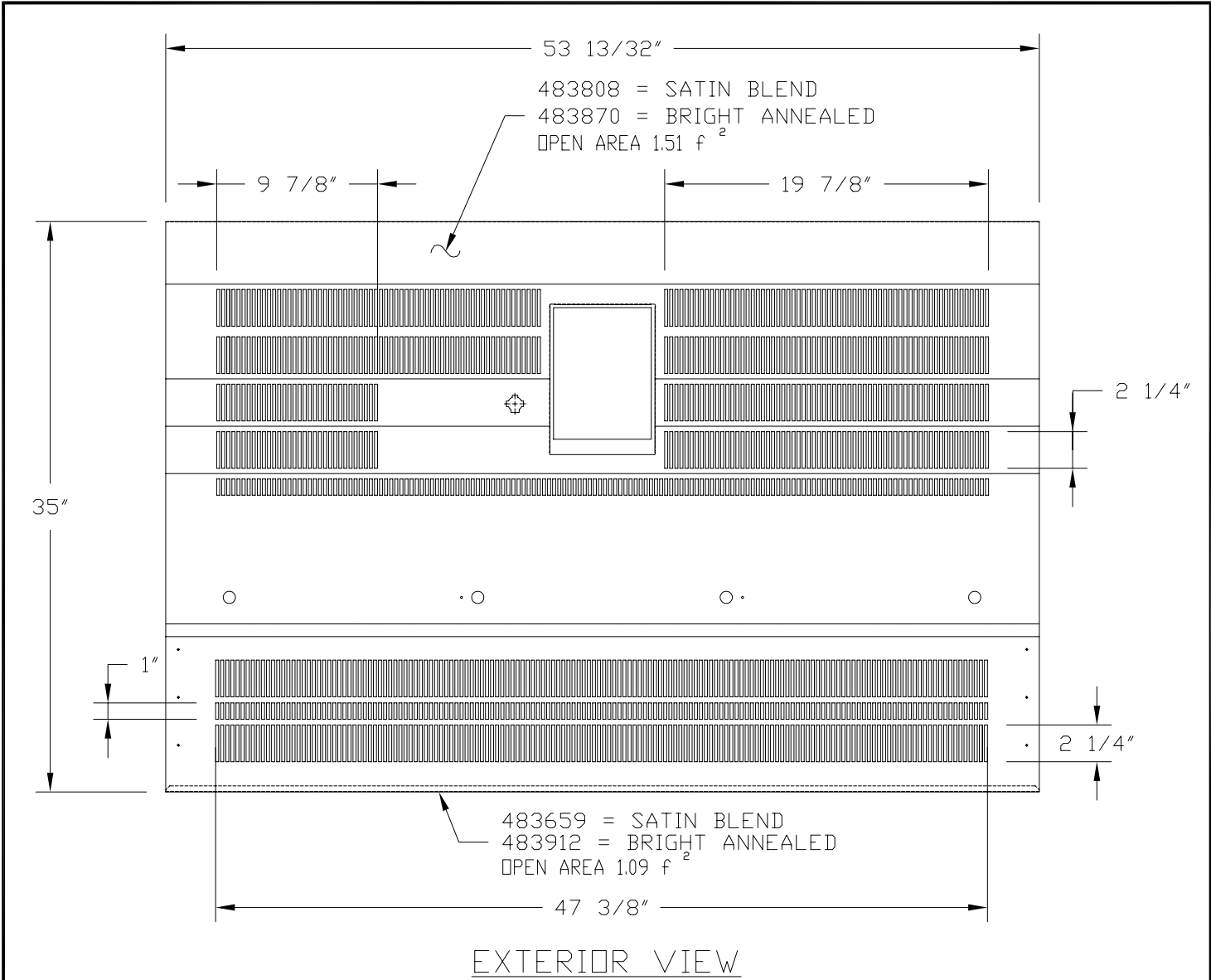
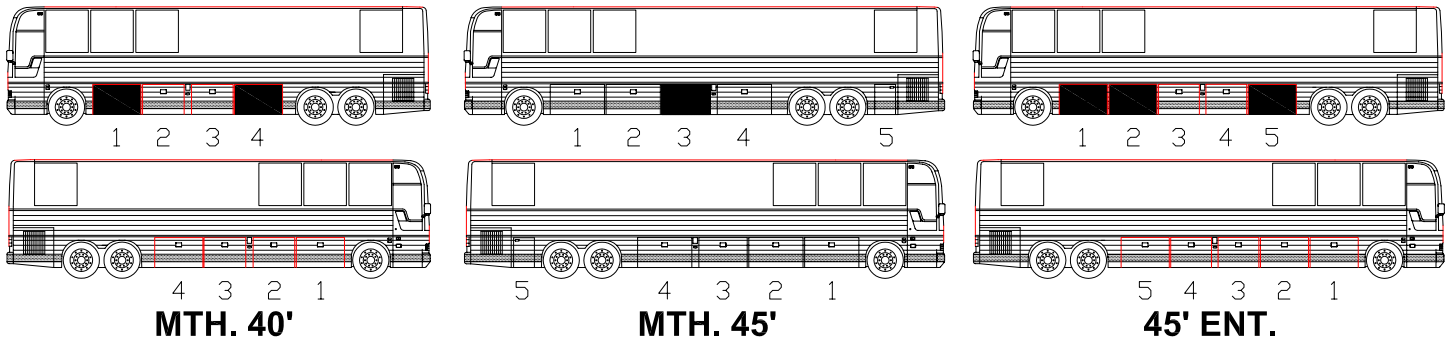


EXTERIOR VIEW

NOTE:
-BAGGAGE DOOR WITH HINGE

TOTAL PERFORATED AREA: 0.00 f ²	EFF : 2-7761		DOOR ASSY ONLY IN SERVICE PART	N.A.
	PRIOR:			
DATE: 04-07	WITH INSULATION	X	REFERENCE ONLY	4753B
REV. : B	WITHOUT INSULATION			

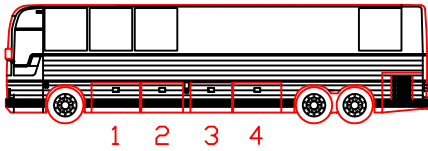
PREVOST *Le Mirage XL*



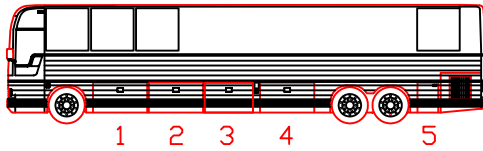
NOTE:
-BAGGAGE DOOR WITH HINGE

TOTAL PERFORATED AREA: 2.60 f ²	EFF : 2-7761		DOOR ASSY ONLY IN SERVICE PART	N.A.
	PRIOR:			
DATE: 04-07	WITH INSULATION		REFERENCE ONLY	4753C
REV. : B	WITHOUT INSULATION	X		

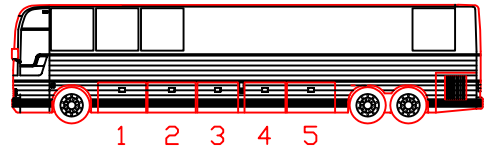
PREVOST. Le Mirage XL



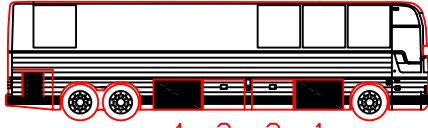
1 2 3 4



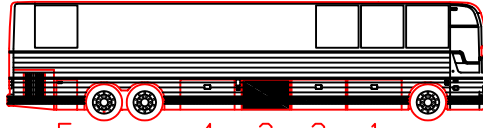
1 2 3 4 5



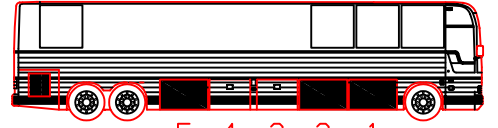
1 2 3 4 5



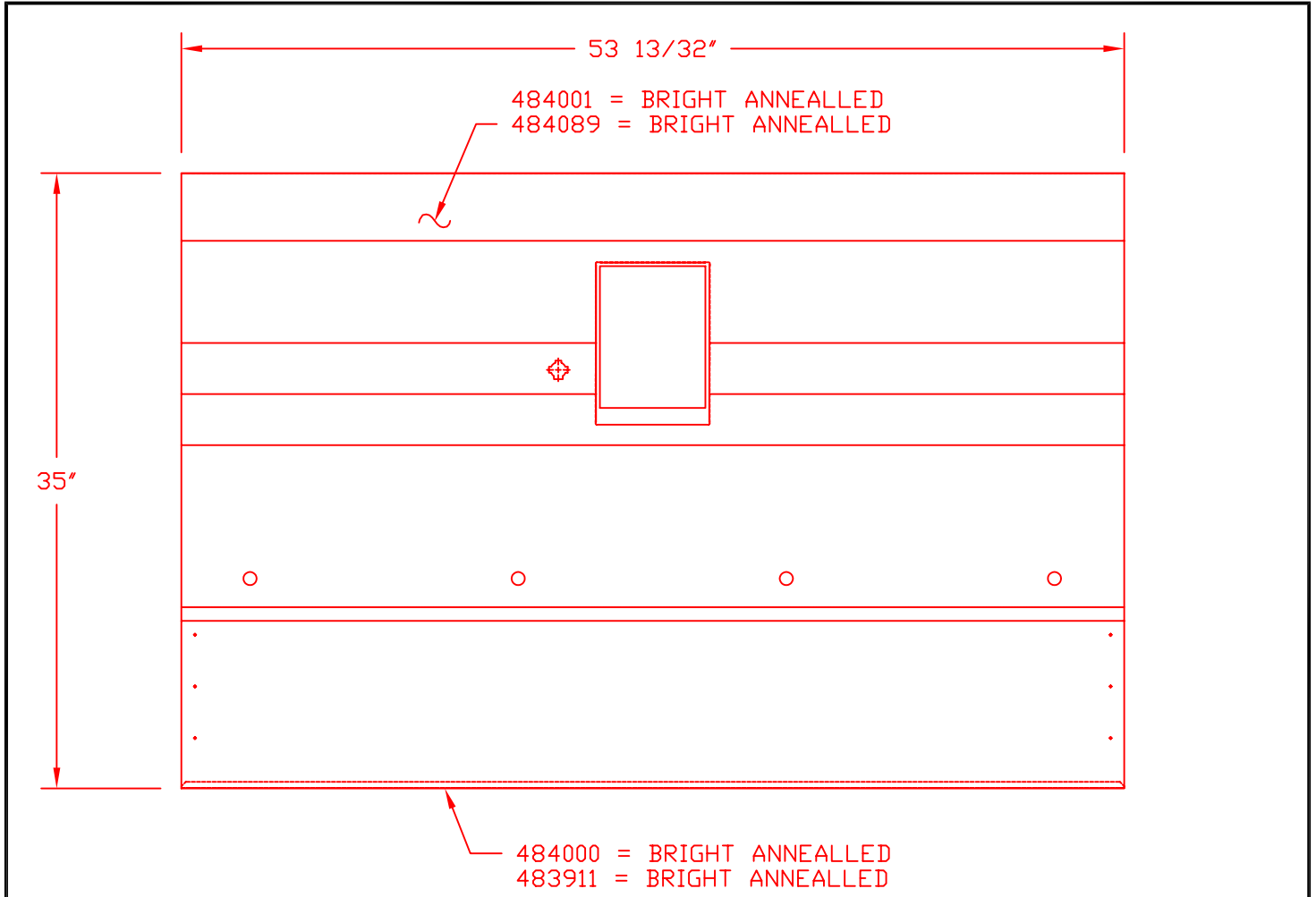
4 3 2 1
MTH. 40'



5 4 3 2 1
MTH. 45'



5 4 3 2 1
45' ENT.

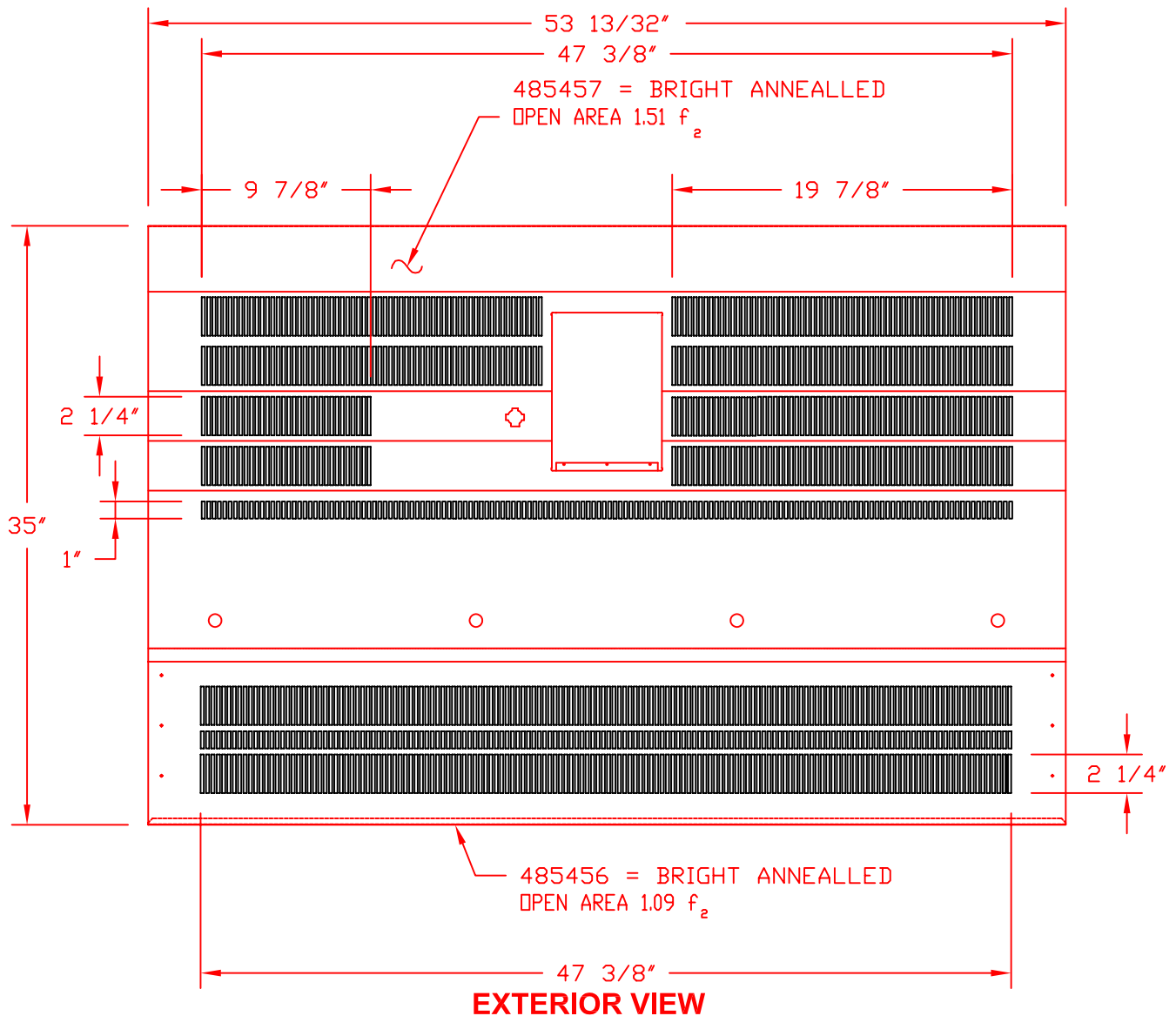
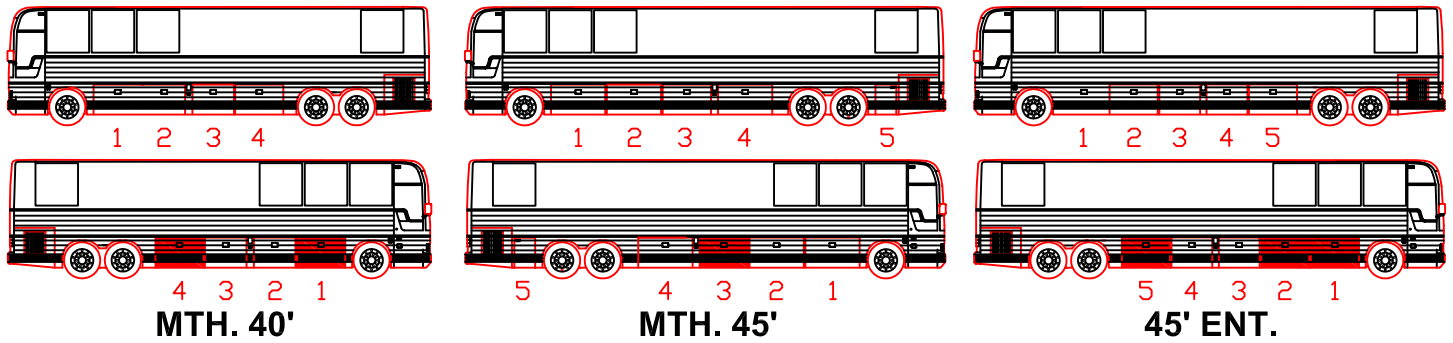


EXTERIOR VIEW

NOTE:
-BAGGAGE DOOR WITH HINGE

TOTAL PERFORATED AREA: 0.00 f ²	EFF : 2-7761	DOOR ASSY ONLY IN SERVICE PART	N.A.
	PRIOR:		
DATE: 07-04	WITH INSULATION	X	REFERENCE ONLY
REV. :	WITHOUT INSULATION		

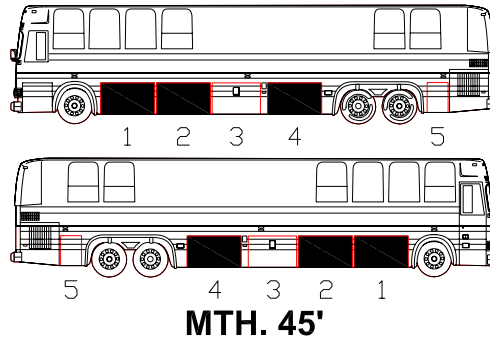
PREVOST. Le Mirage XL



NOTE:
 -LARGE LUGGAGE DOOR FOR MTH 40'
 -SMALL LUGGAGE DOOR FOR MTH 45'
 -LARGE LUGGAGE DOOR FOR 45' ENT.

TOTAL PERFORATED AREA: 2.60 f ²	EFF : Y-7046	DOOR ASSY ONLY IN SERVICE PART	N.A.
	PRIOR:		
DATE: 07-04	WITH INSULATION	OPTION LIST	4753C2
REV. :	WITHOUT INSULATION X		

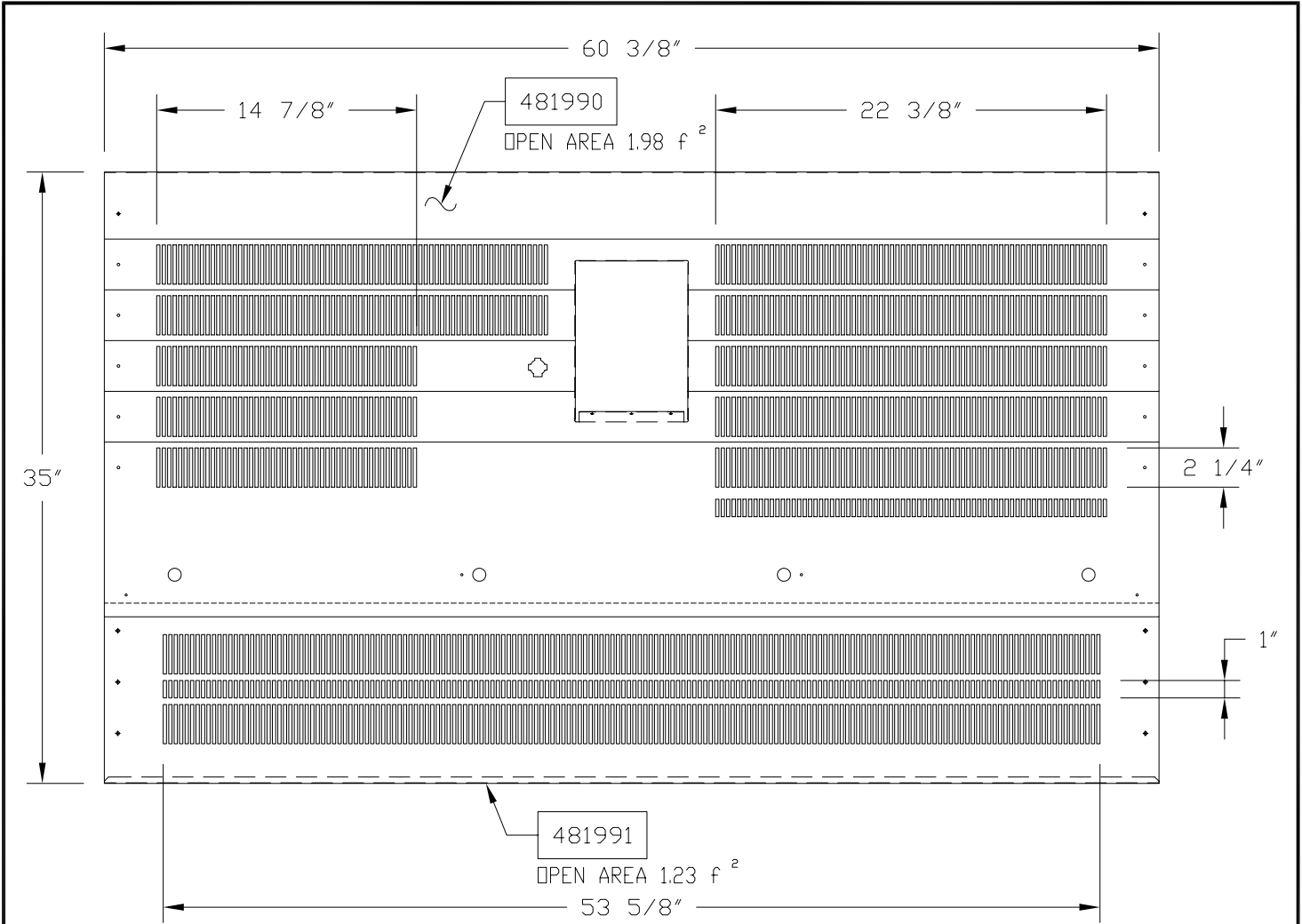
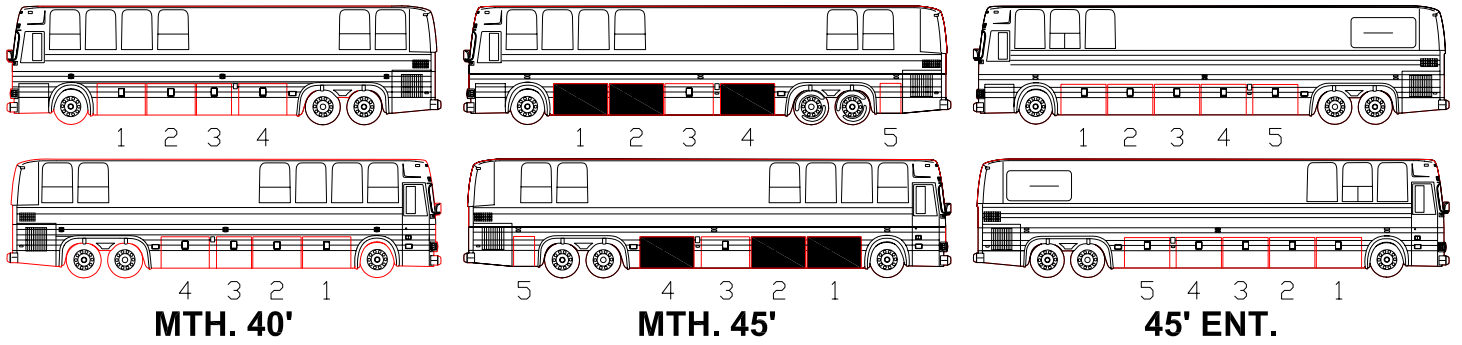
PREVOST® XL SERIES



60" BAGGAGE DOORS

OPTION LIST	UPPER PANEL	LOWER PANEL	PERFORATED AREA F ²	INSULATION	
481989	481990	481991	3.21		
481992	481993	481994	NO	X	
482095	482093	482094	0.50	X	
482100	482101	481994	1.67	X	
482104	481993	482103	1.25	X	
482147	482141	482140	4.91		SEE DRAWING
482157	481993	481991	1.22	X	
482190	482101	481991	2.88		
482191	482101	482103	2.91		
482198	482196	482197	2.82		
482272	481990	481994	1.98		
482655	482656	481991	2.29		
482795	482797	482800	0.63		
482796	482798	481991	2.33		
482812	482196	482813	1.81		
482814	482815	482816	1.58		
DOTTED AREAS ARE NOT IN PRODUCTION AT TIME OF PRINTING.				DATE: 99-12	REV.: A

PREVOST XL SERIES

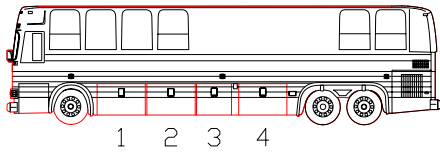


EXTERIOR VIEW

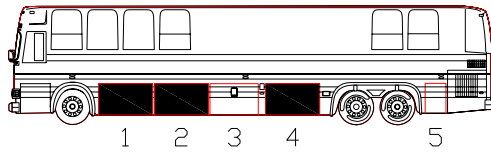
NOTE:
-LARGE LUGGAGE DOOR FOR MTH 45'

TOTAL PERFORATED AREA: 3.21 f ²	EFF : P-646	DOOR ASSY ONLY IN SERVICE PART	N.A.
	PRIOR: Y-7045		
DATE: 99-12	WITH INSULATION	OPTION LIST	481989
REV. : A	WITHOUT INSULATION X		

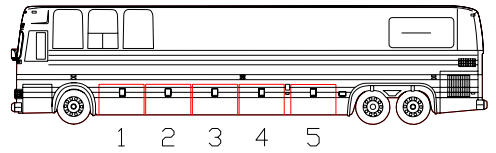
PREVOST XL SERIES



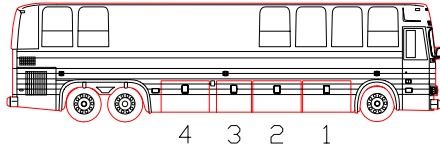
1 2 3 4



1 2 3 4 5

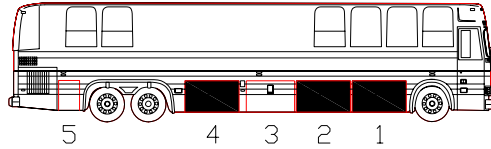


1 2 3 4 5



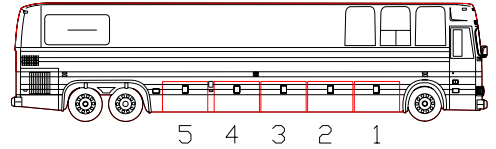
4 3 2 1

MTH. 40'



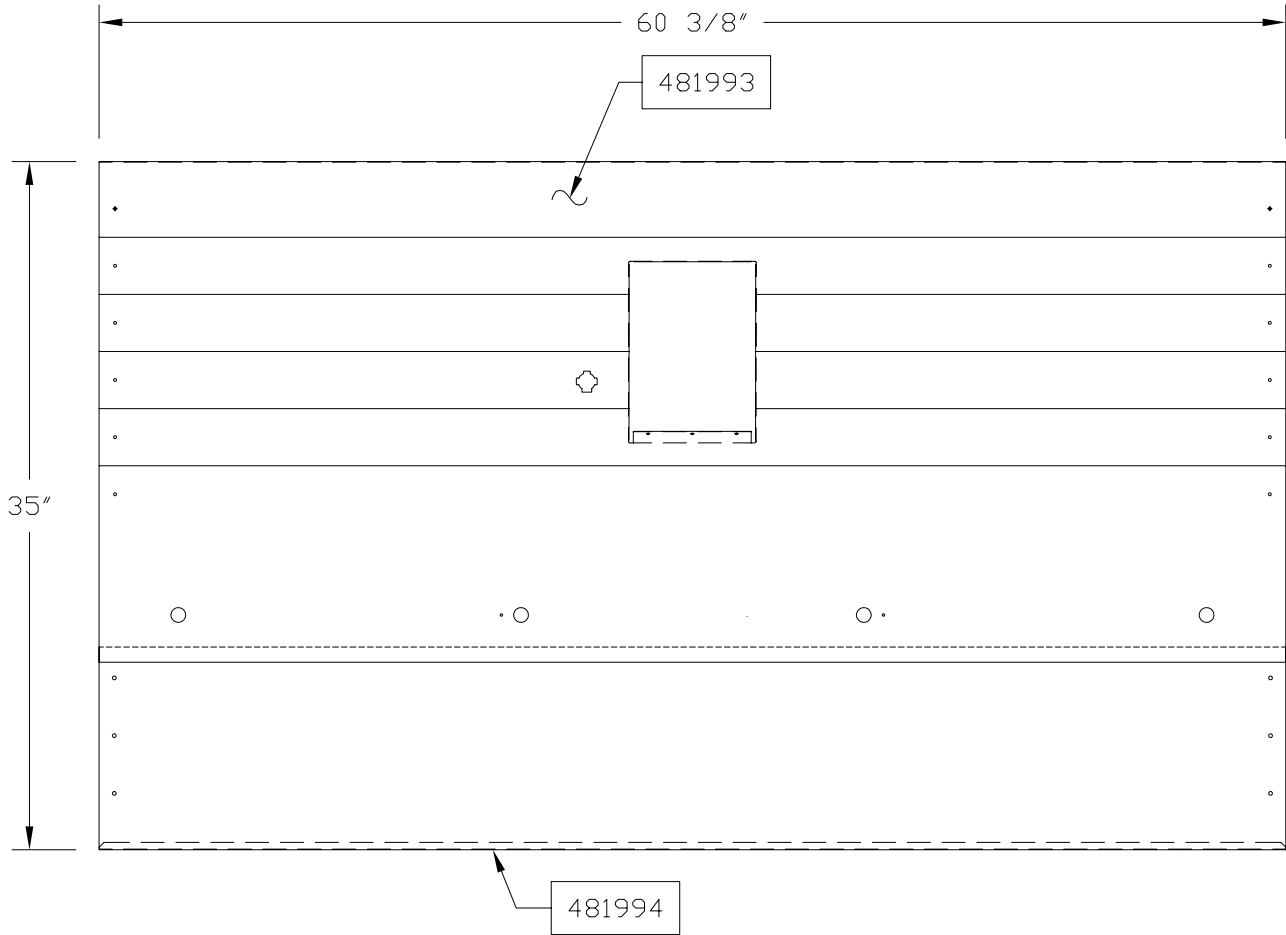
5 4 3 2 1

MTH. 45'



5 4 3 2 1

45' ENT.

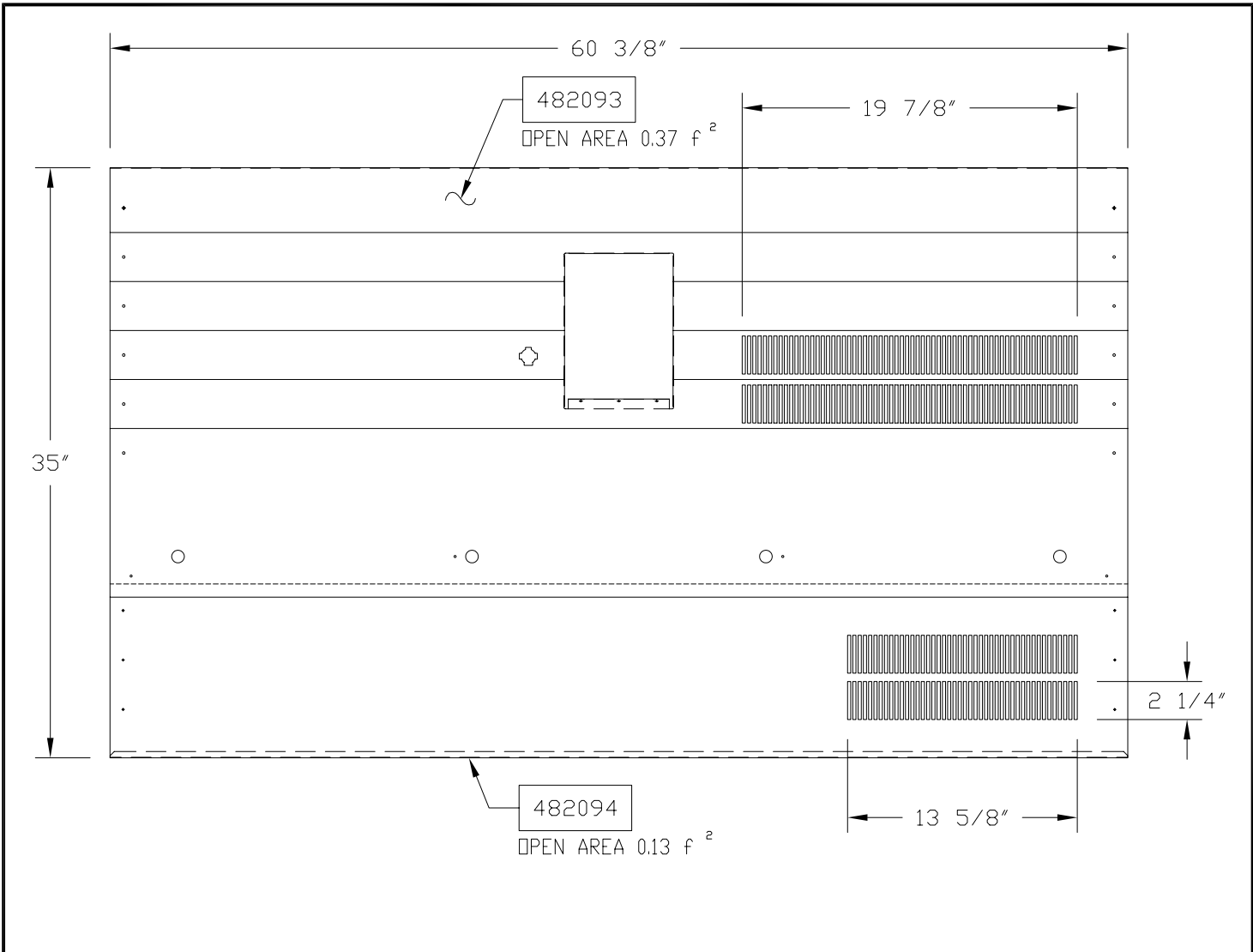
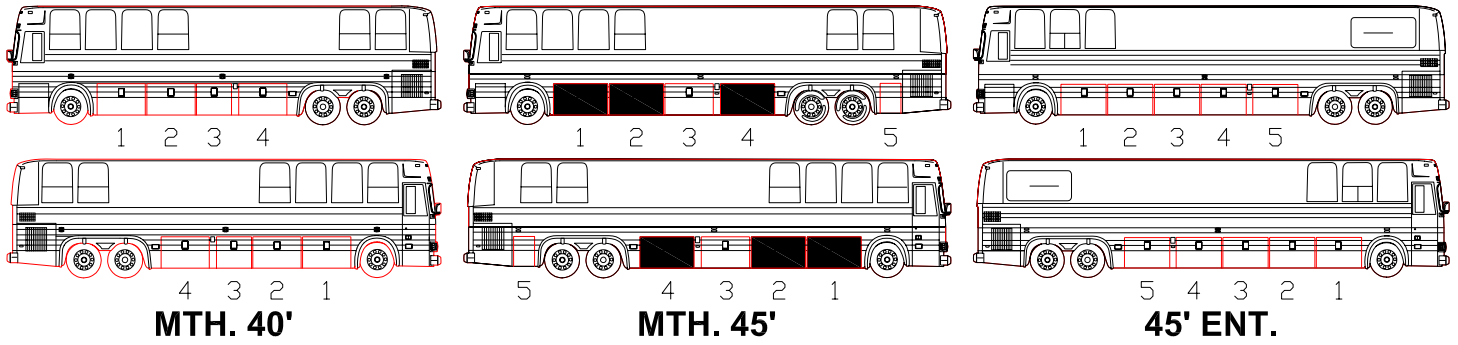


EXTERIOR VIEW

NOTE:
-LARGE LUGGAGE DOOR FOR MTH 45'

TOTAL PERFORATED AREA: 0000 f ²	EFF : P-646		DOOR ASSY ONLY IN SERVICE PART	482205
	PRIOR: Y-7045			
DATE: 99-12	WITH INSULATION	X	OPTION LIST	481992
REV. : A	WITHOUT INSULATION			

PREVOST XL SERIES

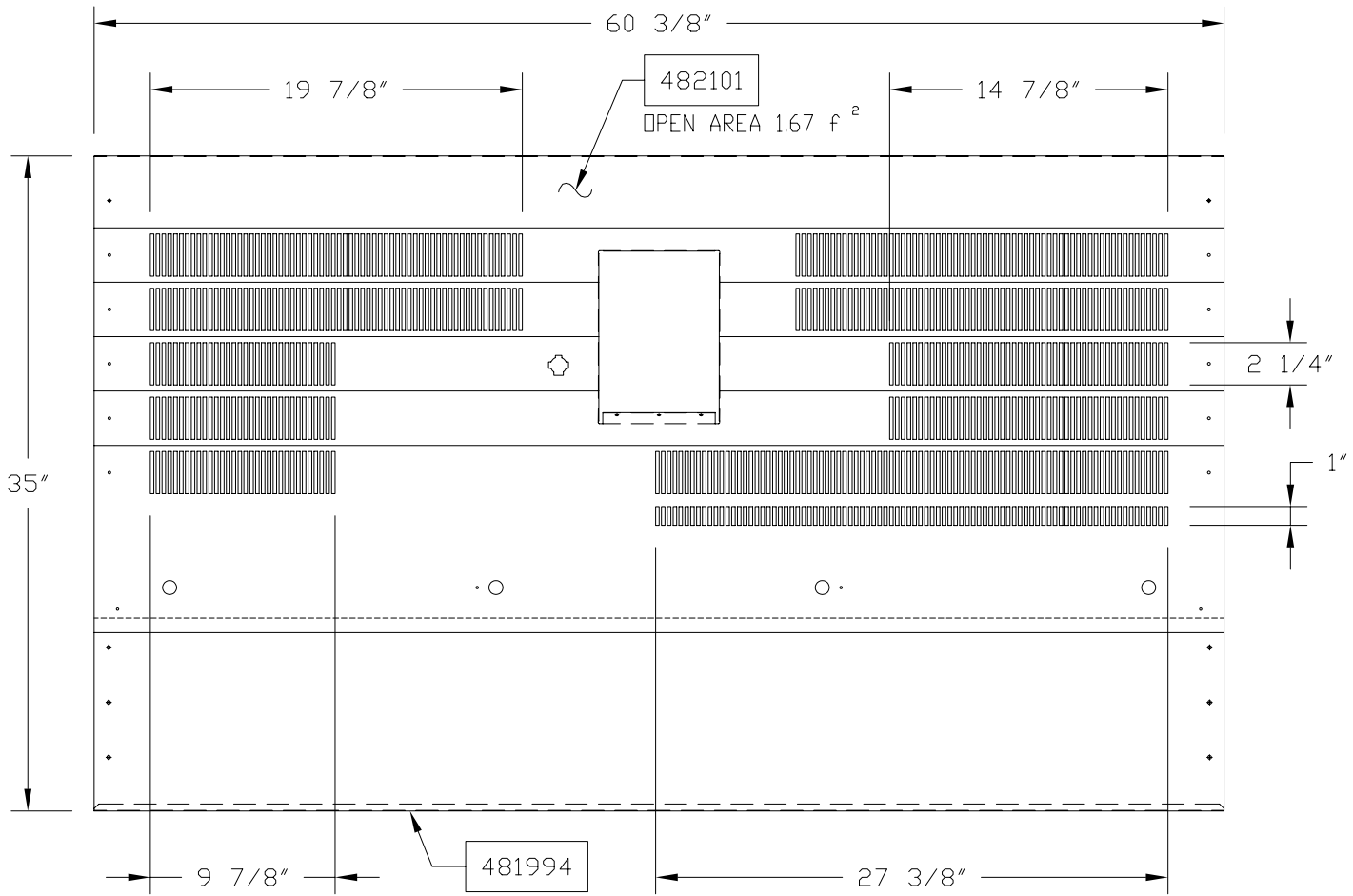
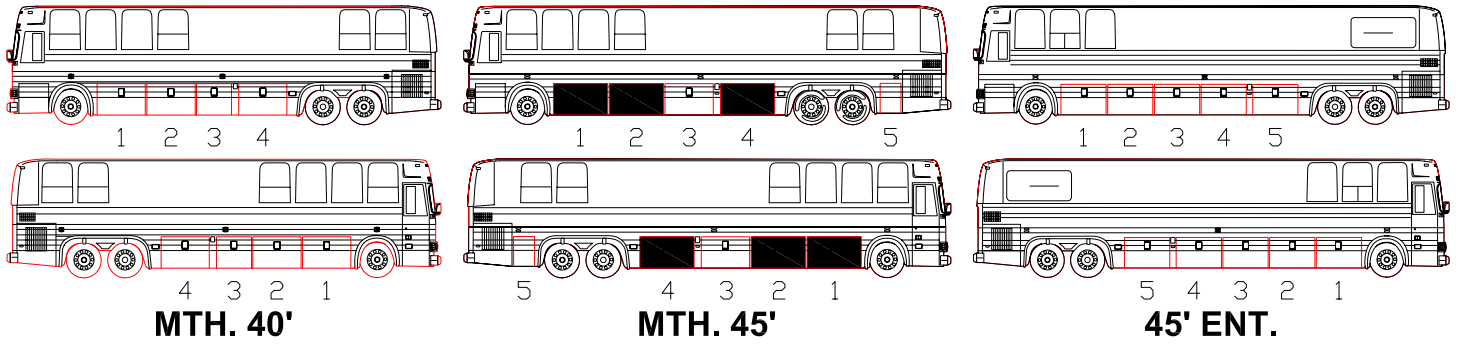


EXTERIOR VIEW

NOTE:
-LARGE LUGGAGE DOOR FOR MTH 45'

TOTAL PERFORATED AREA: 0.50 f ²	EFF : P-646		DOOR ASSY ONLY IN SERVICE PART	N.A.
	PRIOR: Y-7045			
DATE: 99-12	WITH INSULATION	X	OPTION LIST	482095
REV. : A	WITHOUT INSULATION			

PREVOST XL SERIES

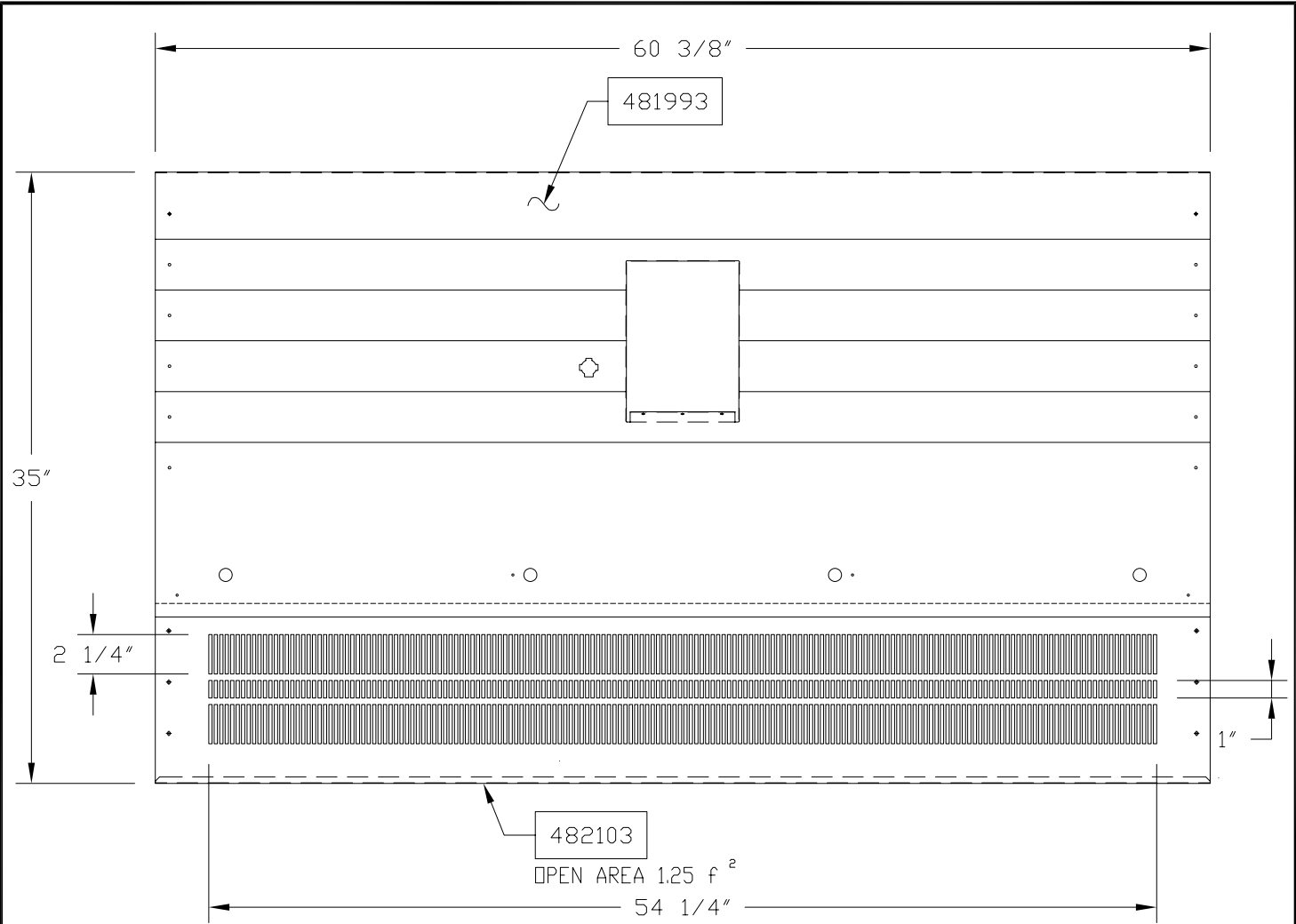
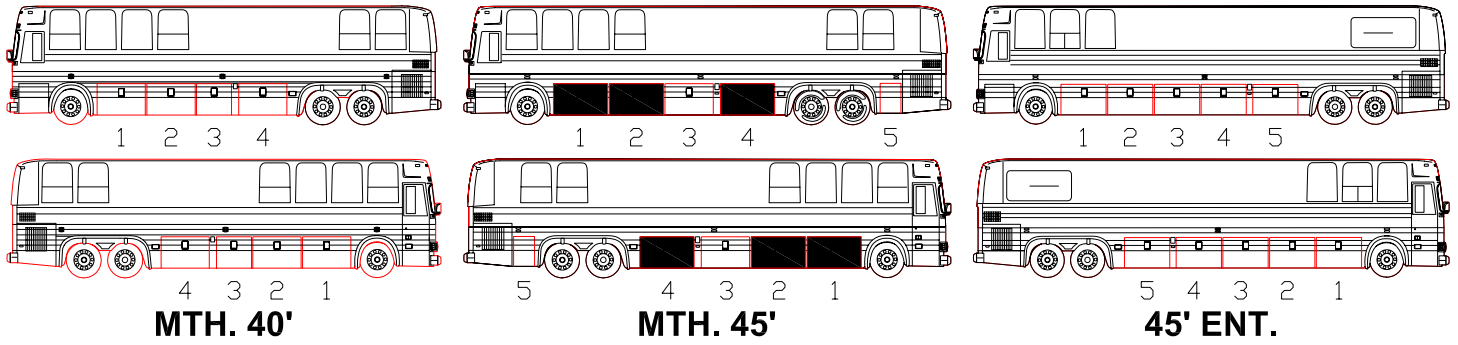


EXTERIOR VIEW

NOTE:
-LARGE LUGGAGE DOOR FOR MTH 45'

TOTAL PERFORATED AREA: 1.67 f ²	EFF : P-646		DOOR ASSY ONLY IN SERVICE PART	N.A.
	PRIOR: Y-7045			
DATE: 99-12	WITH INSULATION	X	OPTION LIST	482100
REV.: A	WITHOUT INSULATION			

PREVOST XL SERIES

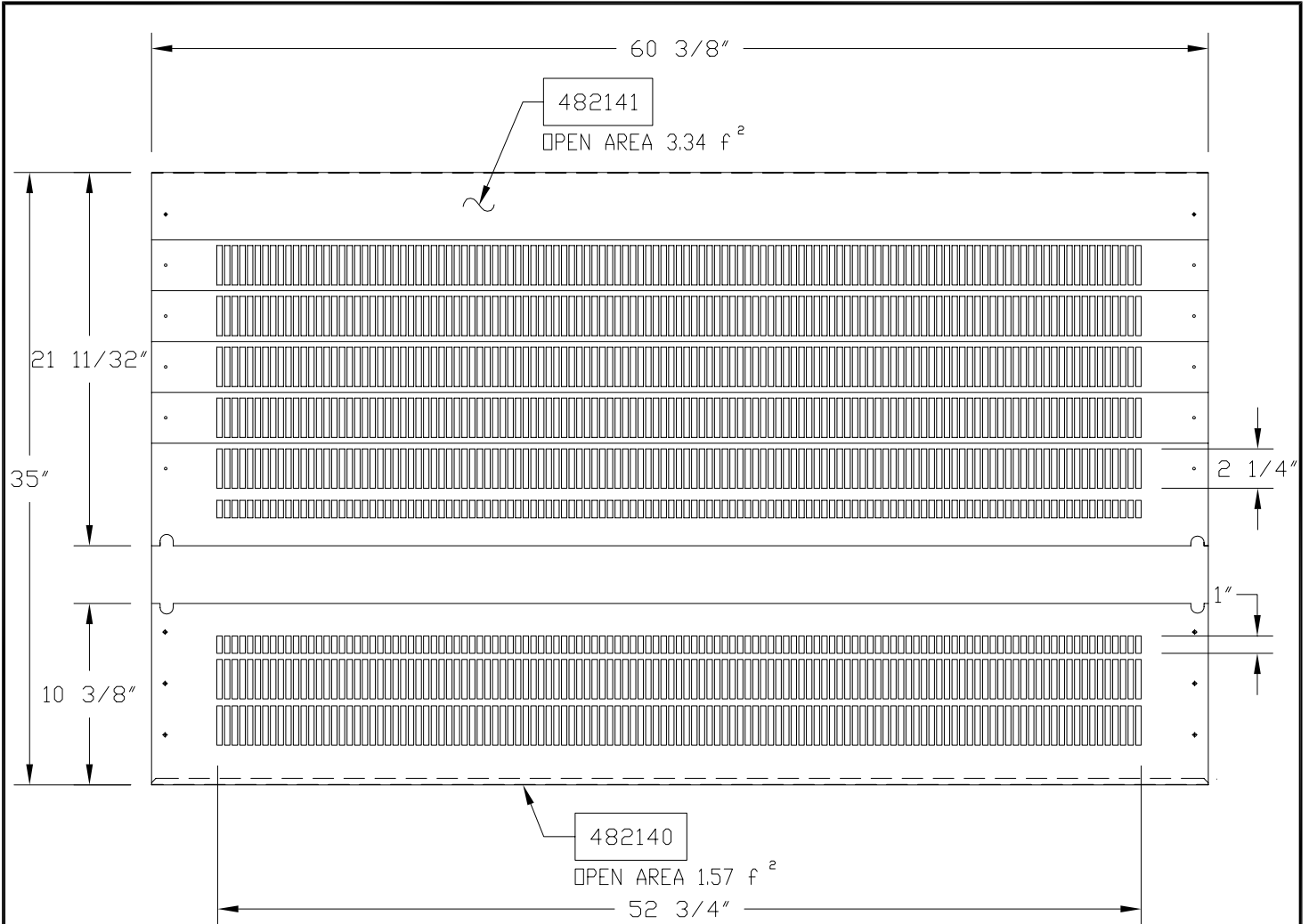
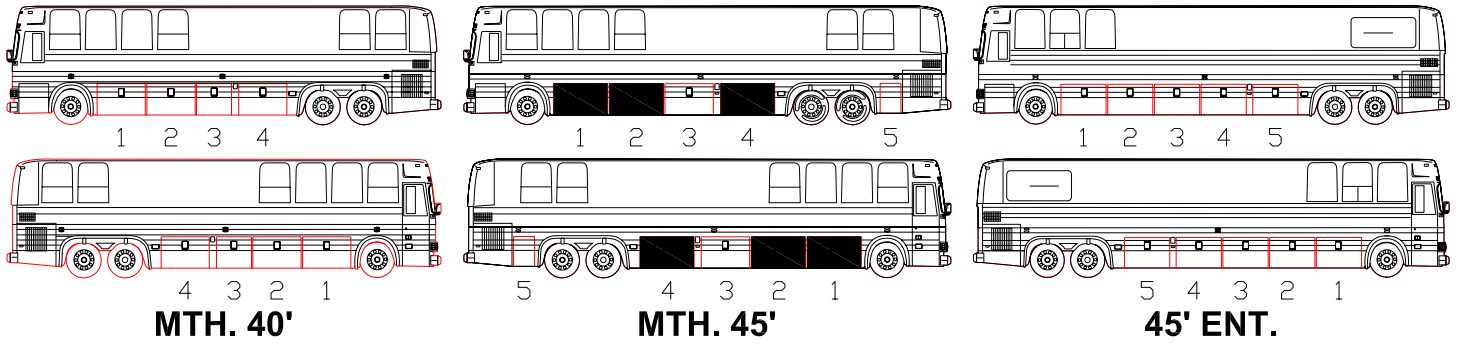


EXTERIOR VIEW

NOTE:
-LARGE LUGGAGE DOOR FOR MTH 45'

TOTAL PERFORATED AREA: 1.25 f ²	EFF : P-646		DOOR ASSY ONLY IN SERVICE PART	N.A.
	PRIOR: Y-7045			
DATE: 99-12	WITH INSULATION	X	OPTION LIST	482104
REV. : A	WITHOUT INSULATION			

PREVOST XL SERIES

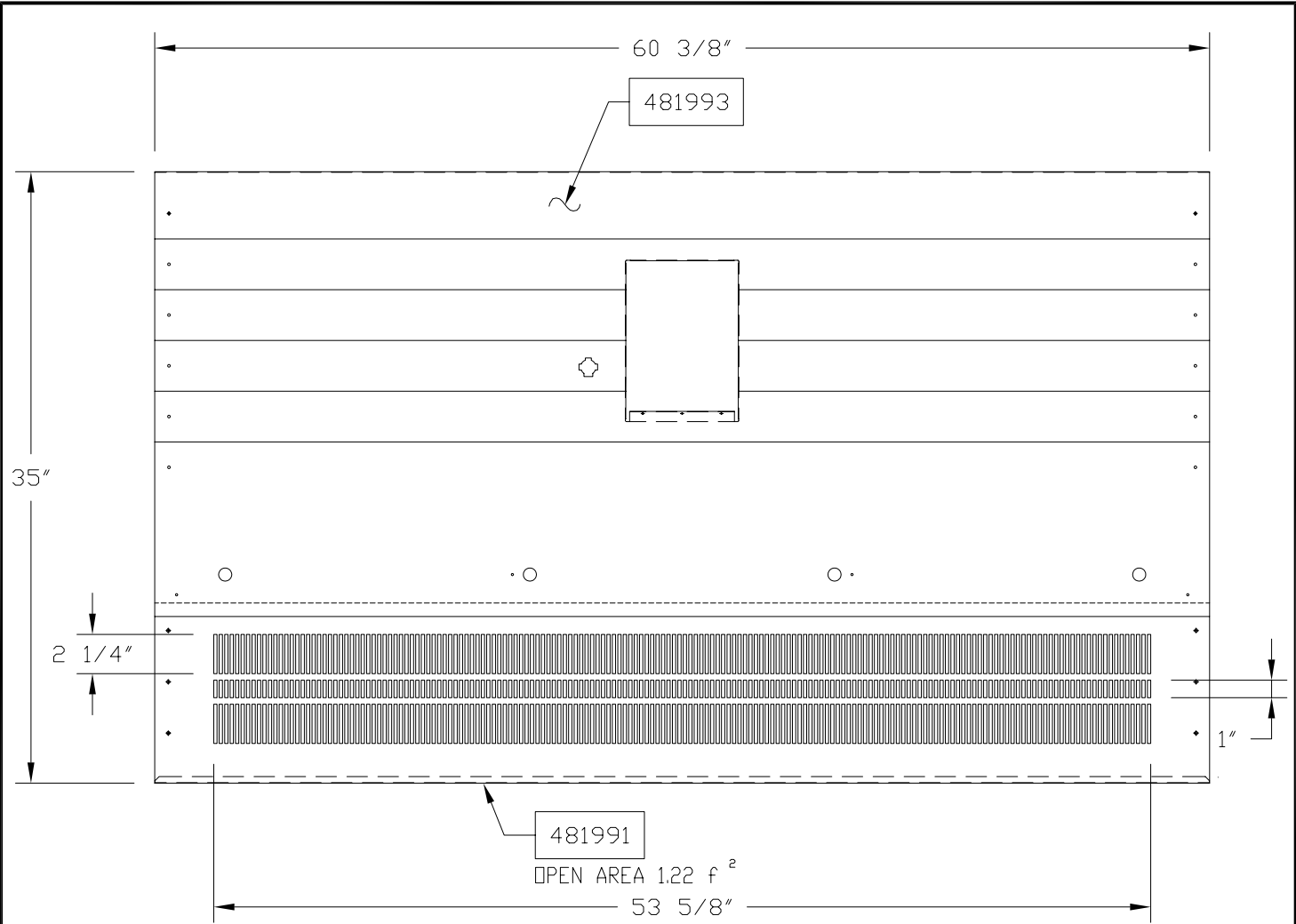
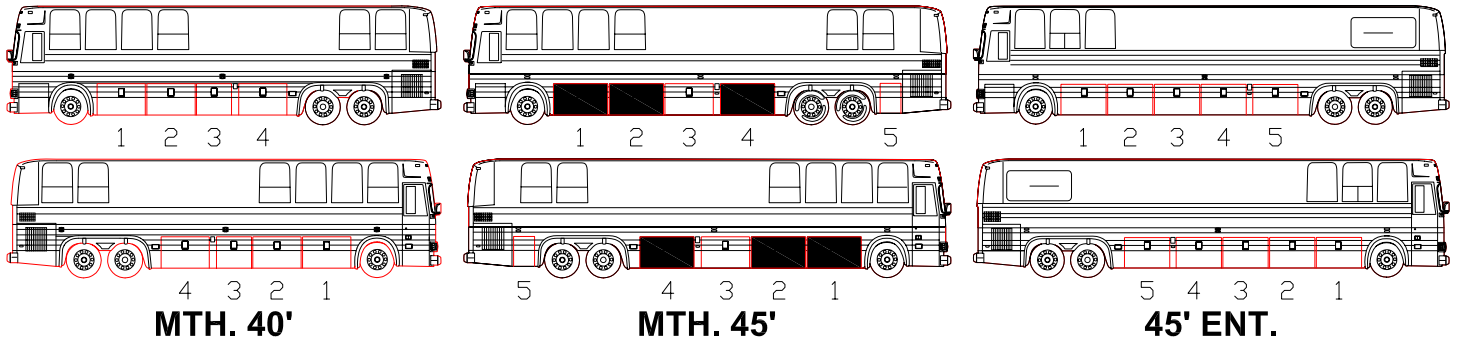


EXTERIOR VIEW

NOTE:
-SPECIAL LUGGAGE DOOR FOR MTH 45'

TOTAL PERFORATED AREA: 4.91 f ²	EFF : P-646		DOOR ASSY ONLY IN SERVICE PART	482221
	PRIOR: Y-7045			
DATE: 99-12	WITH INSULATION		OPTION LIST	482147
REV. : A	WITHOUT INSULATION	X		

PREVOST XL SERIES

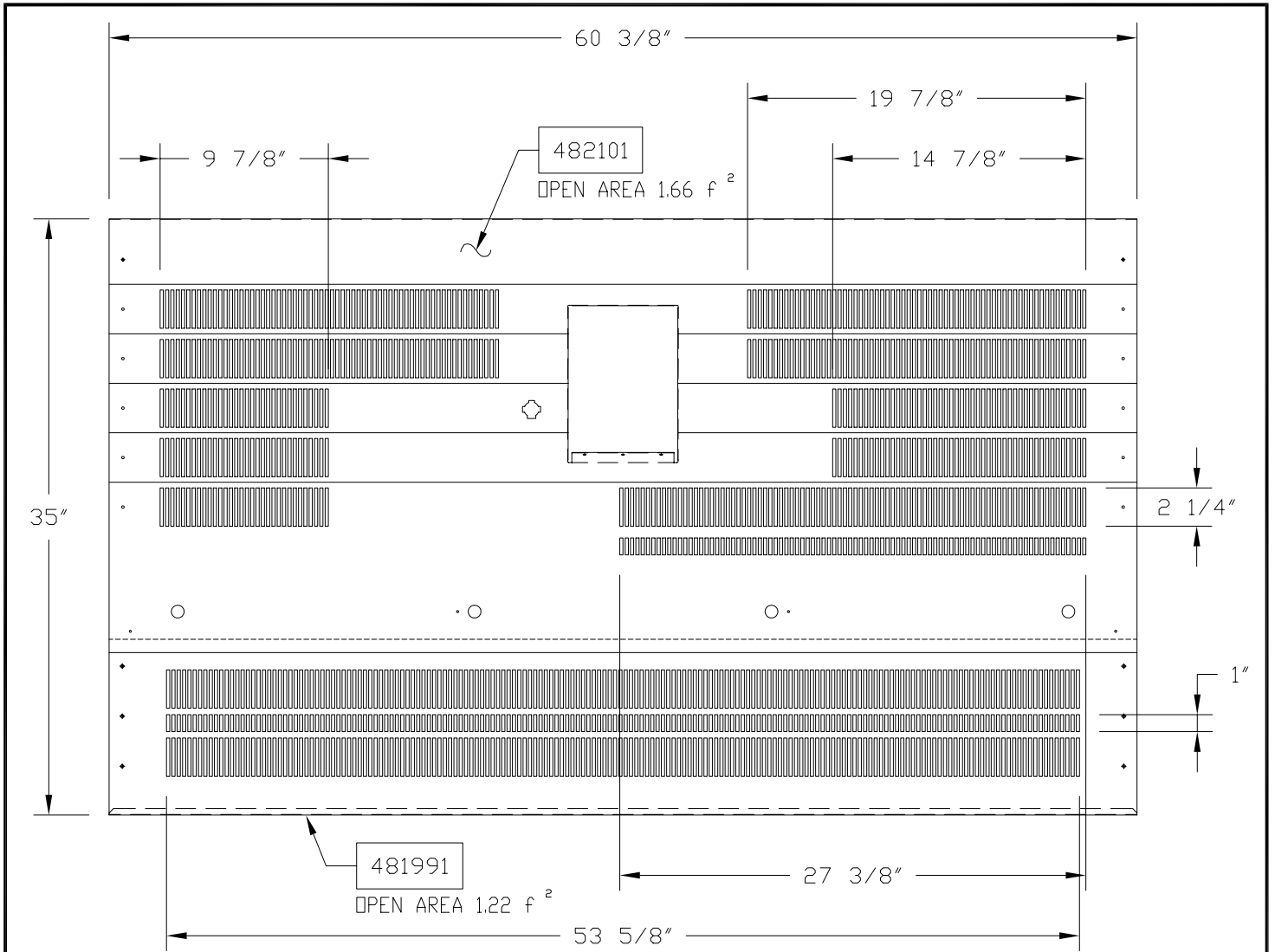
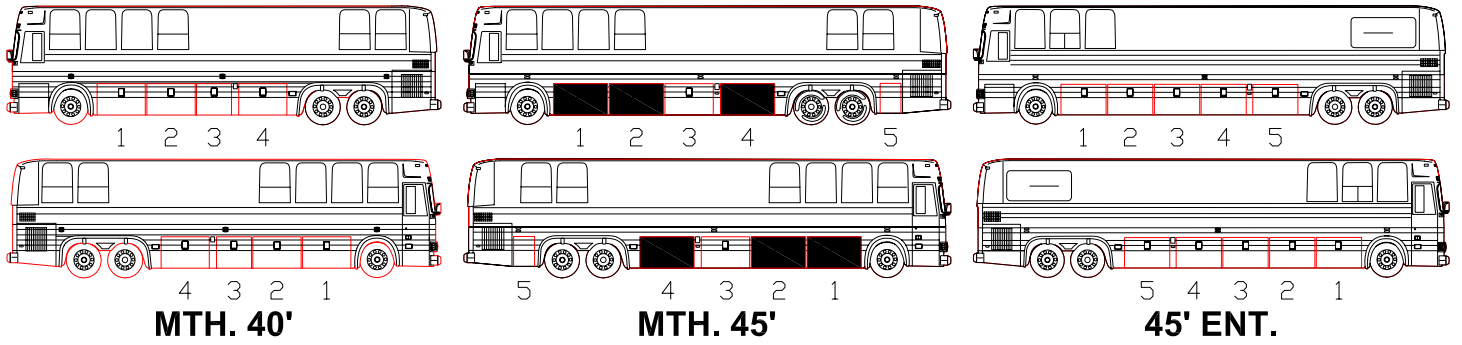


EXTERIOR VIEW

NOTE:
-LARGE LUGGAGE DOOR FOR MTH 45' ONLY

TOTAL PERFORATED AREA: 1.22 f ²	EFF : P-646		DOOR ASSY ONLY IN SERVICE PART	N.A.
	PRIOR: Y-7045			
DATE: 99-12	WITH INSULATION	X	OPTION LIST	482157
REV. : A	WITHOUT INSULATION			

PREVOST XL SERIES

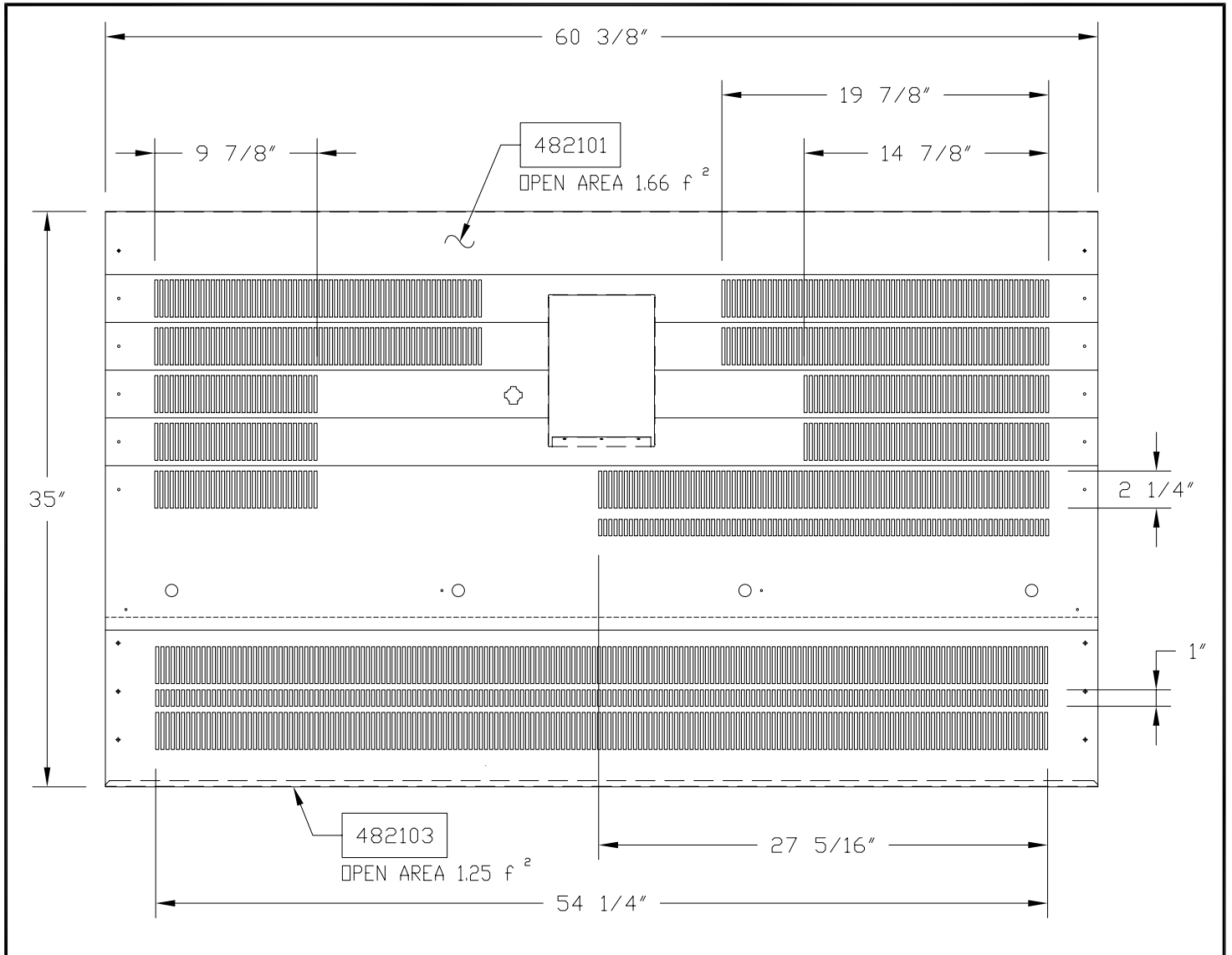
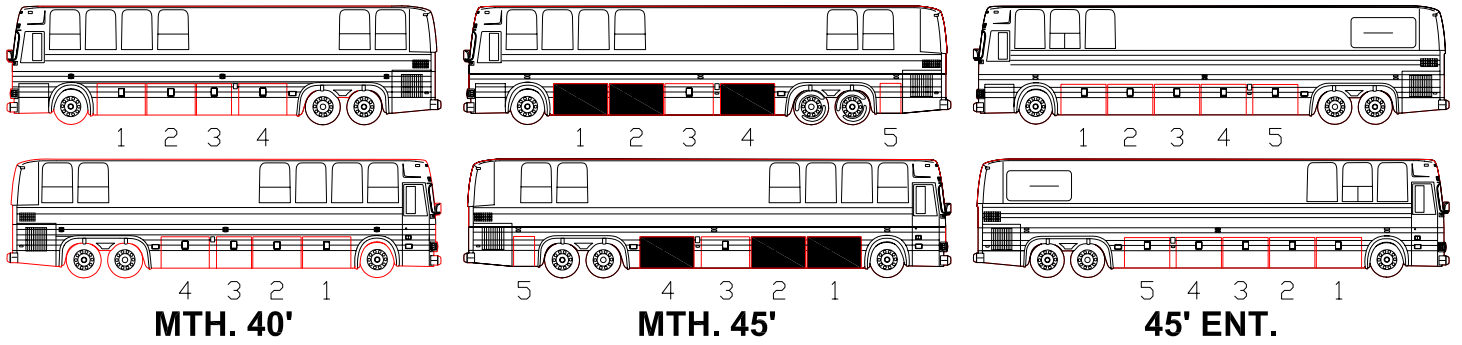


EXTERIOR VIEW

NOTE:
-LARGE LUGGAGE DOOR FOR MTH 45' ONLY

TOTAL PERFORATED AREA: 2.88 f ²	EFF : P-646		DOOR ASSY ONLY IN SERVICE PART	N.A.
	PRIOR: Y-7045			
DATE: 99-12	WITH INSULATION		OPTION LIST	482190
REV.: A	WITHOUT INSULATION X			

PREVOST XL SERIES

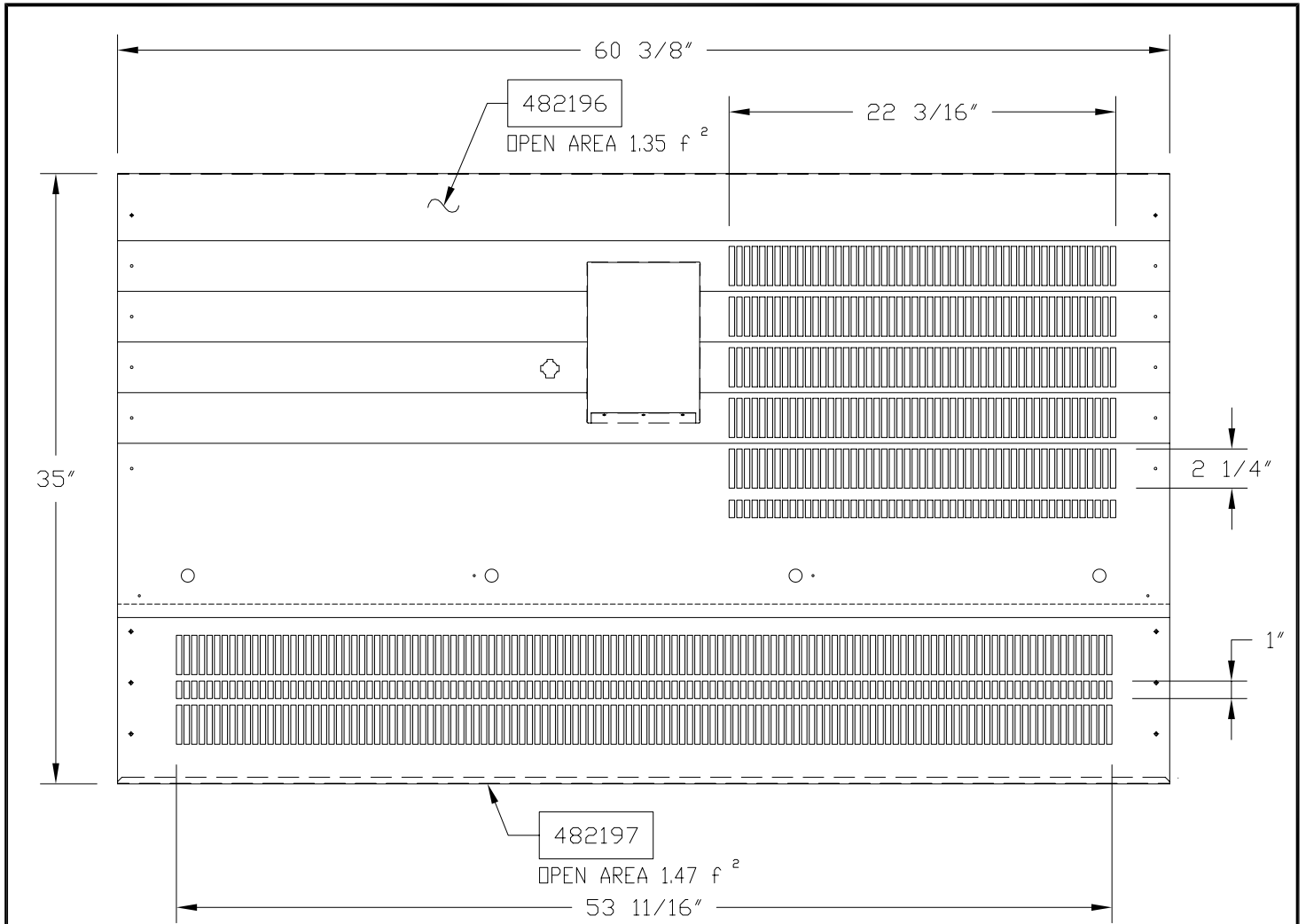
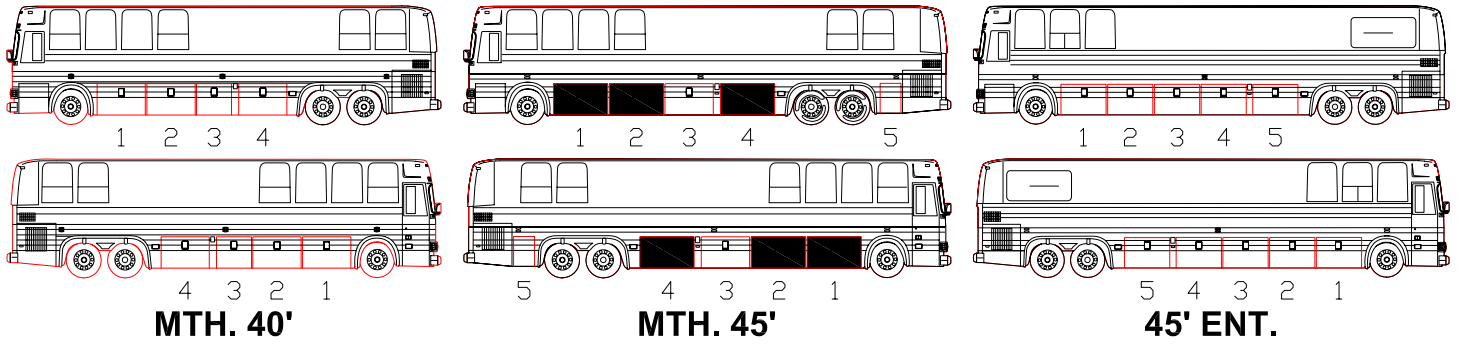


EXTERIOR VIEW

NOTE:
-LARGE LUGGAGE DOOR FOR MTH 45' ONLY

TOTAL PERFORATED AREA: 2.91 f ²	EFF : P-646		DOOR ASSY ONLY IN SERVICE PART	N.A.
	PRIOR: Y-7045			
DATE: 99-12	WITH INSULATION		OPTION LIST	482191
REV. : A	WITHOUT INSULATION X			

PREVOST XL SERIES

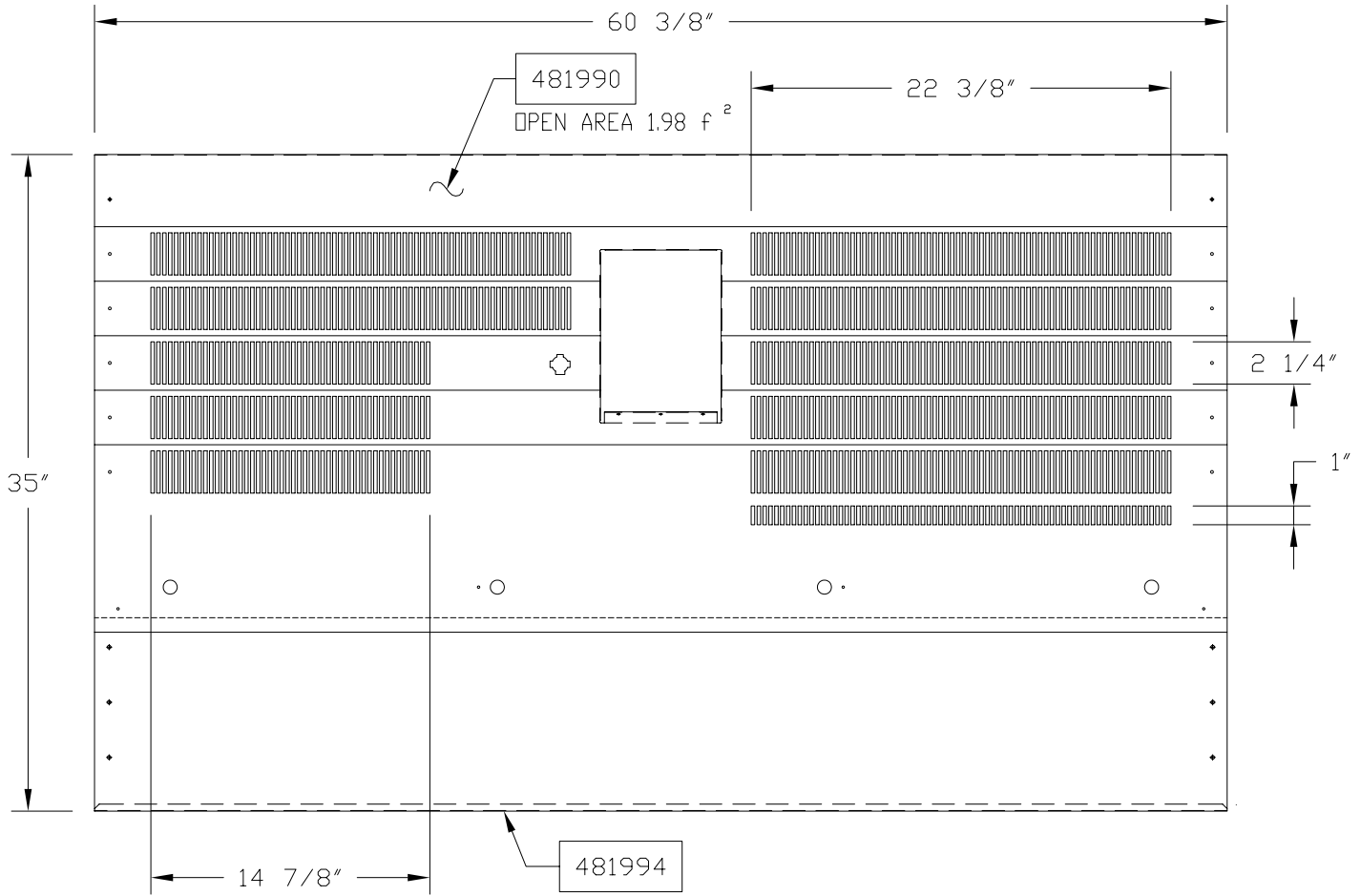
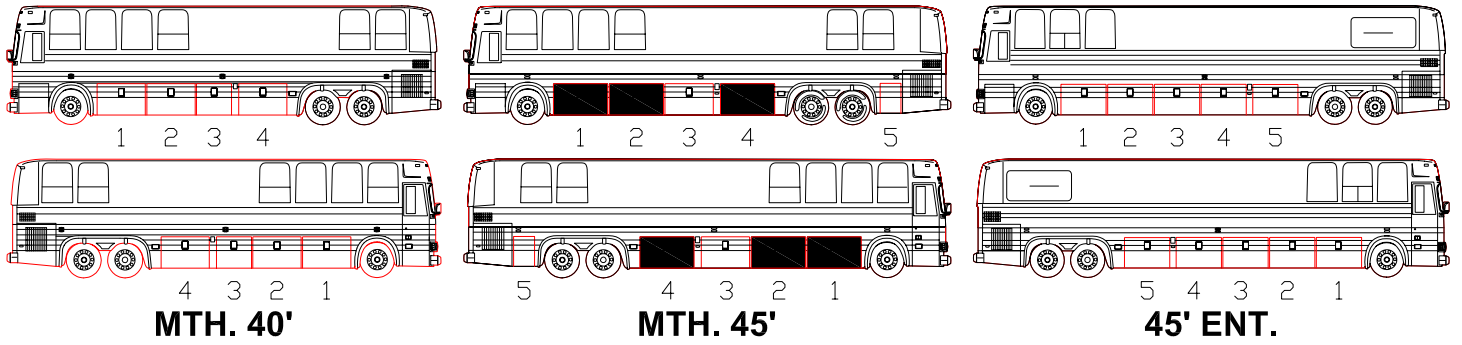


EXTERIOR VIEW

NOTE:
-LARGE LUGGAGE DOOR FOR MTH 45'

TOTAL PERFORATED AREA: 2.82 f ²	EFF : P-646		DOOR ASSY ONLY IN SERVICE PART	N.A.
	PRIOR: Y-7045			
DATE: 99-12	WITH INSULATION		OPTION LIST	482198
REV. : A	WITHOUT INSULATION	X		

PREVOST XL SERIES

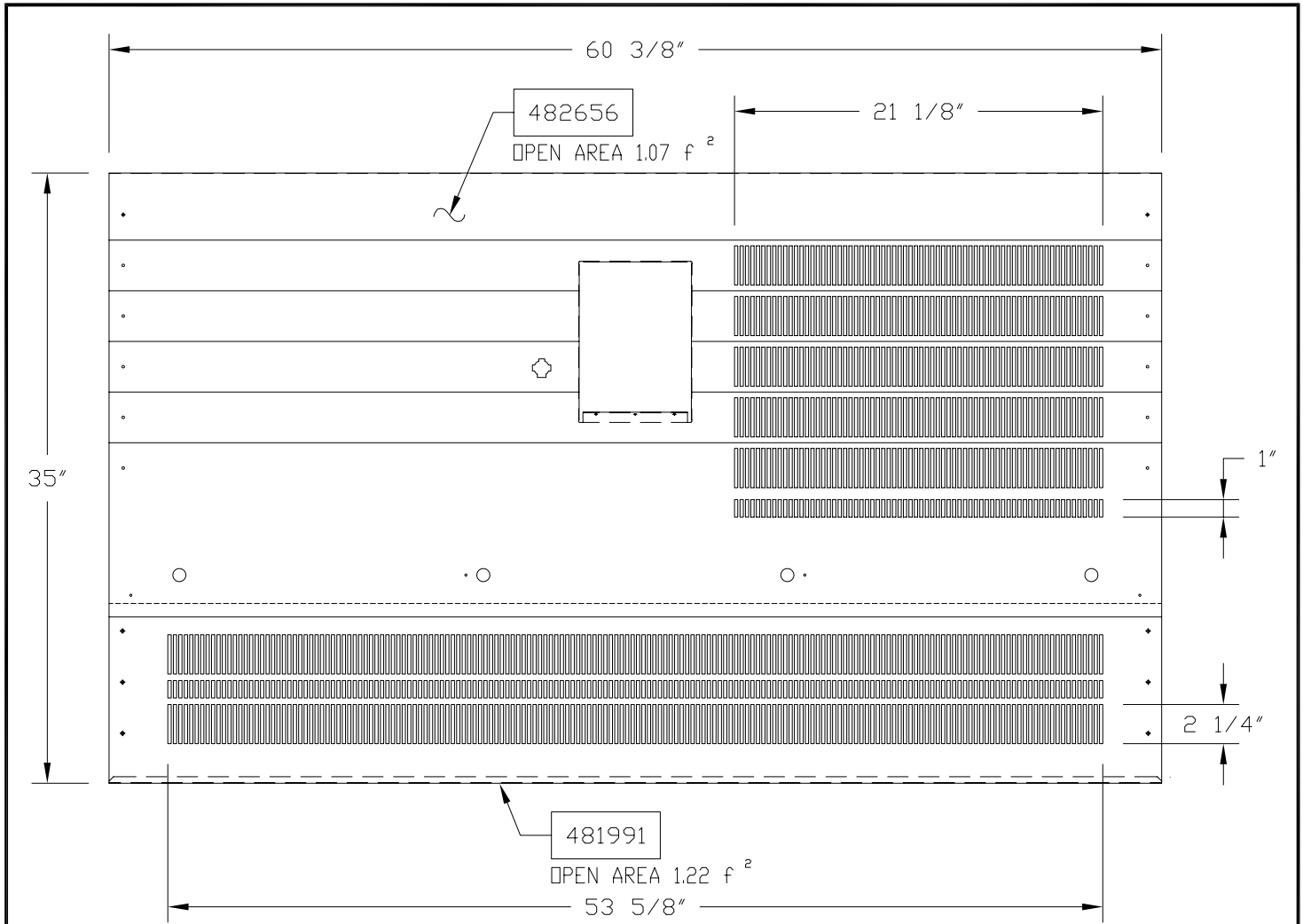
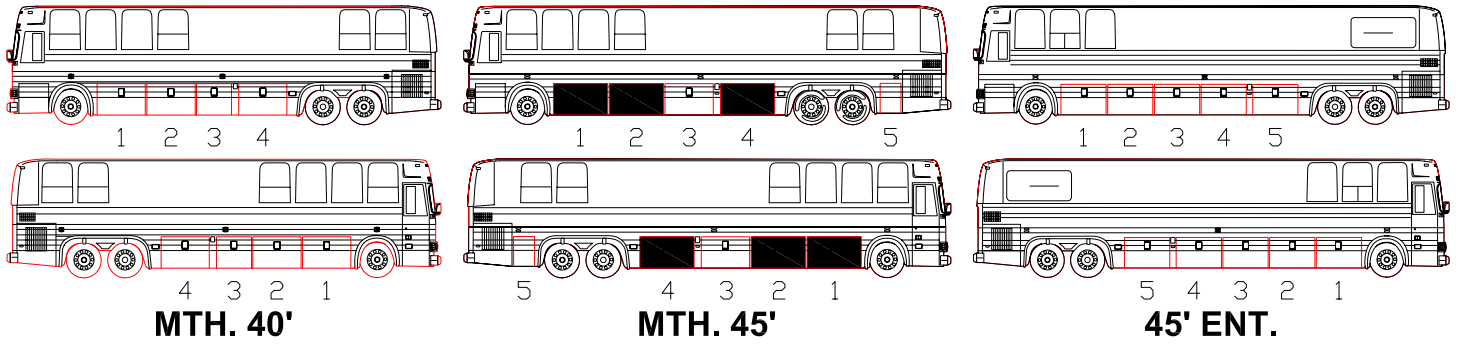


EXTERIOR VIEW

NOTE:
-LARGE LUGGAGE DOOR FOR MTH 45'

TOTAL PERFORATED AREA: 1.98 f ²	EFF : P-646	DOOR ASSY ONLY IN SERVICE PART	N.A.
	PRIOR: Y-7045		
DATE: 99-12	WITH INSULATION	OPTION LIST	482272
REV. : A	WITHOUT INSULATION X		

PREVOST XL SERIES

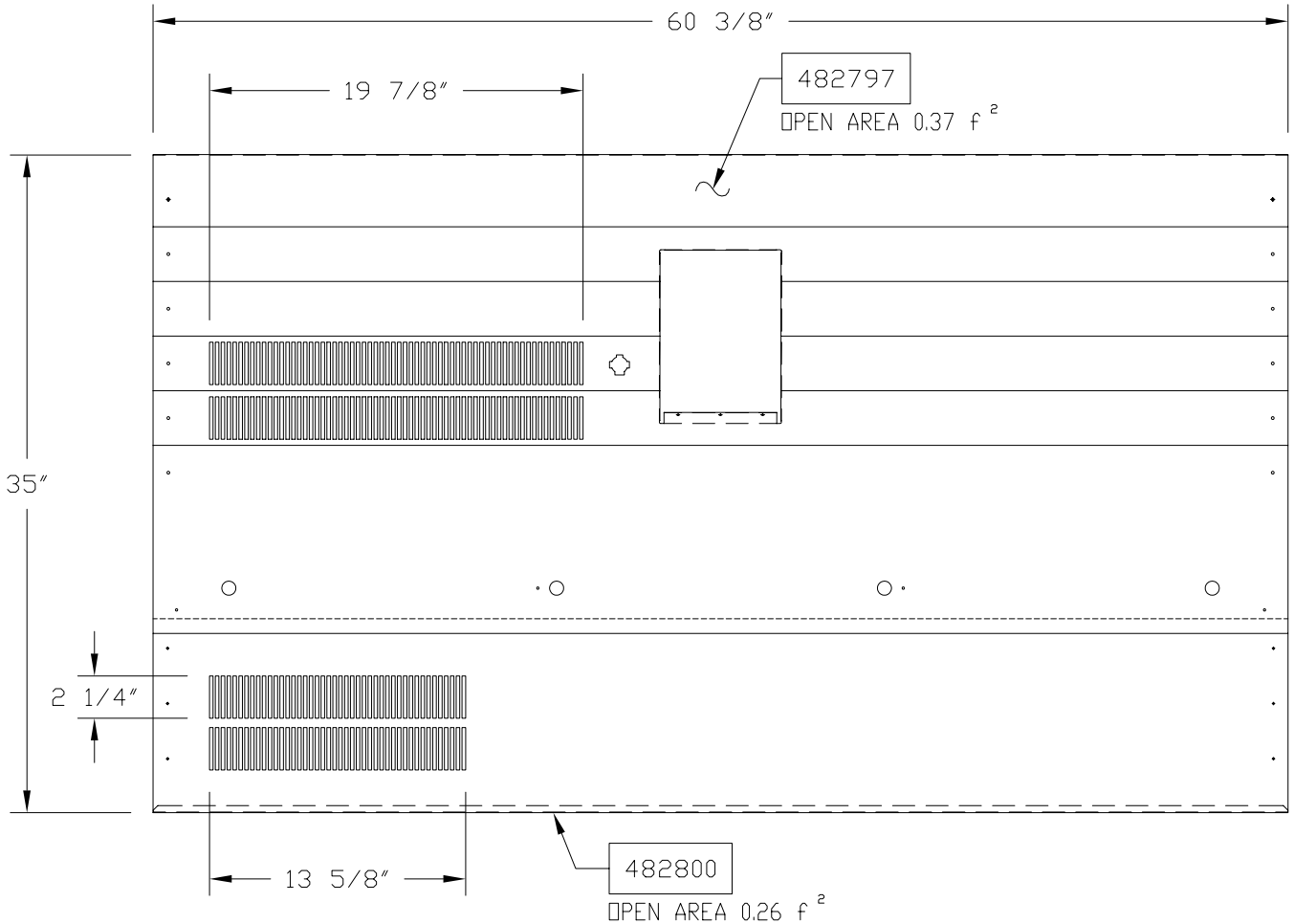
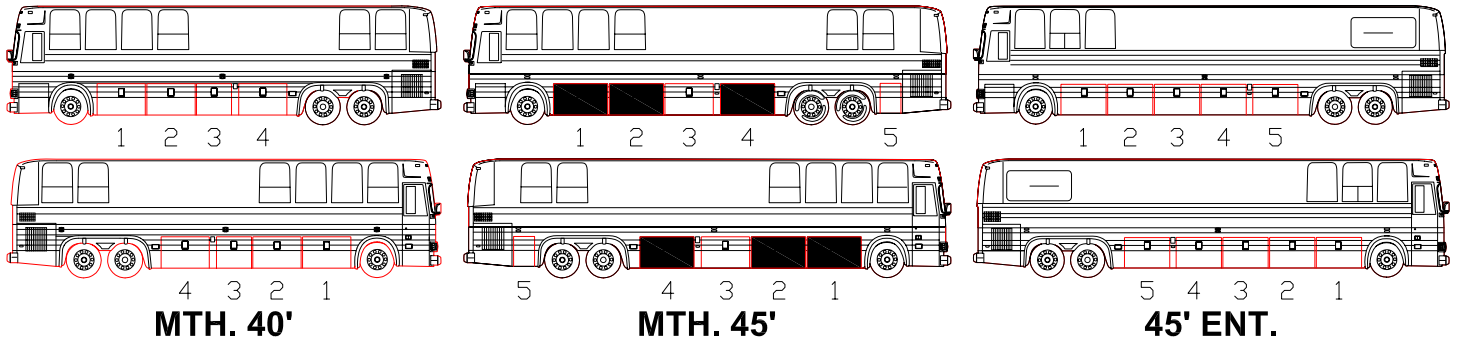


EXTERIOR VIEW

NOTE:
-LARGE LUGGAGE DOOR FOR MTH 45'

TOTAL PERFORATED AREA: 2.29 f ²	EFF : P-646	DOOR ASSY ONLY IN SERVICE PART	N.A.
	PRIOR: Y-7045		
DATE: 99-12	WITH INSULATION	OPTION LIST	482655
REV. : A	WITHOUT INSULATION X		

PREVOST XL SERIES



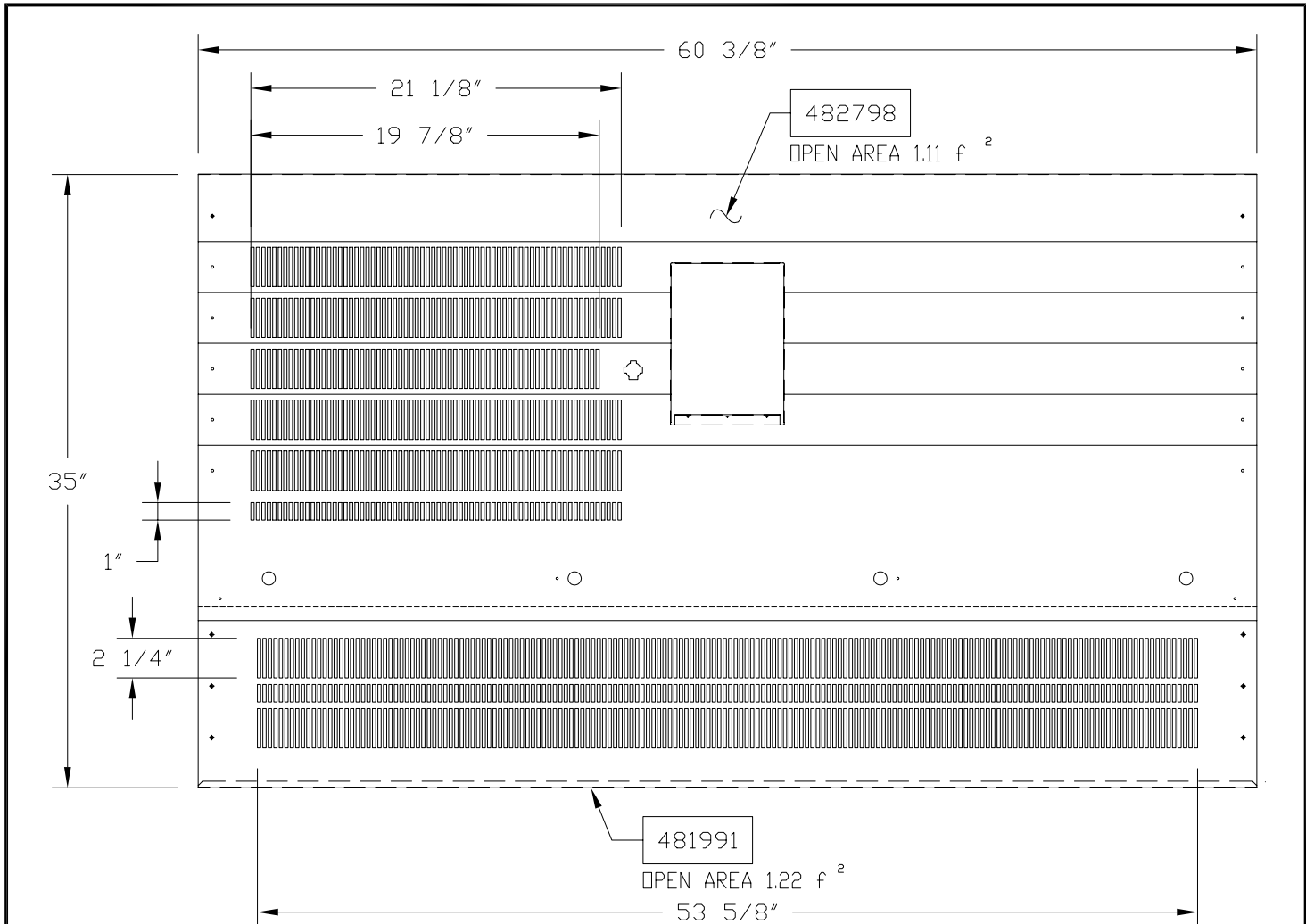
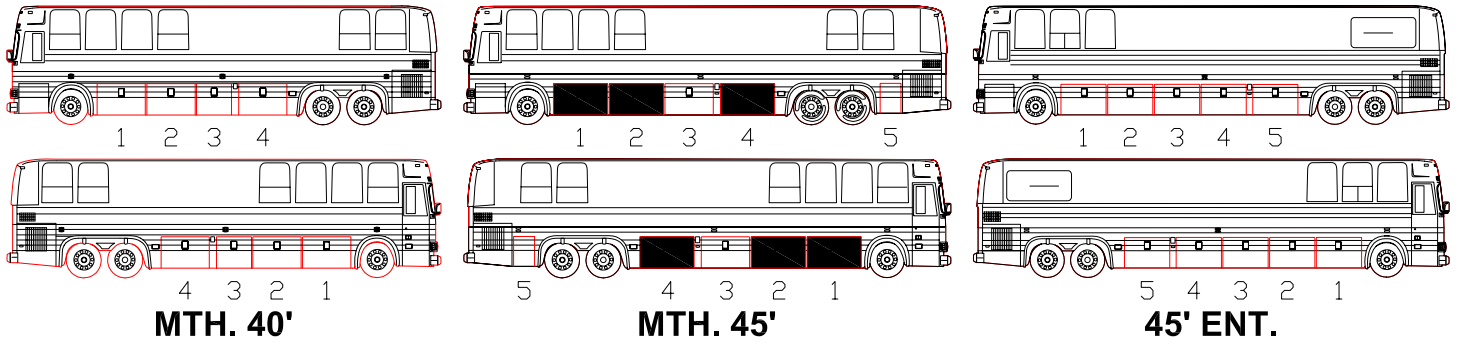
EXTERIOR VIEW

NOTE:

- LARGE LUGGAGE DOOR FOR MTH 40'
- SMALL LUGGAGE DOOR FOR MTH 45'
- LARGE LUGGAGE DOOR FOR 45' ENT.

TOTAL PERFORATED AREA: 0.63 f ²	EFF : P-646		DOOR ASSY ONLY IN SERVICE PART	N.A.
	PRIOR: Y-7045			
DATE: 99-12	WITH INSULATION	X	OPTION LIST	482795
REV. : A	WITHOUT INSULATION			

PREVOST XL SERIES

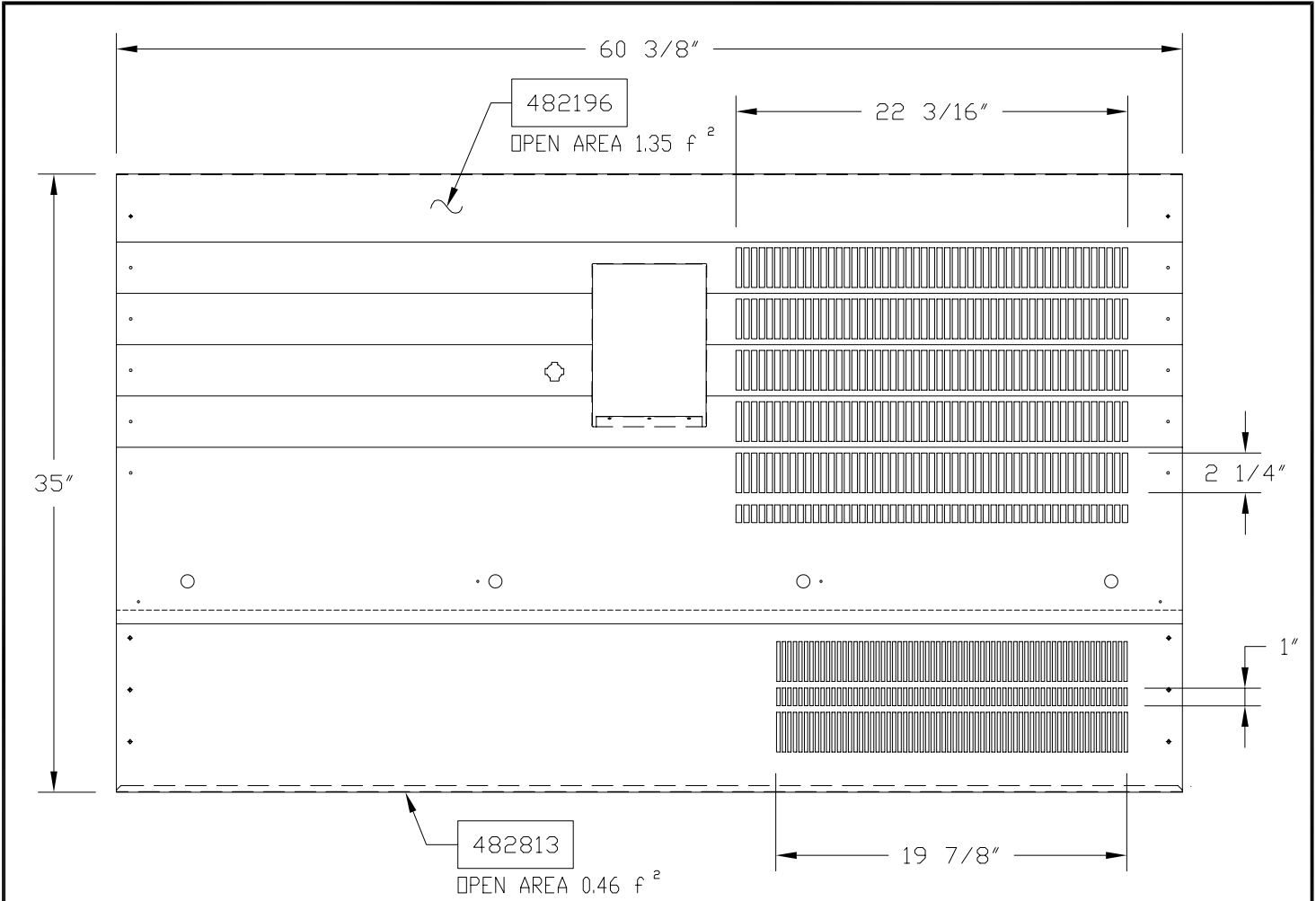
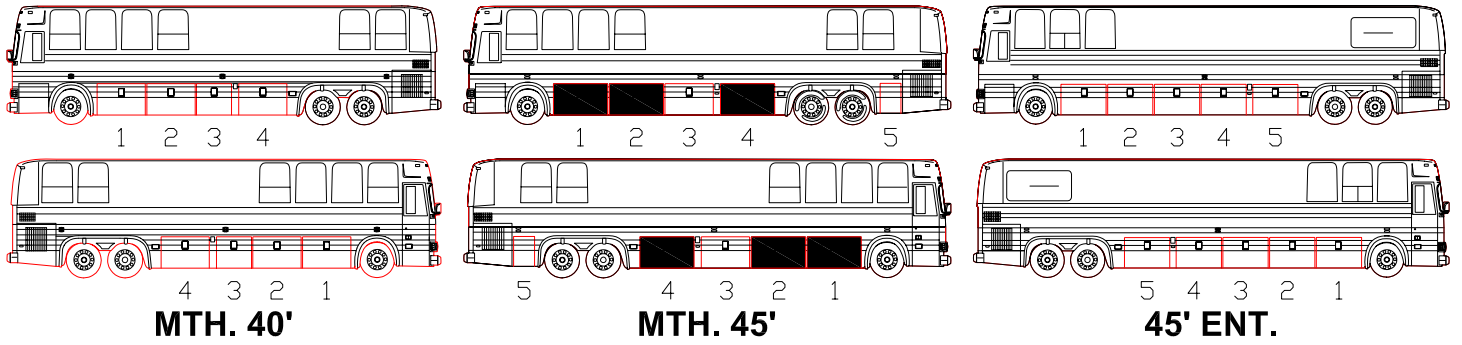


EXTERIOR VIEW

NOTE:
-LARGE LUGGAGE DOOR FOR MTH 45'

TOTAL PERFORATED AREA: 2.33 f ²	EFF : P-646	DOOR ASSY ONLY IN SERVICE PART	N.A.
	PRIOR: Y-7045		
DATE: 99-12	WITH INSULATION	OPTION LIST	482796
REV.: A	WITHOUT INSULATION X		

PREVOST XL SERIES

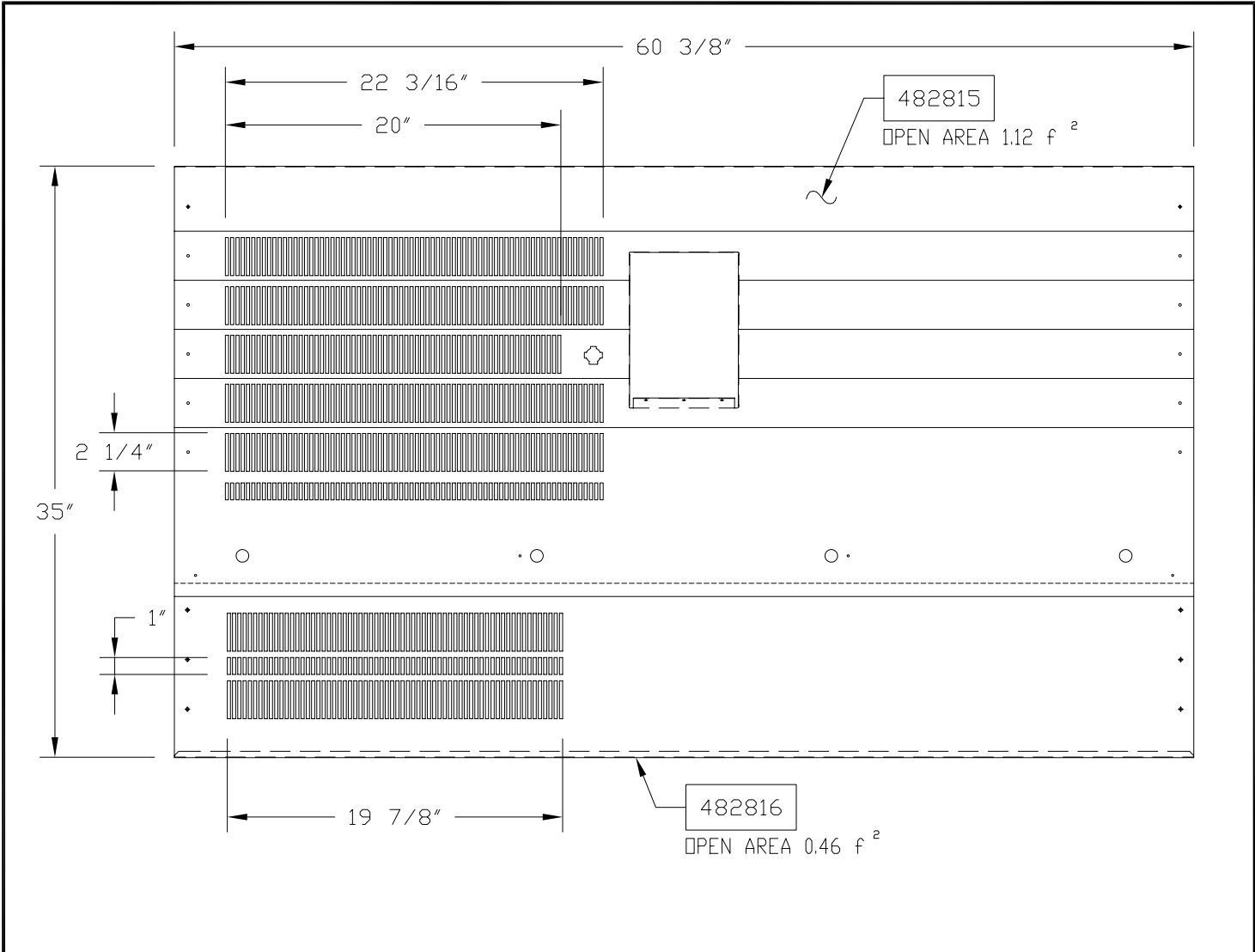
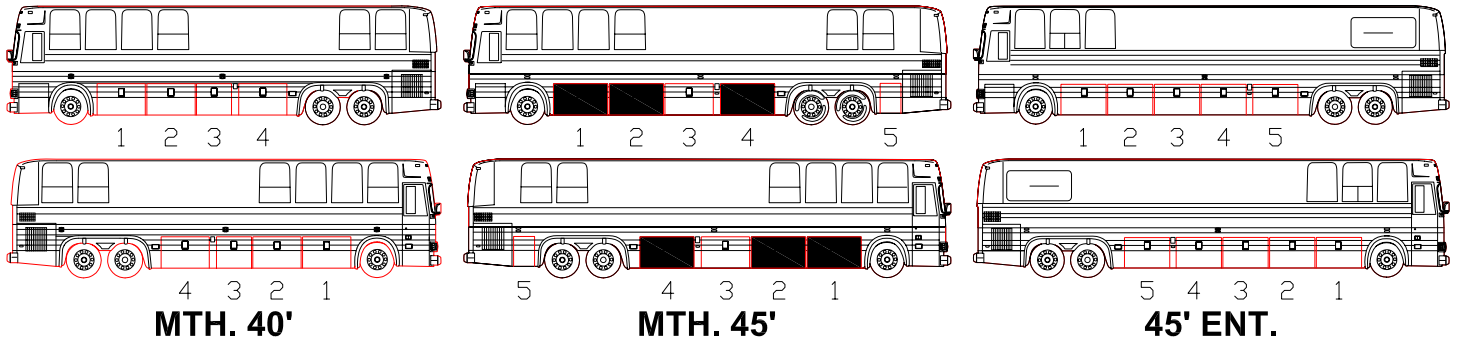


EXTERIOR VIEW

NOTE:
-LARGE LUGGAGE DOOR FOR MTH 45'

TOTAL PERFORATED AREA: 1.81 f ²	EFF : P-646		DOOR ASSY ONLY IN SERVICE PART	N.A.
	PRIOR: Y-7045			
DATE: 99-12	WITH INSULATION		OPTION LIST	482812
REV. : A	WITHOUT INSULATION	X		

PREVOST XL SERIES

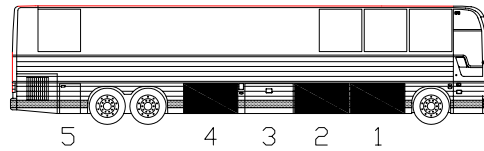
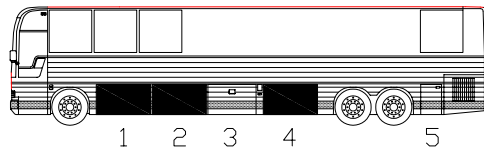


EXTERIOR VIEW

NOTE:
-LARGE LUGGAGE DOOR FOR MTH 45'

TOTAL PERFORATED AREA: 1.58 f ²	EFF : P-646		DOOR ASSY ONLY IN SERVICE PART	N.A.
	PRIOR: Y-7045			
DATE: 99-12	WITH INSULATION		OPTION LIST	482814
REV.: A	WITHOUT INSULATION	X		

PREVOST® *Le Mirage XL*



MTH. 45'

60" BAGGAGE DOORS

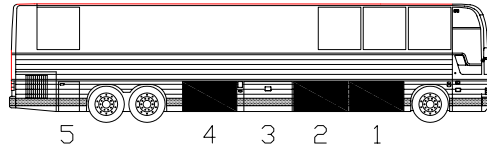
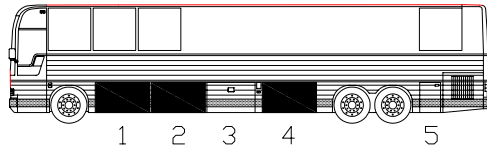
OPTION LIST	UPPER PANEL	LOWER PANEL	PERFORATED AREA F ²	INSULATION	SATIN BLEND SS	BRIGHT SS
482867	482857	481991	3.13		X	
482867	483835	483880	3.13			X
482868	482860	481994	NO	X	X	
482868	483838	483881	NO	X		X
482869	482859	482094	0.50	X	X	
482869	483837	483882	0.50	X		X
482870	482830	481994	1.57	X	X	
482870	483825	483881	1.57	X		X
482871	482860	482103	1.25	X	X	
482871	483838	483883	1.25	X		X
482872	482860	481991	1.22	X	X	
482872	483838	483880	1.22	X		X
482878	482830	481991	2.79		X	
482878	483825	483880	2.79			X
482879	482830	482103	2.82		X	
482879	483825	483883	2.82			X
482881	482880	482197	2.72		X	
482881	483840	483885	2.72			X
482893	482894	481991	2.27		X	
482893	483844	483880	2.27			X
482923	482924	482800	0.56		X	
482923	483853	483892	0.56			X

DOTTED AREAS ARE NOT IN PRODUCTION AT TIME OF PRINTING.

DATE: 04-07

REV.: B

PREVOST *Le Mirage XL*



MTH. 45'

60" BAGGAGE DOORS

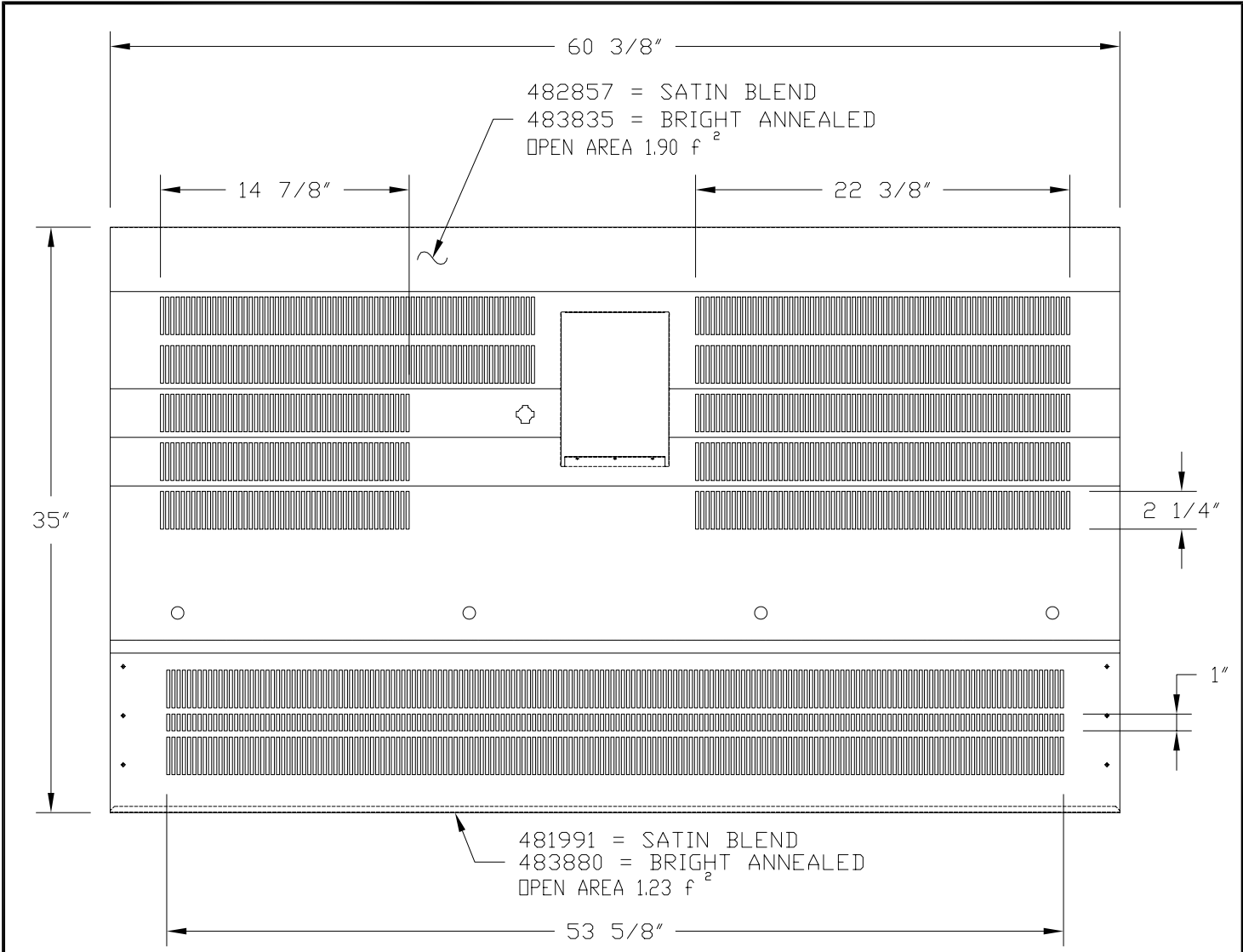
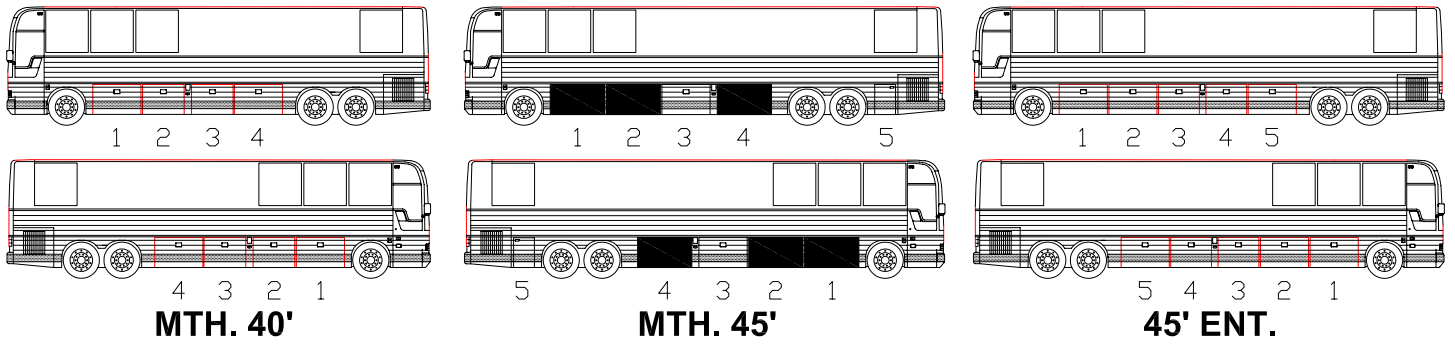
OPTION LIST	UPPER PANEL	LOWER PANEL	PERFORATED AREA F ²	INSULATION	SATIN BLEND SS	BRIGHT SS
482925	482926	481991	2.12		X	
482925	483854	483880	2.12			X
482928	482880	482813	1.71		X	
482928	483840	483894	1.71			X
482929	482930	482816	1.54		X	
482929	483856	483895	1.54			X
482933	482857	481994	1.90		X	
482933	483835	483881	1.90			X
4760L	XXX	483777	NO	W/O HANDLE	X	
4760L	XXX	483935	NO	W/O HANDLE		X

DOTTED AREAS ARE NOT IN PRODUCTION AT TIME OF PRINTING.

DATE: 04-07

REV.: B

PREVOST *Le Mirage XL*

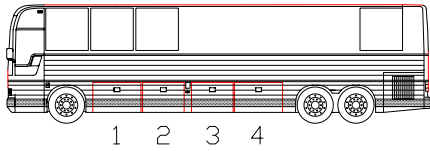


EXTERIOR VIEW

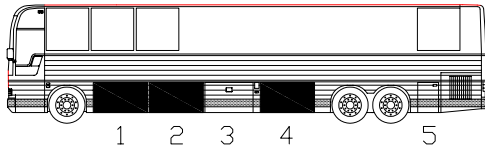
NOTE:
-LARGE LUGGAGE DOOR FOR MTH 45'

TOTAL PERFORATED AREA: 3.13 f ²	EFF : Y-7046		DOOR ASSY ONLY IN SERVICE PART	N.A.
	PRIOR:			
DATE: 04-07	WITH INSULATION		OPTION LIST	482867
REV. : B	WITHOUT INSULATION	X		

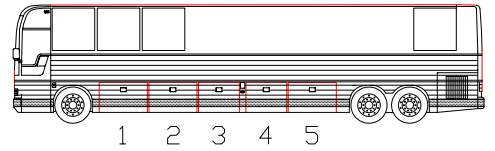
PREVOST Le Mirage XL



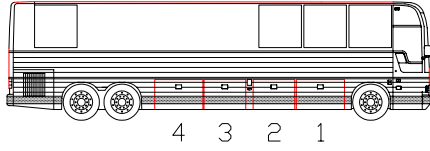
1 2 3 4



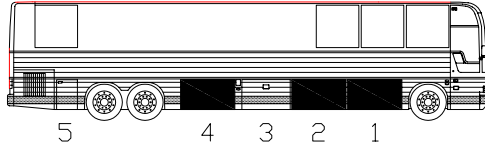
1 2 3 4 5



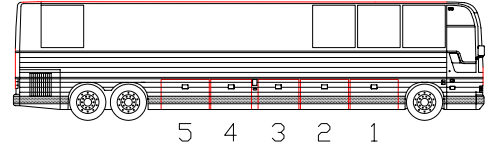
1 2 3 4 5



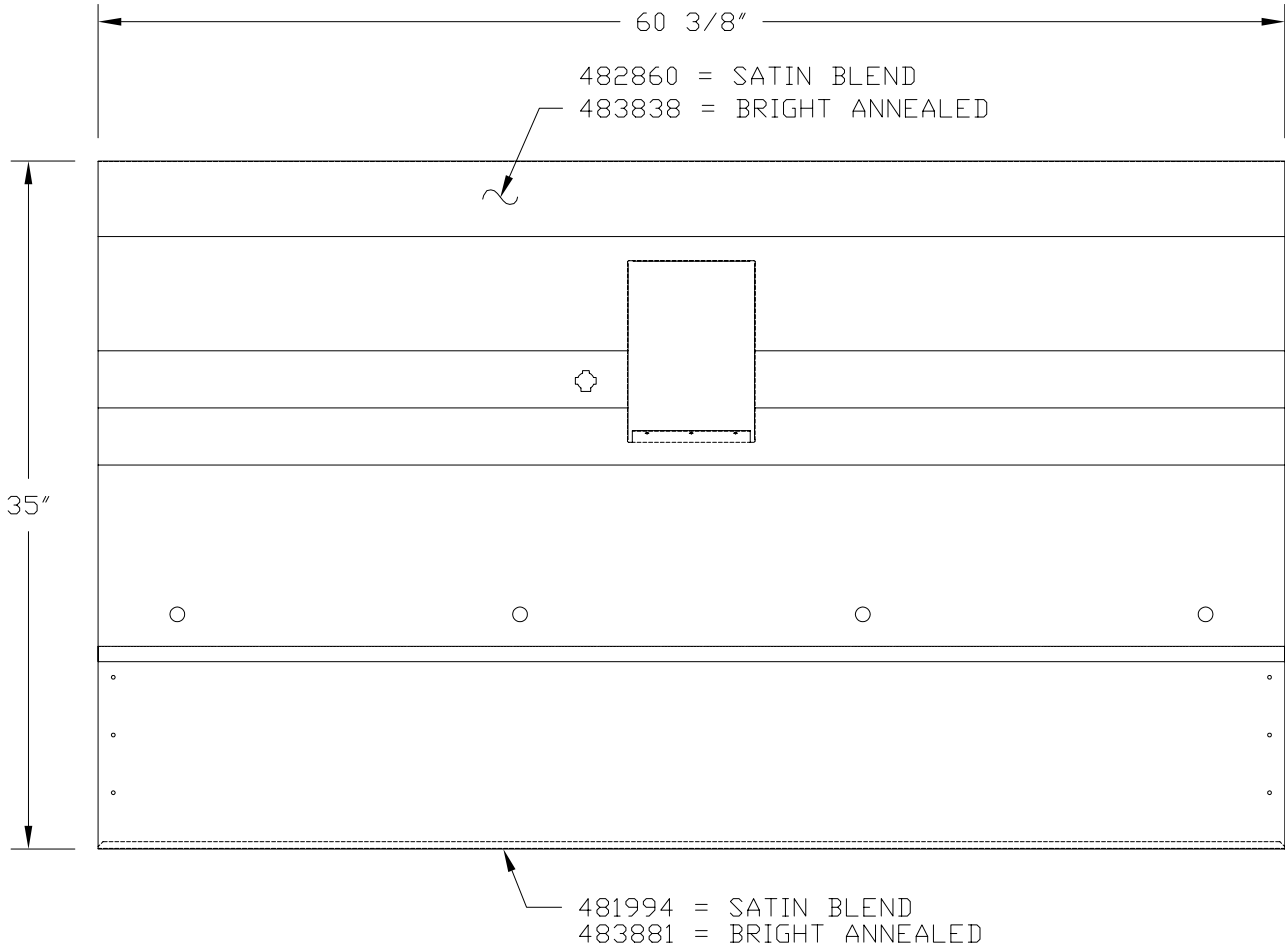
4 3 2 1
MTH. 40'



5 4 3 2 1
MTH. 45'



5 4 3 2 1
45' ENT.

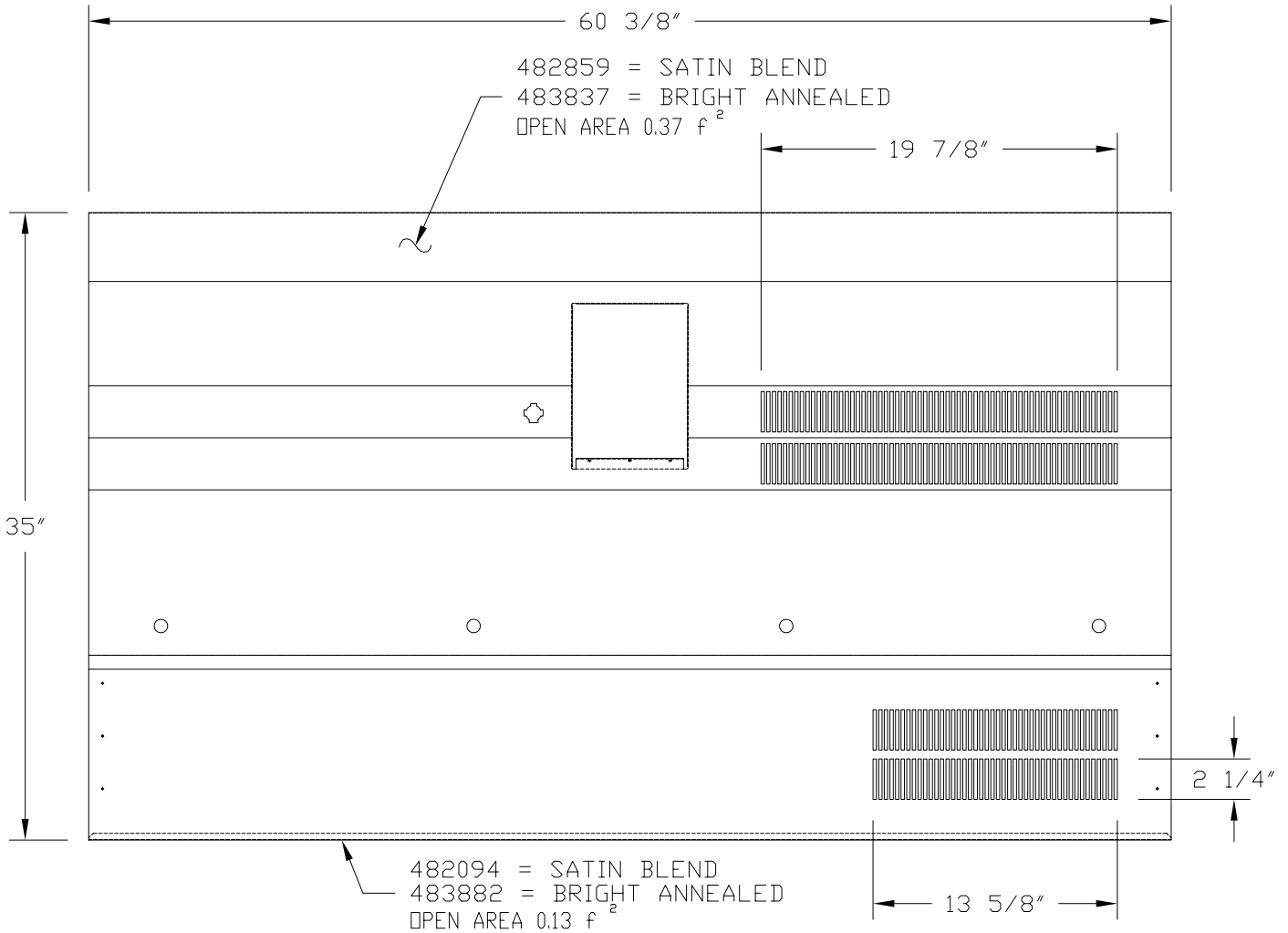
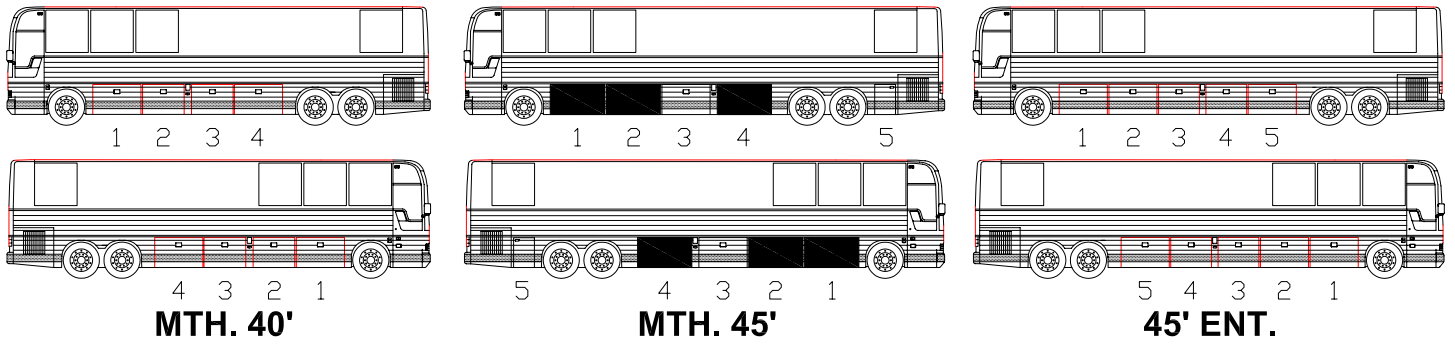


EXTERIOR VIEW

NOTE:
-LARGE LUGGAGE DOOR FOR MTH 45'

TOTAL PERFORATED AREA: 0.00 f ²	EFF : Y-7046		DOOR ASSY ONLY IN SERVICE PART	N.A.
	PRIOR:			
DATE: 04-07	WITH INSULATION	X	OPTION LIST	482868
REV. : B	WITHOUT INSULATION			

PREVOST Le Mirage XL

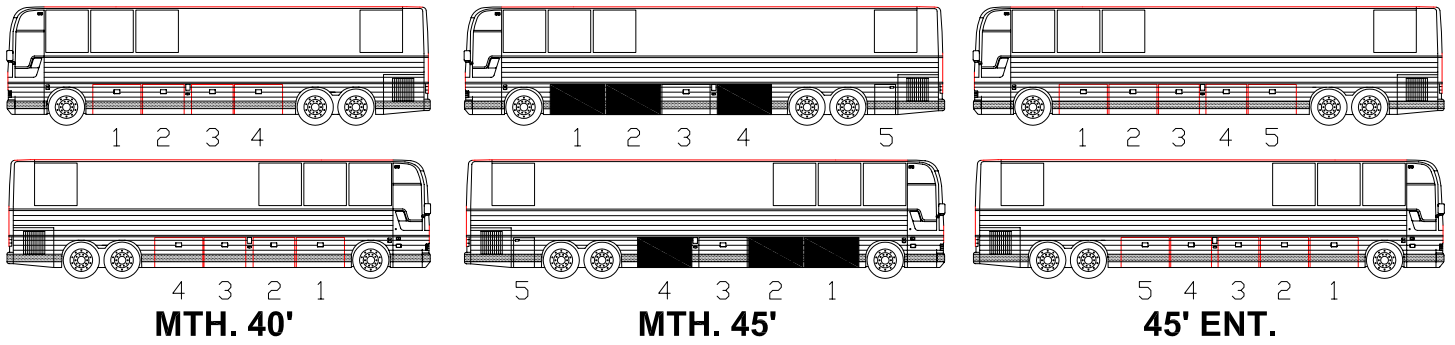


EXTERIOR VIEW

NOTE:
-LARGE LUGGAGE DOOR FOR MTH 45'

TOTAL PERFORATED AREA: 0.50 f ²	EFF : Y-7046		DOOR ASSY ONLY IN SERVICE PART	N.A.
	PRIOR:			
DATE: 04-07	WITH INSULATION	X	OPTION LIST	482869
REV. : B	WITHOUT INSULATION			

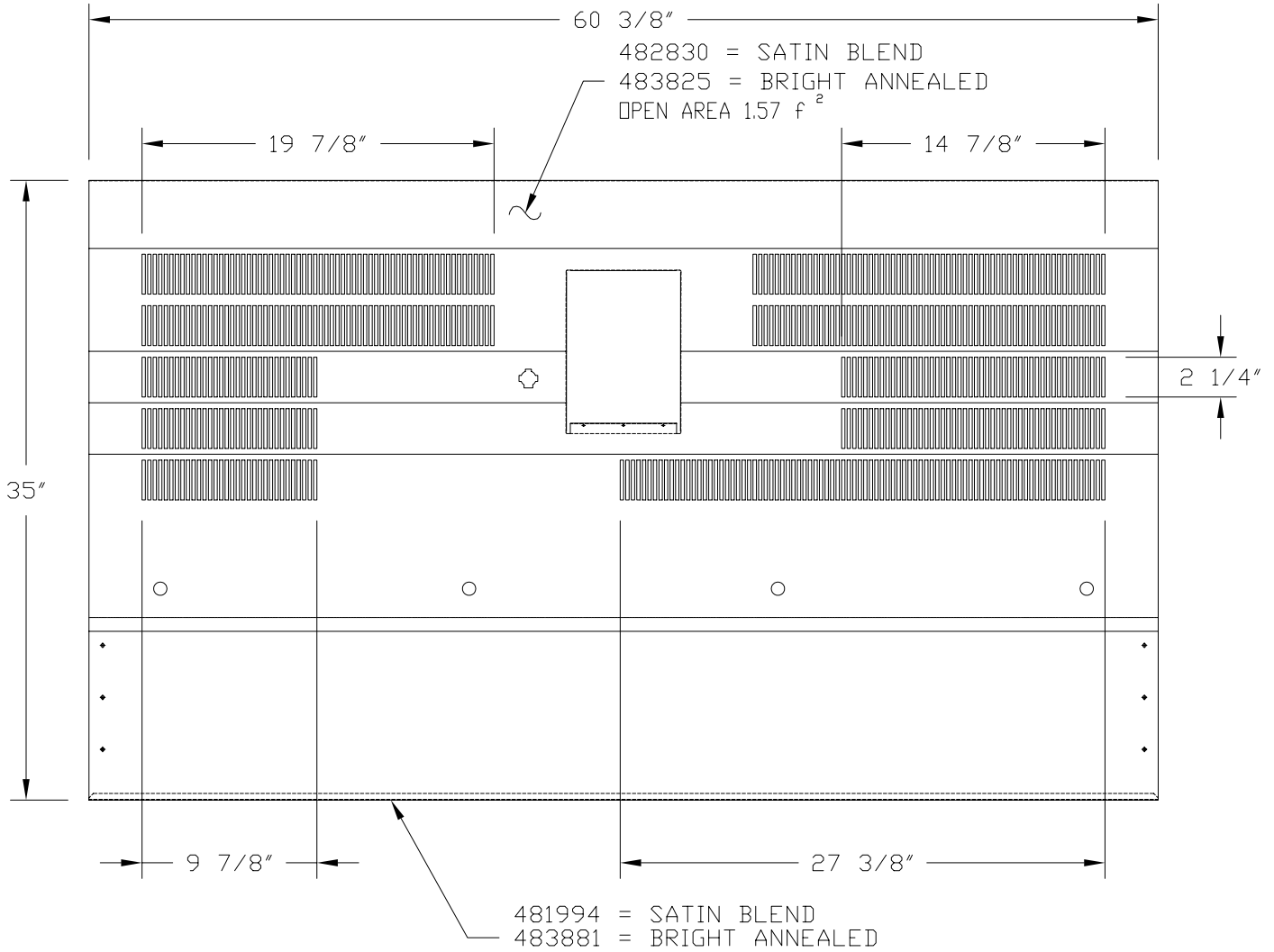
PREVOST Le Mirage XL



MTH. 40'

MTH. 45'

45' ENT.

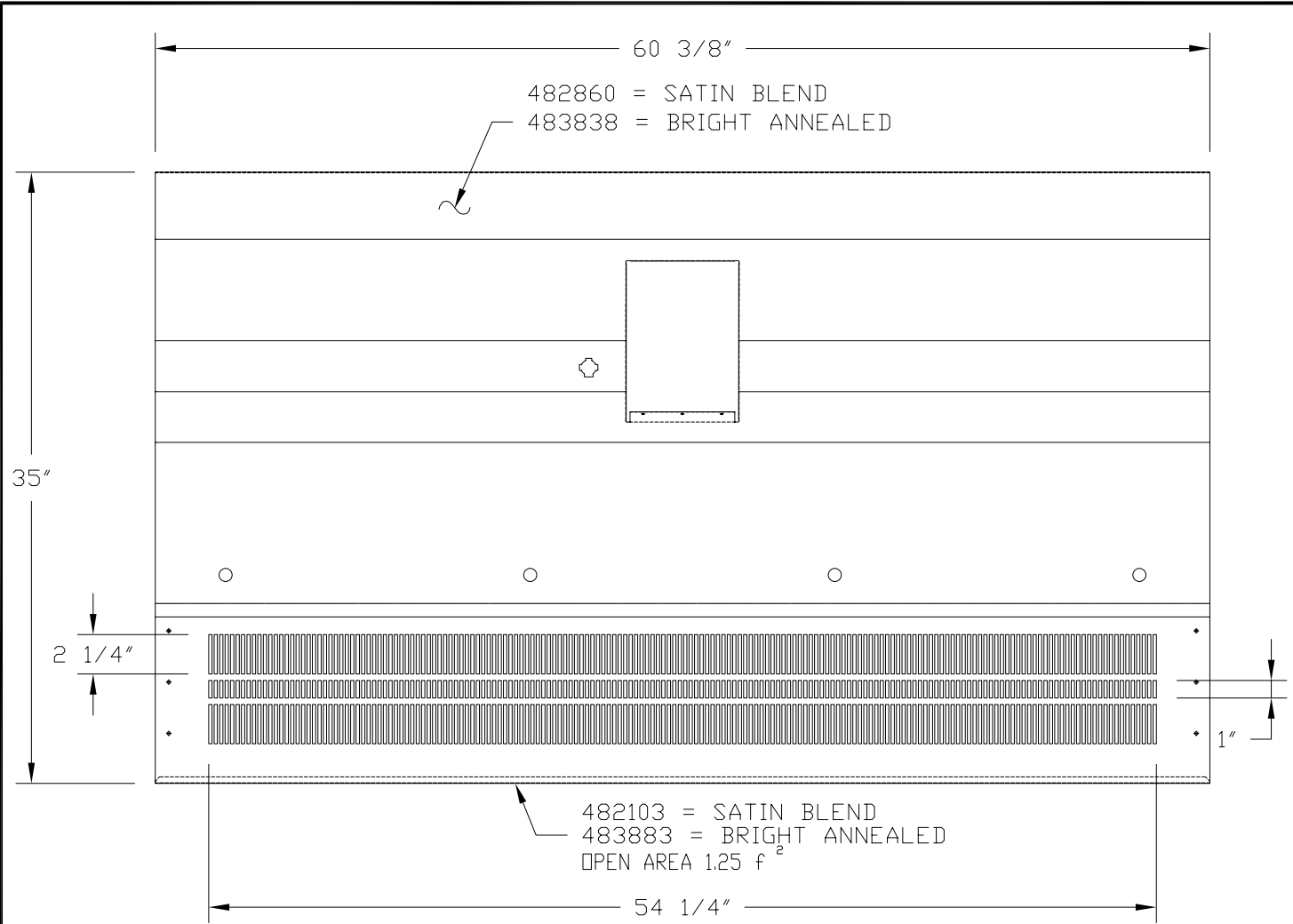
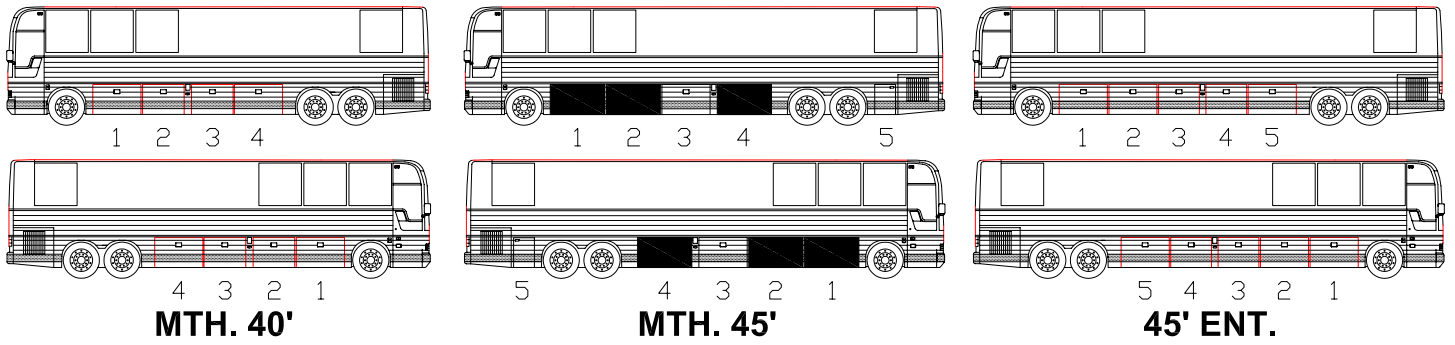


EXTERIOR VIEW

NOTE:
-LARGE LUGGAGE DOOR FOR MTH 45'

TOTAL PERFORATED AREA: 1.57 f ²	EFF : Y-7046		DOOR ASSY ONLY IN SERVICE PART	N.A.
	PRIOR:			
DATE: 04-07	WITH INSULATION	X	OPTION LIST	482870
REV.: B	WITHOUT INSULATION			

PREVOST *Le Mirage XL*

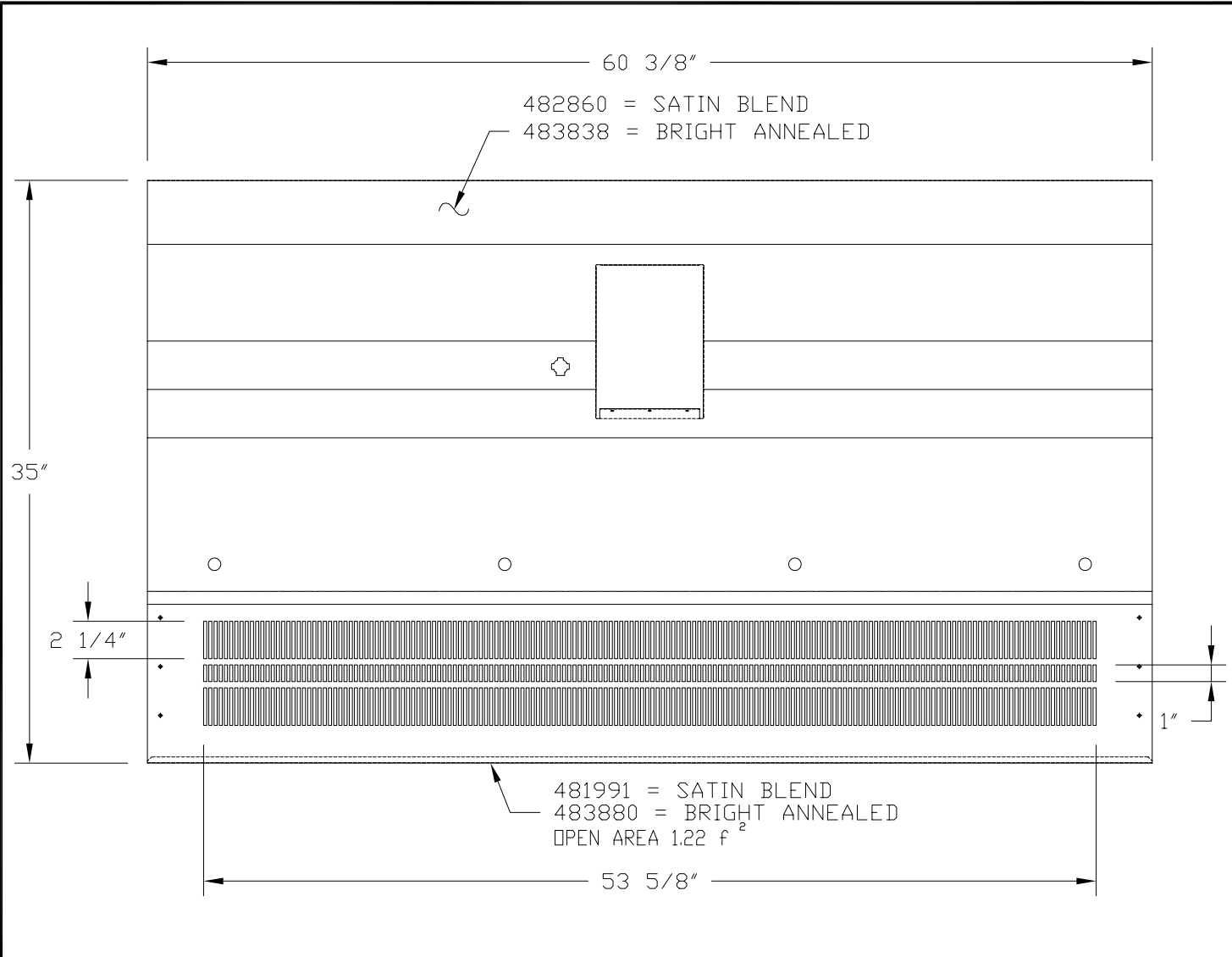
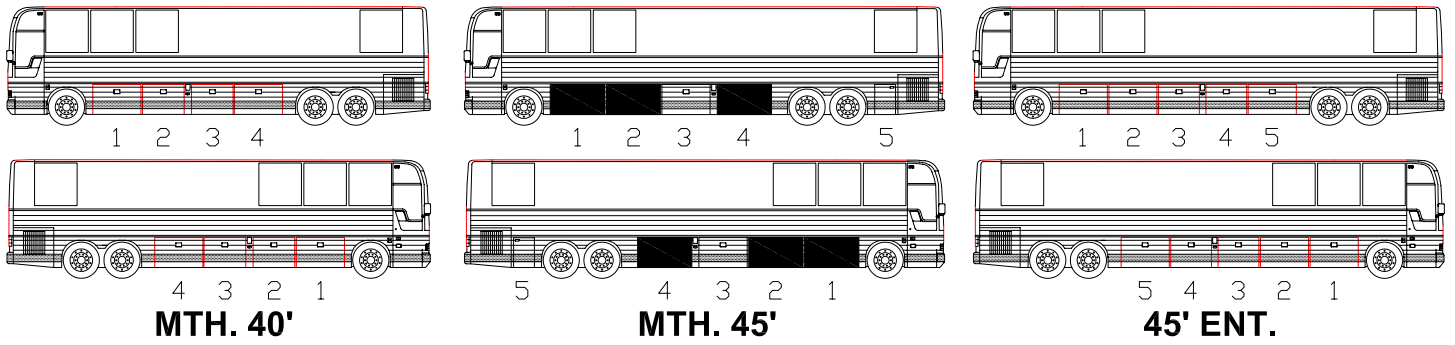


EXTERIOR VIEW

NOTE:
-LARGE LUGGAGE DOOR FOR MTH 45'

TOTAL PERFORATED AREA: 1.25 f ²	EFF : Y-7046		DOOR ASSY ONLY IN SERVICE PART	N.A.
	PRIOR:			
DATE: 04-07	WITH INSULATION	X	OPTION LIST	482871
REV. : B	WITHOUT INSULATION			

PREVOST Le Mirage XL

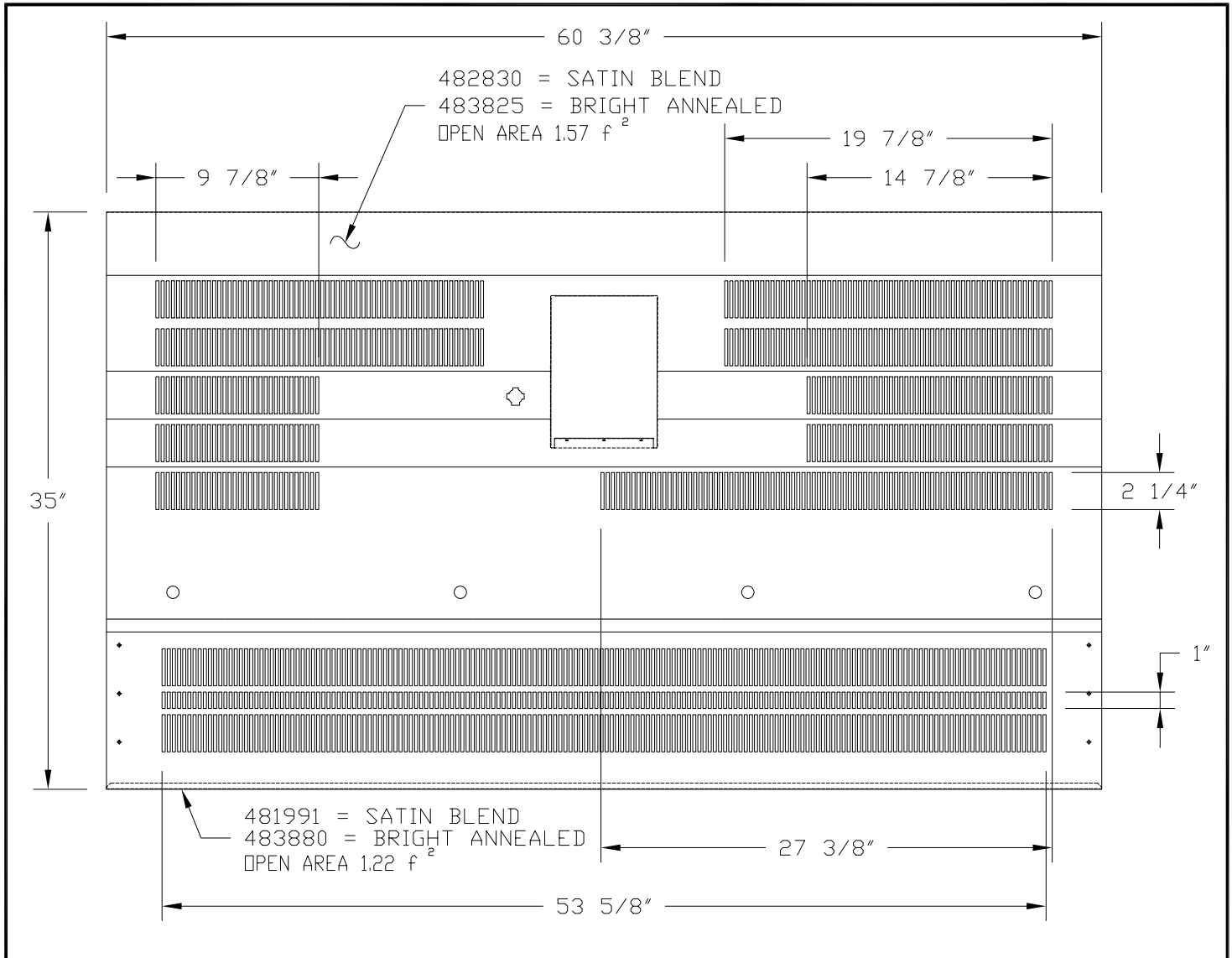
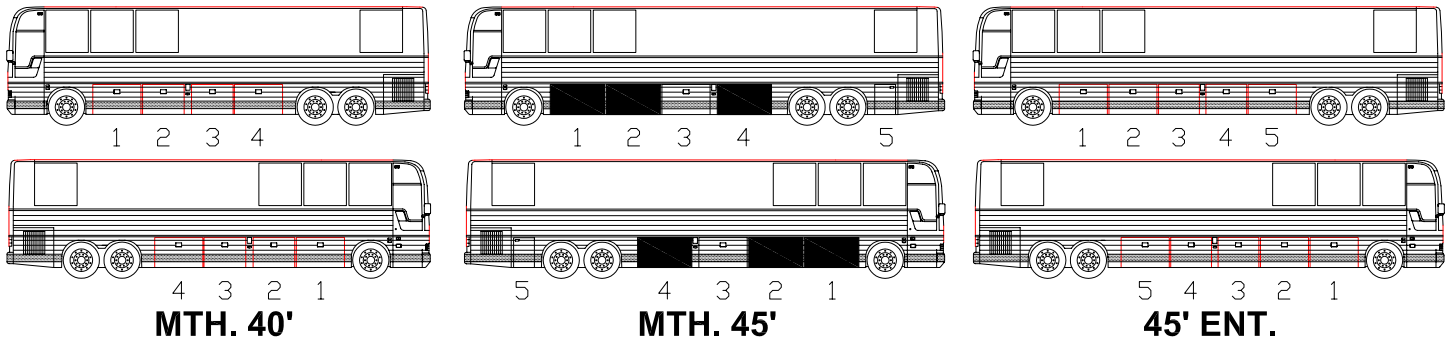


EXTERIOR VIEW

NOTE:
-LARGE LUGGAGE DOOR FOR MTH 45'

TOTAL PERFORATED AREA: 1.22 f ²	EFF : Y-7046		DOOR ASSY ONLY IN SERVICE PART	N.A.
	PRIOR:			
DATE: 04-07	WITH INSULATION	X	OPTION LIST	482872
REV. : B	WITHOUT INSULATION			

PREVOST *Le Mirage XL*

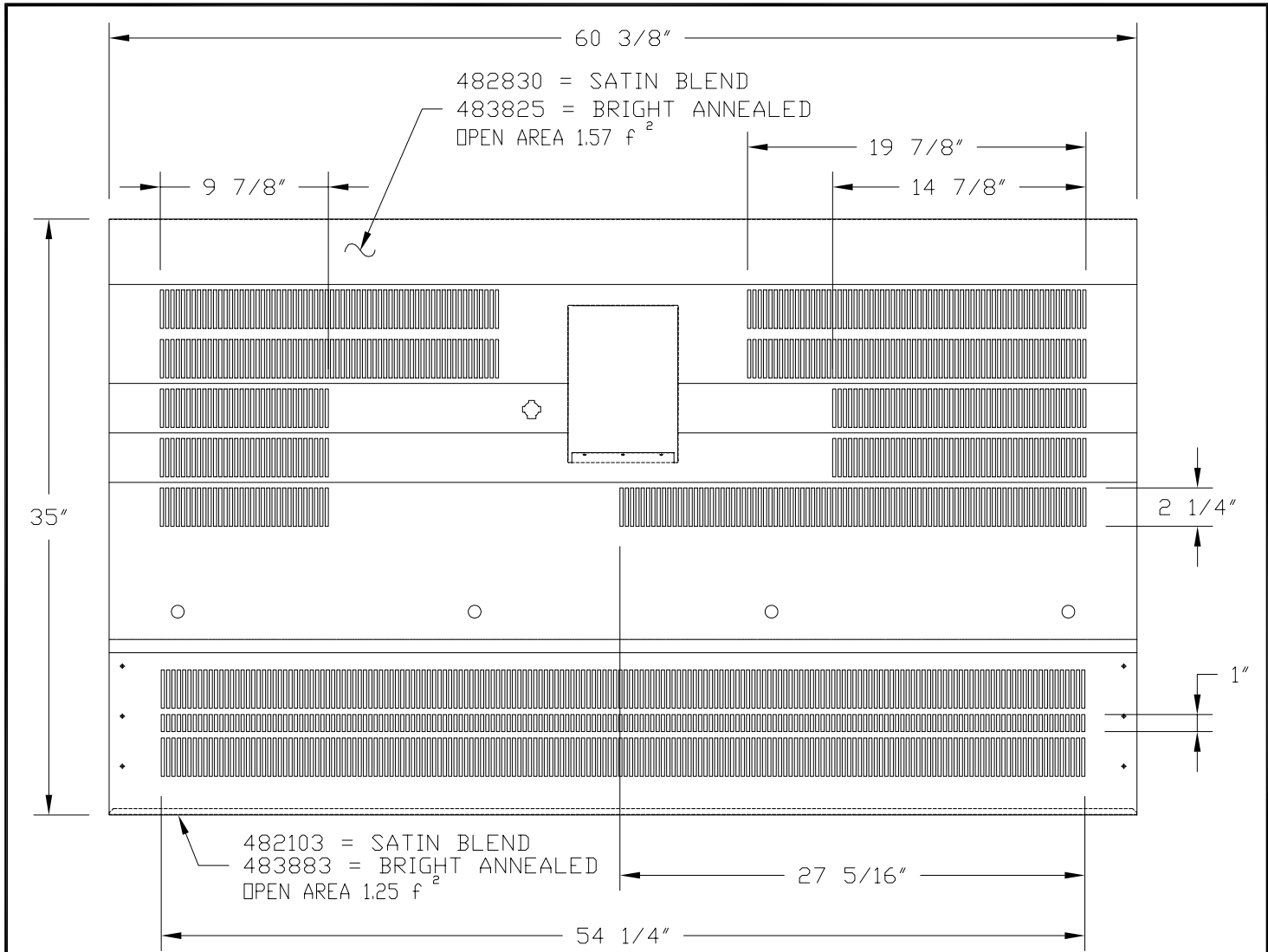
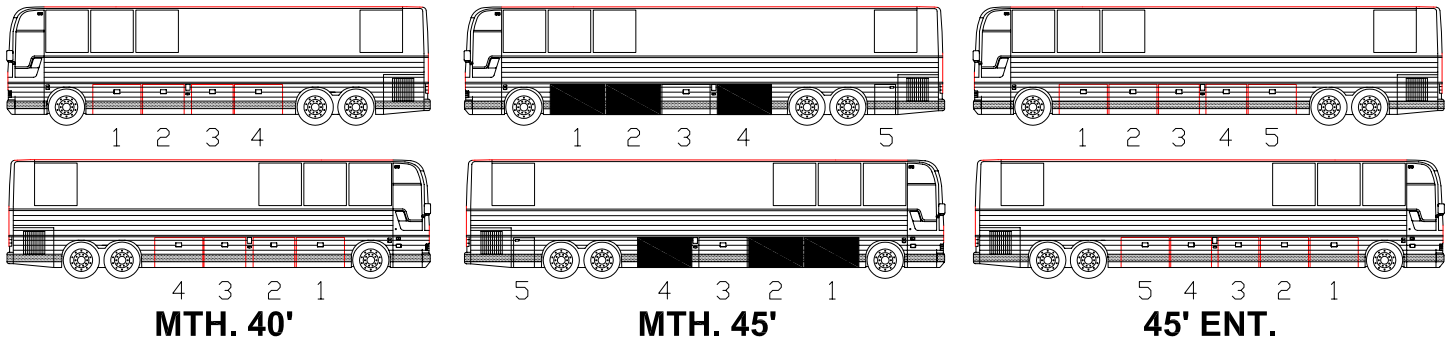


EXTERIOR VIEW

NOTE:
-LARGE LUGGAGE DOOR FOR MTH 45'

TOTAL PERFORATED AREA: 2.79 f ²	EFF : Y-7046		DOOR ASSY ONLY IN SERVICE PART	N.A.
	PRIOR:			
DATE: 04-07	WITH INSULATION		OPTION LIST	482878
REV.: B	WITHOUT INSULATION	X		

PREVOST *Le Mirage XL*

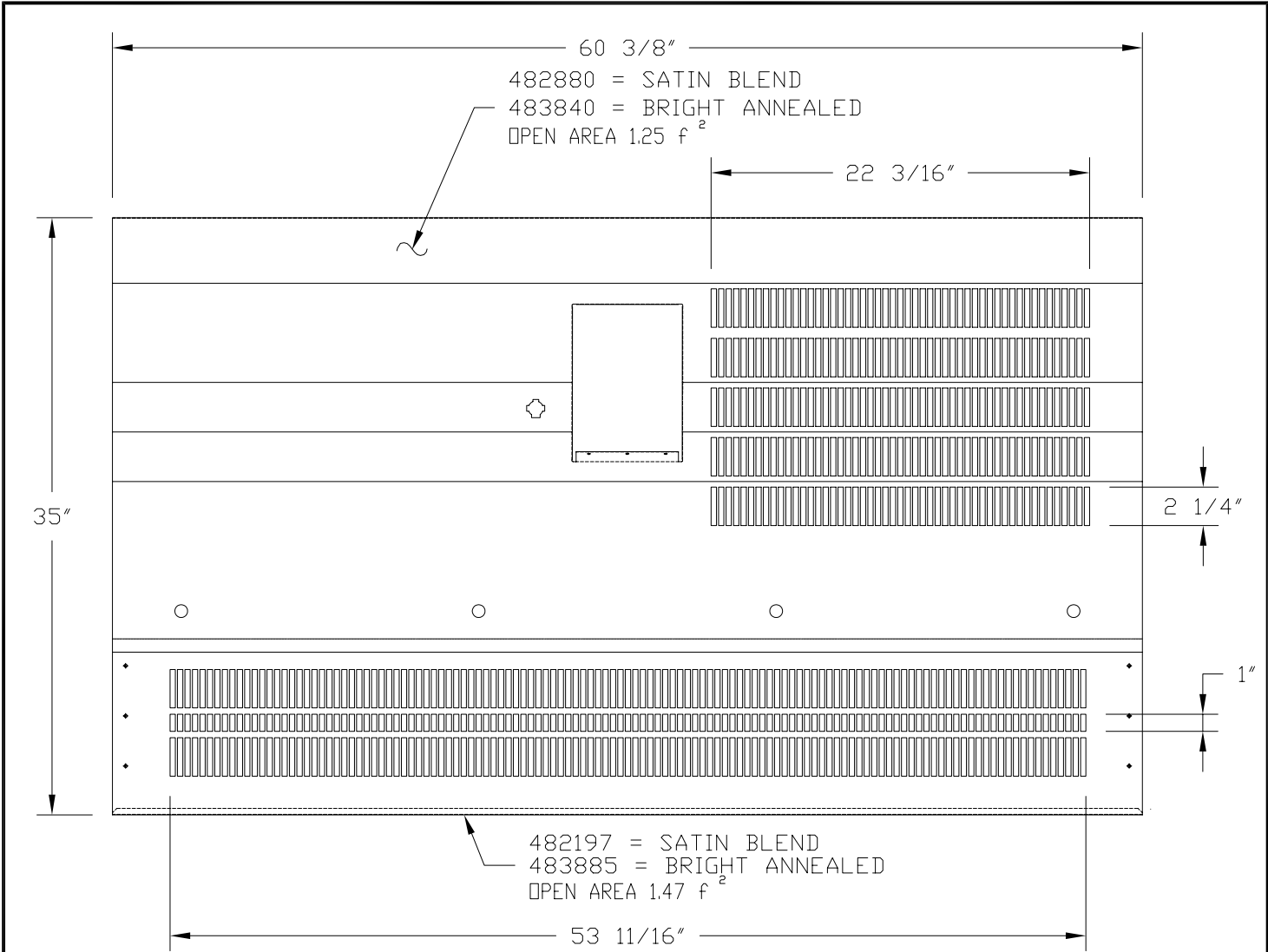
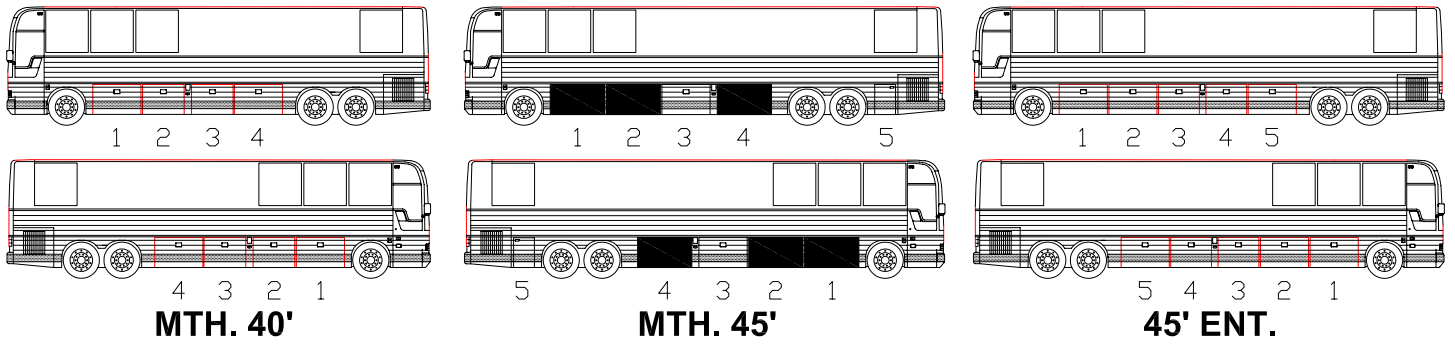


EXTERIOR VIEW

NOTE:
-LARGE LUGGAGE DOOR FOR MTH 45'

TOTAL PERFORATED AREA: 2.82 f ²	EFF : Y-7046		DOOR ASSY ONLY IN SERVICE PART	N.A.
	PRIOR:			
DATE: 04-07	WITH INSULATION		OPTION LIST	482879
REV. : B	WITHOUT INSULATION	X		

PREVOST *Le Mirage XL*

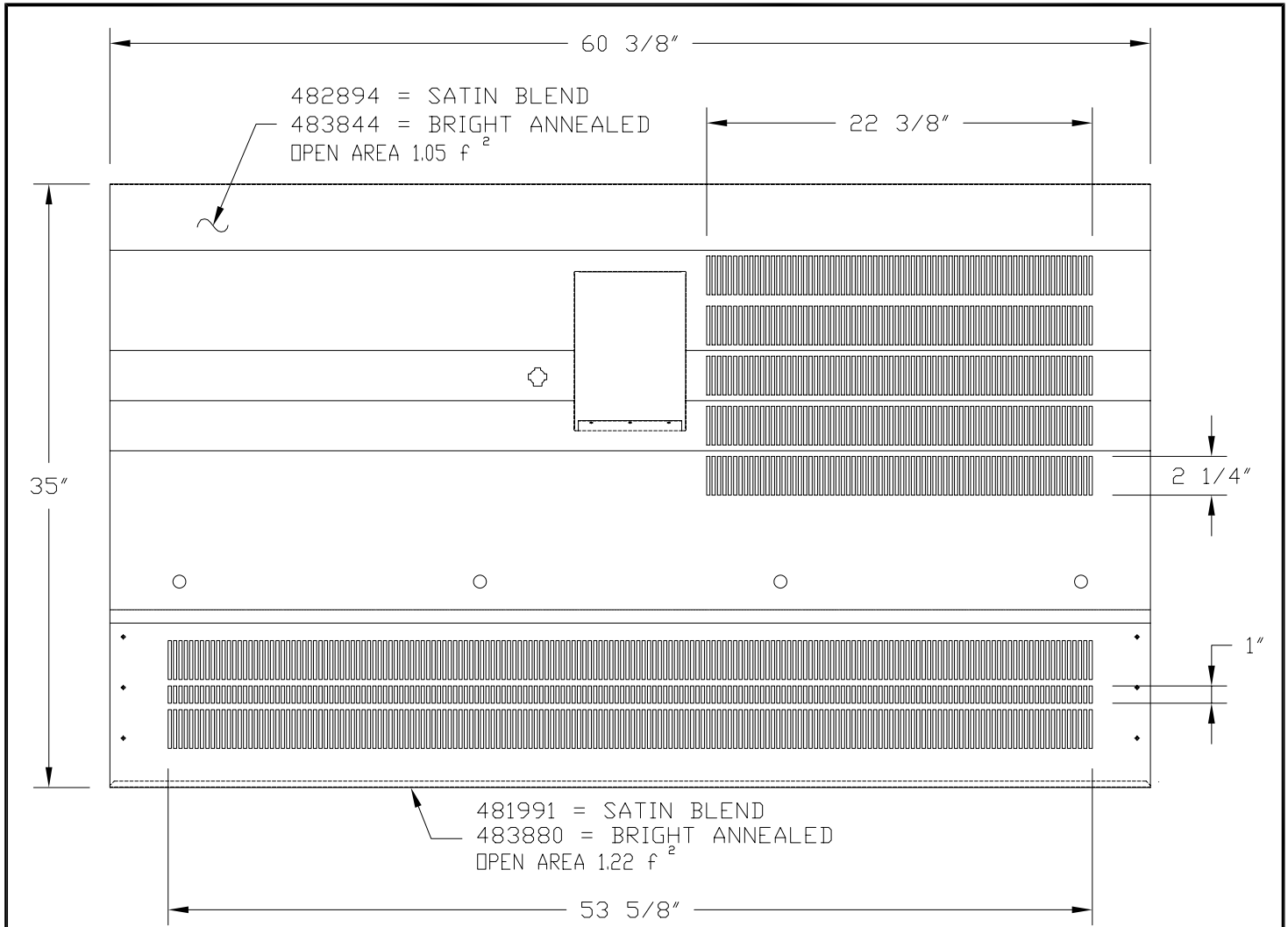
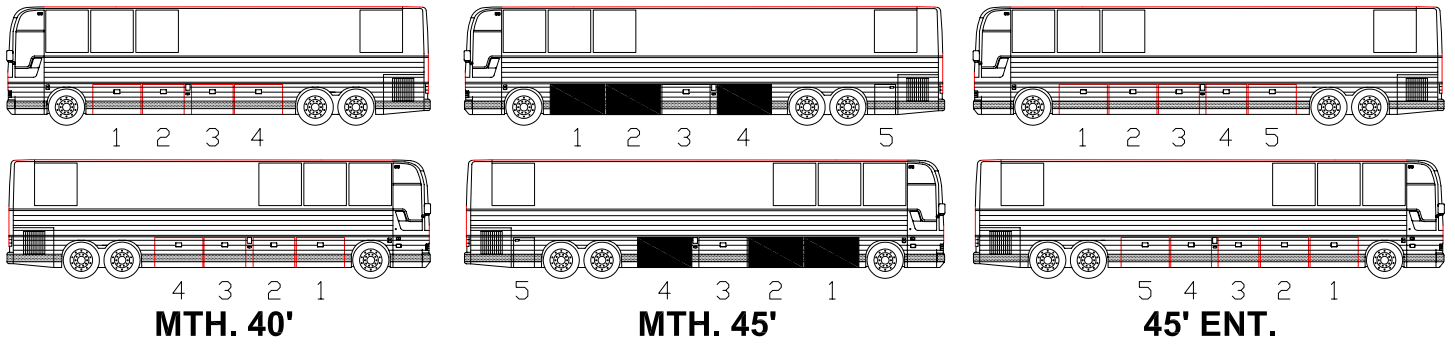


EXTERIOR VIEW

NOTE:
-LARGE LUGGAGE DOOR FOR MTH 45'

TOTAL PERFORATED AREA: 2.72 f ²	EFF : Y-7046		DOOR ASSY ONLY IN SERVICE PART	N.A.
	PRIOR:			
DATE: 04-07	WITH INSULATION		OPTION LIST	482881
REV.: B	WITHOUT INSULATION	X		

PREVOST Le Mirage XL

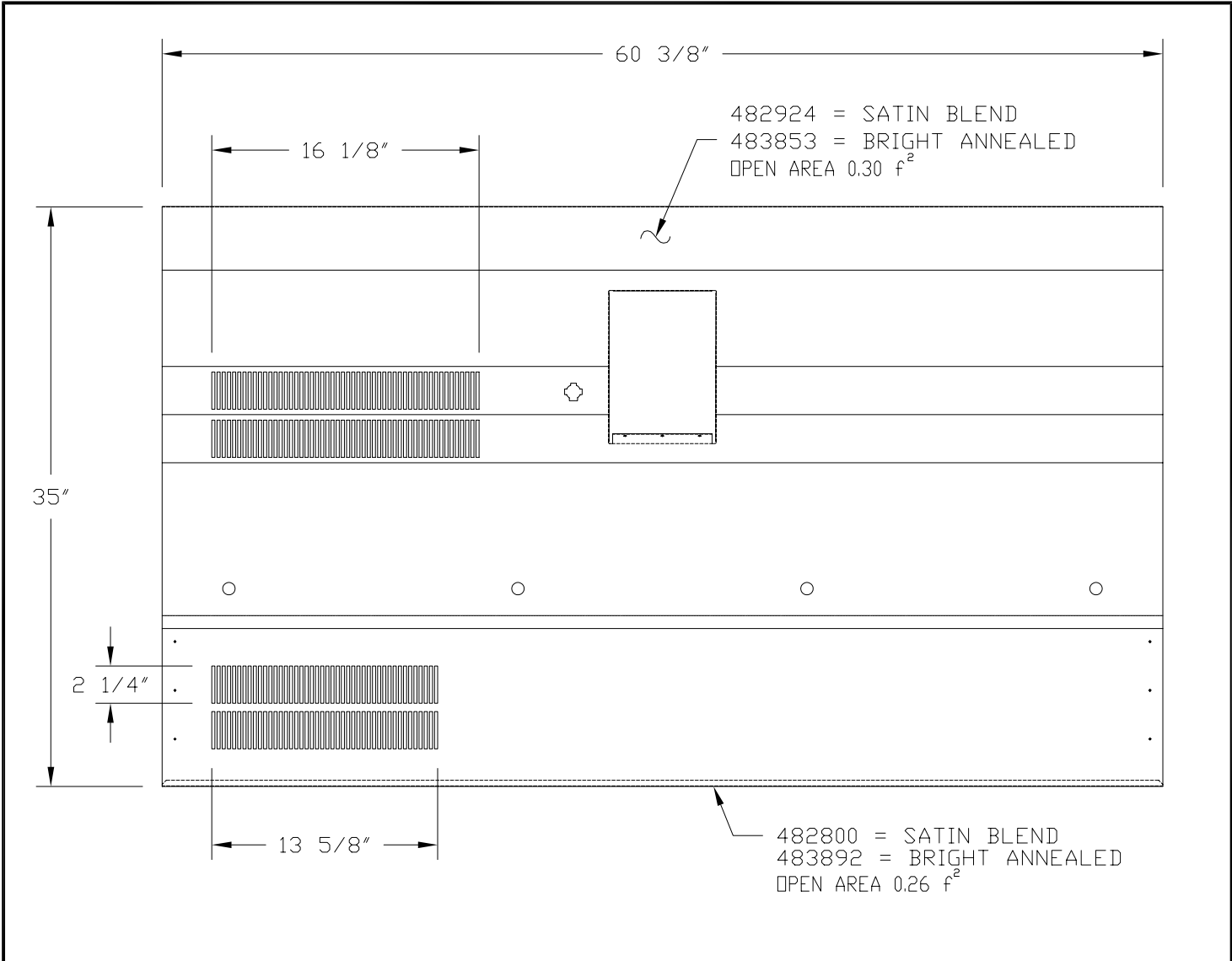
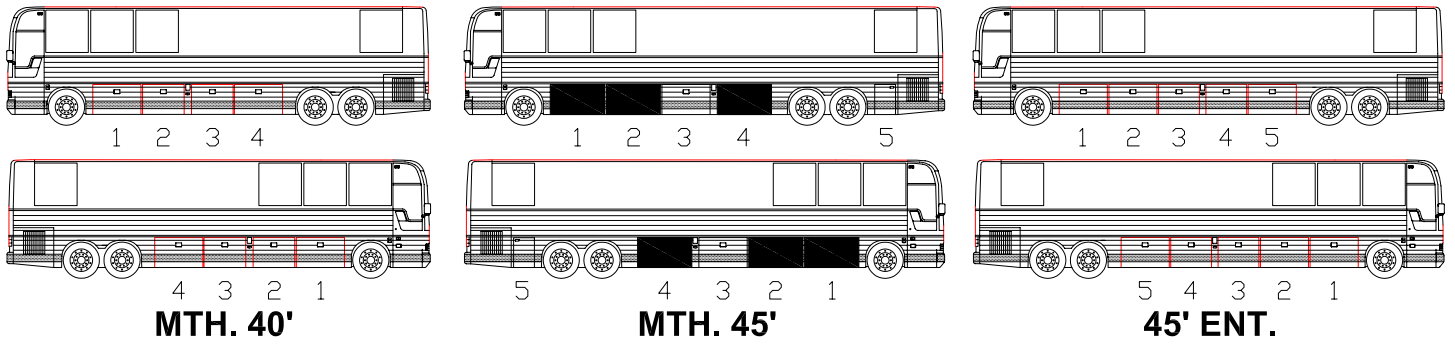


EXTERIOR VIEW

NOTE:
-LARGE LUGGAGE DOOR FOR MTH 45'

TOTAL PERFORATED AREA: 2.27 f ²	EFF : Y-7046		DOOR ASSY ONLY IN SERVICE PART	N.A.
	PRIOR:			
DATE: 04-07	WITH INSULATION		OPTION LIST	482893
REV. : B	WITHOUT INSULATION	X		

PREVOST® Le Mirage XL

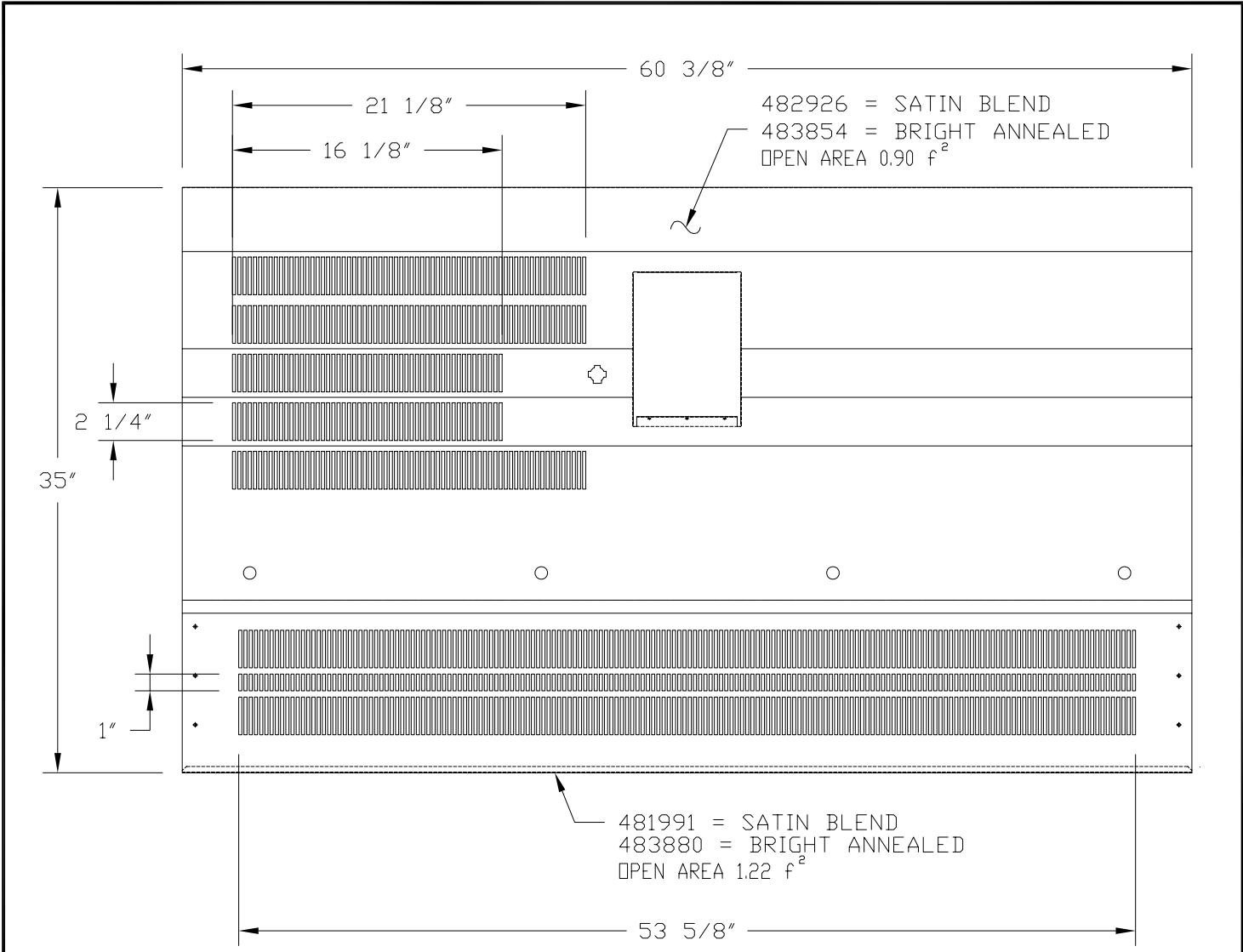
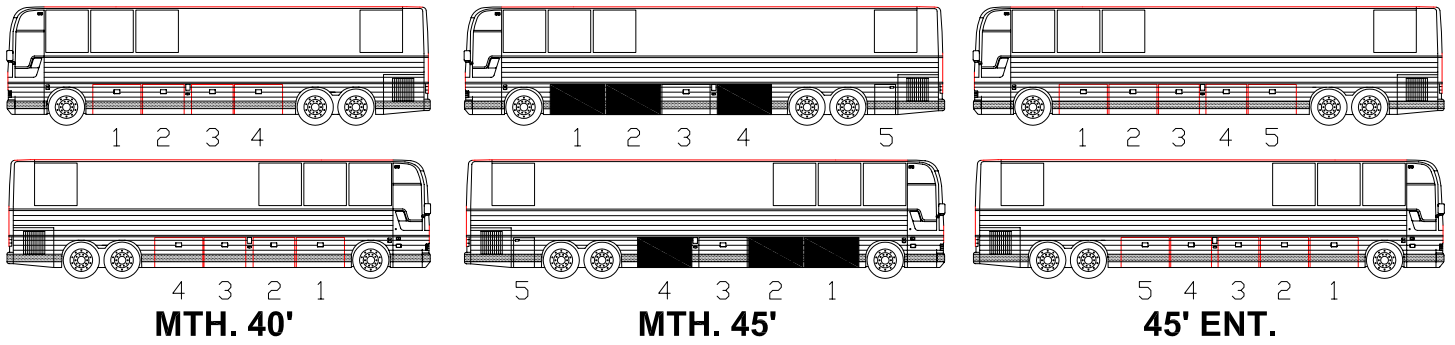


EXTERIOR VIEW

NOTE:
-LARGE LUGGAGE DOOR FOR MTH 45'

TOTAL PERFORATED AREA: 0.56 f ²	EFF : Y-7046		DOOR ASSY ONLY IN SERVICE PART	N.A.
	PRIOR:			
DATE: 04-07	WITH INSULATION		OPTION LIST	482923
REV. : B	WITHOUT INSULATION	X		

PREVOST Le Mirage XL

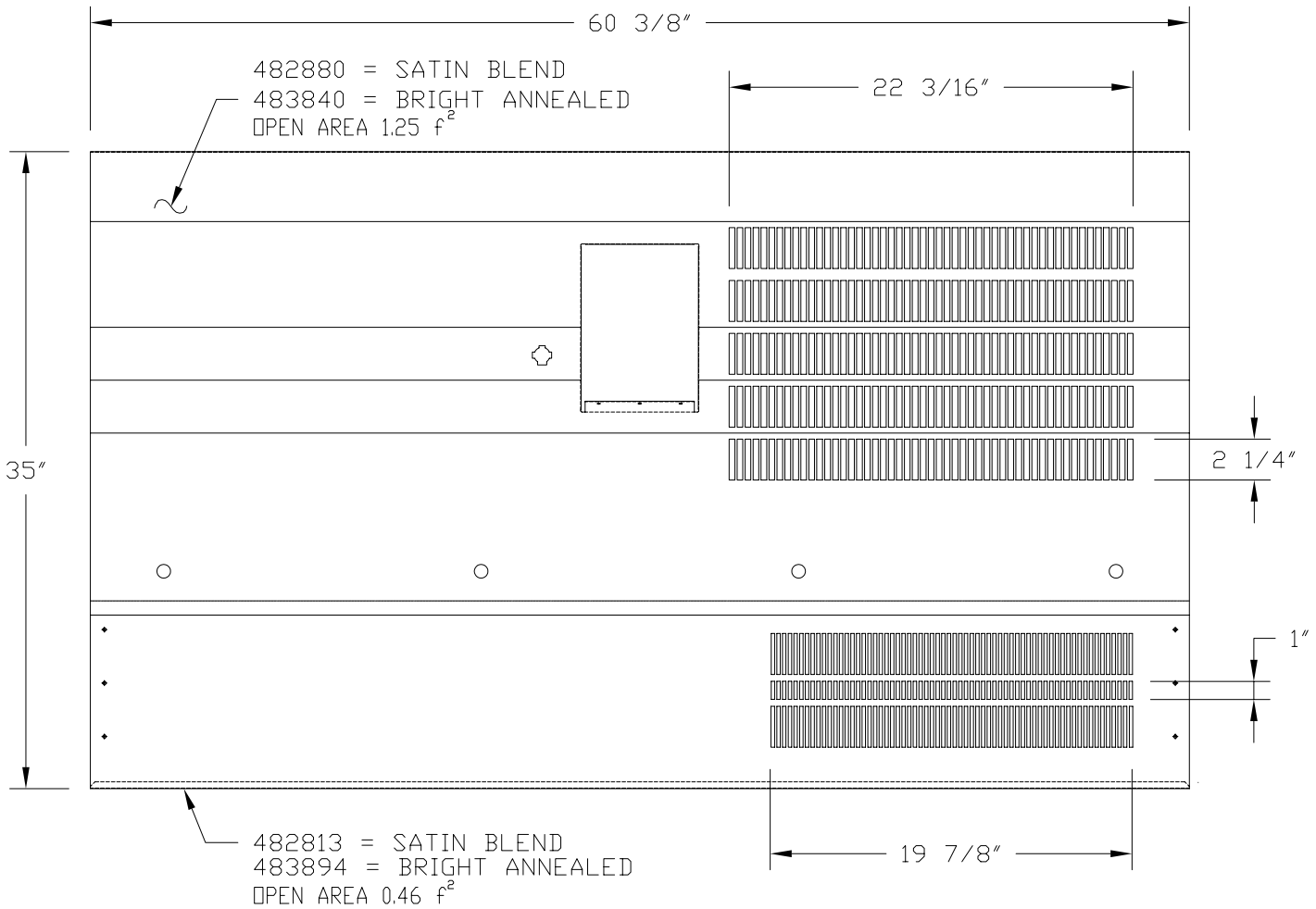
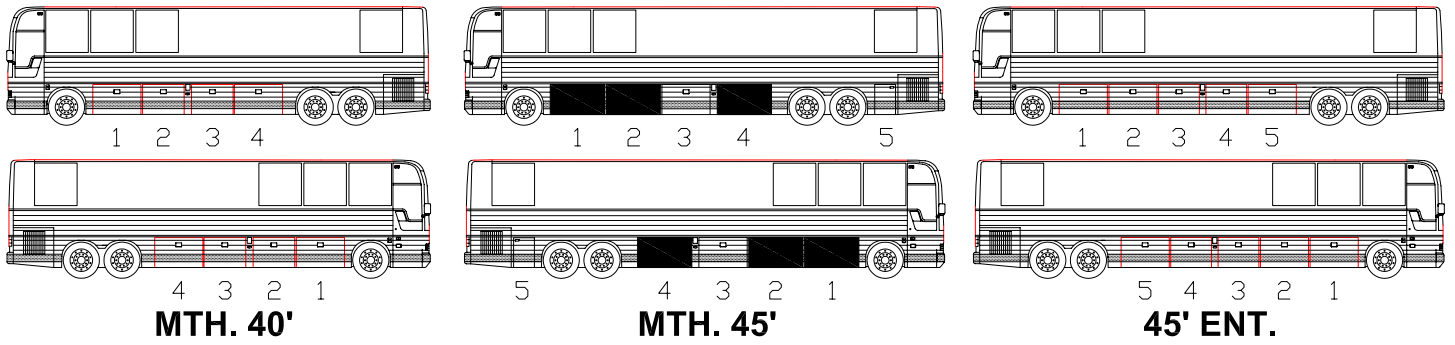


EXTERIOR VIEW

NOTE:
-LARGE LUGGAGE DOOR FOR MTH 45'

TOTAL PERFORATED AREA: 2.12 f ²	EFF : Y-7046		DOOR ASSY ONLY IN SERVICE PART	N.A.
	PRIOR:			
DATE: 04-07	WITH INSULATION		OPTION LIST	482925
REV. : B	WITHOUT INSULATION	X		

PREVOST Le Mirage XL

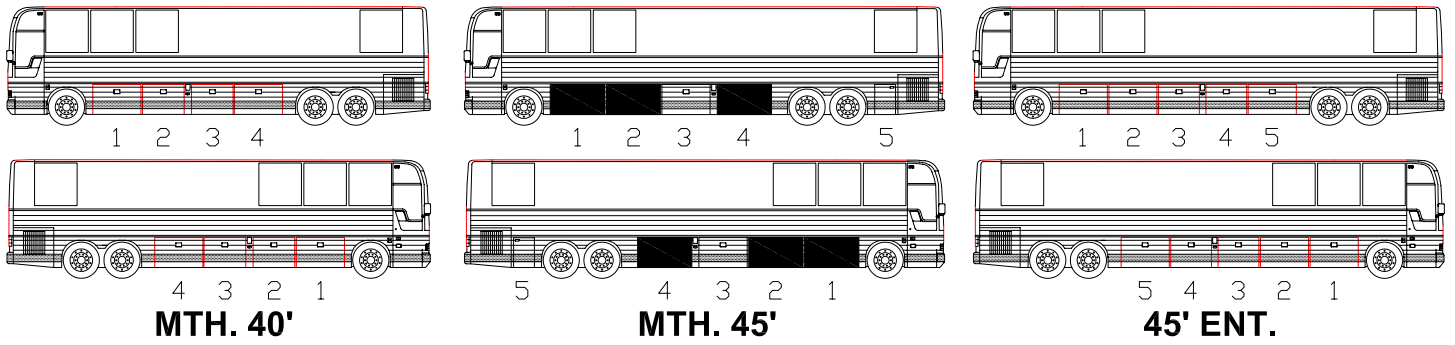


EXTERIOR VIEW

NOTE:
-LARGE LUGGAGE DOOR FOR MTH 45'

TOTAL PERFORATED AREA: 1.71 f ²	EFF : Y-7046		DOOR ASSY ONLY IN SERVICE PART	N.A.
	PRIOR:			
DATE: 04-07	WITH INSULATION		OPTION LIST	482928
REV.: B	WITHOUT INSULATION	X		

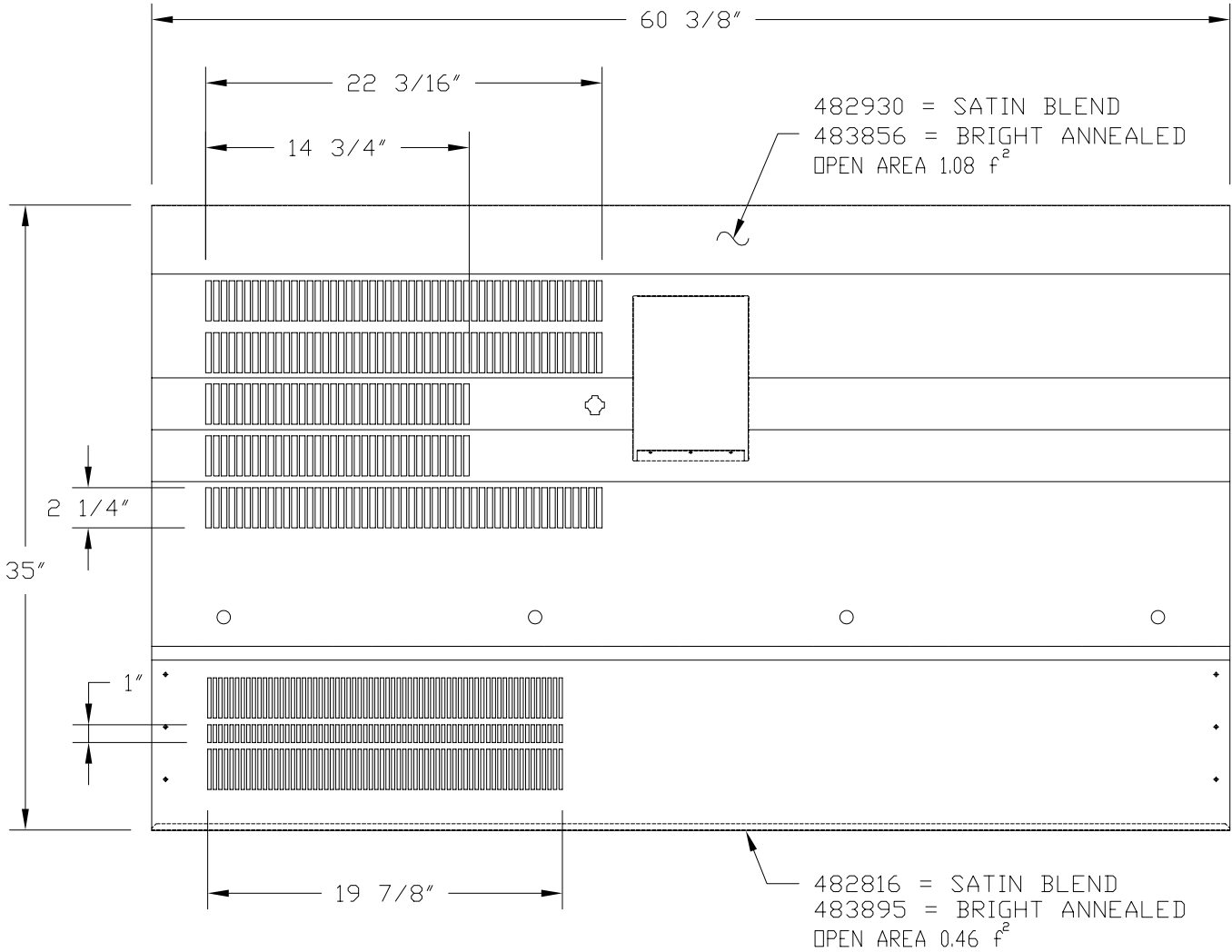
PREVOST Le Mirage XL



MTH. 40'

MTH. 45'

45' ENT.

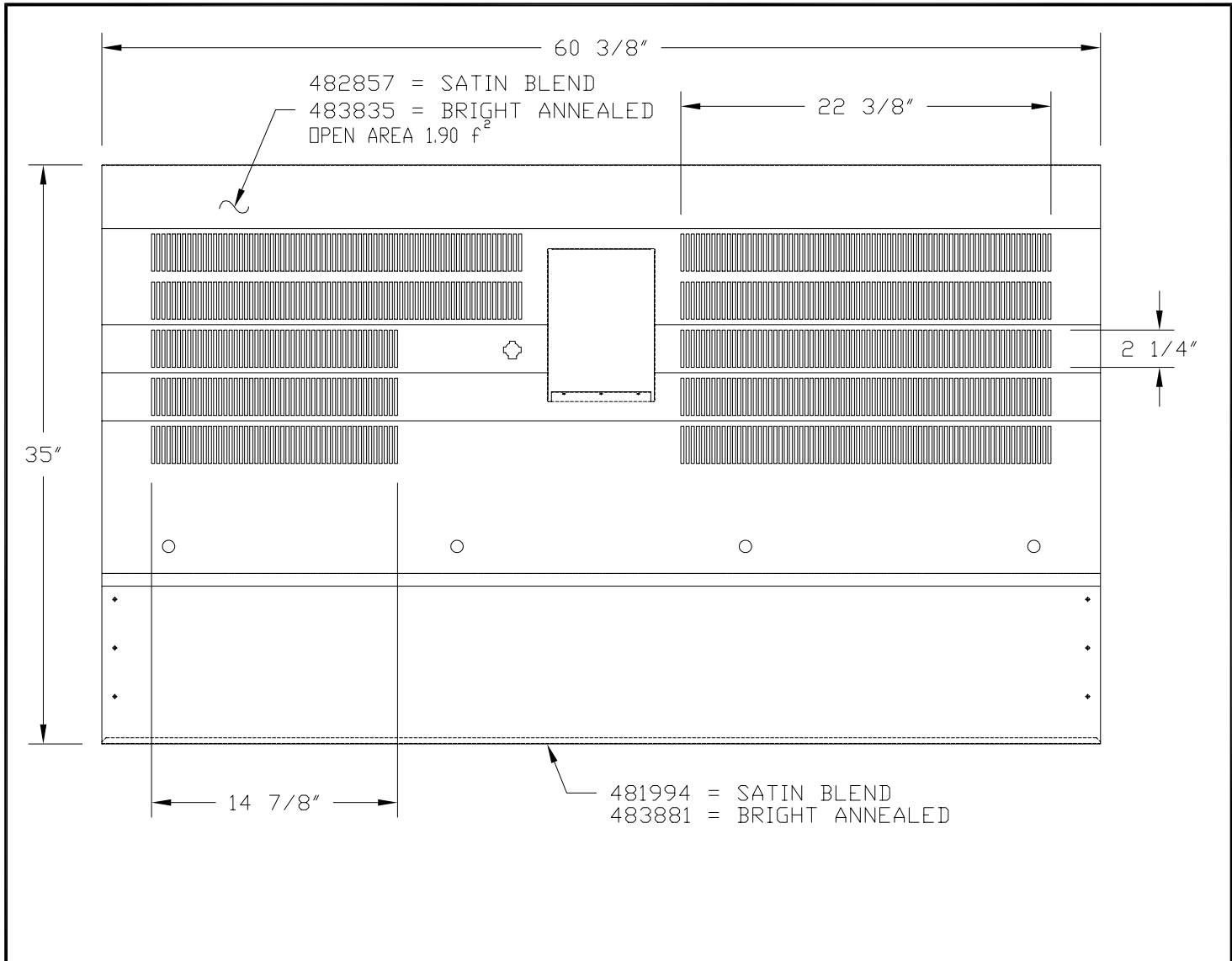
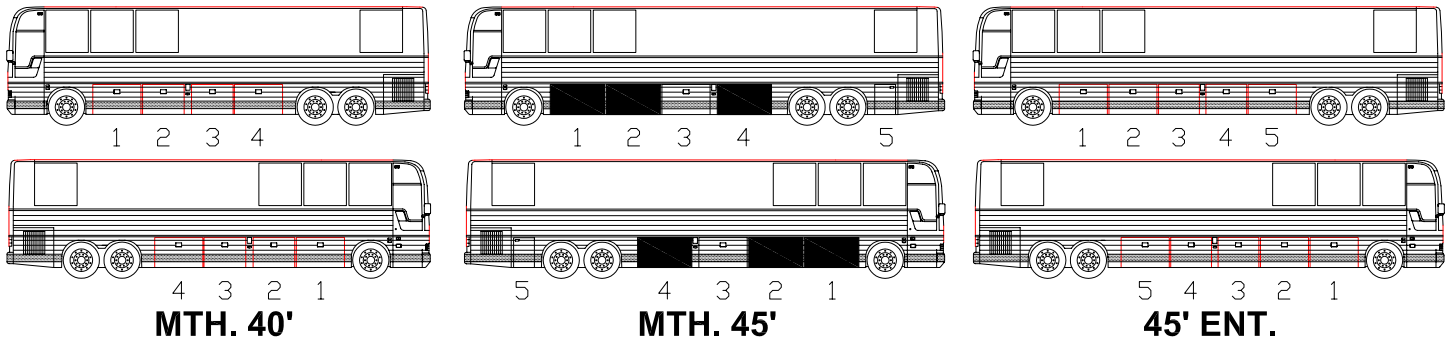


EXTERIOR VIEW

NOTE:
-LARGE LUGGAGE DOOR FOR MTH 45'

TOTAL PERFORATED AREA: 1.54 f ²	EFF : Y-7046		DOOR ASSY ONLY IN SERVICE PART	N.A.
	PRIOR:			
DATE: 04-07	WITH INSULATION		OPTION LIST	482929
REV. : B	WITHOUT INSULATION	X		

PREVOST Le Mirage XL

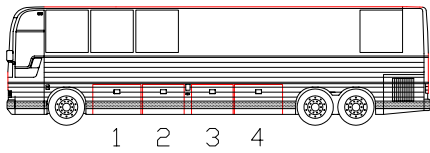


EXTERIOR VIEW

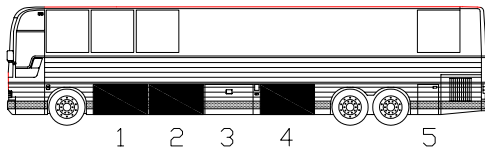
NOTE:
-LARGE LUGGAGE DOOR FOR MTH 45'

TOTAL PERFORATED AREA: 1.90 f ²	EFF : Y-7046		DOOR ASSY ONLY IN SERVICE PART	N.A.
	PRIOR:			
DATE: 09-07	WITH INSULATION		OPTION LIST	482933
REV. : B	WITHOUT INSULATION	X		

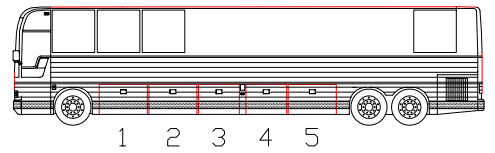
PREVOST *Le Mirage XL*



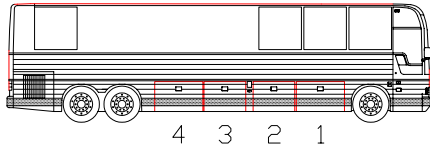
1 2 3 4



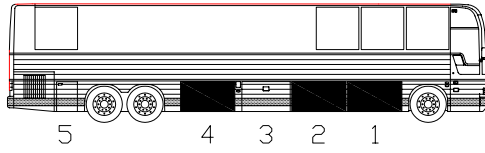
1 2 3 4 5



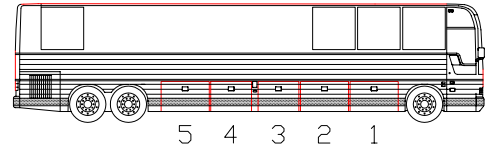
1 2 3 4 5



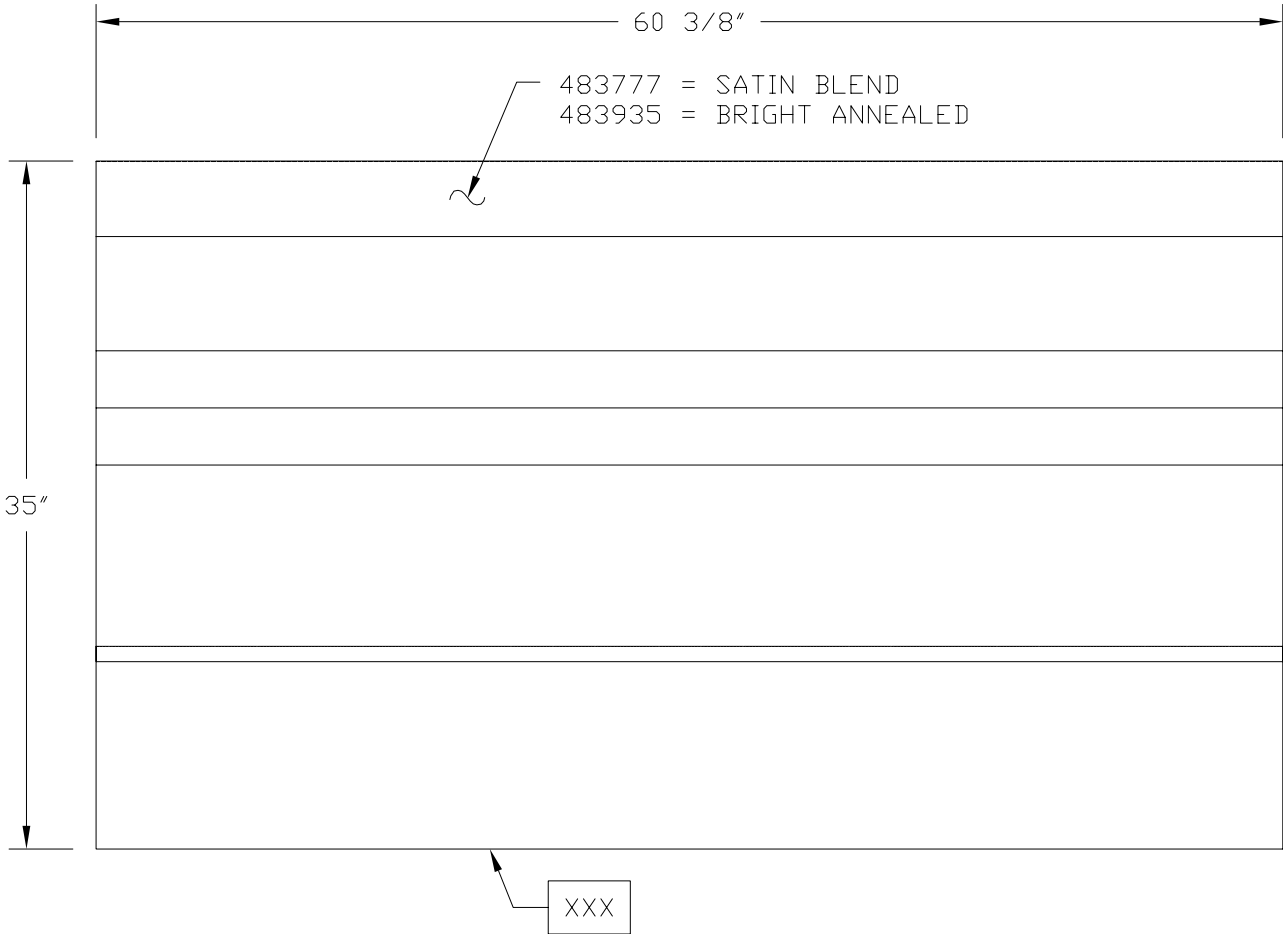
4 3 2 1
MTH. 40'



5 4 3 2 1
MTH. 45'



5 4 3 2 1
45' ENT.

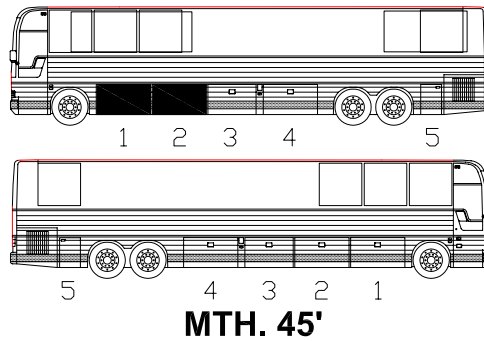


EXTERIOR VIEW

NOTE:
-LARGE LUGGAGE DOOR FOR MTH 45' / WHITOUT HANDLE

TOTAL PERFORATED AREA: 0.00 f ²	EFF : Y-7046	SERVICE PART ONLY	483777
	PRIOR:		
DATE: 04-07	WITH INSULATION	OPTION LIST	4760L
REV. :	WITHOUT INSULATION		

PREVOST® *Le Mirage XL*



60" BAGGAGE DOORS HINGE - "SLIDE-OUT"

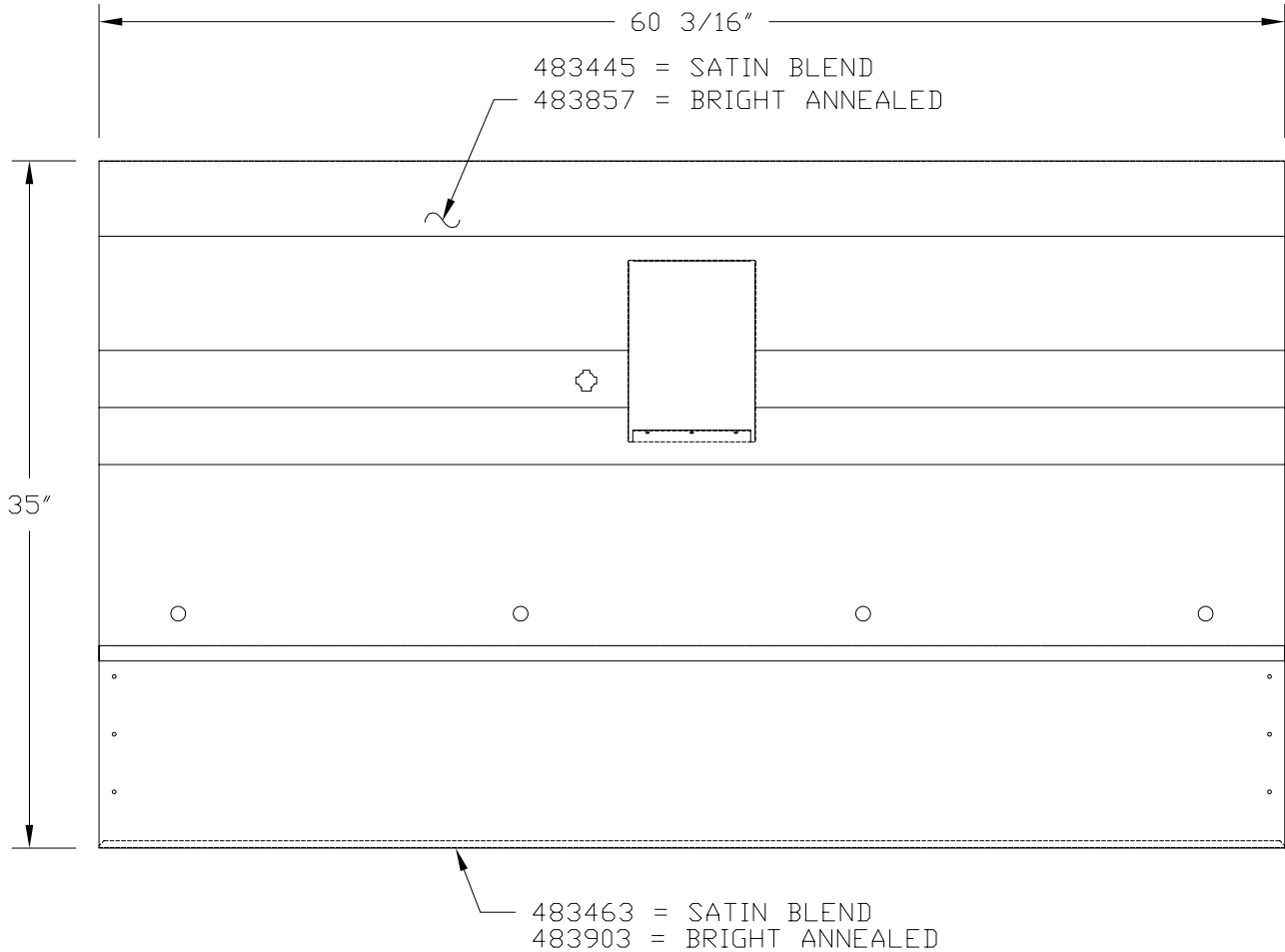
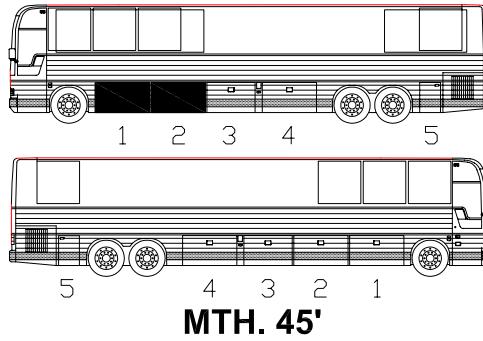
WITH OPTION LIST	UPPER PANEL	LOWER PANEL	PERFORATED AREA F ²	INSULATION	SATIN BLEND SS	BRIGHT SS
475340	483445	483463	NO		X	
475340	483857	483903	NO			X
475341	483503	483504	0.50		X	
475341	483858	483905	0.50			X
475342	483505	483523	1.71		X	
475342	483859	483910	1.71			X
4760A	483510	483511	3.13		X	
4760A	483862	483908	3.13			X
4760B	483509	483463	1.57		X	
4760B	483861	483903	1.57			X
4760C	483507	483508	1.54		X	
4760C	483860	483907	1.54			X
4760D	483445	483511	1.22		X	
4760D	483857	483908	1.22			X
4760E	483509	483511	2.79		X	
4760E	483861	483908	2.79			X
4760F	483510	483463	1.90		X	
4760F	483862	483903	1.90			X
4760G	483505	483506	2.72		X	
4760G	483859	483906	2.72			X
4760H	483512	483511	2.27		X	
4760H	483863	483908	2.27			X

DOTTED AREAS ARE NOT IN PRODUCTION AT TIME OF PRINTING.

DATE: 04-07

REV.: A

PREVOST® *Le Mirage XL*

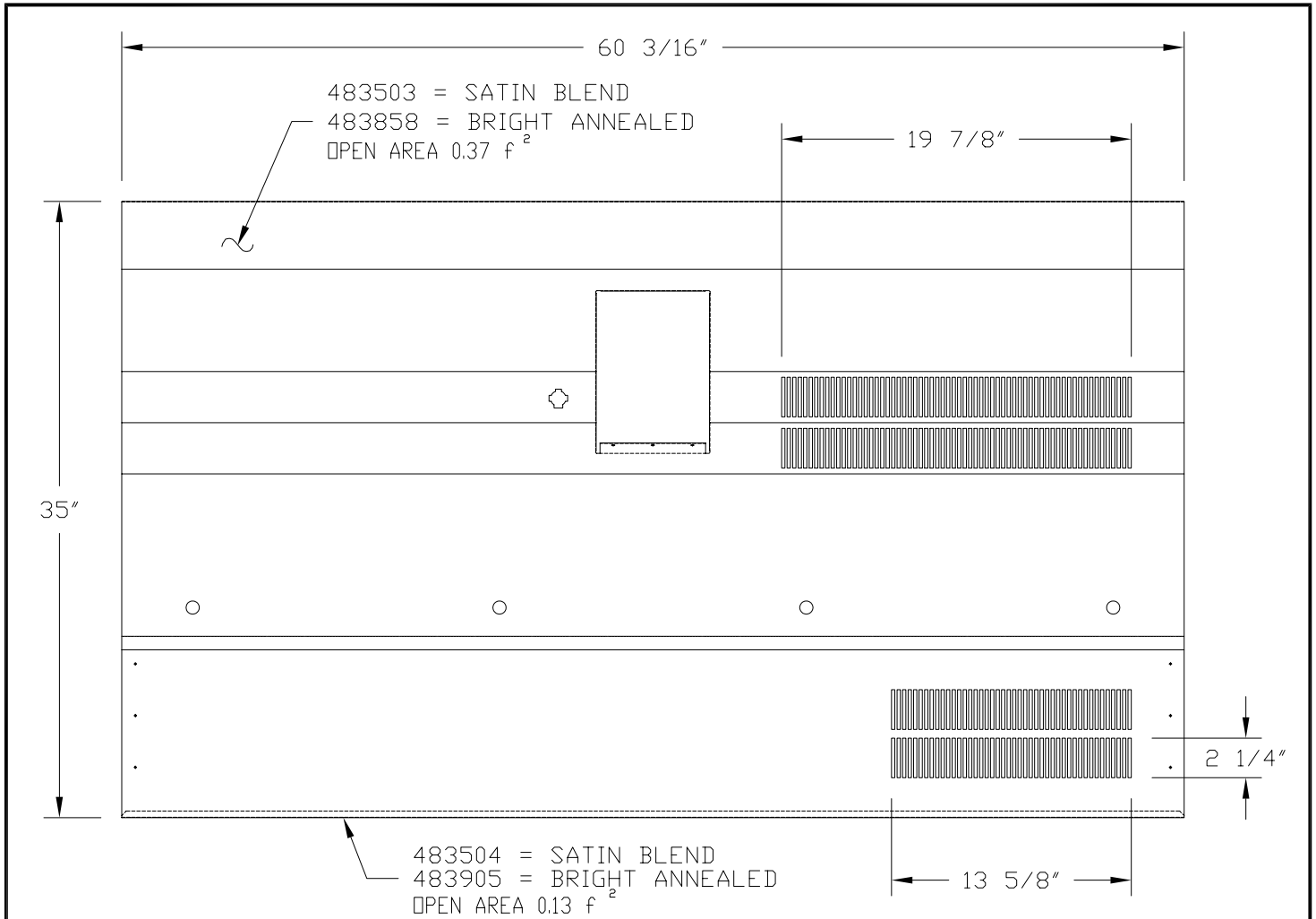
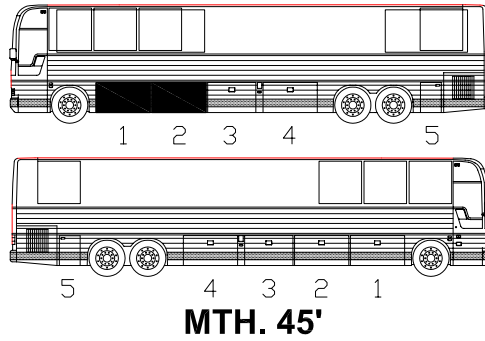


EXTERIOR VIEW

NOTE
-LARGE LUGGAGE DOOR FOR MTH 45'
UNDER FRONT "SLIDE-OUT"

TOTAL PERFORATED AREA: 0.00 f ²	EFF : 2-7761		DOOR ASSY ONLY IN SERVICE PART	483650
	PRIOR:			
DATE: 04-07	WITH INSULATION	X	USE WITH OPTION LIST	475340
REV. : A	WITHOUT INSULATION			

PREVOST® *Le Mirage XL*



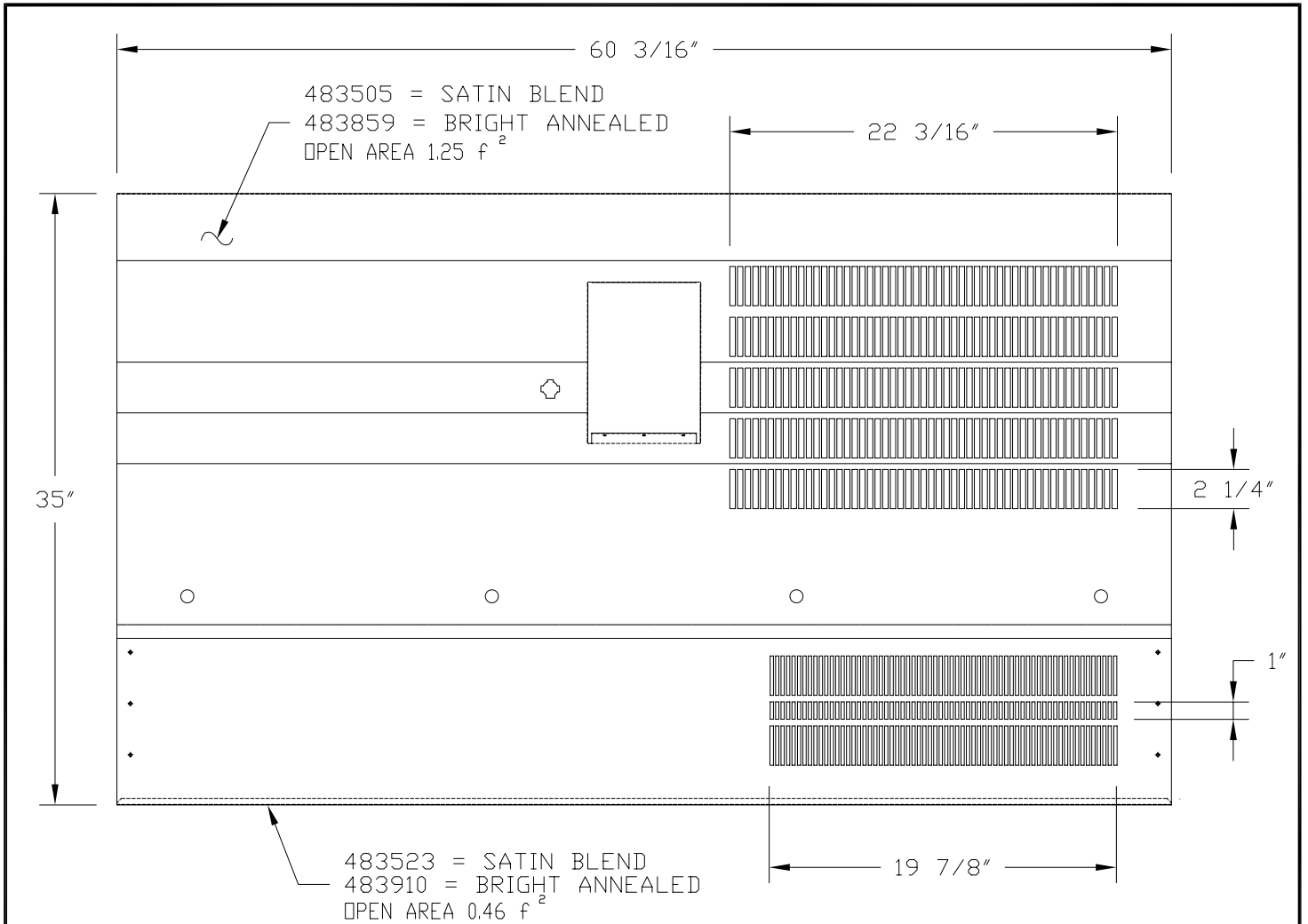
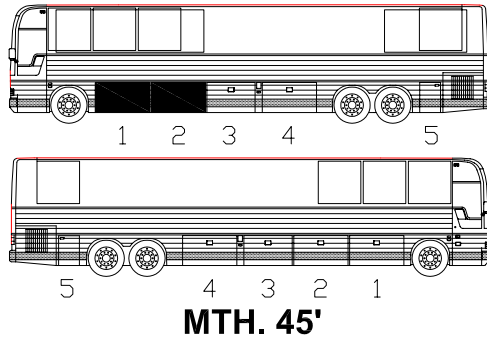
EXTERIOR VIEW

NOTE

**-LARGE LUGGAGE DOOR FOR MTH 45'
UNDER FRONT "SLIDE-OUT"**

TOTAL PERFORATED AREA: 0.50 f ²	EFF : 2-7761		DOOR ASSY ONLY IN SERVICE PART	N.A.
	PRIOR:			
DATE: 04-07	WITH INSULATION	X	USE WITH OPTION LIST	475341
REV.: A	WITHOUT INSULATION			

PREVOST® Le Mirage XL II



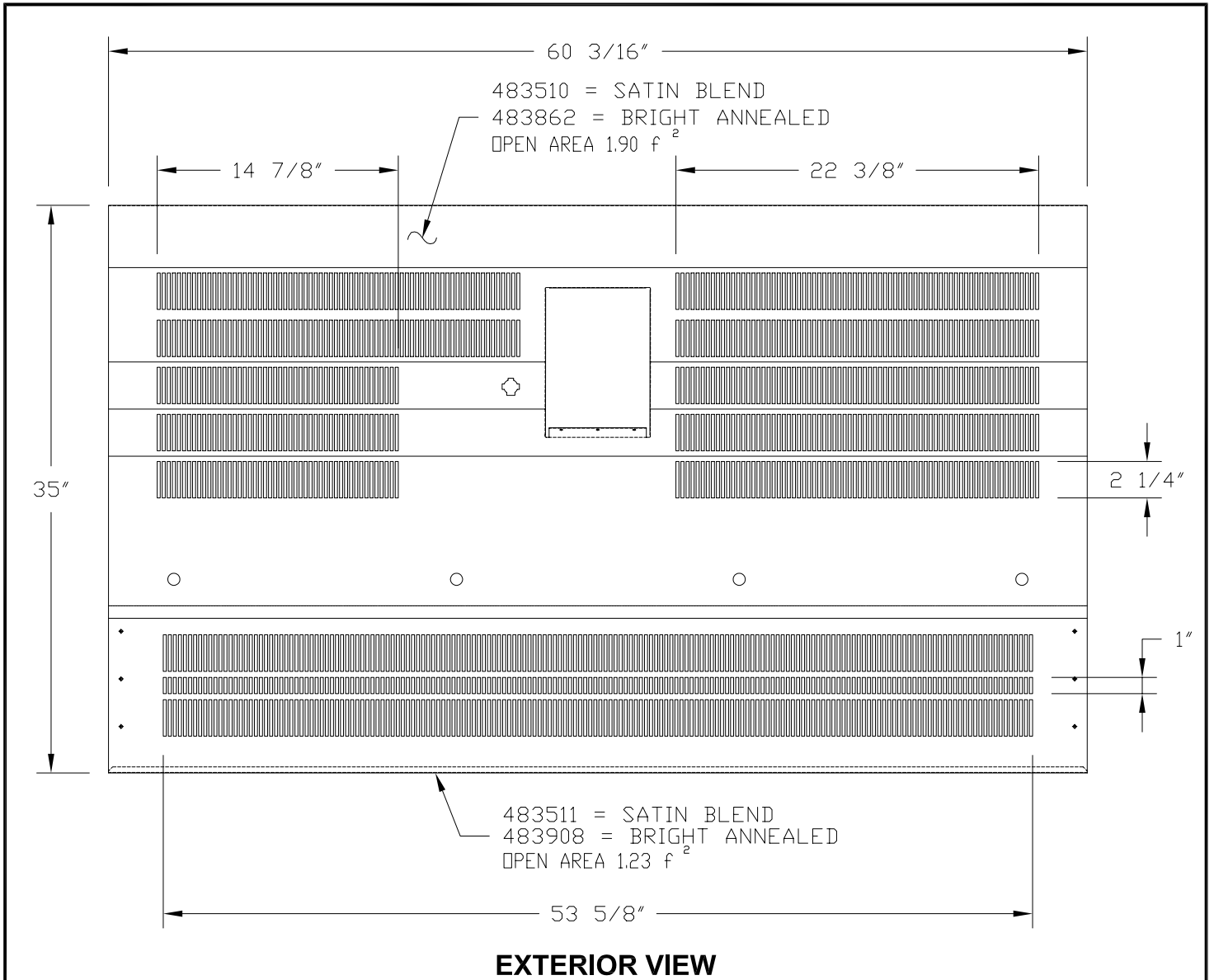
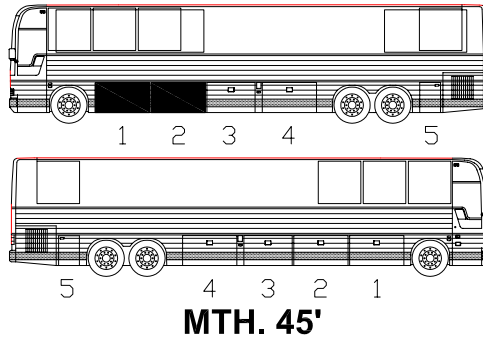
EXTERIOR VIEW

NOTE

-LARGE LUGGAGE DOOR FOR MTH 45'
UNDER FRONT "SLIDE-OUT"

TOTAL PERFORATED AREA: 1.71 f ²	EFF : 2-7761		DOOR ASSY ONLY IN SERVICE PART	N.A.
	PRIOR:			
DATE: 04-07	WITH INSULATION		USE WITH OPTION LIST	475342
REV. : A	WITHOUT INSULATION	X		

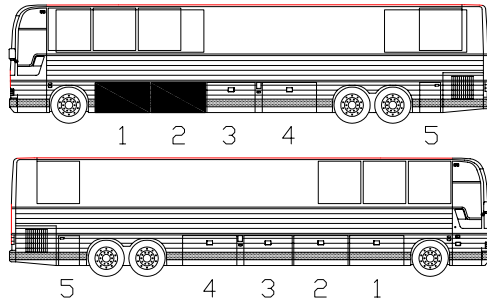
PREVOST *Le Mirage XL*



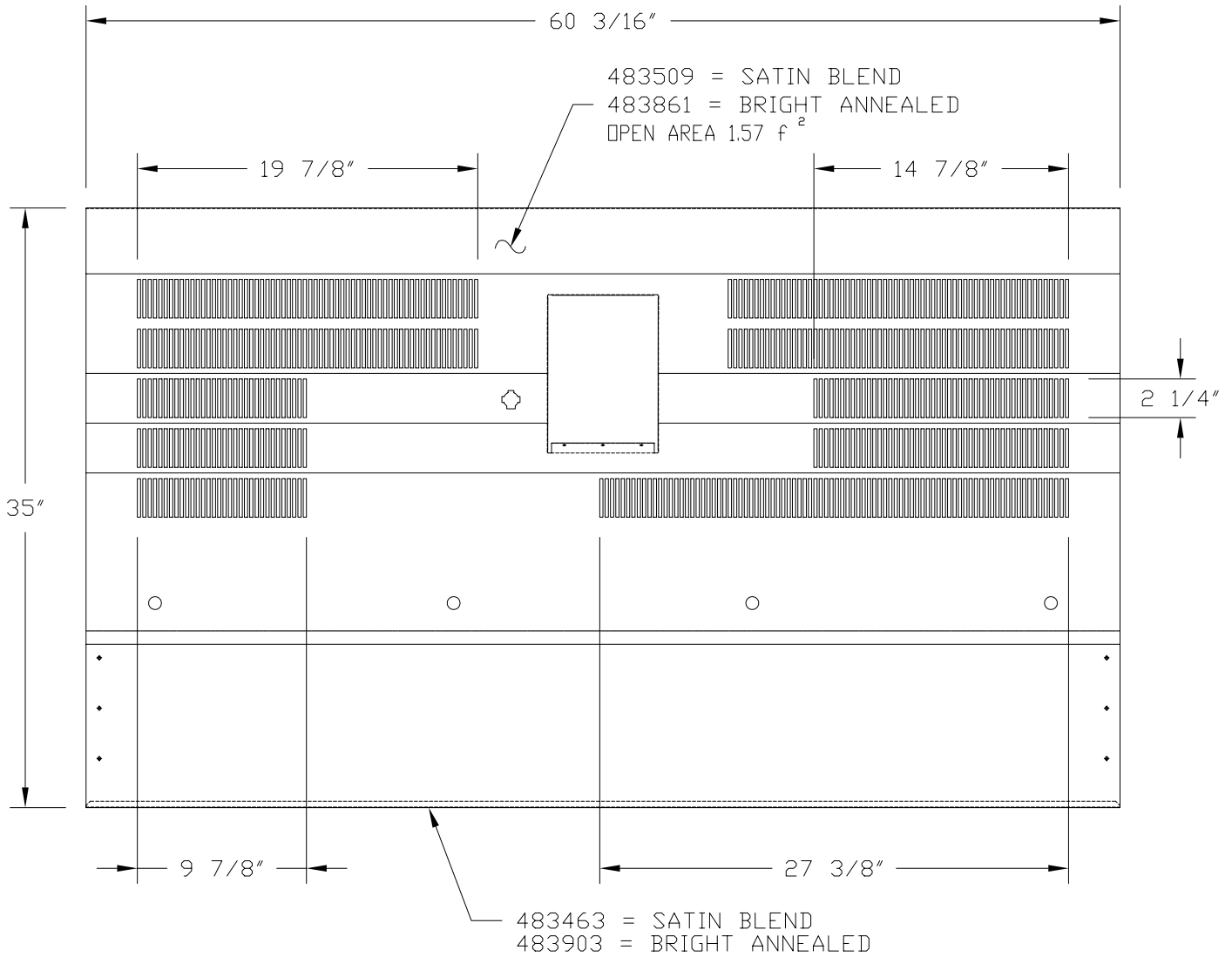
NOTE
-LARGE LUGGAGE DOOR FOR MTH 45'
UNDER FRONT "SLIDE-OUT"

TOTAL PERFORATED AREA: 3.13 f ²	EFF : 2-7761		DOOR ASSY ONLY IN SERVICE PART	N.A.
	PRIOR:			
DATE: 04-07	WITH INSULATION		REFERENCE ONLY	4760A
REV. : A	WITHOUT INSULATION	X		

PREVOST *Le Mirage XL*



MTH. 45'



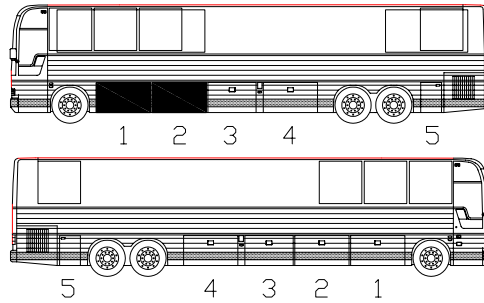
EXTERIOR VIEW

NOTE

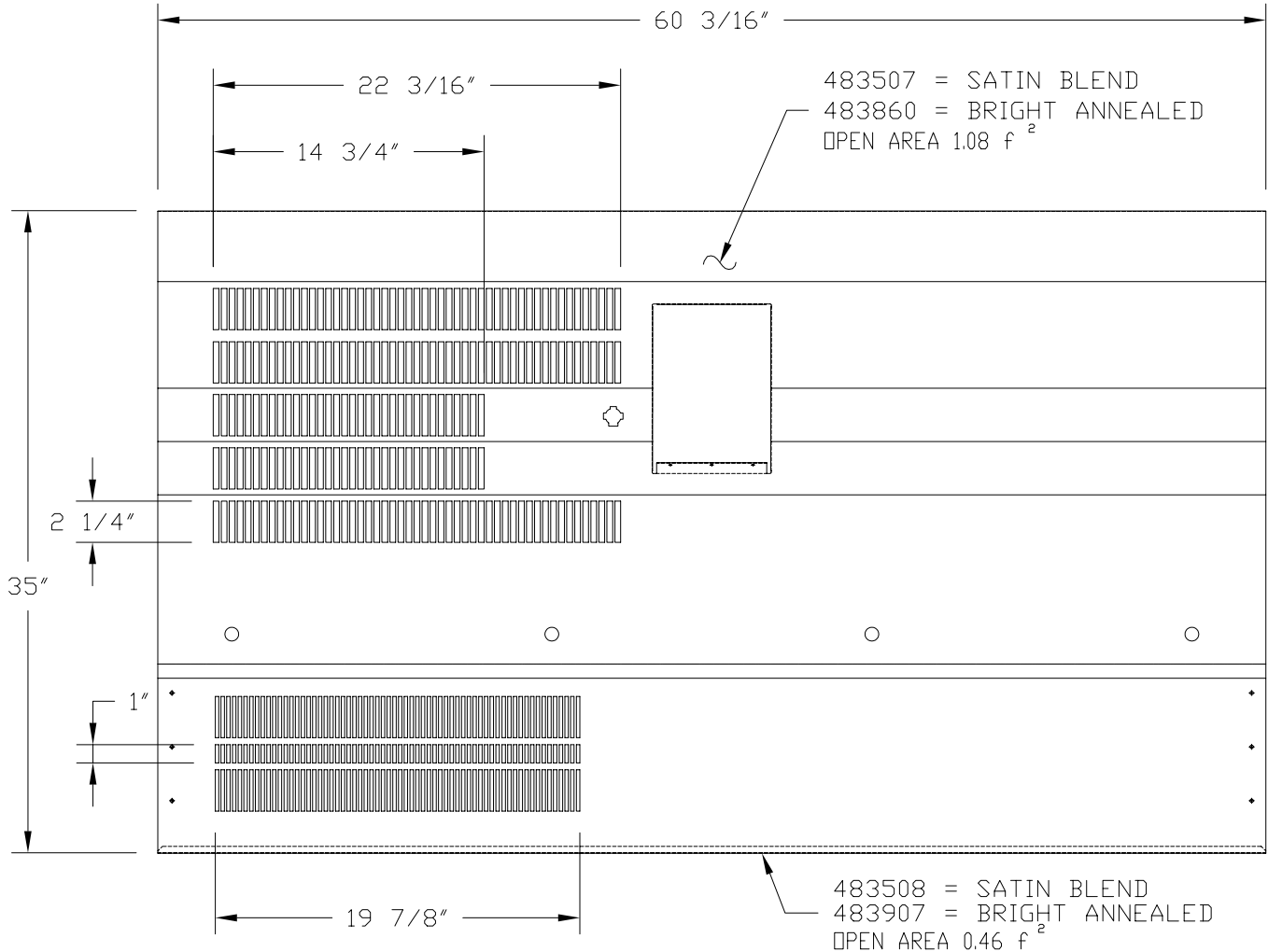
**-LARGE LUGGAGE DOOR FOR MTH 45'
UNDER FRONT "SLIDE-OUT"**

TOTAL PERFORATED AREA: 1.57 f ²	EFF : 2-7761		DOOR ASSY ONLY IN SERVICE PART	N.A.
	PRIOR:			
DATE: 04-07	WITH INSULATION	X	REFERENCE ONLY	4760B
REV.: A	WITHOUT INSULATION			

PREVOST *Le Mirage XL*



MTH. 45'



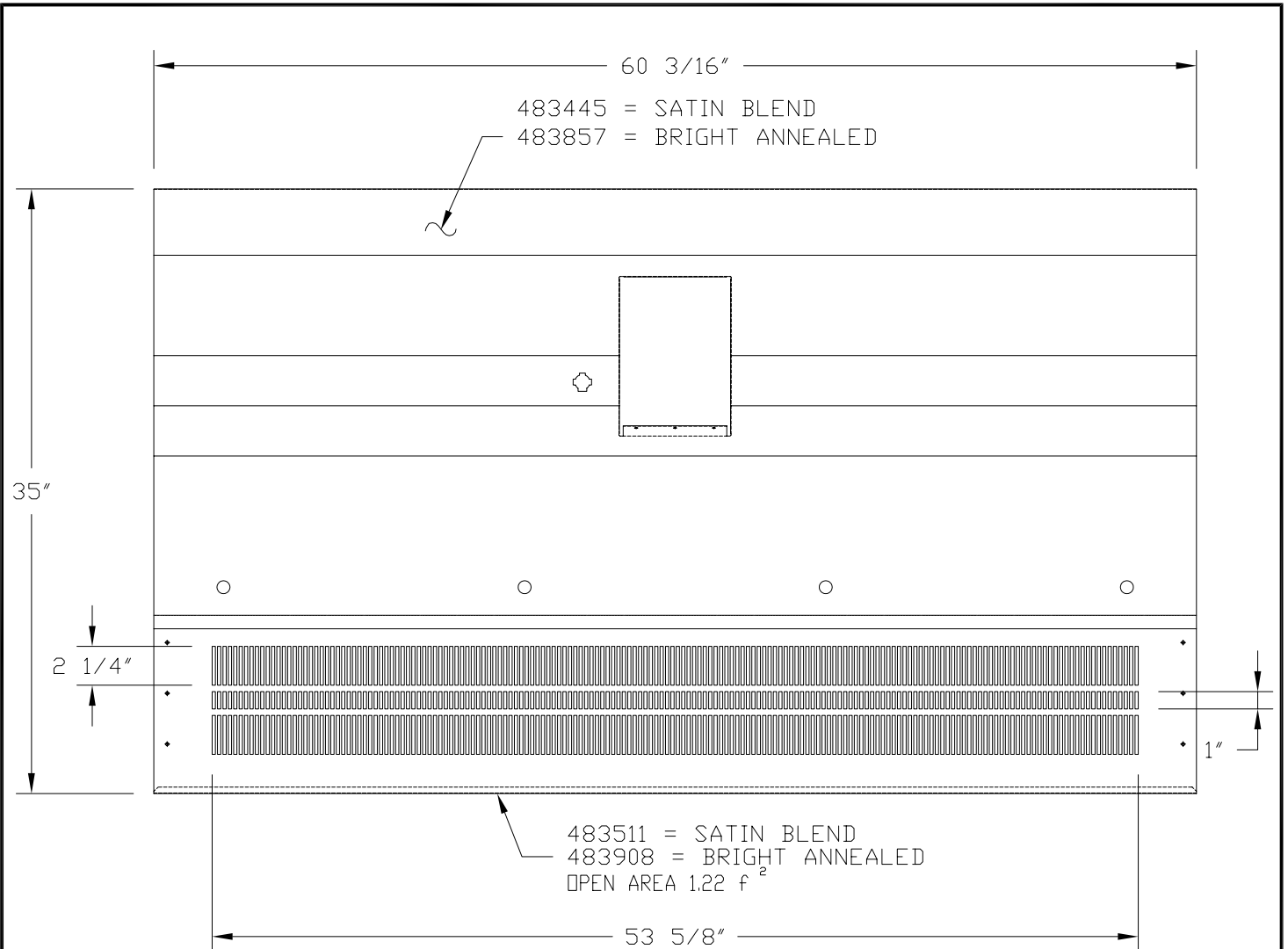
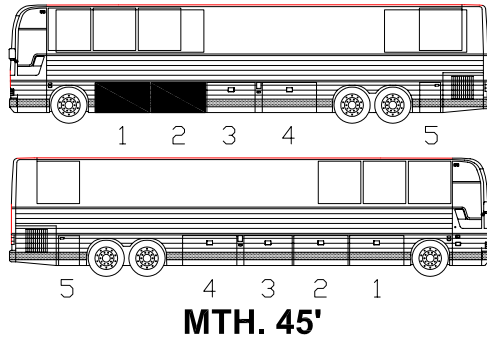
EXTERIOR VIEW

NOTE

**-LARGE LUGGAGE DOOR FOR MTH 45'
UNDER FRONT "SLIDE-OUT"**

TOTAL PERFORATED AREA: 1.54 f ²	EFF : 2-7761		DOOR ASSY ONLY IN SERVICE PART	N.A.
	PRIOR:			
DATE: 04-07	WITH INSULATION		REFERENCE ONLY	4760C
REV. : A	WITHOUT INSULATION	X		

PREVOST *Le Mirage XL*



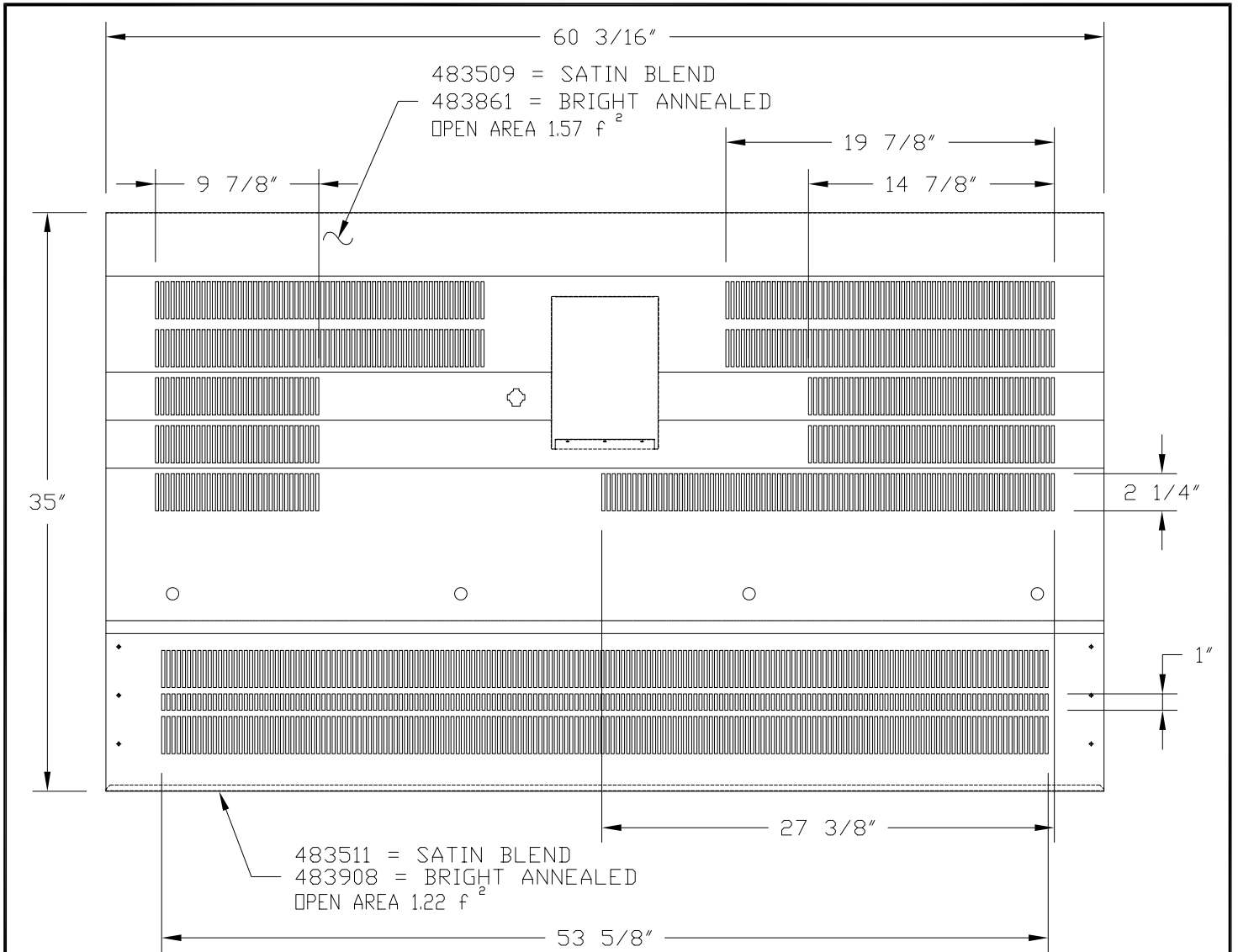
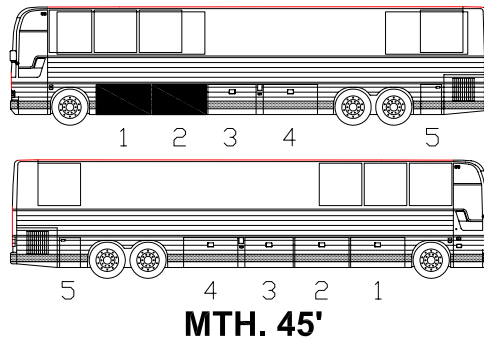
EXTERIOR VIEW

NOTE

**-LARGE LUGGAGE DOOR FOR MTH 45'
UNDER FRONT "SLIDE-OUT"**

TOTAL PERFORATED AREA: 1.22 f ²	EFF : 2-7761		DOOR ASSY ONLY IN SERVICE PART	N.A.
	PRIOR:			
DATE: 04-07	WITH INSULATION	X	REFERENCE ONLY	4760D
REV. : A	WITHOUT INSULATION			

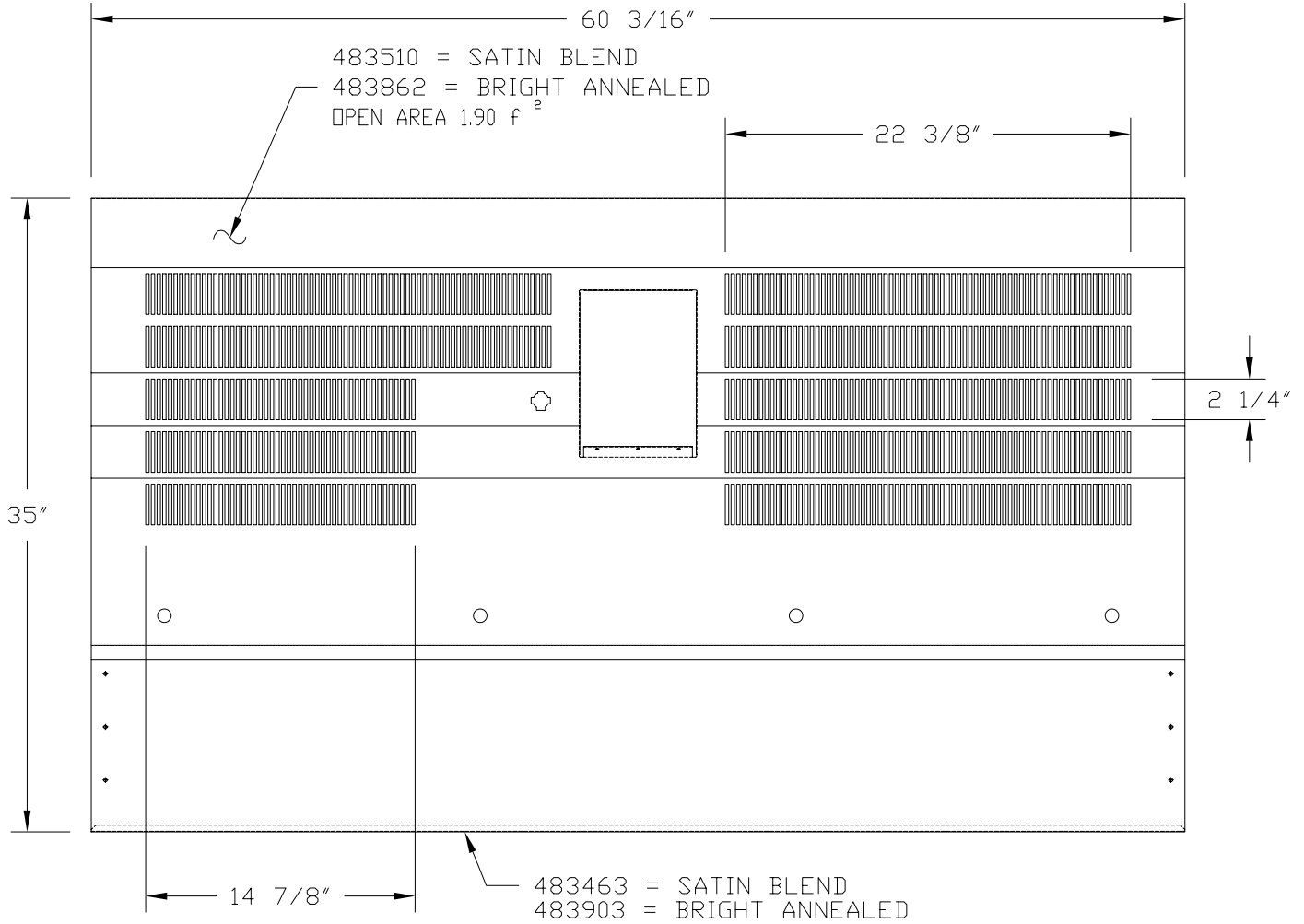
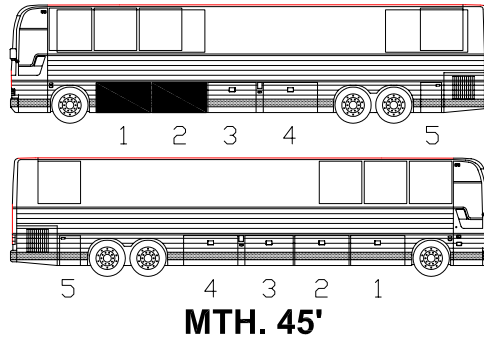
PREVOST *Le Mirage XL*



NOTE
-LARGE LUGGAGE DOOR FOR MTH 45'
UNDER FRONT "SLIDE-OUT"

TOTAL PERFORATED AREA: 2.79 f ²	EFF : 2-7761		DOOR ASSY ONLY IN SERVICE PART	N.A.
	PRIOR:			
DATE: 04-07	WITH INSULATION		REFERENCE ONLY	4760E
REV. : A	WITHOUT INSULATION	X		

PREVOST *Le Mirage XL*



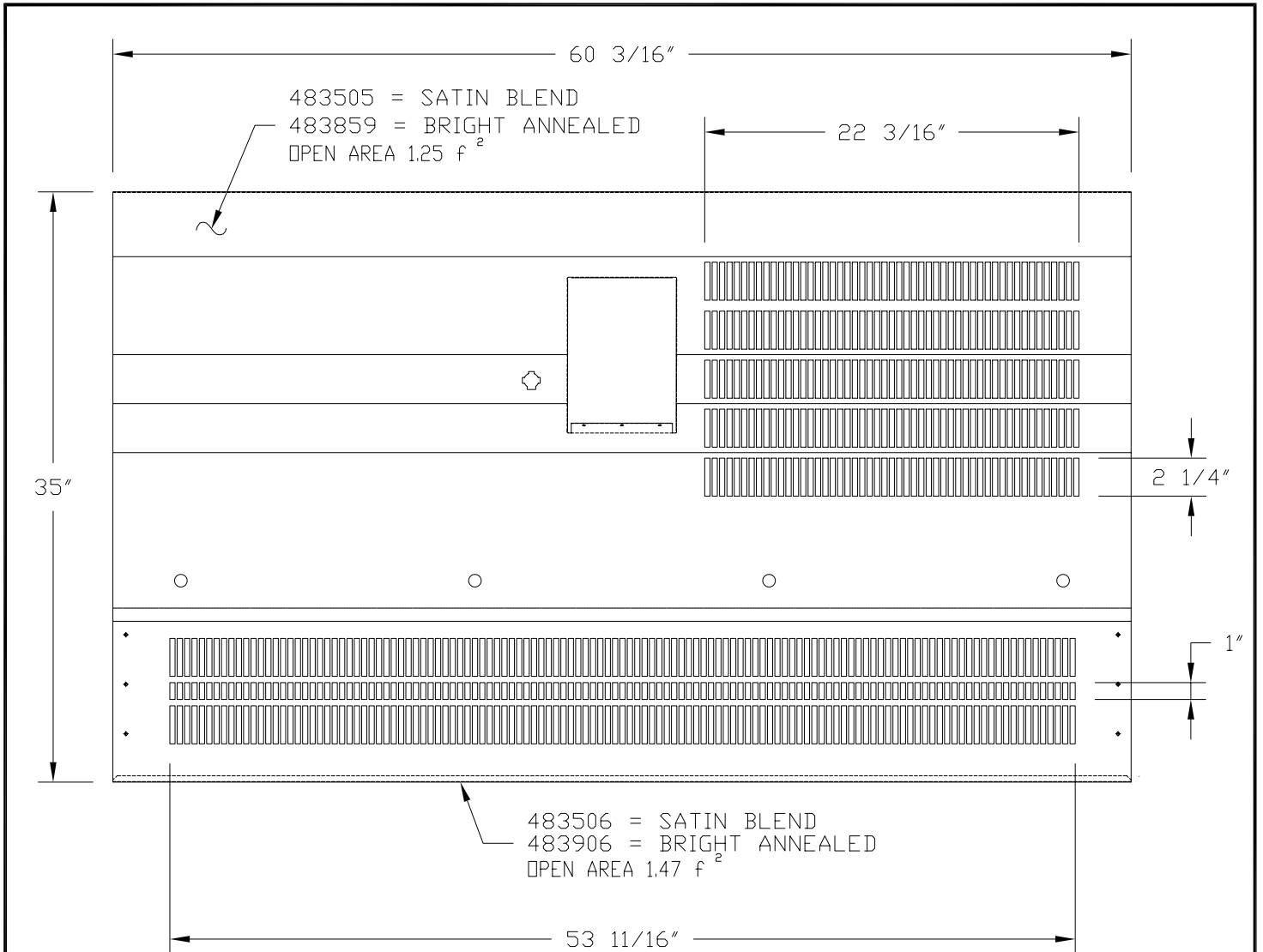
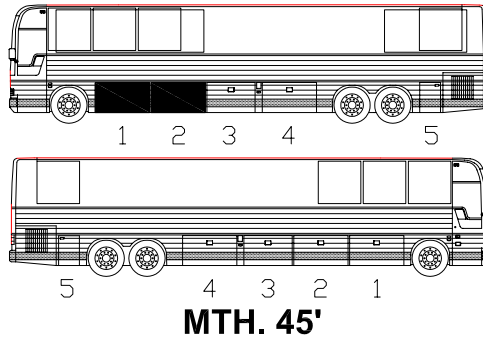
EXTERIOR VIEW

NOTE

**-LARGE LUGGAGE DOOR FOR MTH 45'
UNDER FRONT "SLIDE-OUT"**

TOTAL PERFORATED AREA: 1.90 f ²	EFF : 2-7761		DOOR ASSY ONLY IN SERVICE PART	N.A.
	PRIOR:			
DATE: 04-07	WITH INSULATION		REFERENCE ONLY	4760F
REV. : A	WITHOUT INSULATION	X		

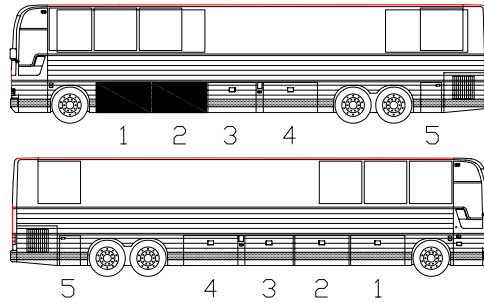
PREVOST® Le Mirage XL



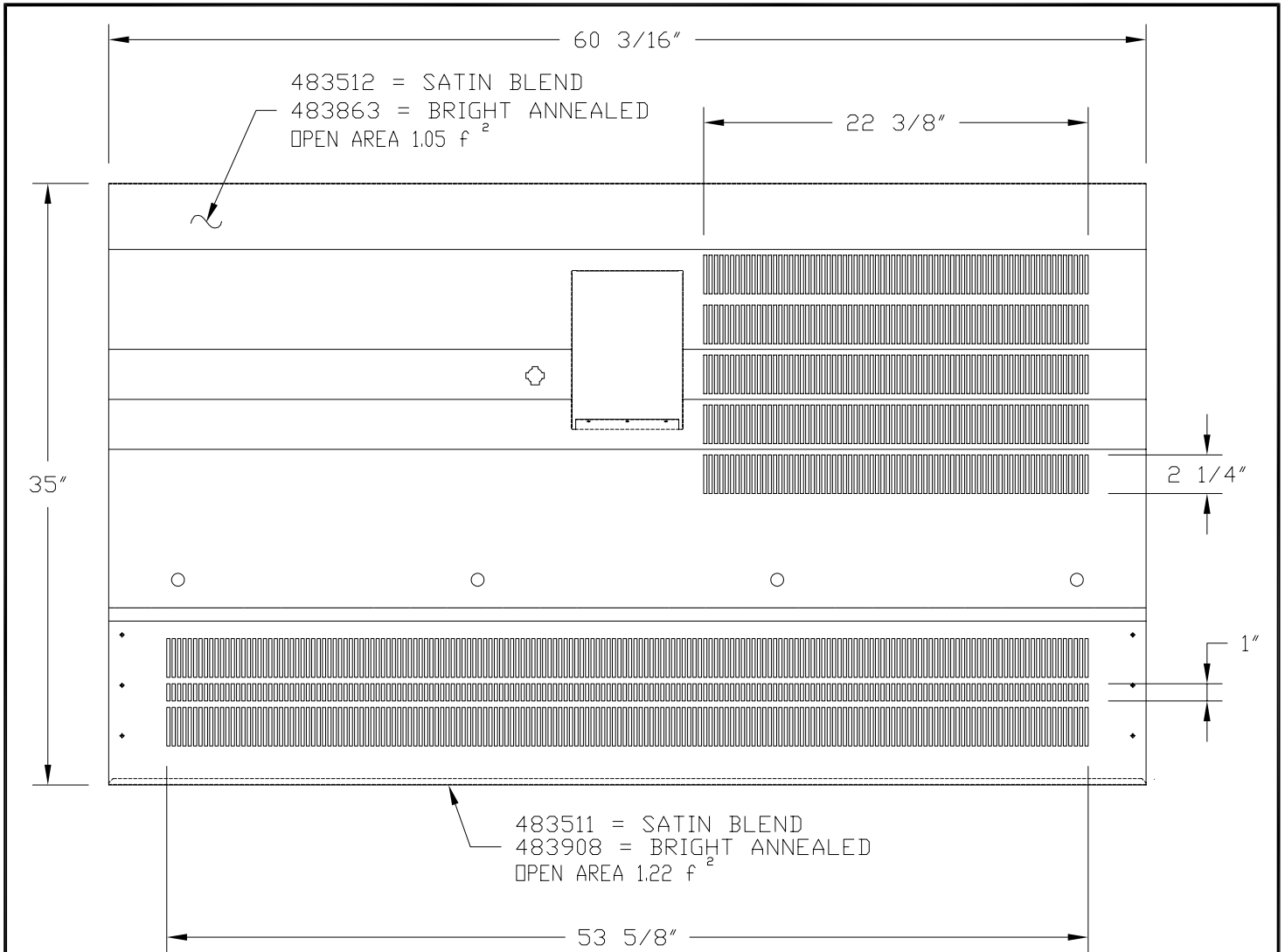
NOTE
-LARGE LUGGAGE DOOR FOR MTH 45'
UNDER FRONT "SLIDE-OUT"

TOTAL PERFORATED AREA: 2.72 f ²	EFF : 2-7761		DOOR ASSY ONLY IN SERVICE PART	N.A.
	PRIOR:			
DATE: 04-07	WITH INSULATION		REFERENCE ONLY	4760G
REV. : A	WITHOUT INSULATION	X		

PREVOST *Le Mirage XL*



MTH. 45'



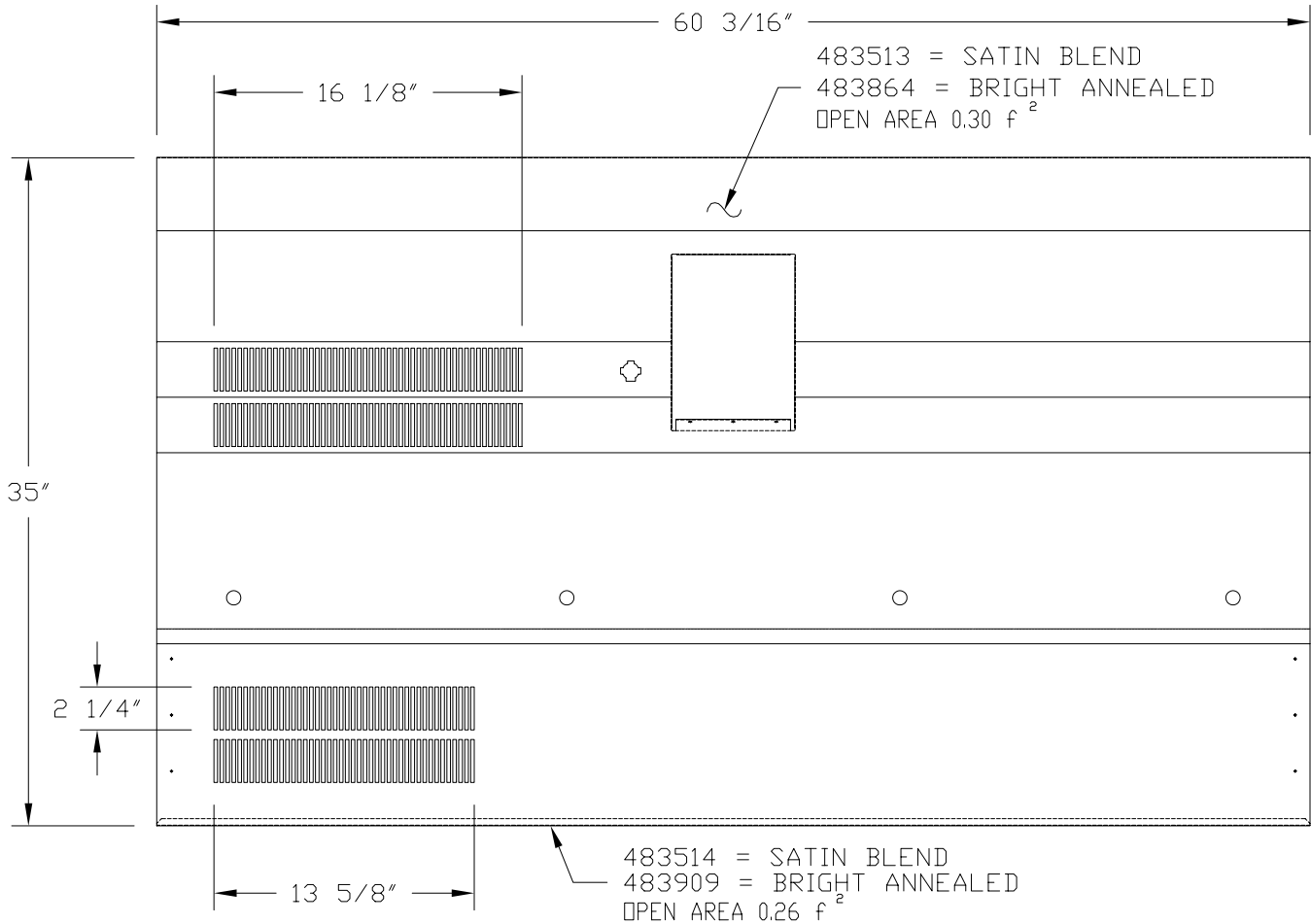
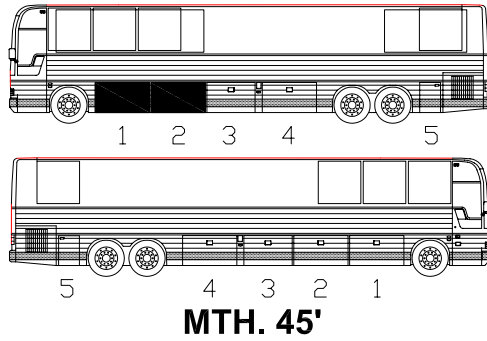
EXTERIOR VIEW

NOTE

**-LARGE LUGGAGE DOOR FOR MTH 45'
UNDER FRONT "SLIDE-OUT"**

TOTAL PERFORATED AREA: 2.27 f ²	EFF : 2-7761		DOOR ASSY ONLY IN SERVICE PART	N.A.
	PRIOR:			
DATE: 04-07	WITH INSULATION		REFERENCE ONLY	4760H
REV. : A	WITHOUT INSULATION	X		

PREVOST *Le Mirage XL*

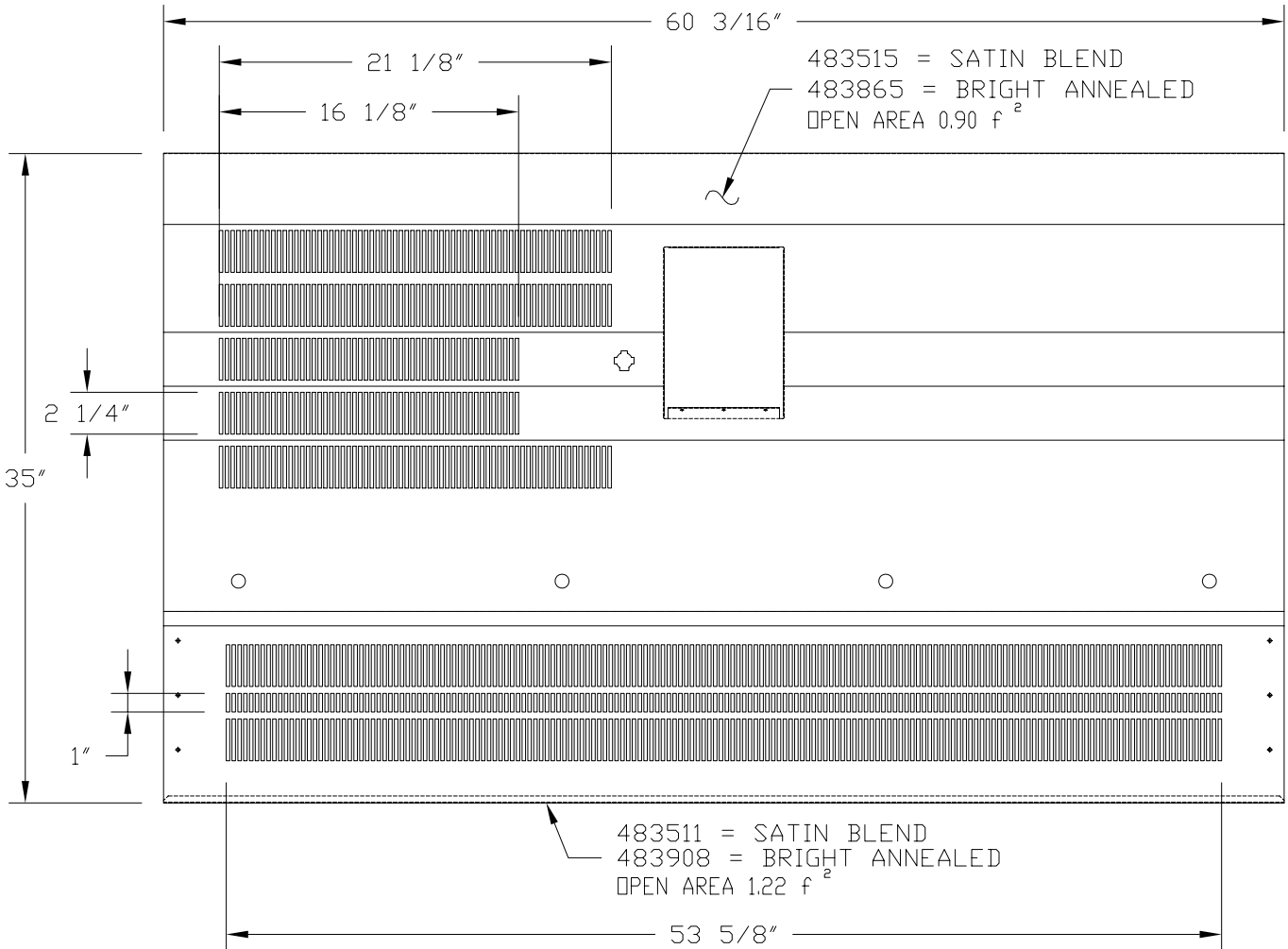
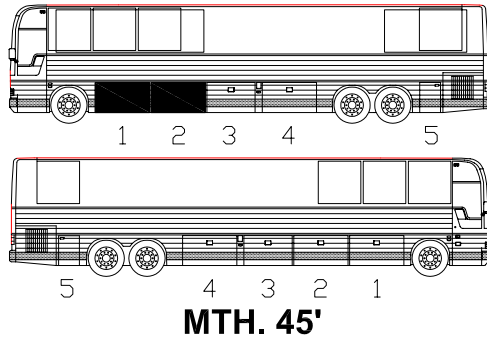


EXTERIOR VIEW

NOTE
-LARGE LUGGAGE DOOR FOR MTH 45'
UNDER FRONT "SLIDE-OUT"

TOTAL PERFORATED AREA: 0.56 f ²	EFF : 2-7761		DOOR ASSY ONLY IN SERVICE PART	N.A.
	PRIOR:			
DATE: 04-07	WITH INSULATION		REFERENCE ONLY	4760J
REV. : A	WITHOUT INSULATION	X		

PREVOST Le Mirage XL



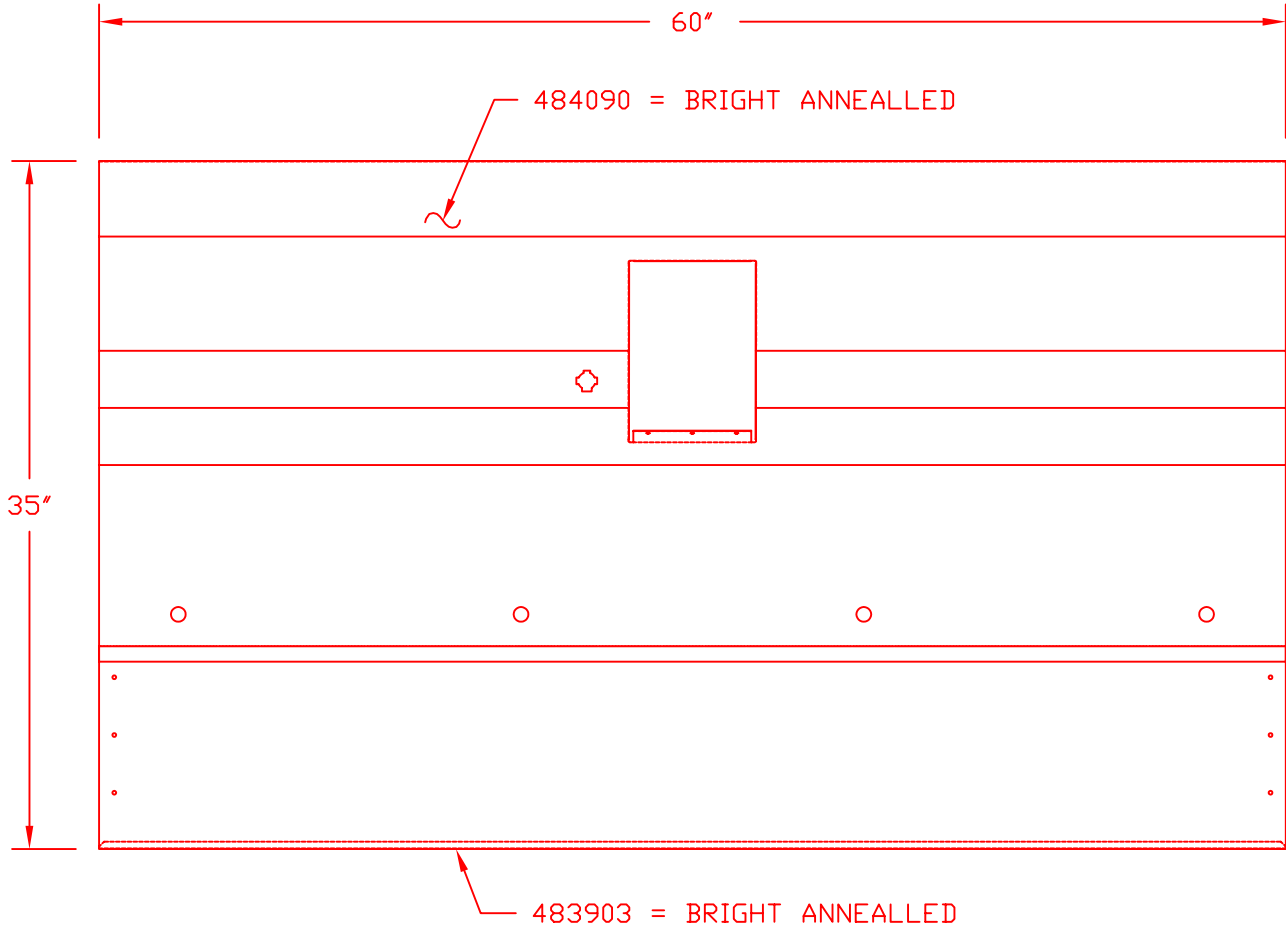
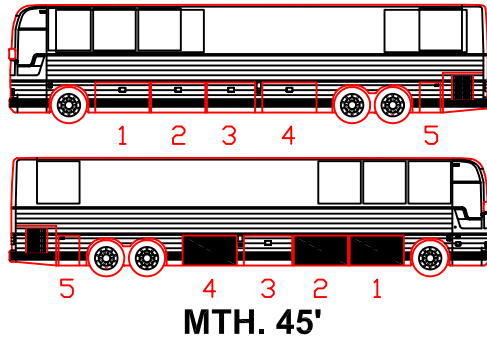
EXTERIOR VIEW

NOTE

**-LARGE LUGGAGE DOOR FOR MTH 45'
UNDER FRONT "SLIDE-OUT"**

TOTAL PERFORATED AREA: 2.12 f ²	EFF : 2-7761		DOOR ASSY ONLY IN SERVICE PART	N.A.
	PRIOR:			
DATE: 04-07	WITH INSULATION		REFERENCE ONLY	4760K
REV. : A	WITHOUT INSULATION	X		

PREVOST. *Le Mirage* XL

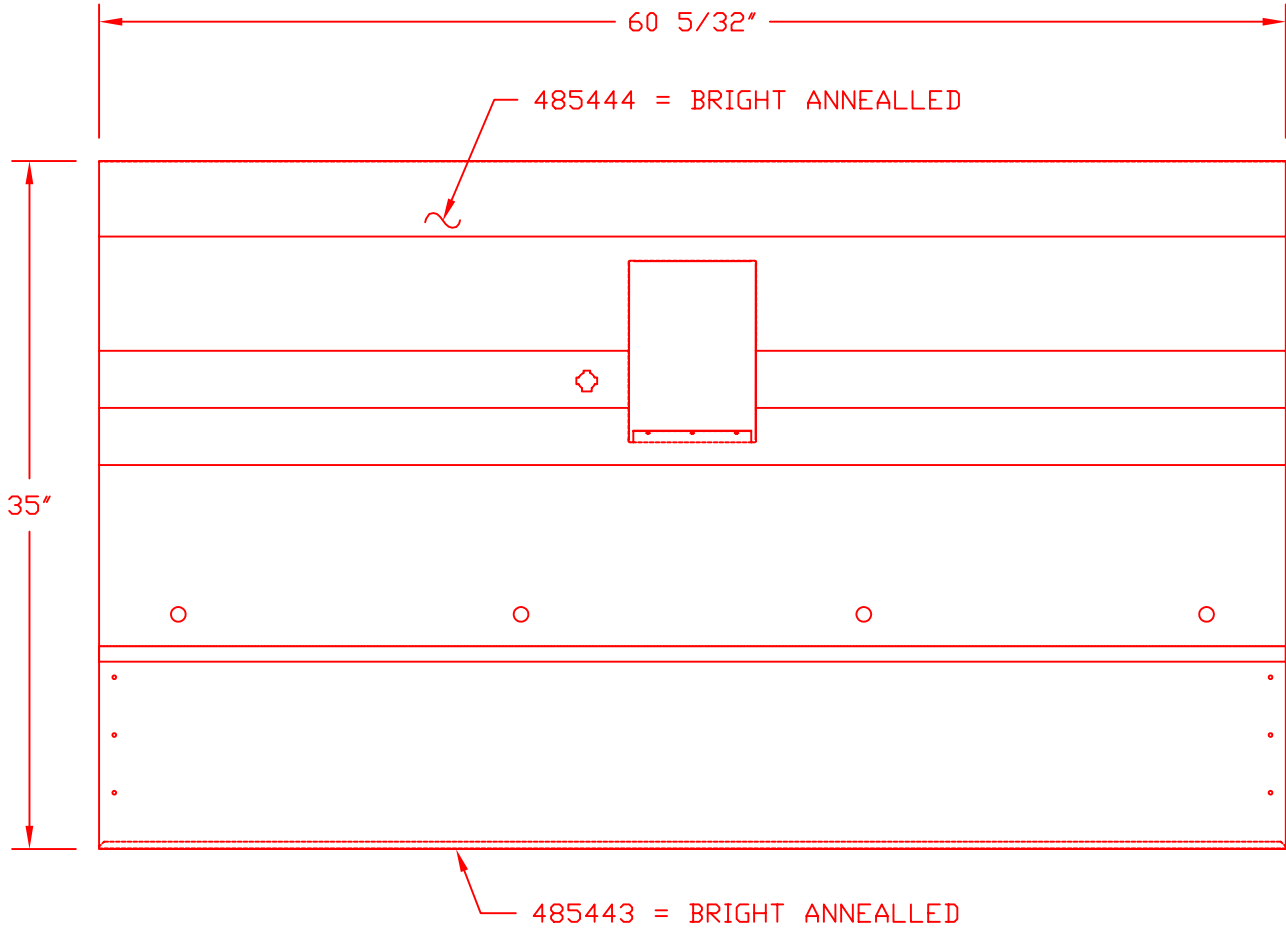
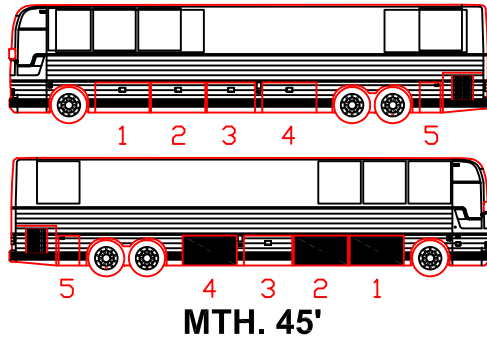


EXTERIOR VIEW

NOTE
-LARGE LUGGAGE DOOR FOR MTH 45'
UNDER FRONT "SLIDE-OUT"

TOTAL PERFORATED AREA: 0.00 f ²	EFF : 2-7761		DOOR ASSY ONLY IN SERVICE PART	N.A.
	PRIOR:			
DATE: 07-04	WITH INSULATION		USE WITH OPTION LIST	4760K1
REV. :	WITHOUT INSULATION	X		

PREVOST. *Le Mirage* XL

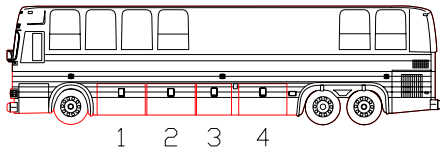


EXTERIOR VIEW

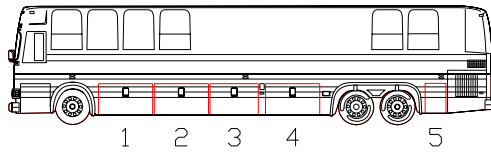
NOTE
-LARGE LUGGAGE DOOR FOR MTH 45'
UNDER FRONT "SLIDE-OUT"

TOTAL PERFORATED AREA: 0.00 f ²	EFF : 2-7761		DOOR ASSY ONLY IN SERVICE PART	N.A.
	PRIOR:			
DATE: 07-04	WITH INSULATION		USE WITH OPTION LIST	4760K2
REV. :	WITHOUT INSULATION	X		

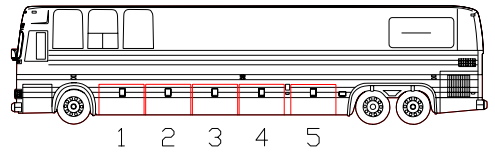
PREVOST[®] XL SERIES



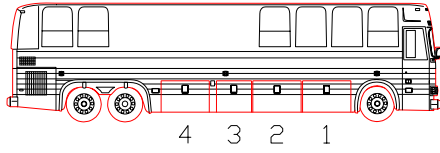
1 2 3 4



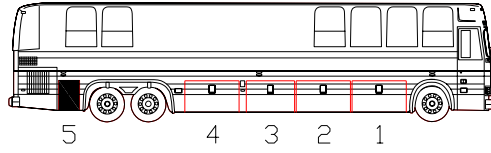
1 2 3 4 5



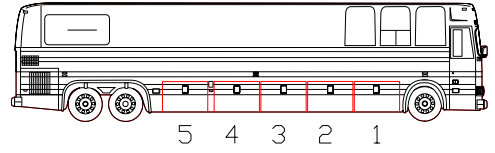
1 2 3 4 5



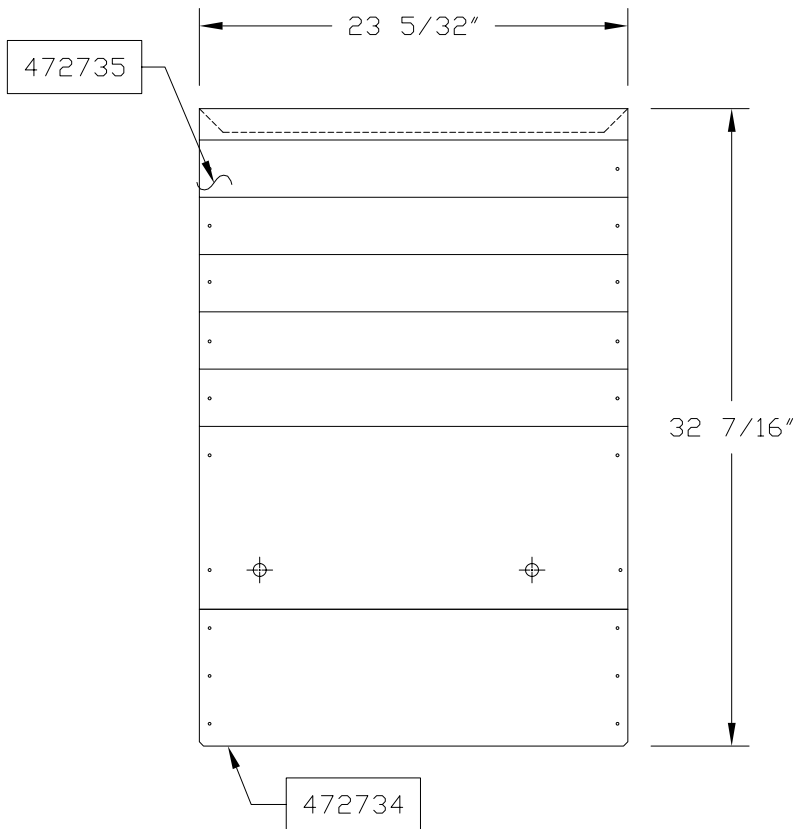
MTH. 40'



MTH. 45'



45' ENT.



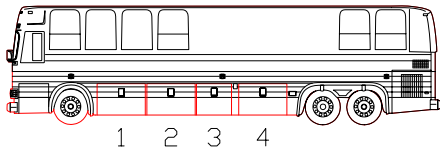
EXTERIOR VIEW

R.H.

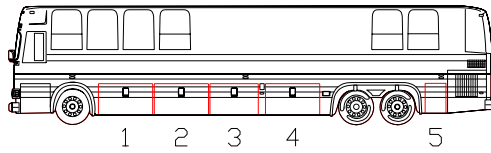
REAR SIDE SERVICE DOOR

TOTAL PERFORATED AREA: 0000 f ²	EFF : P-646	DOOR ASSY ONLY IN SERVICE PART	284538P
	PRIOR: Y-7045		
DATE: 99-12	WITH INSULATION	OPTION LIST	284942
REV. : A	WITHOUT INSULATION		

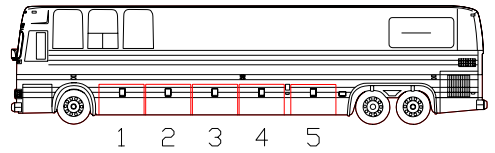
PREVOST XL SERIES



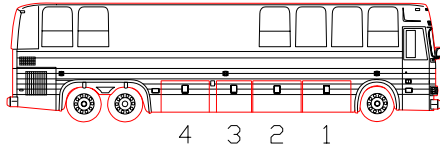
1 2 3 4



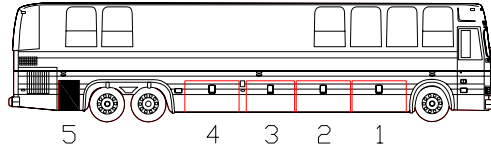
1 2 3 4 5



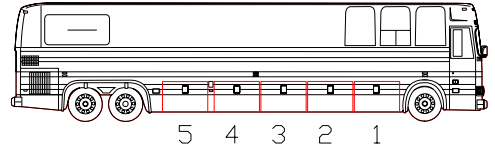
1 2 3 4 5



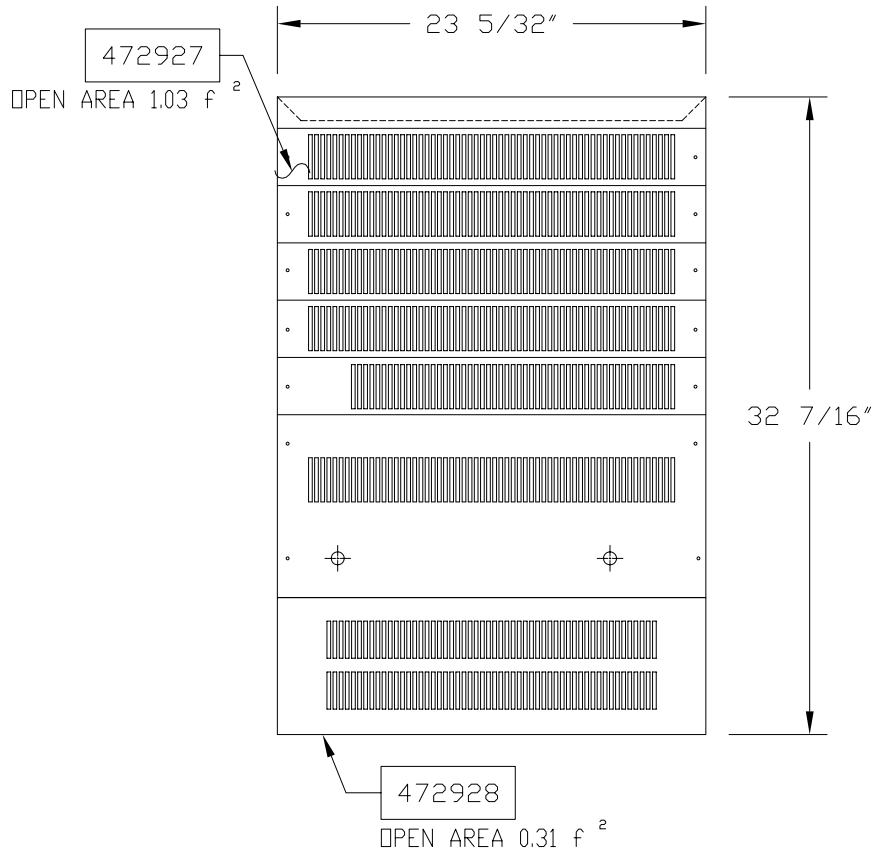
MTH. 40'



MTH. 45'



45' ENT.



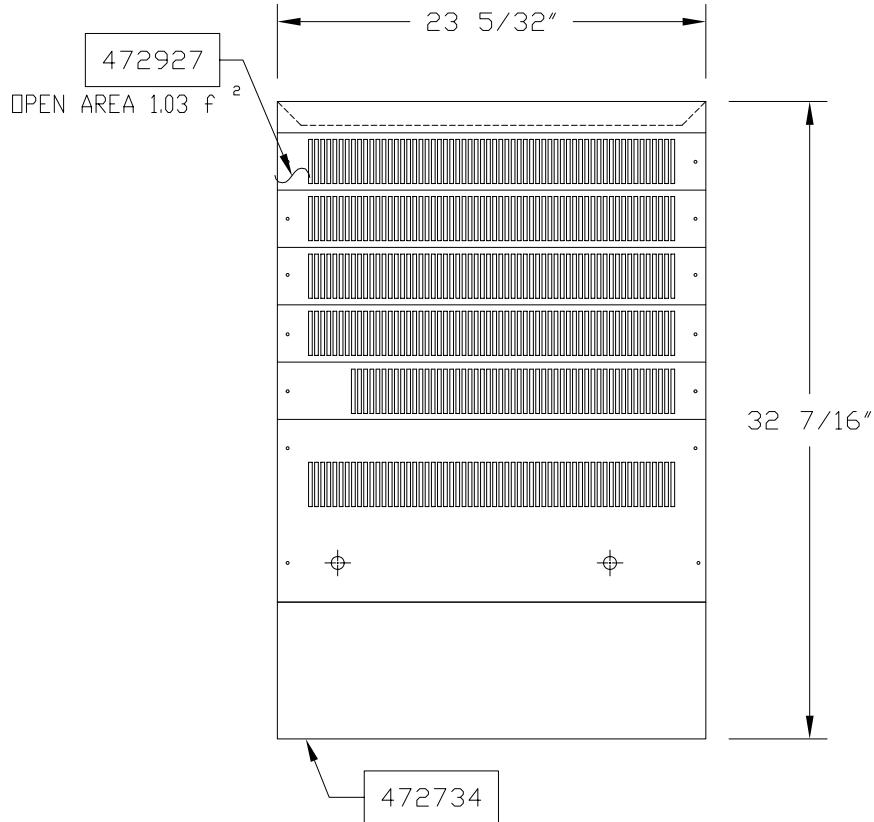
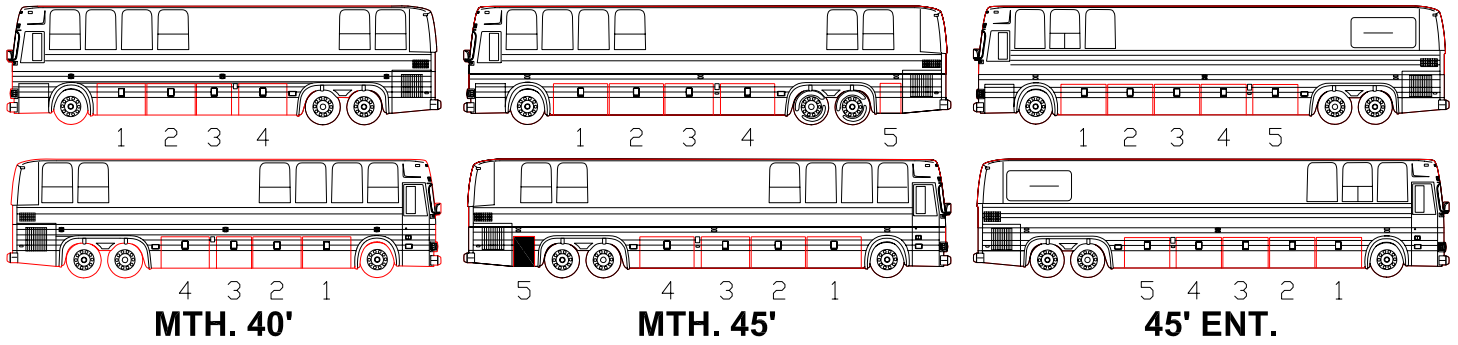
EXTERIOR VIEW

R.H.

REAR SIDE SERVICE DOOR

TOTAL PERFORATED AREA: 1.34 f ²	EFF : P-646	DOOR ASSY ONLY IN SERVICE PART	N.A.
	PRIOR: Y-7045		
DATE: 99-12	WITH INSULATION	OPTION LIST	284943
REV. : A	WITHOUT INSULATION		

PREVOST XL SERIES



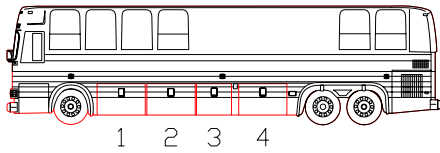
EXTERIOR VIEW

R.H.

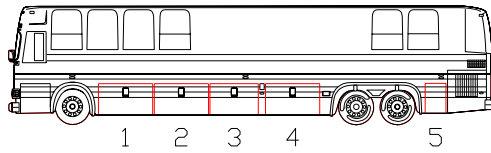
REAR SIDE SERVICE DOOR

TOTAL PERFORATED AREA: 1.03 f ²	EFF : P-646	DOOR ASSY ONLY IN SERVICE PART	N.A.
	PRIOR: Y-7045		
DATE: 99-12	WITH INSULATION	OPTION LIST	285222
REV. : A	WITHOUT INSULATION		

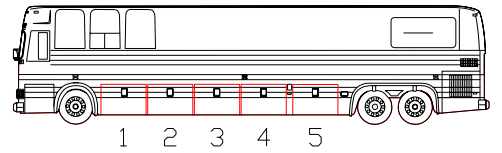
PREVOST XL SERIES



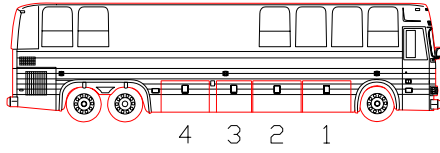
1 2 3 4



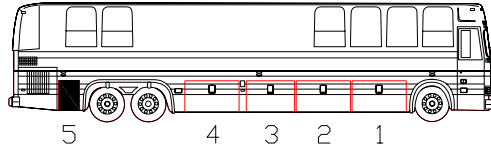
1 2 3 4 5



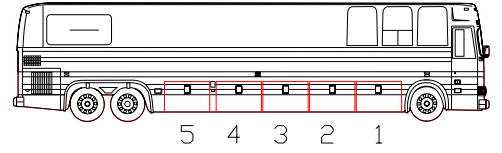
1 2 3 4 5



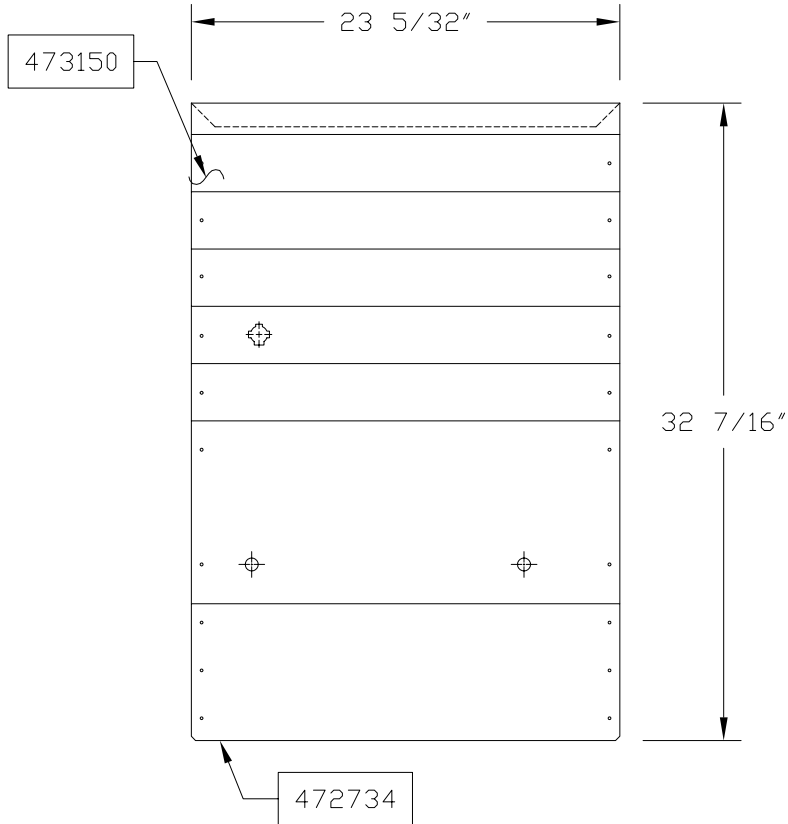
MTH. 40'



MTH. 45'



45' ENT.

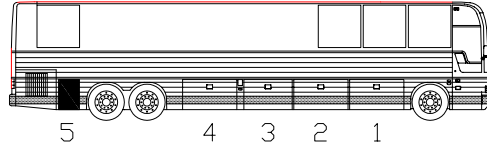


EXTERIOR VIEW

R.H.

REAR SIDE SERVICE DOOR

TOTAL PERFORATED AREA: 0000 f ²	EFF : P-646	DOOR ASSY ONLY IN SERVICE PART	285231P
	PRIOR: Y-7045		
DATE: 99-12	WITH INSULATION	OPTION LIST	285231
REV. : A	WITHOUT INSULATION		



MTH. 45'

REAR SERVICE DOOR - RH

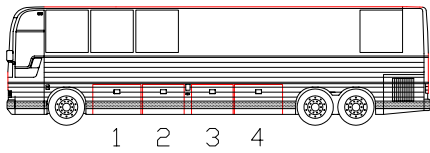
OPTION LIST	UPPER PANEL	LOWER PANEL	PERFORATED AREA F ²	INSULATION	SATIN BLEND SS	BRIGHT SS
286182	473884	473885	NO		X	
286182	477656	477655	NO			X
286183	473887	473888	1.13		X	
286183	477657	NO	0.84			X
286184	473887	473885	0.84		X	
286184	477657	477655	0.84			X

DOTTED AREAS ARE NOT IN PRODUCTION AT TIME OF PRINTING.

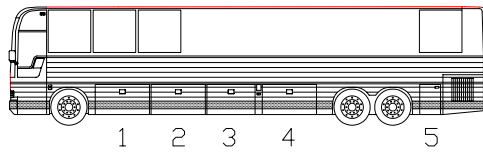
DATE: 04-07

REV.: B

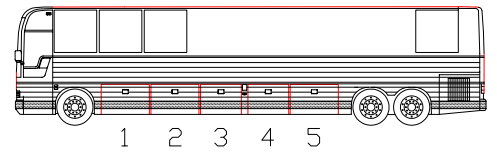
PREVOST *Le Mirage XL*



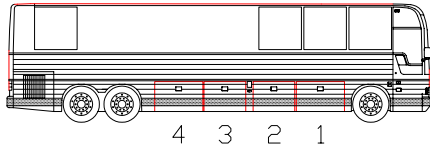
1 2 3 4



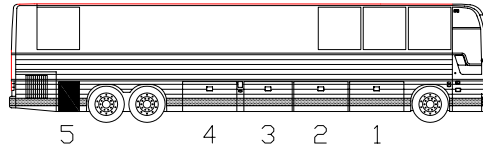
1 2 3 4 5



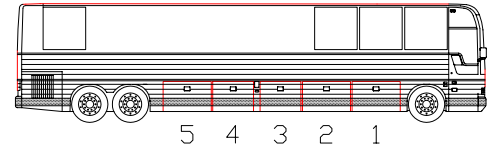
1 2 3 4 5



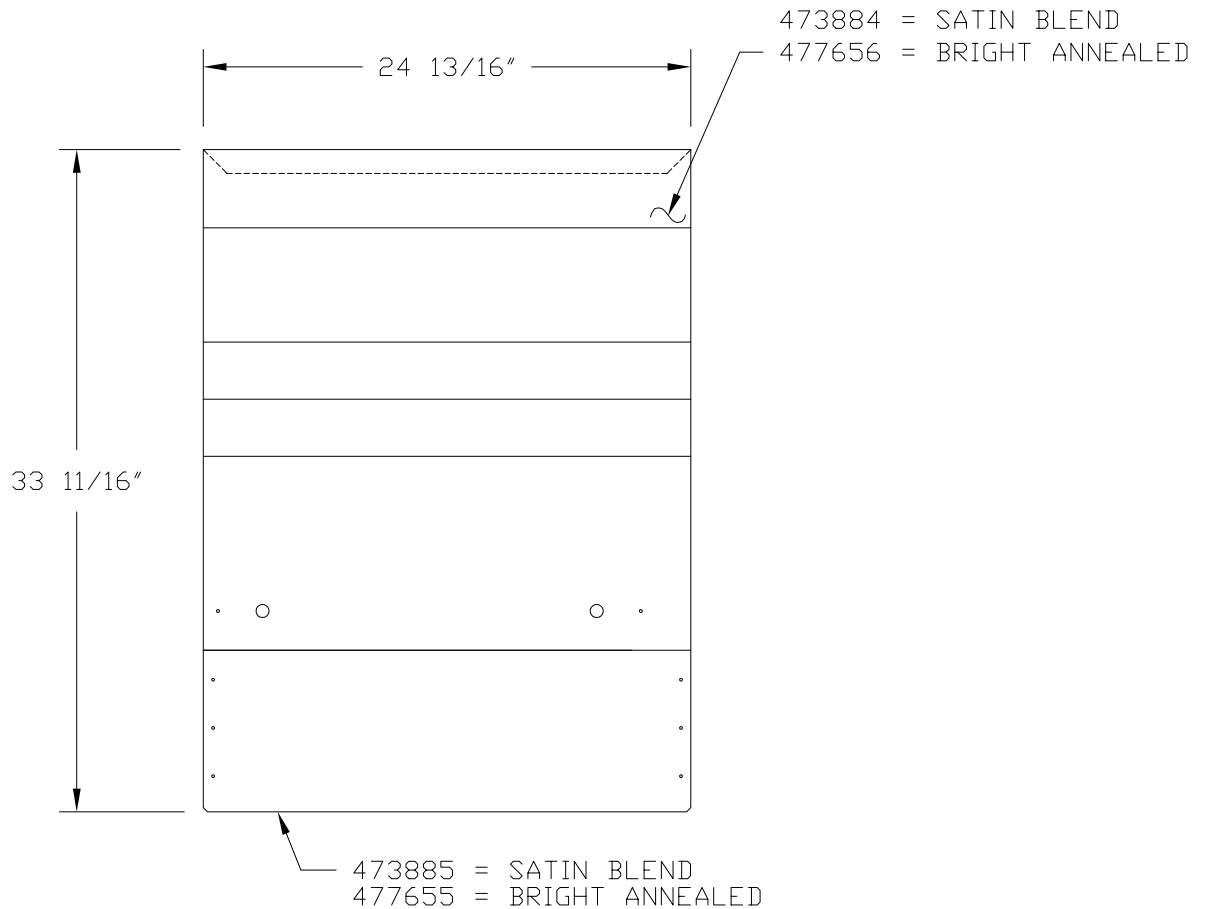
4 3 2 1
MTH. 40'



5 4 3 2 1
MTH. 45'



5 4 3 2 1
45' ENT.



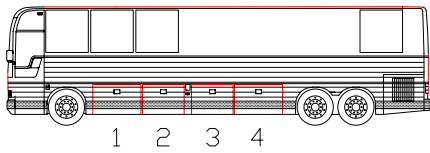
EXTERIOR VIEW

R.H.

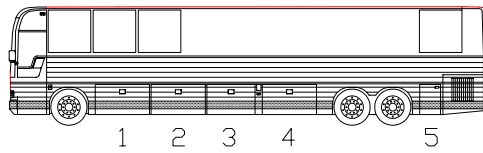
REAR SIDE SERVICE DOORS

TOTAL PERFORATED AREA: 0.00 f ²	EFF : Y-7046	DOOR ASSY ONLY IN SERVICE PART	N.A.
	PRIOR:		
DATE: 04-07	WITH INSULATION	OPTION LIST	286182
REV. : B	WITHOUT INSULATION		

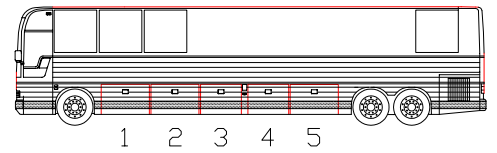
PREVOST *Le Mirage XL*



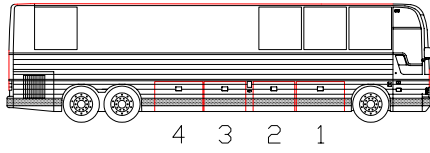
1 2 3 4



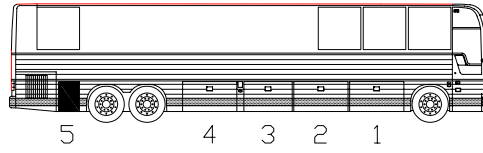
1 2 3 4 5



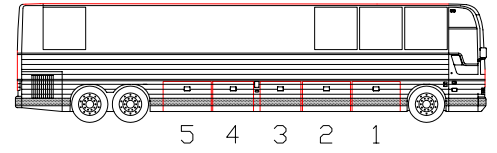
1 2 3 4 5



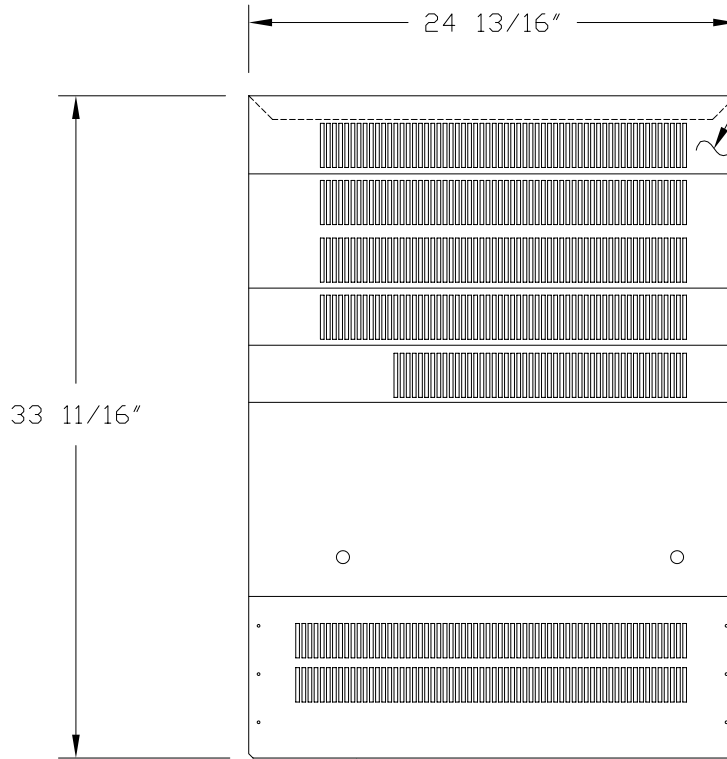
MTH. 40'



MTH. 45'



45' ENT.



473887 = SATIN BLEND
477657 = BRIGHT ANNEALED
OPEN AREA 0.84 f²

473888 = SATIN BLEND
N/A = BRIGHT ANNEALED
OPEN AREA 0.29 f²

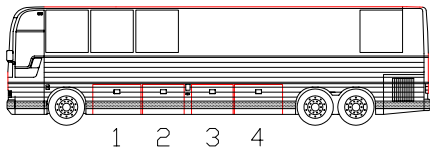
EXTERIOR VIEW

R.H.

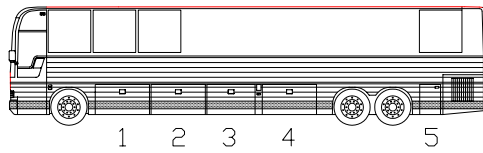
REAR SIDE SERVICE DOOR

TOTAL PERFORATED AREA: 1.13 f ² SATIN AREA: 0.84 f ² BRIGH.	EFF : Y-7046	DOOR ASSY ONLY IN SERVICE PART	N.A.
	PRIOR:		
DATE: 04-07	WITH INSULATION	OPTION LIST	286183
REV. : B	WITHOUT INSULATION		

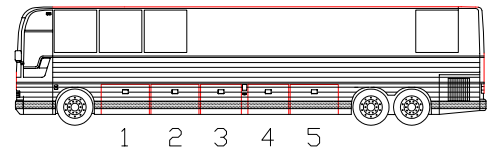
PREVOST *Le Mirage XL*



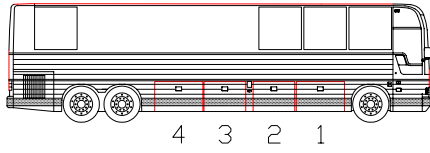
1 2 3 4



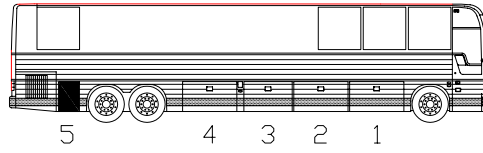
1 2 3 4 5



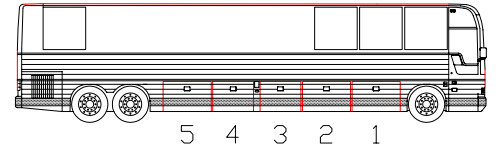
1 2 3 4 5



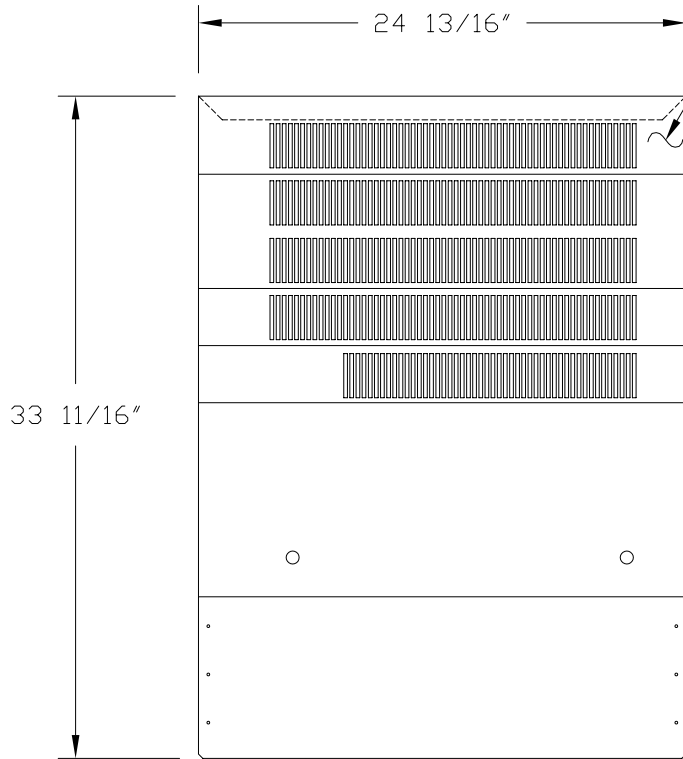
4 3 2 1
MTH. 40'



5 4 3 2 1
MTH. 45'



5 4 3 2 1
45' ENT.



473887 = SATIN BLEND
477657 = BRIGHT ANNEALED
OPEN AREA 0.84 f²

473885 = SATIN BLEND
477655 = BRIGHT ANNEALED

EXTERIOR VIEW

R.H.

REAR SIDE SERVICE DOOR

TOTAL PERFORATED
AREA: 0.84 f²

EFF : Y-7046

PRIOR:

**DOOR ASSY ONLY
IN SERVICE PART**

N.A.

DATE: 04-07

WITH INSULATION

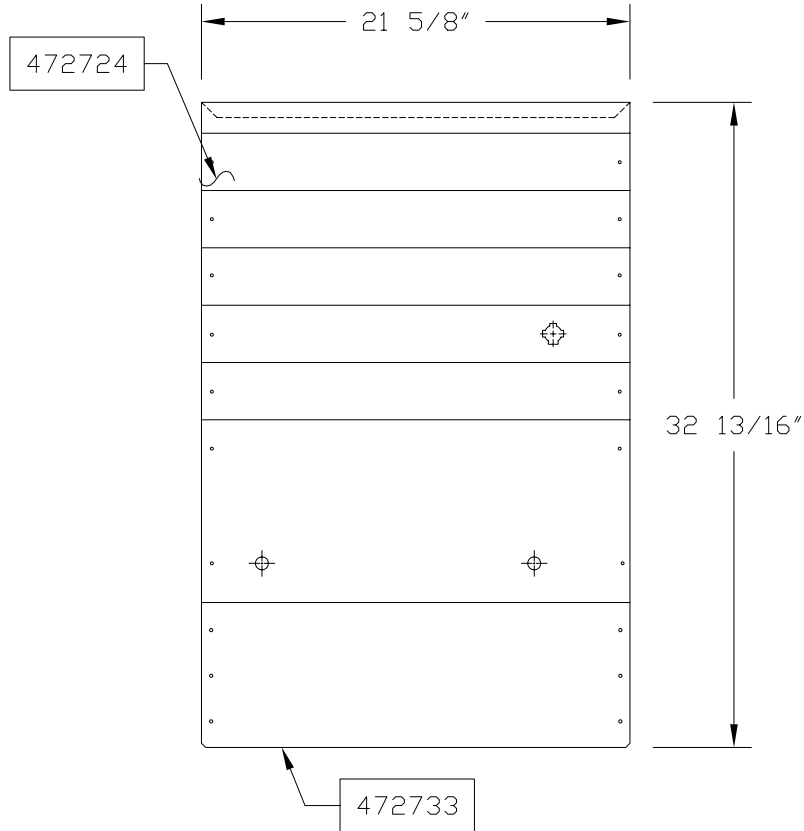
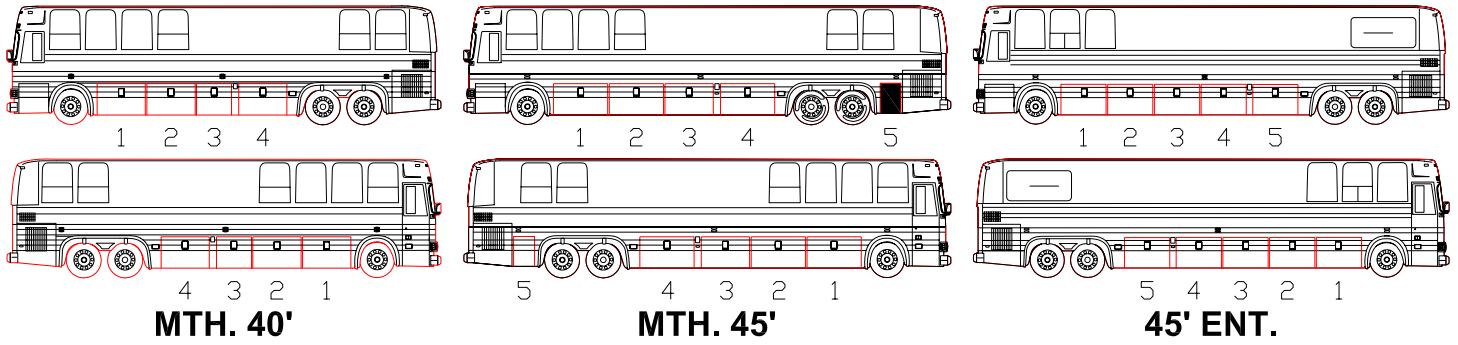
OPTION LIST

REV. : B

WITHOUT INSULATION

286184

PREVOST XL SERIES



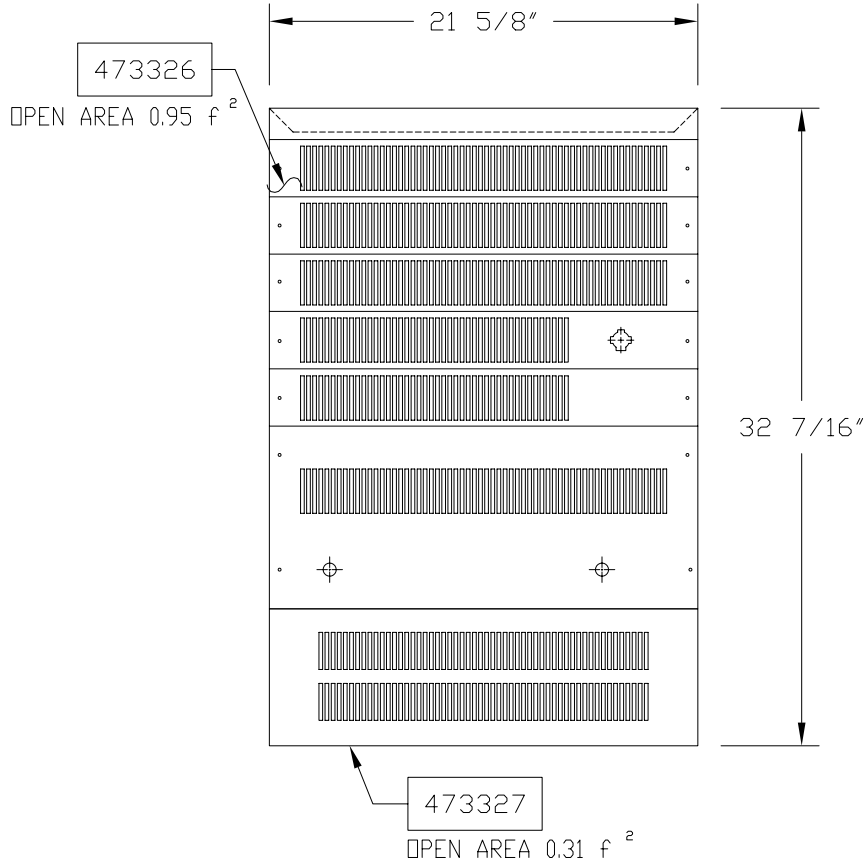
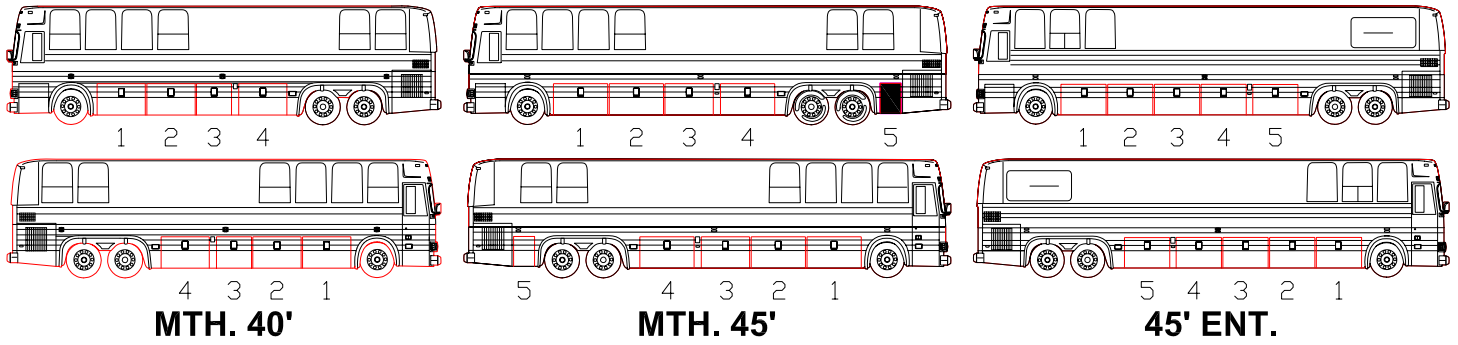
EXTERIOR VIEW

L.H.

REAR SIDE SERVICE DOOR

TOTAL PERFORATED AREA: 0000 f ²	EFF : P-646	DOOR ASSY ONLY IN SERVICE PART	284535P
	PRIOR: Y-7045		
DATE: 99-12	WITH INSULATION	OPTION LIST	285343
REV. : A	WITHOUT INSULATION		

PREVOST XL SERIES



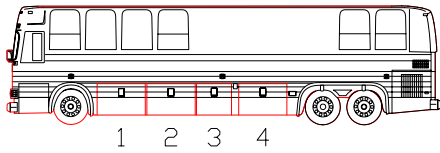
EXTERIOR VIEW

L.H.

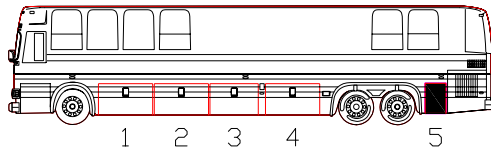
REAR SIDE SERVICE DOOR

TOTAL PERFORATED AREA: 1.26 f ²	EFF : P-646	DOOR ASSY ONLY IN SERVICE PART	N.A.
	PRIOR: Y-7045		
DATE: 99-12	WITH INSULATION	OPTION LIST	285344
REV. : A	WITHOUT INSULATION		

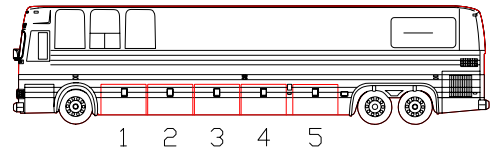
PREVOST XL SERIES



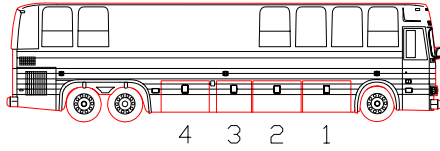
1 2 3 4



1 2 3 4 5

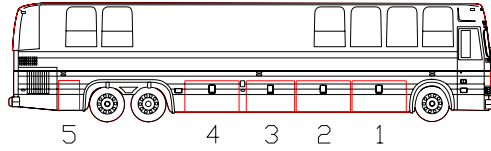


1 2 3 4 5



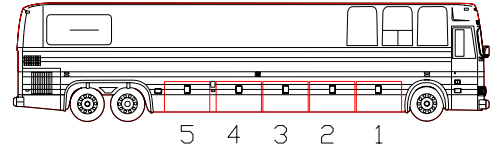
4 3 2 1

MTH. 40'



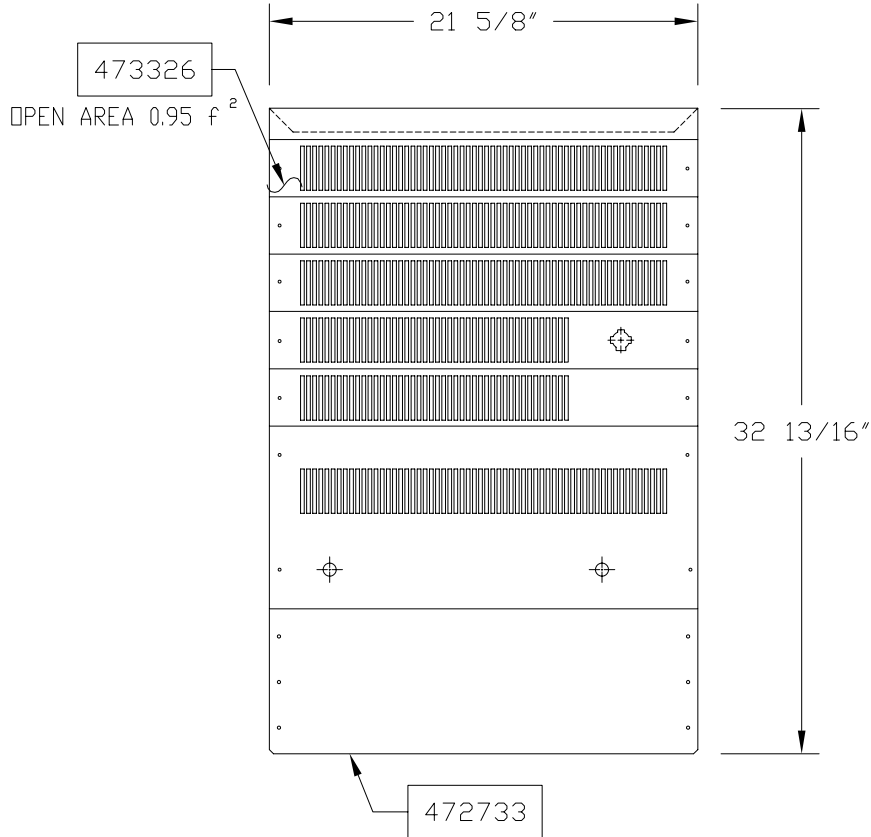
5 4 3 2 1

MTH. 45'



5 4 3 2 1

45' ENT.

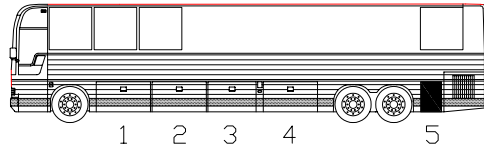


EXTERIOR VIEW

L.H.

REAR SIDE SERVICE DOOR

TOTAL PERFORATED AREA: 0.95 f ²	EFF : P-646	DOOR ASSY ONLY IN SERVICE PART	N.A.
	PRIOR: Y-7045		
DATE: 99-12	WITH INSULATION	OPTION LIST	285345
REV. : A	WITHOUT INSULATION		



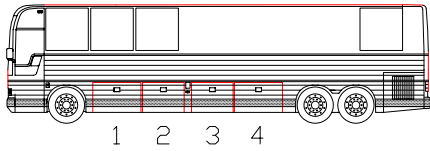
MTH. 45'

REAR SIDE SERVICE DOOR - LH

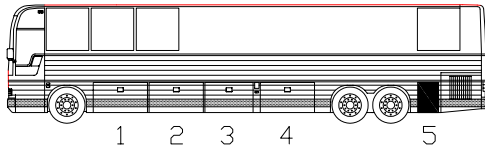
OPTION LIST	UPPER PANEL	LOWER PANEL	PERFORATED AREA F ²		SATIN BLEND SS	BRIGHT SS
286185	473889	473885	NO	W/LOCK	X	
286185	NO	477655	NO	W/LOCK		X
286186	473890	473888	1.08	W/LOCK	X	
286186	477657	477922	1.08	W/LOCK		X
286187	473890	473885	0.79	W/LOCK	X	
286187	477657	477655	0.79	W/LOCK		X

DOTTED AREAS ARE NOT IN PRODUCTION AT TIME OF PRINTING.	DATE: 04-07	REV.: B
--	--------------------	----------------

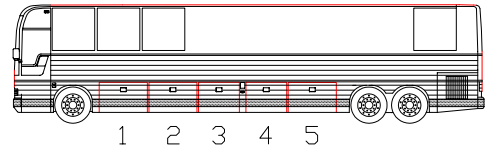
PREVOST *Le Mirage XL*



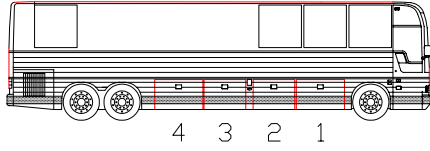
1 2 3 4



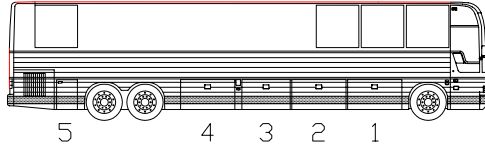
1 2 3 4 5



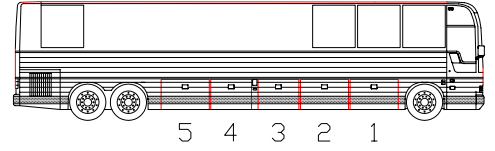
1 2 3 4 5



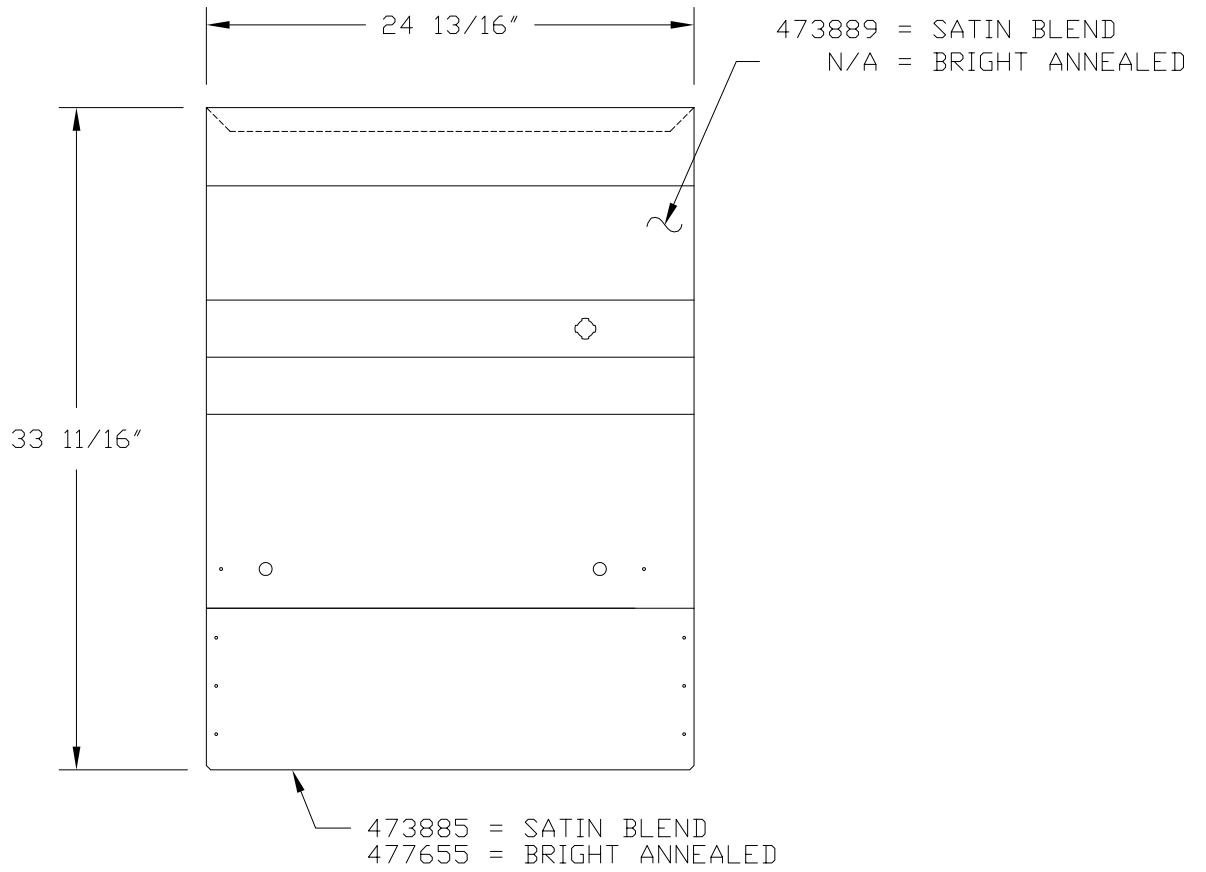
4 3 2 1
MTH. 40'



5 4 3 2 1
MTH. 45'



5 4 3 2 1
45' ENT.



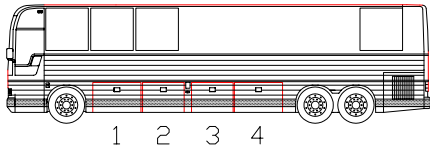
EXTERIOR VIEW

L.H.

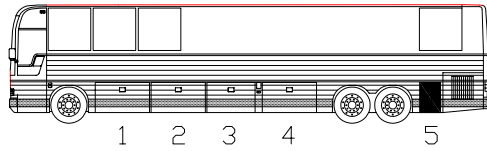
REAR SIDE SERVICE DOOR

TOTAL PERFORATED AREA: 0.00 f ²	EFF : Y-7046	DOOR ASSY ONLY IN SERVICE PART	N.A.
	PRIOR: 3-4757		
DATE: 04-07	WITH INSULATION	OPTION LIST	286185
REV. : B	WITHOUT INSULATION		

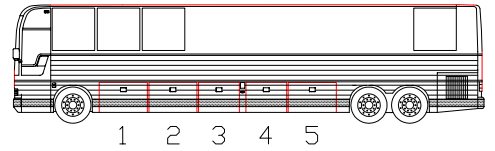
PREVOST *Le Mirage XL*



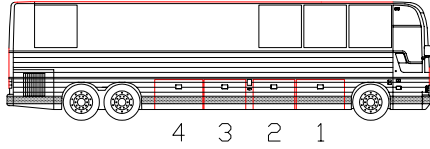
1 2 3 4



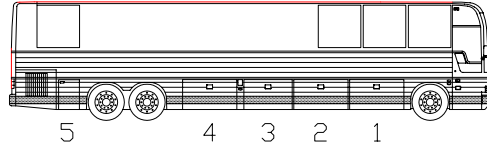
1 2 3 4 5



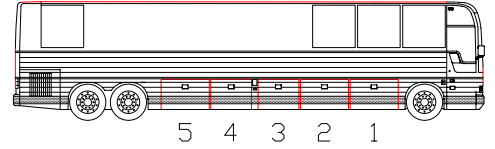
1 2 3 4 5



4 3 2 1
MTH. 40'

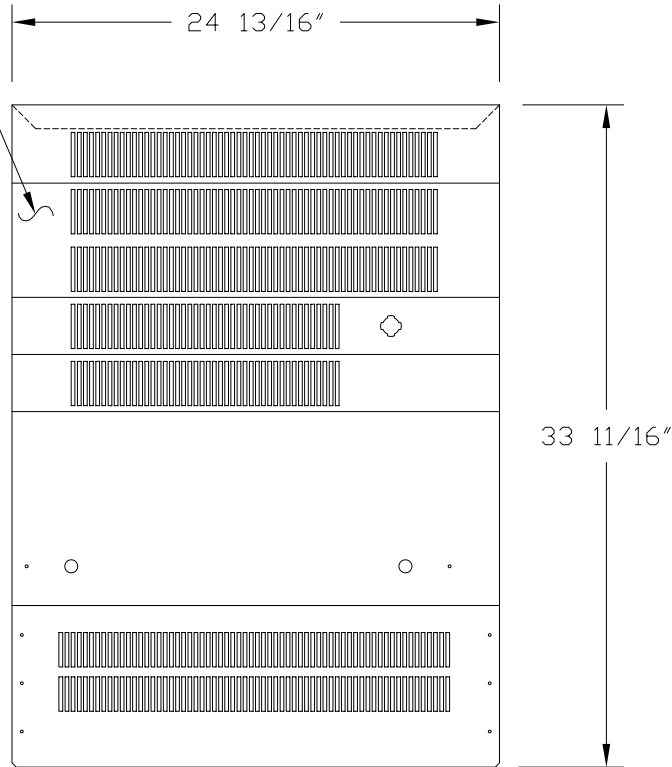


5 4 3 2 1
MTH. 45'



5 4 3 2 1
45' ENT.

473890 = SATIN BLEND
477657 = BRIGHT ANNEALED
OPEN AREA 0.79 f²



473888 = SATIN BLEND
477922 = BRIGHT ANNEALED
OPEN AREA 0.29 f²

EXTERIOR VIEW

L.H.

REAR SIDE SERVICE DOOR

TOTAL PERFORATED
AREA: 1.08 f²

EFF : Y-7046

DOOR ASSY ONLY
IN SERVICE PART

N.A.

PRIOR:

DATE: 04-07

WITH INSULATION

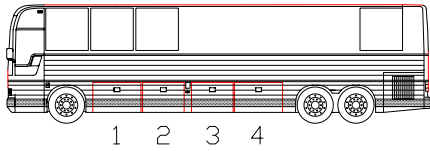
OPTION LIST

286186

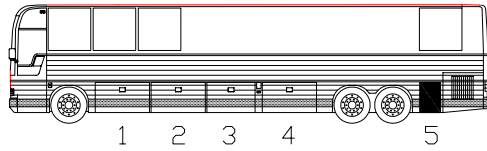
REV. : B

WITHOUT INSULATION

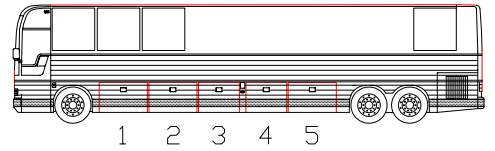
PREVOST Le Mirage XL



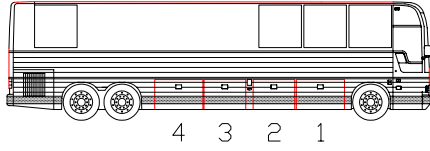
1 2 3 4



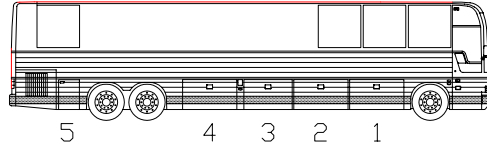
1 2 3 4 5



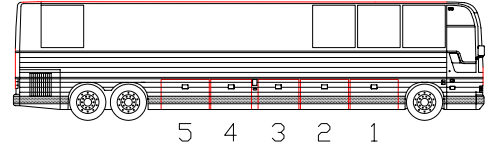
1 2 3 4 5



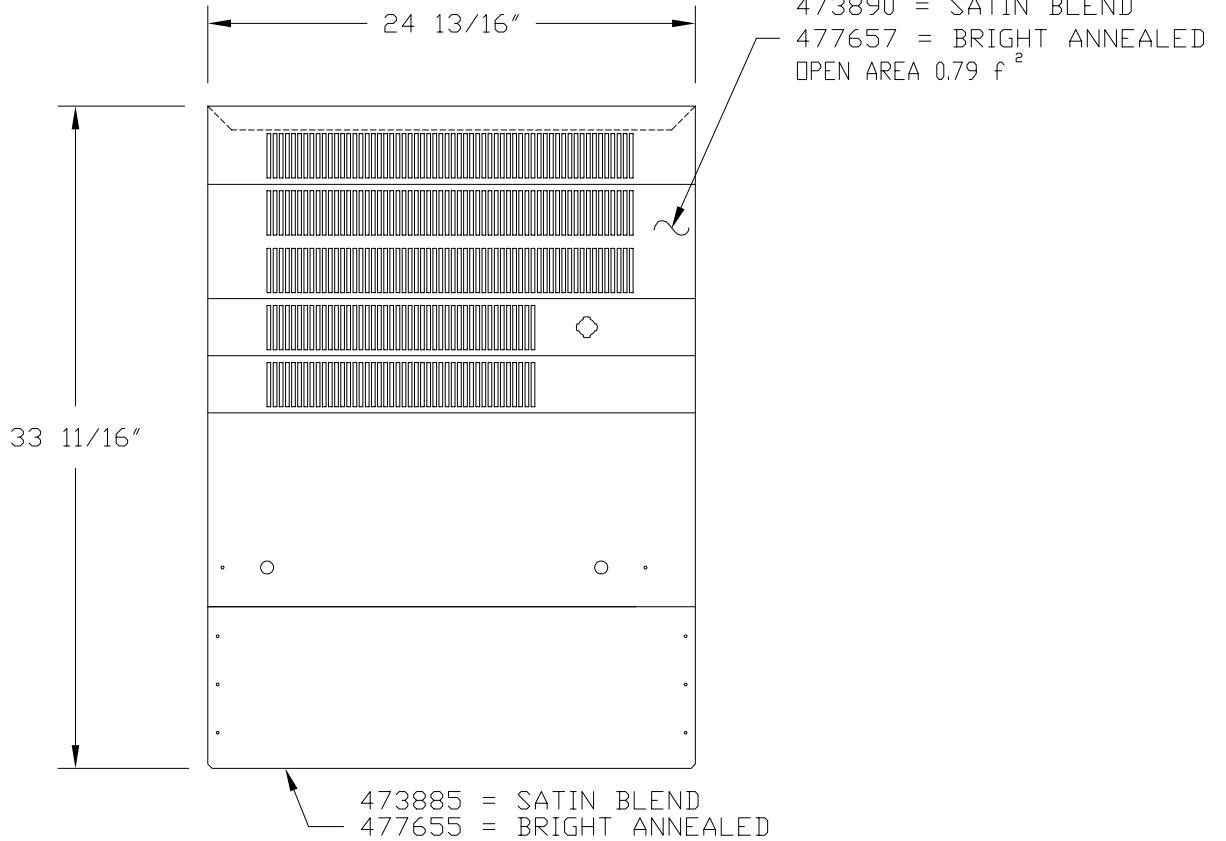
MTH. 40'



MTH. 45'



45' ENT.



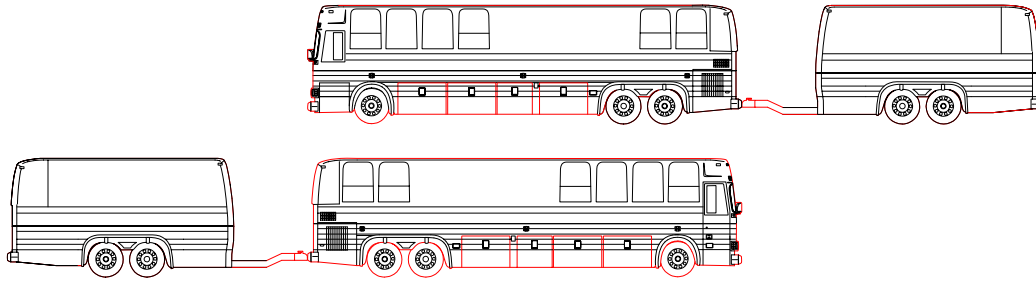
EXTERIOR VIEW

L.H.

REAR SIDE SERVICE DOOR

TOTAL PERFORATED AREA: 0.79 f ²	EFF : Y-7046	DOOR ASSY ONLY IN SERVICE PART	N.A.
	PRIOR: 3-4757		
DATE: 04-07	WITH INSULATION	OPTION LIST	286187
REV. : B	WITHOUT INSULATION		

PREVOST® XL SERIES



TRAILER & MTH.

MISCELLANEOUS PANELS & PROTECTORS

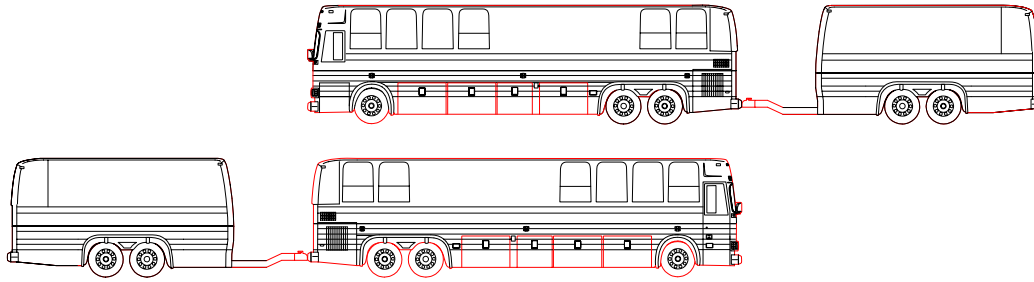
PART NUMBER	WHERE USED	MODEL	YEAR	OTHERS	
470882	UPPER WALL	96" & 102"	1970 TO 1999		
471753	BAGGAGE	96"	1970 TO 1982		
472013	SIDE WALL 83"	"XL"-102"	1984 TO 1999	TRAILER	
472014	BAGGAGE	96" & 102"	1983 TO 1999	TRAILER	
472104	BAGGAGE CURVED	"XL"-102"	1984 TO 1999	TRAILER	
472172	SIDE WALL 86"	"XL"-102"	1984 TO 1999	TRAILER	
473195	SIDE WALL 83"	"XL"-102"	1984 TO 1999	SLIDE OUT	
473196	SIDE WALL	"XL"-102"	1984 TO 1999	SLIDE OUT	
473321	SIDE WALL 86"	"XL"-102"	1984 TO 1999	SLIDE OUT	
473322	SIDE WALL 86"	"XL"-102"	1984 TO 1999	SLIDE OUT	
473581	SIDE WALL 86"	"XL"-102"	1984 TO 1999	SLIDE OUT	
482295	L.H. HINGE BAGGAGE DOOR	"XL"-102"	1984 TO 1997		UPPER PANEL 473146 LOWER PANEL 473147
482301	R.H. HINGE BAGGAGE DOOR	"XL"-102"	1984 TO 1997		UPPER PANEL 471507 LOWER PANEL 471508
482682	R.H. HINGE BAGGAGE DOOR	"XL"-102"	1997 TO 1999		UPPER PANEL 473542 LOWER PANEL 473543
482687	L.H. HINGE BAGGAGE DOOR	"XL"-102"	1997 TO 1999		UPPER PANEL 473544 LOWER PANEL 473545

DOTTED AREAS ARE NOT IN PRODUCTION AT TIME OF PRINTING.

DATE: 03-07

REV.: B

PREVOST[®] XL SERIES



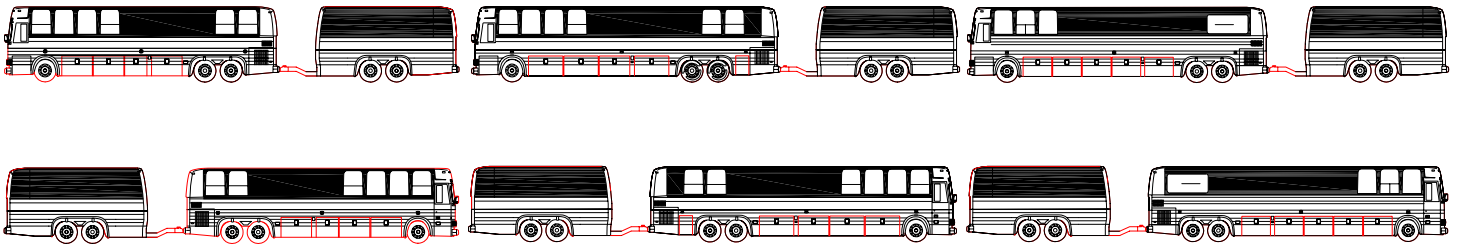
TRAILER & MTH.

MISCELLANEOUS PANELS & PROTECTORS

PART NUMBER	WHERE USED	MODEL	YEAR	OTHERS	
PR-01 482266	PROTECTOR	"XL"-102"	1984 TO 1997	38"	SEE 482112
PR-02 480914	PROTECTOR	"XL"-102"	1984 TO 1999	44 13/16"	SEE 482301
PR-03 482573	PROTECTOR	"XL"-102"	1984 TO 1999	44 15/16"	SEE 482295, 482682 482682
PR-04 482577	PROTECTOR	"XL"-102"	1984 TO 1999	53 5/8"	SEE 482294

DOTTED AREAS ARE NOT IN PRODUCTION AT TIME OF PRINTING.	DATE: 03-07	REV.: B
--	--------------------	----------------

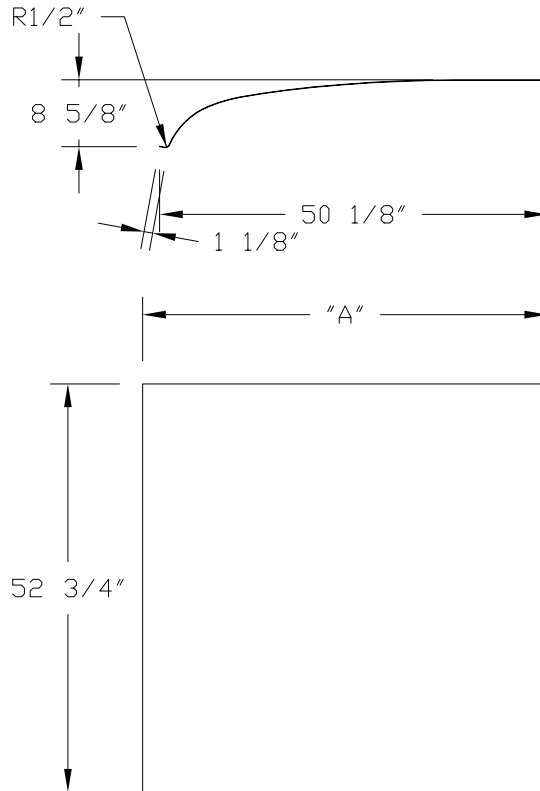
PREVOST XL SERIES



MTH. 40'

MTH. 45'

45' ENT.

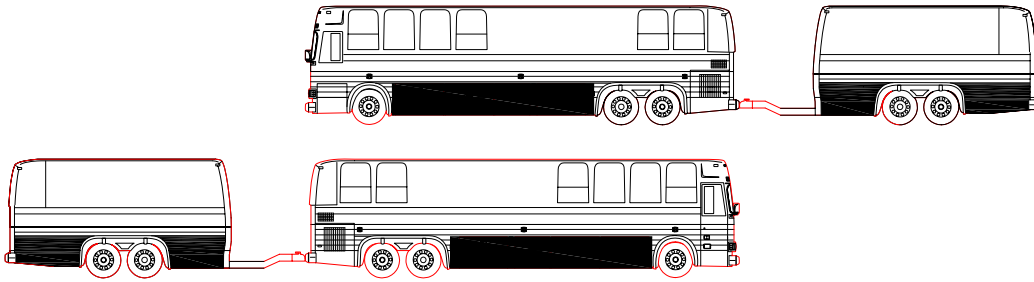


"A"	NO. PREVOST
43 1/4"	470919
44"	472394
46"	472366
49"	472446
49 1/2"	472193
51"	472373
52 1/2"	472461
53"	472819
53 3/4"	472618
56 1/2"	472364
57 1/2"	472553
58 1/2"	472075
59 1/2"	472126
60 1/2"	472450

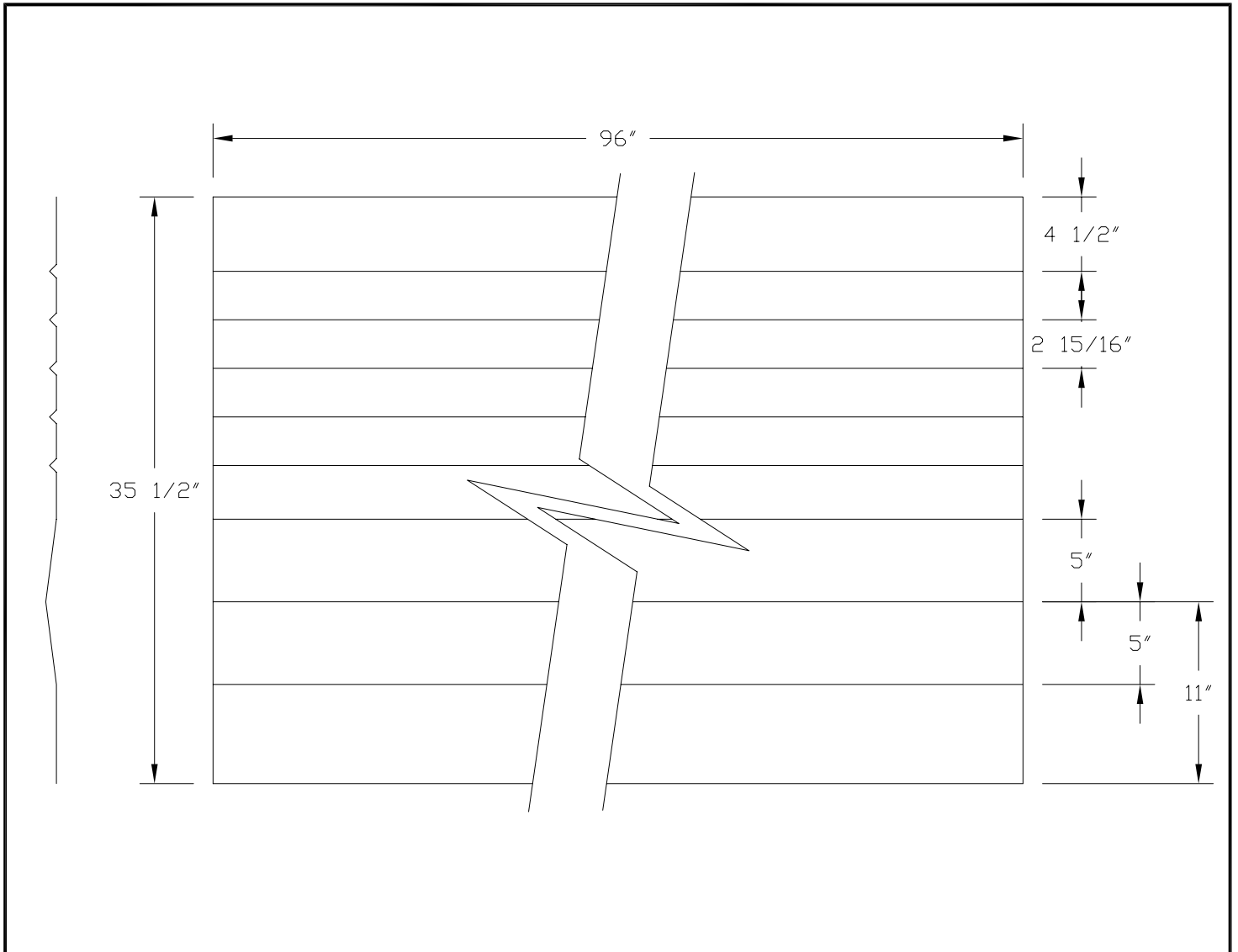
"A"	NO. PREVOST
62 1/2"	472689
63 1/2"	472725
66"	470883
67"	472127
67 3/4"	472799
69 5/8"	472076
71 5/8"	472363
74"	472460
75"	472851
77"	472194
77 1/2"	472833
79"	472447
81"	472372
84"	470882

EFF : E-638	PRIOR: Y-7045	SERVICE PART ONLY	470882
			OPTION LIST
DATE: 99-12			
REV. : A			

PREVOST 96" SERIES



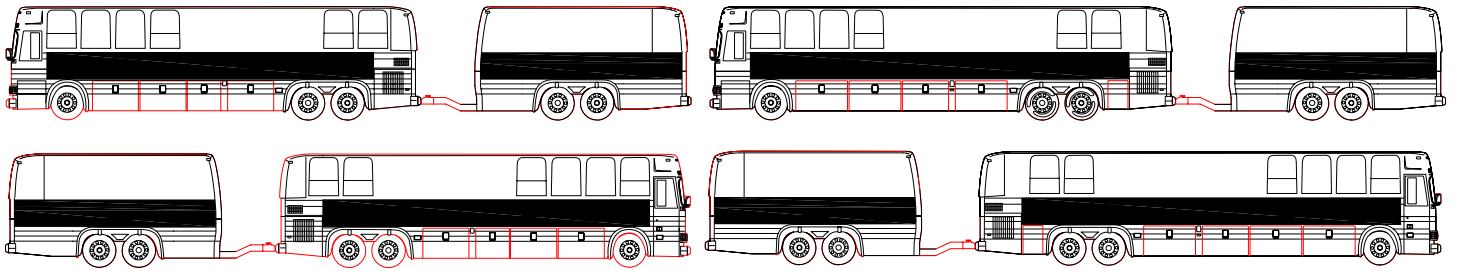
TRAILER & MTH. 40'



LOWER PANEL

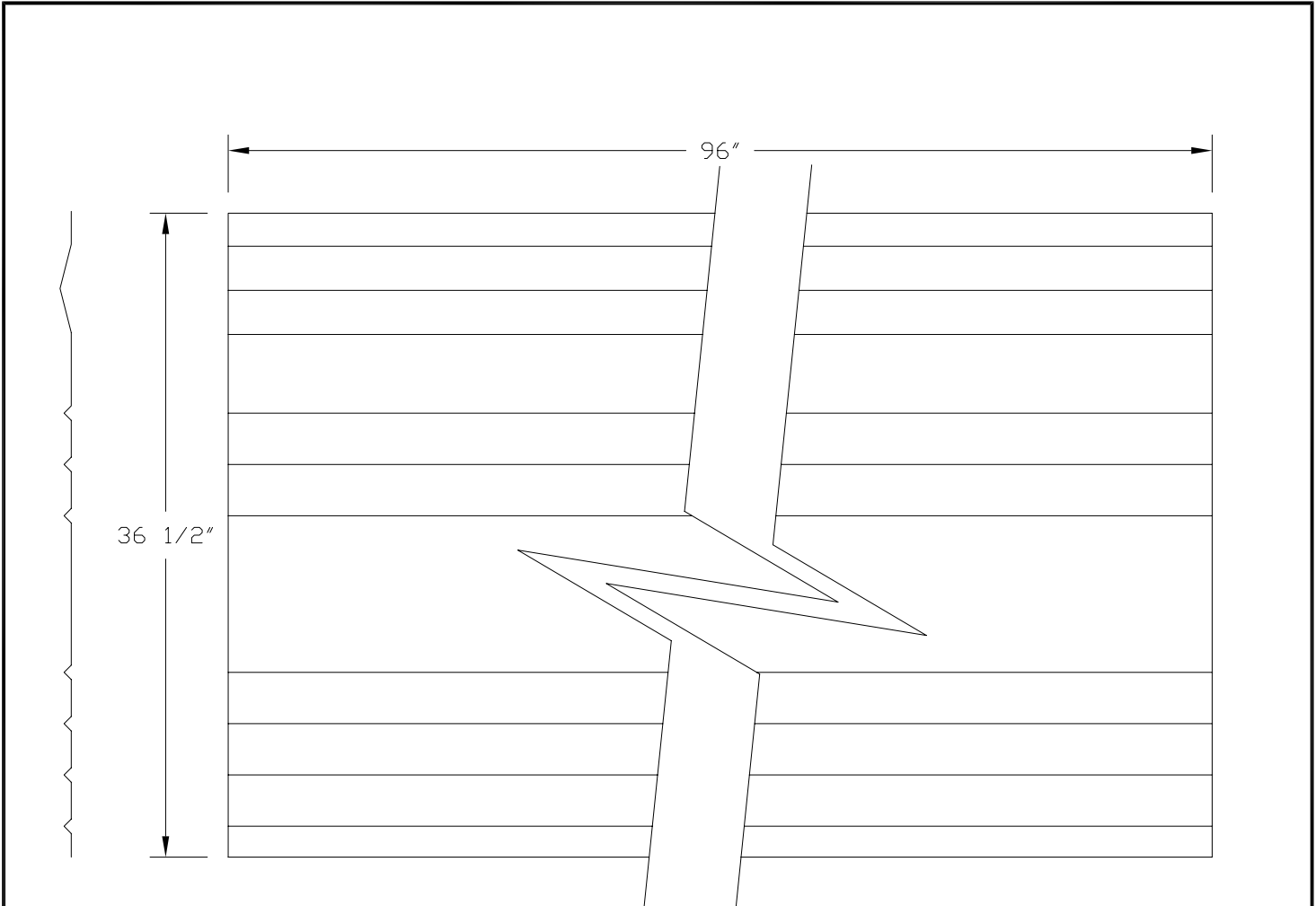
	EFF : YEAR 1973	SERVICE PART ONLY	471753
	PRIOR: YEAR 1984		
DATE: 98-03		OPTION LIST	N.A.
REV. :			

PREVOST® XL SERIES



MTH. 40'

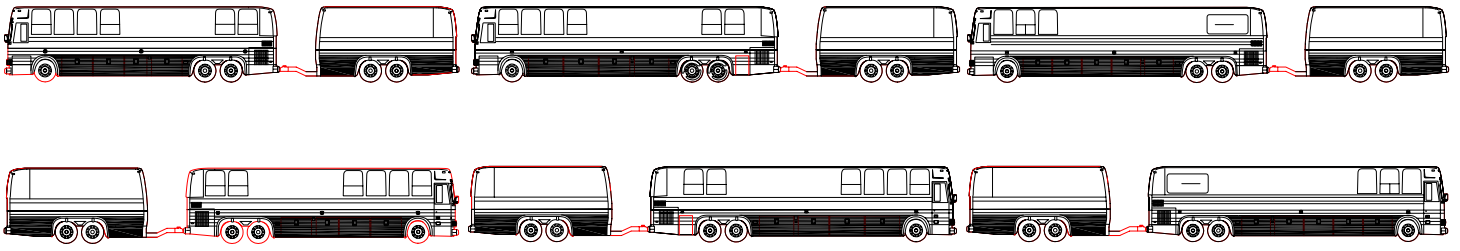
MTH. 45'



UPPER PANELS W/83" MTH

	EFF : E-638	SERVICE PART ONLY	472013
	PRIOR: Y-7045		
DATE: 99-12		OPTION LIST	N.A.
REV. : A			

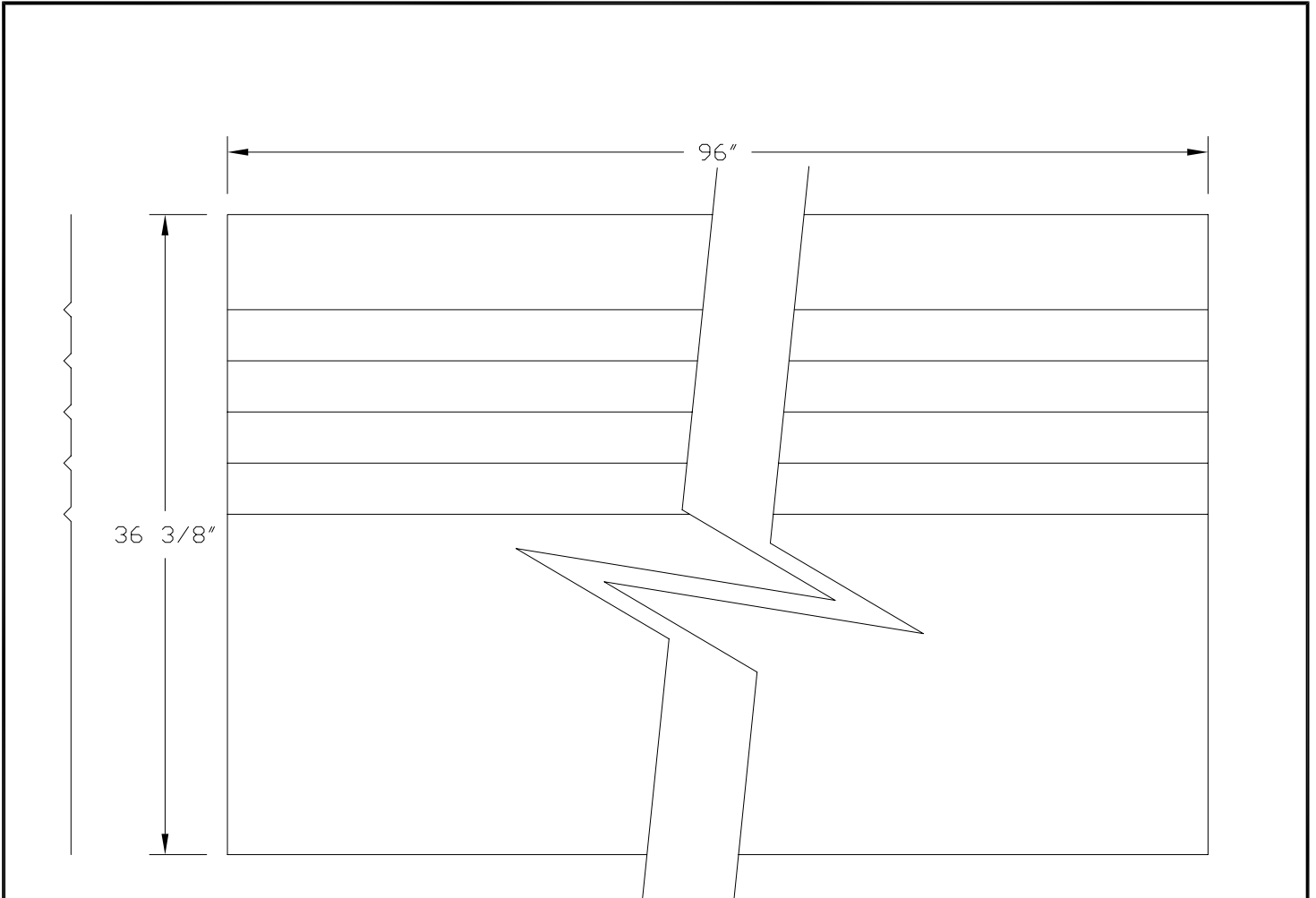
PREVOST XL SERIES



MTH. 40'

MTH. 45'

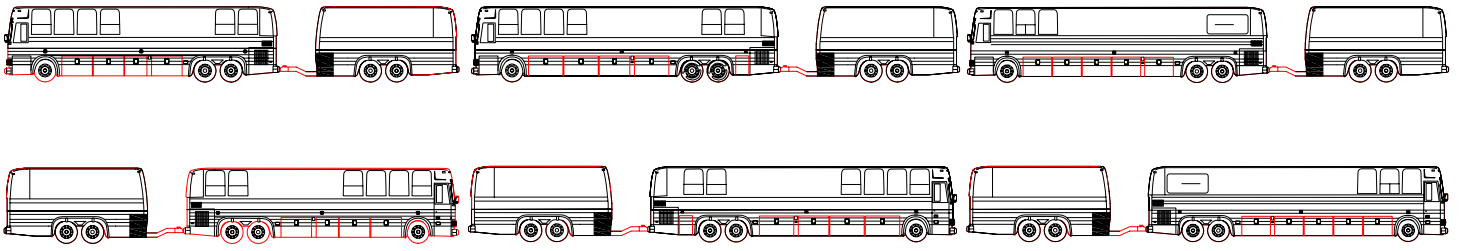
45' ENT.



LOWER PANELS

	EFF : E-638	SERVICE PART ONLY	472014
	PRIOR: Y-7045		
DATE: 99-12		OPTION LIST	N.A.
REV. : A			

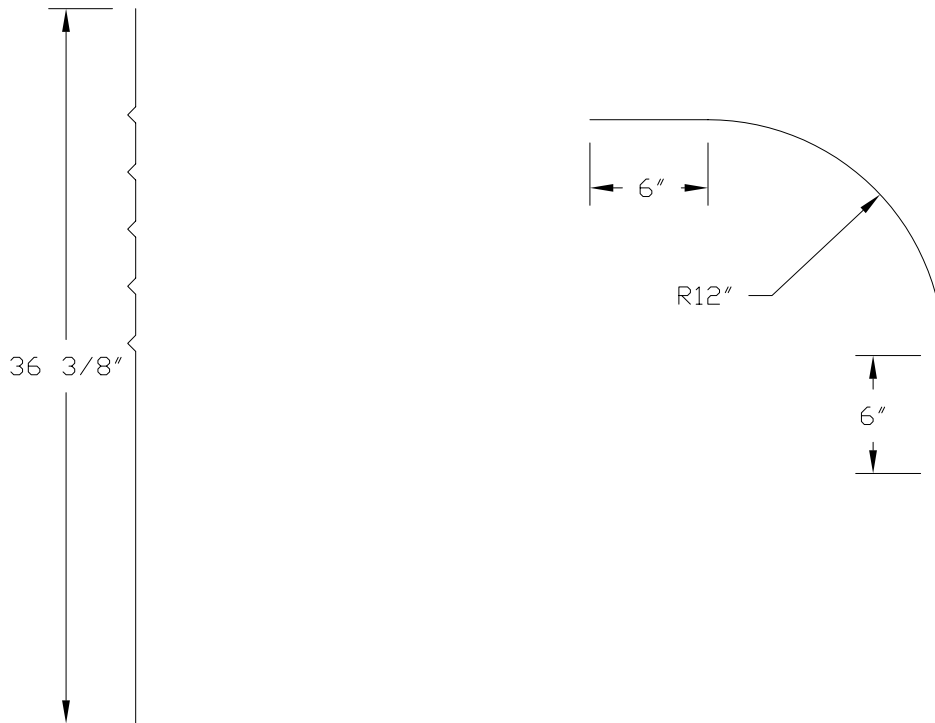
PREVOST XL SERIES



MTH. 40'

MTH. 45'

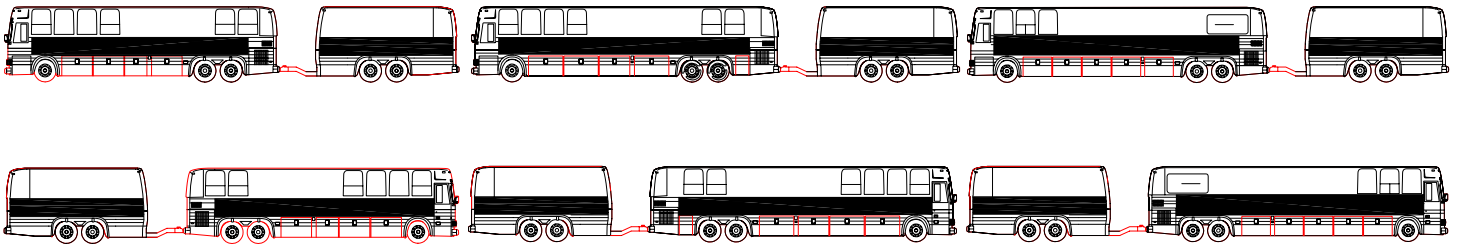
45' ENT.



LOWER PANELS CURVED

	EFF : E-638	SERVICE PART ONLY	472104
	PRIOR: Y-7045		
DATE: 99-12		OPTION LIST	N.A.
REV. : A			

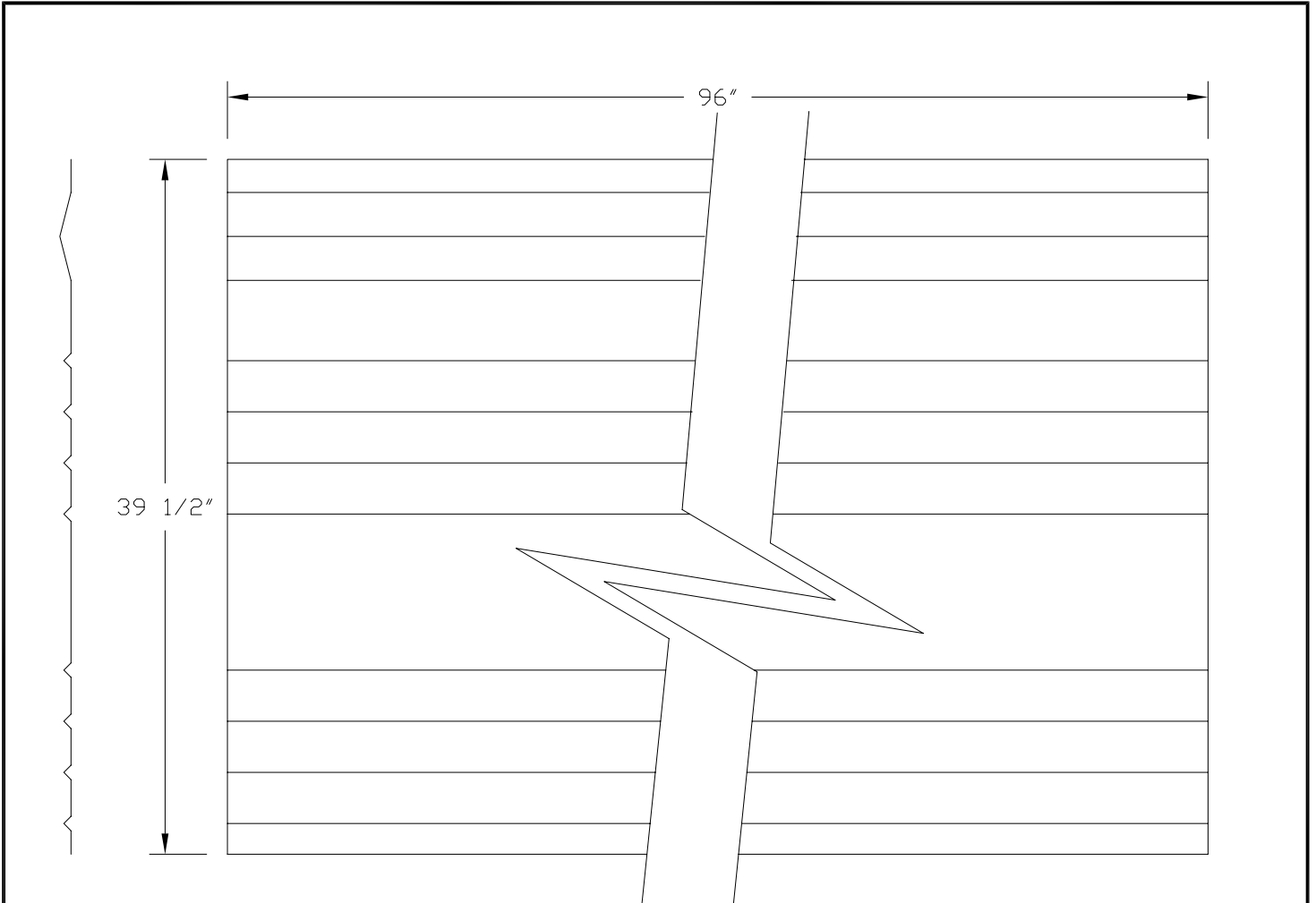
PREVOST XL SERIES



MTH. 40'

MTH. 45'

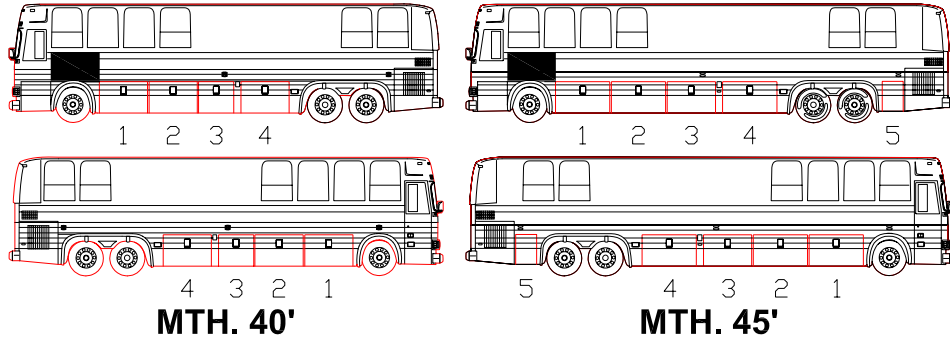
45' ENT.



UPPER PANELS W/86" MTH

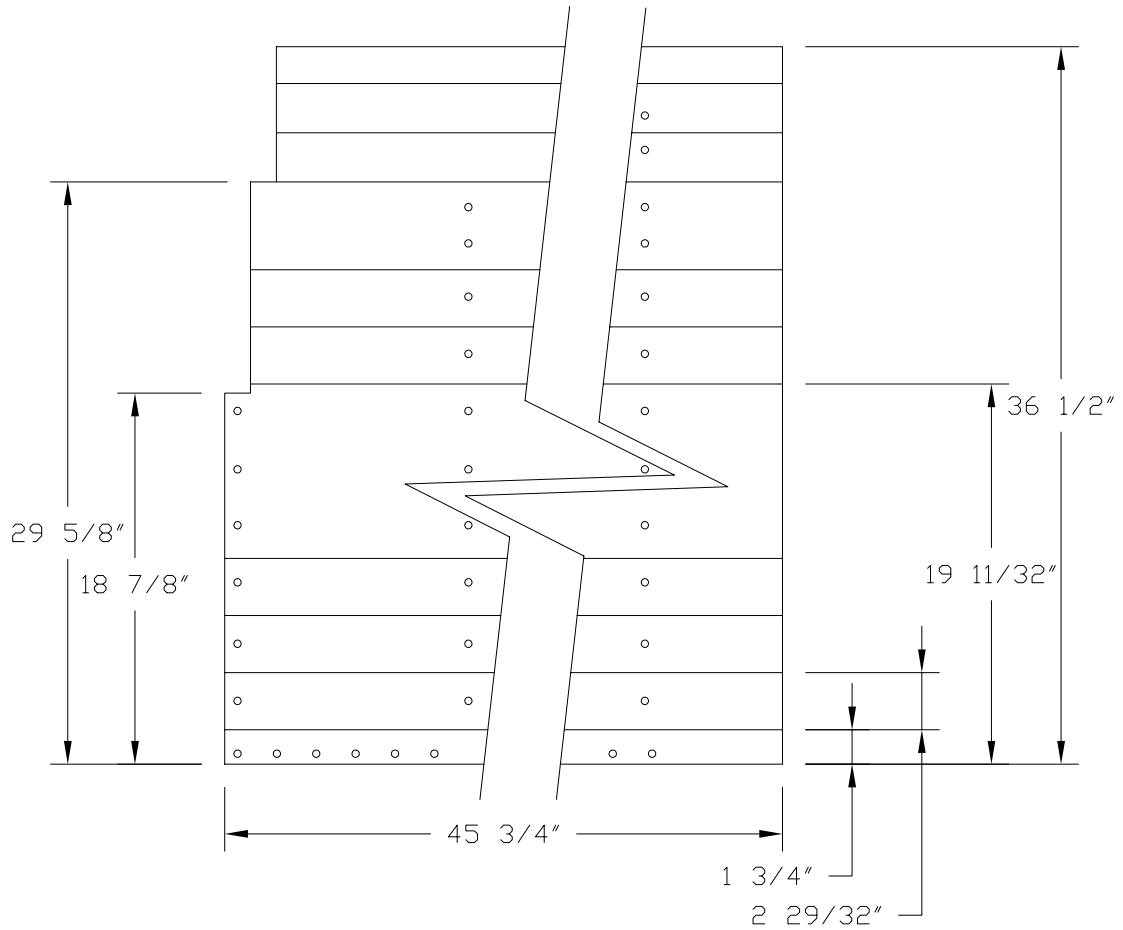
	EFF : E-638	SERVICE PART ONLY	472172
	PRIOR: Y-7045		
DATE: 99-12		OPTION LIST	N.A.
REV. : A			

PREVOST XL SERIES



MTH. 40'

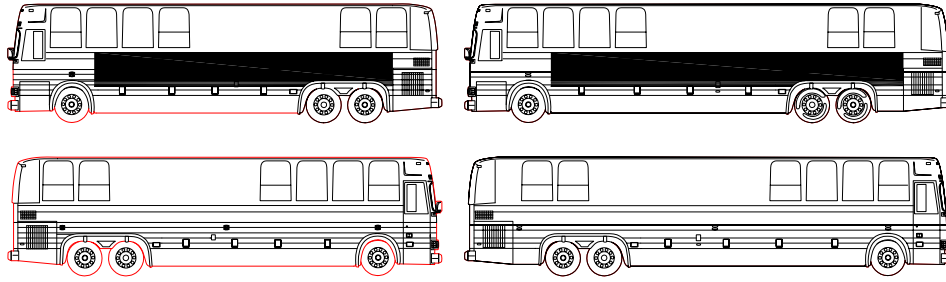
MTH. 45'



SLIDE OUT PANELS W/83" MTH

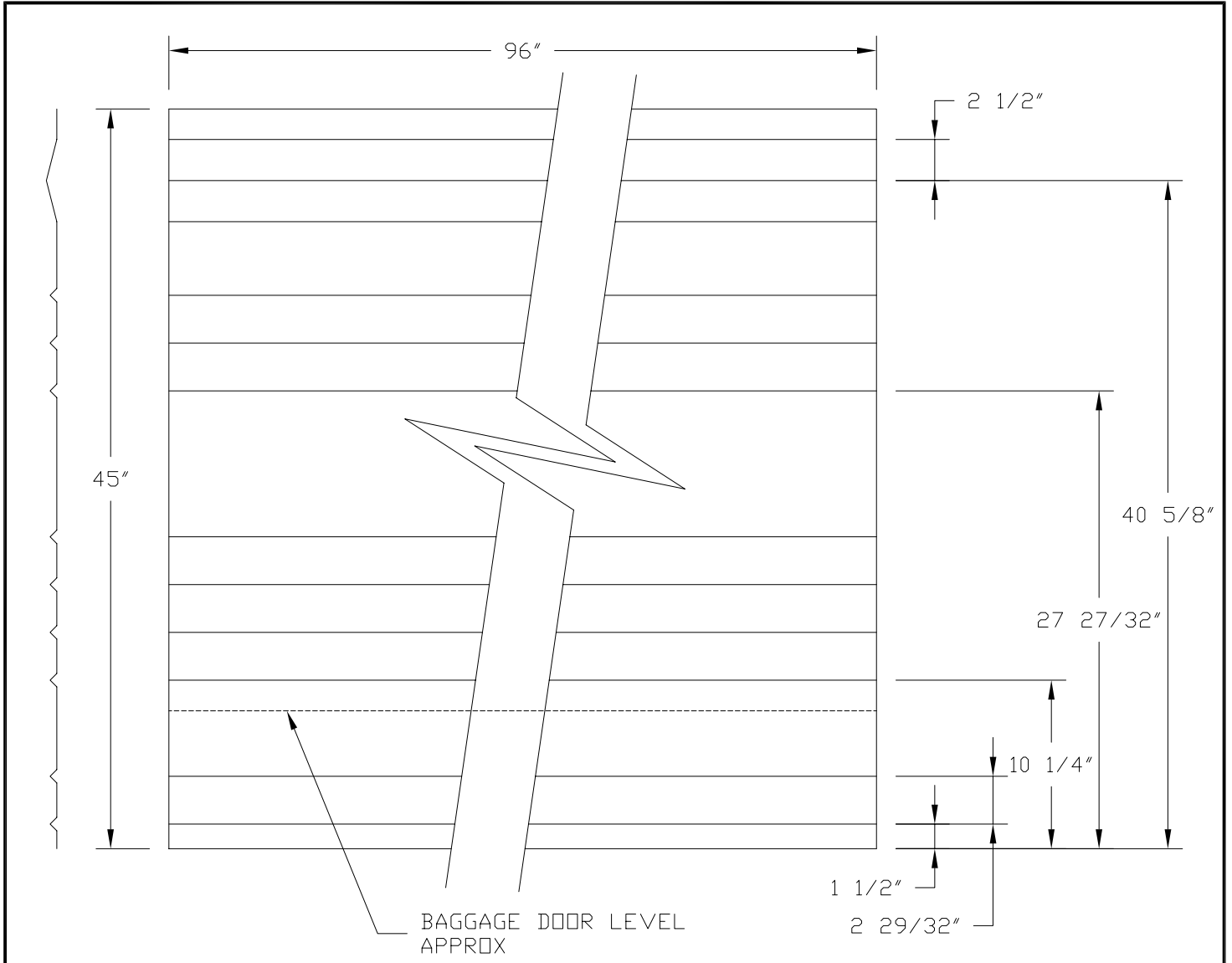
	EFF : E-638	SERVICE PART ONLY	473195
	PRIOR: Y-7045		
DATE: 99-12		OPTION LIST	N.A.
REV.: A			

PREVOST XL SERIES



MTH. 40'

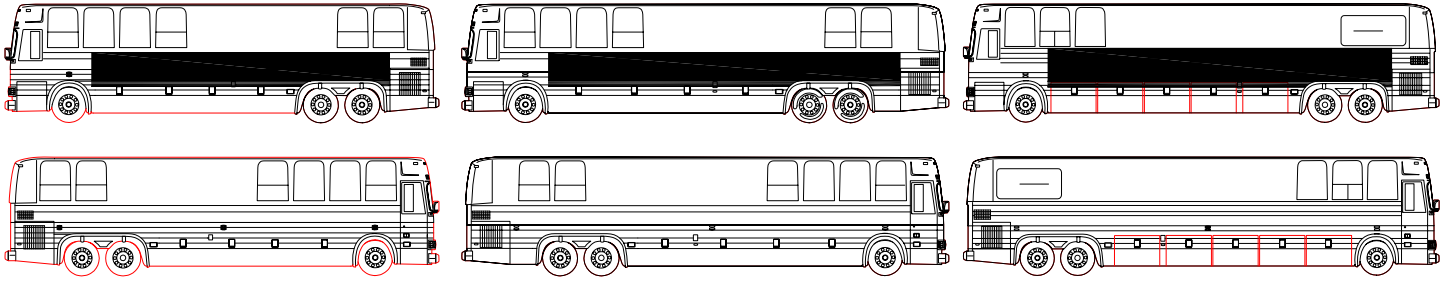
MTH. 45'



SLIDE OUT PANELS W/83" MTH

	EFF : E-638	SERVICE PART ONLY	473196
	PRIOR: Y-7045		
DATE: 99-12		OPTION LIST	N.A.
REV.: A			

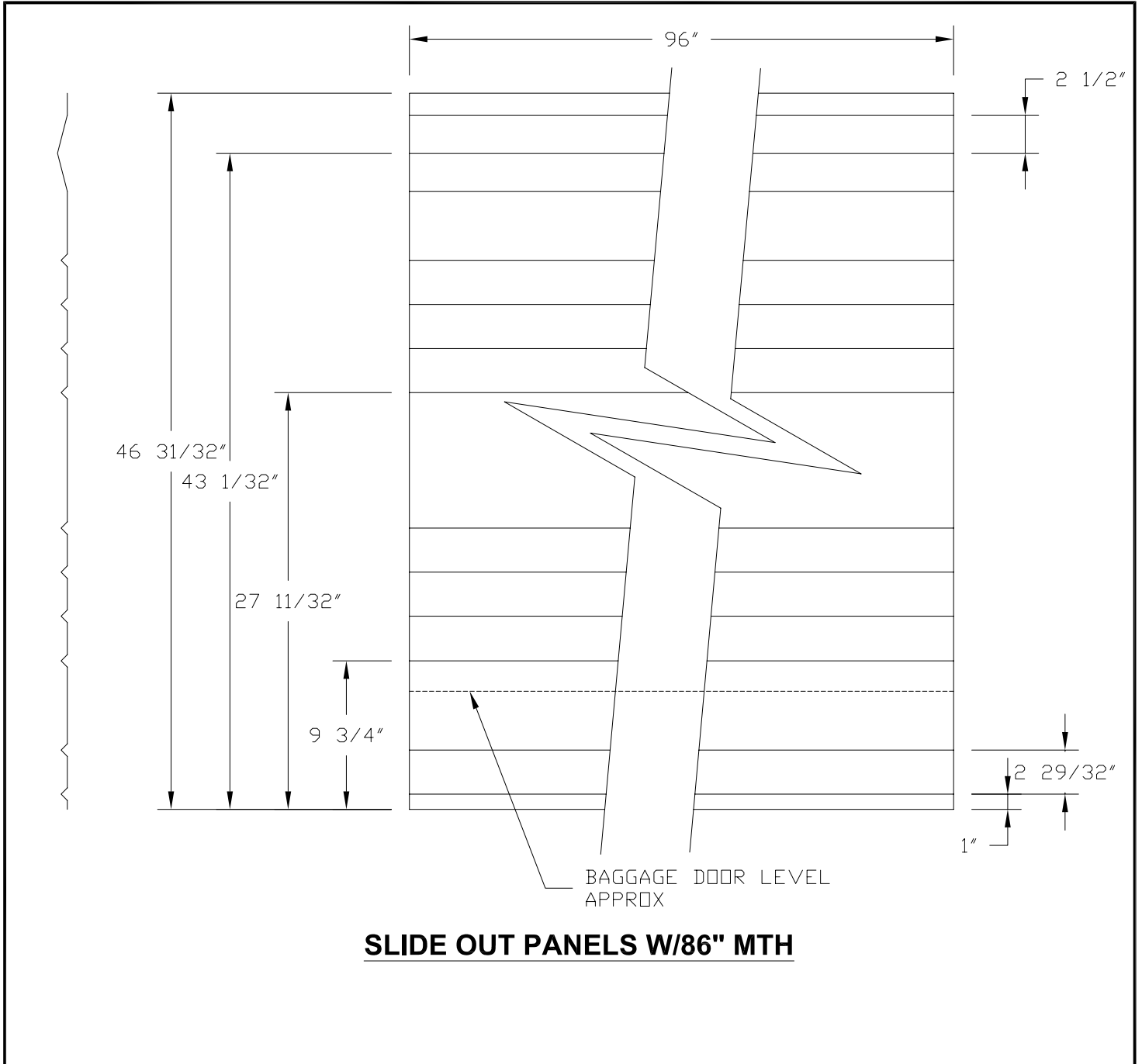
PREVOST XL SERIES



MTH. 40'

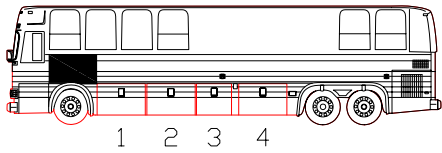
MTH. 45'

45' ENT.

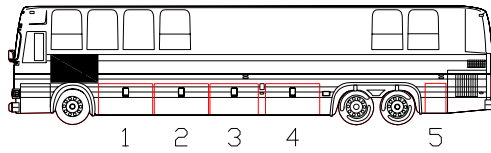


EFF : E-638	SERVICE PART ONLY	473321
PRIOR: Y-7045		
DATE: 99-12	OPTION LIST	N.A.
REV.: A		

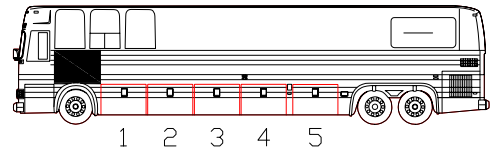
PREVOST XL SERIES



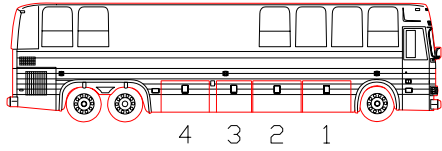
1 2 3 4



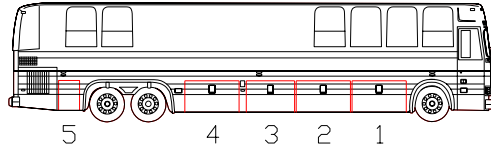
1 2 3 4 5



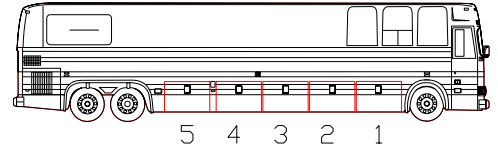
1 2 3 4 5



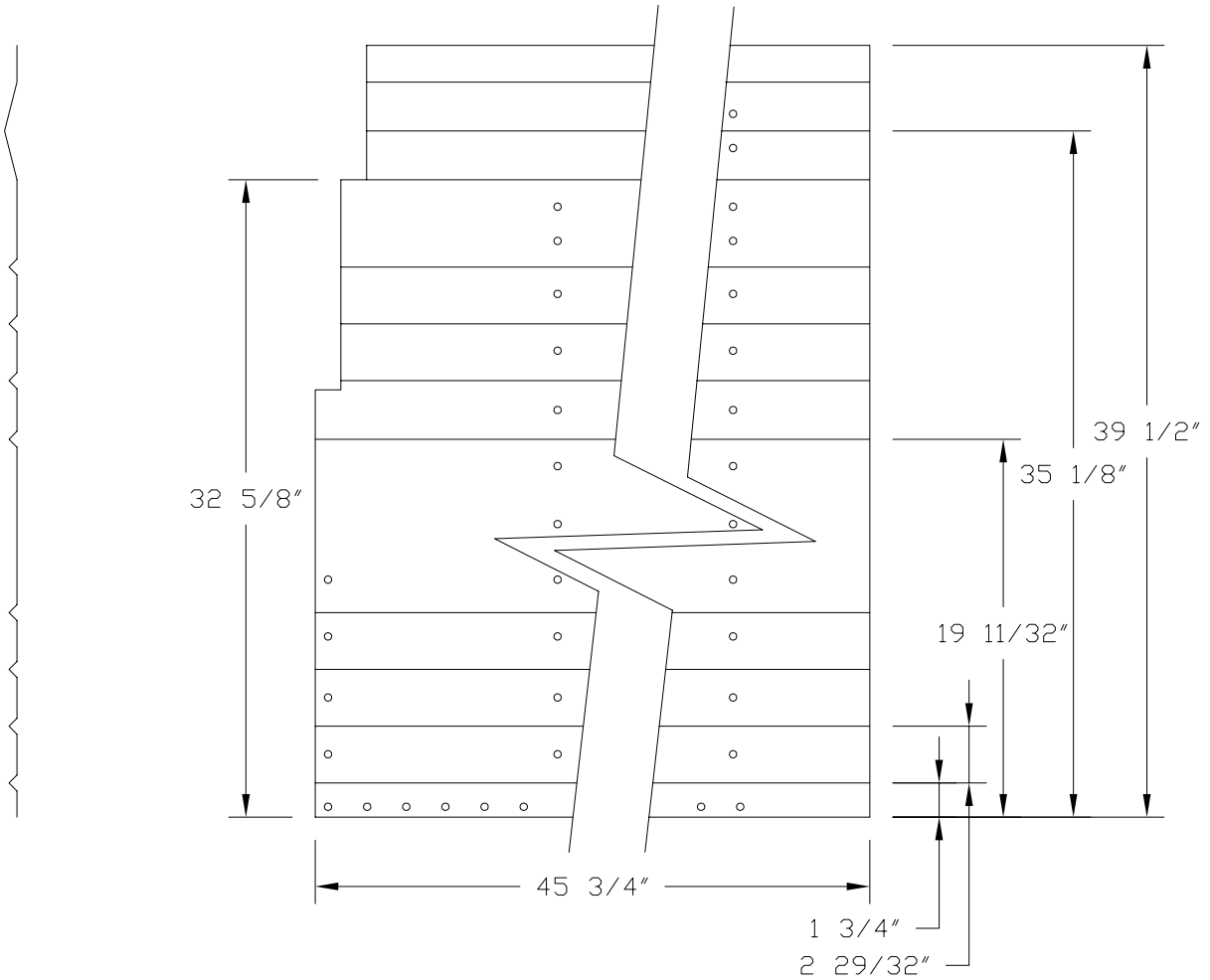
MTH. 40'



MTH. 45'



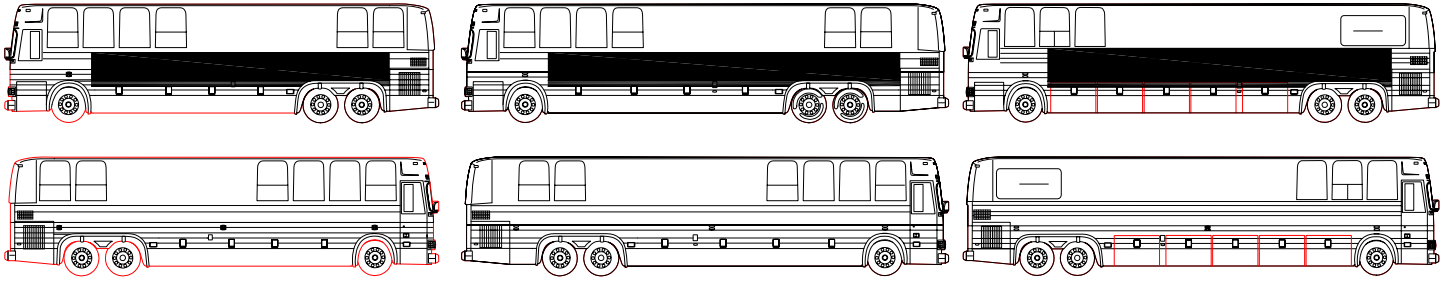
45' ENT.



SLIDE OUT PANELS W/86" MTH

	EFF : E-638	SERVICE PART ONLY	473322
	PRIOR: Y-7045		
DATE: 99-12		OPTION LIST	N.A.
REV.: A			

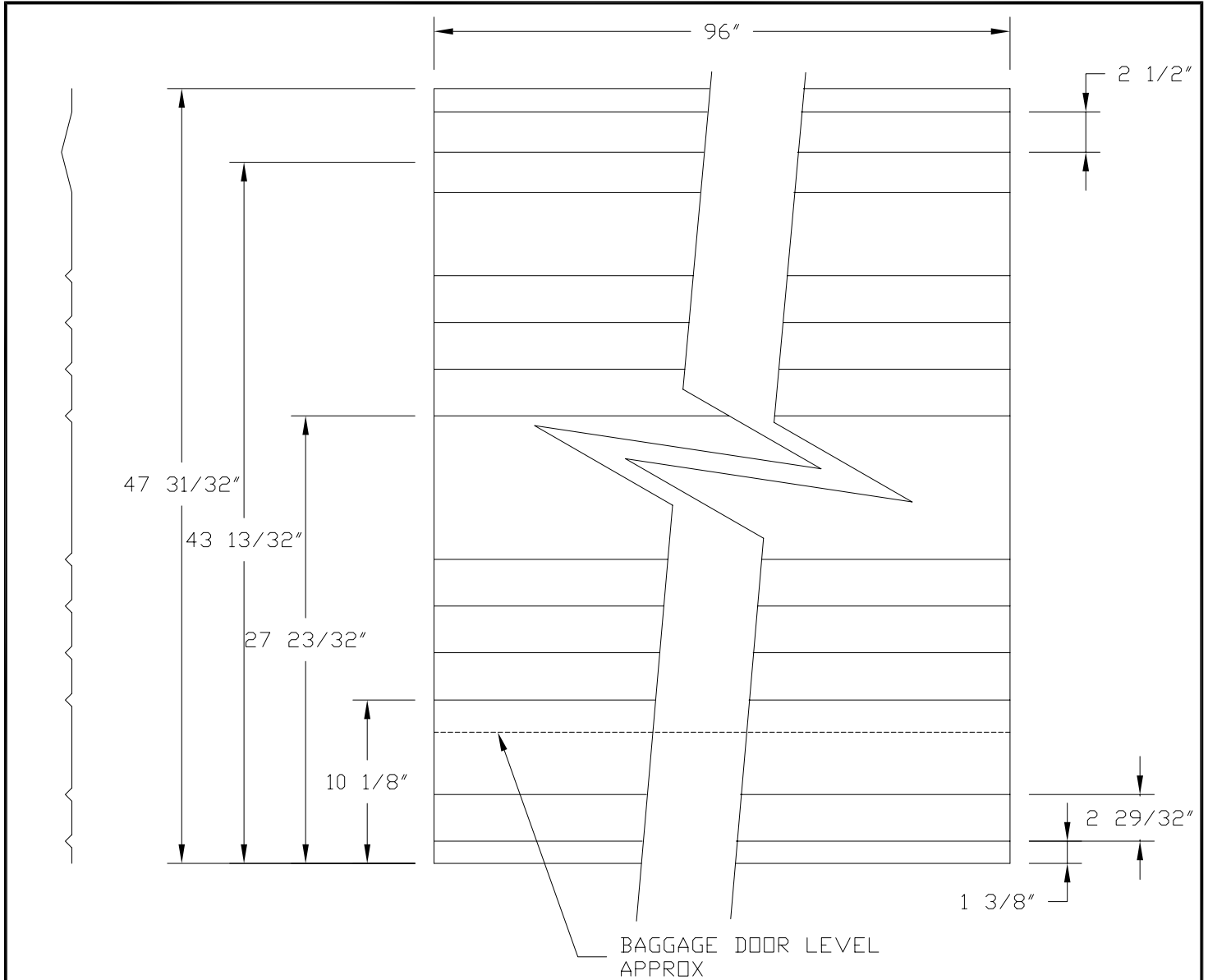
PREVOST XL SERIES



MTH. 40'

MTH. 45'

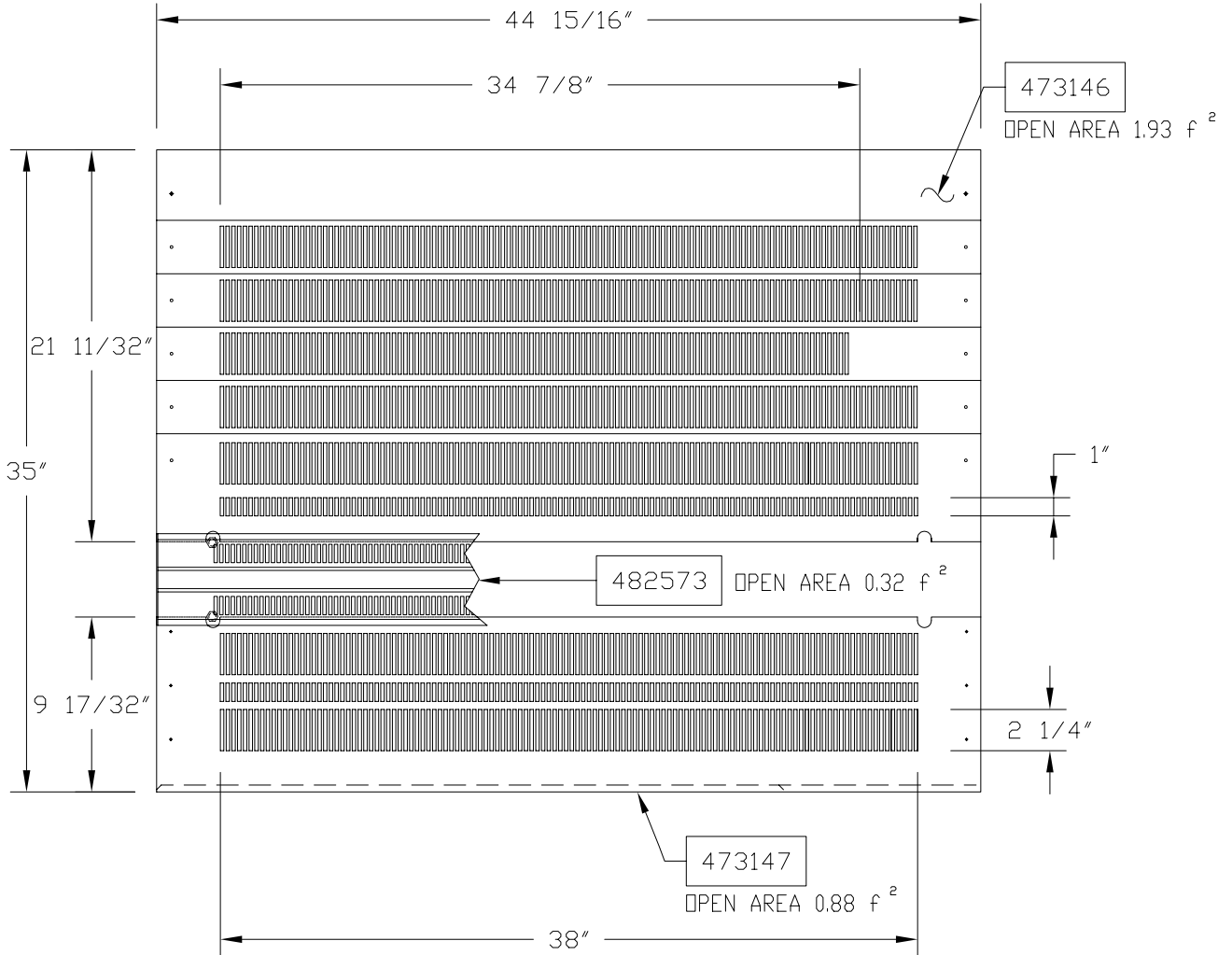
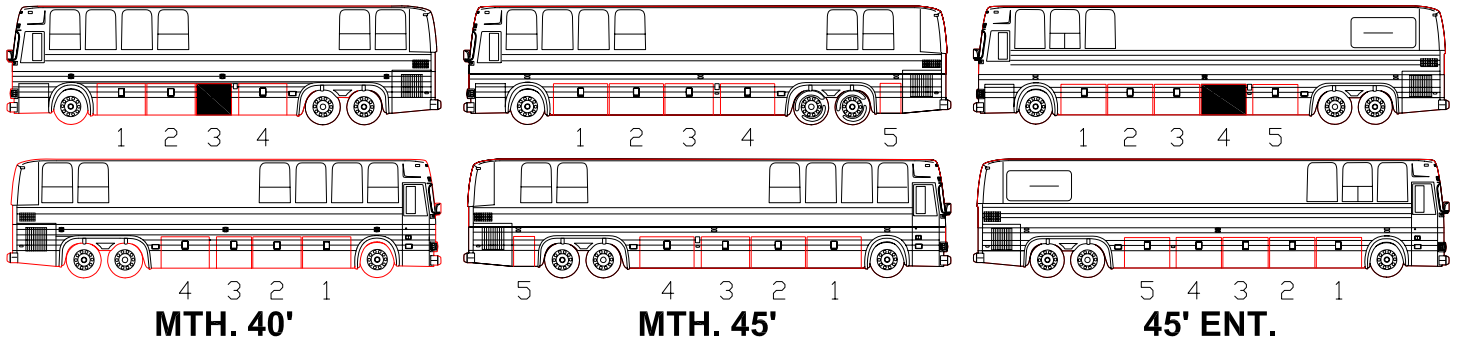
45' ENT.



SLIDE OUT PANELS W/86" MTH

	EFF : E-638	SERVICE PART ONLY	473581
	PRIOR: Y-7045		
DATE: 03-07		OPTION LIST	N.A.
REV. :			

PREVOST XL SERIES



EXTERIOR VIEW

NOTE:
-DOOR WITH HINGE
ON L.H. SIDE OF
FRAME

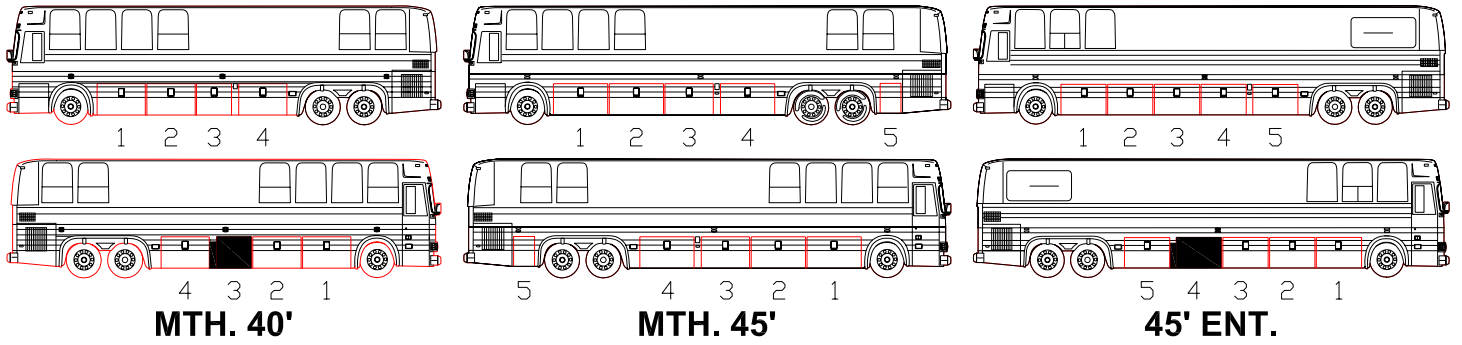
PROTECTOR NOT INCLUDED

TOTAL PERFORATED
AREA:

W/O PROTECTOR: 2.81 f²
 W/ PROTECTOR: 3.13 f²

EFF : E-638	DOOR ASSY ONLY IN SERVICE PART	482295P
PRIOR: Y-7045		
DATE: 99-12	OPTION LIST	482295
REV. : A		
	WITHOUT INSULATION	X

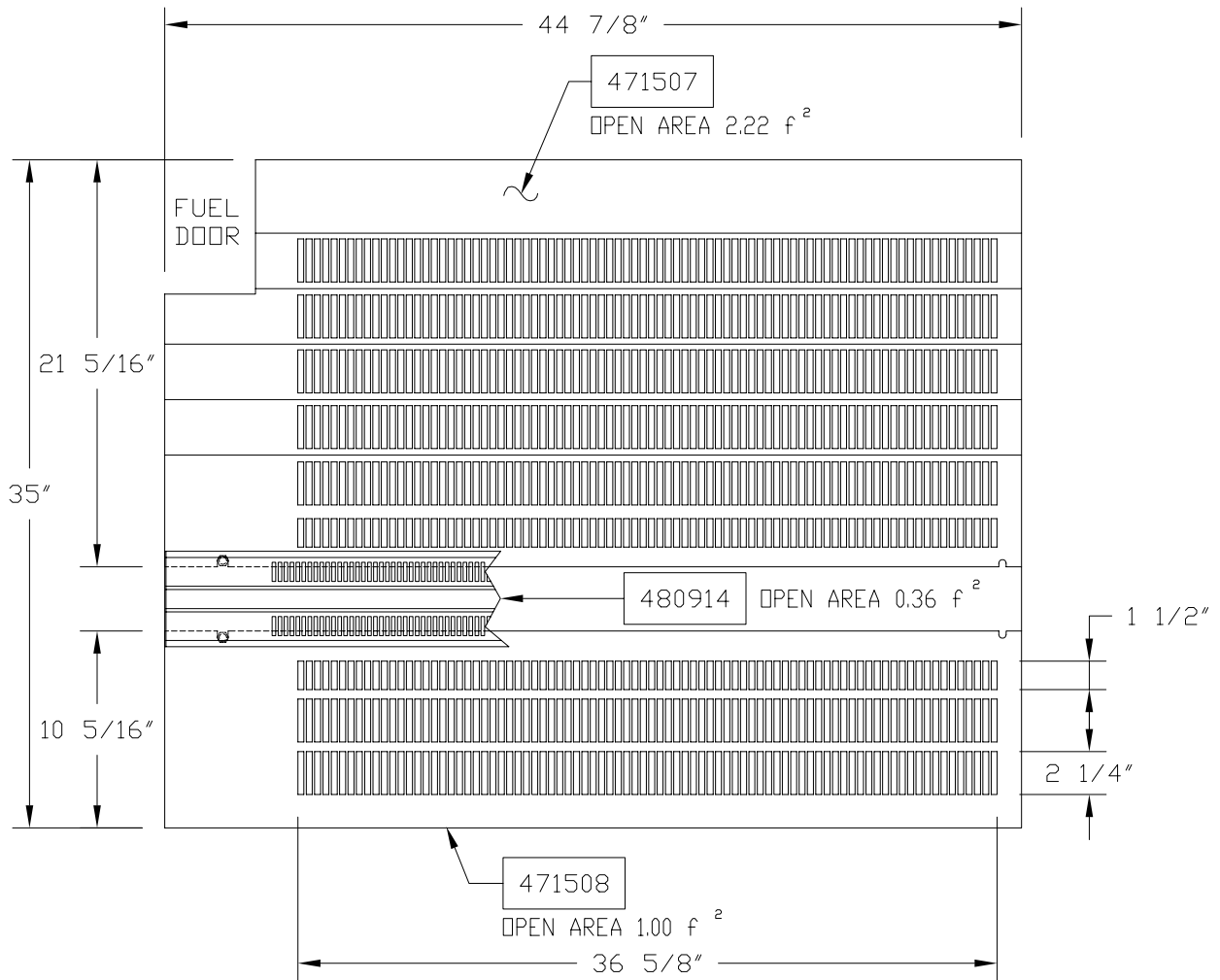
PREVOST XL SERIES



MTH. 40'

MTH. 45'

45' ENT.



EXTERIOR VIEW

NOTE:

**-DOOR WITH HINGE
ON R.H. SIDE OF
FRAME**

PROTECTOR NOT INCLUDED

TOTAL PERFORATED

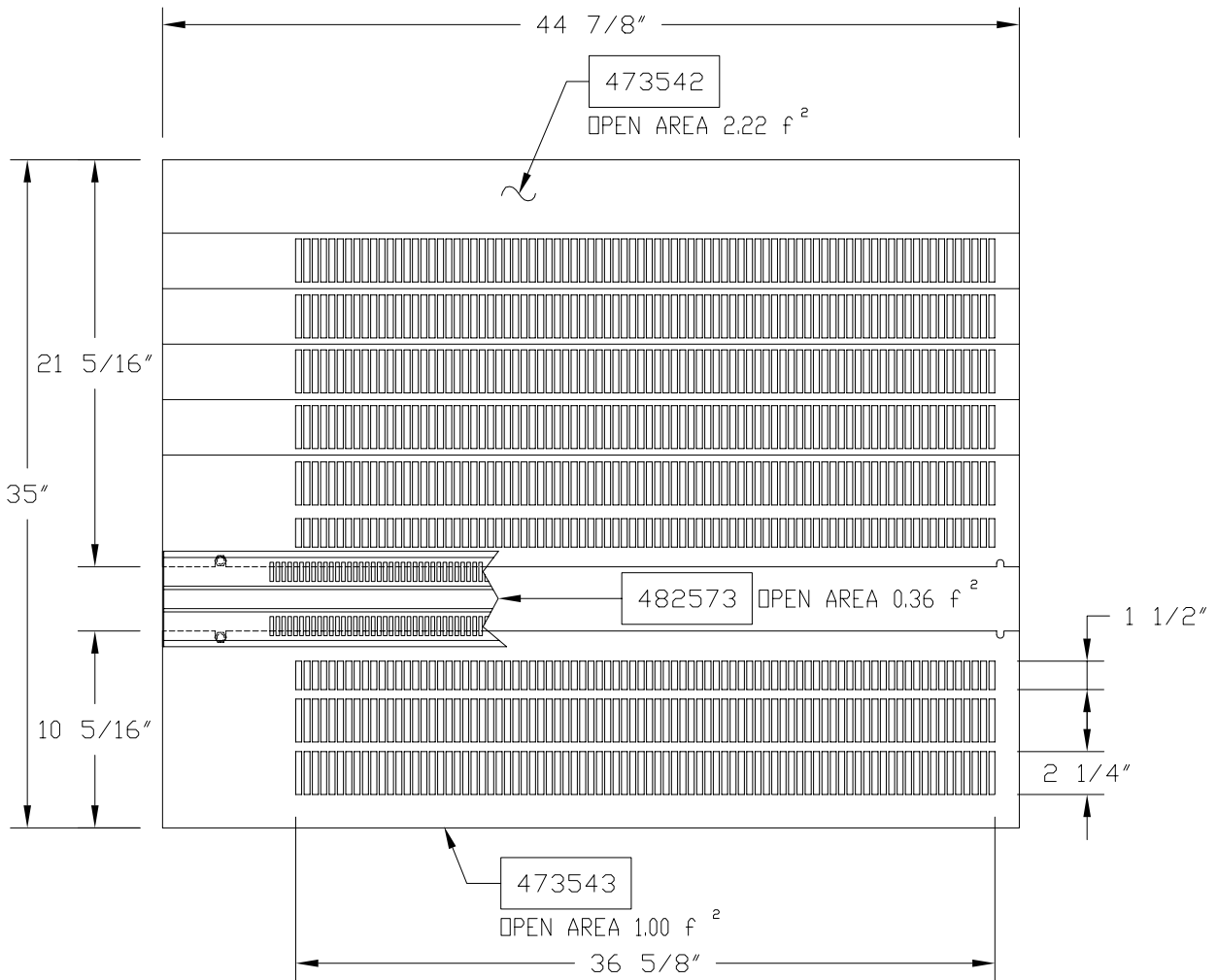
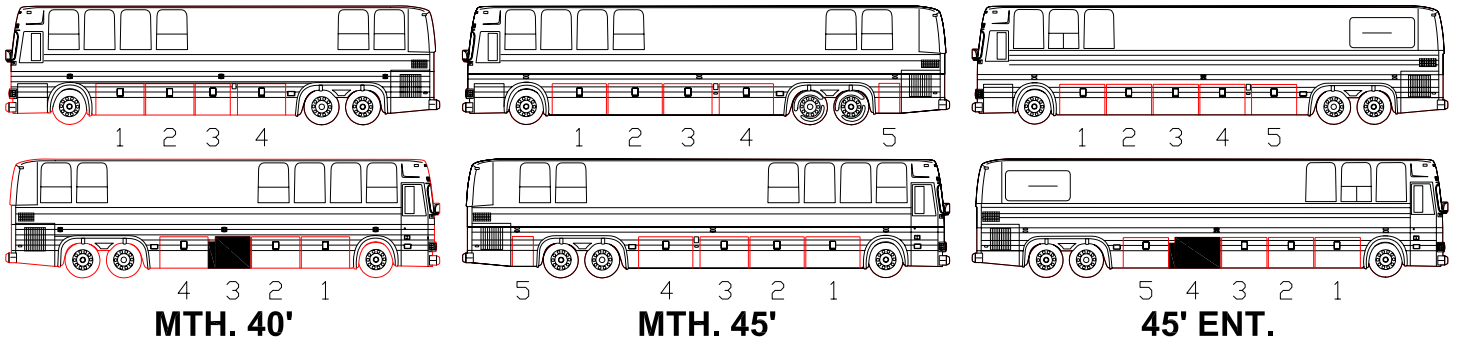
AREA:

W/O PROTECTOR: 3.22 f²

W/ PROTECTOR: 3.58 f²

EFF :	E-638	DOOR ASSY ONLY IN SERVICE PART	482301P
PRIOR:	Y-7045		
DATE: 99-12	WITH INSULATION	OPTION LIST	482301
REV. : A	WITHOUT INSULATION X		

PREVOST XL SERIES



EXTERIOR VIEW

NOTE:
-DOOR WITH HINGE
ON R.H. SIDE OF
FRAME

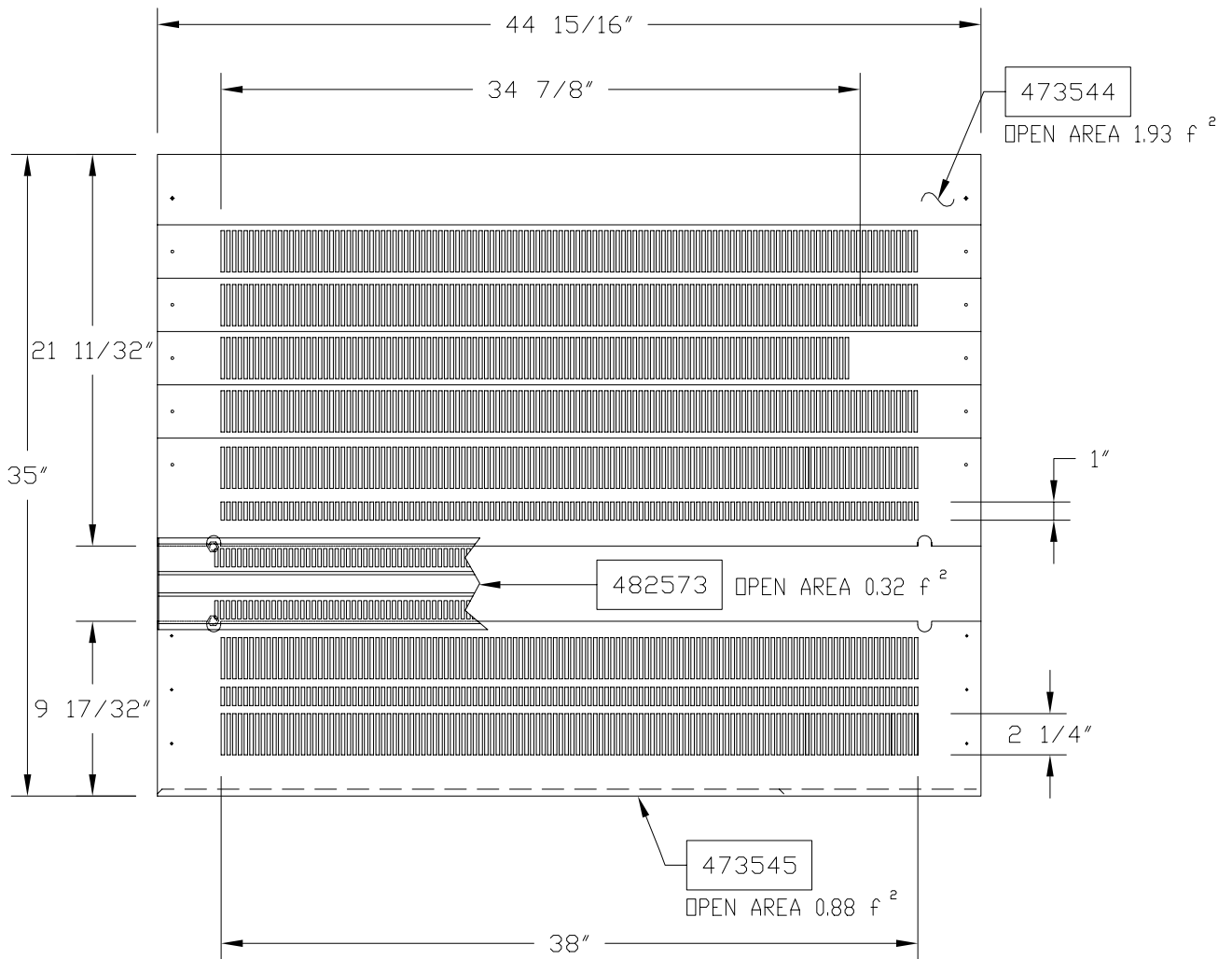
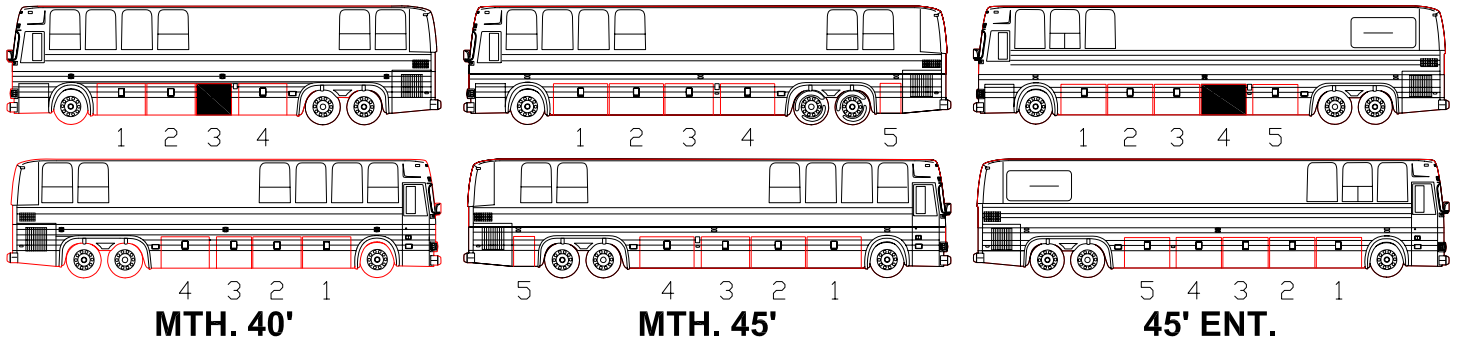
PROTECTOR NOT INCLUDED

TOTAL PERFORATED AREA:

W/O PROTECTOR: 3.22 f²
 W/ PROTECTOR: 3.58 f²

DATE: 99-12	EFF : V-6258	DOOR ASSY ONLY IN SERVICE PART	482682P
REV. : A	PRIOR: Y-7045		
	WITH INSULATION	OPTION LIST	482682
	WITHOUT INSULATION		

PREVOST XL SERIES



EXTERIOR VIEW

NOTE:
-DOOR WITH HINGE
ON L.H. SIDE OF
FRAME

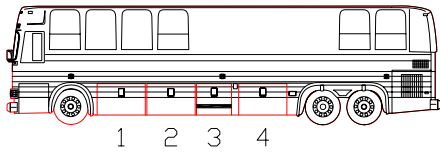
PROTECTOR NOT INCLUDED

TOTAL PERFORATED
AREA:

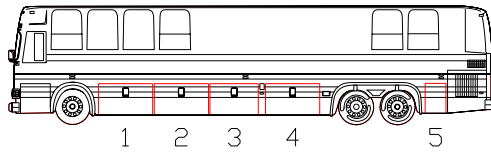
W/O PROTECTOR: 2.81 f²
 W/ PROTECTOR: 3.13 f²

EFF : V-6258	DOOR ASSY ONLY IN SERVICE PART	482687P
PRIOR: Y-7045		
DATE: 99-12	WITH INSULATION	OPTION LIST
REV. : A	WITHOUT INSULATION X	

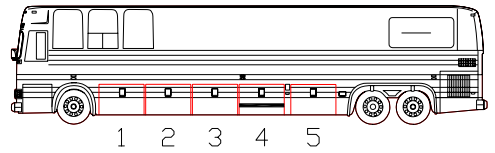
PREVOST® XL SERIES



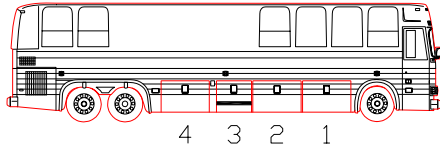
1 2 3 4



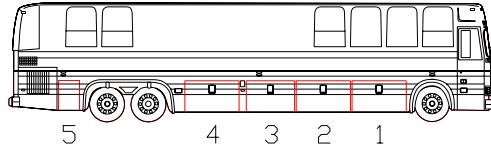
1 2 3 4 5



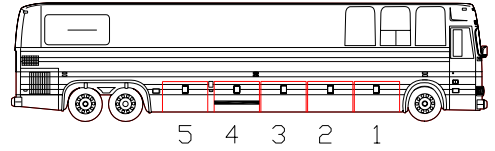
1 2 3 4 5



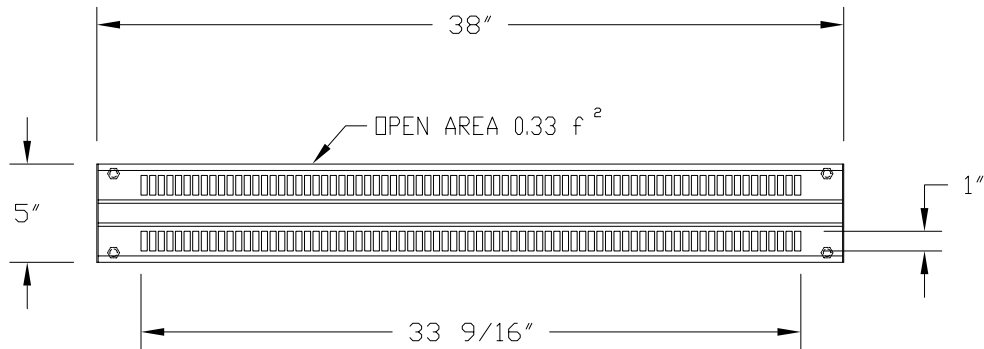
MTH. 40'



MTH. 45'



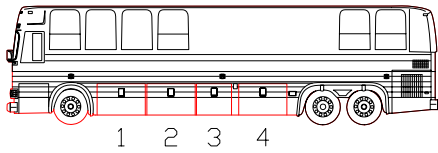
45' ENT.



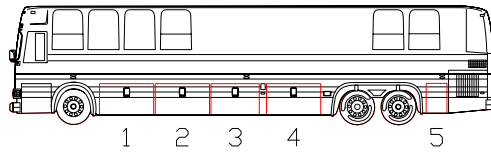
NOTE:
-TO USE ONLY WITH
OPTION LIST #482112

TOTAL PERFORATED AREA: $0.33 f^2$	EFF : E-652	SERVICE PART ONLY	482266
	PRIOR: V-6258		
DATE: 98-03	WITH INSULATION	OPTION LIST	PR-01
REV. :	WITHOUT INSULATION		

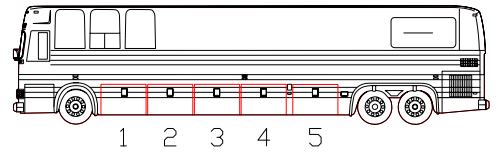
PREVOST XL SERIES



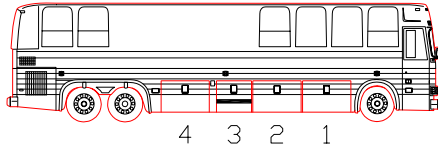
1 2 3 4



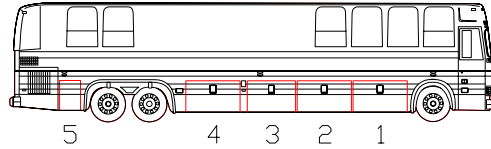
1 2 3 4 5



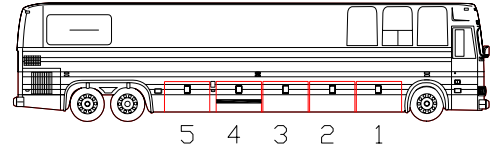
1 2 3 4 5



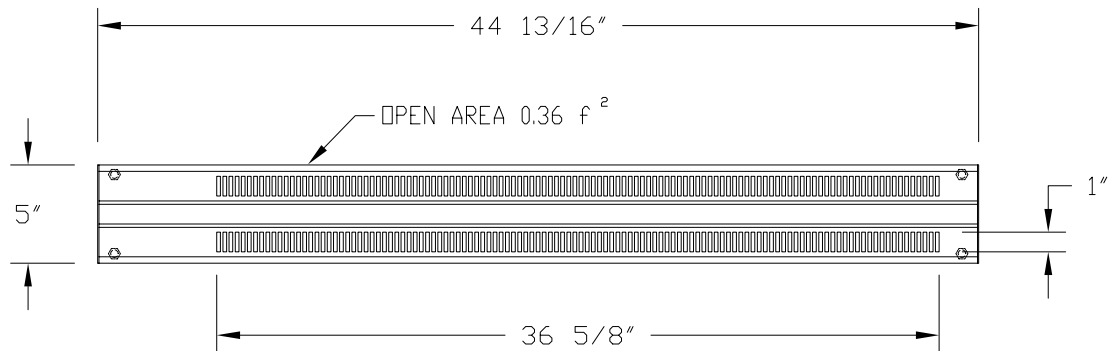
MTH. 40'



MTH. 45'



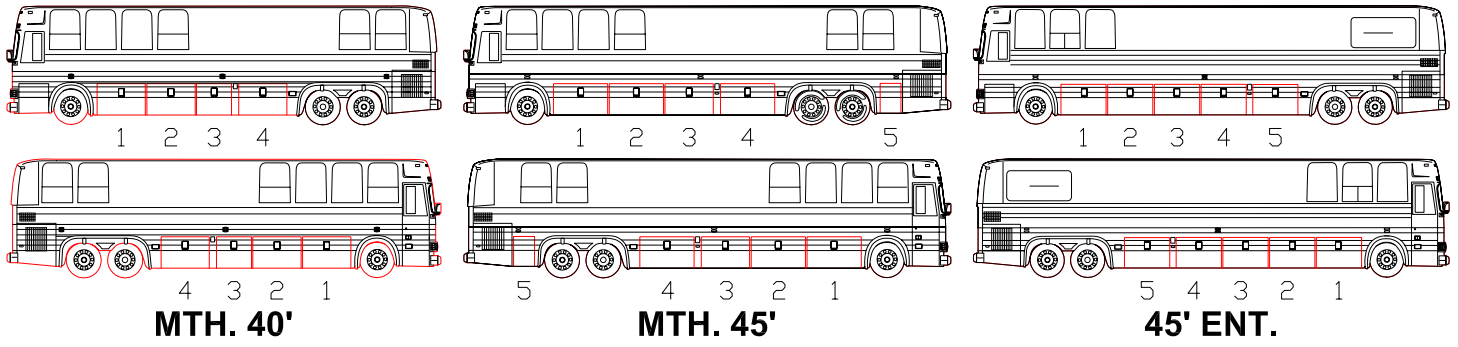
45' ENT.



NOTE:
TO USE ONLY WITH
REINFORCED LUGGAGE DOOR
OPTION LIST #482301

TOTAL PERFORATED AREA: 0.36 f ²	EFF : E-652	SERVICE PART ONLY	480914
	PRIOR: V-6258		
DATE: 98-03	WITH INSULATION	OPTION LIST	PR-02
REV. :	WITHOUT INSULATION		

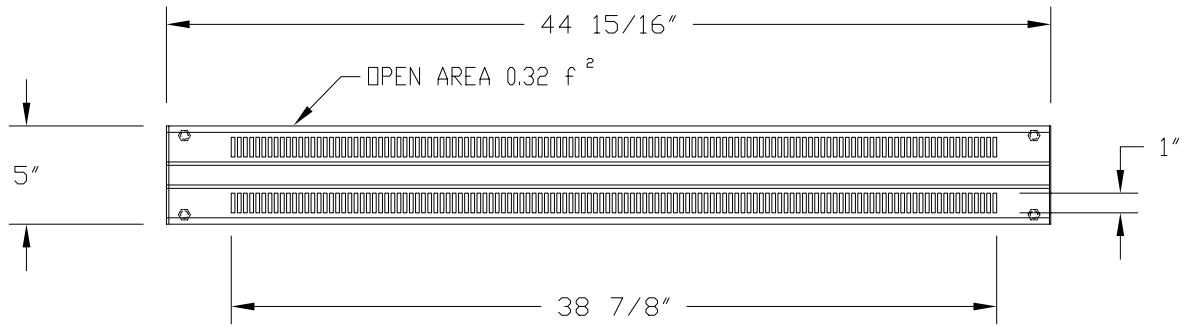
PREVOST XL SERIES



MTH. 40'

MTH. 45'

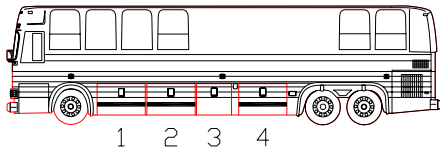
45' ENT.



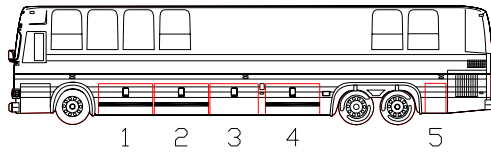
NOTE:
TO USE ONLY WITH
OPTION LIST #482295
& 482687

TOTAL PERFORATED AREA: 0.32 f ²	EFF : V-6258	SERVICE PART ONLY	482573
	PRIOR: Y-7045		
DATE: 98-03	WITH INSULATION	OPTION LIST	PR-03
REV. :	WITHOUT INSULATION		

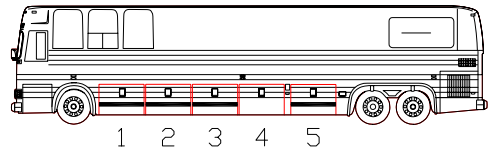
PREVOST XL SERIES



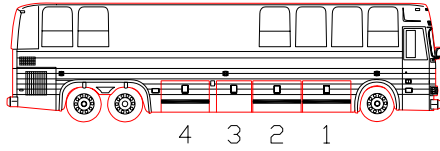
1 2 3 4



1 2 3 4 5

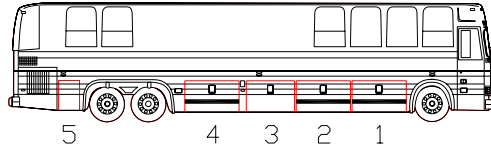


1 2 3 4 5



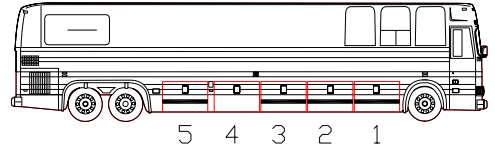
4 3 2 1

MTH. 40'



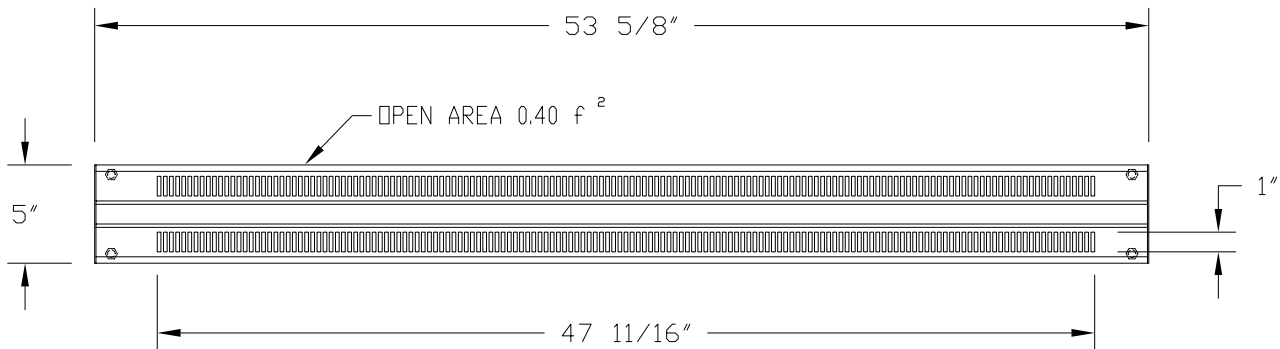
5 4 3 2 1

MTH. 45'



5 4 3 2 1

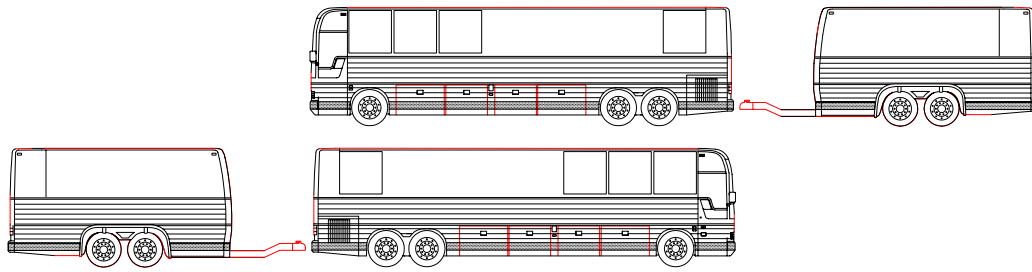
45' ENT.



NOTE:
TO USE ONLY WITH
REINFORCED LUGGAGE DOOR
OPTION LIST #482294

TOTAL PERFORATED AREA: 0.40 f ²	EFF : E-638	SERVICE PART ONLY	482577
	PRIOR:		
DATE: 98-03	WITH INSULATION	OPTION LIST	PR-04
REV. :	WITHOUT INSULATION		

PREVOST® *Le Mirage XL* III



TRAILER & MTH.

MISCELLANEOUS PANELS

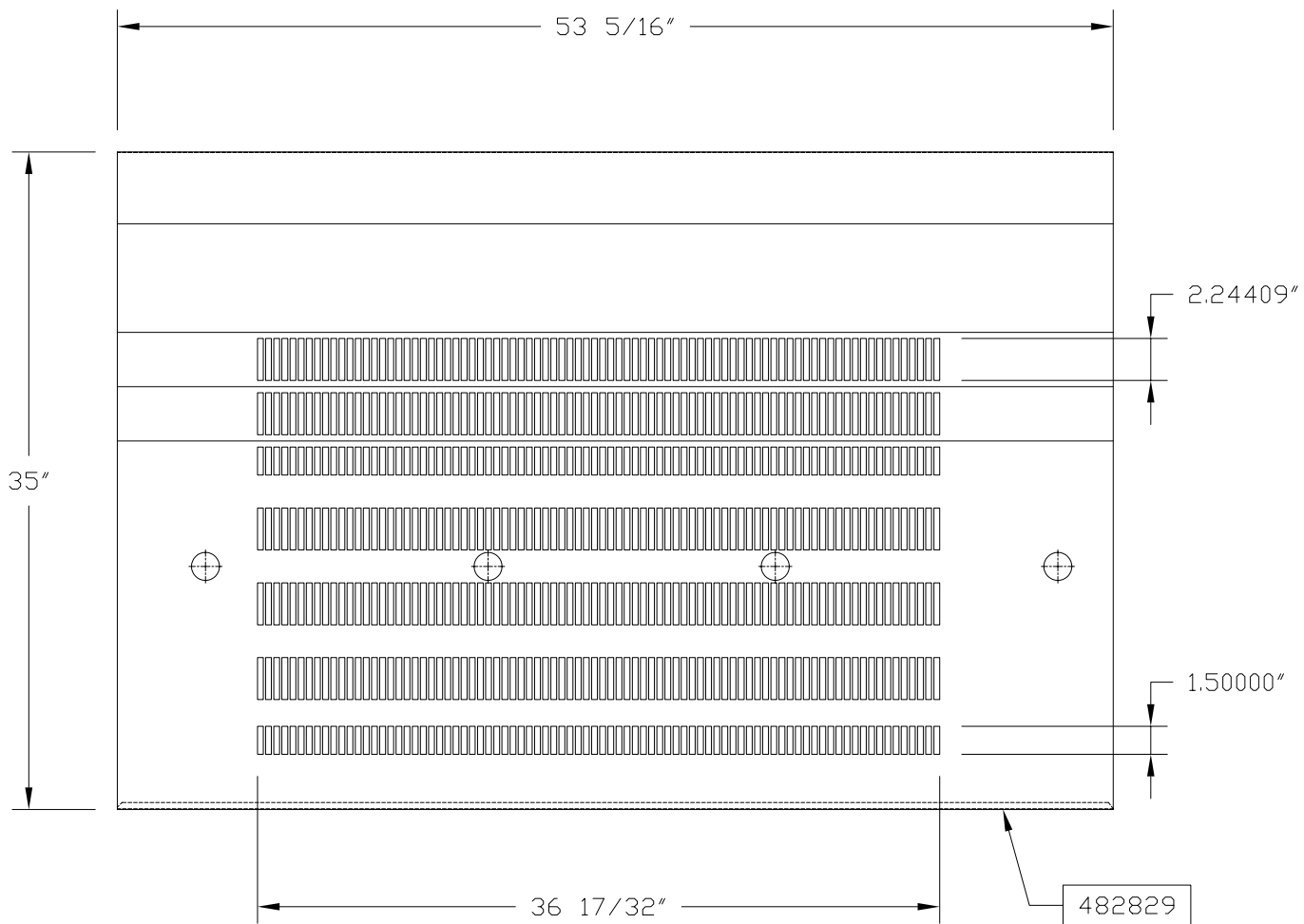
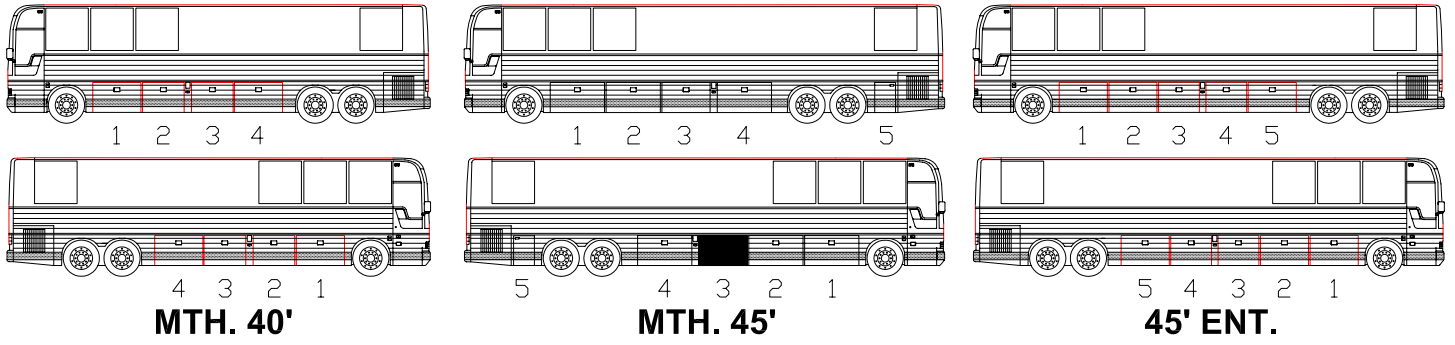
PART NUMBER	WHERE USED	MODEL	YEAR	OTHERS	NOTE
482678	R.H. HINGE BAGGAGE DOOR	"XL" II	2000 TO DATE		PANEL 482829
483023	R.H. HINGE BAGGAGE DOOR	"XL" II	2000 TO DATE		UPPER PANEL 483005 LOWER PANEL 483007
4796A 483778	LOWER PANEL	"XL" II	2000 TO DATE		SATIN BLEND
4796A 483937	LOWER PANEL	"XL" II	2000 TO DATE		BRIGHT ANNEALED
4796B 473865	SIDE WALL	"XL" II	2000 TO DATE		SATIN BLEND
4796B 477579	SIDE WALL	"XL" II	2000 TO DATE		BRIGHT ANNEALED
4796C 473866	SIDE WALL	"XL" II	2000 TO DATE		SATIN BLEND
4796C 477577	SIDE WALL	"XL" II	2000 TO DATE		BRIGHT ANNEALED
4796D 475655	SIDE WALL	"XL" II	2000 TO DATE		SATIN BLEND
4796D 477581	SIDE WALL	"XL" II	2000 TO DATE		BRIGHT ANNEALED

DOTTED AREAS ARE NOT IN PRODUCTION AT TIME OF PRINTING.

DATE: 04-07

REV.: B

PREVOST *Le Mirage XL*



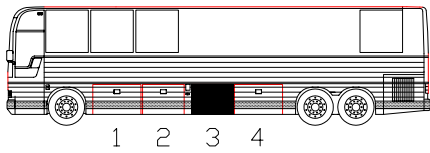
EXTERIOR VIEW

NOTE:
-DOOR WITH HINGE
ON RH SIDE OF
FRAME

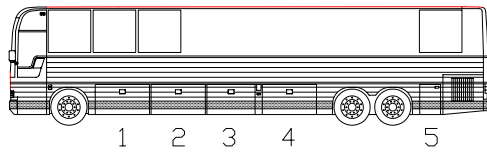
PROTECTOR NOT INCLUDED

TOTAL PERFORATED AREA: 2.58 f ²	EFF : Y-7046		DOOR ASSY ONLY IN SERVICE PART	482678P
	PRIOR:			
DATE: 02-01	WITH INSULATION		OPTION LIST	482678
REV. : A	WITHOUT INSULATION	X		

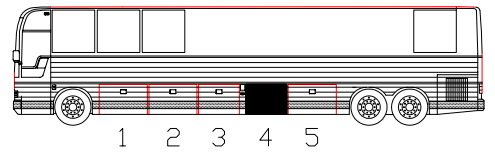
PREVOST *Le Mirage XL*



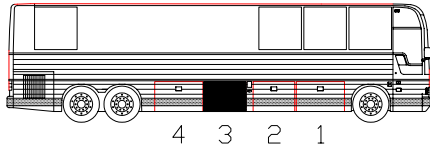
1 2 3 4



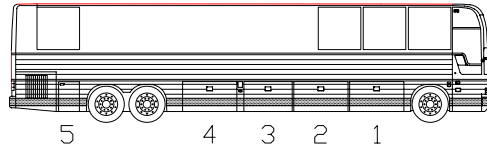
1 2 3 4 5



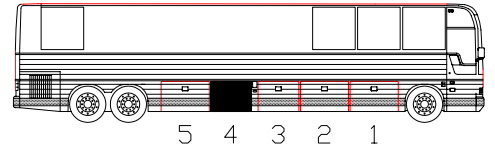
1 2 3 4 5



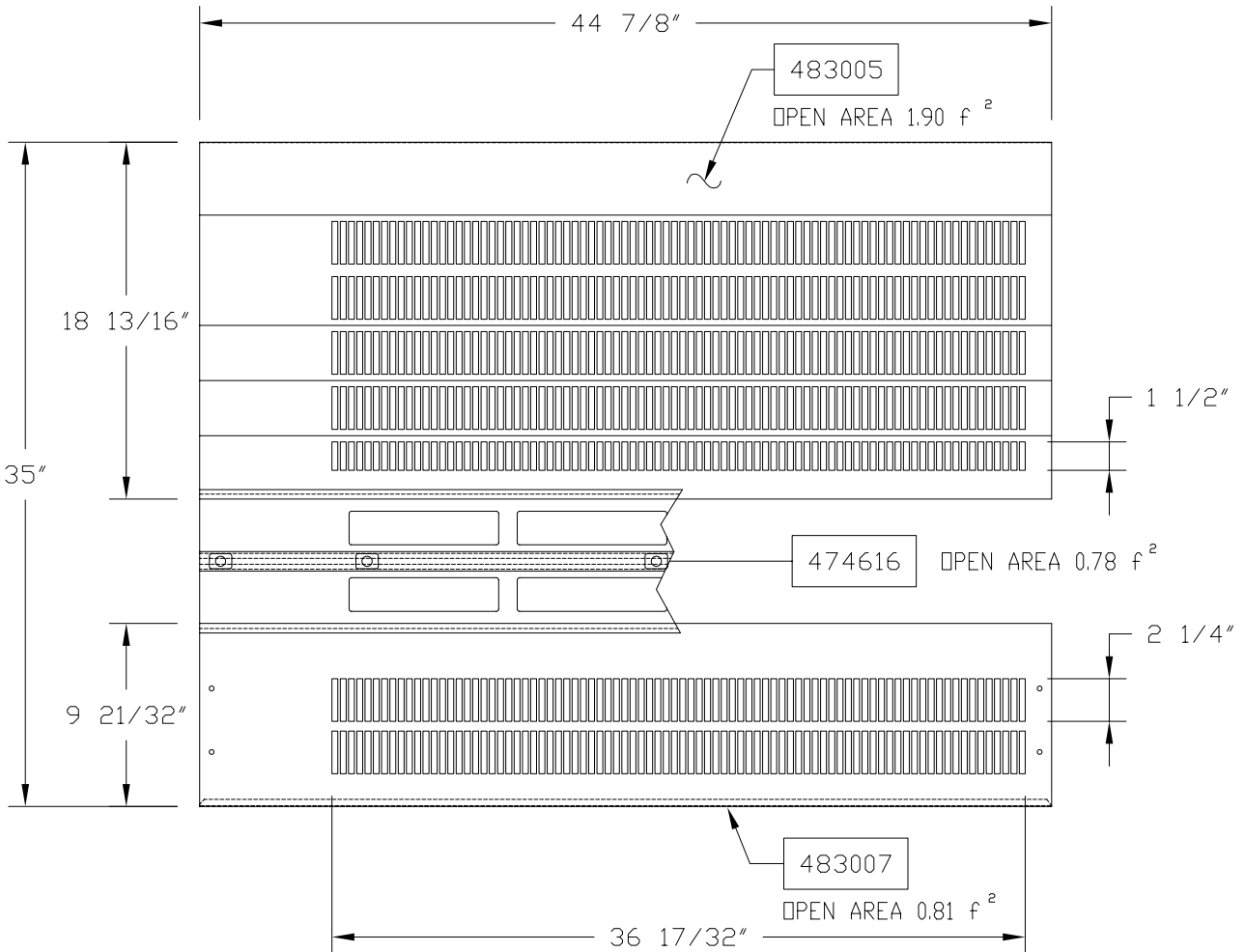
MTH. 40'



MTH. 45'



45' ENT.



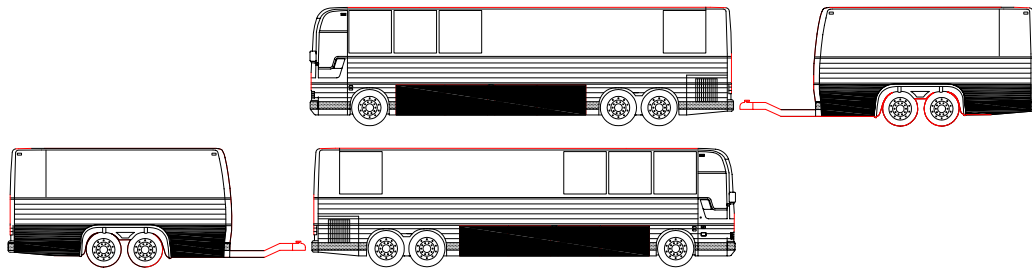
EXTERIOR VIEW

NOTE:
-DOOR WITH HINGE
ON RH SIDE OF
FRAME

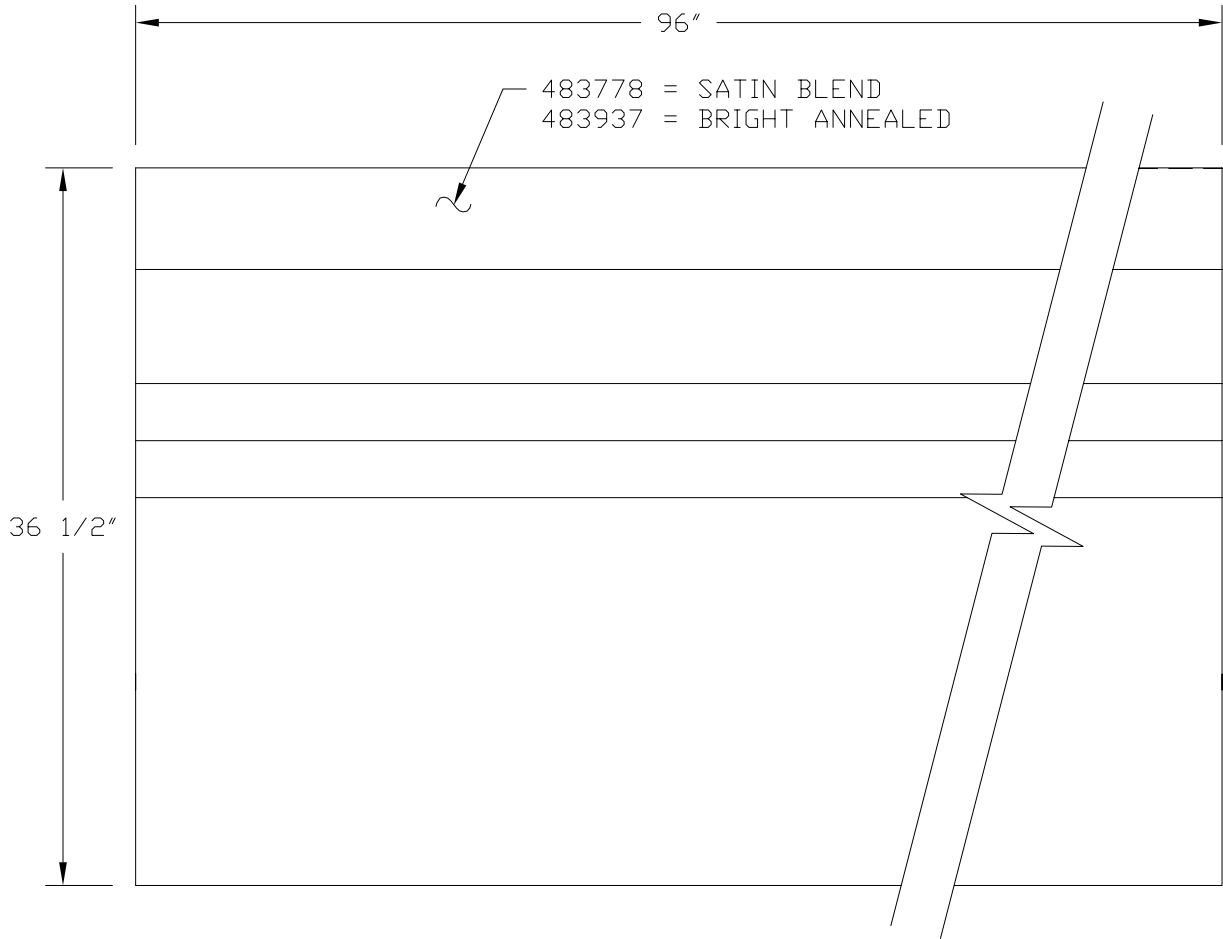
PROTECTOR NOT INCLUDED

TOTAL PERFORATED AREA: 3.49 f ²	EFF : Y-7046		DOOR ASSY ONLY IN SERVICE PART	483023P
	PRIOR:			
DATE: 99-12	WITH INSULATION		OPTION LIST	483023
REV. :	WITHOUT INSULATION	X		

PREVOST. *Le Mirage XL* III



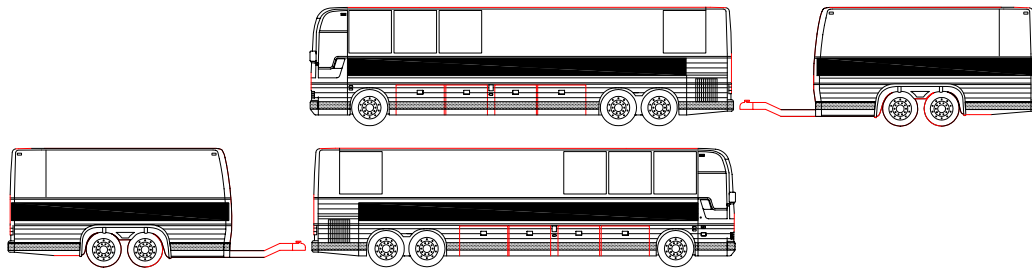
MTH.



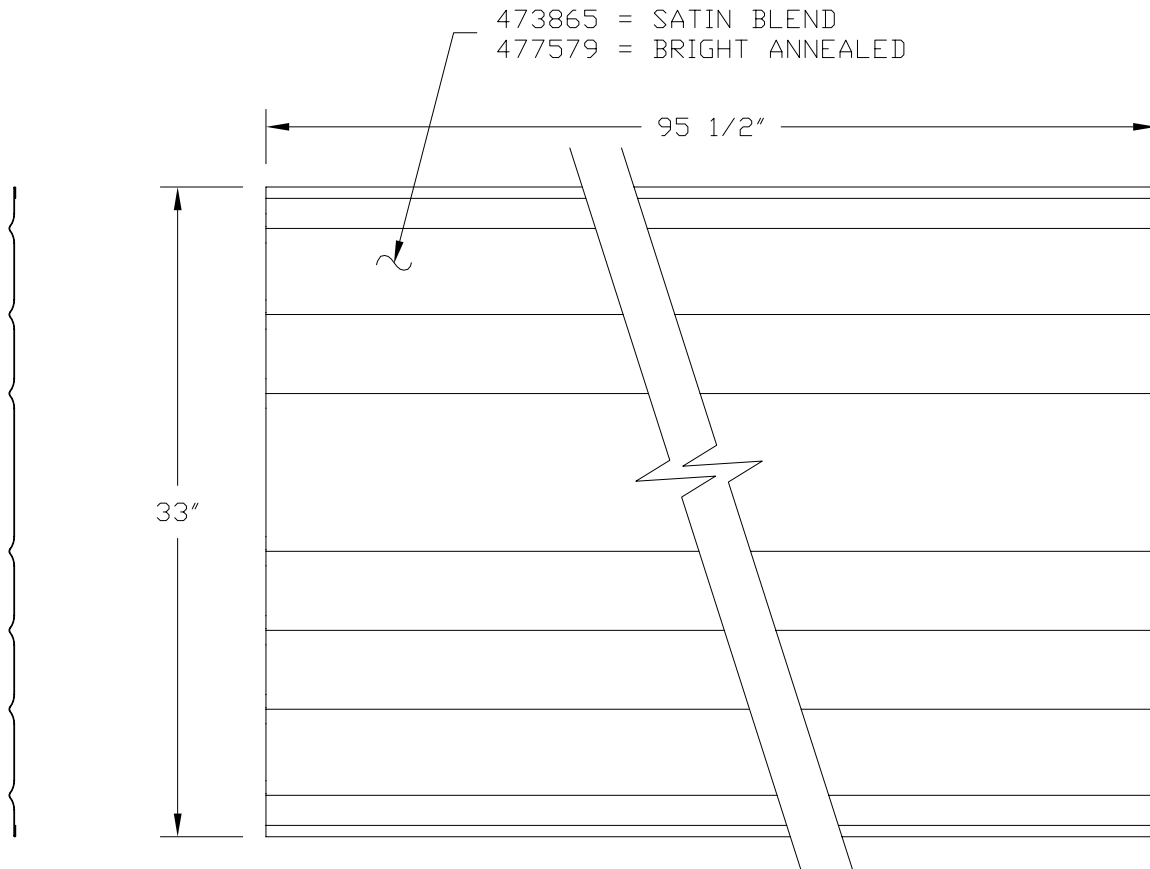
LOWER PANEL MTH

	EFF : Y-7046	PANEL SS ONLY	N.A.
	PRIOR:		
DATE: 04-07		OPTION LIST	4796A
REV.: A			

PREVOST. *Le Mirage XL* III



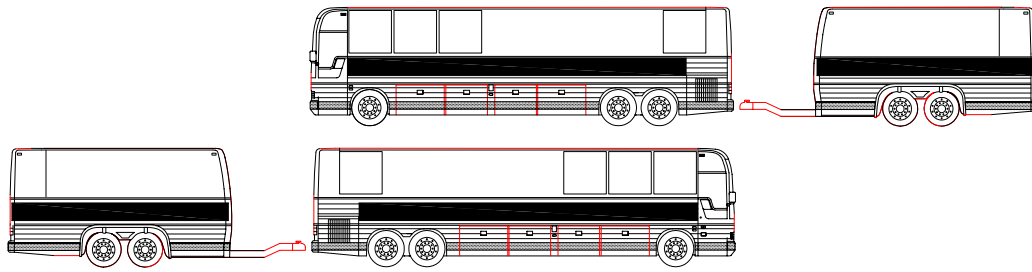
MTH.



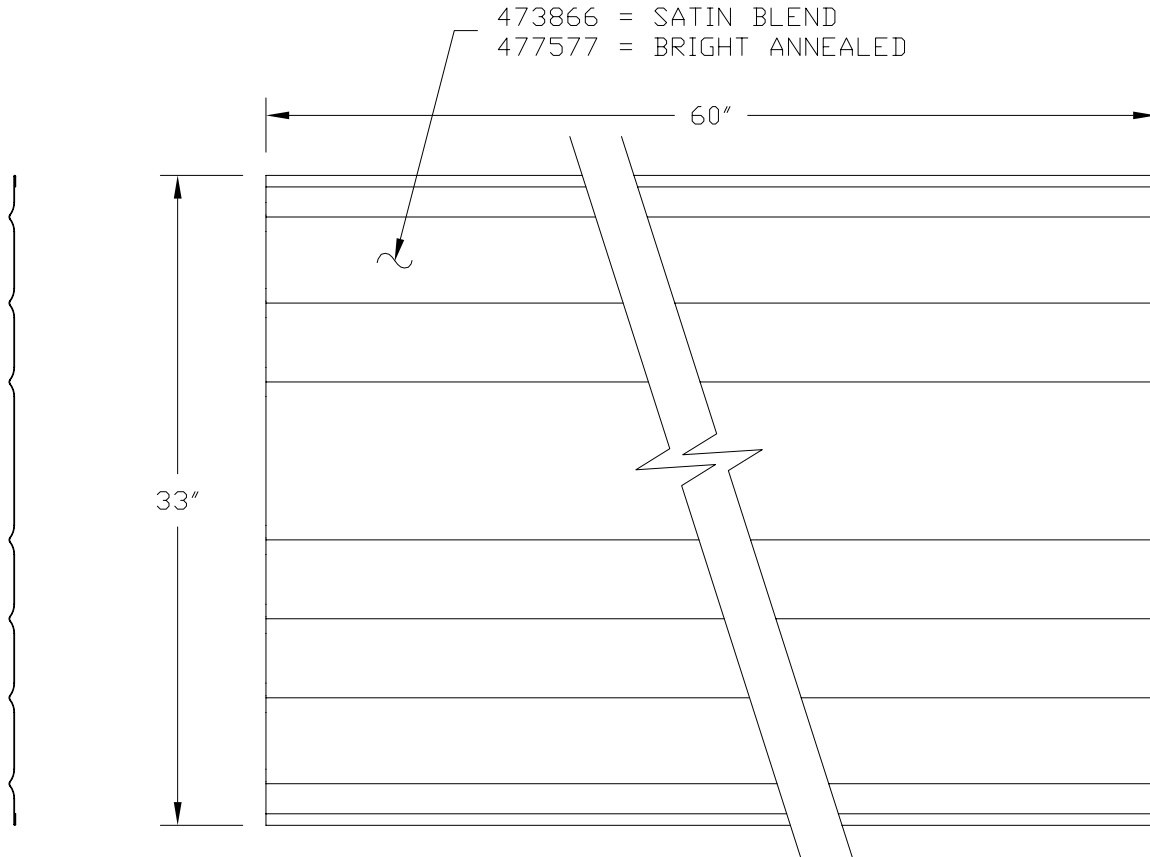
UPPER PANELS MTH

	EFF : Y-7046	PANEL SS ONLY	N.A.
	PRIOR:		
DATE: 04-07		OPTION LIST	4796B
REV. :			

PREVOST. *Le Mirage XL* III



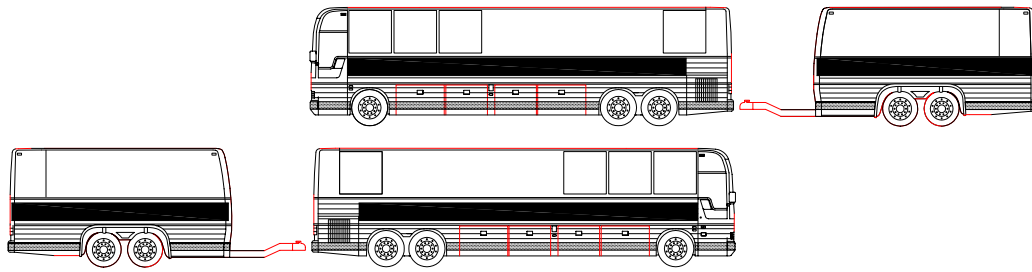
MTH.



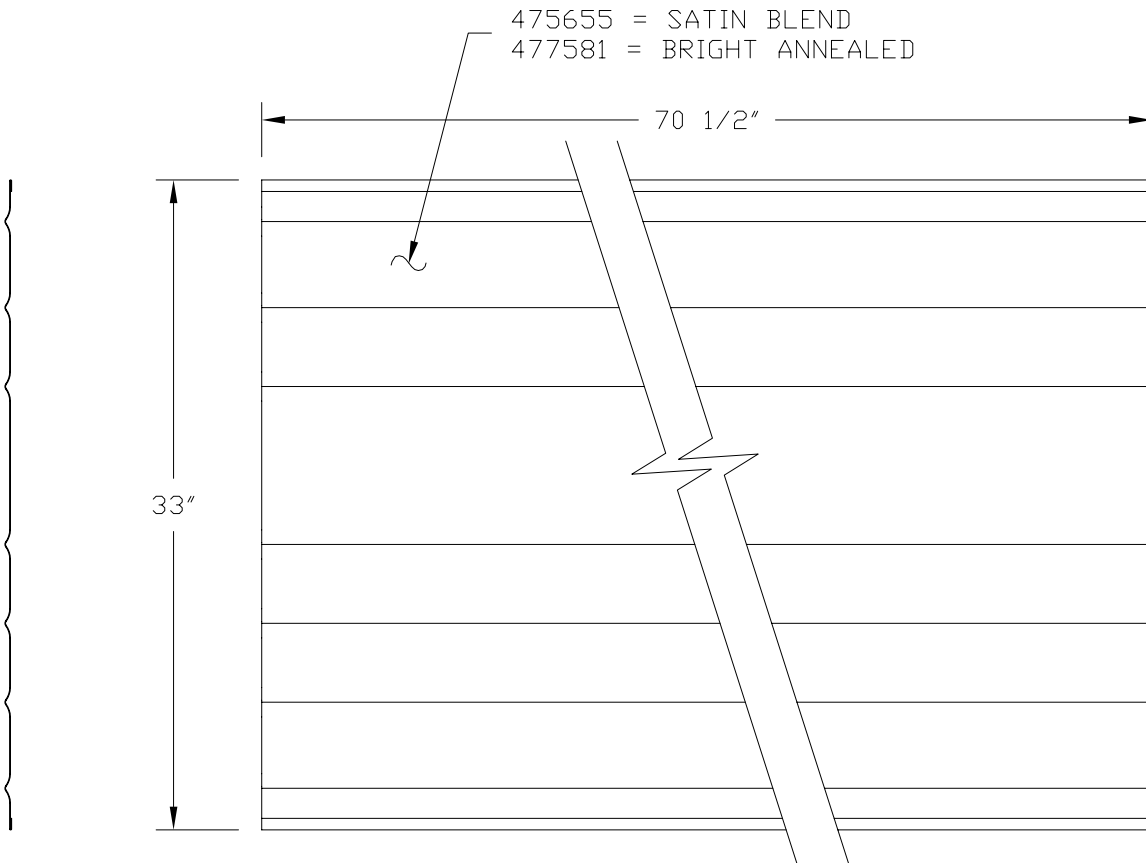
UPPER PANELS MTH

	EFF : Y-7046	PANEL SS ONLY	N.A.
	PRIOR:		
DATE: 04-07		OPTION LIST	4796C
REV. :			

PREVOST. *Le Mirage XL* III



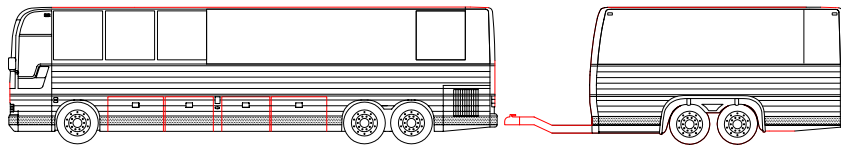
MTH.



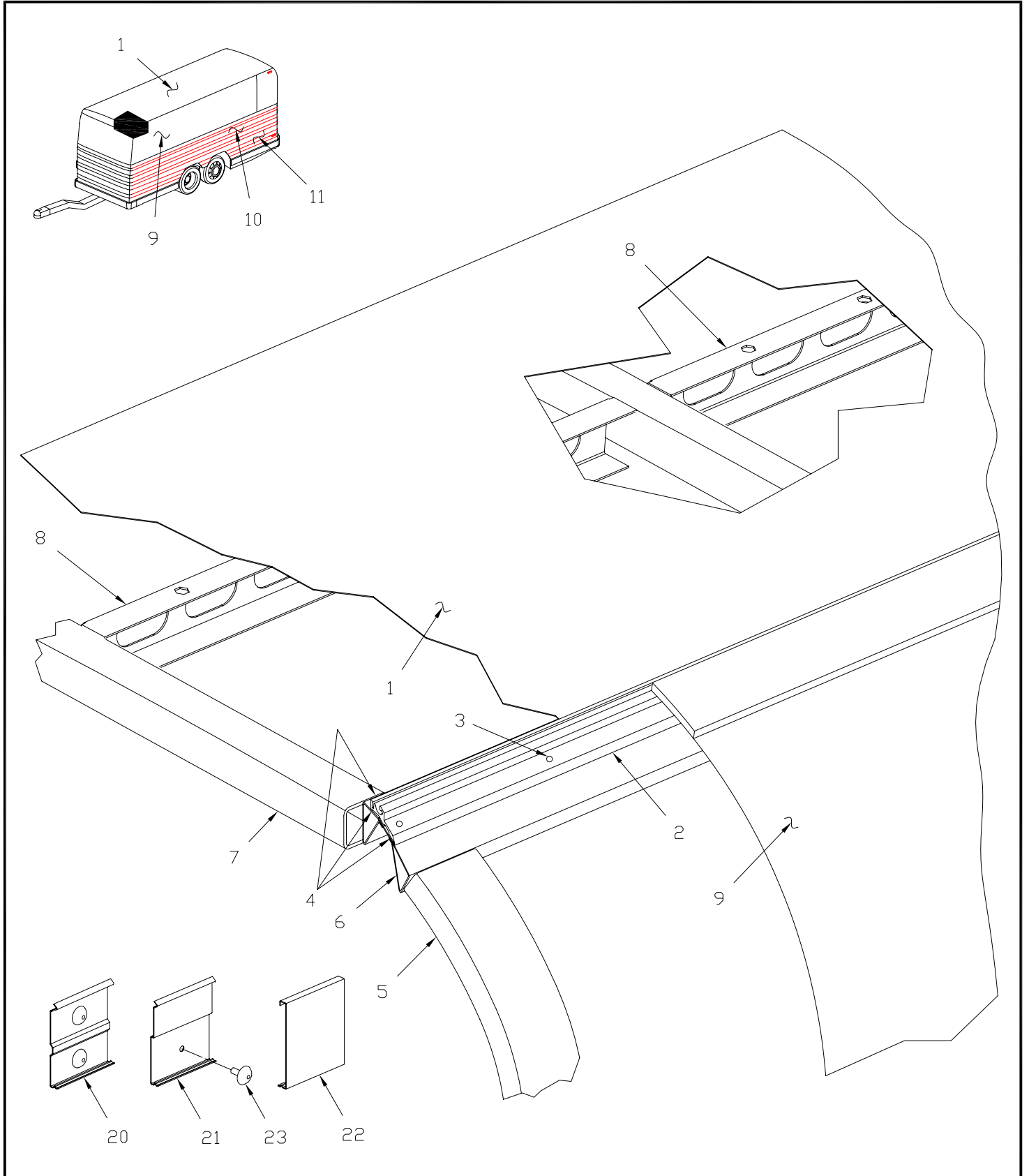
UPPER PANELS MTH

	EFF : Y-7046	PANEL SS ONLY	N.A.
	PRIOR:		
DATE: 04-07		OPTION LIST	4796D
REV. :			

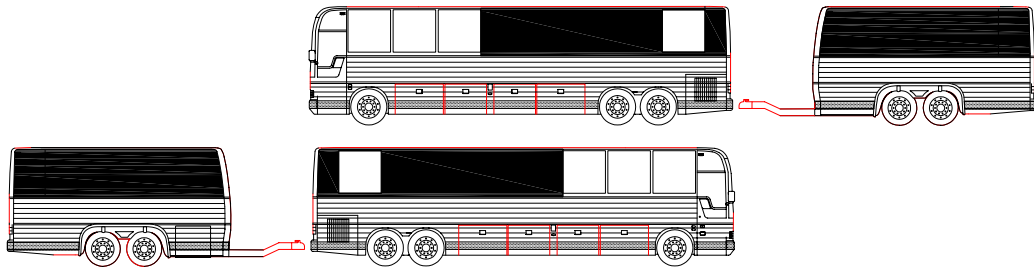
PREVOST *Le Mirage XL*



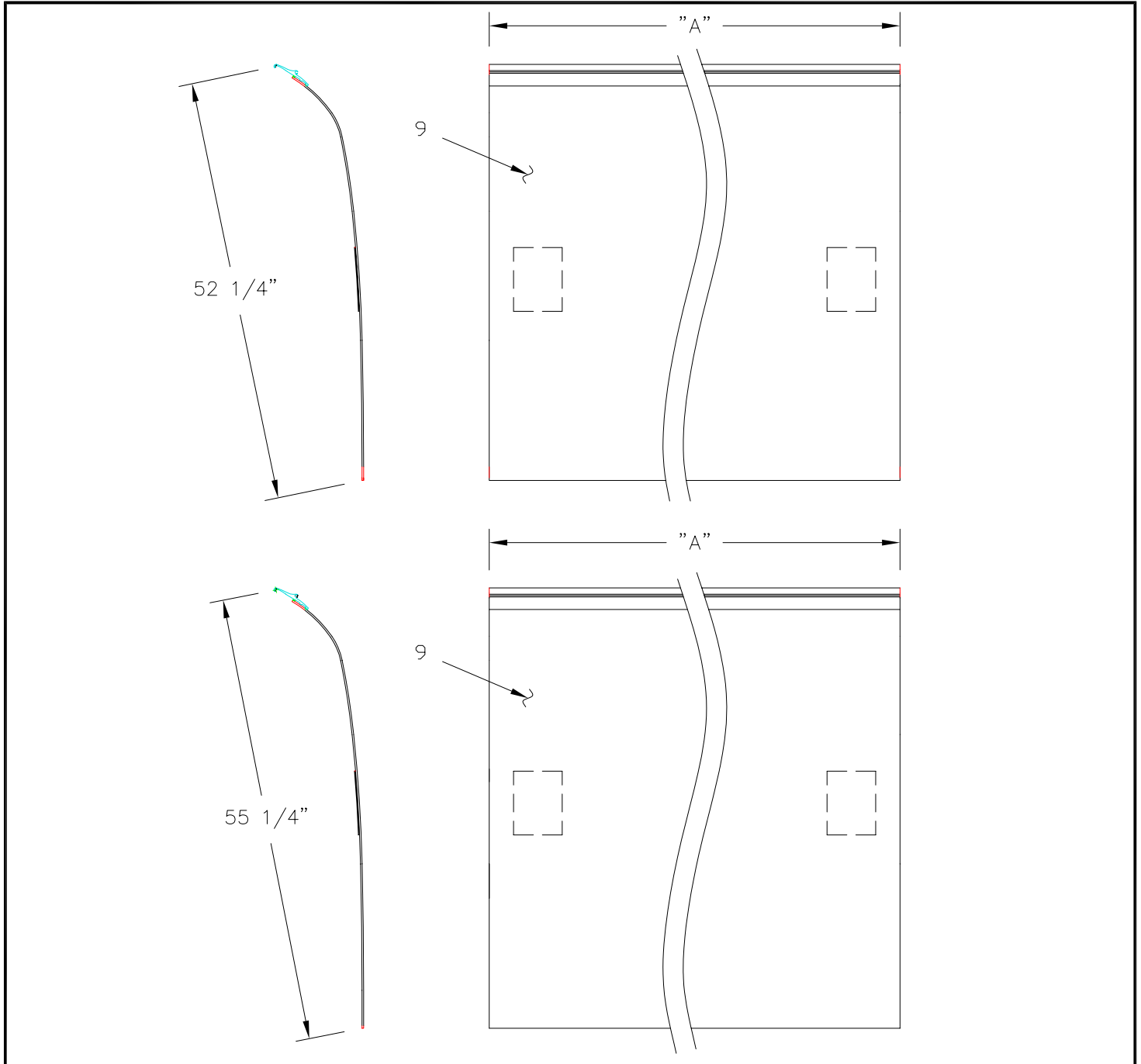
MTH.



PREVOST® *Le Mirage XL* III

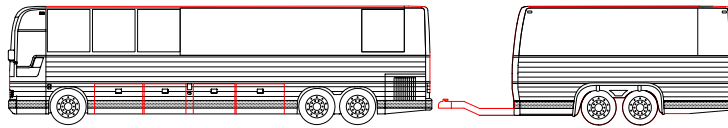


MTH.



	EFF : Y-7046	SERVICE PART ONLY	83"-86"
	PRIOR:		
DATE: 03-07		OPTION LIST	83 - 86
REV. :			

PREVOST® *Le Mirage XL*

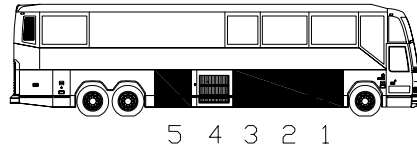
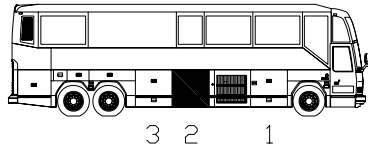
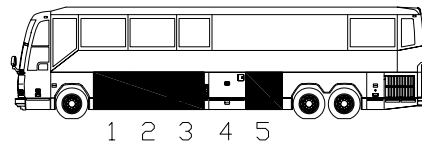
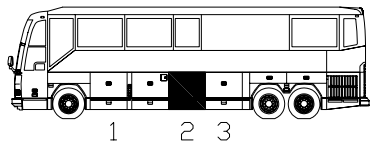


TRAILER 83-86

ITEM	PART	DESCRIPTION	QTY
1	970274	ALUMINUM SHEET 3003 WHITE 18GA X 82 1/4"	AR
2	293181	EXTRUSION, ALUMINUM 5870MM (231.1")	AR
2	293182	EXTRUSION, ALUMINUM 5220MM (205.5")	AR
3	504546	RIVET CHY MONOLOK PRDG CJ1/4x5/8	AR
4	680532	SIKAFLEX 221 / LIGHT GREY / 305ML 25 050 022	AR
5	271265	POST MTH 89"	AR
5	271263	POST MTH 86"	AR
6	271167	ROOF R.H. CORNER ASSY	AR
6	271168	ROOF L.H. CORNER ASSY	AR
6	271169	ROOF R.H. CORNER ASSY	AR
6	271170	ROOF L.H. CORNER ASSY	AR
7	271635	ARCH / ROOF 1932.7MM (76")	AR
8	271612	FORM / BETWEEN ARCH 619.6MM (24.39")	AR
8	271613	FORM / BETWEEN ARCH 600.3MM (23.63")	AR
8	271614	FORM / BETWEEN ARCH 437.3MM (17.21")	AR
8	271615	FORM / BETWEEN ARCH 802.0MM (31.57")	AR
8	271616	FORM / BETWEEN ARCH 619.6MM (24.39")	AR
9	Y2-1854-50	SIDE PANELS - MTH	***
10	473866	UPPER PANEL 840MM X 1521MM / W/OUT REINFORCEMENT / S.B.	AR
10	473865	UPPER PANEL 840MM X 2428MM / W/OUT REINFORCEMENT / S.B.	AR
10	475655	UPPER PANEL 840MM X 1789MM / W/OUT REINFORCEMENT / S.B.	AR
11	483778	LOWER PANEL / S.B.	AR
20	473695	MOULDING RETAINER 6225MM	AR
21	473659	MOULDING RETAINER 6400MM	AR
22	473658	FINISHING MOULDING SS / 6400MM	AR

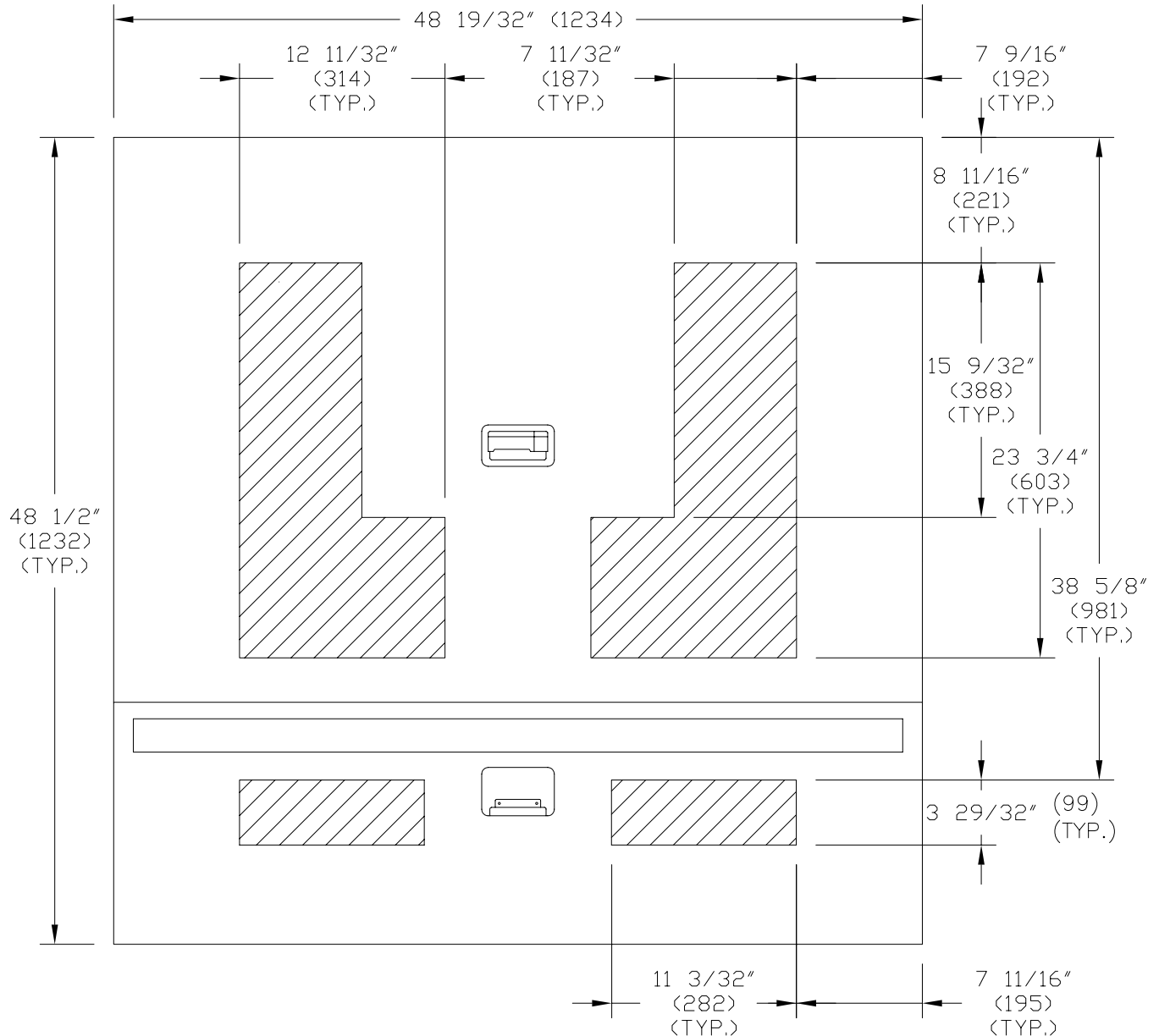
*** : TO HAVE COMPLETE PARTS NUMBER, SEE ITEM #1
ON PAGE Y2-1854-50 OF THE PARTS MANUAL

PREVOST® H SERIES



V.I.P. 40'

V.I.P. 45'

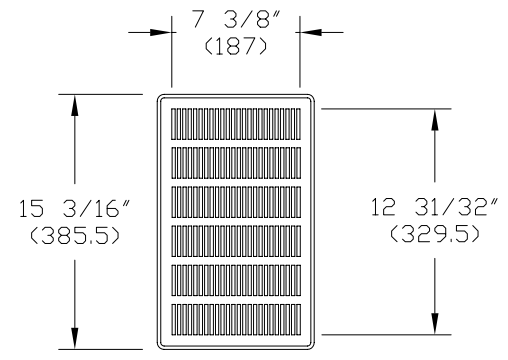
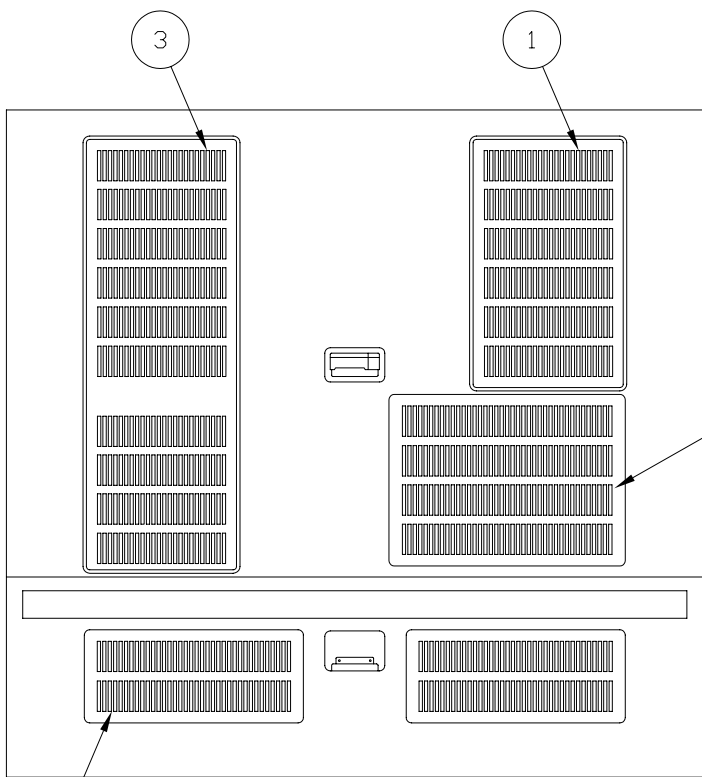


LITTLE LUGGAGE DOOR

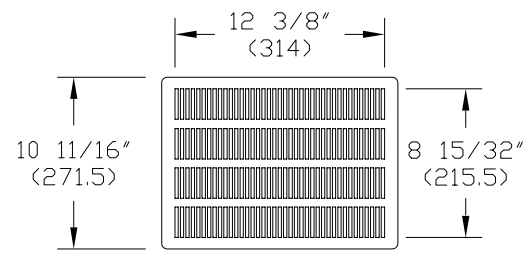


POSSIBLE PERFORATED AREA-(MAXIMUM DIMENSIONS)

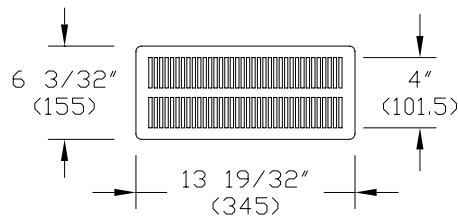
TOTAL PERFORATED AREA: 3.62 f ²	EFF : L-029	DOOR ASSY ONLY IN SERVICE PART	N.A.
	PRIOR: V-1857		
DATE: 98-03	WITH INSULATION	OPTION LIST	LITTLE
REV. :	WITHOUT INSULATION		



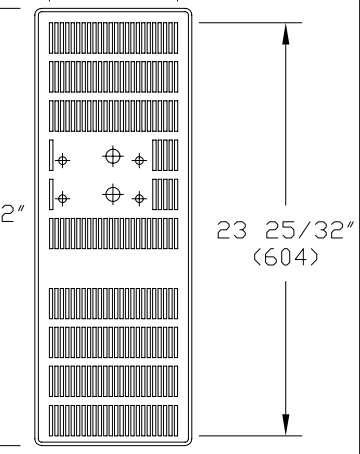
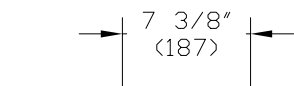
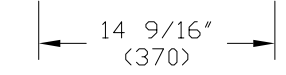
1 #283810
OPEN AREA 0.33 f²



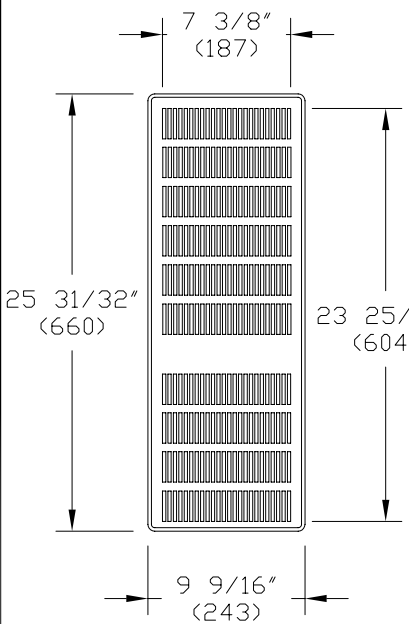
2 #283807
OPEN AREA 0.36 f²



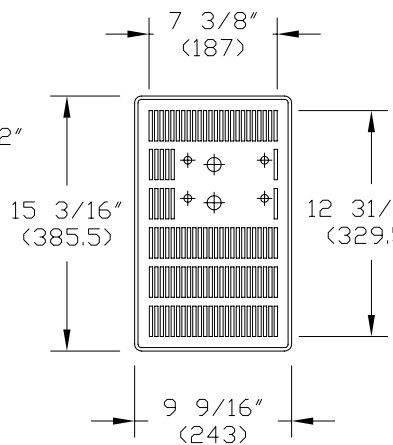
4 #283543
OPEN AREA 0.16 f²



3 #283818
OPEN AREA 0.46 f²



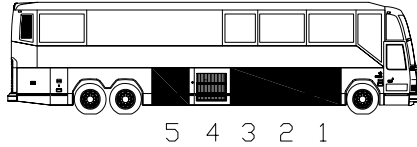
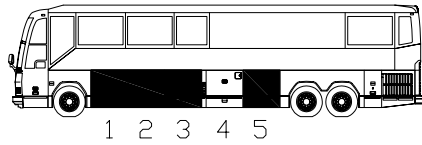
3 #283811
OPEN AREA 0.55 f²



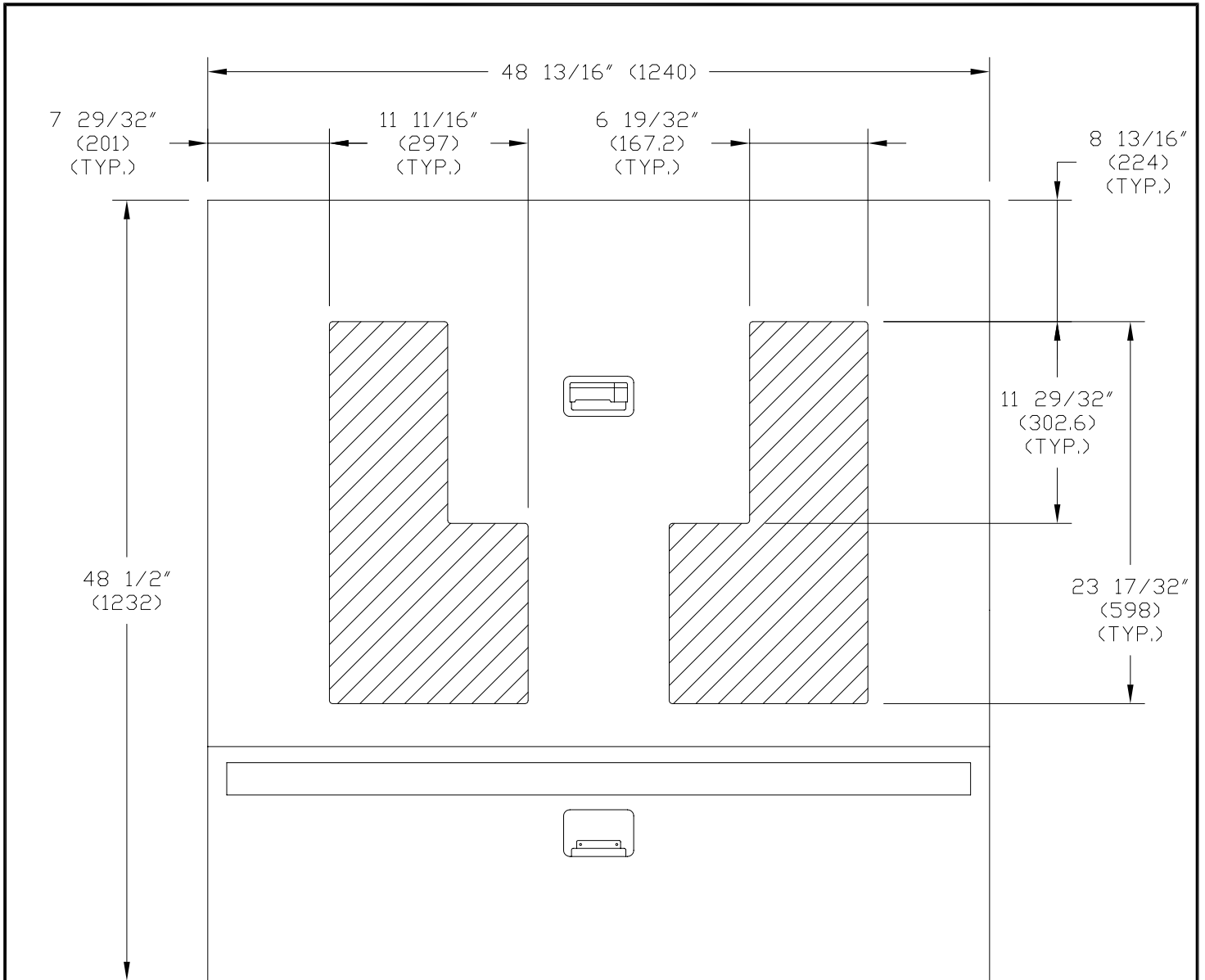
1 #283819
OPEN AREA 0.25 f²

LITTLE LUGGAGE DOOR GRILLE DETAIL

PREVOST® H SERIES



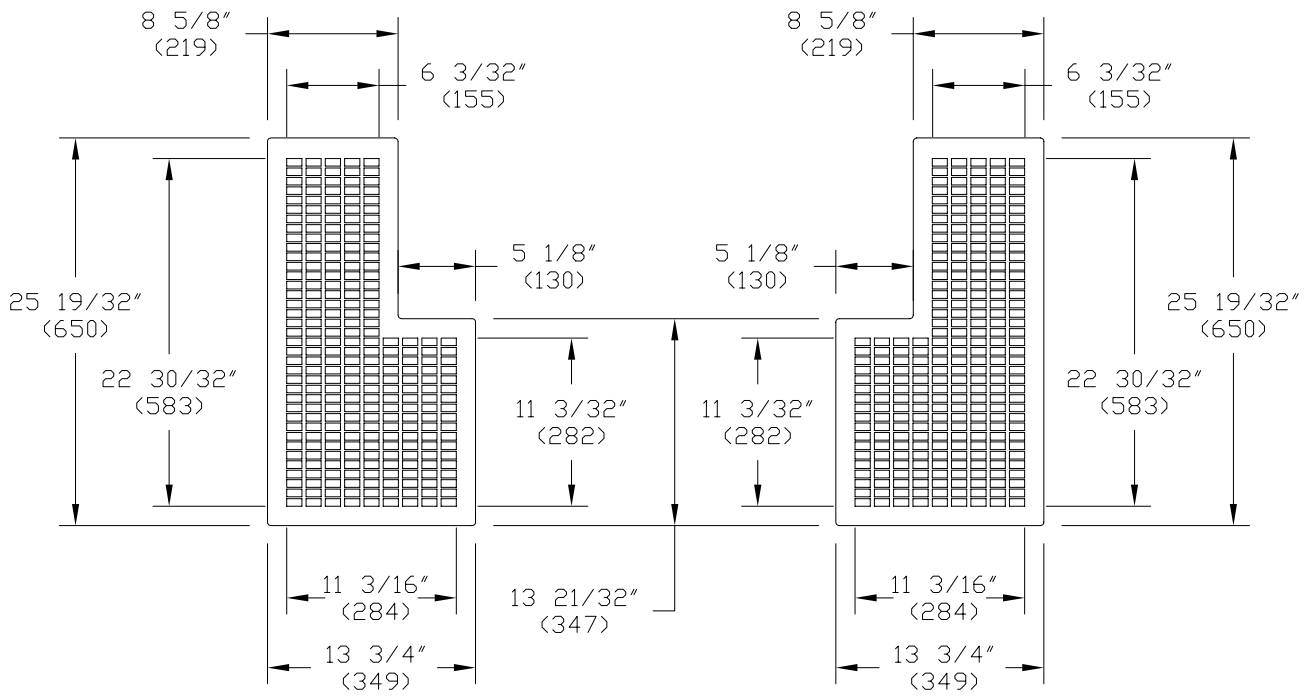
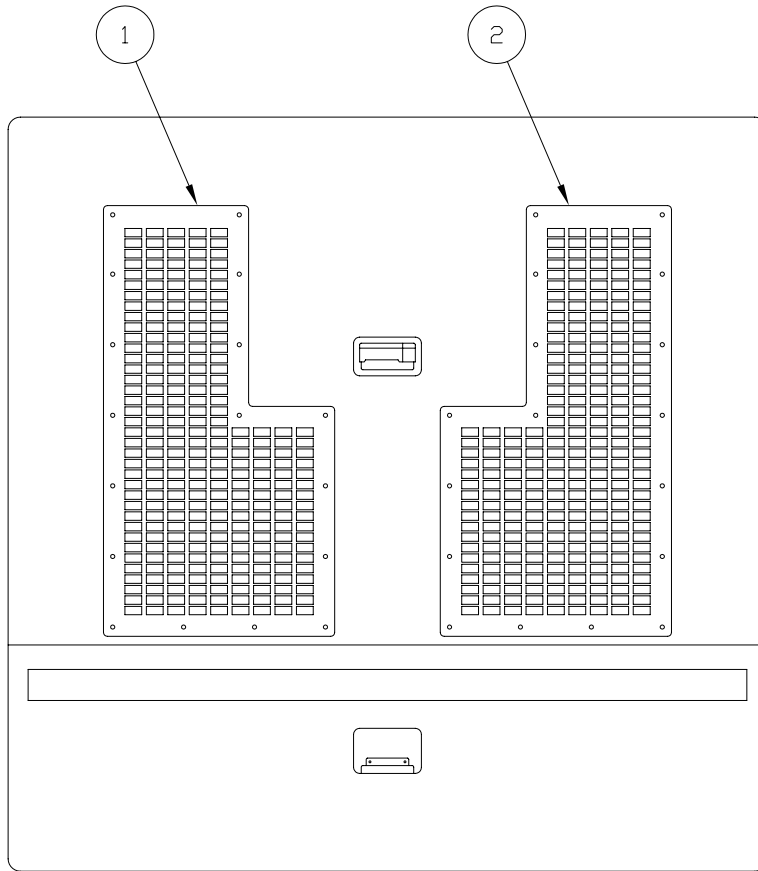
V.I.P. 45'



LITTLE LUGGAGE DOOR

 POSSIBLE PERFORATED AREA-(MAXIMUM DIMENSIONS)

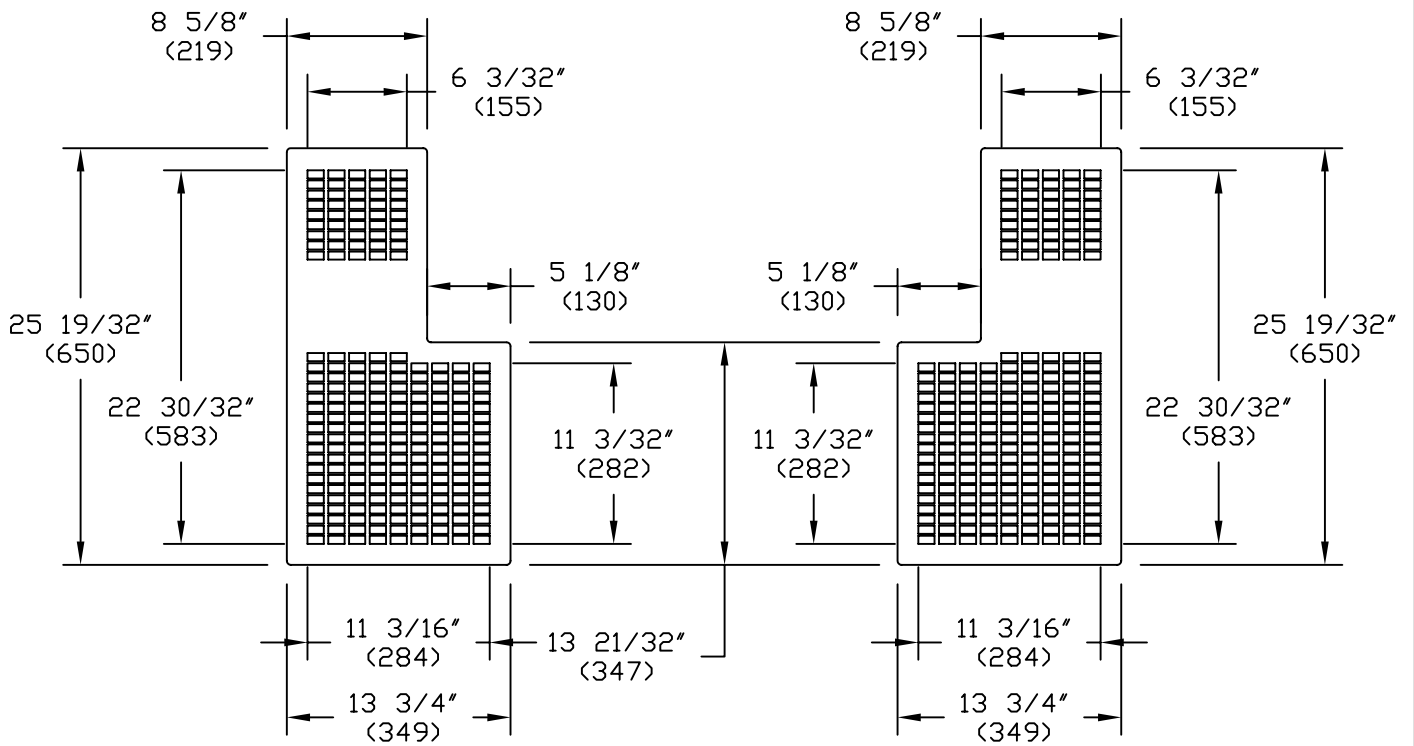
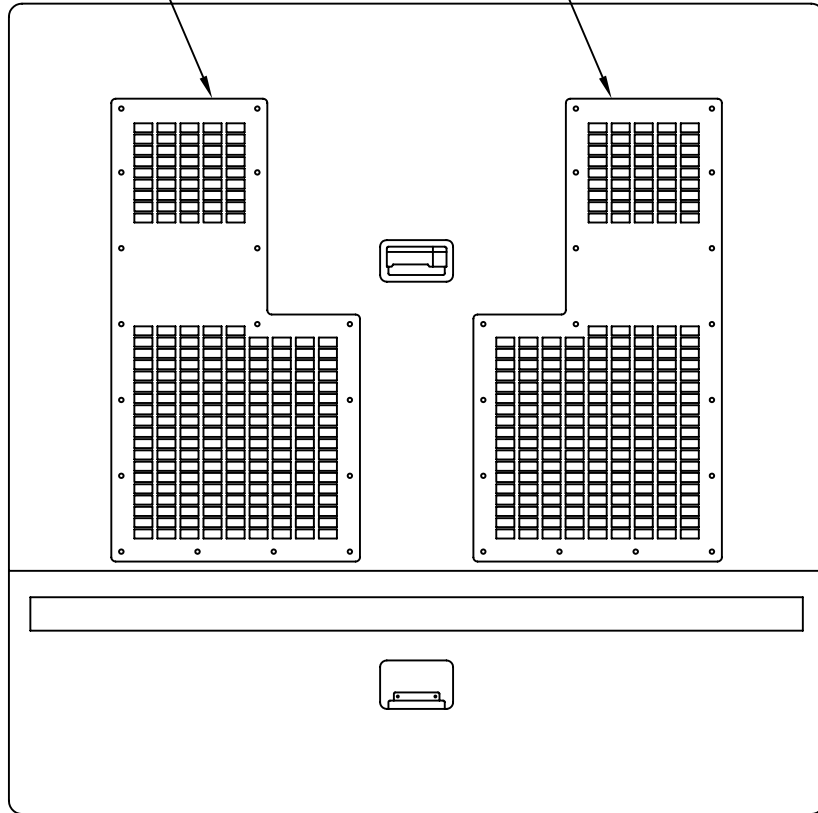
TOTAL PERFORATED AREA: 2.98 f ²	EFF : V-1857		DOOR ASSY ONLY IN SERVICE PART	N.A.
	PRIOR:			
DATE: 98-03	WITH INSULATION		OPTION LIST	LITTLE
REV. :	WITHOUT INSULATION			



① #286027
OPEN AREA 0.89 f²

② #286028
OPEN AREA 0.89 f²

LITTLE LUGGAGE DOOR GRILLE DETAIL

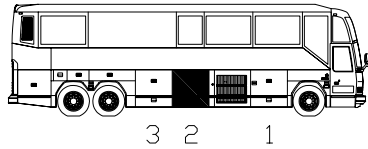
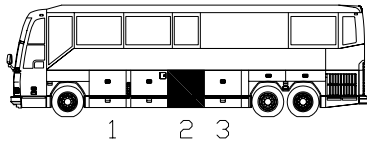


① #287635
 OPEN AREA 0.73 f²

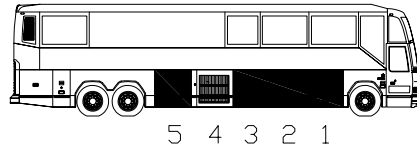
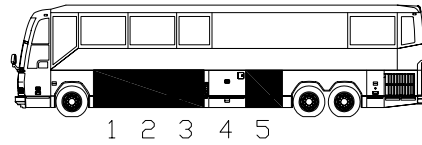
② #287625
 OPEN AREA 0.73 f²

LITTLE LUGGAGE DOOR GRILLE DETAIL

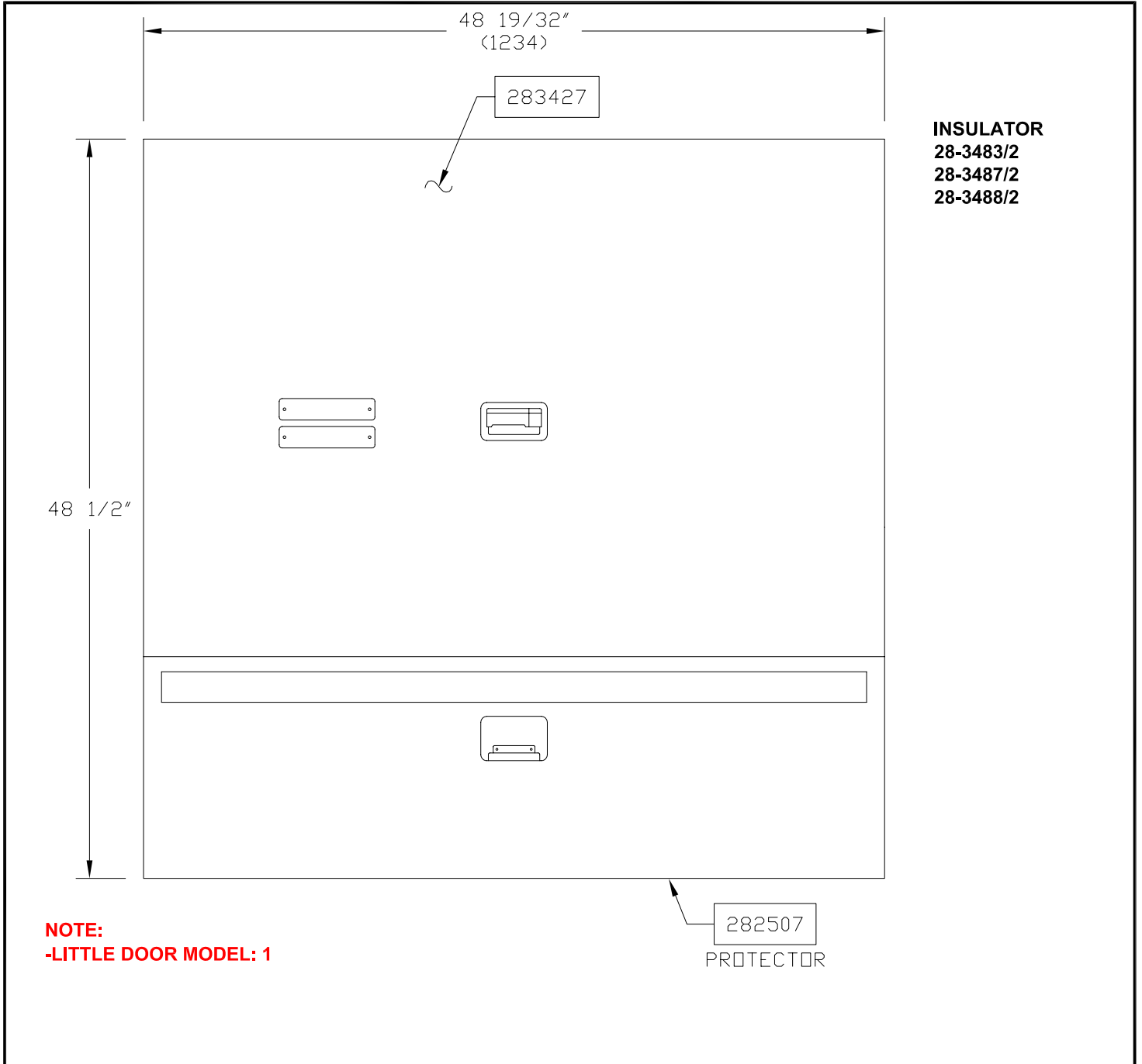
PREVOST® H SERIES



V.I.P. 40'

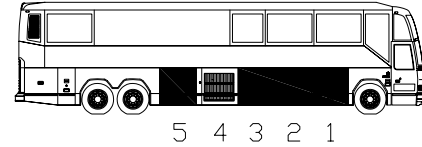
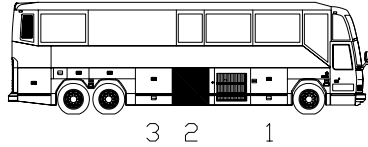
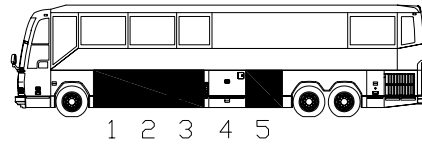
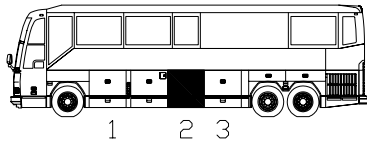


V.I.P. 45'



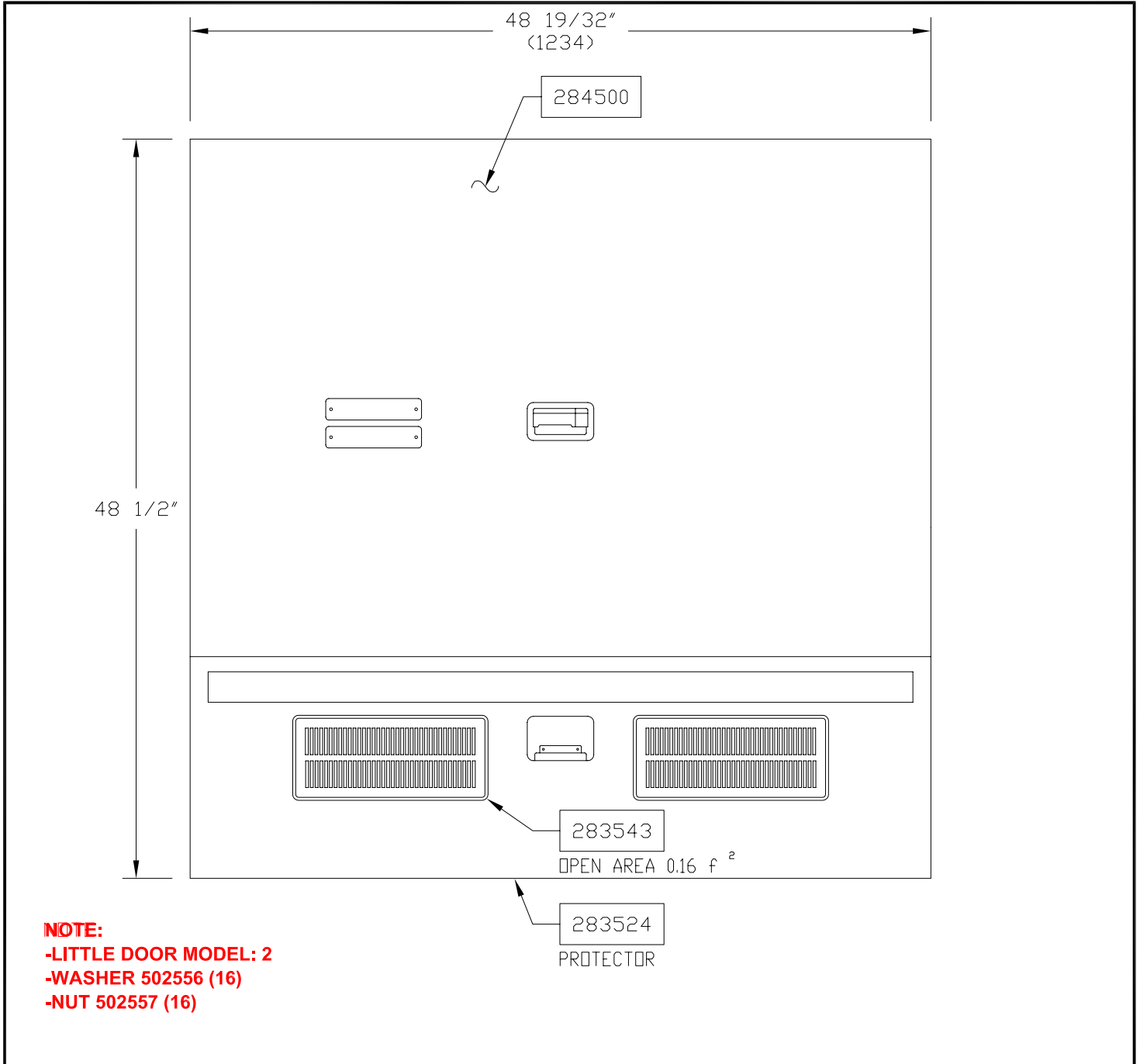
TOTAL PERFORATED AREA: 0000 f ²	EFF : L-029	DOOR ASSY ONLY IN SERVICE PART	N.A.
	PRIOR: V-1857		
DATE: 98-03	WITH INSULATION	OPTION LIST	283547
REV. :	WITHOUT INSULATION		

PREVOST® H SERIES



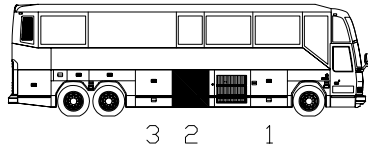
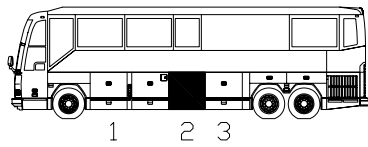
V.I.P. 40'

V.I.P. 45'

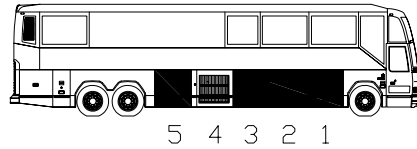
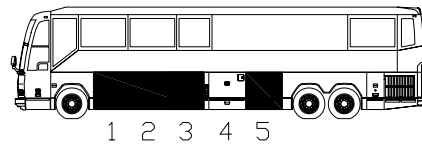


TOTAL PERFORATED AREA: 0.32 f ²	EFF : L-029	DOOR ASSY ONLY IN SERVICE PART	N.A.
	PRIOR: V-1857		
DATE: 98-03	WITH INSULATION	OPTION LIST	283549
REV. :	WITHOUT INSULATION		

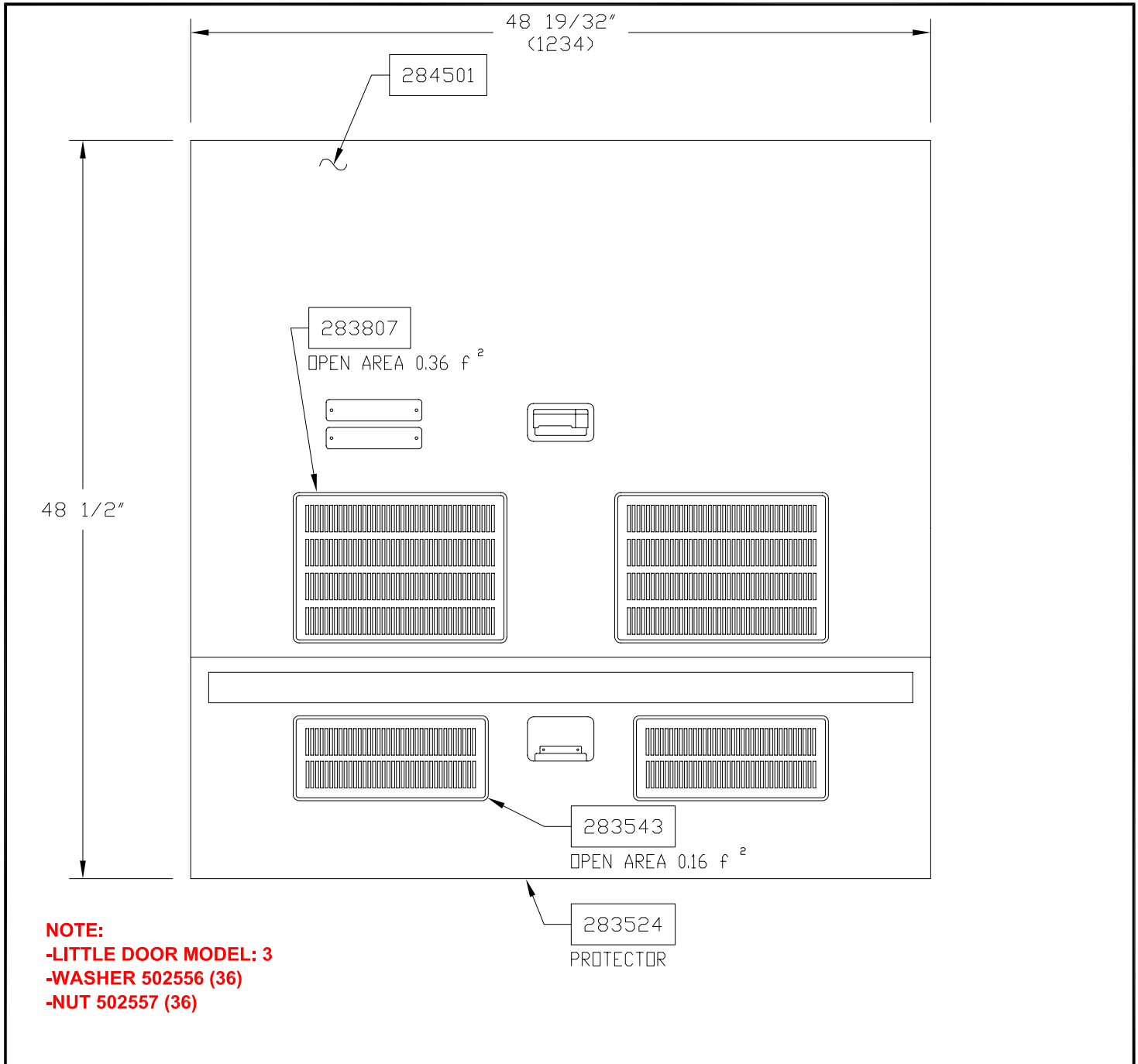
PREVOST® H SERIES



V.I.P. 40'



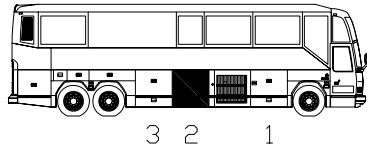
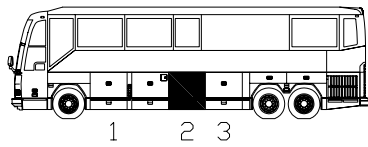
V.I.P. 45'



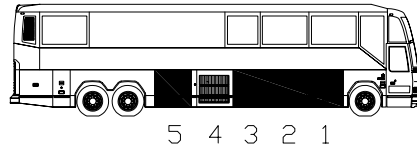
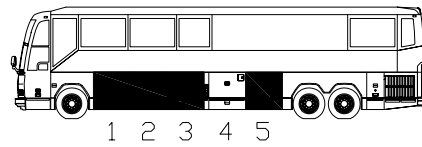
NOTE:
 -LITTLE DOOR MODEL: 3
 -WASHER 502556 (36)
 -NUT 502557 (36)

TOTAL PERFORATED AREA: 1.04 f ²	EFF : L-029	DOOR ASSY ONLY IN SERVICE PART	N.A.
	PRIOR: V-1857		
DATE: 98-03	WITH INSULATION	OPTION LIST	283632
REV. :	WITHOUT INSULATION		

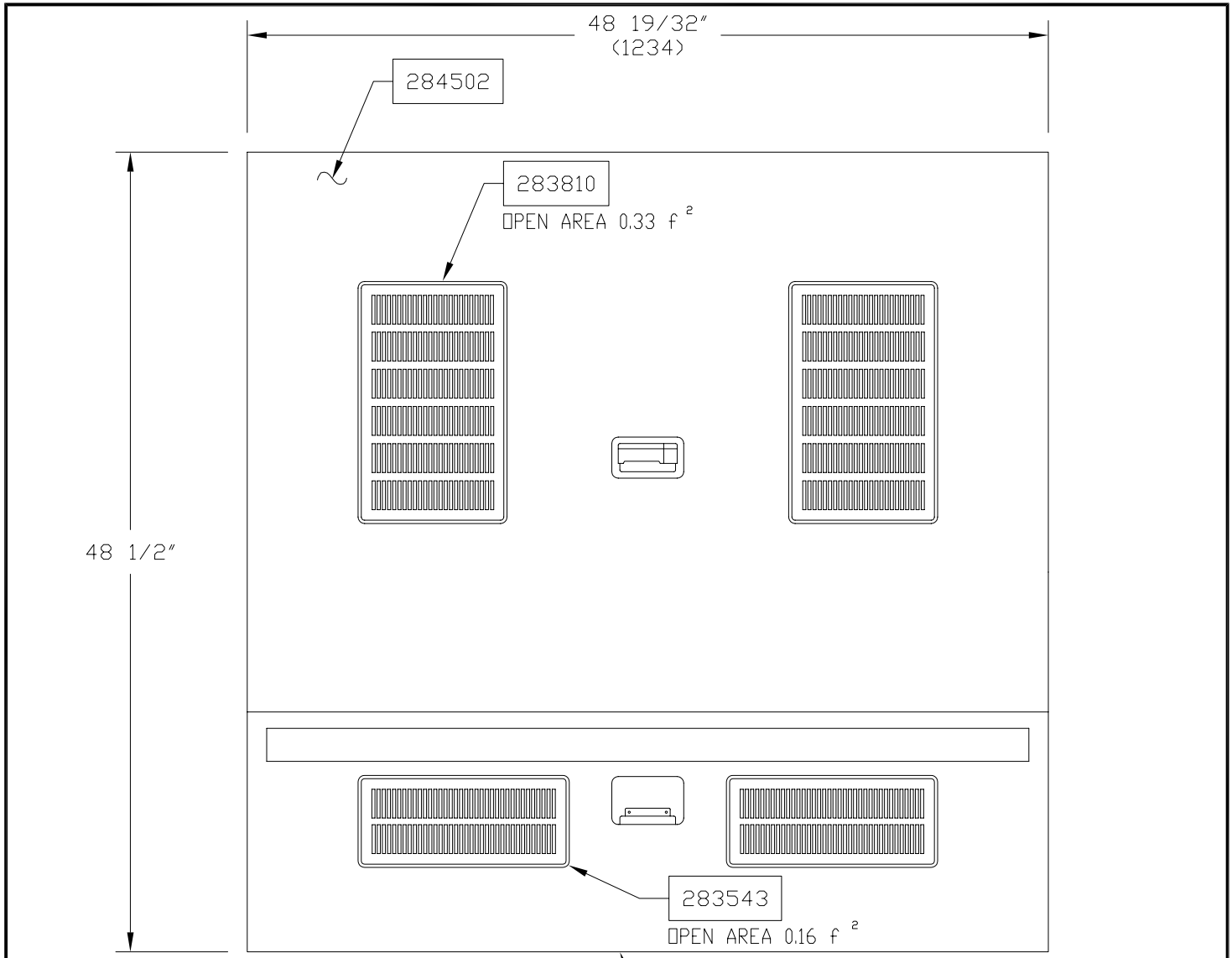
PREVOST® H SERIES



V.I.P. 40'



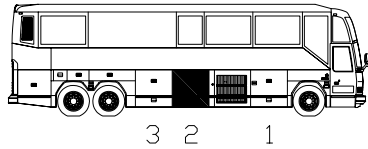
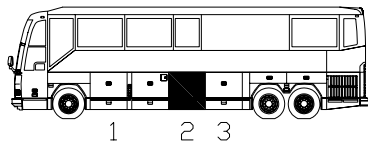
V.I.P. 45'



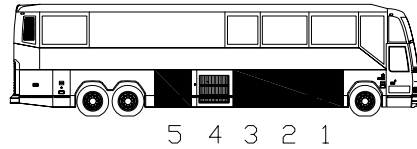
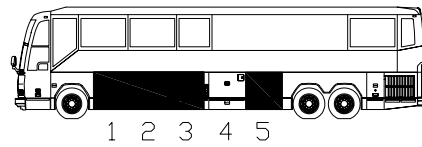
NOTE:
 -LITTLE DOOR MODEL:
 -WASHER 502556 (36)
 -NUT 502557 (36)

TOTAL PERFORATED AREA: 0.98 f ²	EFF : L-029	DOOR ASSY ONLY IN SERVICE PART	N.A.
	PRIOR: V-1857		
DATE: 98-03	WITH INSULATION	OPTION LIST	283634
REV. :	WITHOUT INSULATION		

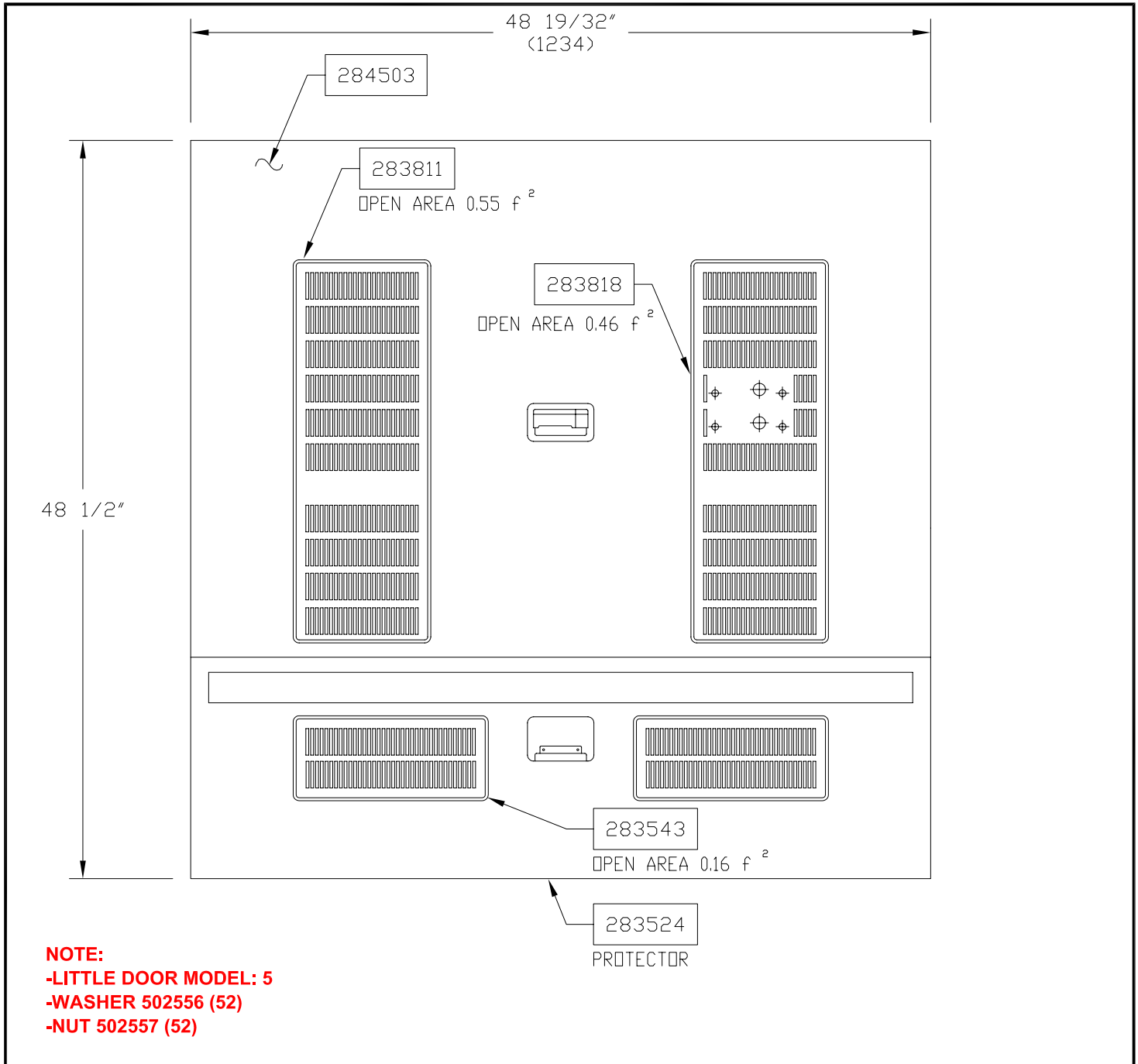
PREVOST® H SERIES



V.I.P. 40'



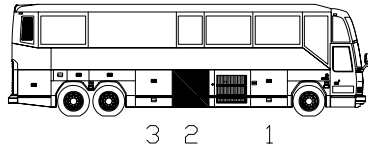
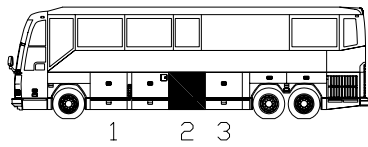
V.I.P. 45'



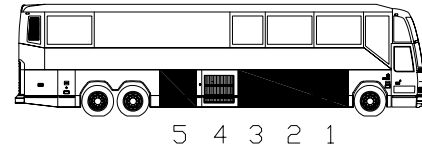
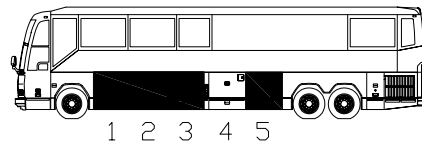
NOTE:
 -LITTLE DOOR MODEL: 5
 -WASHER 502556 (52)
 -NUT 502557 (52)

TOTAL PERFORATED AREA: 1.33 f ²	EFF : L-029	DOOR ASSY ONLY IN SERVICE PART	N.A.
	PRIOR: V-1857		
DATE: 98-03	WITH INSULATION	OPTION LIST	283636
REV. :	WITHOUT INSULATION		

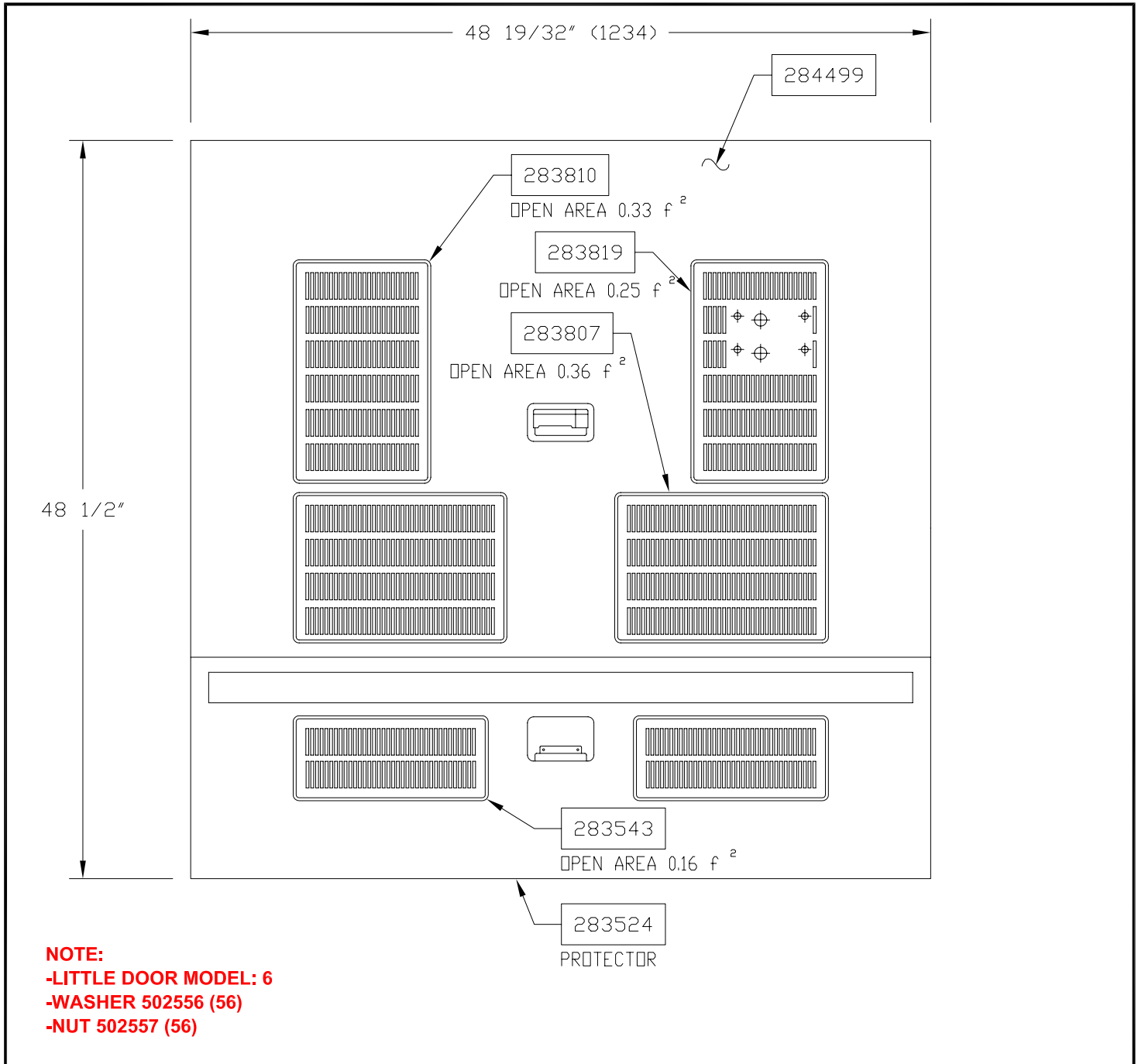
PREVOST® H SERIES



V.I.P. 40'



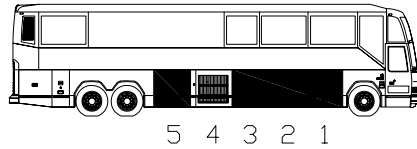
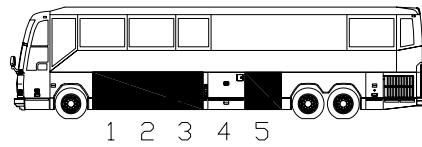
V.I.P. 45'



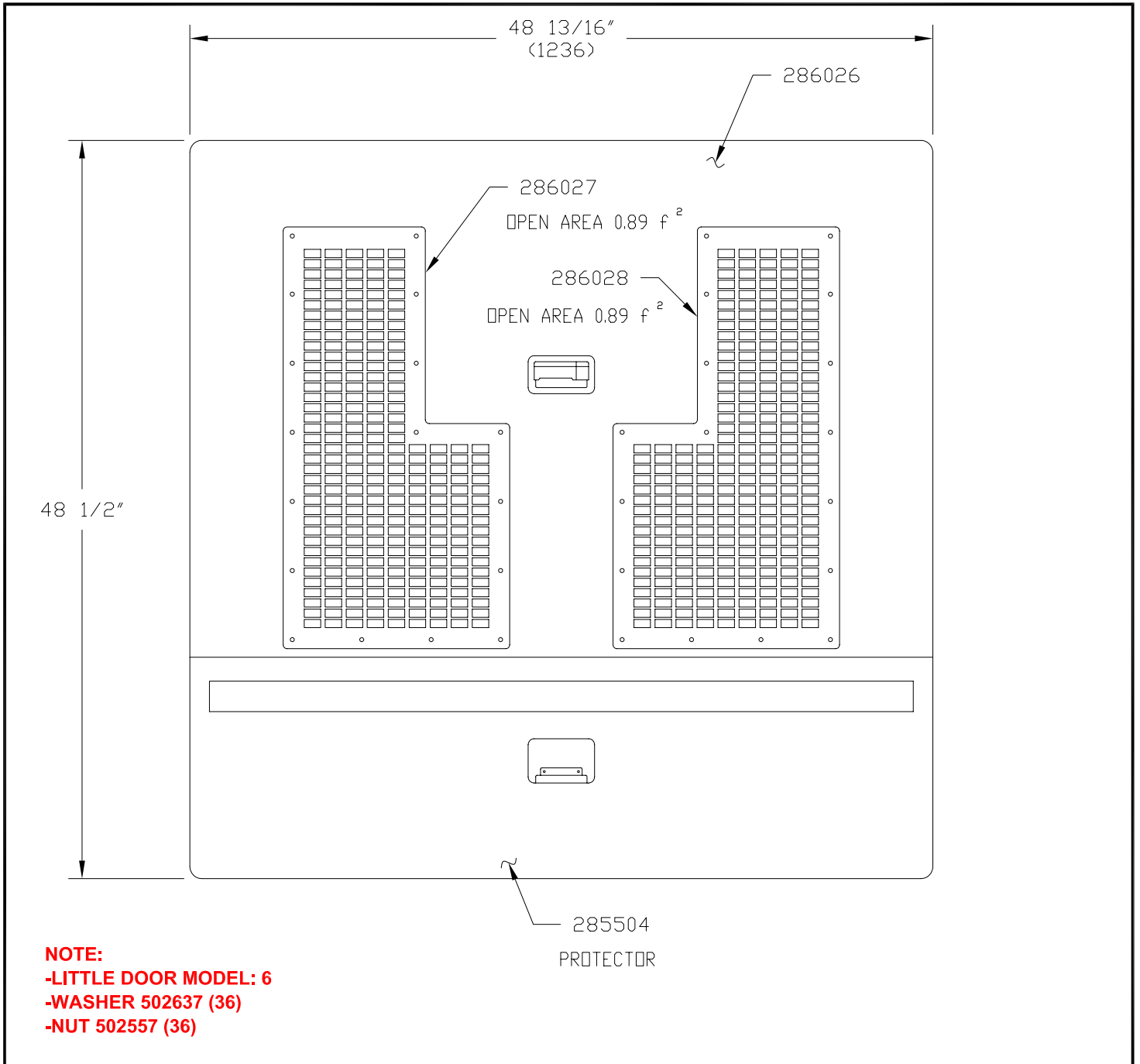
NOTE:
 -LITTLE DOOR MODEL: 6
 -WASHER 502556 (56)
 -NUT 502557 (56)

TOTAL PERFORATED AREA: 1.62 f ²	EFF : L-029	DOOR ASSY ONLY IN SERVICE PART	N.A.
	PRIOR: V-1857		
DATE: 98-03	WITH INSULATION	OPTION LIST	283799
REV. :	WITHOUT INSULATION		

PREVOST® H SERIES



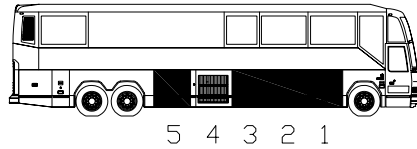
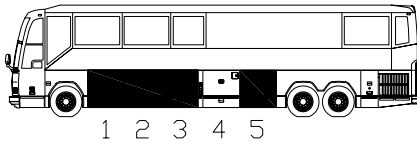
V.I.P. 45'



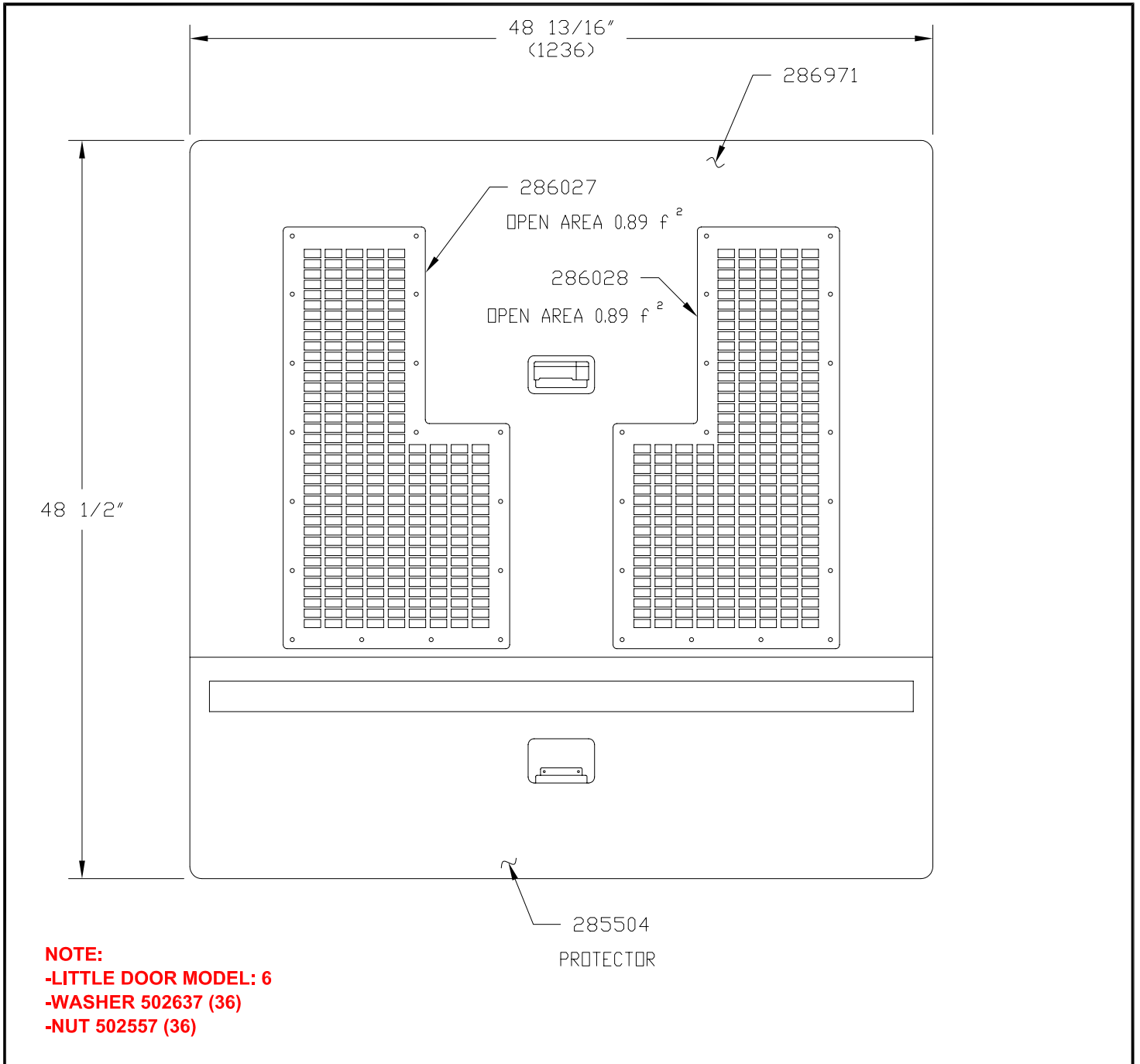
NOTE:
 -LITTLE DOOR MODEL: 6
 -WASHER 502637 (36)
 -NUT 502557 (36)

TOTAL PERFORATED AREA: 1.78 f ²	EFF : V-1857	DOOR ASSY ONLY IN SERVICE PART	286036P
	PRIOR: 1-4275		
DATE: 02-01	WITH INSULATION	OPTION LIST	286019
REV.: A	WITHOUT INSULATION		

PREVOST® H SERIES



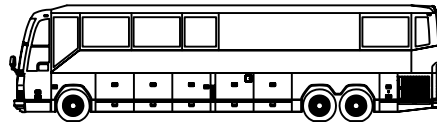
V.I.P. 45'



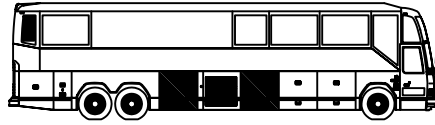
NOTE:
 -LITTLE DOOR MODEL: 6
 -WASHER 502637 (36)
 -NUT 502557 (36)

TOTAL PERFORATED AREA: 1.78 f ²	EFF : 1-4275	DOOR ASSY ONLY IN SERVICE PART	NA
	PRIOR:		
DATE: 01-04	WITH INSULATION	OPTION LIST	287034
REV. :	WITHOUT INSULATION		

PREVOST. H SERIES

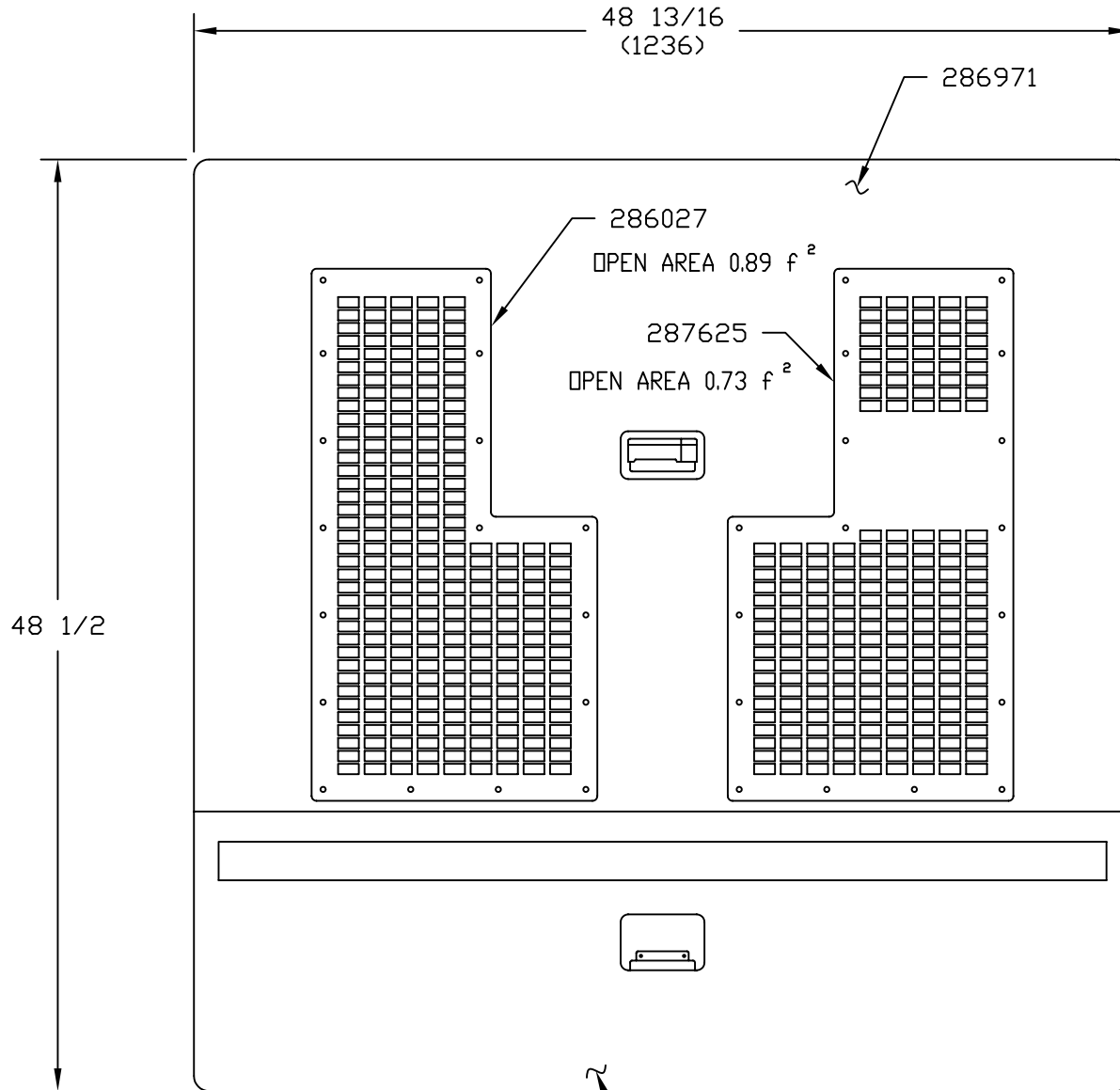


1 2 3 4 5



5 4 3 2 1

V.I.P. 45'



NOTE:
-WASHER DOOR MODEL : 6
-WASHER 502637 (36)
-NUT 502557 (36)

TOTAL PERFORATED
AREA: 1.62 f²

EFF : 1-4275

PRIOR:

DOOR ASSY ONLY
IN SERVICE PART

N/A

DATE: 07-03

WITH INSULATION

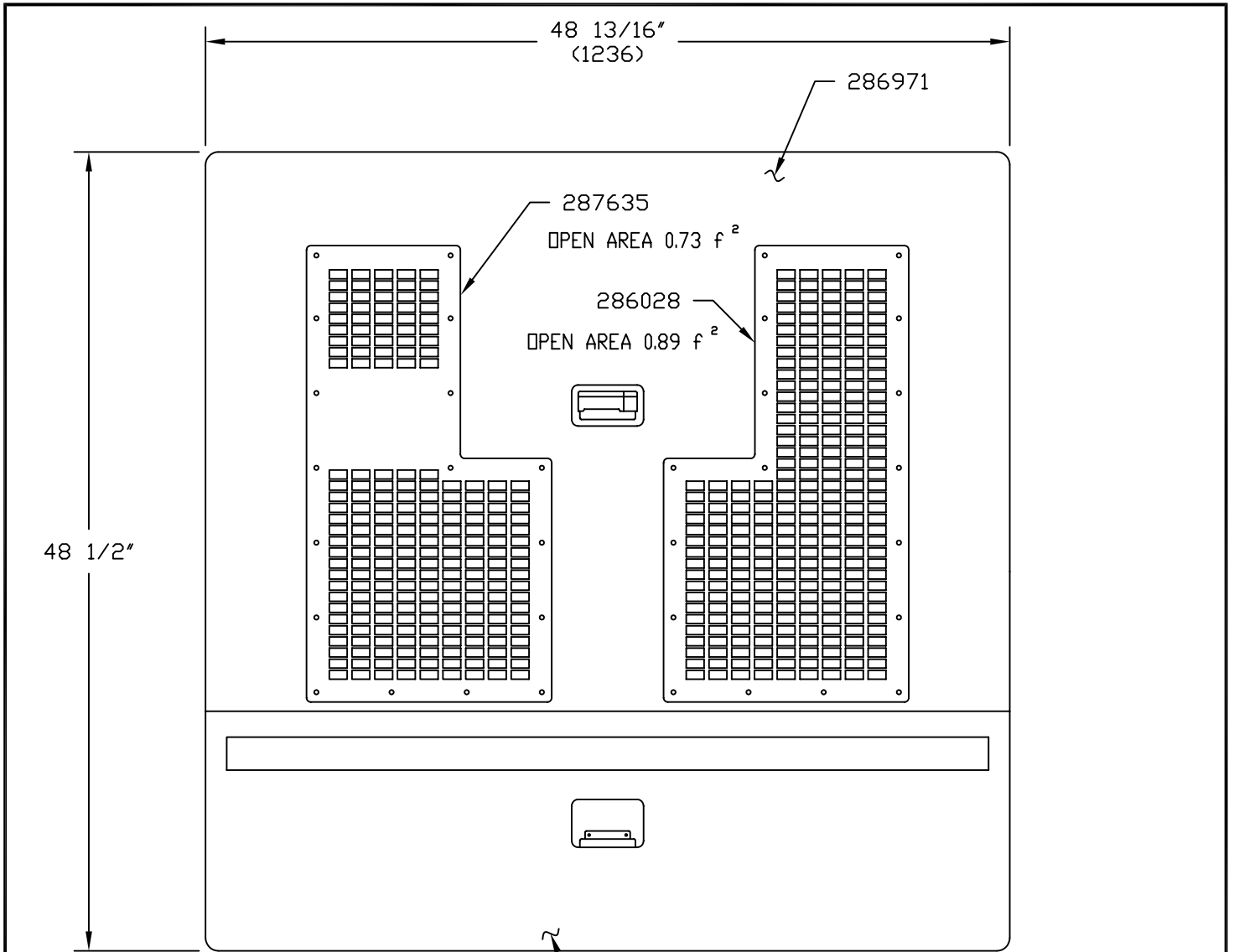
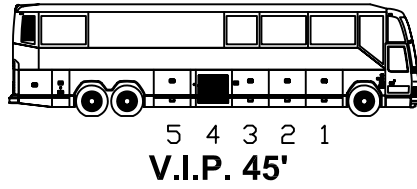
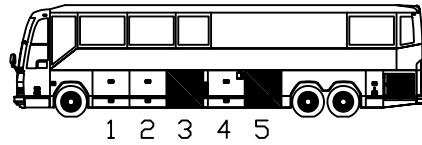
OPTION LIST

REV. :

WITHOUT INSULATION

#287636

PREVOST. H SERIES

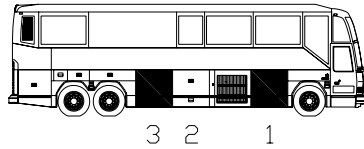
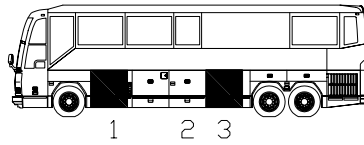


NOTE:
 -WASHER DOOR MODEL : 6
 -WASHER 502637 (36)
 -NUT 502557 (36)

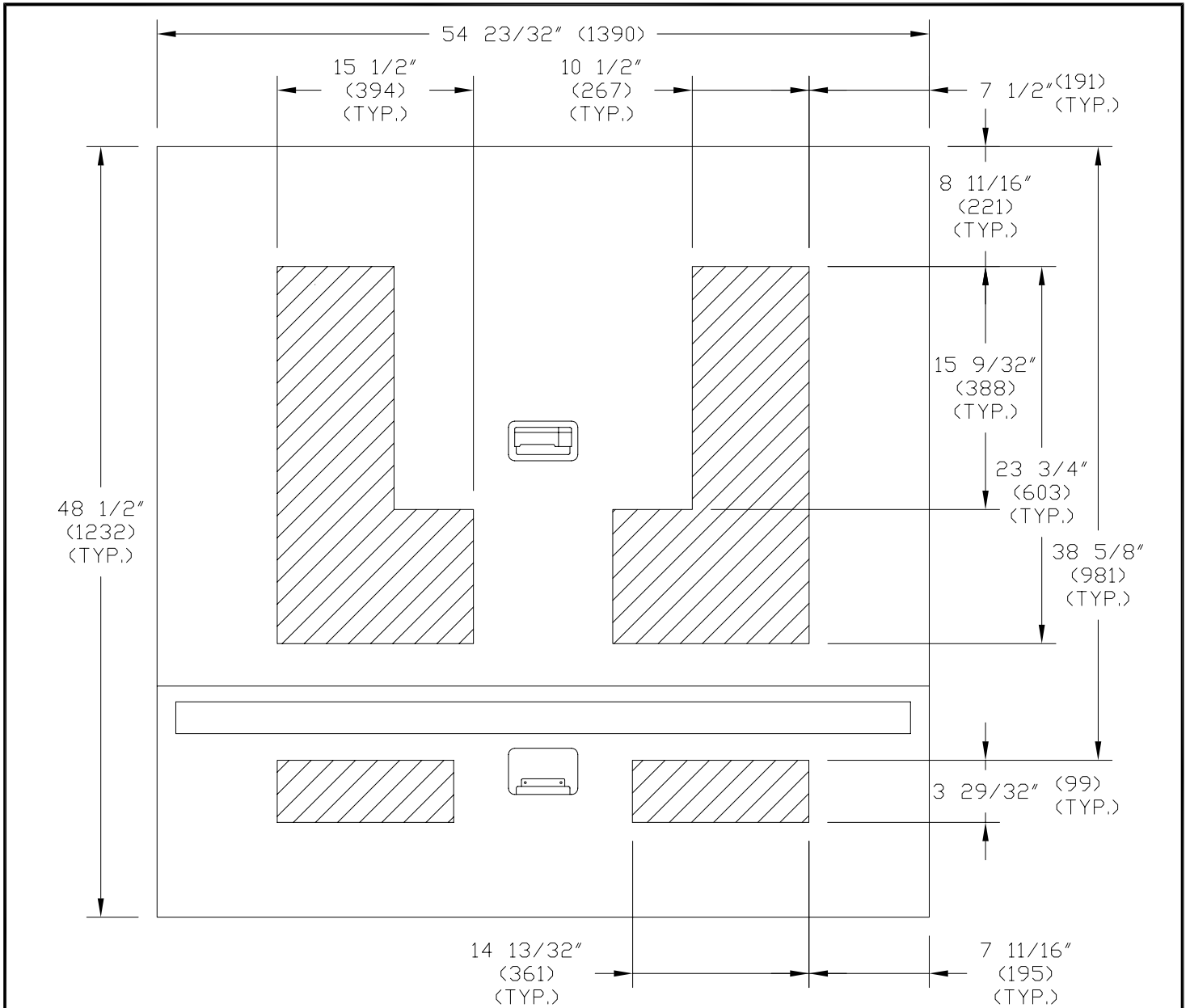
285504
 PROTECTOR

TOTAL PERFORATED AREA: 1.62 f ²	EFF : 1-4275	DOOR ASSY ONLY IN SERVICE PART	N/A
	PRIOR:		
DATE: 07-03	WITH INSULATION	OPTION LIST	#287637
REV. :	WITHOUT INSULATION		

PREVOST® H SERIES



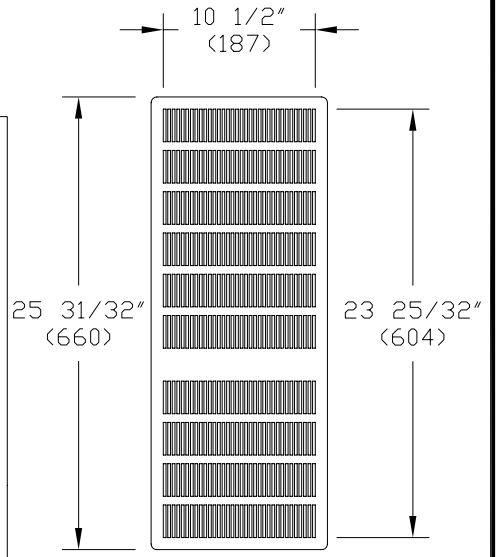
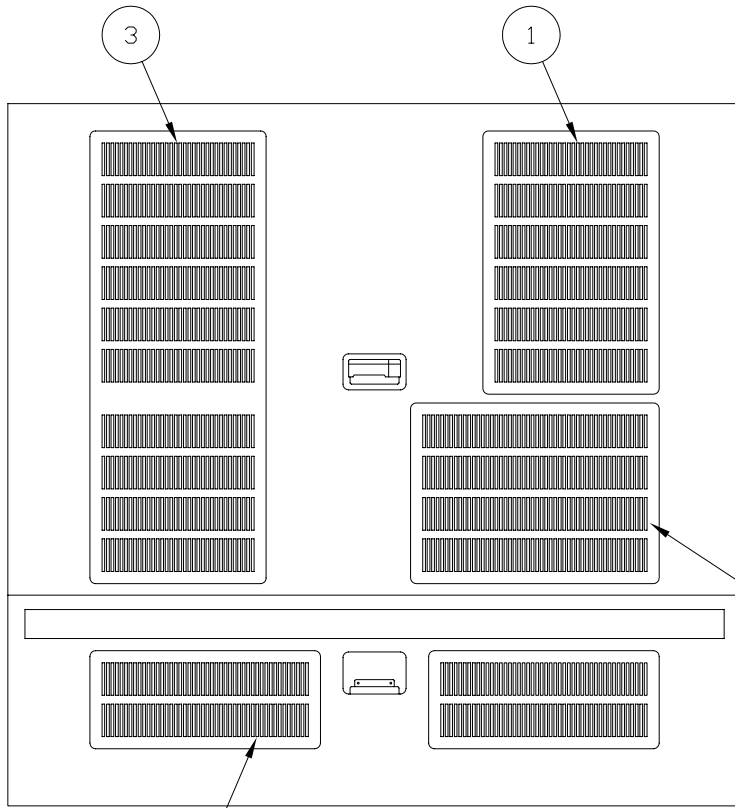
V.I.P. 40'



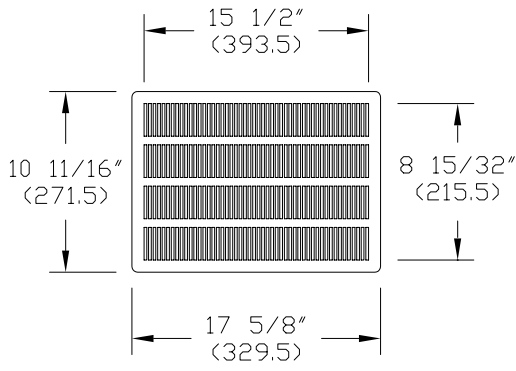
LARGE LUGGAGE DOOR

 POSSIBLE PERFORATED AREA-(MAXIMUM DIMENSIONS)

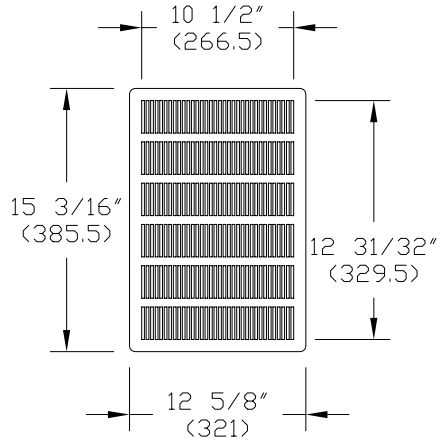
TOTAL PERFORATED AREA: 4.82 f ²	EFF : L-029	DOOR ASSY ONLY IN SERVICE PART	N.A.
	PRIOR: R-004		
DATE: 98-03	WITH INSULATION	OPTION LIST	LARGE
REV. :	WITHOUT INSULATION		



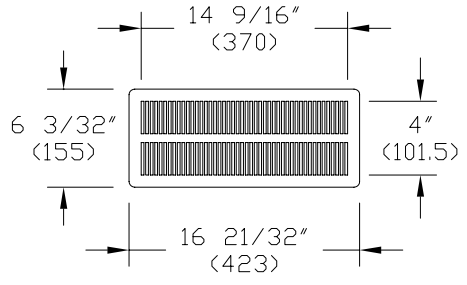
3 #283812
OPEN AREA 0.77 f²



2 #283808
OPEN AREA 0.45 f²



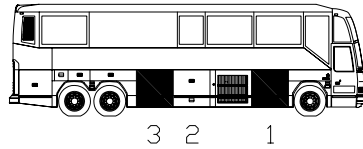
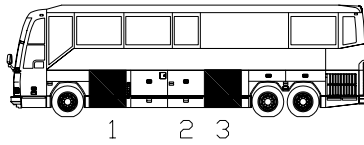
1 #283809
OPEN AREA 0.46 f²



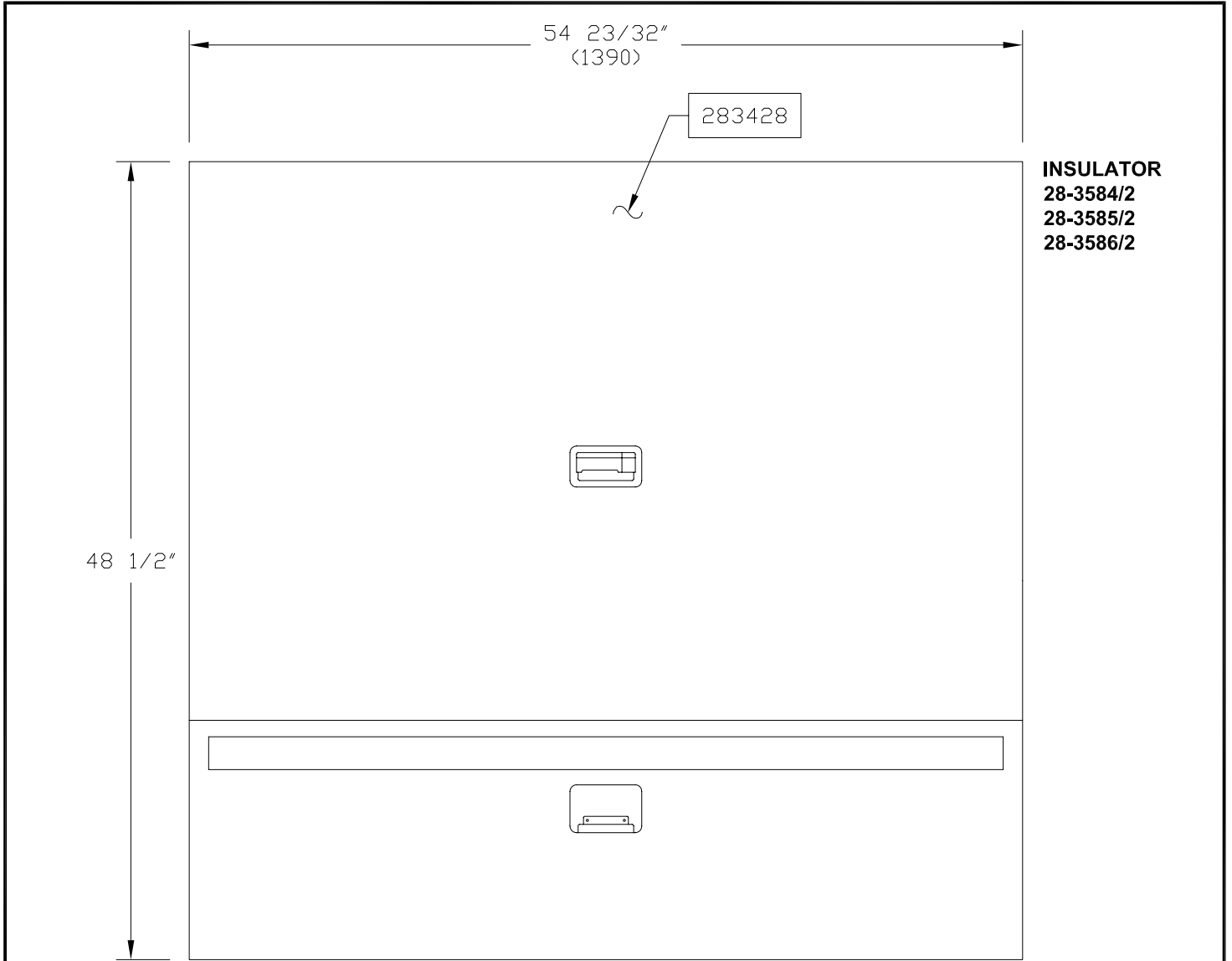
4 #283545
OPEN AREA 0.21 f²

LARGE LUGGAGE DOOR GRILLE DETAIL

PREVOST® H SERIES



V.I.P. 40'



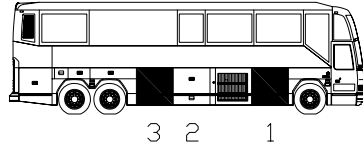
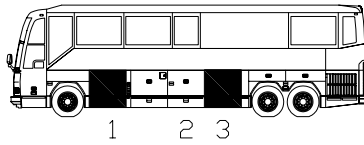
INSULATOR
 28-3584/2
 28-3585/2
 28-3586/2

NOTE:
-LARGE DOOR MODEL: 1

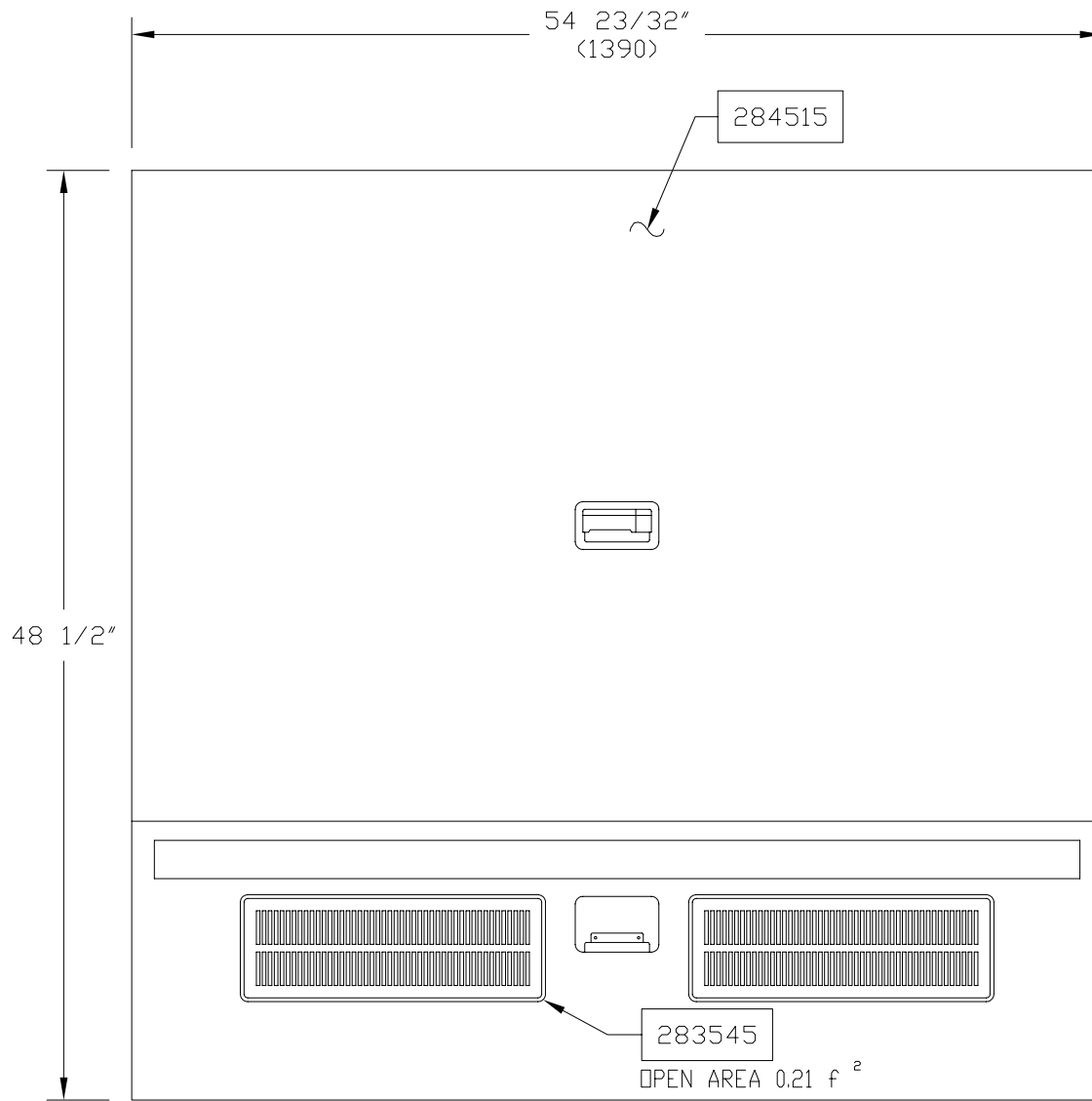
282506
 PROTECTOR

TOTAL PERFORATED AREA: 0000 f ²	EFF : L-029	DOOR ASSY ONLY IN SERVICE PART	N.A.
	PRIOR: R-004		
DATE: 98-03	WITH INSULATION	OPTION LIST	283548
REV. :	WITHOUT INSULATION		

PREVOST® H SERIES



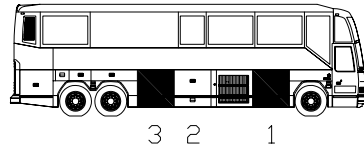
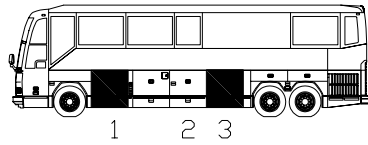
V.I.P. 40'



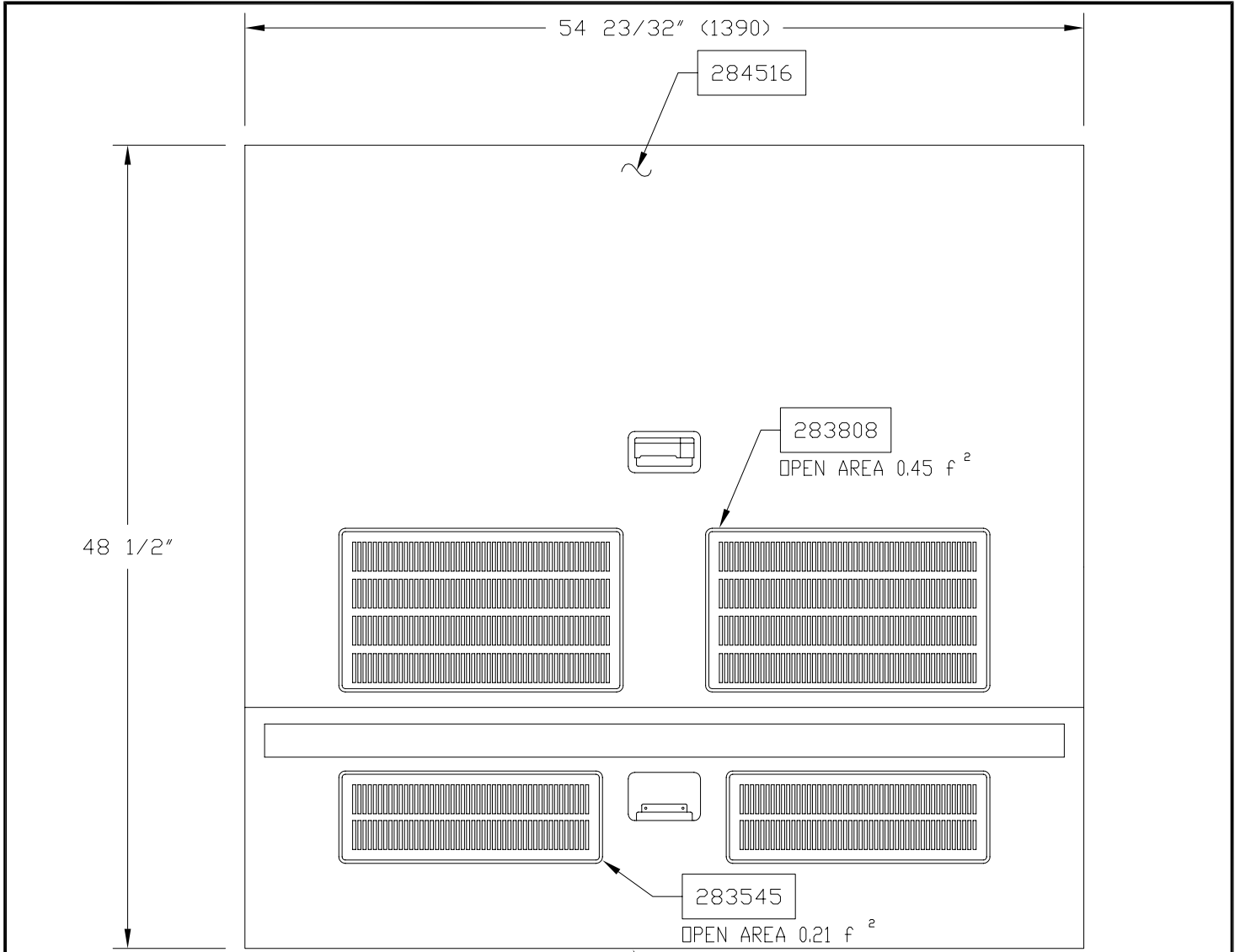
NOTE:
-LARGE DOOR MODEL: 2
-WASHER 502556 (20)
-NUT 502557 (20)

TOTAL PERFORATED AREA: 0.42 f ²	EFF : L-029	DOOR ASSY ONLY IN SERVICE PART	N.A.
	PRIOR: R-004		
DATE: 98-03	WITH INSULATION	OPTION LIST	283550
REV. :	WITHOUT INSULATION		

PREVOST® H SERIES



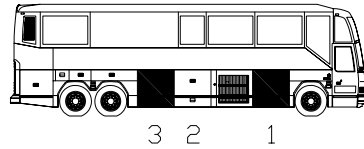
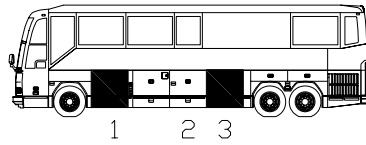
V.I.P. 40'



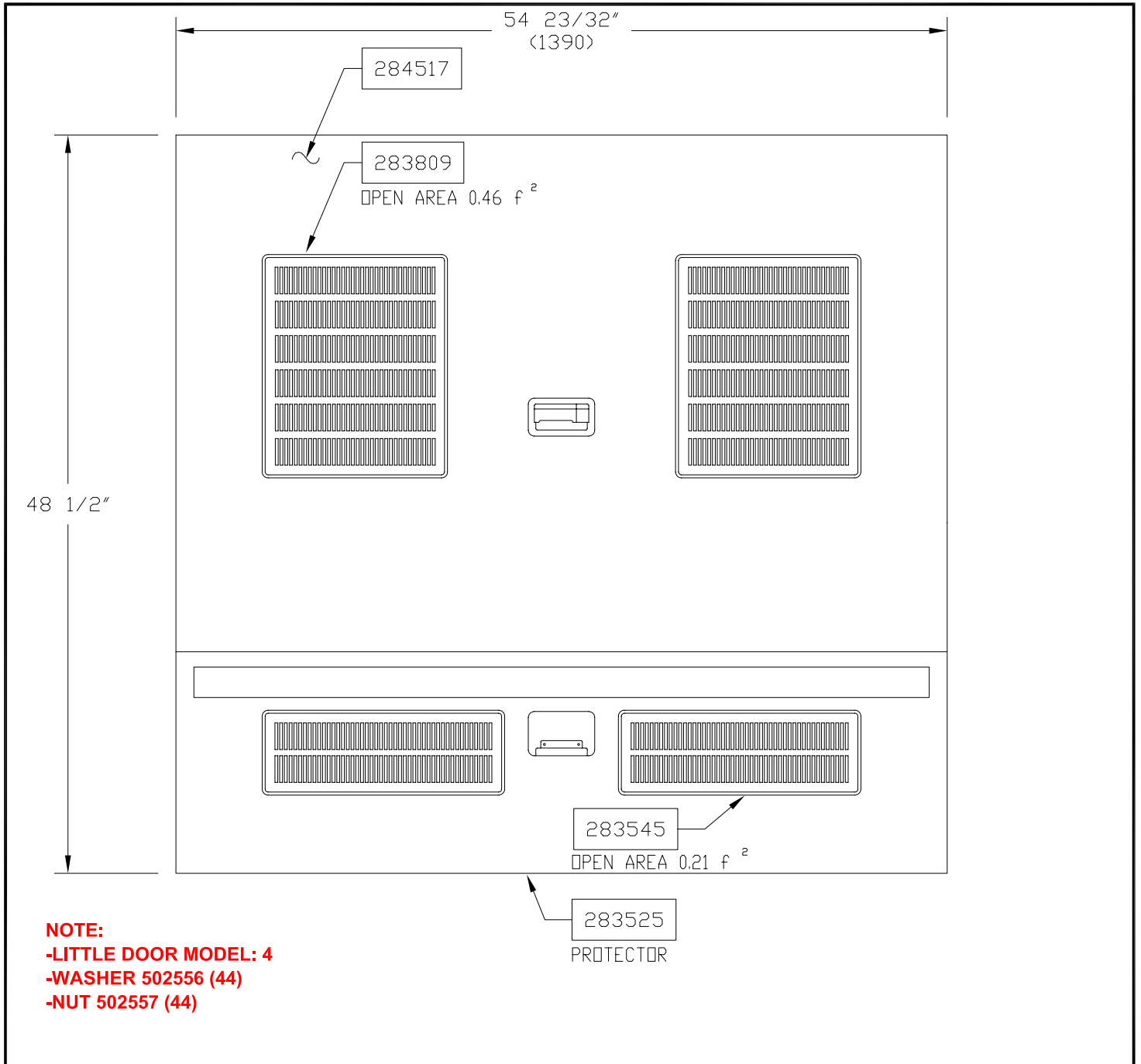
NOTE:
 -LITTLE DOOR MODEL: 3
 -WASHER 502556 (44)
 -NUT 502557 (44)

TOTAL PERFORATED AREA: 1.32 f ²	EFF : L-029	DOOR ASSY ONLY IN SERVICE PART	N.A.
	PRIOR: R-004		
DATE: 98-03	WITH INSULATION	OPTION LIST	283633
REV. :	WITHOUT INSULATION		

PREVOST® H SERIES



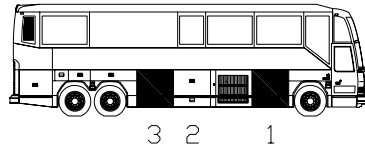
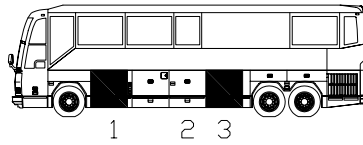
V.I.P. 40'



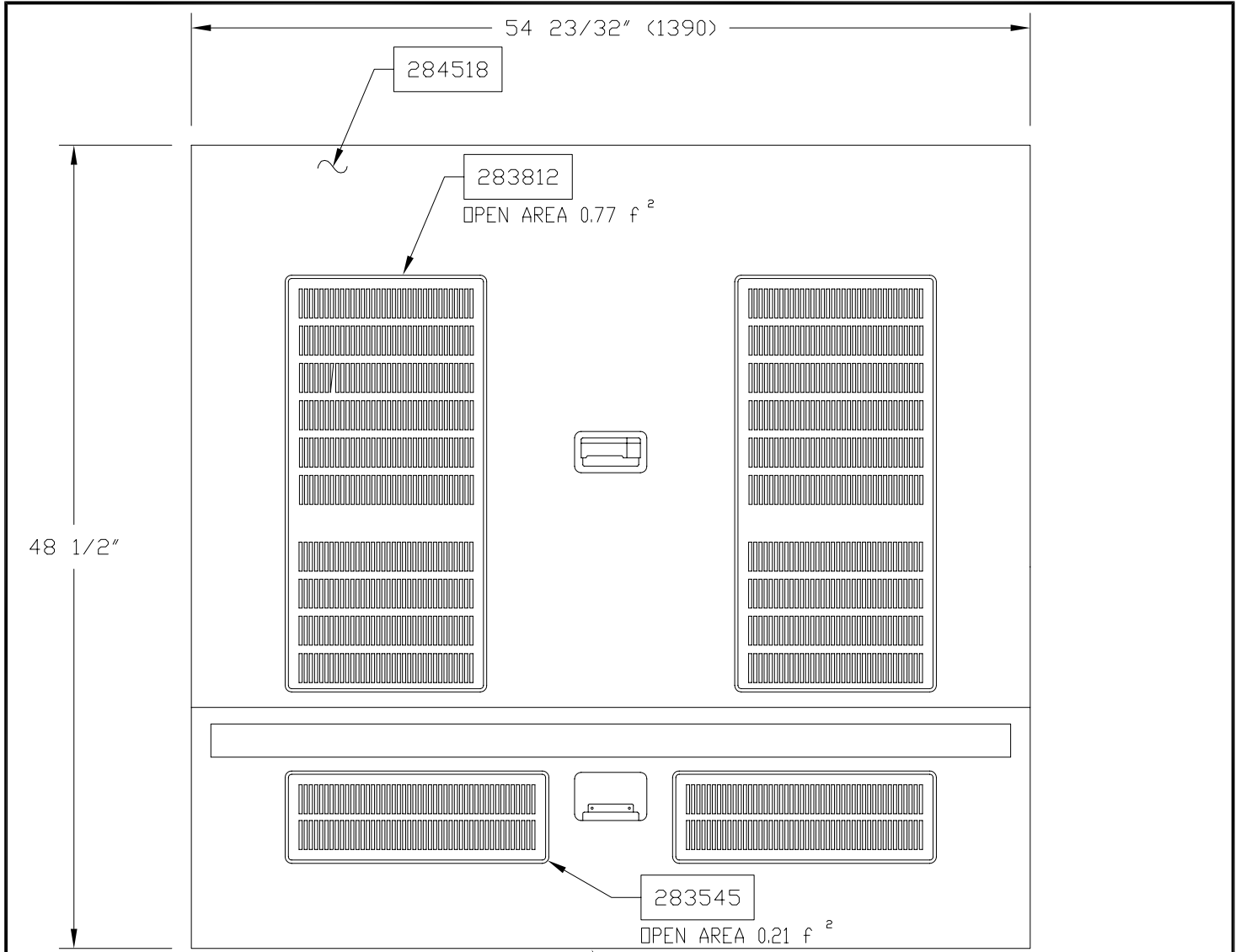
NOTE:
 -LITTLE DOOR MODEL: 4
 -WASHER 502556 (44)
 -NUT 502557 (44)

TOTAL PERFORATED AREA: 1.34 f ²	EFF : L-029	DOOR ASSY ONLY IN SERVICE PART	N.A.
	PRIOR: R-004		
DATE: 98-03	WITH INSULATION	OPTION LIST	283635
REV. :	WITHOUT INSULATION		

PREVOST® H SERIES



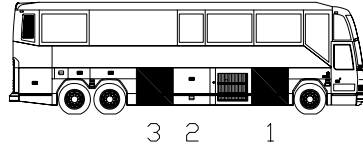
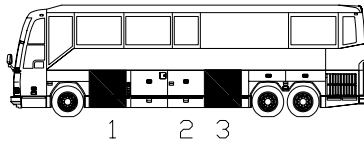
V.I.P. 40'



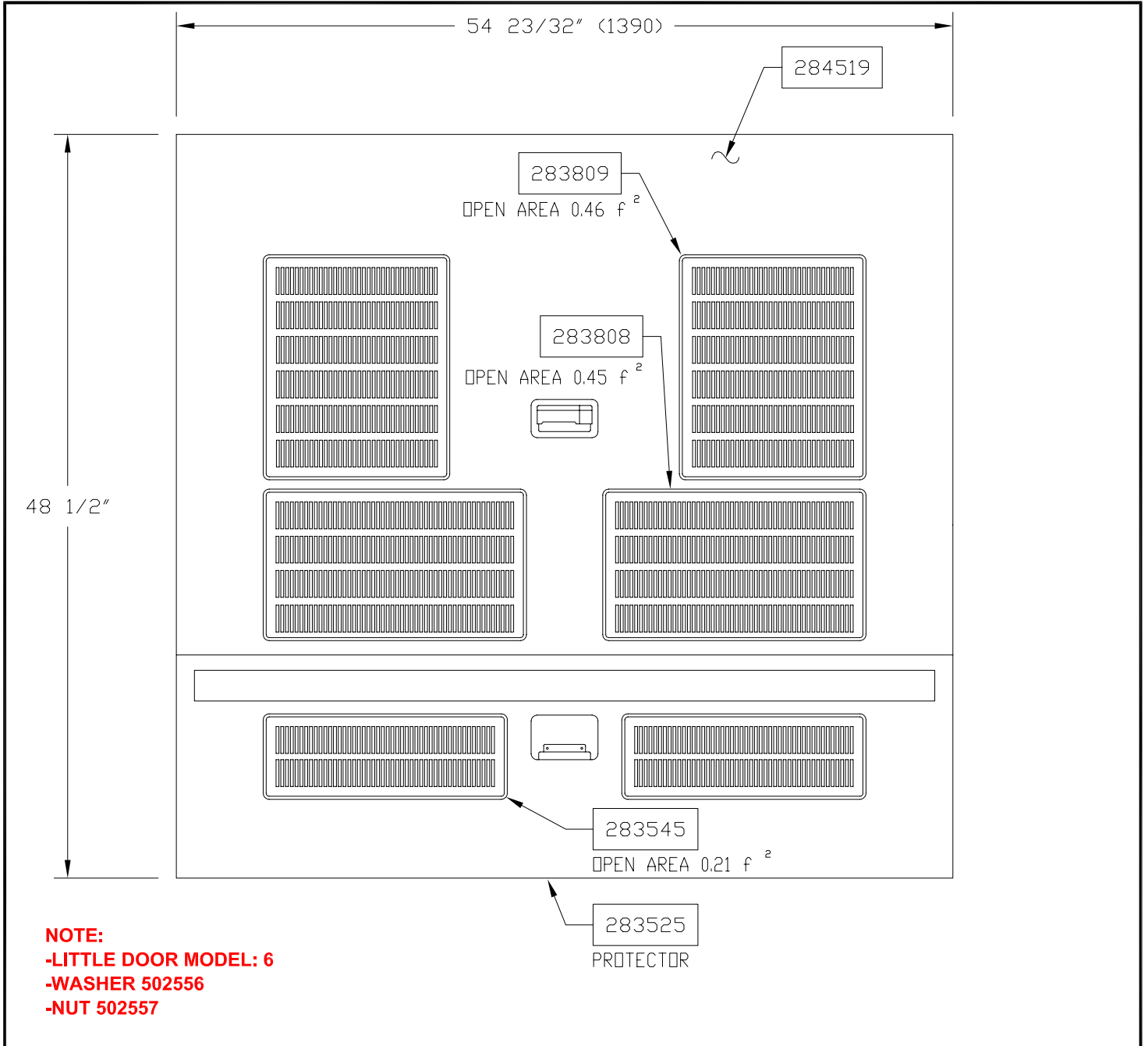
NOTE:
-LARGE DOOR MODEL: 5
-WASHER 502556 (62)
-NUT 502557 (62)

TOTAL PERFORATED AREA: 1.96 f ²	EFF : L-029	DOOR ASSY ONLY IN SERVICE PART	N.A.
	PRIOR: R-004		
DATE: 98-03	WITH INSULATION	OPTION LIST	283637
REV. :	WITHOUT INSULATION		

PREVOST® H SERIES

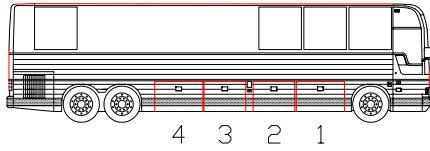
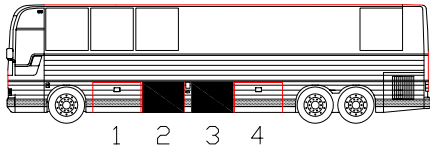


V.I.P. 40'

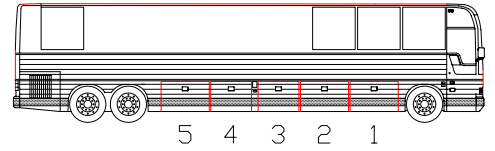
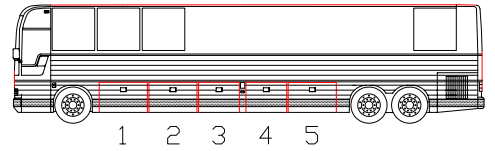


TOTAL PERFORATED AREA: 2.24 f ²	EFF : L-029	DOOR ASSY ONLY IN SERVICE PART	N.A.
	PRIOR: R-004		
DATE: 98-03	WITH INSULATION	OPTION LIST	283800
REV. :	WITHOUT INSULATION		

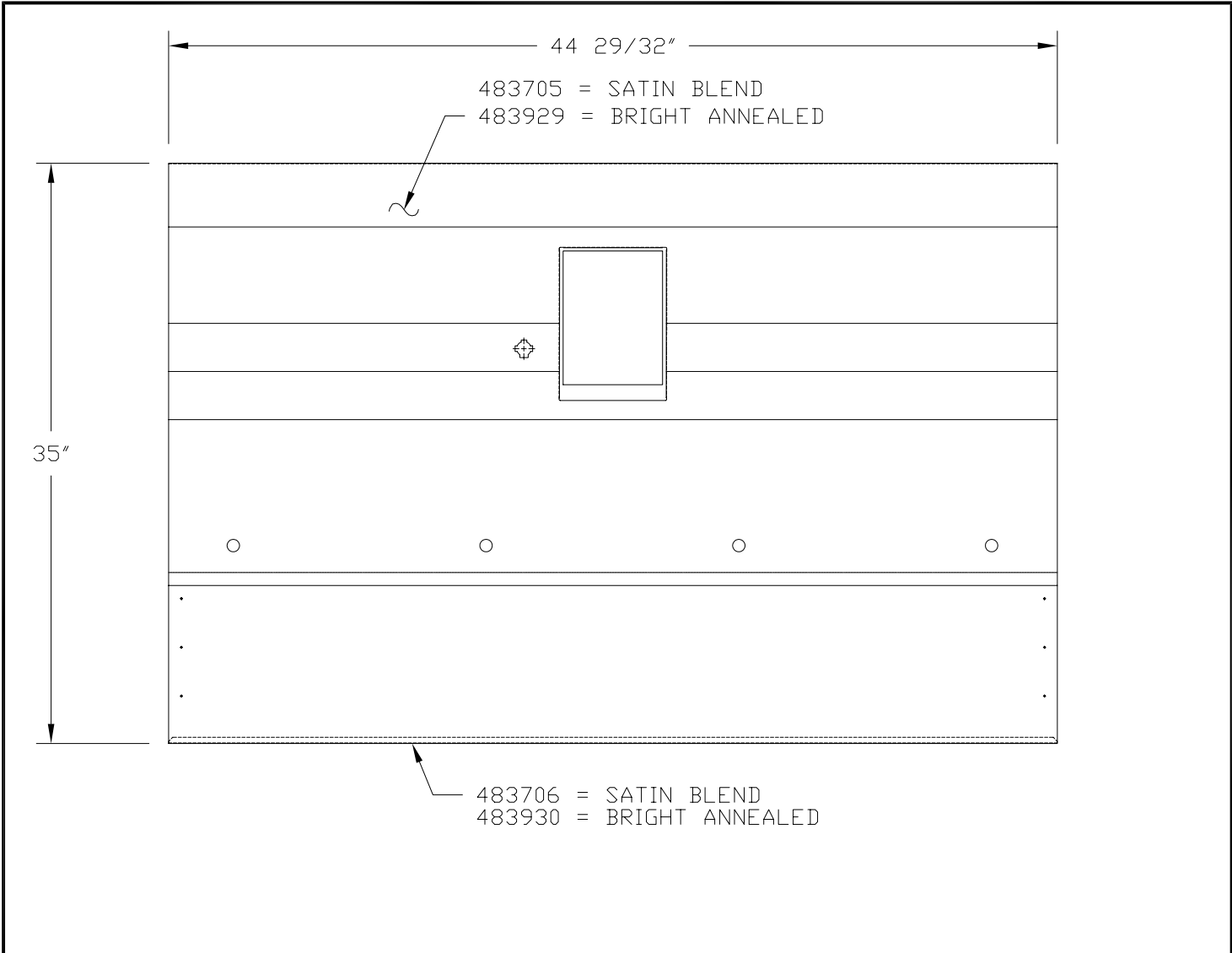
PREVOST® *Le Mirage XL*



MTH. 40'



45' ENT.



EXTERIOR VIEW

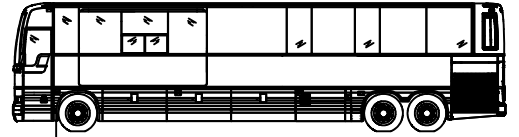
NOTE:
-BAGGAGE DOOR WITH HINGE

TOTAL PERFORATED AREA: 0.00 f ²	EFF : 2-7845		DOOR ASSY ONLY IN SERVICE PART	N/A
	PRIOR:			
DATE: 04-07	WITH INSULATION	X	REFERENCE ONLY	4745E
REV. : B	WITHOUT INSULATION			

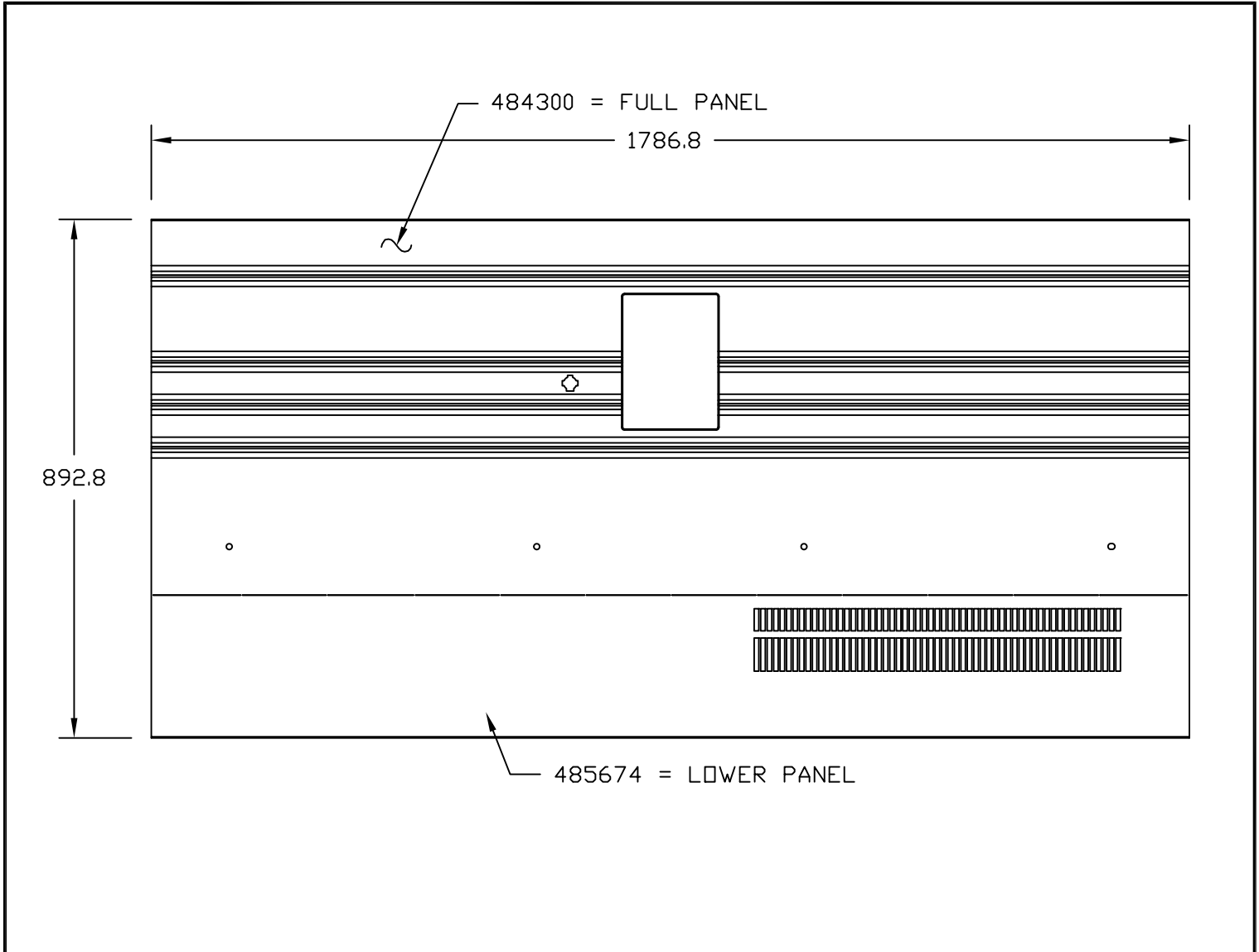
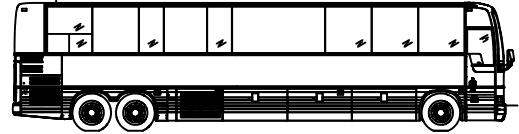
PREVOST



X3-VIP



XL-II ENT.



EXTERIOR VIEW

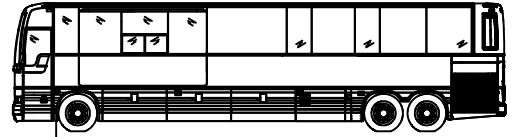
NOTE:

TOTAL PERFORATED AREA: 0.46 f ²	EFF : B-5003	DOOR ASSY ONLY IN SERVICE PART	N.A.
	PRIOR:		
DATE: 09-2011	WITH INSULATION	REFERENCE ONLY	484300
REV. :	WITHOUT INSULATION		

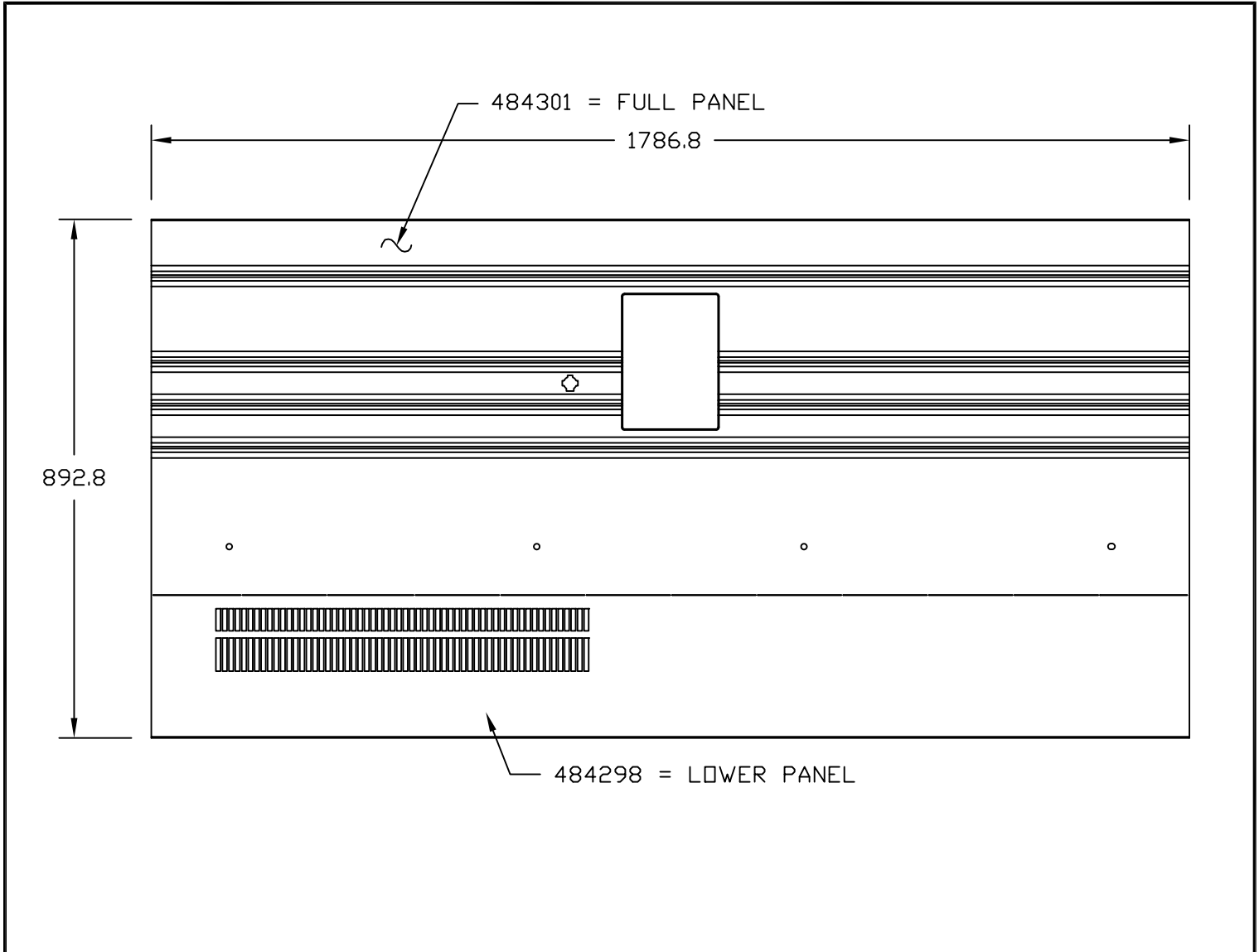
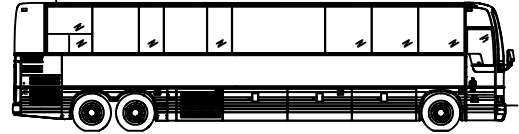
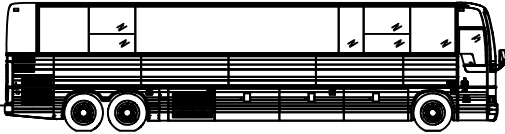
PREVOST



X3-VIP



XL-II ENT.



EXTERIOR VIEW

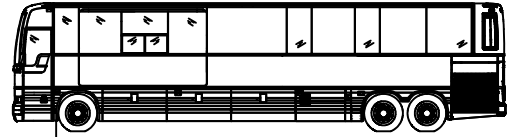
NOTE:

TOTAL PERFORATED AREA: 0.47 f ²	EFF : B-5003	DOOR ASSY ONLY IN SERVICE PART	N.A.
	PRIOR:		
DATE: 09-2011	WITH INSULATION	REFERENCE ONLY	484301
REV. :	WITHOUT INSULATION		

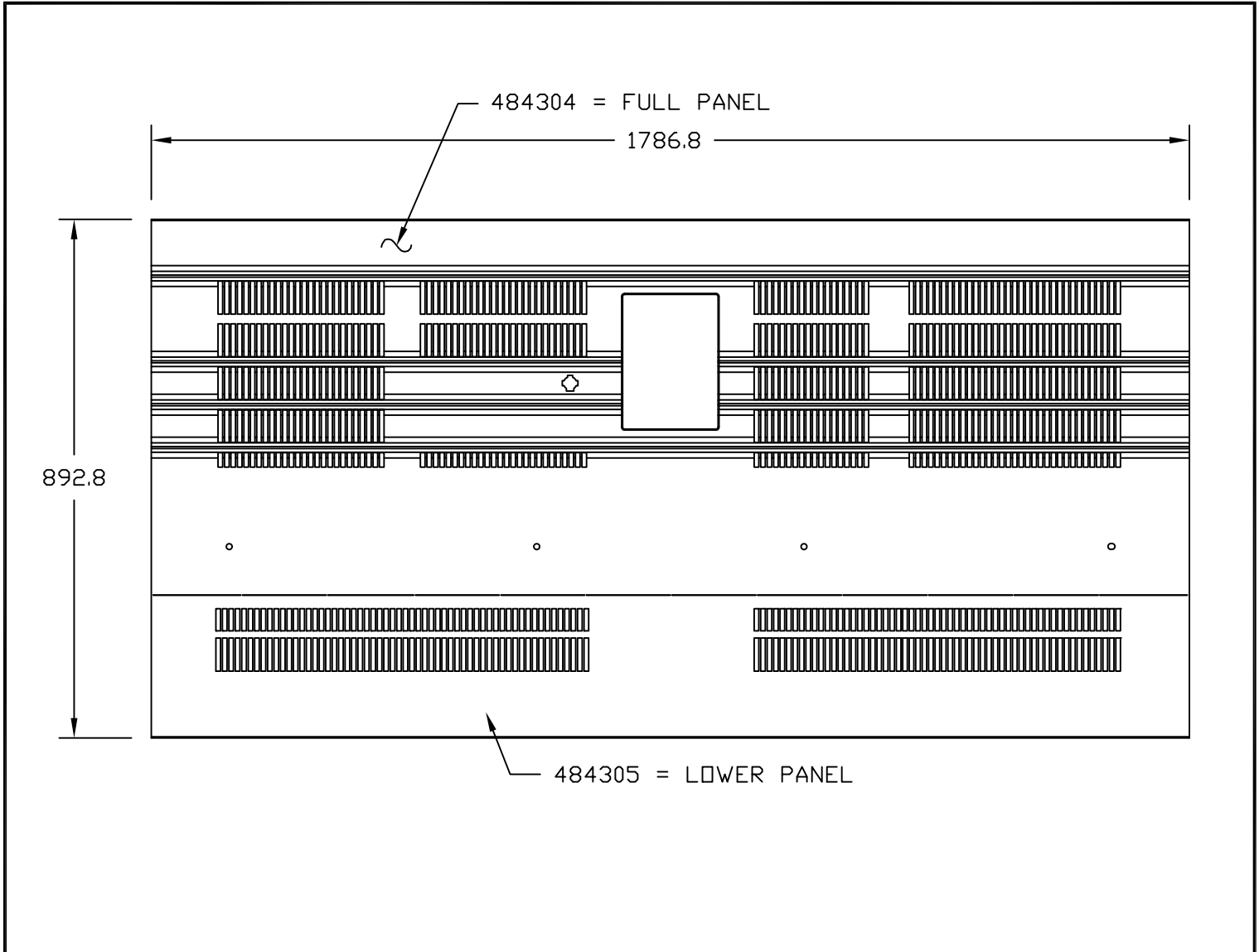
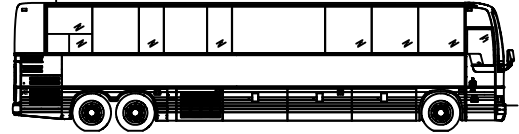
PREVOST



X3-VIP



XL-II ENT.



EXTERIOR VIEW

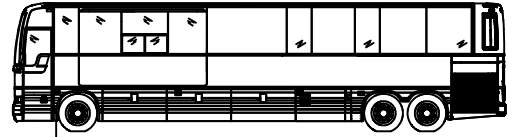
NOTE:

TOTAL PERFORATED AREA: 2.84 f ²	EFF : B-5003	DOOR ASSY ONLY IN SERVICE PART	N.A.
	PRIOR:		
DATE: 09-2011	WITH INSULATION	REFERENCE ONLY	484304
REV. :	WITHOUT INSULATION		

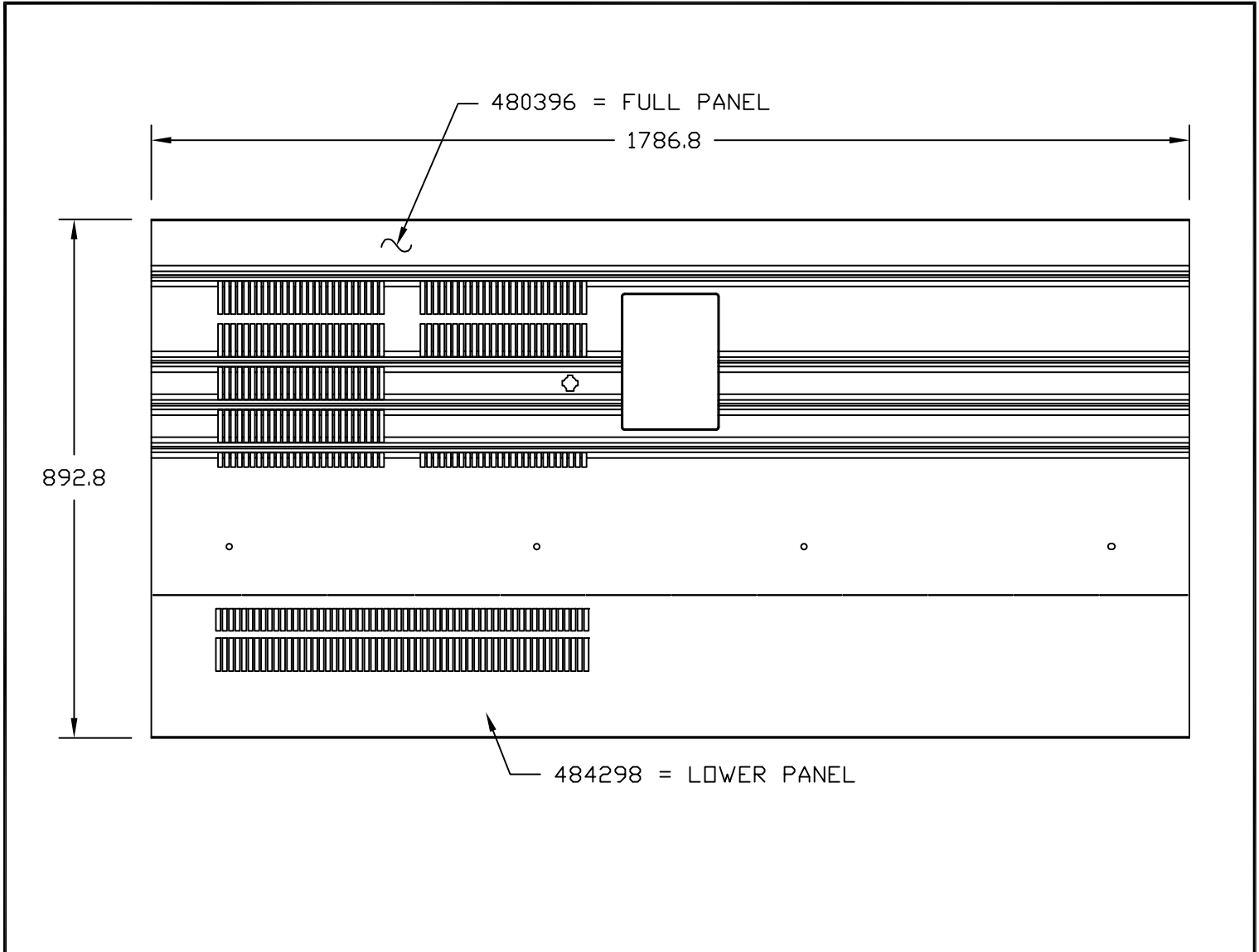
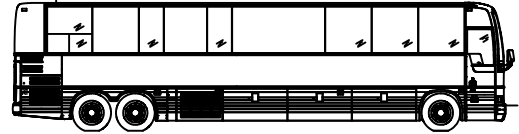
PREVOST



X3-VIP



XL-II ENT.

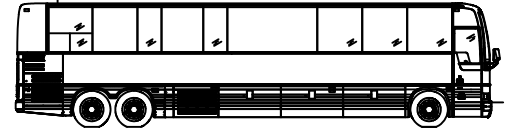
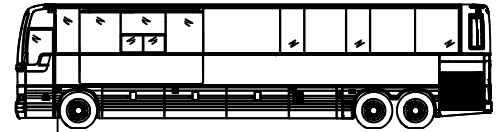
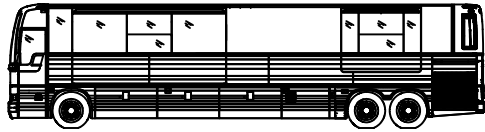


EXTERIOR VIEW

NOTE:

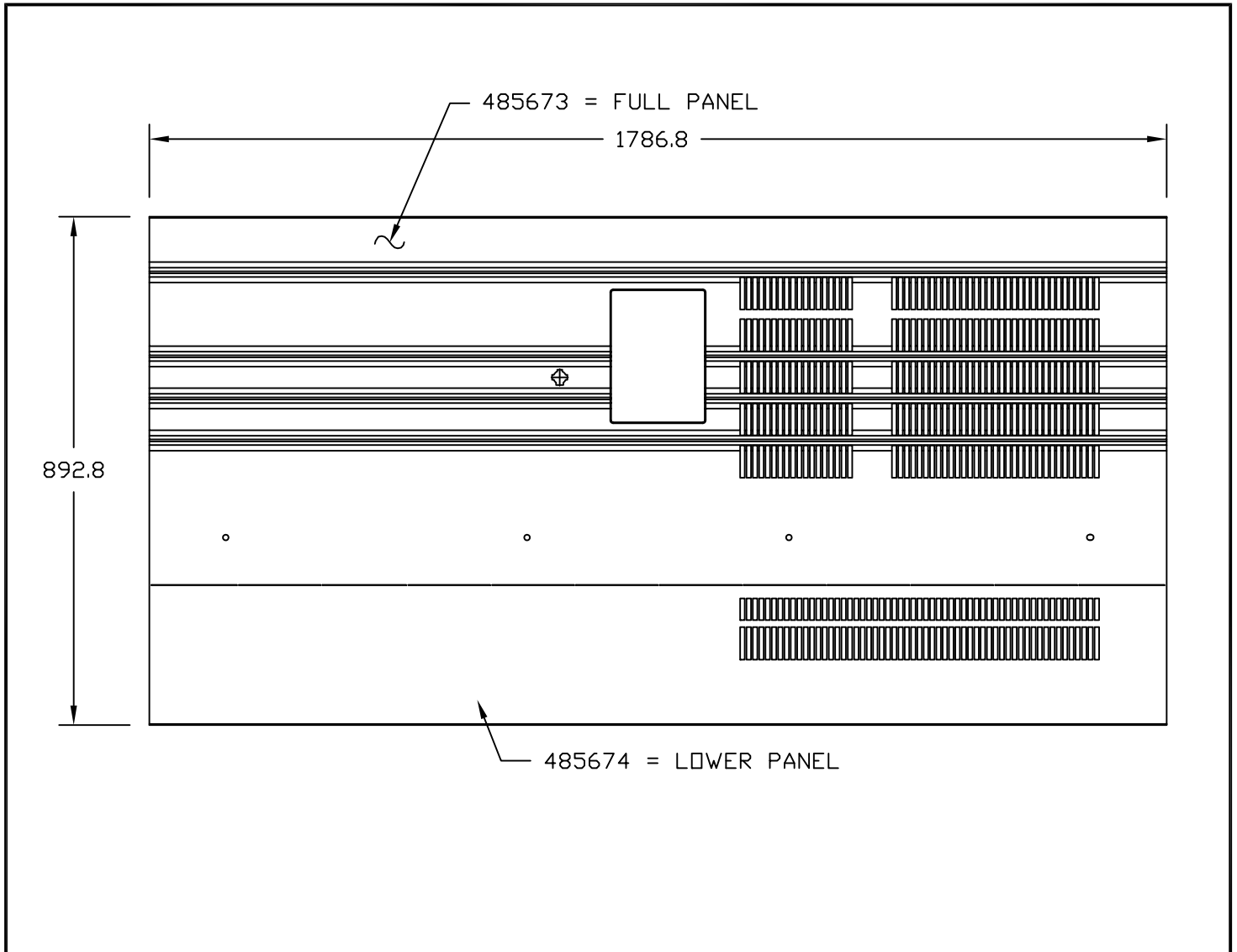
TOTAL PERFORATED AREA: 1.33 f ²	EFF : B-5003	DOOR ASSY ONLY IN SERVICE PART	N.A.
	PRIOR:		
DATE: 09-2011	WITH INSULATION	REFERENCE ONLY	480396
REV. :	WITHOUT INSULATION		

PREVOST.



X3-VIP

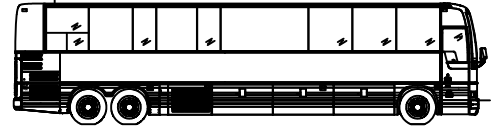
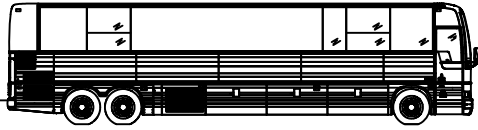
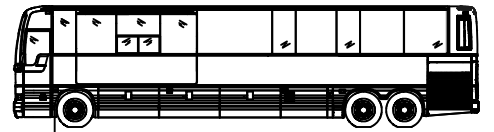
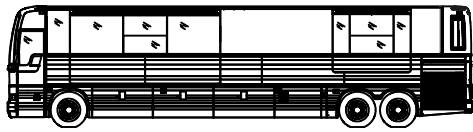
XL-II ENT.



NOTE:

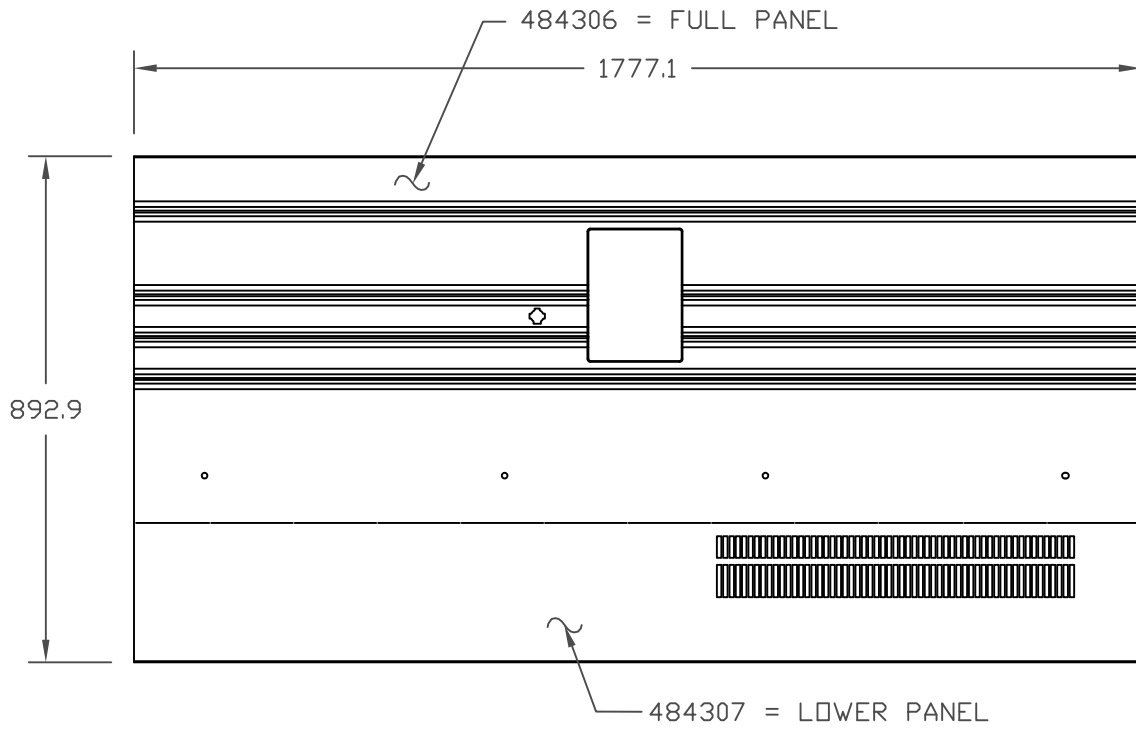
TOTAL PERFORATED AREA: 1.51 f ²	EFF : B-5003	DOOR ASSY ONLY IN SERVICE PART	N.A.
	PRIOR:		
DATE: 09-2011	WITH INSULATION	REFERENCE ONLY	485673
REV. :	WITHOUT INSULATION		

PREVOST



X3-VIP

XL-II ENT.

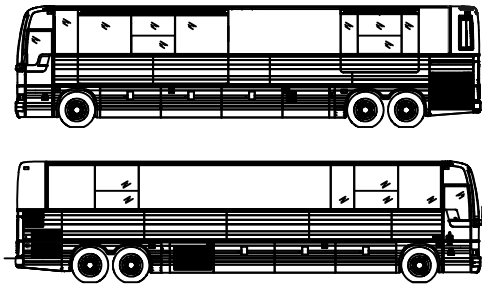


EXTERIOR VIEW

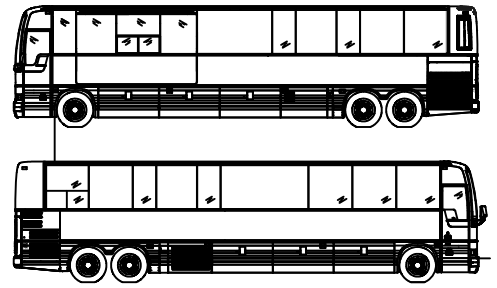
NOTE:

TOTAL PERFORATED AREA: 0.46 f ²	EFF : B-5003	DOOR ASSY ONLY IN SERVICE PART	N.A.
	PRIOR:		
DATE: 09-2011	WITH INSULATION	REFERENCE ONLY	484306
REV. :	WITHOUT INSULATION		

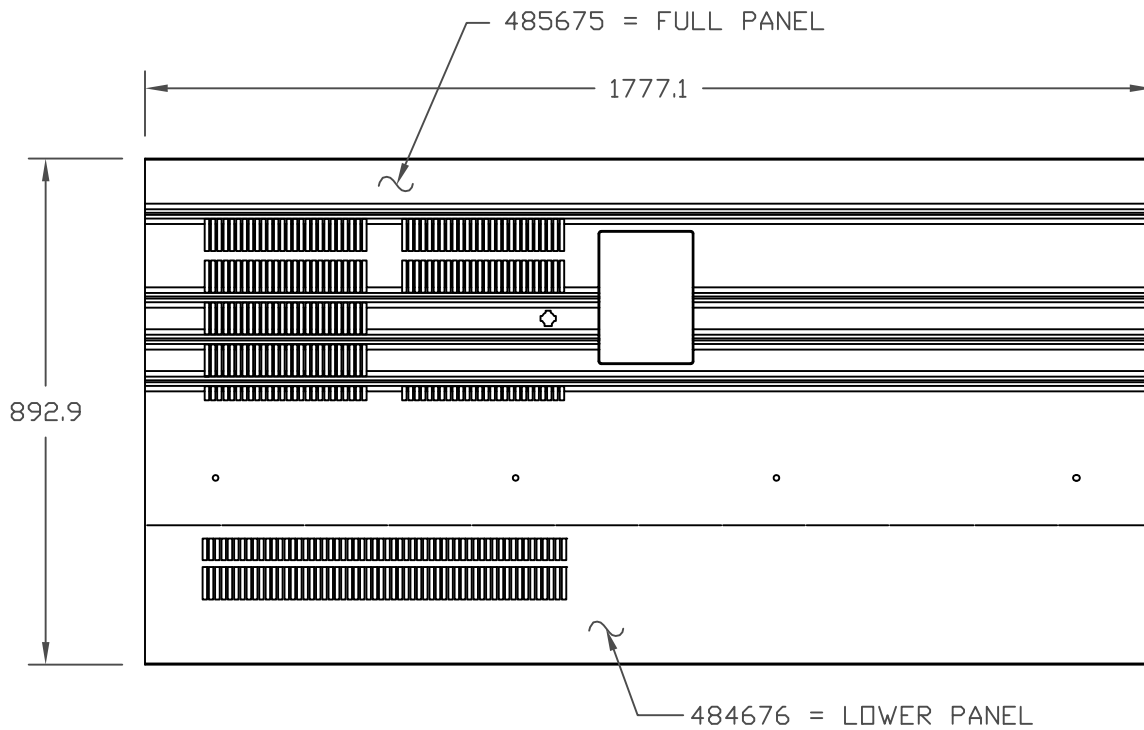
PREVOST



X3-VIP



XL-II ENT.

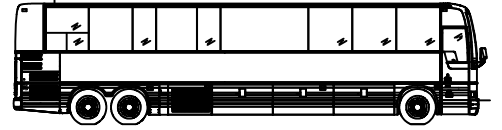
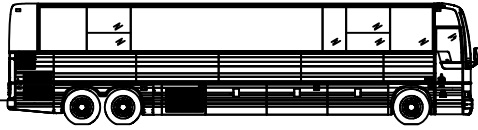
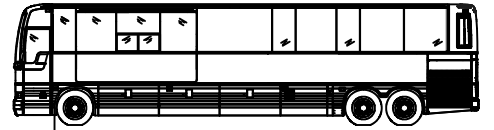


EXTERIOR VIEW

NOTE:

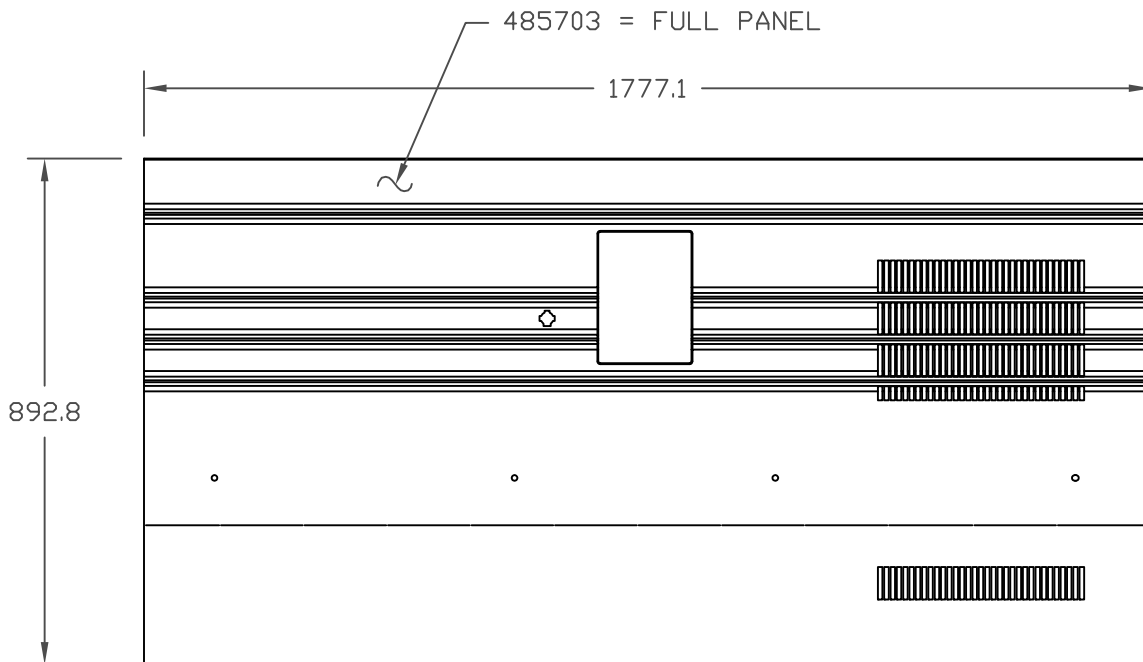
TOTAL PERFORATED AREA: 1.33 f ²	EFF : B-5003		DOOR ASSY ONLY IN SERVICE PART	N.A.
	PRIOR:			
DATE: 10-2011	WITH INSULATION	REFERENCE ONLY	485675	
REV.: A	WITHOUT INSULATION			

PREVOST.



X3-VIP

XL-II ENT.

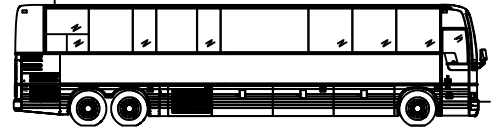
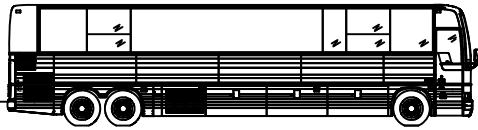
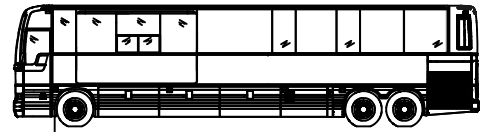
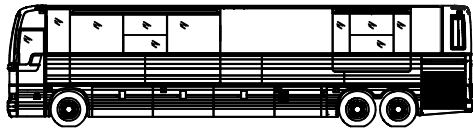


EXTERIOR VIEW

NOTE:

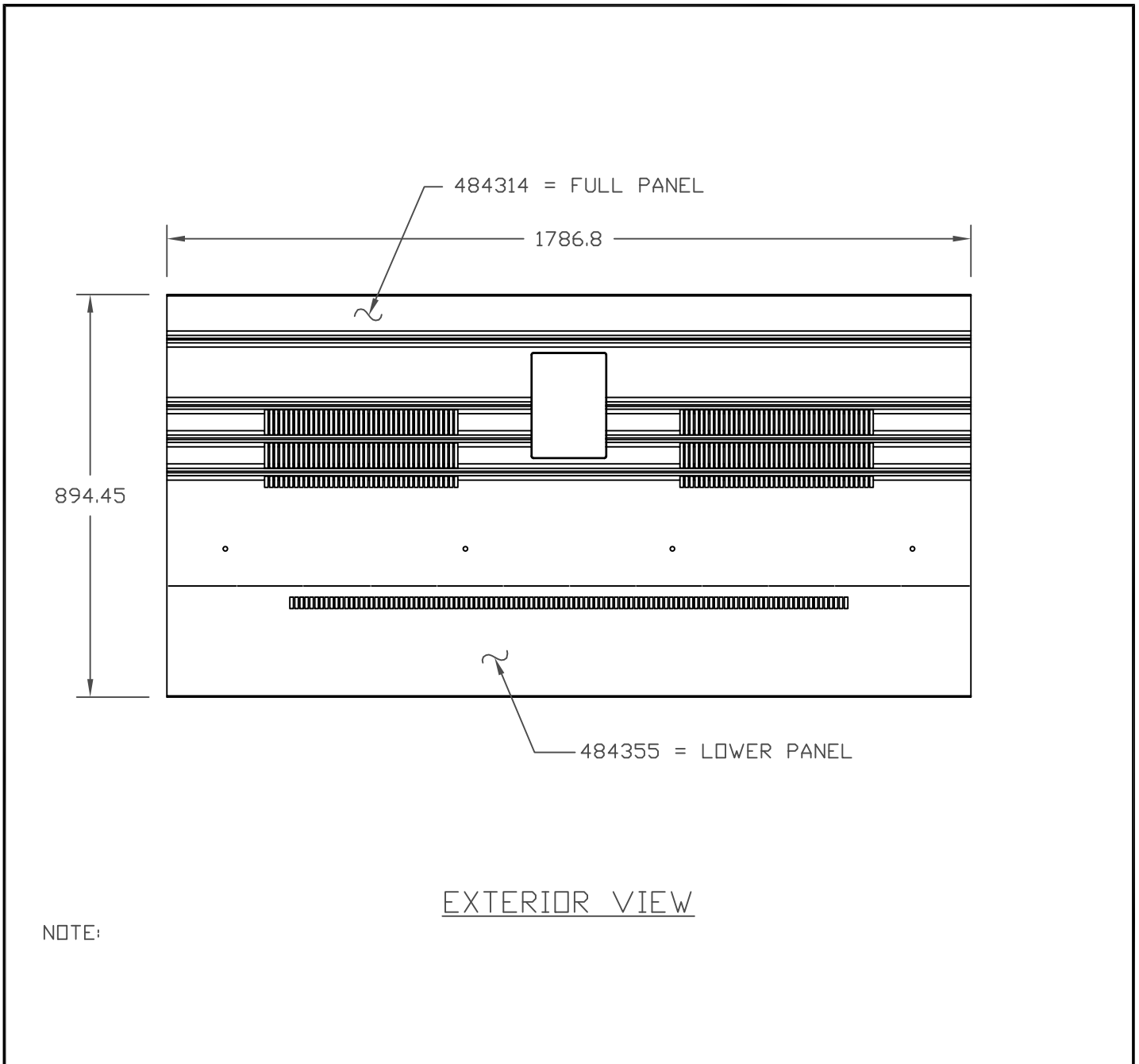
TOTAL PERFORATED AREA: 0.77 f ²	EFF : B-5003		DOOR ASSY ONLY IN SERVICE PART	N.A.
	PRIOR:			
DATE: 09-2011	WITH INSULATION	REFERENCE ONLY	485703	
REV. :	WITHOUT INSULATION			

PREVOST.



X3-VIP

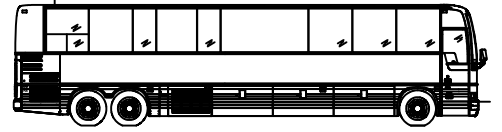
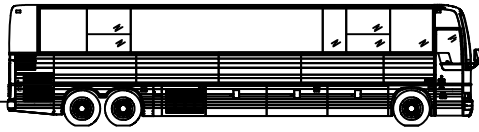
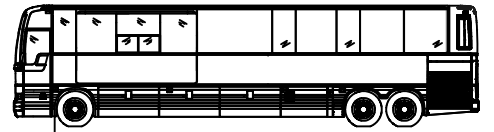
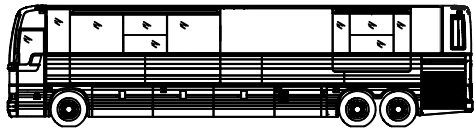
XL-II ENT.



NOTE:

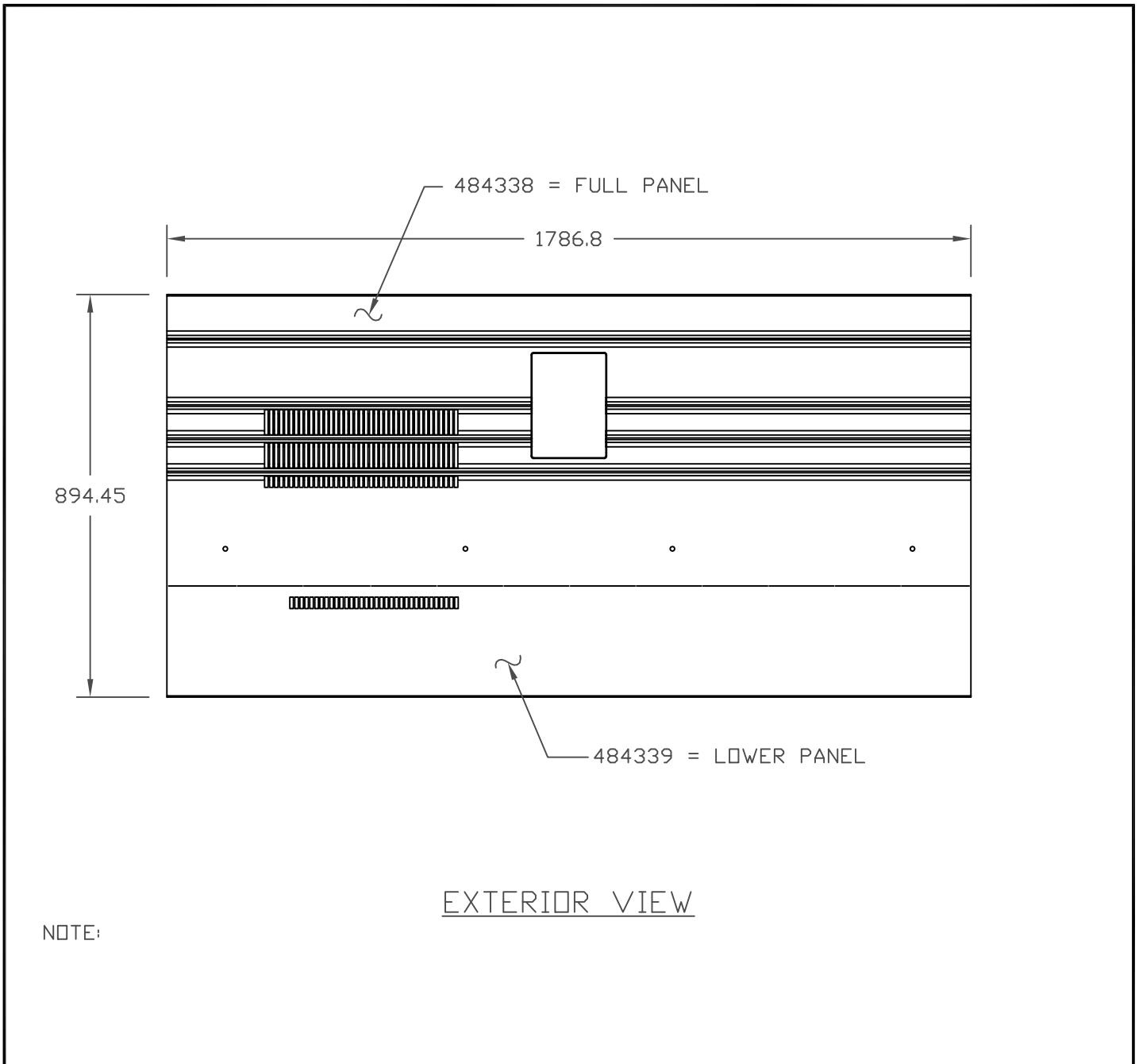
TOTAL PERFORATED AREA: 1.15 f ²	EFF : D-5460		DOOR ASSY ONLY IN SERVICE PART	N.A.
	PRIOR:			
DATE: 02-2013	WITH INSULATION	REFERENCE ONLY	484314	
REV.: B	WITHOUT INSULATION			

PREVOST.



X3-VIP

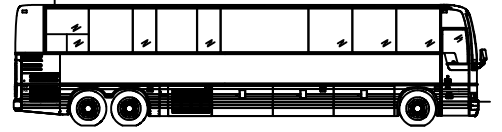
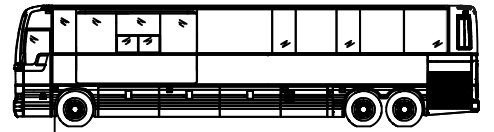
XL-II ENT.



NOTE:

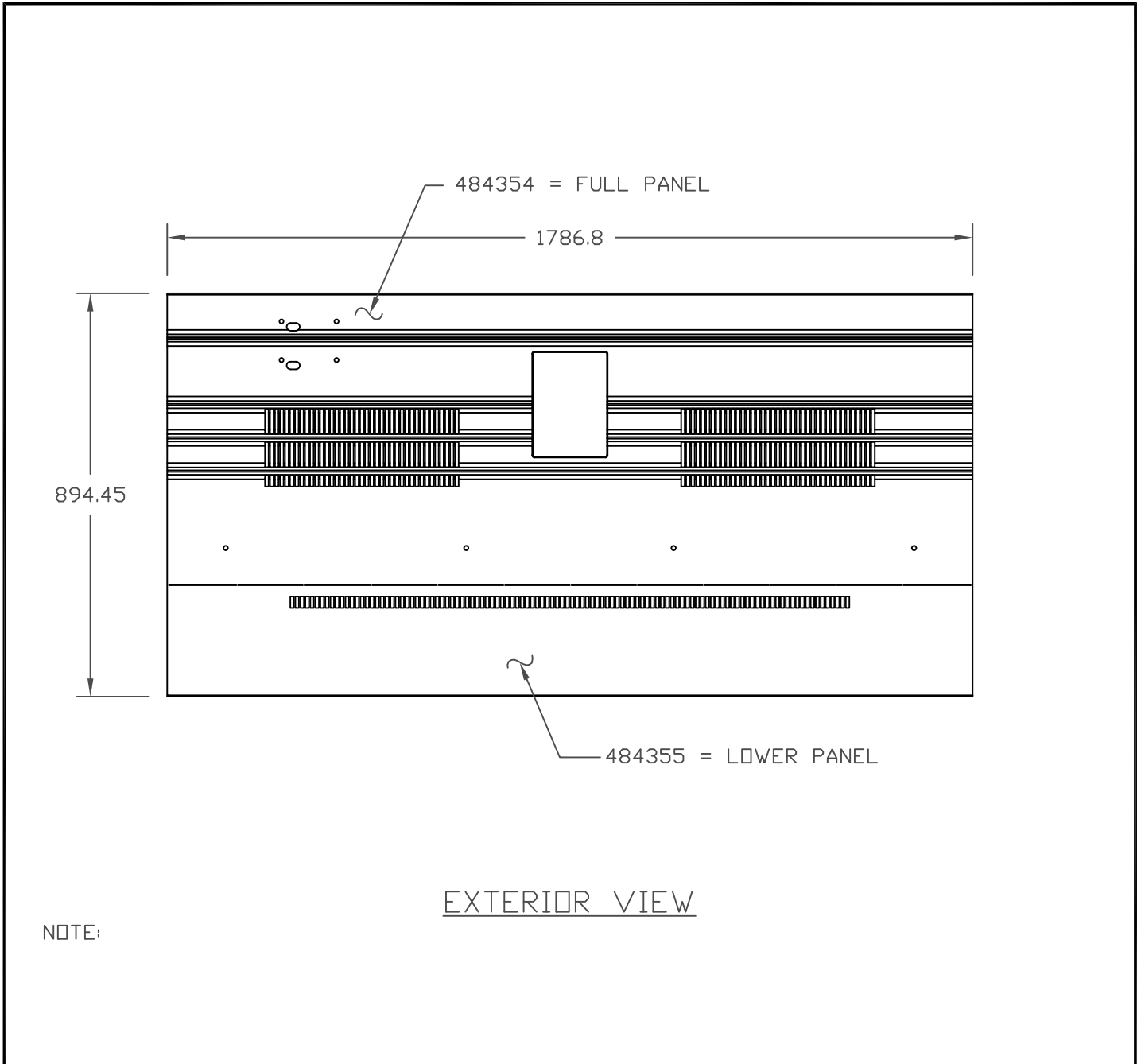
TOTAL PERFORATED AREA: 0.53 f ²	EFF : D-5460	DOOR ASSY ONLY IN SERVICE PART	N.A.
	PRIOR:		
DATE: 02-2013	WITH INSULATION	REFERENCE ONLY	484338
REV.: A	WITHOUT INSULATION		

PREVOST.



X3-VIP

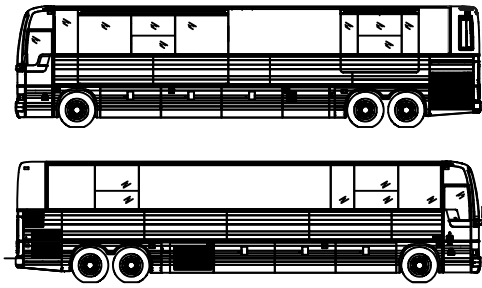
XL-II ENT.



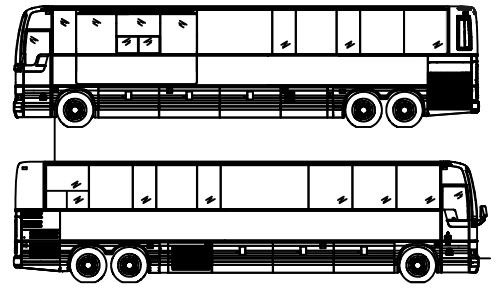
NOTE:

TOTAL PERFORATED AREA: 1.15 f ²	EFF : D-5460	DOOR ASSY ONLY IN SERVICE PART	N.A.
	PRIOR:		
DATE: 02-2013	WITH INSULATION	REFERENCE ONLY	484354
REV.: A	WITHOUT INSULATION		

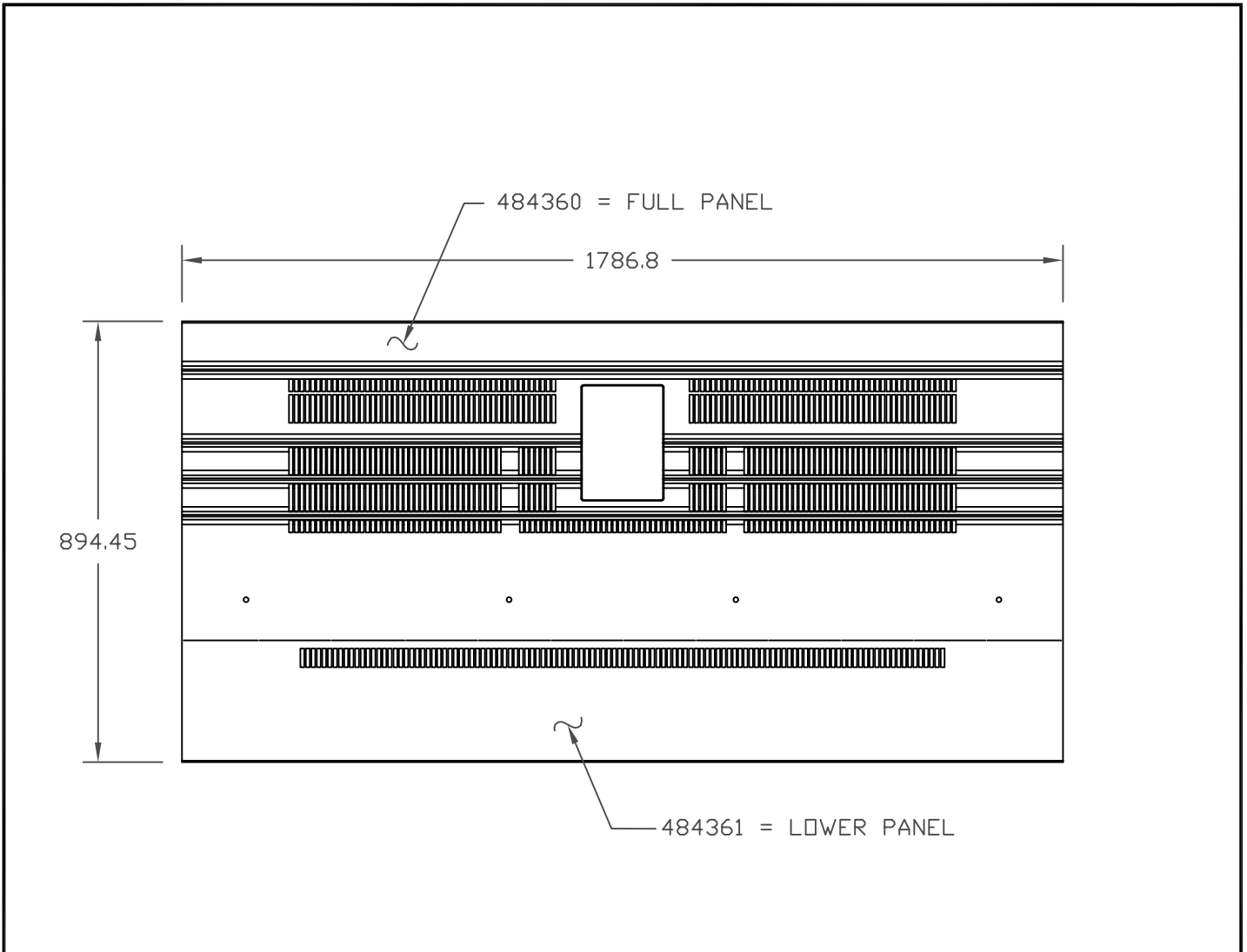
PREVOST



X3-VIP



XL-II ENT.

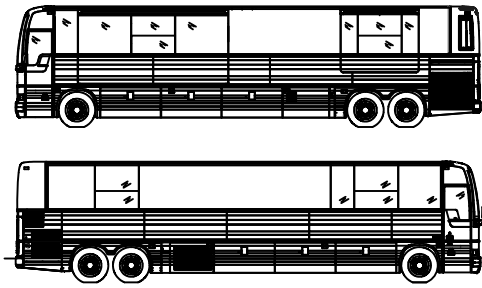


EXTERIOR VIEW

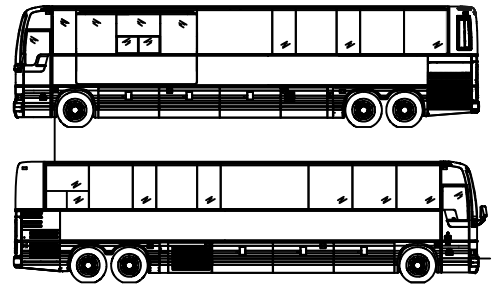
NOTE:

TOTAL PERFORATED AREA: 2.19 f ²	EFF : D-5460	DOOR ASSY ONLY IN SERVICE PART	N.A.
	PRIOR:		
DATE: 10-2013	WITH INSULATION	REFERENCE ONLY	484360
REV.: A	WITHOUT INSULATION		

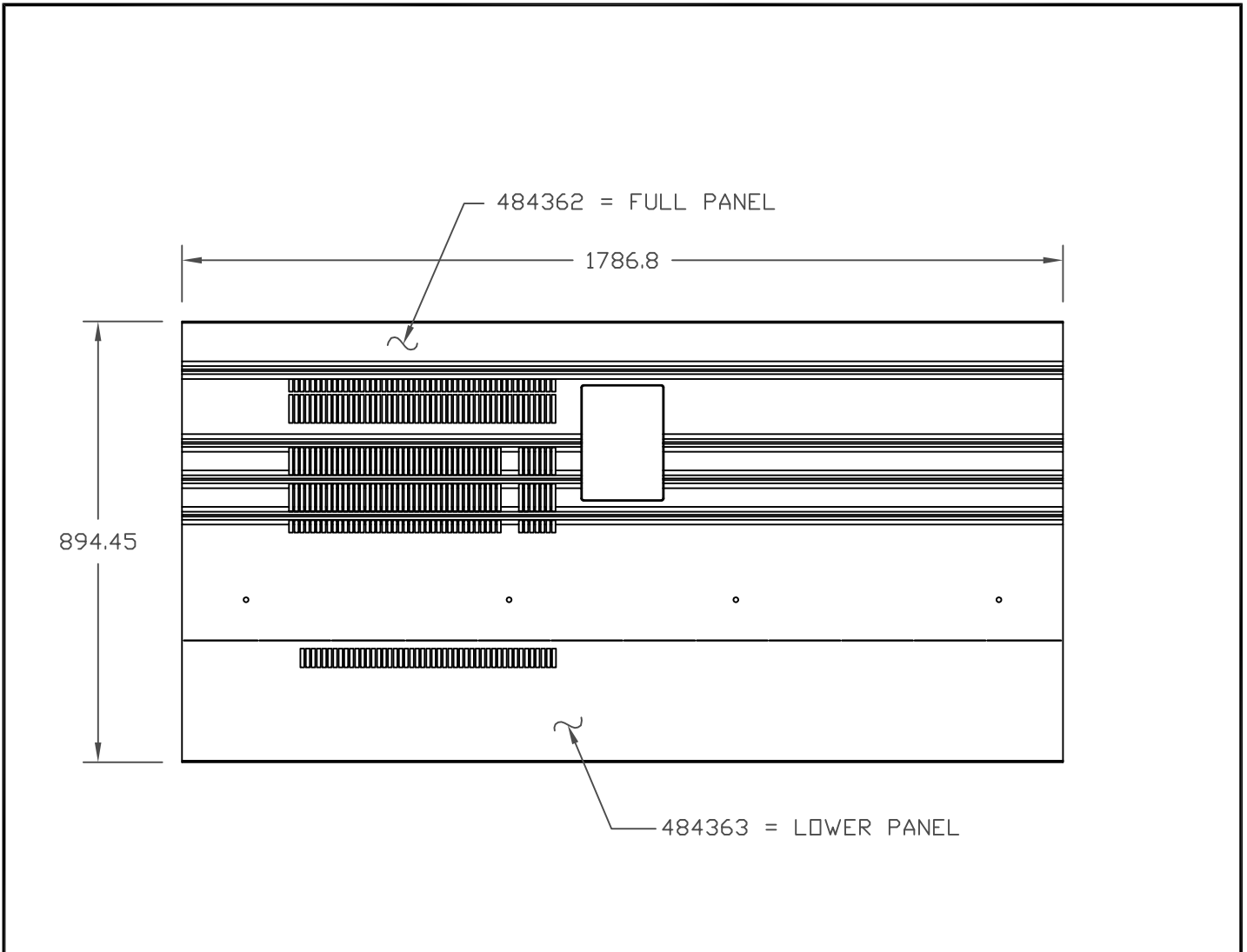
PREVOST



X3-VIP



XL-II ENT.

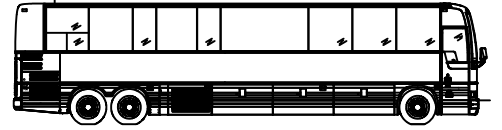
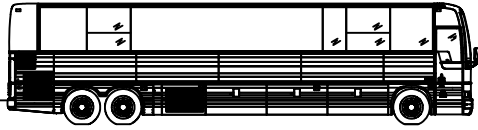
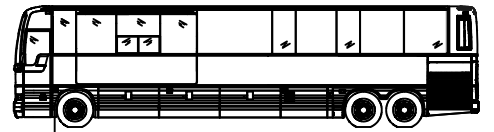
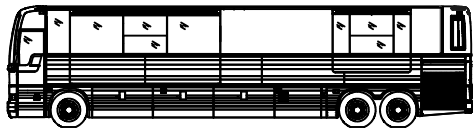


EXTERIOR VIEW

NOTE:

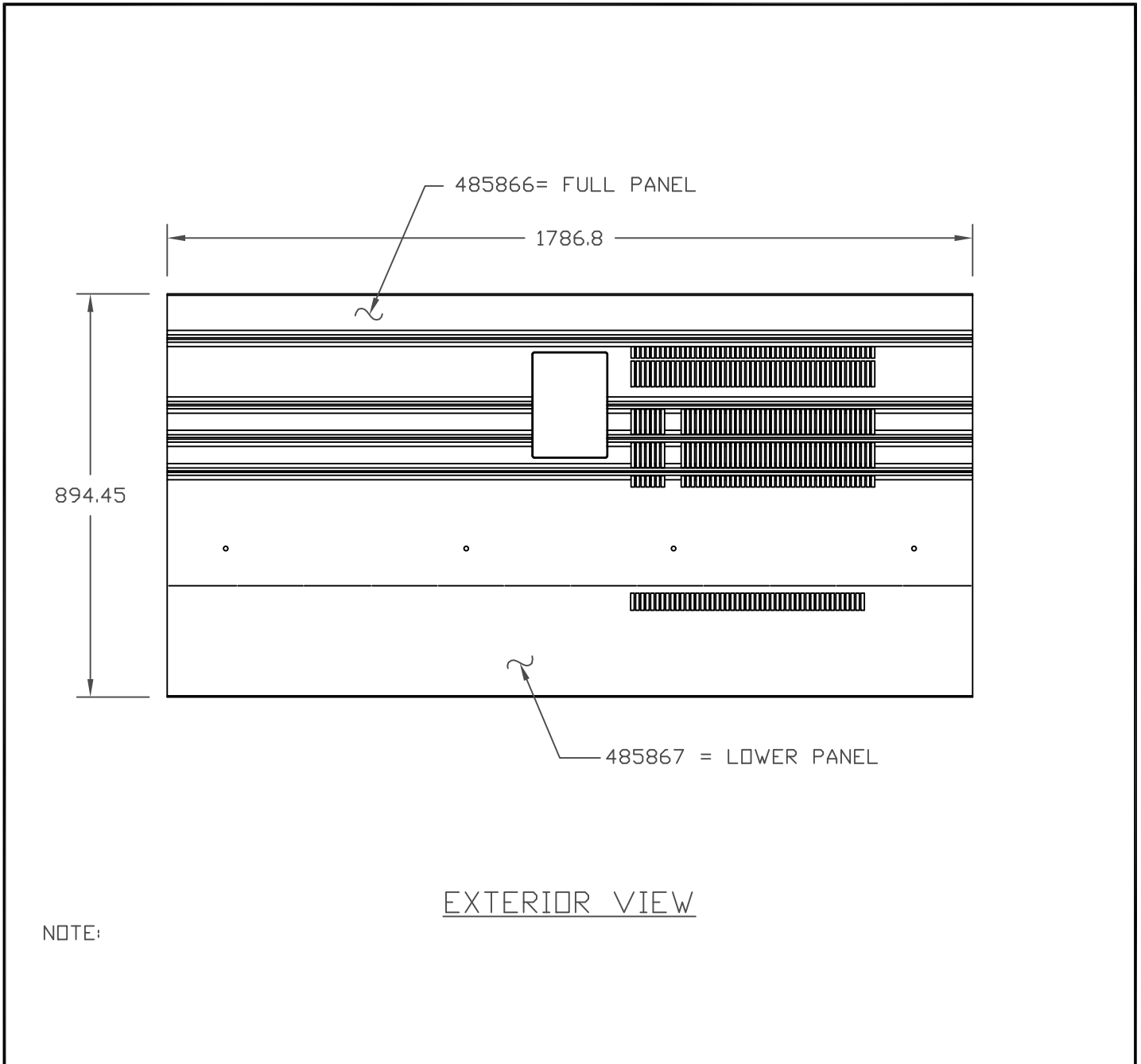
TOTAL PERFORATED AREA: 1.03 f ²	EFF : D-5460	DOOR ASSY ONLY IN SERVICE PART	N.A.
	PRIOR:		
DATE: 10-2013	WITH INSULATION	REFERENCE ONLY	484362
REV.: A	WITHOUT INSULATION		

PREVOST



X3-VIP

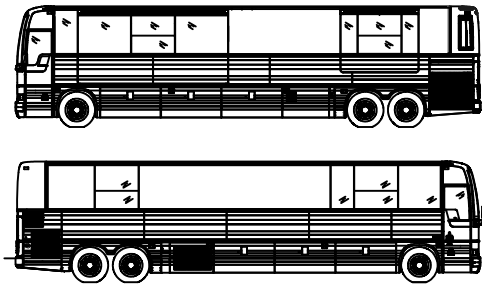
XL-II ENT.



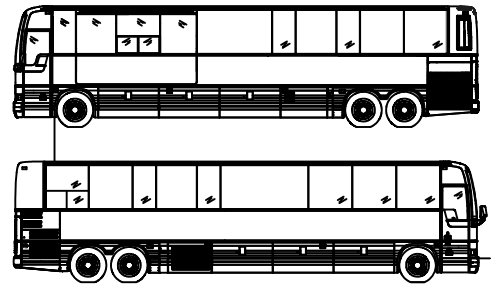
NOTE:

TOTAL PERFORATED AREA: 1.20 f ²	EFF : D-5460	DOOR ASSY ONLY IN SERVICE PART	N.A.
	PRIOR:		
DATE: 02-2015	WITH INSULATION	REFERENCE ONLY	485866
REV.: B	WITHOUT INSULATION		

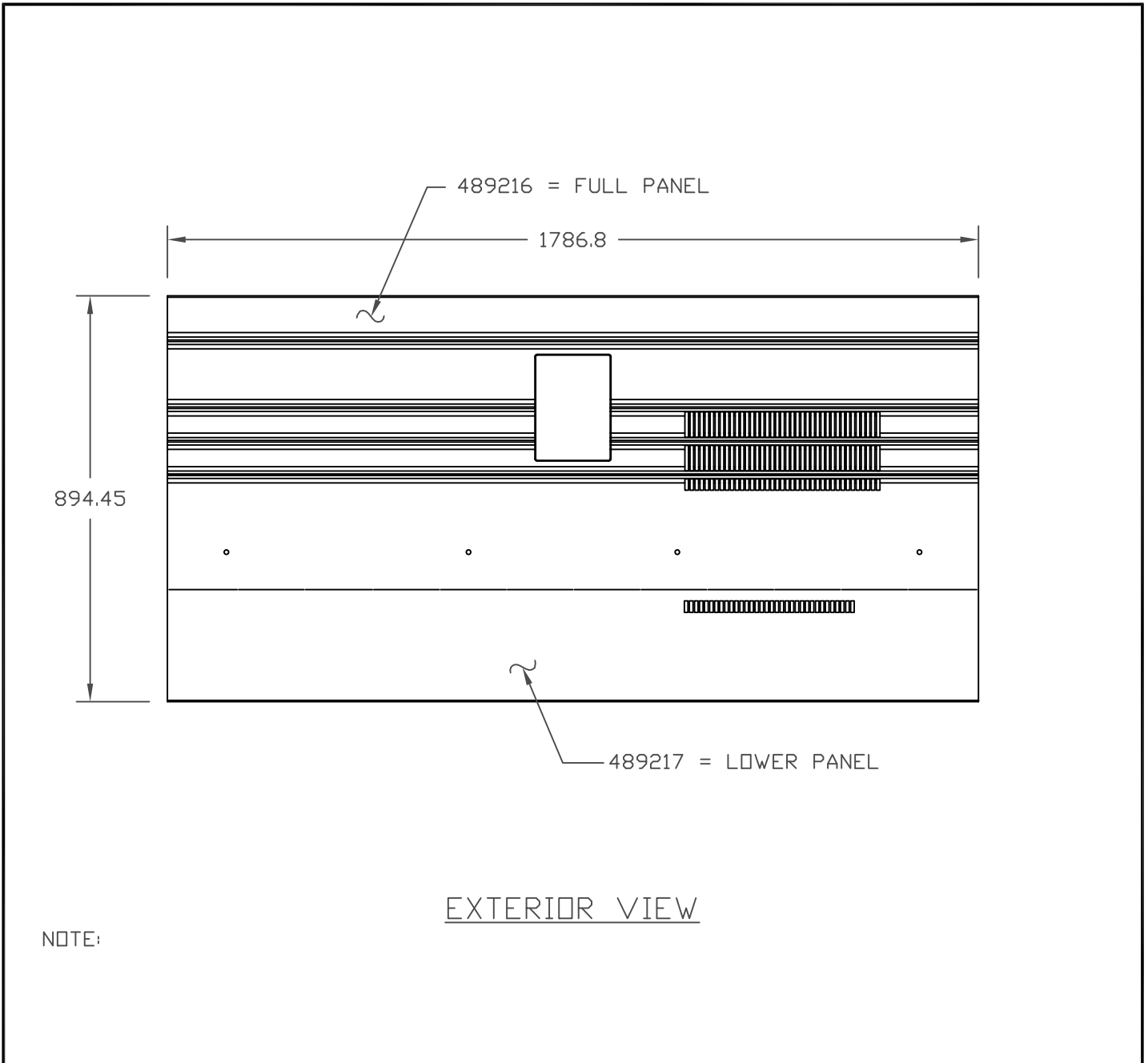
PREVOST



X3-VIP



XL-II ENT.



EXTERIOR VIEW

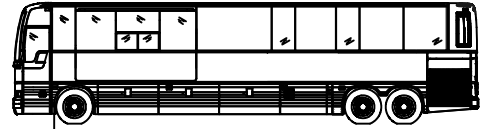
NOTE:

TOTAL PERFORATED AREA: 0.53 f ²	EFF : D-5460	DOOR ASSY ONLY IN SERVICE PART	N.A.
	PRIOR:		
DATE: 10-2013	WITH INSULATION	REFERENCE ONLY	489216
REV.: B	WITHOUT INSULATION		

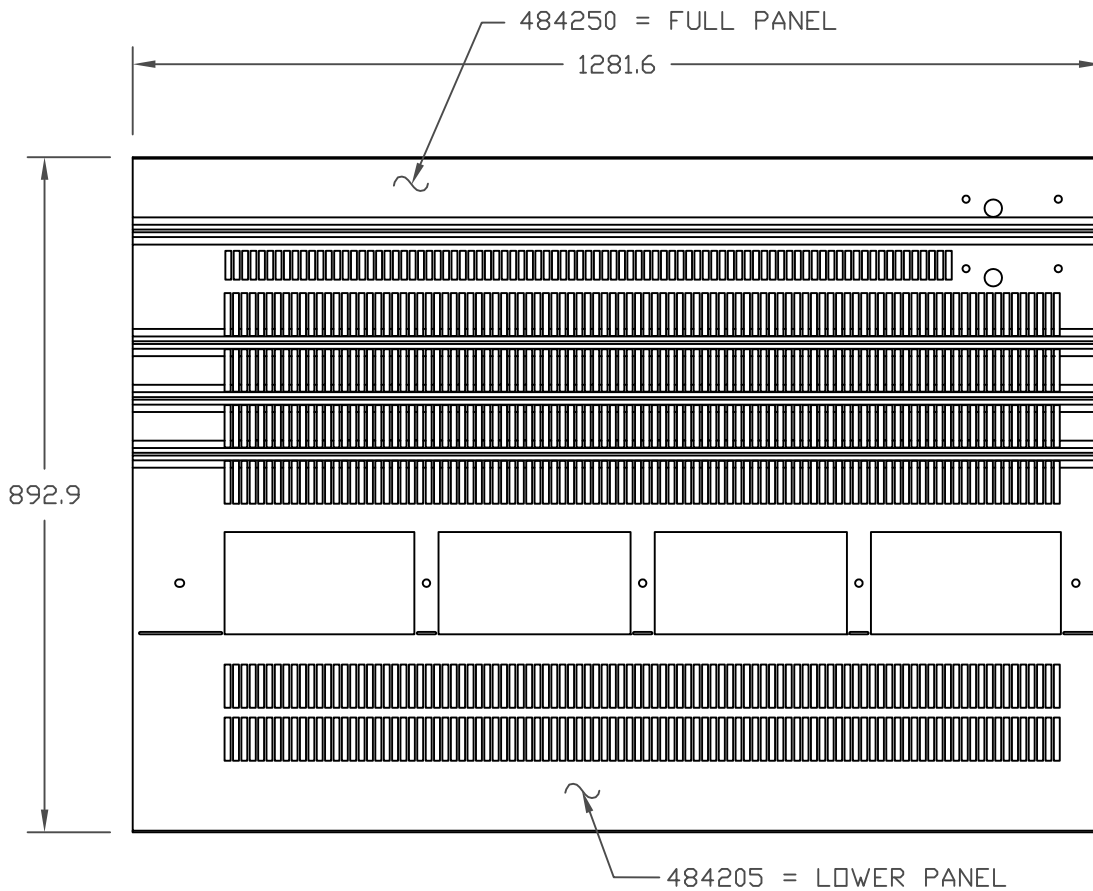
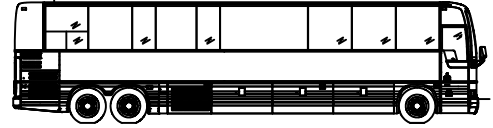
PREVOST



X3-VIP



XL-II ENT.



EXTERIOR VIEW

NOTE:

**4TH DOOR RH
WITH SMALL A/C**

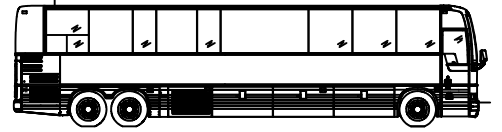
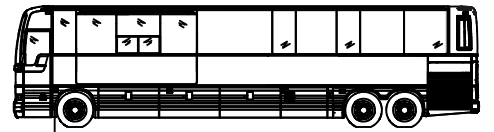
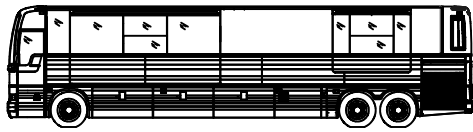
**TOTAL PERFORATED
AREA: 3.20 f²**

EFF : B-5003	DOOR ASSY ONLY IN SERVICE PART		N.A.
WITH INSULATION	REFERENCE ONLY		484250
WITHOUT INSULATION			

DATE: 09-2011

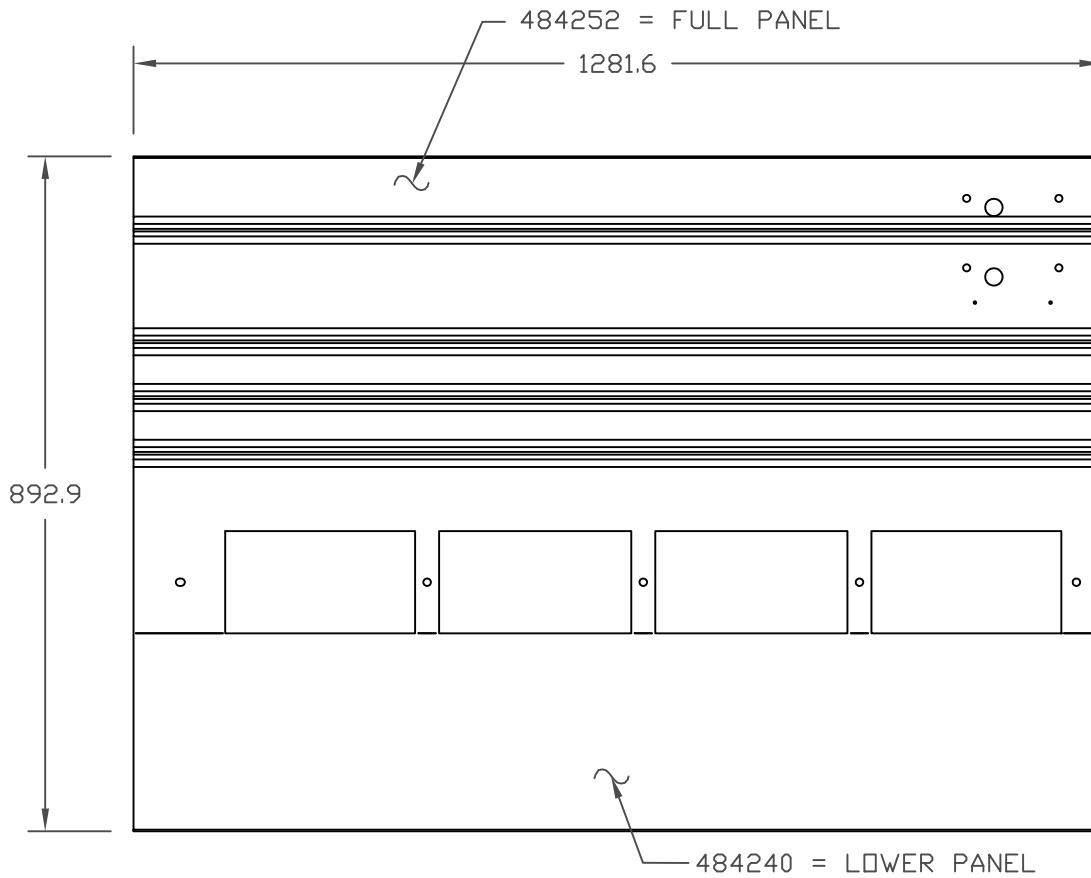
REV. :

PREVOST



X3-VIP

XL-II ENT.



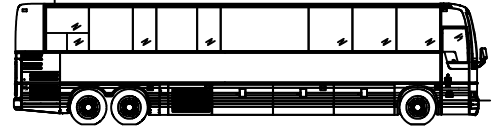
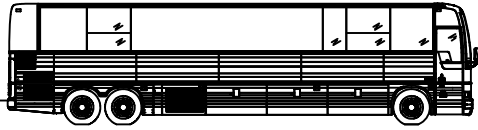
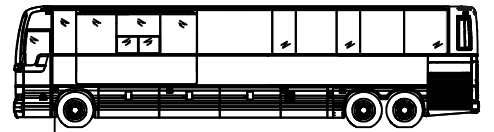
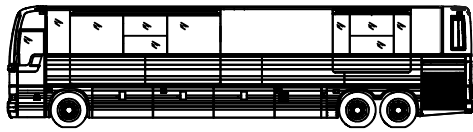
EXTERIOR VIEW

NOTE:

**4TH DOOR RH
WITH SMALL A/C**

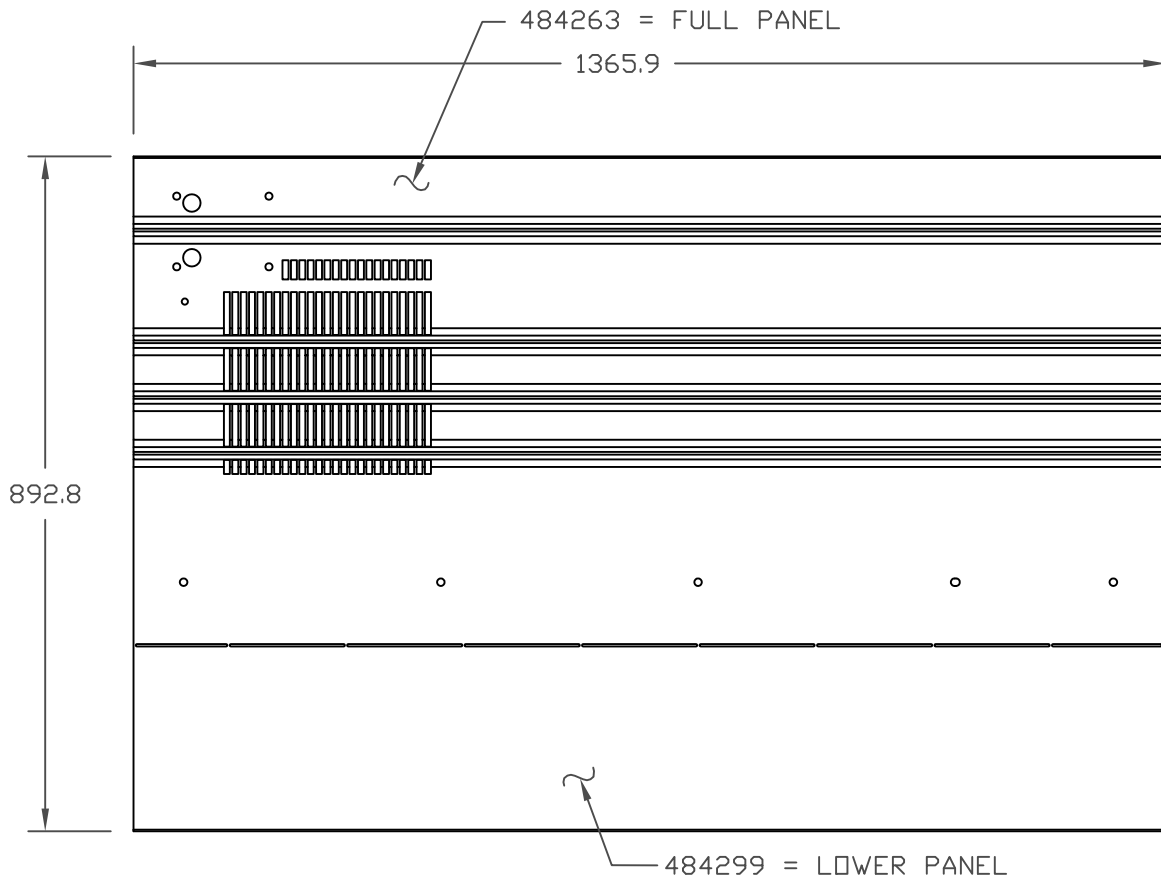
TOTAL PERFORATED AREA: 0 f ²	EFF : B-5003	DOOR ASSY ONLY IN SERVICE PART	N.A.
	PRIOR:		
DATE: 12-2012	WITH INSULATION	REFERENCE ONLY	484252
REV.: C	WITHOUT INSULATION		

PREVOST



X3-VIP

XL-II ENT.



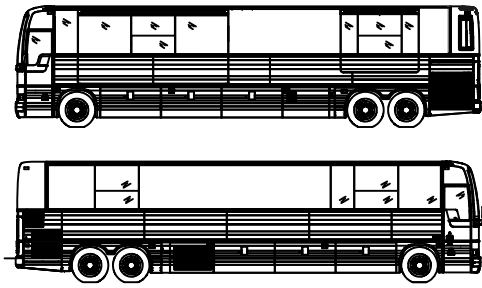
EXTERIOR VIEW

NOTE:

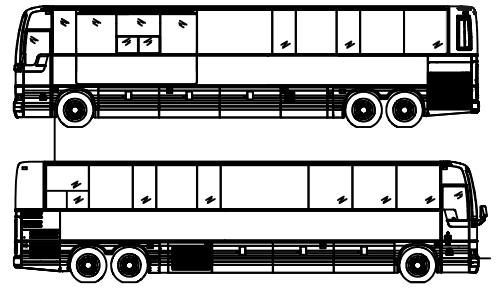
**4TH DOOR LH
WITH SMALL A/C**

TOTAL PERFORATED AREA: 0.44 f ²	EFF : C-5097	DOOR ASSY ONLY IN SERVICE PART	N.A.
	PRIOR:		
DATE: 12-2012	WITH INSULATION	REFERENCE ONLY	484263
REV.: B	WITHOUT INSULATION		

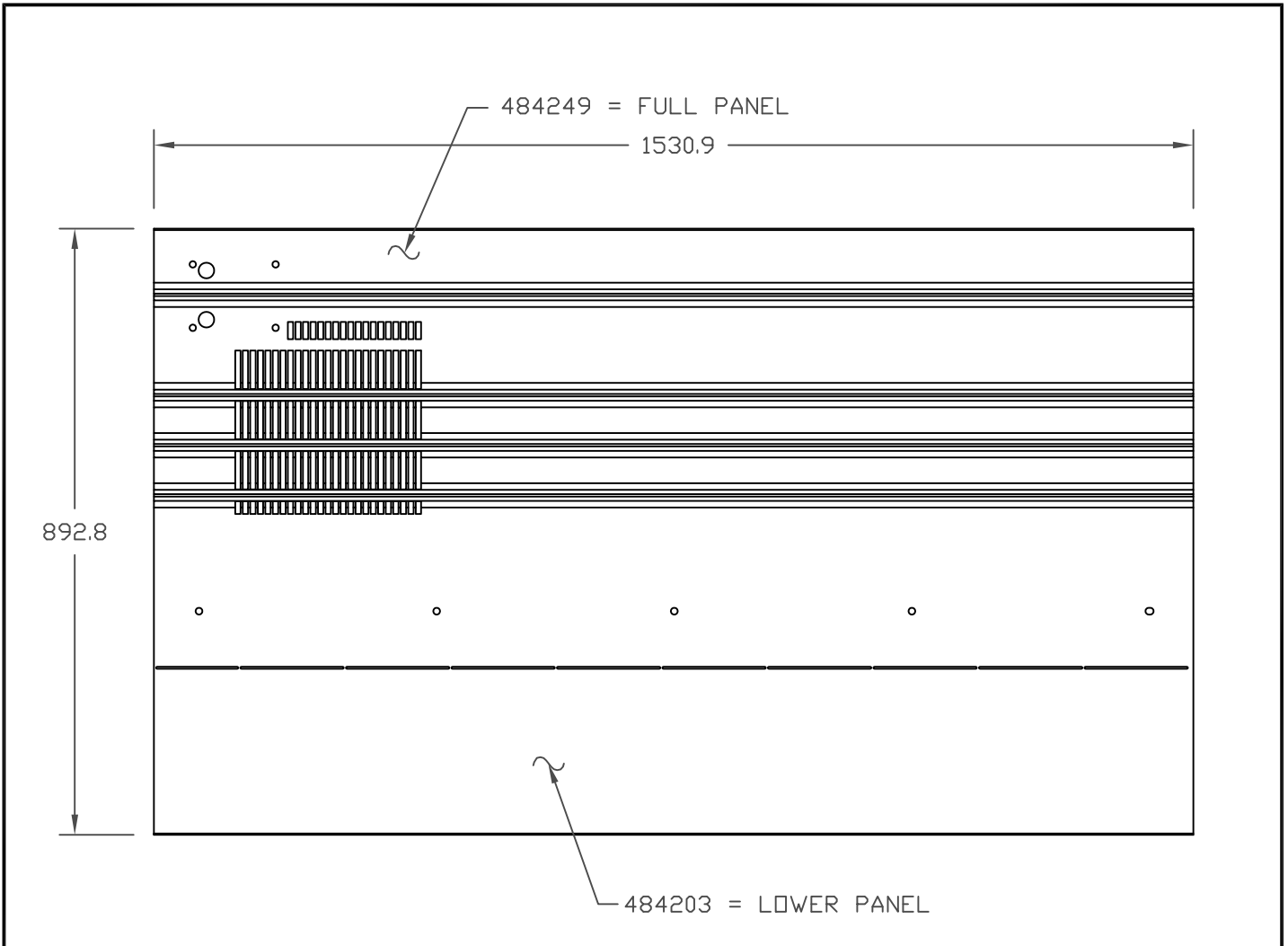
PREVOST.



X3-VIP



XL-II ENT.



EXTERIOR VIEW

NOTE:

**4TH DOOR LH
WITH SMALL A/C**

TOTAL PERFORATED AREA: 0.44 f ²	EFF : B-5003	DOOR ASSY ONLY IN SERVICE PART	N.A.
	PRIOR:		
DATE: 11-2010	WITH INSULATION	REFERENCE ONLY	484249
REV.: B	WITHOUT INSULATION		