

# PREVOST COACH MANUFACTURER

## OPERATOR'S MANUAL X3 COACHES



**PA1542** revised 2023/06/16

revised 2023/06/16: light bulb data table removed

# Table of Contents **i**

<b>FOREWORD</b> .....	1	PNEUMATIC ISRI SEAT	16
<b>SAFETY PRECAUTIONS</b> .....	2	SAFETY BELTS	17
<b>SAFE OPERATING PRACTICES</b> .....	2	<b>TOUR GUIDE SEAT</b> .....	18
<b>DEFENSIVE DRIVING PRACTICES</b> .....	2	<b>MICROPHONE JACKS</b> .....	18
<b>OTHER PRECAUTIONS</b> .....	3	<b>PASSENGER SEATS</b> .....	18
<b>COACH EXTERIOR</b> .....	4	SWIVEL SEATS .....	18
<b>ENGINE COMPARTMENT COMPONENTS</b> ....	5	FOLDING TRAYS.....	18
<b>ENGINE COMPARTMENT</b> .....	6	CARD TABLES .....	19
ENGINE COMPARTMENT CURB-SIDE DOOR	6	QUICK-LOUNGE SYSTEM .....	19
ENGINE COMPARTMENT REAR DOORS.....	6	<b>OVERHEAD CONSOLE</b> .....	19
<b>ENGINE RADIATOR DOOR</b> .....	7	ADJUSTABLE AIR REGISTERS.....	20
<b>CONDENSER COMPARTMENT (A/C)</b> .....	7	SERVICE BELL.....	20
<b>EVAPORATOR COMPARTMENT</b> .....	8	READING LIGHTS .....	20
<b>FRONT ELECTRICAL AND SERVICE</b>		<b>WINDOWS</b> .....	20
<b>COMPARTMENT</b> .....	8	PANORAMIC WINDOWS .....	20
<b>REAR ELECTRICAL COMPARTMENT</b> .....	9	DRIVER'S POWER WINDOW.....	21
<b>BAGGAGE COMPARTMENTS</b> .....	9	<b>VENTILATION HATCH</b> .....	21
<b>SPARE WHEEL COMPARTMENT</b> .....	10	<b>OVERHEAD COMPARTMENTS</b> .....	21
<b>FUEL FILLER DOOR</b> .....	11	<b>WASTE CONTAINER</b> .....	22
<b>ENTRANCE DOOR</b> .....	11	<b>GALLEY</b> .....	22
DOOR OPERATION LOGIC .....	12	<b>LAVATORY</b> .....	22
EMERGENCY ENTRANCE DOOR OPENING	12	<b>CONTROLS AND INSTRUMENTS ...</b>	23
<b>WHEELCHAIR LIFT ACCESS DOORS</b> .....	12	<b>KEYS</b> .....	23
<b>REAR VIEW MIRRORS</b> .....	12	IGNITION KEY .....	23
<b>BACK-UP CAMERA</b> .....	13	ENTRANCE DOOR AND EXTERIOR	
<b>110-120 VOLTS CONNECTOR</b> .....	13	COMPARTMENT DOORS KEY .....	23
<b>HUBODOMETER</b> .....	13	UTILITY COMPARTMENTS KEY.....	23
<b>COACH INTERIOR</b> .....	14	LAVATORY DOOR KEY .....	23
<b>ELECTRONIC DESTINATION SIGN</b> .....	14	UTILITY AND VIDEO COMPARTMENT KEY	23
<b>UTILITY COMPARTMENTS</b> .....	14	HAND TOWEL DISPENSER KEY.....	23
<b>STEERING WHEEL ADJUSTMENT</b> .....	14	TV MONITOR KEY .....	24
<b>AISLE MIRROR</b> .....	14	<b>IGNITION SWITCH</b> .....	24
<b>ADJUSTABLE HVAC REGISTERS</b> .....	14	<b>LATERAL CONTROL PANEL</b> .....	26
<b>DRIVER'S SEAT – ISRI</b> .....	15	TRANSMISSION CONTROL PAD .....	27
MECHANICAL ISRI SEAT.....	15	CRUISE CONTROL SWITCHES.....	27
		POWER WINDOW SWITCH .....	28
		MIRROR CONTROLS .....	28
		TAG AXLE CONTROL VALVE .....	28

## ii Table of Contents

---

PARKING BRAKES CONTROL VALVE.....	28	RANGE SELECTOR KEYPAD.....	49
COOLANT HEATER TIMER .....	28	INDICATOR LIGHT .....	49
LOW BUOY CONTROL VALVE .....	28	DISPLAY .....	49
CIGARETTE LIGHTER .....	29	ACCELERATOR PEDAL.....	50
ASHTRAY .....	29	AUTOMATIC MODE.....	50
UTILITY COMPARTMENT .....	29	MANUAL MODE.....	50
12-VOLT APPLIANCES SOCKET.....	29	EASY START SYSTEM .....	50
TRAILER AIR SUPPLY CONTROL VALVE .....	29	DRIVING TIPS .....	50
<b>EMERGENCY/PARKING BRAKES</b>		STARTING THE ENGINE .....	50
<b>OVERRULE CONTROL VALVE .....</b>	<b>29</b>	SETTING OFF, FORWARD TRAVEL .....	51
<b>BACK-UP CAMERA MONITOR.....</b>	<b>29</b>	CORRECTING THE STARTING GEAR.....	51
<b>SCENIC VIEWING SYSTEM CAMERA .....</b>	<b>29</b>	MANEUVERING MODE .....	51
<b>DIAGNOSTIC DATA READER (DDR)</b>		STARTING TO ROLL ON SLOPES .....	51
<b>RECEPTACLE.....</b>	<b>29</b>	CHANGING BETWEEN MANUAL MODE	
<b>DASHBOARD.....</b>	<b>30</b>	AND AUTOMATIC MODE .....	52
CONTROL SWITCHES .....	31	CHANGING GEAR.....	52
L.H. DASHBOARD PANEL .....	31	REVERSING .....	53
R.H. DASHBOARD PANEL.....	34	CHANGING DIRECTION OF TRAVEL	
AIR VENTS .....	38	(FORWARD / REVERSE) .....	53
<b>INSTRUMENT CLUSTER.....</b>	<b>38</b>	STOPPING VEHICLE .....	54
MESSAGE CENTER DISPLAY (MCD) .....	38	TOWING.....	54
DASHBOARD GAUGES .....	38	SWITCHING OFF ENGINE / PARKING	
<b>TELLTALE PANEL.....</b>	<b>40</b>	VEHICLE .....	54
<b>STEERING COLUMN CONTROLS.....</b>	<b>44</b>	CLUTCH PROTECTION .....	54
MULTI-FUNCTION LEVER .....	44	ENGINE OVERSPEED PROTECTION .....	55
<b>HORN.....</b>	<b>45</b>	ZF-ASTRONIC DISPLAY .....	55
ELECTRIC HORN .....	45		
AIR HORN.....	45	<b>OTHER FEATURES .....</b>	<b>57</b>
<b>ALLISON TRANSMISSION RETARDER.....</b>	<b>45</b>	<b>DETROIT DIESEL ELECTRONIC</b>	
OPERATING THE TRANSMISSION OUTPUT		<b>CONTROL (DDEC) SYSTEM.....</b>	<b>57</b>
RETARDER.....	46	<b>DEC V ELECTRONIC CONTROL</b>	
<b>FOOT-OPERATED CONTROLS.....</b>	<b>46</b>	<b>MODULE (ECM).....</b>	<b>58</b>
BRAKE PEDAL .....	46	<b>MESSAGE CENTER DISPLAY (MCD).....</b>	<b>58</b>
ACCELERATOR PEDAL.....	47	<b>DRIVING MODE MENU .....</b>	<b>59</b>
<b>ALLISON AUTOMATIC TRANSMISSION .....</b>	<b>47</b>	GAUGE MODE MENU .....	59
OPERATION .....	47	FUEL ECONOMY MENU .....	59
MODE.....	47	TIME / DIST MENU .....	59
DESCRIPTION OF AVAILABLE RANGES.....	48	FAULT ? MENU (Fault messages).....	60
<b>ZF-ASTRONIC AUTOMATIC</b>		<b>NON-DRIVING MODE MENU .....</b>	<b>60</b>
<b>TRANSMISSION.....</b>	<b>49</b>	SET UP MODE MENU .....	60
		SYSTEM DIAGNOSTIC MENU .....	62



<p>FAULT DIAGNOSTIC MENU .....63</p> <p>PART NUMBER .....64</p> <p>STATUS TEST .....64</p> <p>DATA LOG MODE MENU .....65</p> <p>PASSWORDS .....65</p> <p><b>PRODRIVER™ .....66</b></p> <p><b>ALLISON TRANSMISSION CONTROL MODULE (TCM) .....66</b></p> <p><b>ALLISON TRANSMISSION RETARDER.....66</b></p> <p><b>JACOBS ENGINE BRAKE.....67</b></p> <p><b>ANTILOCK BRAKING SYSTEM (ABS).....67</b></p> <p><b>DRIVER CONTROLLED DIFFERENTIAL LOCK (DCDL).....67</b></p> <p style="padding-left: 20px;">OPERATION TIPS .....67</p> <p style="padding-left: 20px;">LOCKING THE DCDL .....68</p> <p style="padding-left: 20px;">UNLOCKING THE DCDL .....68</p> <p><b>KNEELING SYSTEM.....68</b></p> <p><b>HI-BUOY .....68</b></p> <p><b>LOW-BUOY .....69</b></p> <p><b>UNLOADING TAG AXLE .....69</b></p> <p><b>RETRACTABLE TAG AXLE.....69</b></p> <p><b>IN-STATION LIGHTING .....69</b></p> <p><b>COOLANT HEATER.....69</b></p> <p style="padding-left: 20px;">SWITCHING THE HEATER ON.....69</p> <p style="padding-left: 20px;">SWITCHING THE HEATER OFF .....70</p> <p style="padding-left: 20px;">COOLANT HEATER TIMER .....70</p> <p style="padding-left: 20px;">TROUBLESHOOTING AND MAINTENANCE...72</p> <p><b>WHEELCHAIR LIFT SYSTEM .....73</b></p> <p style="padding-left: 20px;">WHEELCHAIR LIFT AND ACCESS DOORS....73</p> <p style="padding-left: 20px;">OPERATING THE WHEELCHAIR LIFT .....73</p> <p style="padding-left: 20px;">THRESHOLD WARNING SYSTEM (TWS) ADJUSTMENT .....74</p> <p style="padding-left: 20px;">INTERIOR APPOINTMENTS .....75</p> <p style="padding-left: 20px;">EMERGENCY OPERATION .....77</p> <p style="padding-left: 20px;">WHEELCHAIR LIFT REMOVAL FOR STORING OR MAINTENANCE PURPOSES .....78</p> <p style="padding-left: 20px;">WHEELCHAIR LIFT INSTALLATION.....79</p> <p><b>STARTING AND STOPPING PROCEDURES..... 80</b></p>	<p><b>STARTING THE ENGINE .....80</b></p> <p style="padding-left: 20px;">STARTING FROM THE DRIVER'S SEAT .....80</p> <p style="padding-left: 20px;">STARTING FROM THE ENGINE COMPARTMENT .....80</p> <p style="padding-left: 20px;">COLD WEATHER STARTING .....81</p> <p style="padding-left: 20px;">JUMP STARTING.....81</p> <p><b>ENGINE BLOCK HEATER .....83</b></p> <p><b>ENGINE WARM-UP .....83</b></p> <p><b>ALLISON TRANSMISSION WARM-UP.....83</b></p> <p><b>ZF-ASTRONIC TRANSMISSION – STARTING THE VEHICLE AT LOW TEMPERATURES..83</b></p> <p><b>SAFETY FEATURES AND EQUIPMENT ..... 84</b></p> <p><b>EMERGENCY EXITS .....84</b></p> <p style="padding-left: 20px;">SIDE WINDOWS .....84</p> <p style="padding-left: 20px;">ROOF HATCH.....84</p> <p style="padding-left: 20px;">EMERGENCY ENTRANCE DOOR OPENING .85</p> <p><b>EMERGENCY EQUIPMENT .....85</b></p> <p style="padding-left: 20px;">FIRE EXTINGUISHERS .....85</p> <p style="padding-left: 20px;">FIRST AID KIT .....86</p> <p style="padding-left: 20px;">FIRE HATCHET .....86</p> <p style="padding-left: 20px;">WARNING REFLECTORS .....86</p> <p style="padding-left: 20px;">JACK AND TOOLS.....86</p> <p style="padding-left: 20px;">SPARE PARTS KIT.....86</p> <p style="padding-left: 20px;">LIMP-HOME BELT .....86</p> <p><b>SPARE WHEEL AND TIRE .....87</b></p> <p style="padding-left: 20px;">CHANGING A WHEEL .....87</p> <p><b>JACKING POINTS .....88</b></p> <p style="padding-left: 20px;">HYDRAULIC JACK.....89</p> <p><b>TOWING .....89</b></p> <p><b>EMERGENCY AIR-FILL VALVES .....89</b></p> <p><b>EMERGENCY AND PARKING BRAKES .....90</b></p> <p><b>DAYTIME RUNNING LIGHTS.....91</b></p> <p><b>FOG LIGHTS .....91</b></p> <p><b>COMPARTMENT LIGHTING .....91</b></p> <p><b>MUD FLAPS AND SPLASH GUARDS.....91</b></p> <p><b>BACK-UP CAMERA.....91</b></p> <p><b>BACK-UP ALARM .....91</b></p>
--	---

## iv Table of Contents

---

<b>AUDIBLE ALERTS.....</b>	<b>92</b>	A/C AND HEATING SYSTEM AIR FILTERS...	103
<b>CARE AND MAINTENANCE.....</b>	<b>94</b>	DRIVER'S AREA AIR FILTERS .....	104
<b>CLEANING.....</b>	<b>94</b>	PASSENGERS AREA AIR FILTER.....	104
SEAT UPHOLSTERY.....	94	HOSE INSPECTION .....	104
PLASTIC AND VINYL.....	95	LUBRICATION .....	104
WINDOWS .....	95	<b>ROUTINE INSPECTION.....</b>	<b>105</b>
STAINLESS STEEL .....	95	WITH ENGINE STOPPED .....	105
FORMICA.....	95	WITH ENGINE RUNNING.....	106
CARPET.....	95	<b>EXTERIOR LIGHTING VERIFICATION.....</b>	<b>107</b>
RUBBER COMPONENTS.....	95	<b>FIRST SERVICE ON NEW VEHICLE .....</b>	<b>108</b>
FLOOR CLEANING.....	95	ENGINE OIL.....	108
EXTERIOR SURFACES.....	95	ALLISON AUTOMATIC TRANSMISSION FLUID FILTER.....	108
WINDSHIELD.....	96	COOLANT SYSTEM STRAINER .....	108
<b>LAVATORY MAINTENANCE.....</b>	<b>96</b>	<b>GENERAL RECOMMENDATIONS.....</b>	<b>108</b>
FRESH WATER RESERVOIR .....	96	<b>WALK-AROUND INSPECTION (BEFORE EVERY TRIP).....</b>	<b>109</b>
CLEANING CABINET.....	97	<b>ENGINE TROUBLESHOOTING GUIDE.....</b>	<b>112</b>
FILLING THE MAIN SUMP TANK.....	97	<b>TECHNICAL INFORMATION .....</b>	<b>114</b>
DRAINING THE MAIN SUMP TANK.....	97	<b>DIMENSIONS AND WEIGHTS .....</b>	<b>116</b>
DRAINING THE AUXILIARY SUMP TANK.....	97	<b>CAPACITIES .....</b>	<b>116</b>
<b>FLUID LEVEL VERIFICATION.....</b>	<b>98</b>	<b>FUEL TYPE .....</b>	<b>116</b>
ENGINE OIL LEVEL.....	98	<b>WHEELS AND TIRES .....</b>	<b>116</b>
TRANSMISSION OIL LEVEL .....	98	RECOMMENDED TIRE INFLATION PRESSURE AT MAXIMUM COLD LOAD .....	116
ALLISON AUTOMATIC TRANSMISSION OIL LEVEL .....	98	<b>BELTS .....</b>	<b>117</b>
ZF-ASTRONIC TRANSMISSION OIL LEVEL .....	99	<b>ENGINE .....</b>	<b>117</b>
POWER STEERING FLUID LEVEL .....	100	<b>TRANSMISSION .....</b>	<b>117</b>
RADIATOR FAN GEARBOX OIL LEVEL .....	100	ALLISON TRANSMISSION.....	117
DRIVE AXLE WHEEL BEARING OIL LEVEL..	101	ZF-ASTRONIC TRANSMISSION .....	117
FRONT AND TAG AXLE WHEEL HUBS .....	101	<b>BRAKES.....</b>	<b>117</b>
COOLANT FLUID LEVEL.....	101	BRAKE CHAMBER EFFECTIVE AREA.....	117
WINDSHIELD WASHER & HEADLIGHTS WASHER RESERVOIRS .....	101	<b>AIR SYSTEM .....</b>	<b>117</b>
<b>OTHER VERIFICATIONS.....</b>	<b>101</b>	<b>ANTILOCK BRAKING SYSTEM (ABS).....</b>	<b>117</b>
AIR TANK PURGE .....	101	TROUBLESHOOTING AND TESTING .....	118
FIRE EXTINGUISHERS.....	102	<b>STEERING.....</b>	<b>118</b>
FUEL FILTER / WATER SEPARATOR.....	102	<b>ELECTRICAL SYSTEM .....</b>	<b>118</b>
BELT TENSION ADJUSTMENT.....	102	<b>SUSPENSION .....</b>	<b>118</b>
BACK-UP CAMERA.....	103	I-BEAM AXLE FRONT SUSPENSION .....	118
AIR FILTER RESTRICTION INDICATOR.....	103		

INDEPENDENT FRONT SUSPENSION ..... 118

DRIVE AXLE ..... 118

TAG AXLE ..... 118

**ALIGNMENT SPECIFICATIONS ..... 118**

**HEATING AND AIR CONDITIONING ..... 119**

**OIL SPECIFICATIONS ..... 119**

ENGINE..... 119

ALLISON TRANSMISSION ..... 119

ZF-ASTRONIC AUTOMATIC  
TRANSMISSION ..... 119

DIFFERENTIAL ..... 119

FAN GEARBOX..... 119

POWER STEERING RESERVOIR..... 120

**PRE-HEATING SYSTEM..... 120**

**DDEC V DIAGNOSTIC CODES ..... 121**

**DIAGNOSTIC TROUBLESHOOTING CODES  
(DTC) - ALLISON 4<sup>TH</sup> GENERATION  
CONTROLS ..... 131**

DIAGNOSTIC TROUBLESHOOTING CODES  
(DTC) OVERVIEW ..... 131

DIAGNOSTIC CODES – ALLISON 4<sup>TH</sup>  
GENERATION CONTROLS ..... 131

DIAGNOSTIC CODE DISPLAY AND CLEARING  
PROCEDURE - ALLISON 4<sup>TH</sup> GENERATION  
CONTROLS ..... 132

DIAGNOSTIC CODE RESPONSE ..... 133

ALLISON TRANSMISSION DIAGNOSTIC  
TROUBLESHOOTING CODES (DTC) AND  
DESCRIPTIONS..... 134

ALLISON TRANSMISSION OIL LEVEL  
CHECK USING THE PUSH-BUTTON  
SHIFT SELECTOR..... 137

**ZF-ASTRONIC TRANSMISSION SYSTEM  
FAULTS AND ERROR MESSAGES..... 137**

SYSTEM FAULTS (ERROR MESSAGES)..... 137

ERROR CODES..... 139

**LIGHT BULB DATA ..... 144**

**PLATES AND CERTIFICATION ..... 145**

SAFETY CERTIFICATION ..... 145

DOT CERTIFICATION PLATE ..... 146

EPA ENGINE LABEL ..... 146

**VEHICLE IDENTIFICATION  
NUMBER (VIN) ..... 146**

**COACH FINAL RECORD ..... 146**

**APPENDIX..... 147**

SERVICE LITERATURE..... 147

NOTICE ..... 148

**INDEX ..... 149**



This *Operator's Manual* for the PREVOST X3-45 coach has been prepared to thoroughly acquaint you, the driver, with the equipment and features of the coach in order for you to fully appreciate and safely enjoy this vehicle. Prevost Car Incorporated is committed to the continuous improvement of coach quality, reliability, durability and safety. With innovative features, the X3 series coach was designed with passenger and driver safety and comfort in mind.

This manual contains information available at the time of publication. Because standard and optional equipment is covered in this manual, some of the optional equipment described may not apply to your coach. If in doubt, refer to the technical documentation package provided with the coach.

Driver's controls and instruments incorporate advanced technology for enhanced driving ease and security. This manual describes the main features, instruments and controls, and servicing requirements for both standard and optional equipment. Read this manual carefully to take advantage of the coach's advanced features and to ensure optimum safety and passenger comfort.

Keep this manual in the coach at all times. Make sure this manual is kept with the coach when ownership is transferred. Please use the appropriate card at the end of this manual to promptly notify Prevost Car of any change of address or transfer of ownership. This will ensure we provide fast and reliable coach service to all coach operators.

**DANGER, WARNING, CAUTION** and *NOTE*. are used throughout this manual to emphasize important points when necessary:



## DANGER

Directs the operator's attention to unsafe practices which could result in serious personal injury or death.



## WARNING

Directs the operator's attention to unsafe practices which could result in serious personal injury or severe damage to the vehicle.



## CAUTION

Directs the operator's attention to unsafe practices where personal injury is not likely but damage to vehicle components could occur.

## *NOTE*

*Indicates supplementary information essential to the proper operation of the vehicle.*

The service life of the coach depends on the kind of attention it receives. Pay close attention to the **DANGER, WARNING, CAUTION** and *NOTE*. Read the various notices and instructions posted throughout the coach and attached to equipment.

Since continuous improvement is a primary focus at Prevost Car, we reserve the right to make changes anytime, without notice, and without incurring any obligation.

Before reproducing or copying this manual, in whole or in part, written consent must be obtained from Prevost Car Incorporated.

## 2 Safety Precautions

---

### SAFE OPERATING PRACTICES

To ensure safe and reliable operation, heed the following safety precautions.

- Operation and maintenance of the vehicle must be performed only by qualified personnel.
- Before driving, conduct a walk around inspection and check that all baggage compartment doors and equipment access doors are securely shut.
- Make sure good visibility is maintained at all times. Keep windshields clean and free of obstructions.
- Adjust the driver's seat so that all controls can be reached easily.
- Always wear your safety belt when driving.
- Check the instrument panel frequently. Do not operate the vehicle when dials or indicators do not indicate normal operating conditions.
- Always pay attention to pedestrians passing in front and behind the vehicle. Always yield to pedestrians at pedestrian walkways.
- Do not drive over obstacles on the road. Empty boxes, piles of leaves, and snowdrifts could conceal hidden dangers that could damage the vehicle suspension and underbody.
- When turning or changing lanes, signal your intention well in advance.
- When approaching to make a right turn, reduce the space between the vehicle and the curb to make sure another vehicle cannot pass on the right. Since the vehicle makes wide turns, allow enough space to make safe turns.
- Switch from high beams to low beams when meeting or following other vehicles within 500 feet (150 meters).
- Never leave the vehicle unattended with the engine running or with the key in the ignition. Turn off the engine, remove keys and apply the parking brake before leaving the vehicle.
- Shut-off the engine before refueling, adding oil, performing maintenance or servicing tasks, unless stated otherwise.

- Fuel is highly flammable and explosive. Do not smoke when refueling. Keep away from open flames or sparks.
- Do not run the engine or HVAC system with access doors left open. Close compartment doors before operating any equipment.
- Do not remove the surge tank filler cap or the cooling system pressure cap when the engine is hot. Let the engine cool down before removing filler caps.
- Do not attempt to push or pull-start the vehicle.
- The service life of the vehicle depends on the kind of maintenance it receives. Always record any problems and report them immediately to maintenance personnel.

### DEFENSIVE DRIVING PRACTICES

- For city driving, allow a four to six second travel interval between your vehicle and the vehicle ahead. Increase this travel interval to six to eight seconds for highway driving. Increase time interval for driving at night or in foul weather.
- Be prepared to stop when approaching an intersection. The stopping distance of the vehicle increases with the weight and speed.
- Establish eye-to-eye contact with other drivers and with pedestrians. Use, high beam and low beam headlights, turn signals and horn as needed.
- On highway, don't stare at the road ahead. Keep your eyes moving. Check mirrors and dashboard instruments frequently.
- To keep the vehicle from drifting across lanes during highway driving, always look over the horizon on the road ahead.
- Adjust your speed to road conditions, traffic and visibility. Never exceed the posted speed limits.
- If another vehicle is following close behind, reduce your speed to let the vehicle pass.
- For additional information about safe operation and defensive driving practices, contact the local department of motor vehicles authority.

## OTHER PRECAUTIONS



### **DANGER**

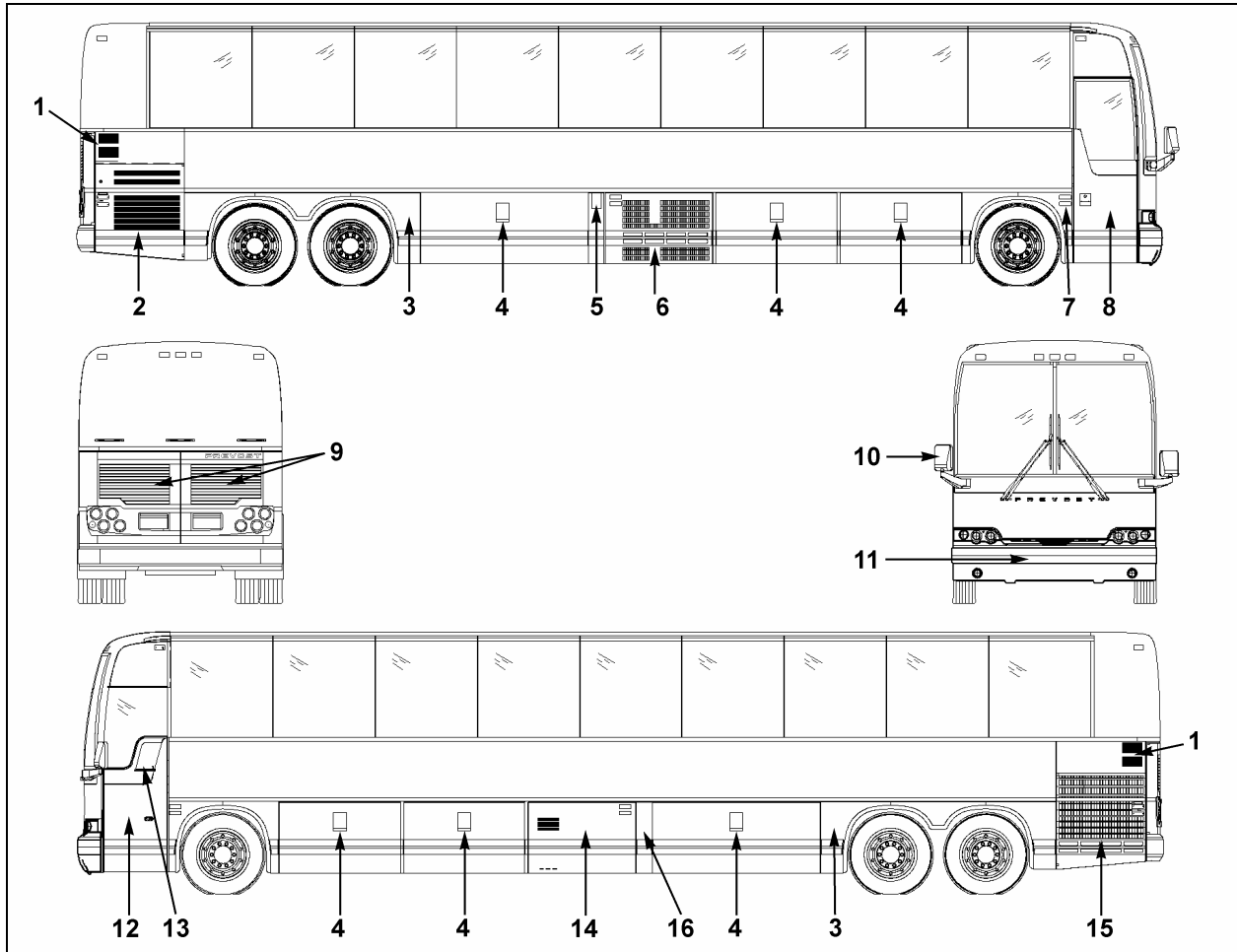
Make sure that electrical current or air pressure is removed before performing any work. A part may be energized even if the ignition switch is OFF. A part may be under pressure even if all tanks are empty. Before performing any work on the vehicle, refer to wiring diagrams and/or air schematics to thoroughly understand the system.



### **CAUTION**

Disconnect all electronic control modules before welding. If modules (ECM, TCM, ECU, ABS) are not disconnected before welding is done, there is a high risk of destroying the electronic components (EPROM, Chip). Refer to procedure described in Maintenance Manual.

## 4 Coach Exterior



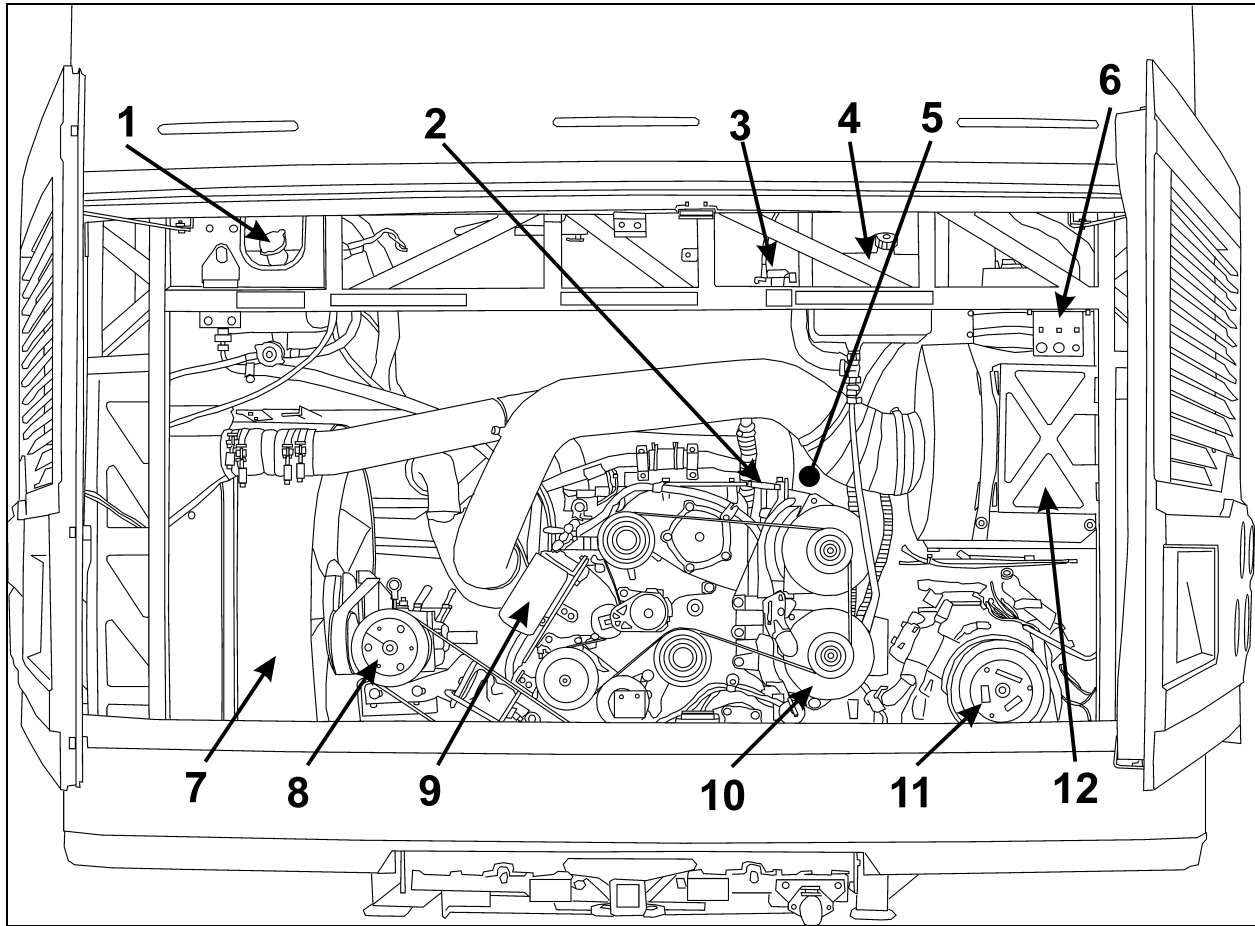
X3-45 EXTERIOR VIEW (TYPICAL)

18606

1. Engine air intake
2. Engine compartment curb-side door
3. Hinged rear fender
4. Baggage compartment
5. Fuel filler door
6. Condenser compartment
7. Entrance door control switch
8. Entrance door
9. Engine compartment rear doors
10. Rear-view mirrors
11. Spare wheel compartment
12. Front electrical and service compartment
13. Driver's power window
14. Evaporator compartment
15. Radiator door
16. Rear electrical compartment



**ENGINE COMPARTMENT COMPONENTS**



**ENGINE COMPARTMENT**

01166

- |   |  |
|---|--|
| <ol style="list-style-type: none"> <li>1. Coolant fluid surge tank;</li> <li>2. Engine oil dipstick;</li> <li>3. Belt tensioner control valve;</li> <li>4. Engine oil reserve tank;</li> <li>5. Hydraulic Fluid Reservoir;</li> <li>6. Starter selector switch and Engine rear start push-button switch, Engine Compartment Lights Switch;</li> </ol> | <ol style="list-style-type: none"> <li>7. Radiator;</li> <li>8. Radiator fan transfer gearbox;</li> <li>9. Engine coolant filter/conditioner</li> <li>10. Alternator;</li> <li>11. Central A/C compressor.</li> <li>12. Air filter;<br/>Small A/C compressor (if equipped with parcel rack cooling system).</li> </ol> |
|---|--|

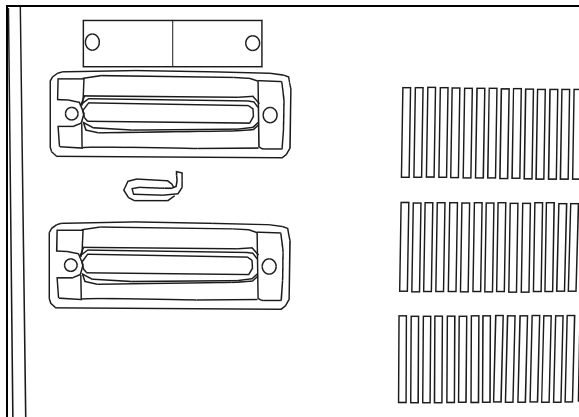
## 6 Coach Exterior

### ENGINE COMPARTMENT

#### ENGINE COMPARTMENT CURB-SIDE DOOR

The engine compartment curb-side door provides access to the following (if equipped):

- Engine compartment rear doors release handle;
- Booster terminals;
- Fuel filter/water separator (Optional);
- Air circuit fill valve and drain cock;
- Sump tank access cap;
- Cold weather starting fluid bottle;
- 110 - 120 volt connector;
- Lavatory maintenance valve and connectors;
- Fresh water reservoir fill connector;
- Coolant heater system.

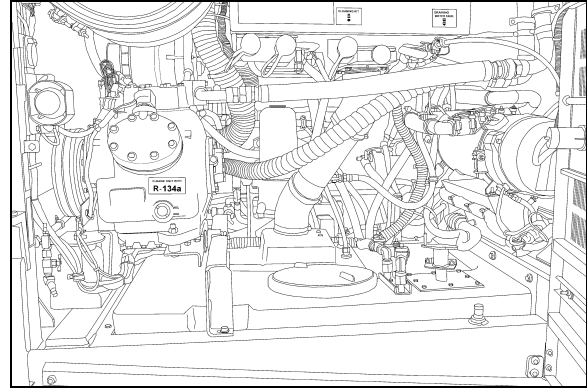


ENGINE COMPARTMENT CURB-SIDE DOOR 18559

This door can be locked or unlocked using the exterior compartment key or, if so equipped, by the central door locking system. To open, push sideways on the small lever located between the marker lights.

#### **NOTE**

*This compartment can be locked/unlocked using the central locking system by pressing the switch located on the L.H. side dashboard panel.*



ENGINE COMPARTMENT R.H. SIDE 18607

A telltale light illuminates when one or more compartments are unlocked.

#### ENGINE COMPARTMENT REAR DOORS

To open the engine compartment rear doors, open the engine compartment curb side door and pull the handle located on the rear door, close to the bottom door hinge.



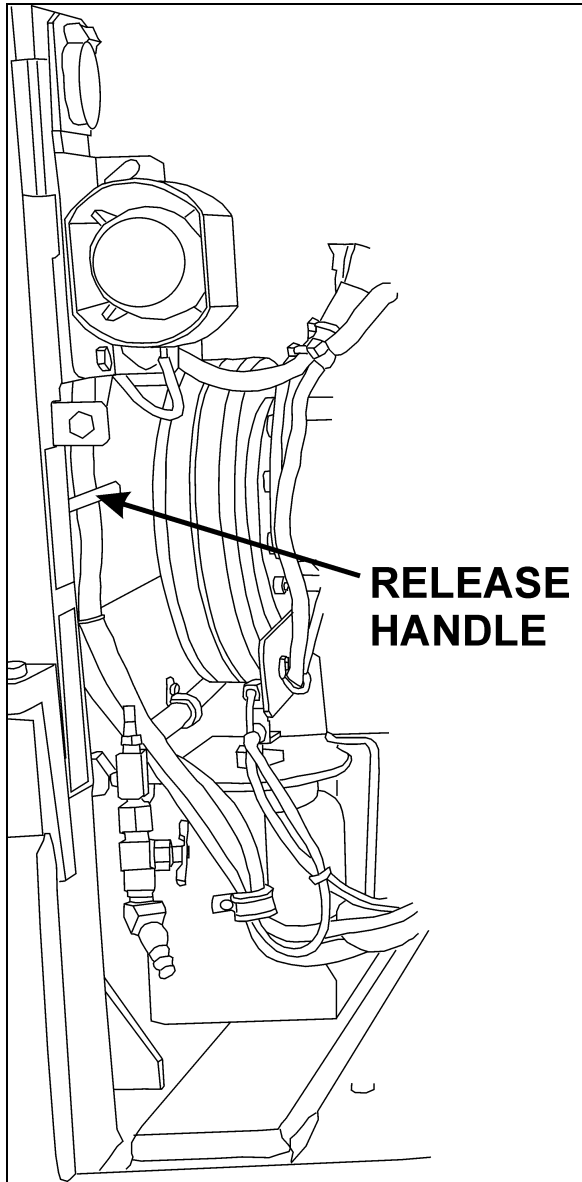
#### **WARNING**

Unless otherwise stated, do not run the engine when the engine compartment is open.

These doors swing out to provide access to the following:

- Engine;
- Alternator(s);
- Compressor(s);
- Belt tension control valve (refer to chapter, Care and Maintenance);
- Engine starting selector (refer to chapter, Starting and Stopping Procedures);
- Coolant line shutoff valves;
- Certification plates;
- Engine coolant surge tank;
- Air filter restriction indicator;
- Engine oil dipstick;
- Engine oil reserve tank;
- Power steering fluid reserve tank;
- Allison automatic transmission fluid dipstick;
- Engine coolant filler cap.

A catch holding each door open engages when the door is fully open. Release the catches before closing the doors. Close the L.H. door first, then firmly shut the R.H. door.



**OPENING ENGINE COMPARTMENT REAR DOORS** 18608

Turn the lights ON in the engine compartment using the switch on the rear start panel.

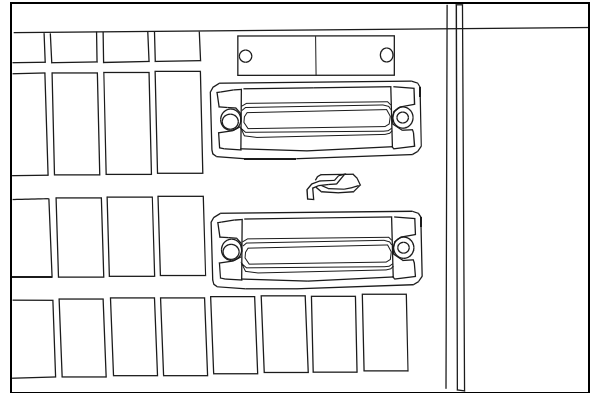


## WARNING

Unless otherwise specified, do not run engine when the engine compartment rear doors are open. Close the engine compartment rear doors before starting the engine.

## ENGINE RADIATOR DOOR

Open the engine radiator door by pushing the release lever sideways.



**RADIATOR DOOR**

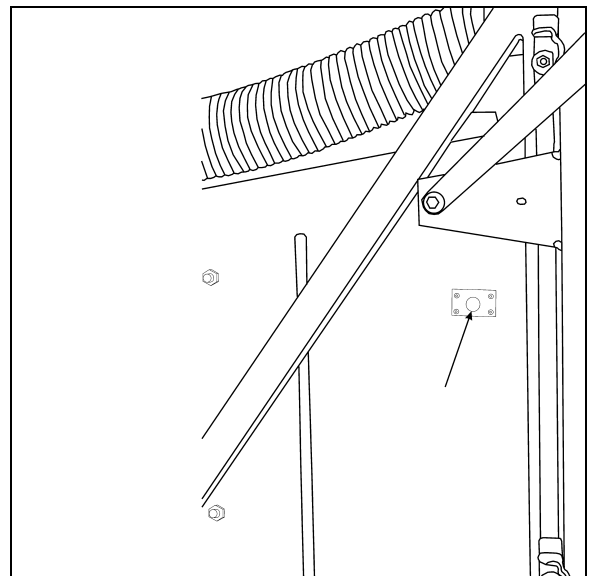
18560

## CONDENSER COMPARTMENT (A/C)

Pull the release latch located inside the L.H. side adjacent baggage compartment to open the condenser door.

The condenser compartment provides access to the following:

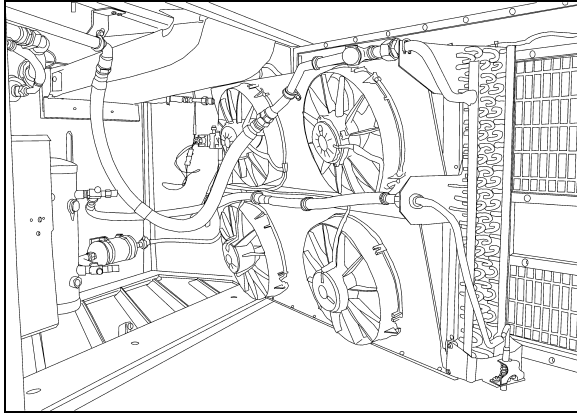
- 12 volt-Batteries;
- Battery equalizer;
- Condenser;
- Condenser fans and motors;
- Filter dryer and moisture indicator;
- Receiver tank;



**ACCESS TO CONDENSER COMPARTMENT**

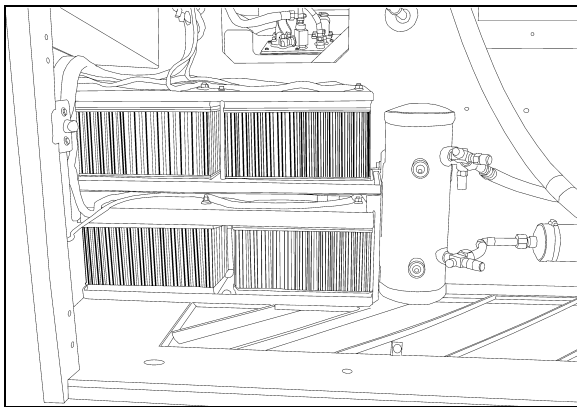
18609

## 8 Coach Exterior



CONDENSER COMPARTMENT (A/C)

22299

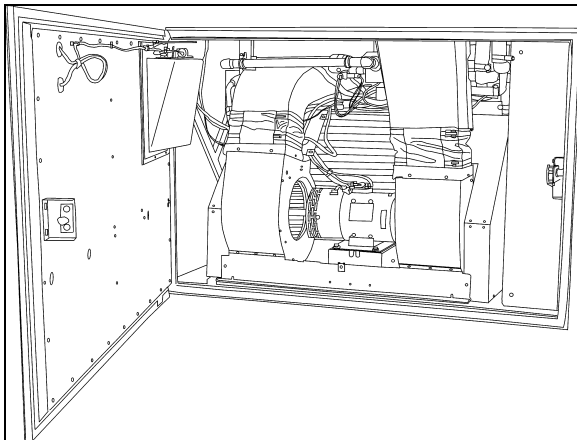


BATTERIES LOCATION

22300

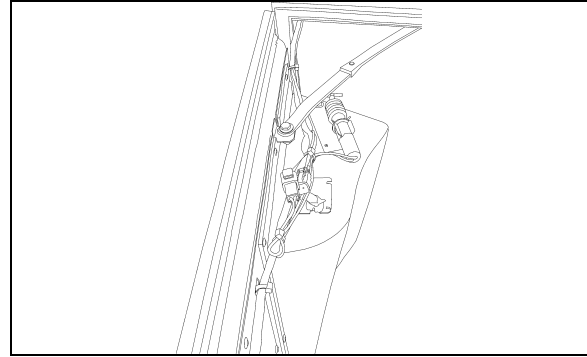
### EVAPORATOR COMPARTMENT

The HVAC (Heating, Ventilating and Air-Conditioning) evaporator blower and coolant fluid circulation pump are located in this compartment. The compartment door release latch is located on the left side of the baggage compartment and to the right of the HVAC compartment door. Pull the release latch then swing the HVAC compartment door open.



EVAPORATOR COMPARTMENT

22301



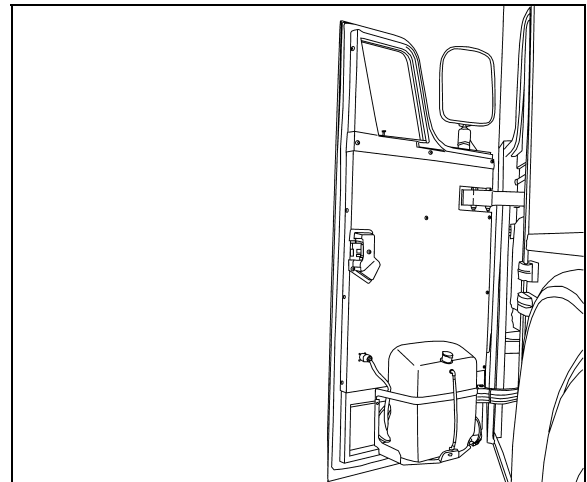
RECIRCULATION DAMPER

22302

### FRONT ELECTRICAL AND SERVICE COMPARTMENT

To open the front electrical and service compartment door, pull the rod inside the vehicle, next to the driver's power window or use the key to open from outside the coach. The front electrical and service compartment provides access to the following:

- Front terminal block;
- CECM;
- Vehicle Electrical Center Front (VECF) and Multiplex Modules;
- Relays and fuses;
- ABS Electronic Control Unit (ECU);
- Emergency door opening unlatch valve;
- Windshield washer reservoir & headlights washer reservoir (optional);
- Accessory system fill valve;
- Accessory air tank drain valve;
- Jack and tools.



FRONT SERVICE COMPARTMENT DOOR

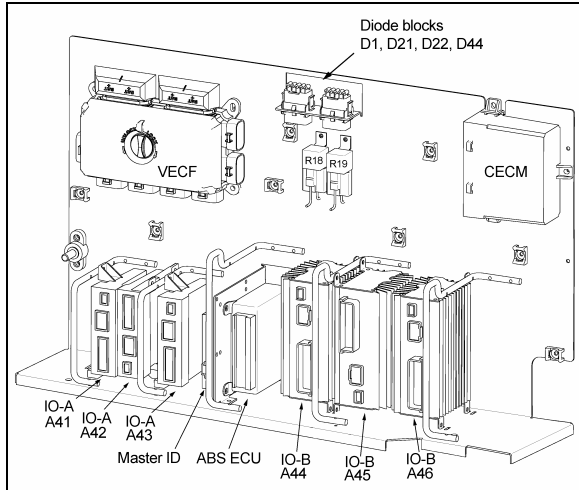
18610

This compartment door can be locked/unlocked using the exterior compartment key.

The light in the front electrical and service compartment turns *ON* automatically when the door is opened.

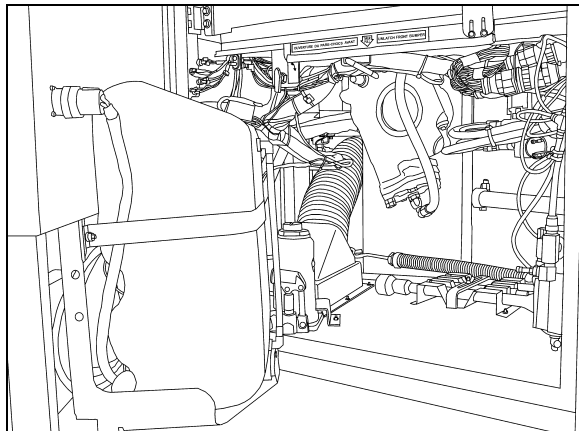
**NOTE**

*Jack and tools are located inside the front electrical and service compartment.*



**FRONT ELECTRICAL COMPARTMENT**

06617



**FRONT SERVICE COMPARTMENT**

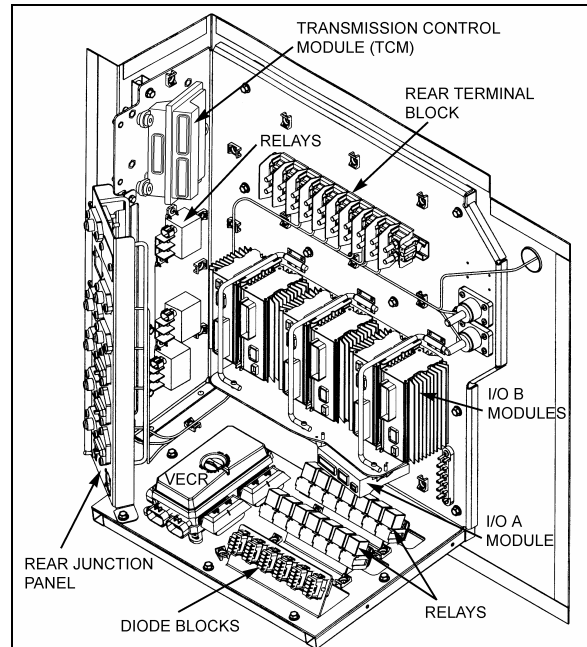
18611

## REAR ELECTRICAL COMPARTMENT

The rear electrical compartment is located in the space between the evaporator compartment and the last baggage compartment (Super bay) on the driver side of the vehicle. The compartment is accessible from the last baggage compartment by removing a plastic access cover. The rear electrical compartment provides access to the following:

- Rear junction panel;
- Rear terminal block;
- Multiplex modules;
- Vehicle Electrical Center Rear (VECR)
- Battery charger;
- Relays and fuses;
- Transmission TCM
- Battery master switch (Master cut-out)
- Diagnostic Data Reader (DDR) receptacle, (refer to “Other Features” chapter).

The lights turn *ON* automatically in the rear electrical compartment when one of the last baggage compartment doors is opened.



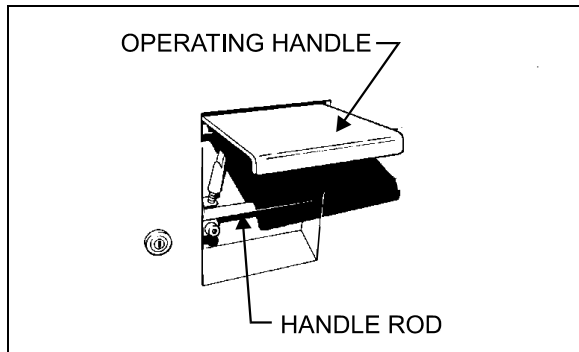
**REAR ELECTRICAL COMPARTMENT**

06618

## BAGGAGE COMPARTMENTS

The baggage compartments of the X3-45 model provide 406 ft<sup>3</sup> (11.5 m<sup>3</sup>) of storage capacity. The compartments can be locked or unlocked by using the exterior compartment key. Pull up operating handle to release the latch, and then pull the door open. Pressurized cylinders assist the opening and closing of the baggage compartment doors and hold the doors open.

## 10 Coach Exterior



**BAGGAGE DOOR LOCK AND LEVER**

18043

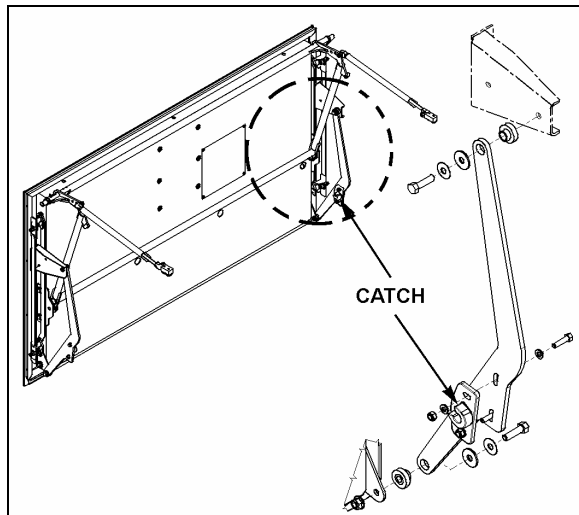
To close, pull the door down by the handle rod. Complete the closing of the door by returning the operating handle to its initial position.



### CAUTION

Do not slam shut the baggage compartment doors. Damage to door weather-stripping or locking mechanism could result.

Lights in the baggage compartments turn **ON** automatically when the door is opened.



**BAGGAGE DOOR CATCH**

18612

### NOTE

For added safety, open the door until the catch assist in holding the door in the open position.

### NOTE

The baggage compartment doors can be locked/unlocked from the driver's position by the optional central locking system. The switch is on the L.H. control panel. Refer to "Controls & Instruments" chapter.



### WARNING

To avoid injury, keep hands clear of baggage compartment door edge and door frame when closing.

### NOTE

To prevent theft and vandalism, always lock the baggage compartment doors before leaving the vehicle unattended.

## SPARE WHEEL COMPARTMENT

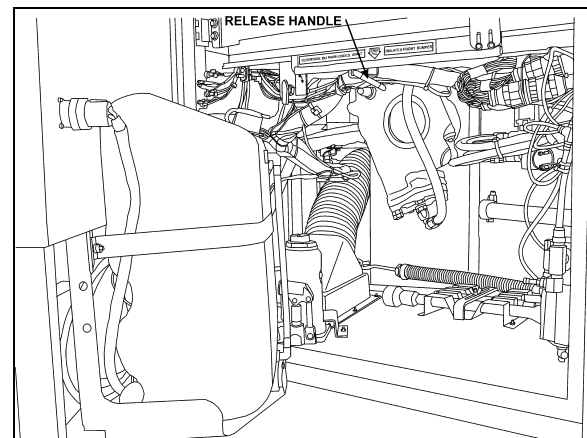
The front bumper can be tilted downward to give access to the spare wheel.



### WARNING

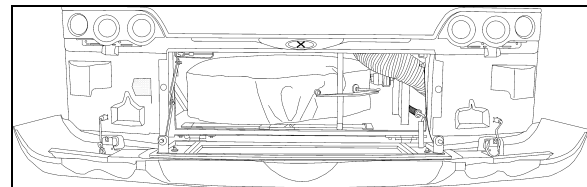
The compartment behind the bumper is not designed for miscellaneous storage. Never store loose objects in this compartment since they can interfere with the steering linkage mechanism.

Pull the release handle located inside front service compartment to tilt down the entire bumper assembly.



**RELEASE HANDLE**

18613



**SPARE WHEEL IN FRONT BUMPER COMPARTMENT** 18614



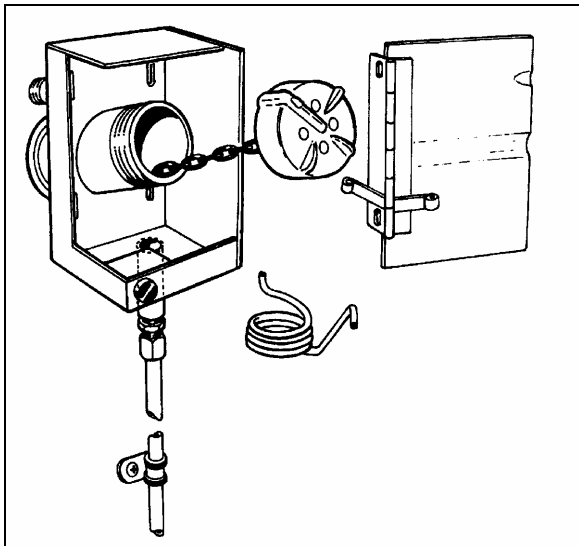
## WARNING

Although a powerful spring assists in reclining the bumper, it remains heavy and rests low when open. Caution should be used when reclining.

Check that bumper is securely closed shut before driving.

## FUEL FILLER DOOR

The fuel filler door is located on the R.H. side of the coach providing easy fuel filling. A spring keeps the door either open or shut. A key is provided for unlocking the door if the option was chosen.



FUEL FILLER DOOR

03046

### NOTE

*Provided the vehicle is parked on level ground, an automatic nozzle will automatically shut off when tank is approximately 95% full.*

### NOTE

*The fuel filler door must be in the unlocked position before closing*



## CAUTION

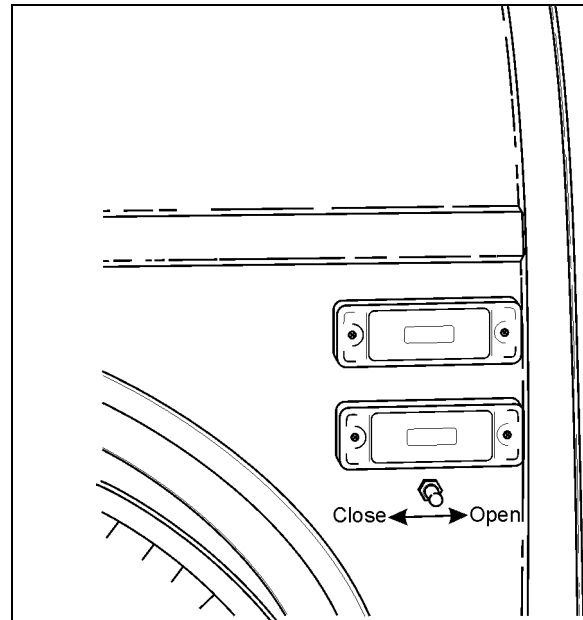
Do not fill to more than 95% of the tank capacity. Do not "top off" the tank, doing so may result in fuel spillage when the fuel expands.

## ENTRANCE DOOR

Lock or unlock the entrance door from outside the vehicle by turning the key in the door lock (counterclockwise to lock, clockwise to unlock).

From outside, open the door by pushing the switch forward, close by pushing the switch rearward.

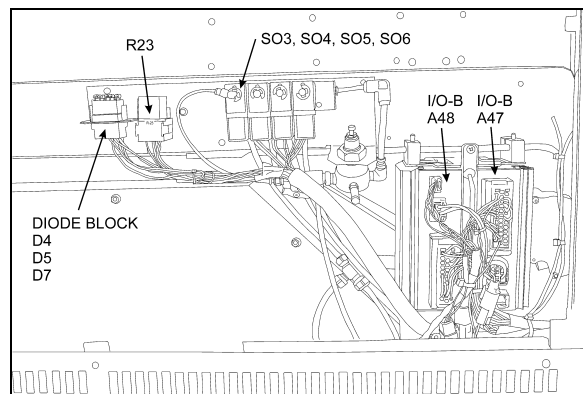
The only way to unlock the entrance door from the inside is by sliding its lock lever to the left. If the orange tab on the door-lock lever is visible, the door is unlocked.



ENTRANCE DOOR EXTERIOR SWITCH

18599

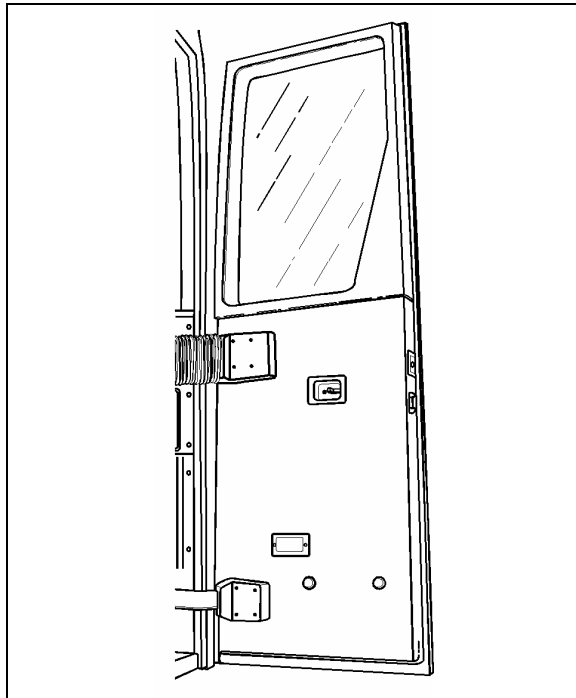
From the inside, open the door by pressing the door opening switch (L.H. button) on the R.H. dashboard panel. Close by pressing the door closing switch (R.H. button) on the dashboard. Refer to "Controls and Instruments" chapter for more information.



ENTRANCE DOOR & WIPER CONTROL PANEL

06614

## 12 Coach Exterior



ENTRANCE DOOR

18001

### DOOR OPERATION LOGIC

If the switch is held in position until the door is fully open or closed, the system holds pressure in the door cylinder, locking the door in that position. The door can be opened to any position by releasing the switch (or button, if inside) when the desired position is attained. However, the door is not locked in any position other than fully open or fully closed. The door can then be opened or closed further by pushing or pulling on the door.

A proximity sensor will finish the closing of the door when it senses the door is almost shut. This works even when the door is shut manually.

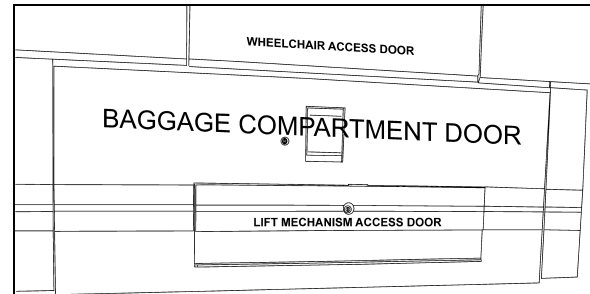
### EMERGENCY ENTRANCE DOOR OPENING

Refer to “Safety Features and Equipment” chapter.

### WHEELCHAIR LIFT ACCESS DOORS

To open the optional wheelchair lift access doors, the coach must be parked on a flat and level surface with the parking brake on. Using the exterior compartment doors key, unlock and carefully lower the lift mechanism access door which is part of the baggage compartment door. The lift mechanism access door is located directly below the wheelchair access door. A

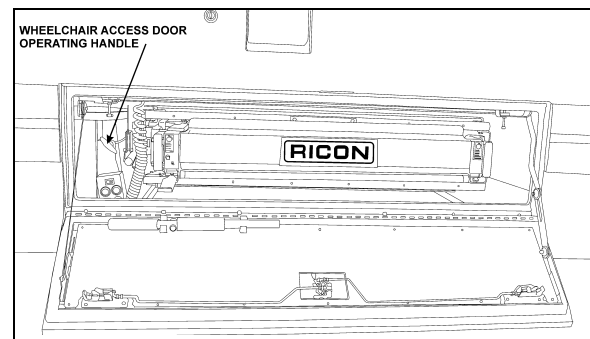
handle at the left of the lift mechanism unlocks and enables opening of the wheelchair access door. If the parking brake is not activated, a switch in the door will activate the parking brake when it detects the door is open.



WHEELCHAIR LIFT ACCESS DOORS

18615

Open the wheelchair access door completely until it locks in the open position. To close the door, pull on the tab located on the inside of the door and slam the door shut. Refer to “Other Features” for more information on operating the optional wheelchair lift.

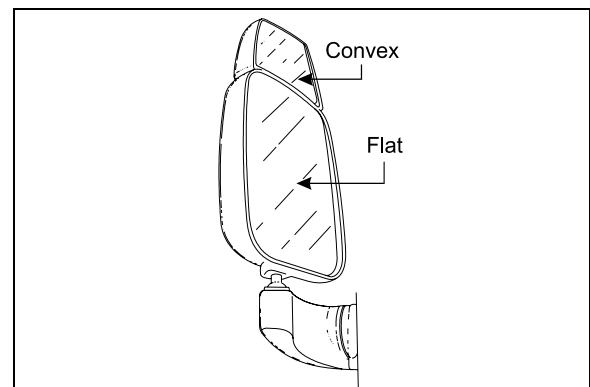


WHEELCHAIR ACCESS DOOR OPERATING HANDLE

18616

### REAR VIEW MIRRORS

The vehicle is equipped with flat-type and convex-type rear-view mirrors. Convex mirrors give a wide angle view. Objects viewed in convex-type rear-view mirrors appear smaller and are actually closer than they appear.




REAR VIEW MIRRORS

18398



To provide good visibility in cold weather, the mirrors can be equipped with heating elements. The elements are activated by a rocker switch located on the dashboard. Refer to "Controls & Instruments" chapter. Thermostats are used to prevent continuous operation of the heating elements.

	<b>CAUTION</b>
Do not attach stick-on type convex mirror accessories to the heated mirror glass. This could impede uniform heat distribution on the mirror surface and could break the mirror glass.	

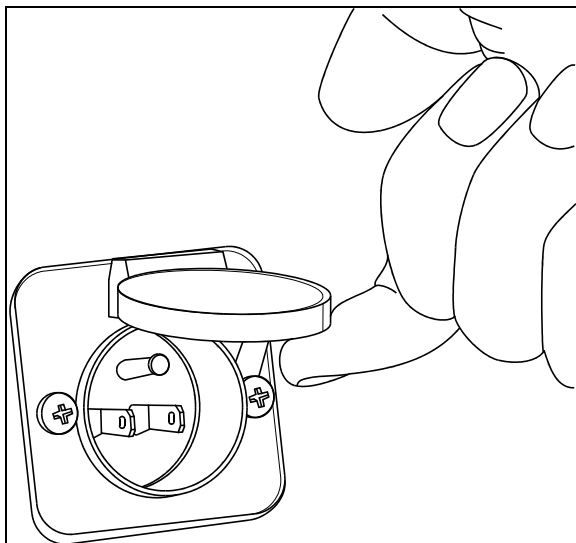
The mirrors are adjusted using the controls located on the L.H. control panel. Refer to "Controls & Instruments" chapter. Manual adjustment is also possible.

**BACK-UP CAMERA**

An optional back-up camera is available which provides the driver with visual assistance when backing-up. Camera monitor is installed on the dashboard L.H. side, on the windshield post. For additional information, refer to "Controls & Instruments".

**110-120 VOLTS CONNECTOR**

This connector is connected to the electric block heater and uses a 110-120 VAC power source. It is located near the engine compartment rear doors release handle. (refer to chapter "Starting and Stopping Procedures").



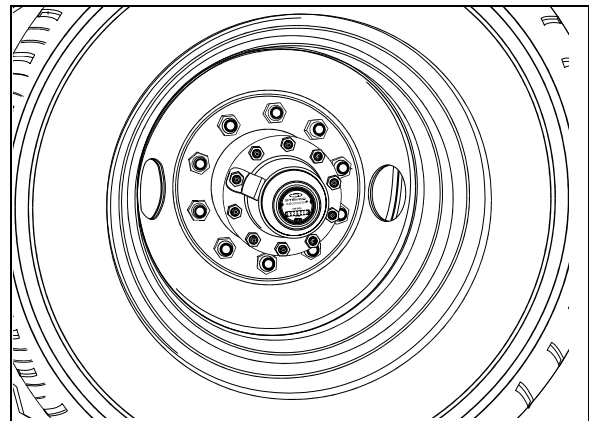
PRISE DE 110-120 VOLTS

06390

**HUBODOMETER**

An odometer is installed on the curb-side drive axle wheel hub. The odometer calculates the total distance in miles or kilometers (depending on model installed) traveled by the coach since manufacture, including factory road testing.

<i><b>NOTE</b></i>
<i>It is normal for the hubodometer, the DDEC ECM and the vehicle odometer to disagree on the total mileage.</i>



HUBODOMETER

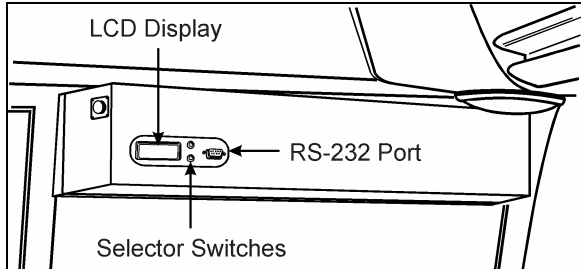
13012

# 14 Coach Interior

## ELECTRONIC DESTINATION SIGN

Turn the optional destination sign lighting on and off using the rocker switch located on the dashboard. Refer to Controls & Instruments chapter.

Depress the selecting switches until the desired destination appears in the Liquid Crystal Display.



ELECTRONIC DESTINATION SIGN

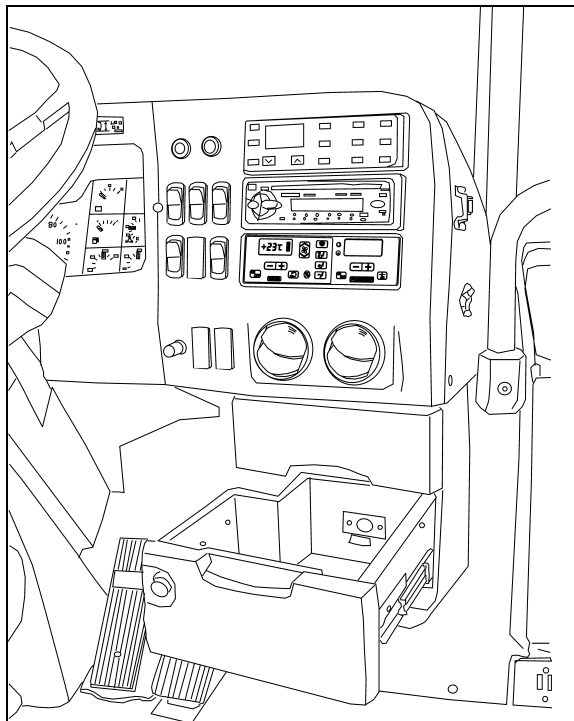
23123

### NOTE

*The destination sign must be programmed with a computer connected to the RS-232 connector prior to first use. Follow the instructions on the computer disk to install and run the software.*

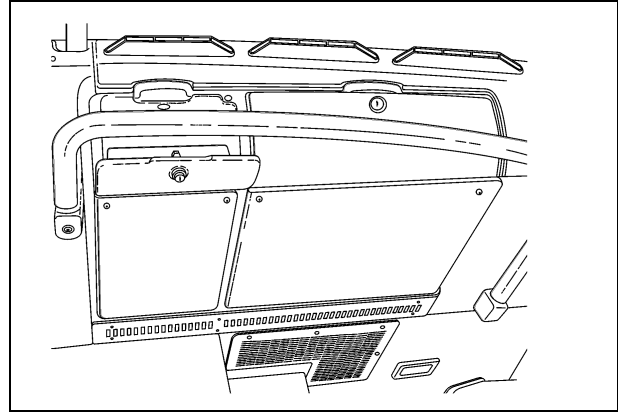
## UTILITY COMPARTMENTS

Two lockable utility compartments are located at the base of the windshield. Another utility compartment is located on the console, and includes a 12 volt appliance socket.



UTILITY COMPARTMENT IN CONSOLE

18556

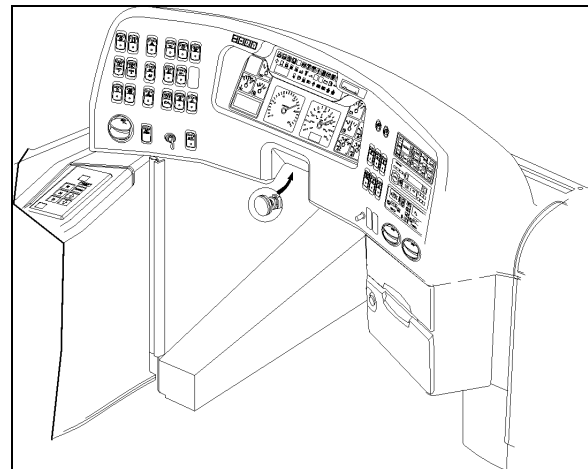


UTILITY COMPARTMENTS

18602

## STEERING WHEEL ADJUSTMENT

Push on the valve button located in the foot-operated control housing with the left foot to unlock the steering wheel for tilt and telescopic adjustment (refer to "Controls and Instruments" chapter).



TILT AND TELESCOPIC ADJUSTMENT

18600



### DANGER

Do not adjust the steering wheel while driving. Loss of control could result. Park the vehicle safely and apply parking brakes before adjusting the steering wheel.

## AISLE MIRROR

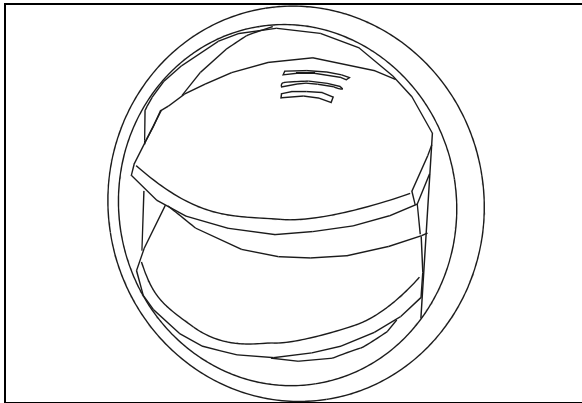
A central mirror allows the driver to see in the aisle. Adjust mirror manually.

## ADJUSTABLE HVAC REGISTERS

The HVAC system has adjustable registers to control air flow around the driver's area. Three

are located on the dashboard; two on the R.H. side and one on the L.H. (refer to Controls & Instruments chapter). Another one is located close to the door, below the modesty panel wall for step de-icing. The direction and volume of air flow are adjustable manually.

Use the HVAC control panel to set air temperature.



AIR REGISTER

22249

## DRIVER'S SEAT - ISRI

The coach is equipped with one of two models of ISRI driver's seats. Standard is the mechanically adjusted seat and pneumatic model is available as an option. Both seats are equipped with safety belts. Lumbar supports, heated cushions and adjustable armrests are optional.



### DANGER

The driver's seat must be adjusted to allow the driver easy access to the coach controls. Never adjust seat while driving vehicle as this could result in loss of vehicle control.



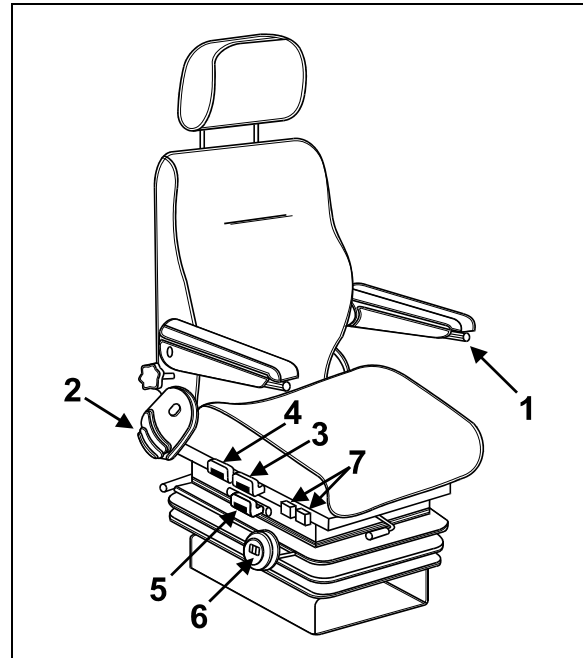
### DANGER

Make sure that seat is adjusted and that safety belt is buckled up before driving vehicle.

## MECHANICAL ISRI SEAT

### Adjustment

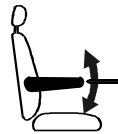
Seat can be adjusted to the desired driving position by following the instructions listed below:



DRIVER'S SEAT ADJUSTMENT (MECHANICAL)

18333

### Armrest



18334

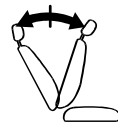
The driver's seat can be equipped with two folding armrests.

To lower the armrest:

- Turn control knob #1 (refer to figure: Driver's seat adjustment (mechanical)) counter-clockwise without applying pressure on the armrest
- Push the armrest down.
- Repeat procedure until desired position is reached.

To raise the armrest, move it to the desired position and turn control knob clockwise until it stops.

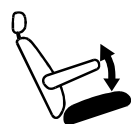
### Backrest



18335

Lift lever #2 then adjust backrest to the desired angle.

### Tilt (front)

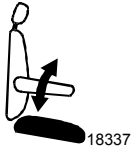


18336

To lower or raise the seat's front section, pull handle #3 up and push or pull the seat cushion.

# 16 Coach Interior

## Tilt (rear)



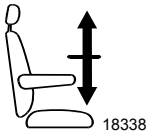
To lower or raise the seat's rear section, pull handle #4 up and push or pull the seat cushion.



### WARNING

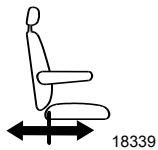
To avoid pinching the fingers between buckle and controls, lower safety belt buckle before adjusting seat height

## Up and Down



Pull both handles (3 and 4) up to adjust height of the seat.

## Fore and Aft



To adjust distance between driver and dashboard, pull handle #5 up and slide the seat forward or backward.

### NOTE

Fore-and-aft seat adjustment control may also be located at the front of the seat.

## Suspension



For maximum mechanical suspension performance, rotate handwheel #6 until your body weight (in pounds) is shown on the indicator.

The seat suspension resistance can be changed to suit the driver. Turn handwheel clockwise to increase suspension resistance and counter-clockwise to decrease resistance.

## Lumbar Support



To inflate the upper lumbar support bellows, depress the front rocker switch #7 upward. To deflate, depress the rocker switch downward.

Follow the same procedure to inflate and deflate the lower bellows using the rear rocker switch.

## Headrest



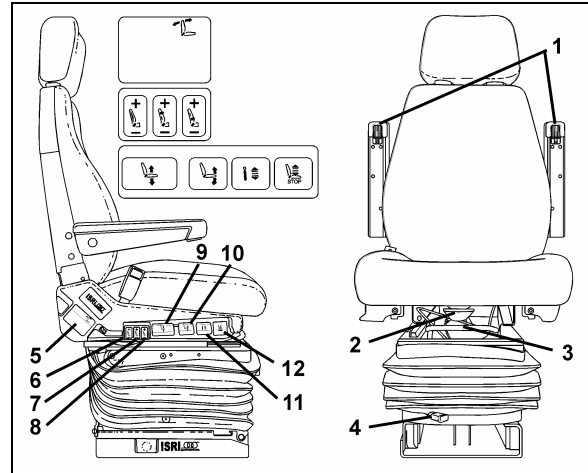
The headrest can be adjusted forward, rearward and vertically by 2 inches (50 mm). Directly move headrest to desired position.



### DANGER

For best protection, position headrest behind your head, not behind your neck.

## PNEUMATIC ISRI SEAT



## PNEUMATIC DRIVER'S SEAT

18385

### Armrest (1)

Rotate control knob to select desired arm-resting angle. When not in use, raise armrest parallel with backrest.

### Seat Cushion (2)

Provides optimum comfort and support for any driver size. Adjustable to 50 mm (2 inch) length.

### Fore-and-aft (3)\*

Pull handle up and slide seat forwards or backwards to adjust distance between seat and dashboard.

### Isolator (4)

Reduces horizontal vibration, ensuring smooth ride.

### Backrest (5)

Lift lever to select proper angle of backrest.

### Air Side Bolster (6)

Offers desired side support to avoid body side-way.

## Air Lumbar (7) (8)

Provides back support with upper and lower settings, ensuring comfort during lengthy sitting.

## Air Height Adjustment (9)

Moves seat up or down independently of other seat settings. 100 mm (4 inch) total travel.

## Adjustable Seat Recline (10)

Allows easy adjustment of four-setting inclination.

## Adjustable Shock Absorber (11)

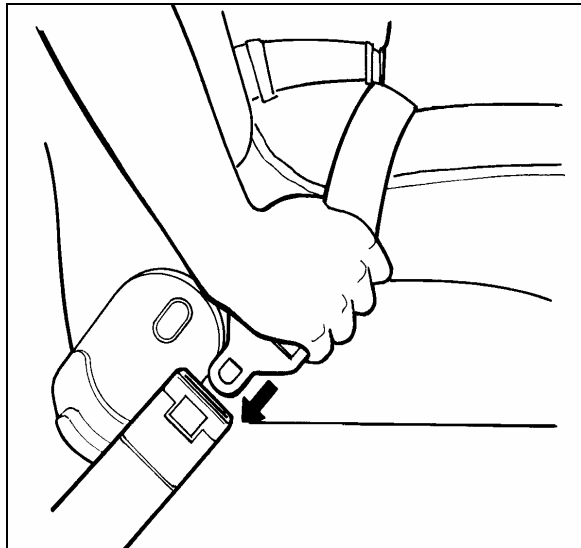
Choose stiff or soft ride infinitely.

## Quick Air Release (12)

Exhausts all air from suspension, allowing for easy entry/exit. Returns seat to previous position.

## SAFETY BELTS

The driver's seat is equipped with a retractable safety belt as required by State, Provincial and Federal regulations. To fasten, pull seat belt out of the retractor and insert the latch plate into the buckle until it clicks. No special adjustment is required since the reel device is self-adjusting. If seat belt operation becomes defective, report to maintenance personnel immediately.



FASTENING SEATBELT

18028

## NOTE

*The safety belt must be pulled out slowly and continuously, otherwise it will lock the reel before the latch plate reaches the buckle. If this happens, allow the belt to retract completely and repeat the procedure correctly.*



## WARNING

A snug fit with the lap belt positioned low on the hips is necessary to maximize driver safety. The belt should not be worn twisted. Avoid pinching belt and/or belt hardware in seat mechanism. Do not wear belt over rigid or breakable objects, such as eyeglasses, pens or keys as these may cause injuries.



## CAUTION

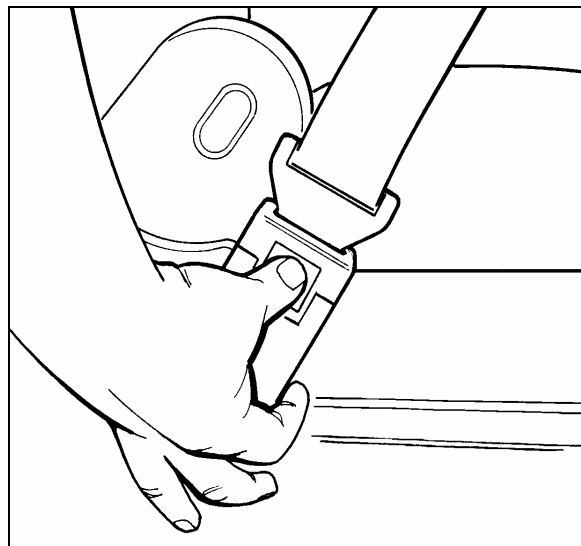
Never bleach or dry clean safety belt.

To unfasten belt, press the red button in center of buckle and allow belt to retract. If the belt does not fully retract, pull it out and check for kinks or twists. Make sure that it remains untwisted as it retracts.



## DANGER

Most State and Provincial laws require that safety belts be worn when they are supplied with the seat.

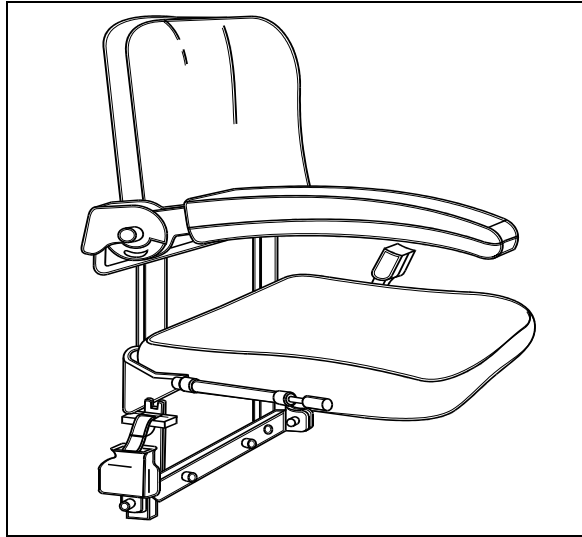


UNFASTENING SEATBELT

18029

# 18 Coach Interior

## TOUR GUIDE SEAT



TOUR GUIDE SEAT

18347

The optional folding tour guide seat is equipped with a retractable arm rest and safety belt. The seat can be folded up for convenience when embarking and disembarking passengers.

The tour guide seat can be removed and stored in the first baggage compartment. To remove the seat from the stairwell wall, unscrew and remove the two anchoring pins and washers at the bottom of the seat assembly. Raise and unhook the seat assembly.



### DANGER

Make sure tour guide's safety belt is buckled up prior to departure.

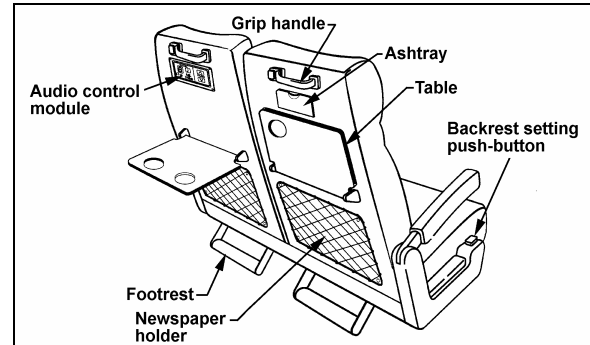
## MICROPHONE JACKS

Up to six microphone jacks for the PA system can be located in the following locations:

- On the side wall of the driver's control panel;
- On the right hand side of the dashboard;
- One optional outlet for the tour guide on each of the modesty panels;
- One optional outlet on the lavatory wall, behind the last row of seats;
- One optional outlet under the overhead storage compartment, at the rear of the coach.

## PASSENGER SEATS

Passenger seats may be equipped with grip handles, ashtrays, newspaper holders, trays, cup holders and footrests.



PASSENGER SEAT EQUIPMENT

18121A

All seats are track-mounted so that the seating configuration can be changed. Each set is mounted on rectangular aluminum bases to make cleaning between the base and side wall easier.

Passenger seat backrests can be tilted by using the push-button located on the base of the seat. Depress and hold push-button, then adjust backrest to the desired angle. Release push-button to lock backrest in position.

A folding armrest is installed on the aisle side of the passenger. Another folding armrest is located between the two seats and can be raised for passenger convenience. A fixed armrest is installed on the window side of the seat.

## SWIVEL SEATS

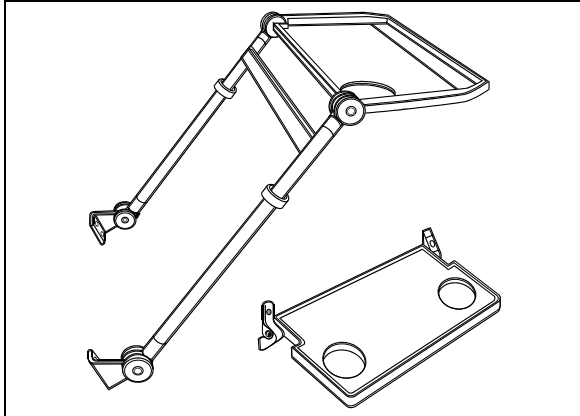
The coach may be equipped with two sets of swivel seats to allow installation of card tables. The swivel seat can be rotated for passenger privacy. To rotate seats, unscrew the wing nut from under each seat cushion then remove cushions. Remove the four wing screws, pull seats toward the aisle and rotate the seat counter-clockwise. Align mounting holes, secure with wing screws and install seat cushions.

### NOTE

Instructions for making swivel seat adjustments are affixed on the rear frame under the seat cushion.

## FOLDING TRAYS

Two optional folding tray models can be installed in the coach.



FOLDING TRAY MODELS

23140

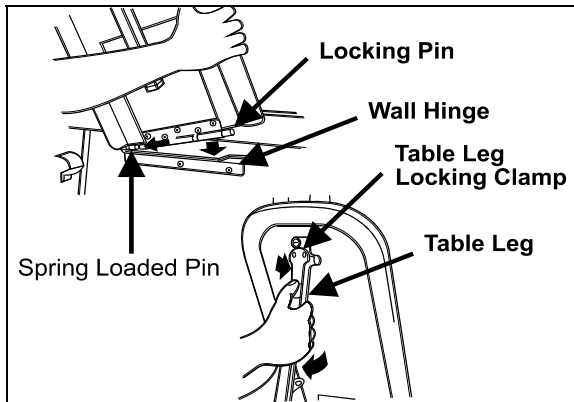
**NOTE**

Both tray models as well as the tray installed onto each modesty panel, are equipped with tumbler holders.

**CARD TABLES**

Two card tables are provided as standard equipment and are used in the passenger swivel seat configuration. The card tables are stored in the overhead storage compartments in separate stowage bags.

To install the card table, hold it at 45° (degrees) to the side wall. Insert the spring-loaded pin then the locking pin into the hinge. Push on the locking clamp to release the leg. Unfold the leg until the clamp locks it in position.



CARD TABLE INSTALLATION

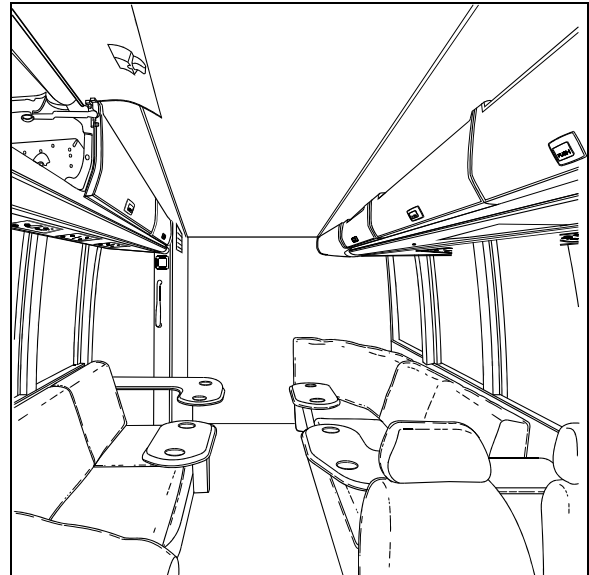
23146

**QUICK-LOUNGE SYSTEM**

"Quick-Lounge" is a quick-fit modular system providing luxurious seating accommodations for passengers.

The optional "Quick-Lounge" system occupies the same space as the paired seating

configuration it replaces. The existing seat spacing remains unchanged.

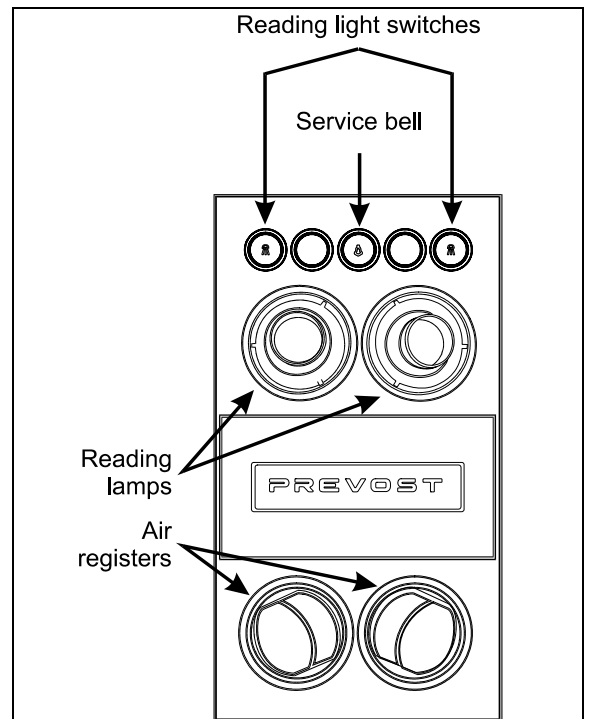


QUICK-LOUNGE SYSTEM

18395

**OVERHEAD CONSOLE**

One airplane type overhead console is installed above each row of twin seats to provide a total of 107 ft<sup>3</sup> (3.0 m<sup>3</sup>) of storage capacity. Such amenities as reading lights, air vents and an optional service bell are controlled from this panel.



OVERHEAD CONSOLE

23137

## 20 Coach Interior

### ADJUSTABLE AIR REGISTERS

Manually adjustable registers located on the overhead console provide air flow to the passengers. Air flow can be directed, passengers can orient individual registers by rotating the nozzle. To adjust air flow, passengers must open or close the flaps. Activation of the fans is done by depressing a rocker switch on the dashboard. Refer to Controls & Instruments chapter.

### SERVICE BELL

Pressing the service button on the overhead console will illuminate the button providing a visual cue for service personnel and, if activated, will sound a chime in the driver's area. The chime system is activated by a rocker switch located on the dashboard. Refer to Controls & Instruments chapter. Passengers may also use the chime system to request a stop for disembarking. Press the service button a second time to cancel the service request.

### READING LIGHTS

Reading lights are mounted underneath the overhead storage compartments. Depressing a rocker switch located on the dashboard (refer to Controls & Instruments chapter) will activate the reading light circuit and allow passenger control of reading lights.

### WINDOWS

The coach is equipped with frameless flush-mounted "Galaxsee" windows all around and a split-window windshield for maximum visibility.

### PANORAMIC WINDOWS

Panoramic side windows can come in either single pane or, as an option, double pane (thermopane) glass. Some of these windows are of the fixed type; they are bonded to the structure and cannot be opened. Others can be easily opened to serve as emergency exits.

### Fixed Windows

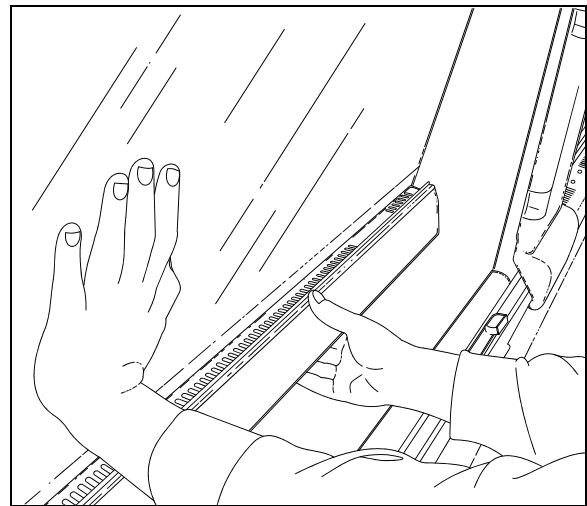
These windows are bonded to the structure and form an integral part of the body of the vehicle, helping reduce vibration and noise. Fixed windows cannot be opened.

### Emergency Windows

These windows can be opened from inside the vehicle as emergency exits. A decal on window sills indicates the location of the emergency windows. To open an emergency window, lift the window release bar (sill) and push the window open from the bottom.

To close, lift the release bar and pull the window into position. Push down on release bar to lock the window shut.

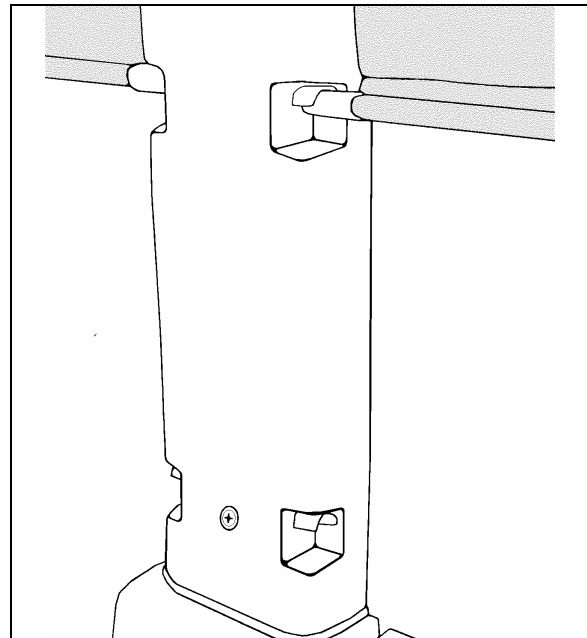
For more information on emergency features, refer to "Safety Features and Equipment" chapter.



EMERGENCY WINDOW OPENING

18391

### Window Sun Shades



PULL DOWN SUN SHADES

18374



Passenger windows may be equipped with pull-down sun shades. To operate, pull down the shade and insert the hem into the first or second catch. To retract pull out from the slots and guide the shade back up.

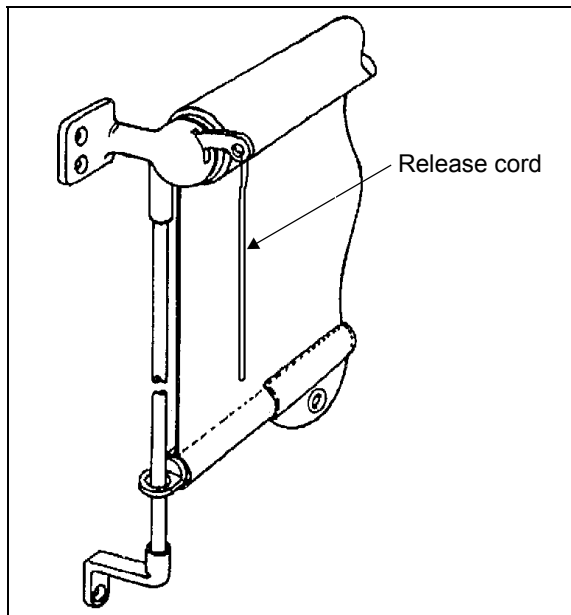
### DRIVER'S POWER WINDOW

The driver has a power window on the left side of the coach. The windows are controlled by a rocker switch located on the driver's control panel. Refer to "Controls and Instruments" chapter.

### Driver's window shades

This vehicle is provided with a spring release type sun shade on the driver's left side window. Another spring release type shade is available on the optional driver's guard. To operate, pull down the shade by its hem to the appropriate position and release. It will remain in position. To raise, depress the unlocking lever and guide the shade back up using the other hand.

Two electrically-operated shades are installed behind the windshields. Two rocker switches on the dashboard operate each shade individually. Refer to "Controls and Instruments" chapter for more information.



SPRING RELEASE SUNSHADE

23019

### VENTILATION HATCH

A ventilation hatch is installed in the ceiling at the front of the coach. To open the hatch, push up with both hands and pull down to close. The ventilation hatch can be completely opened for emergency egress. Refer to "Safety Features and Equipment" chapter.



### WARNING

Be aware of coach overhead clearance when traveling under overpasses with the ventilation hatch(es) open. Check for maximum clearance height.

### OVERHEAD COMPARTMENTS

Passenger carry on baggage is stored in overhead compartments on each side of the coach. A first aid kit is located in the first front curb side overhead storage compartment. An optional video cassette player and a CD player may be installed in the first front driver's side overhead storage compartment.

To open the optional closed overhead storage compartments, push the handle in to release the latch, then let go. A pressurized cylinder opens the door.

### NOTE

The overhead storage compartments have a minimum amount of separators installed so as to quicken inspection for forgotten objects.

### NOTE

An optional lock can be installed on the first front driver's side overhead storage compartment door.



OVERHEAD STORAGE COMPARTMENTS

18603

## 22 Coach Interior

### WASTE CONTAINER

The waste container is located on the lavatory wall, and is accessible through an opening on each side of the wall. A small door, located on the aisle side, gives access to the waste container for cleaning.

### GALLEY

The optional galley may include features such as a microwave oven and refrigerator to accommodate hot or cold food and beverage service. The galley's electrical power circuit is activated by a rocker switch located on the dashboard. Refer to "Controls & Instruments" chapter.

### LAVATORY

The lavatory is located in the rear curb side corner of the coach. It is equipped with a chemical flush toilet, bathroom tissue dispenser, wash-basin, towel dispenser, waste container, mirror, ashtray, and a hose outlet in a compartment located over the mirror. A liquid soap dispenser and moist towel dispenser are optional.

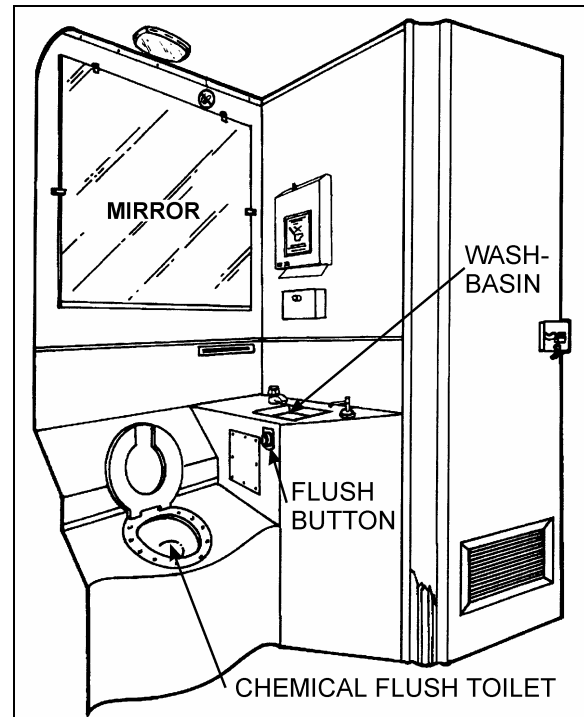
Locking the lavatory door from the inside will illuminate a fluorescent light in the lavatory and two outside signs to indicate occupation. One sign is located on the outer wall of the lavatory and another sign is located over the windshield. A telltale light on the dashboard will illuminate to inform the driver when the lavatory is occupied. A night-light is permanently lit in the lavatory when the ignition switch is in the ON position.

If emergency assistance is required, the lavatory occupant can actuate a buzzer that will sound in driver's area. The buzzer's push-button (c/w instruction label) is located on the inner curbside wall of lavatory.

The lavatory has its own ventilation system that operates only when the ignition switch is in the "ON" position.

#### **NOTE**

*This fan runs constantly when the ignition switch located on the dashboard is in the "ON" position.*

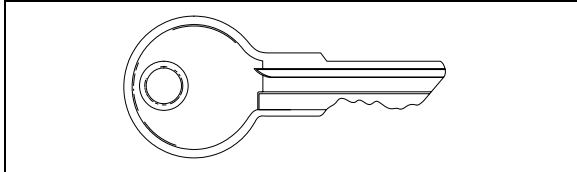


23235

**KEYS**

Depending on options, up to eight different keys are provided with the coach.


**IGNITION KEY**



**IGNITION KEY** 23056

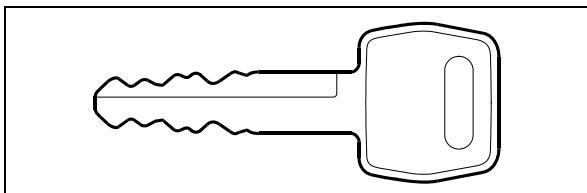
Coaches may be equipped with an ignition lever instead of an ignition key. Use the ignition switch to activate the electrical circuit by turning it counterclockwise to the ACC position.

To start the engine, turn the key clockwise to the START position, and then release it. The key will set to ON position.

	<p><b>CAUTION</b></p>
<p>When the vehicle is parked overnight or for an extended period of time, the battery master switch (ignition switch) should be set to the OFF position.</p>	

<p><i>NOTE</i></p>
<p><i>When the battery master switch (ignition switch) is set to the OFF position, all electrical supply from the batteries is cut off, with the exception of battery equalizer check module, ECM ignition and power supply, Allison TCM, ZF Transmission ECU), coolant electronic, coolant heater and water re-circulating pump, pro-driver, power-verter, fire alarm and entrance door.</i></p>

**ENTRANCE DOOR AND EXTERIOR COMPARTMENT DOORS KEY**



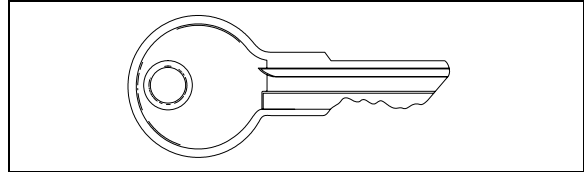
**ENTRANCE DOOR AND EXTERIOR COMPARTMENT DOORS KEY** 23244

Use this key to lock or unlock the entrance door, the baggage doors the electrical and service compartment doors, except the fuel filler door.

*NOTE*

*It is also possible to lock or unlock the baggage compartments and service compartments from the inside by means of the optional central locking system.*

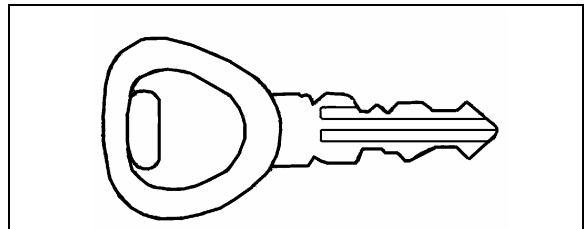
**UTILITY COMPARTMENTS KEY**



**UTILITY COMPARTMENTS KEY** 23056

This key locks or unlocks the utility compartments and the utility drawer on the dashboard.

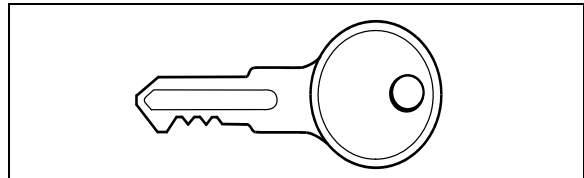
**LAVATORY DOOR KEY**



**LAVATORY DOOR KEY** 23302

Use this key to lock or unlock the lavatory.

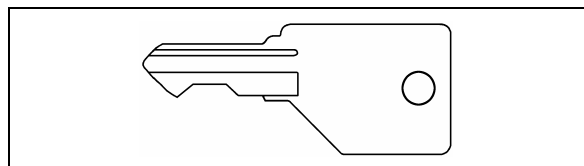
**UTILITY AND VIDEO COMPARTMENT KEY**



**UTILITY AND VIDEO COMPARTMENT KEY** 23246

Use this key to lock or unlock the lockable utility compartments and the lockable overhead compartment containing the video cassette player.

**HAND TOWEL DISPENSER KEY**



**HAND TOWEL DISPENSER KEY** 23354

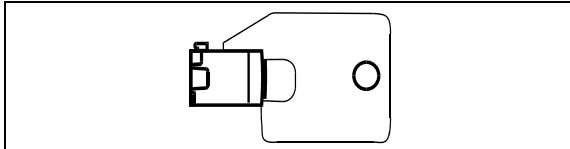
Use this key to open the hand towel dispenser.

*NOTE*

*Optional moist towel dispenser uses another key.*

## 24 Controls and Instruments

### TV MONITOR KEY



TV MONITOR KEY

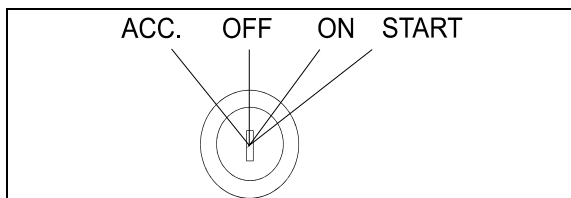
23248

Use this key to remove the TV monitors for maintenance.

#### NOTE

*For your protection against theft, record the key numbers and keep this information in a safe place. Do not keep these records inside the vehicle. It is also advisable to deposit a duplicate of each key in a safe place, so they can be obtained without difficulty in case of an emergency or loss.*

### IGNITION SWITCH



IGNITION SWITCH POSITIONS

06354

The ignition switch doubles as the battery master switch. Any position other than OFF activates the electrical circuits. Electrical circuits are also activated when the hazard switch is depressed. Two auxiliary master switches in series with the ignition switch are installed on the vehicle; one is located in the rear electrical compartment and one in the engine compartment on the rear start panel, for maintenance ease.

The ignition switch is located on the lower left side of the dashboard. It has four positions:

#### Off

In the *OFF* position, ignition cannot take place. The key can be removed when in this position.

The electrical circuits are not activated when the switch is in this position. Only the accessories connected directly to the batteries can be activated. These are the coolant heater and water pump, the battery master switch, the central locking system, the entrance door and Message Center Display (MCD). Maintain the switch in this position when parked overnight or for an extended period.

#### NOTE

*The battery master switch is ON when the hazard flashers are activated, even if the key is in the OFF position.*

### Accessories

To operate the accessories only, turn the ignition key counterclockwise to the “ACC” position. The key cannot be removed when in this position.

The electrical circuits are activated when the switch is in this position or when the hazard flashers are activated.

The features enabled when the switch is in the ACC position are all those linked directly to the battery plus the exterior temperature display, the radio or entertainment system, exterior and interior lighting.

#### On

To place ignition switch to *ON*, turn the key clockwise to the first position. The key cannot be removed when in this position.

The electrical circuits activated when the switch is in the ACC position plus the transmission, engine and accessories, ABS system, wipers, dashboard cluster gauges and buzzers, air horn and air dryer heater are activated when the switch is in this position. Do not leave the key in this position unless the engine is running.

#### Start

Turn the key clockwise to the second position and release as soon as the engine starts. The key will return to the ON position. If the engine did not start, return the ignition key to the OFF position before trying to restart the engine.

The ignition switch is equipped with a starter protection which inhibits turning the key to the START position if the key has not previously been turned to the OFF position.



#### CAUTION

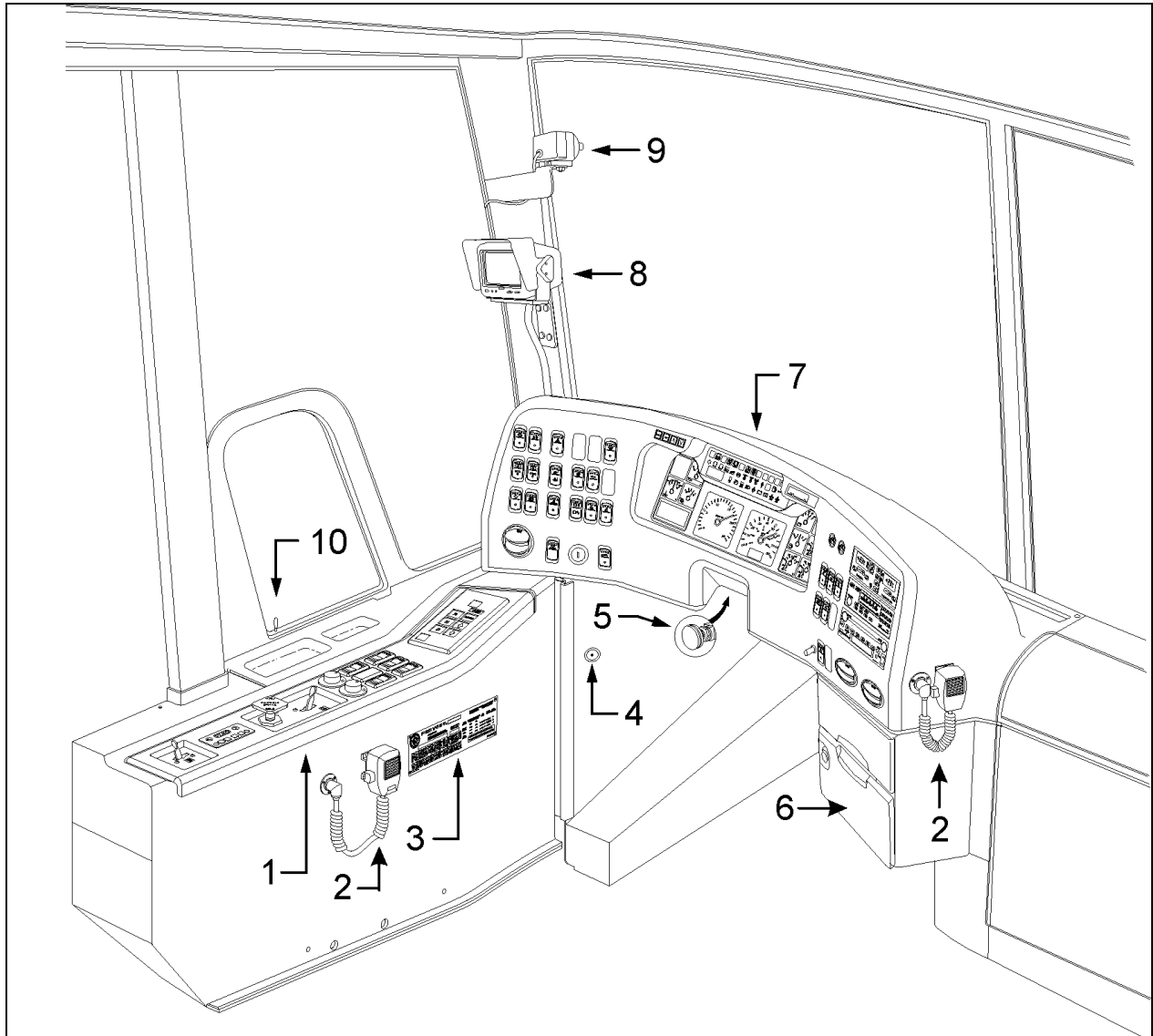
To avoid overheating the starter, do not engage the starter for more than 15 seconds at a time. Allow the starter to cool before trying to restart the engine.



#### CAUTION

If the “STARTER ON” Indicator light remains illuminated even after releasing the ignition switch, stop the engine immediately and set the battery master switch (ignition switch) to the OFF position. Have the starter checked immediately.

The features activated when the engine is running are all those described above plus the HVAC system and daytime running lights. The optional ether cold-start system is automatically deactivated once the engine runs.



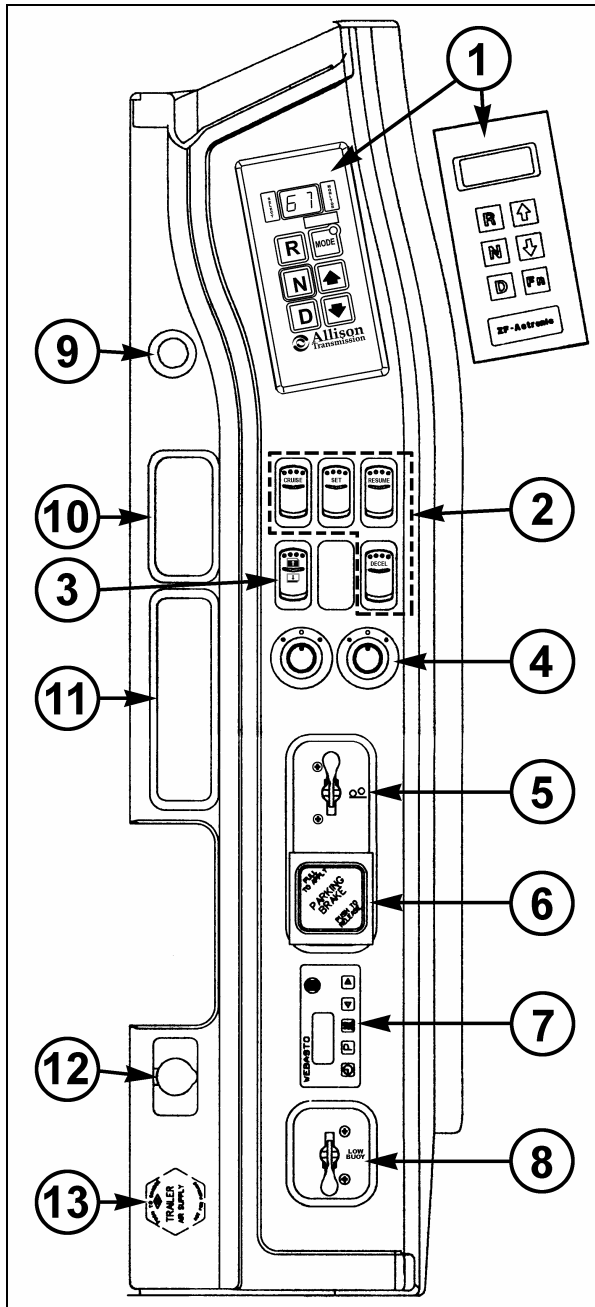
DRIVER'S SECTION

18604

1. Lateral control panel
2. Microphone
3. DOT certification plate
4. Diagnostic Data Reader (DDR) receptacle
5. Foot operated steering wheel adjustment unlock air valve
6. Driver's utility compartment
7. Dashboard
8. Rear view TV monitor (optional)
9. Front view scenic camera (optional)
10. Front service door unlocking pull rod

## 26 Controls and Instruments

### LATERAL CONTROL PANEL



1. Transmission control pad
2. Cruise control switches
3. Driver's power window switch
4. Mirror controls
5. Tag axle control valve
6. Parking brakes control valve
7. Coolant heater timer (option)
8. Low-buoy control valve (option)
9. Cigarette Lighter (option)
10. Ashtray (option)
11. Utility Compartment
12. 12-volt Appliances Socket
13. Trailer Air Supply Control Valve (option)

LATERAL CONTROL PANEL

06642

**TRANSMISSION CONTROL PAD (1)**

The control pad for the Allison or ZF transmission is located on the lateral control panel. Refer to "Automatic Transmission" in this chapter for operating instructions and more information.

**CRUISE CONTROL SWITCHES (2)**

The cruise control is part of the DDEC V electronic engine control that will maintain a set speed when the vehicle is traveling above 20 mph (32 km/h) without using the accelerator pedal.

**WARNING**

Do not use the cruise control when driving speed must be constantly adjusted, such as in heavy traffic or on winding, icy, snow-covered or slippery roads, or on gravel roads.

**WARNING**

Do not put the transmission in the neutral (N) position while driving with cruise control. This will cause the engine to over-speed and may result in a loss of driving control.

**Setting Coach Speed**

Depress the CRUISE rocker switch to activate the cruise control. A LED on the switch illuminates when the cruise control is activated. Accelerate the vehicle to the desired cruising speed using the accelerator pedal. Depress and release the SET switch then remove foot from the accelerator pedal. This will set the vehicle cruise speed and store it in memory.

**NOTE**

The CRUISE and RESUME switches do not operate at speeds below 20 mph (32 km/h).

**Increasing Set Speed**

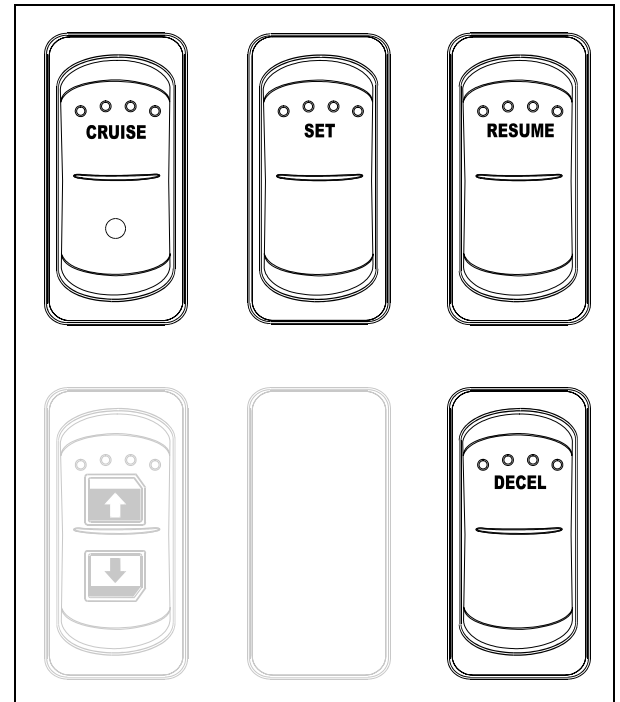
The vehicle cruise speed setting can be increased by one of the following methods:

- Depress and hold the RESUME switch until the desired cruising speed is reached. When the RESUME switch is released, the new cruising speed will be stored in the cruise control memory.
- Accelerate using the accelerator pedal until the desired cruising speed is reached. Depress and release the SET switch.

When driving with cruise control ON, each time the RESUME switch is momentarily depressed, the cruising set speed is raised by 0.6 mph (1.0 km/h).

**NOTE**

When driving with cruise control, the vehicle can still be accelerated by depressing the accelerator pedal in the usual manner. Once the accelerator pedal is released, the vehicle will return to the previously set cruising speed.



CRUISE CONTROL SWITCHES

06233

**Decreasing Set Speed**

The cruise speed setting can be decreased by one of the following methods:

- Depress and hold the SET switch until the desired cruising speed is reached. When the SET switch is released, the new cruising speed will be stored in the cruise control memory.
- Depressing momentarily the SET switch will decrease set cruising speed by 0.6 mph (1.0 km/h).
- Slightly apply the service brake.
- Depress and release the DECEL switch.

After disengaging the cruise control, you can return to the preset cruising speed by pressing and releasing the RESUME switch providing that your speed is above 20 mph (32 km/h).

## 28 Controls and Instruments

### NOTE

To avoid sudden vehicle hesitation, slightly depress the accelerator pedal before disengaging the cruise control.

### NOTE

When the CRUISE rocker switch is turned off, the cruise control is completely shut off and the cruise speed setting is erased from the cruise control memory.

### IMPORTANT NOTE

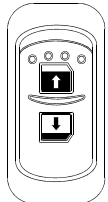
If the engine was stopped and the CRUISE rocker switch was in the ON position, the rocker switch must be reset by turning it OFF then ON again in order for the cruise control to be reactivated.



### WARNING

Every time the SET or the RESUME switch is depressed results in a decrease or increase (respectively) in cruising set speed of 0.6 mph (1.0 km/h).

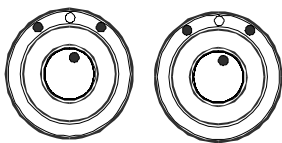
### POWER WINDOW SWITCH (3)



06338

Use the rocker switch to open or close the driver's power window.

### MIRROR CONTROLS (OPTION) (4)



06374

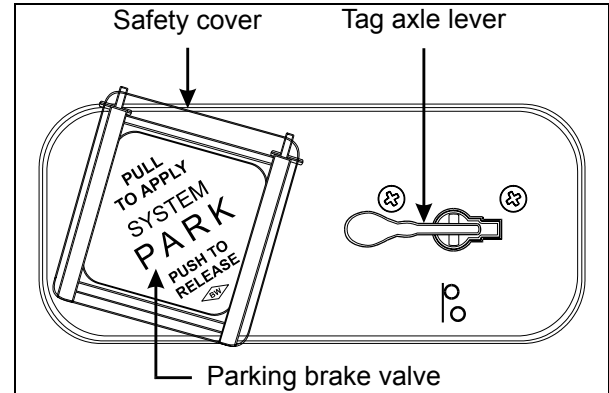
Turn left pointer knob counterclockwise for flat mirror adjustments and to the right for convex mirror adjustments, then use the joystick control to adjust the selected mirror's viewing angle. Adjust the right outside mirror similarly but by using the right side control.

### NOTE

If the mirror assemblies on your vehicle do not include convex mirrors, only one (1) mirror control knob will be installed for both mirrors. To operate, turn knob to the left for L.H. mirror adjustments and to the right for R.H. mirror adjustments, then use the joystick control to adjust the selected mirror's viewing angle.

### TAG AXLE CONTROL VALVE (5)

Lift the tag axle by pushing the lever forward. Pulling the lever back will lower the tag axle. Refer to "Other Features" chapter for additional information.



CONTROL VALVES

12129

### PARKING BRAKES CONTROL VALVE (6)

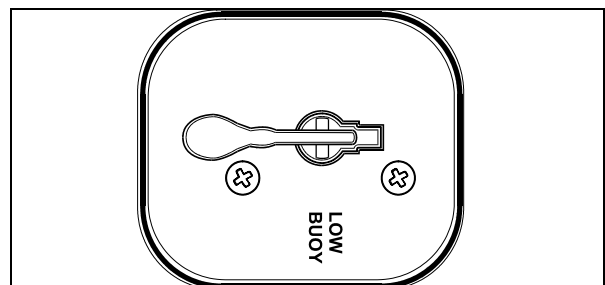
Spring-loaded parking brakes are applied by pulling up the control valve knob and protector assembly. Lift the safety cover and push down to release brakes. Refer to "Safety Features and Equipment" chapter.

### COOLANT HEATER TIMER (OPTION) (7)

Use the timer to program the start time of the optional engine coolant heater. Refer to "Other Features" chapter and supplied manufacturer's manual for additional information.

### LOW-BUOY CONTROL VALVE (OPTION) (8)

Toggle back the control lever to lower the coach by about four inches. Returning the lever to the normal (forward) position raises the vehicle back to its normal height.



LOW-BUOY CONTROL VALVE

16088



### CAUTION

Do not exceed speeds of 5 mph (8 Km/h) when activated.




**CIGARETTE LIGHTER (OPTION) (9)**

Push lighter in to activate. When ready to use, it will spring out automatically. Replace lighter in non-activated position. The cigarette lighter socket can be used to power 12-volt appliances (e.g. flashlight, vacuum cleaner). The maximum power consumption allowed for appliances plugged in this socket is 130 watts. Make sure the appliances are equipped with suitable plugs that will not damage the socket.

**NOTE**  
*The cigarette lighter can still be used after the ignition key has been removed.*

**ASHTRAY (OPTION) (10)**

To open the optional ashtray, push slightly on the cover's side. The ashtray can be removed for cleaning by pulling it out.

 **WARNING**  
To prevent a fire, never put paper or plastic wrappers in the ashtray, empty ashtray often.

**UTILITY COMPARTMENT (11)**

To open the compartment, lift the cover.

**12-VOLT APPLIANCES SOCKET (12)**

This 12 volts DC power outlet can be used to power small 12 volt DC appliances such as a cellular phone or a vacuum cleaner. The maximum power consumption allowed for appliances plugged in this socket is 130 watts. Make sure appliances are equipped with suitable plugs that will not damage the socket.

**TRAILER AIR SUPPLY CONTROL VALVE (OPTION) (13)**

The trailer air braking system is supplied by pushing this control valve.

**EMERGENCY/PARKING BRAKES OVERRULE CONTROL VALVE**

During normal operation, if air pressure in any brake circuit drops below 40 psi (276 kPa), spring-loaded emergency brake will be immediately applied at full capacity to the drive axle wheels to stop the vehicle. Search and correct the cause of this pressure drop before driving vehicle.

The coach may be equipped with the optional parking brake overrule system, which allows the vehicle to be driven to the nearest safe parking area even if air pressure is below 40 psi (276 kPa). To actuate the parking brakes overrule system, push and hold down the control valve located on the lateral control panel.

**BACK-UP CAMERA MONITOR**

An optional back-up camera is available which provides the driver with visual assistance when backing-up.

The TV monitor is mounted on the windshield L.H. side pillar and switches ON automatically when the transmission is in the reverse (R) range.

**SCENIC VIEWING SYSTEM CAMERA**

The optional scenic viewing system enables the passengers to view the road ahead of the vehicle. The camera is mounted above the back up camera monitor and the system is switched ON using the dashboard mounted FRONT CAMERA/TV switch.

**DIAGNOSTIC DATA READER (DDR) RECEPTACLE**

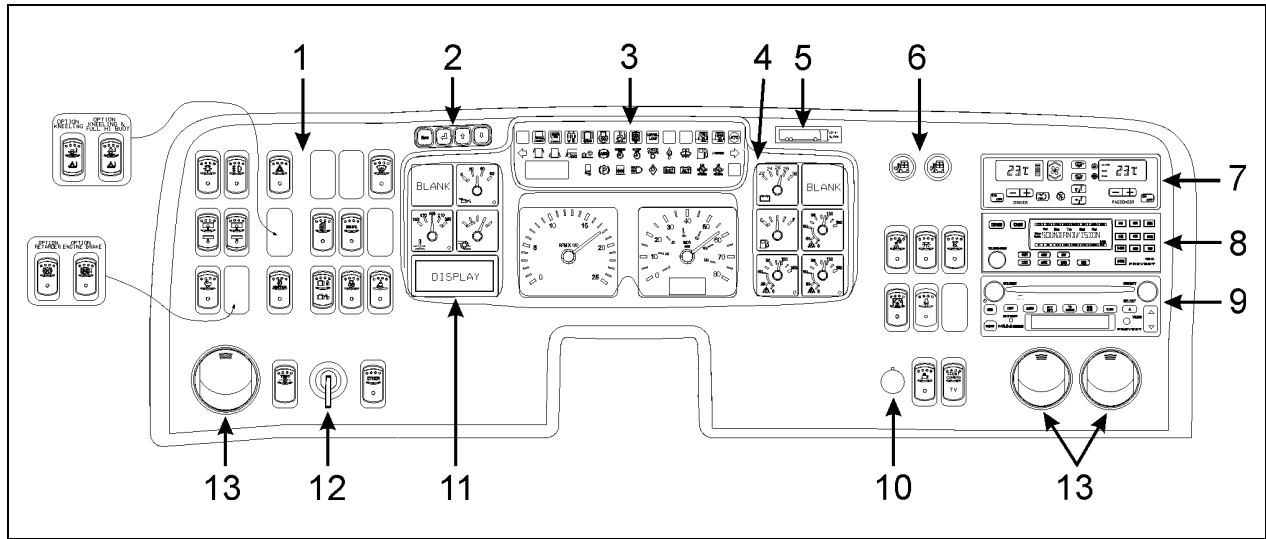
To facilitate troubleshooting of the DDEC, Allison transmission, ZF transmission and ABS systems and to obtain data logged in the ECM (Electronic Control Module) memory, a Diagnostic Data Reader (DDR) (not supplied) can be connected through the DDR receptacle. A user's manual is supplied with the optional DDR.

The DDR receptacle is located inside the footwell, on the upper left side wall.

**NOTE**  
*ZF transmission diagnostic data reader was not available at time of printing.*

## 30 Controls and Instruments

### DASHBOARD



DASHBOARD

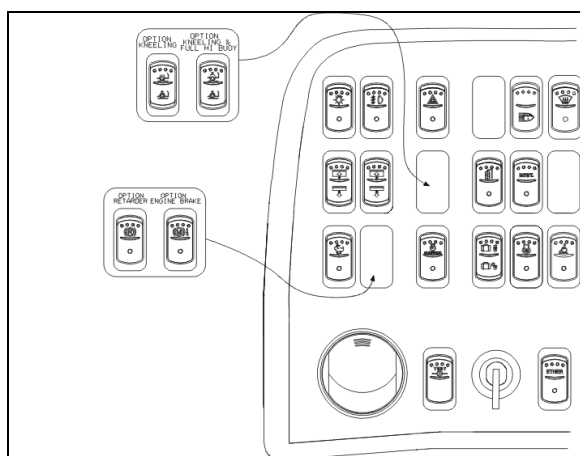
06610

1. L. H. Dashboard Panel
2. Message Center Display (MCD) keyboard
3. Telltale Panel
4. Gauges
5. Vehicle Clearance Information
6. R. H. Dashboard Panel
7. HVAC Control Unit
8. Sound Selector
9. VR300 AM/FM CD Radio
10. Brightness Control
11. Message Center Display (MCD)
12. Ignition Switch
13. Air Vents

## CONTROL SWITCHES

High quality laser-engraved switches are used to control many of the features of the vehicle. Many switches have an embedded indicator LED to inform the driver at a glance which features are active. Some switches' LED will turn **OFF** after a short while when the engine is running. This is normal and is designed to reduce glare when driving. The functions still operate even if the LED is **OFF**. If the switches are still **ON** when the engine is turned **OFF**, the LEDs will illuminate to warn the driver to turn them **OFF**. Switches are described in the order they appear, from left to right, top to bottom.

## L. H. DASHBOARD PANEL



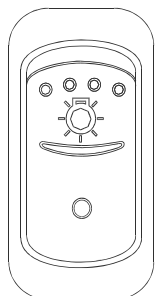
L. H. DASHBOARD PANEL

06611

The L.H. dashboard panel includes controls for the operation of the coach; it also includes the ether start control, the ignition switch and an adjustable air vent.

## Headlights and Exterior Lighting

Off position – Daytime running lights only



06254

Press this rocker switch to turn on the following lights:

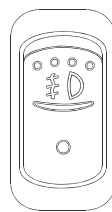
First position – Front parking lights, clearance lights, tail lights, license plate lights and marker lights.

Second position - Push down fully to turn **ON** the headlights, the controls and instrument lights and all lights from first position.

### NOTE

*Daytime running lights will be automatically cancelled when the exterior lighting switch is fully depressed (second position).*

## Fog Lights (Optional)



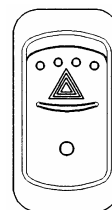
06255

Optional halogen fog lights provide better visibility in fog and precipitation. They improve close range visibility and provide added safety.

### NOTE

*Some states and provinces restrict the use of fog lights. Verify local state or provincial regulations before using.*

## Hazard Warning Flashers



06256

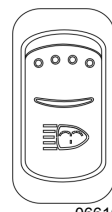
Press the rocker switch to make all turn signal lights flash at once. The dashboard telltale lights will flash when the hazard warning flashers are **ON**.



### CAUTION

Do not use the hazard flashers for an extended period of time unless necessary because the electrical circuits are activated when the hazard switch is depressed.

## Headlights washer



06616

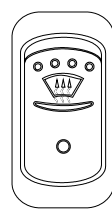
Momentarily press this rocker switch downwards to spray the headlights washer fluid. Each pressing of this switch produces 2 successive jets.



### CAUTION

Do not operate the washer mechanism if the washer fluid reservoir is empty. This may damage the washer fluid pumps.

## Windshield Upper Section De-icing

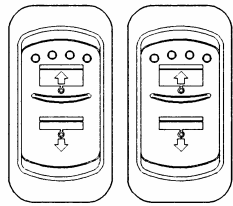


06259

The coach is equipped with a de-icing system in the windshield upper section. Press the rocker switch to activate the blower in order to clear fog, frost or thin ice from either side of the windshield upper sections.

## 32 Controls and Instruments

### Left and Right Sunshades



06353

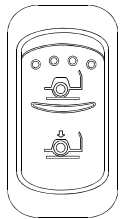
Press and hold to lower or raise left or right sun shade.



### CAUTION

Do not attempt to raise or lower these shades manually. Damage to electric motor or roller mechanism could result.

### Kneeling / Front Axle Hi-Buoy (Optional)

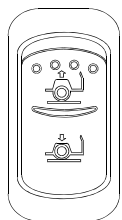


06250

Momentarily press the rocker switch downward to lower the front end of the coach 4 inches (100 mm). Momentarily press the rocker switch upward to return the coach to normal driving height. Refer to "Other Features" chapter for more information.

Press and hold the rocker switch upward to raise the front end of the coach 4 inches (100 mm). Release the rocker switch to return the coach to the normal driving height.

### Kneeling / Full Hi-Buoy (Optional)

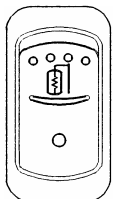


06251

Momentarily press the rocker switch downward to lower the front end of the coach 4 inches (100 mm). Momentarily press the rocker switch upward to return the coach to normal driving height. Refer to "Other Features" chapter.

Press and hold the rocker switch upward to raise the complete suspension of the coach 4 inches (100 mm). Release the rocker switch to return the coach to the normal driving height.

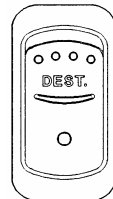
### Outside Mirror Heat (Optional)



06261

Press the rocker switch to clear fog, frost or thin ice from outside mirrors.

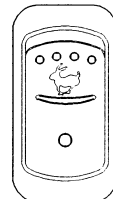
### Destination Sign (Optional)



06262

Press the rocker switch to illuminate the destination sign.

### Fast Idle



06264

For extended idling periods, run the engine at fast idle. Press down the rocker switch to engage fast idle. This increases the engine speed to approximately 1,000 rpm. Return to normal idle before driving or when stopping engine.



### CAUTION

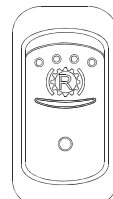
Reduce the engine to normal idle before shutting the engine OFF.

### NOTE

*If the parking brake is released and/or the transmission is engaged with the engine running at fast idle, the engine will return to normal idle and remain there as long as the parking brake is not applied and/or transmission is not placed in neutral (N).*

*The engine will return to fast idle once the parking brake is applied or neutral (N) selected.*

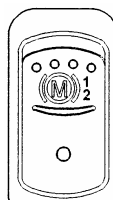
### Transmission Output Retarder (Optional)



06252

Press this rocker switch to activate the transmission retarder. Refer to "Transmission Output Retarder" in this chapter.

### JACOBS Engine Brake (Optional)



06253

Press this switch to the first position to actuate the system to 2/3 engine brake and press to the second position for a full application of engine brake. Refer to "Other Features" chapter.



## WARNING

Engine brake must be used on dry road only. Never use the engine brake on slippery roads; loss of control could result.

### NOTE

Engine brake is activated when accelerator pedal is released and the engine speed is higher than 750 rpm. Stoplights turn ON when the engine brake is used.

## Engine Stop Override and DDEC V Diagnostic Request



06265

Press this switch then release to override the emergency engine shutdown protection. Engine emergency shutdown will be turned OFF for 30 seconds. This procedure can be repeated if done before 30 seconds are up.



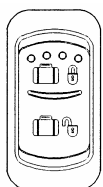
## CAUTION

Use sparingly and in order to move the vehicle to a safe parking place only. Excessive use can cause severe engine damage.

## DDEC V Diagnostic Request

With the engine at idle or OFF and with the ignition switch in the ON position, press and release the Engine Stop Override rocker switch. Active codes will be flashed on the "Stop Engine" and inactive codes on the "Check Engine" telltale lights alternately. The first digit of the diagnostic code is determined by the number of flashes before a short pause. The second number of the diagnostic code is then flashed in the same manner. As an example, code "25" (everything O.K.) consists of two flashes, followed by a short pause, then five flashes. Refer to the "Technical Information" chapter under "DDEC V Diagnostic Codes".

## Central Locking System (Optional)



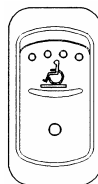
06266

This optional system enables locking baggage compartments and engine curb side door by pressing the switch forward. To unlock, press the switch rearward.

### NOTE

Compartments locked using keys cannot be unlocked with the central locking system.

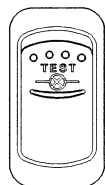
## Wheelchair Lift (Optional)



06268

Activate the optional wheelchair lift by pressing down on the rocker switch. Refer to "Other Features" section and to wheelchair lift system's Operator's Manual for operating instructions.

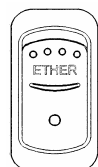
## Telltale Light Test



06263

Press down and maintain this switch at least 2 seconds to illuminate the telltale light panel. The telltale panel audible alarm will sound. Perform this test to verify indicator light and telltale panel audible alarm functionality.

## Ether Start (Optional)



06237

Activates the engine cold starting aid. Refer to "Starting and Stopping Procedures" chapter.



## CAUTION

Overuse of cold weather starting aid may lead to SEVERE engine damage.

## Driver Controlled Differential Lock (DCDL) (Optional)



06571

Press the rocker switch to lock or unlock differential action. Refer to "Other Features" chapter for the complete operating instructions.



## CAUTION

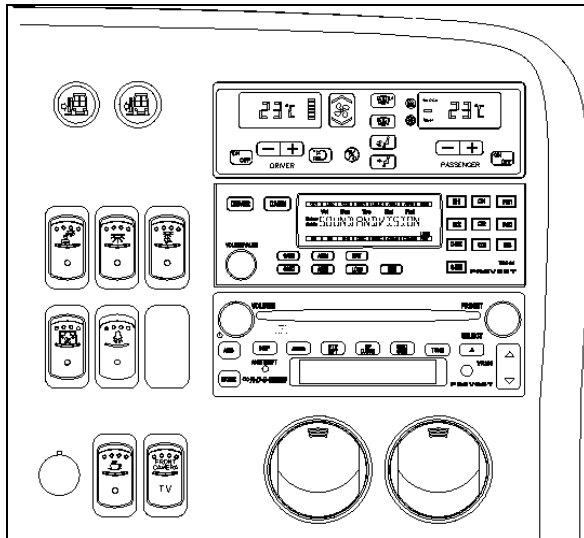
- Engage DCDL only under poor road surface conditions.
- DCDL will not engage and will disengage in speed higher than 5 MPH.
- Do not lock DCDL when one or more wheels are slipping, spinning or losing traction. You can damage the drive axle.
- Using the rocker switch, unlock DCDL when the need for improved traction has passed otherwise it will reengage automatically as speed gets below 5 MPH.

## 34 Controls and Instruments

Over a prolonged period, this situation will increase tire wear and stress to the vehicle.

- Do not engage during downhill operation.

### R. H. DASHBOARD PANEL

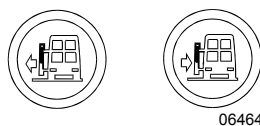


R. H. DASHBOARD PANEL

06612

The HVAC control module as well as the cluster dimmer switch, interior lighting control switches, entrance door operating buttons as well as miscellaneous control switches and air vents are located on the R.H. dashboard panel.

### Entrance Door Operating Buttons



06464

Press and hold the L.H. button to open the door and the R.H. button to close the door.

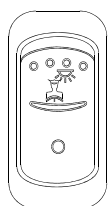
Releasing the button at any time will immediately stop door movement.



### WARNING

The door mechanism has no automatic safety protection to avoid injury to bystanders. The driver is responsible for the safe operation of the door.

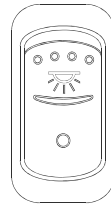
### Driver's Area Lighting



06244

Press the rocker switch to illuminate the ceiling lights in the driver's area as needed.

### Interior Lighting



06239

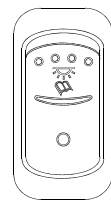
Press this rocker switch to the first position to illuminate the aisle fluorescent lighting. Press down the second position to illuminate the in-station fluorescent lights.



### CAUTION

To avoid running down the batteries when the engine is off, turn off the lights or connect the optional battery charger to a 110 - 120 volt AC power supply.

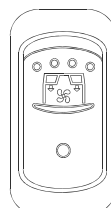
### Reading Lights



06240

This switch powers the reading light circuit enabling passengers to operate their personal reading lights. Refer to "Coach Interior" chapter.

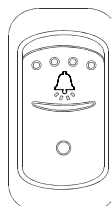
### Passenger Overhead Air Registers



06245

Press the switch to the first position to set the fans to low speed. Press the switch to the second position to set the fans to high speed. If equipped with the optional air conditioning in the overhead compartments, activating the fans also engages the dedicated A/C compressor.

### Stop / Service Chime (Optional)



06243

Press this switch to enable the stop / service chime. When depressed, the service buttons illuminate even when the chime circuit is not enabled.

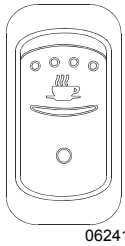
### Brightness Control



06249

Adjusts the brightness of the dashboard instruments and switches.

## Galley (Optional)



06241

This switch activates the galley's electrical circuit.

## Front Camera Switch (Optional)



06334

Press this switch to turn *ON* the camera in the windshield and display the road ahead on the passenger TV monitors. When the front camera is not enabled, the TV circuit reverts to the video cassette player output.

## HVAC Control Unit



22296

The vehicle is slightly pressurized by the central HVAC system to prevent dust and moisture from entering. Air flow and controls divide the vehicle into two areas: driver's area with defroster and passengers' area.

Fresh air is fed in each area and has a separate return air and discharge air duct.


### NOTE

*To operate the air conditioning system when stationary, run engine at fast idle. When the system is running, keep windows and door closed.*

To prevent battery run-down, the central A/C and heating systems will not operate if the charging system is not working properly.

When the A/C system is running, park at least 4 feet (1,5 m) from other vehicles or buildings to allow sufficient air flow through the condenser core.

Separate driver and passenger heating, ventilation and air conditioning controls are located on this panel. To operate, the vehicle's engine must be running.

The driver's and the passengers' units may be turned ON by pressing  button.

Also, the driver's HVAC section turns on automatically at starting of the engine and uses the settings that were kept in memory before turning off of the system.

The A/C compressor starts automatically when the two following conditions are satisfied:

1. The outside temperature is above 32°F (0°C).
2. The passenger's area temperature has reached 7°F (4°C) under the set point.

### NOTE

*Upon starting, if the outside temperature is above 32°F (0°C) and then drops below 32°F (0°C), the compressor will keep running up to a temperature of 15°F (-9°C) to prevent condensation from forming on the windows.*

All parameters set before turning the system OFF will be kept in memory for the next power ON.

The HVAC module performs a self diagnosis every time it is turned ON. Codes are shown on displays or flashed on control buttons. Refer to "Maintenance Manual" for more information on the diagnostic codes.

## Heating Mode Indicator



22131

This red LED illuminates when system is heating.

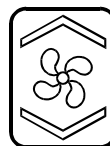
## Cooling Mode Indicator



22134

This green LED illuminates when the system is cooling (when the compressor clutch is engaged).

## Fan Speed



22135

The driver's fan has six speeds. Increase speed by pressing on the upper portion of the button, decrease by pressing on the lower portion.

## Recirculate



22138

Closes or opens the driver's and passenger's section fresh air damper.

## 36 Controls and Instruments

A red LED in the top right corner of the button illuminates when air is recirculated. Use for faster driver's section heating.

This feature is automatically cancelled when defogging is activated.

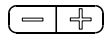
### Driver's section temperature setting



22303

The temperature displayed on the driver's side HVAC control unit is the temperature set point.

To increase the temperature set point, press on the "+" sign, to decrease the temperature set point, press on the "-" sign. Temperature range is between 60°F and 82°F (16°C to 28°C). On the driver's side only, asking for a temperature set point above 82°F (28°C) will keep the coolant valve open and "FUL" will be displayed.



22132

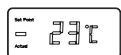
In case of interior temperature sender unit failure, the coolant valve will remain open and three lines "---" will be displayed.



### WARNING

Warm temperatures may cause drowsiness and affect alertness while driving. Keep the temperature comfortable but not too high.

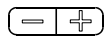
### Passenger's section temperature setting



22304

The temperature displayed on the passenger's side HVAC control unit is the actual temperature in the passenger's area.

To increase or decrease the temperature set point in the passenger's area, press on the "+" or the "-" sign. Pressing these buttons will flash the displayed set point and the word "SET" will highlight. Temperature range is between 60°F and 82°F (16°C to 28°C).



22132

In case of interior temperature sender unit failure, the coolant valve will remain open and three lines "---" will be displayed.

### NOTE

Upon starting of the vehicle, when the ambient temperature is very cold and so is the inside of the vehicle, the HVAC control unit will permit a temperature overshoot up to 3° over the

*passenger's area set point to help warming up of the area because some parts of the vehicle like the seats and the overhead compartments accumulate cold.*

### Windshield Defogger

Upon pressing this button, the dashboard damper sends air only to the lower windshield. The fan is turned on to maximum speed, the fresh air damper opens completely (REC off) and the driver set point is increased to 4°F (2°C) over the passenger's section set point.



22305

The dashboard damper sends air only to the lower windshield when activated. The footwell damper is closed also but the fan speed can be reduced or increased.



22139

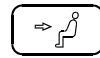
### Panel and Footwell



22137

The dashboard damper sends air to the panel vents and footwell.

### Panel



22136

Air is sent to panel registers. The footwell damper is closed.

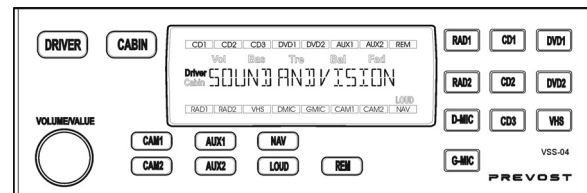
### Temperature Degree Selector



22133

Toggles the HVAC control unit temperature units between Fahrenheit and Celsius. The driver's section must be on. Also toggles the outside temperature units displayed on the telltale panel.

### VSS-04 Sound Selector



23350

The VSS-04 Sound Selector enables the driver to independently select audio and video entertainment, control volume level and sound settings in the passenger and driver's areas. The dashboard radio, DVD player, video cassette player, the P.A. system, auxiliary systems and other components are controlled by this unit.



## Controls and features

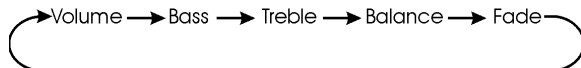
**Power switch:** there is no power button. The unit turns on automatically when the ignition switch is set to ACC or ON position and turns off when the ignition switch is set to OFF position. Start image shows "SOUND AND VISION".

**DRIVER:** press to adjust sound settings and select audio/video source for the driver's area. Driver's and passenger's systems are independent systems. RAD1 is default source.

**CABIN:** press to adjust sound settings and select audio/video source for the passenger's area.

**VOLUME/VALUE:** turn to adjust volume level or sound settings value for the selected audio/video source (RAD1 is default source). Each source has independent settings of volume, bass, treble, etc.

Press repeatedly to select sound settings. Settings will change as follow:



**CAM1:** press to select the optional back-up camera as current video source. Press a second time to cancel. This function can be selected simultaneously with an audio function like the radio, the driver or guide microphone or a CD player.

**NOTE**

*The back-up camera turns on automatically when the transmission selector is set to reverse "R".*

**CAM2:** press to turn on the optional panoramic view camera. Press a second time to turn off. This function can be selected simultaneously with an audio function like the radio, the driver or guide microphone or a CD player.

**AUX1, AUX2:** press to select an auxiliary audio/video source like a second VHS. Press a second time to cancel the selection.

**NAV:** press to select the navigation system display as current video source. Press a second time to cancel.

**LOUD:** press to increase the low frequencies level of the selected audio/video source. Press a second time to cancel.

**REM:** press to enable use of the remote control to operate selection of sources, settings of volume, bass, treble, etc. Press a second time to cancel use of the remote control.

**NOTE**

*Point the remote control in direction of the Sound Selector.*

**RAD1:** press to select the dashboard radio as current source audio for the chosen area. Press a second time to cancel.

**RAD2:** press to select an optional radio (satellite radio for example) as current audio source for the chosen area. Press a second time to cancel.

**D-MIC:** press to turn on driver microphone. Press a second time to turn off. When the microphone is active, turn VOLUME/VALUE button to adjust volume.

**G-MIC:** press to turn on the guide microphone. Press a second time to turn off. When the microphone is active, turn VOLUME/VALUE button to adjust volume.

**CD1, CD2, CD3:** press to select up to 3 different remote CD players as current source. Press a second time to turn CD player off.

**DVD1:** press to select DVD Player #1 as current source. Press a second time to turn off DVD Player #1.

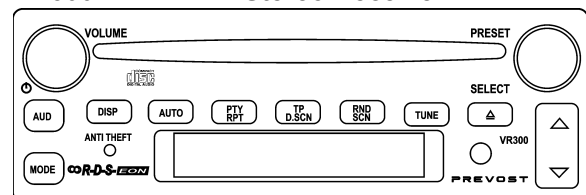
**DVD2:** press to select DVD Player #2 as current source. Press a second time to turn off DVD Player #2.

**VHS:** press to select VHS as current source. Press a second time to turn VHS off.

**NOTE**

*Remote control battery replacement. Use CR2025 lithium battery.*

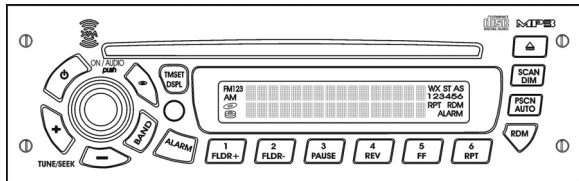
### VR300 CD/AM/FM Stereo Receiver



## 38 Controls and Instruments

You can select from several bands of entertainment (AM/FM) and information (WX weather band) radio services. You can play a CD inserted in the radio's CD slot or control a remote CD Changer with this unit. The complete radio operating instructions manual is included in *section 23: Accessories* of your vehicle's maintenance manual.

### Satellite Radio (optional)



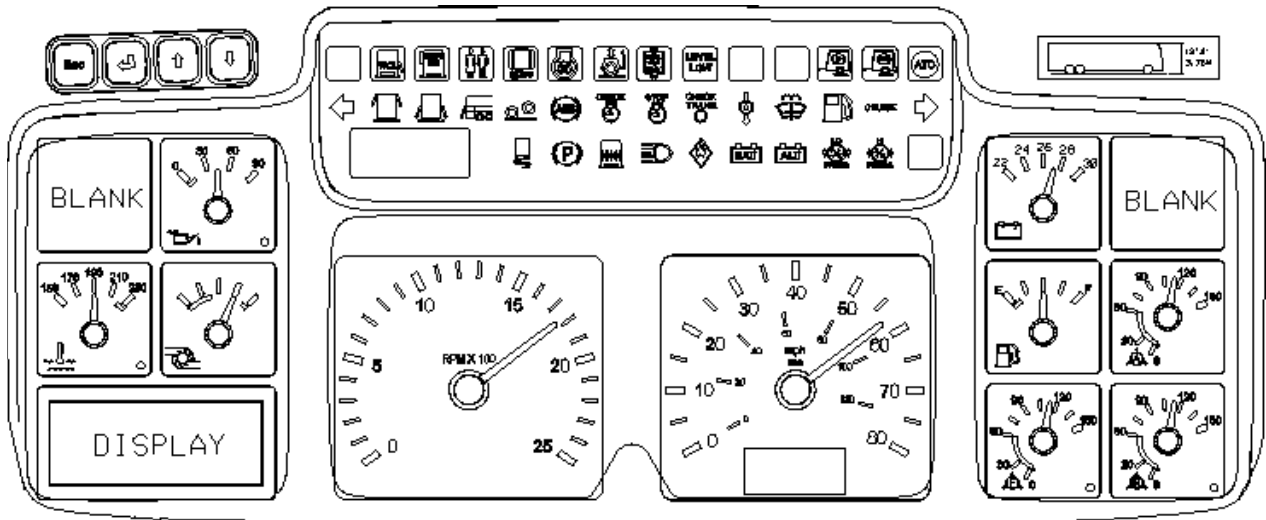
23355

This satellite radio may be located on the dashboard or inside the first driver's side overhead compartment. The complete operating instruction manual is included in your vehicle's *technical publications box*.

### AIR VENTS

Three adjustable driver air vents in the dashboard and one near the door feed air to the driver's compartment. Use the HVAC control panel to set air temperature and fan speed.

## INSTRUMENT CLUSTER

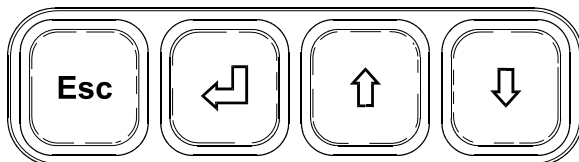


### INSTRUMENT CLUSTER

06613

The instrument cluster incorporates the Message Center Display, the Telltale Panel, the Gauges and Vehicle Clearance Information.

### MESSAGE CENTER DISPLAY (MCD)



06399

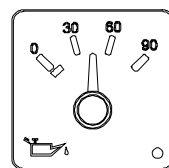
This standard feature gathers, stores and displays important information about the vehicle's operation on a display screen on the lower left portion of the cluster. Refer to Message Center Display in Other Features chapter for a description of how to set up and operate the Message Center Display.

### DASHBOARD GAUGES

#### NOTE

Do not refer to dashboard instruments during adjustment procedures. Use only calibrated gauges.

### Engine Oil Pressure



06229C

Indicates engine oil pressure. The normal reading should be between 50 and 70 psi (345 - 480 kPa) at 55 mph (90 km/h). A low oil pressure indicator LED (bottom right corner of gauge) illuminates when the oil pressure drops below 50 psi (345 kPa).

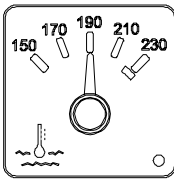
An audible alert signal also informs the driver of low oil pressure. Refer to Safety Features and Equipment chapter for table of audible alerts.



## CAUTION

Loss of oil pressure may cause severe engine damage. If low oil pressure LED illuminates, park the vehicle safely and stop the engine immediately. Request service assistance.

### Engine Coolant Temperature

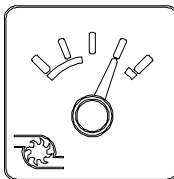


06231

Indicates the operating temperature of the engine coolant. The normal reading should be between 190°F and 222°F (88°C to 106°C).

A high coolant temperature indicator LED (bottom right corner of gauge) illuminates when the coolant temperature rises above 223°F (106°C). An audible alert signal also informs the driver of this condition. Refer to Safety Features and Equipment chapter for table of audible alerts.

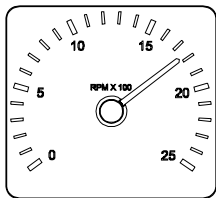
### Turbo Boost Pressure



06230

Indicates turbo boost pressure in psi. Reading depends on engine rpm and load conditions.

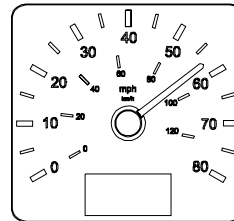
### Tachometer



06221

Indicates the operating speed of the engine in hundreds of revolutions per minute (rpm x 100). The tachometer serves as a guide for gear shifting and helps to prevent engine over-speeding when driving downhill with the JACOBS engine brake operating. The maximum allowed engine speed is 2,450 rpm.

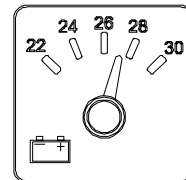
### Speedometer



06222

Indicates the vehicle speed in miles per hour (mph) and kilometers per hour (km/h). The digital odometer records the distance traveled in miles or in kilometers (units are driver selectable).

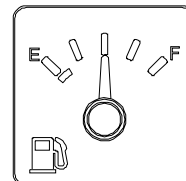
### Voltmeter (24-Volt System)



06224

Indicates the condition of the 24-volt electrical system. With the engine running, the normal reading should be between 26.5 and 28.0 volts.


### Fuel level



06225

Indicates the amount of fuel remaining in the fuel tank.

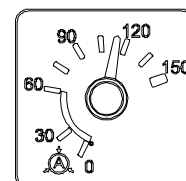
A telltale light illuminates when about 12 US gallons (45 liters) of fuel remain in the fuel tank.



## CAUTION

Operating the vehicle when the reading is below 1/8 full is not recommended.

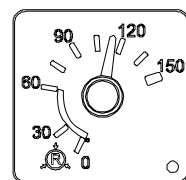
### Accessories Air Pressure



06226

Indicates the accessories air system pressure. The normal operating pressure is from 95 to 125 psi (655 to 860 kPa).

### Primary System Air Pressure (Rear)



06228

Indicates the primary air system pressure. The normal operating pressure is from 95 to 125 psi (655 to 860 kPa).

# 40 Controls and Instruments

A low air pressure indicator LED (bottom right corner of gauge) illuminates when the primary air system pressure drops below 66 psi (455 kPa). An audible alert signal also informs the driver of low air pressure. Refer to Safety Features and Equipment chapter for table of audible alerts. If the air pressure drops below 40 psi (276 kPa), the emergency brake applies at full capacity.

DANGER

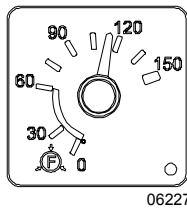
Do not drive the coach when air pressure is low.

A low air pressure indicator LED (bottom right corner of gauge) illuminates when the secondary air system pressure drops below 66 psi (455 kPa). An audible alert signal also informs the driver of low air pressure. Refer to Safety Features and Equipment chapter for table of audible alerts. If the air pressure drops below 40 psi (276 kPa), the emergency brake applies at full capacity.

DANGER

Do not drive the coach when air pressure is low.

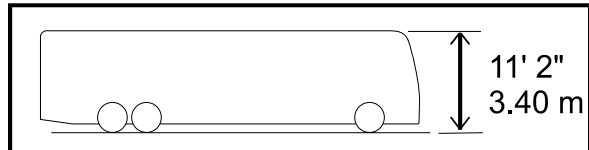
## Secondary System Air Pressure (Front)



Indicates the secondary air system pressure. The normal operating pressure is from 95 to 125 psi (655 to 860 kPa).

06227

## Vehicle Clearance Information



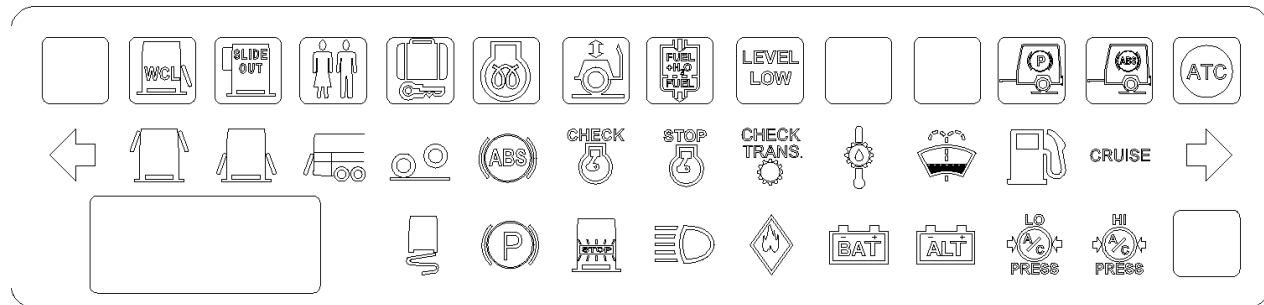
06447

Normal vehicle clearance is 11' 2" (3,40 m).

WARNING

Vehicle clearance is higher when the ventilation hatch is open; if Hi-Buoy is activated or if additional equipment is installed on the roof.

## TELLTALE PANEL



TELLTALE PANEL

06614

Some telltale lights described below appear on the telltale panel only if the corresponding optional equipment is installed on the vehicle.

### Wheelchair Lift Door Ajar



Illuminates when the wheelchair lift compartment door and/or the wheelchair access door are open. The parking brake is activated when this door is open. Refer to Other Features chapter.

WARNING

Opening the door at a speed under 5 mph (8 km/h) will activate the parking brake and sound an audible alert.

### Lavatory Door Locked



Illuminates when the lavatory door is locked.

## Baggage Compartment Unlocked



Illuminates when one or more baggage compartment doors are unlocked.

06387

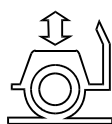
## Preheater



Illuminates when the preheating system is in operation.

06553

## Kneeling / Hi-Buoy Active



Illuminates when Kneeling or Hi-Buoy is active. An audible alert also informs the driver during operation. Refer to Safety Features and Equipment chapter.

06448

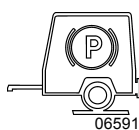
## Fuel Filter/Water Separator



Illuminates when accumulated water in the optional fuel filter/water separator needs to be drained. Refer to Care and Maintenance chapter.

06291

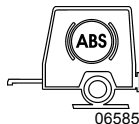
## Trailer Emergency / Parking brake



Illuminates when the trailer emergency/parking brake is unexpectedly applied as when the vehicle is moving and a parking brake air line rupture happens.

06591

## Trailer Antilock Brake System (ABS)



Illuminates when the trailer ABS is malfunctioning.

06585

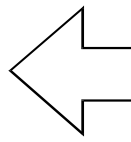
## Automatic Traction Control (ATC)



Illuminates when the automatic traction control system intervenes to prevent excess wheel spin during acceleration.

06587

## Left Turn Signal



Flashes when the left turn signals are activated. Signal right and left turns by operating the multi-function lever. See Steering Column Controls in this chapter.

06290

### NOTE

*The directional signals are automatically activated when the vehicle is backing up.*

## Emergency Window Open



Illuminates when an emergency window is open or unlocked.

06572

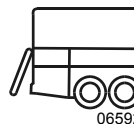
## Baggage Bay Door Ajar



Illuminates when one or more baggage bay doors are ajar.

06573

## Engine Door Ajar



Illuminates when the engine compartment door is ajar.

06592

## Retracted Tag Axle



Illuminates when the tag axle is retracted. The telltale panel audible alarm will sound to warn the driver. The control valve is located on the L.H. lateral console.

06271

## Antilock Brake System (ABS)



Illuminates when the ABS is not available or when the ABS is malfunctioning. Since the ABS system does not operate at less than 4 mph (7 km/h), the indicator will remain illuminated until the coach reaches that speed. Refer to "Other Features" chapter.

06272

## 42 Controls and Instruments

### Check Engine



Illuminates when the ignition switch is *ON* as a light bulb check. The light should turn *OFF* after five seconds. If the indicator remains

*ON* after five seconds or comes *ON* sometime after starting the engine, the Detroit Diesel Electronic Control (DDEC) system has detected a minor problem.

The indicator light will remain *ON* until the malfunction has been corrected.

A diagnostic code will be stored in the memory and the indicator can be used to identify the problem. Refer to the "Technical Information" chapter under "DDEC V Diagnostic Codes".

### STOP Engine



Illuminates when the ignition switch is *ON* as a light bulb and DDEC system check. The indicator should go *OFF* after five seconds.

If the indicator remains illuminated after five seconds or comes *ON* sometime after starting the engine, the DDEC system has detected a major problem. Immediately park the coach in a safe place and stop the engine.

When a problem is detected, the engine power will automatically begin to decrease gradually, followed by full shutdown after 30 seconds.

The engine emergency shutdown may be bypassed by using the "Engine Stop Override" switch on the L.H. lower control panel.

#### **NOTE**

*Once the engine is stopped, it cannot be restarted until the problem has been corrected. A diagnostic code will be stored in memory. The STOP engine indicator can be used to identify the problem. Refer to Technical Information chapter under "DDEC V Diagnostic Codes".*

### Check Transmission



Illuminates briefly when the engine is started as a light bulb test. The indicator light should go out after two seconds.

When the "CHECK TRAN" indicator is illuminated and the shift selector emits short

beeps for 8 seconds, the electronic control unit (ECU) is restricting transmission shifting because special or abnormal conditions are detected. The control pad display will be blank.

If this happens, drive the coach to the next available service center to receive assistance. The ECU will not respond to shift selector requests since operating limitations are being placed on the transmission (i.e. upshifts and downshifts may be restricted). Direction changes and shifts to and from neutral (N) will not occur.

Any time the CHECK TRANS telltale light illuminates, the ECU will register a diagnostic code. It may be identified on the Allison or ZF transmission display or by using a diagnostic tool. Refer to "Technical Information" chapter.

#### **NOTE**

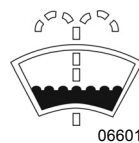
*The CHECK TRANS indicator may also illuminate when starting the engine in extremely cold weather. Refer to Allison Transmission or ZF Transmission Warm-Up in "Starting and Stopping Procedures".*

### Transmission Fluid Temperature



Illuminates when the transmission fluid temperature is too high. Disengage the retarder to allow the oil temperature to cool down.

### Windshield Washer or Headlights Washer Fluid Low



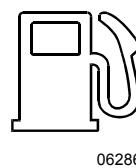
Illuminates when the windshield washer or the headlights washer fluid level is low. The washer fluid reservoirs are located inside the front service compartment.



#### **WARNING**

Do not drive without sufficient windshield washer fluid.

### Fuel Level Low



Illuminates when approximately 12 US gallons (45 liters) of fuel remains in the tank. After the light comes *ON*, the remaining fuel will provide no more than 60 miles (100 km) of travel. Do not exceed this distance.

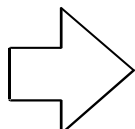
**NOTE**

*Refuel as soon as possible.*

**Cruise Control Enabled**

**CRUISE** Illuminates when cruise control is enabled.  
06284

**Right Turn Signal**



06289

Flashes when the right turn signals are activated. Signal right and left turns by operating the multi-function lever. See Steering Column Controls in this chapter.

**NOTE**

*The directional signals are automatically activated when the vehicle is backing up.*

**Freezing Conditions**



06273

Flashes for about 10 seconds every 15 minutes when the outside temperature is in the range between 2°C and 1°C (35°F to 34°F), when the road is most slippery.

**Emergency/Parking Brake**



06303

Illuminates when the emergency/parking brake is applied. The control valve is located on the L.H. control panel. An audible alert will sound if ignition is turned to *OFF* and the parking brake is not engaged.

**Stoptlights ON**



06305

Illuminates when rear stoptlights illuminate. This occurs when service brake, engine brake or transmission retarder is applied and when the parking brakes are applied with engine running.

**High Beam ON**



06300

Illuminates when high beams are selected. High and low beams are selected by operating the multi-function lever. Refer to Steering Column Controls heading in this chapter.

**Fire Detected**



06288

Illuminates if a fire is detected in the engine compartment while the vehicle is on the road. An audible alert informs the driver when a fire is detected. In case of fire detection when parked (parking brake applied, engine running or not), the electric horn is activated to alert the driver. Refer to Safety Features and Equipment chapter.



**DANGER**

In case of a fire, stop the vehicle immediately, stop the engine and evacuate the vehicle.

**NOTE**

*It is possible to cancel an alarm while on the road. To do so, stop the vehicle. Cycle the ignition between the ON and OFF position and then start the vehicle normally. This can be done on a temporary basis when a false alarm is activated by a defective fire detector. The driver can go on without being annoyed by the alarm.*

**NOTE**

*To stop the electric horn alarm when parked, cycle the ignition between the ON and OFF position twice within 3 seconds.*

**NOTE**

*For extinguisher's location, refer to Safety Features and Equipment chapter.*

**Battery Voltage Incorrect**



06588

Illuminates when the battery voltage is too high, too low or not equalized.

**NOTE**

*To identify the battery problem (too high, too low or not equalized voltage), using the message center display (MCD), perform a system diagnostic by selecting SYSTEM DIAGNOSTIC, FAULT DIAGNOSTIC & ELECTRICAL SYSTEM and see the fault messages.*

## 44 Controls and Instruments

### NOTE

The high/low battery voltage indicator will illuminate for a few seconds after the engine is started because of the voltage drop when the starter is engaged.

### NOTE

To prevent discharge of the batteries when the engine is not running, some functions are automatically switched off if the batteries voltage drops below 24.4 volts for more than 30 seconds. The "BAT" telltale light blinks while this protection mode is active. Set the ignition key to the OFF position and then turn the ignition key to the ON position to reactivate the functions for a period of 30 seconds before they switch off again.

### Alternator



06586

Illuminates when one of the alternators is not charging.

### NOTE

To identify which alternator is defective (1=lower, 2=upper), using the message center display (MCD), perform a system diagnostic by selecting SYSTEM DIAGNOSTIC, FAULT DIAGNOSTIC & ELECTRICAL SYSTEM and see the fault messages.

### A/C System Pressure Low



06298

Illuminates when the A/C system pressure is too low. If the A/C pressure is too low, the compressor clutch disengages and the fan stops.

Refer to the Maintenance Manual for information on control panel troubleshooting mode.

### NOTE

When outside temperature is low, it is possible and normal for that telltale light to come ON.

### A/C System Pressure High



06296

Illuminates when the A/C system pressure is too high. If the A/C pressure is too high, the compressor clutch is disengaged, but the fan remains activated.

Refer to the Maintenance Manual for information on control panel troubleshooting mode.

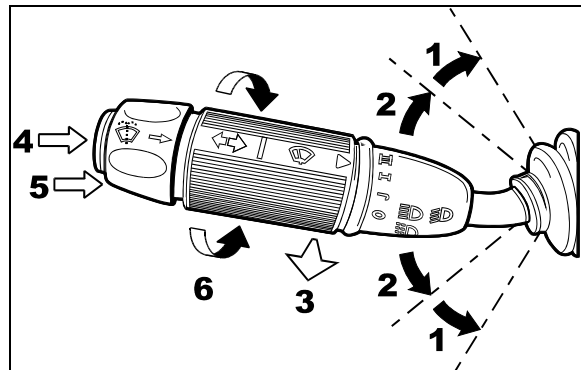
### NOTE

When outside temperature is high, it is possible and normal for that telltale light to come ON.

## STEERING COLUMN CONTROLS

Many of the most frequently used controls are conveniently placed on the steering column or the steering wheel, just like a passenger car. The Multi-function lever is located on the left side of the steering wheel while the optional transmission retarder lever is located on the right side of the steering wheel. Switches for the electric horn and the air horn are located directly on the steering wheel.

### MULTI-FUNCTION LEVER



MULTI-FUNCTION LEVER

23133

The multi-function lever is used to operate the following:

#### Turn Signal (1)

Move the lever all the way up until it locks in position to signal a right turn. Move the lever all the way down until it locks in position to signal a left turn. The lever automatically returns to the horizontal OFF position once the turn is completed.

#### Lane Change Signal (2)

Move the lever part way to the catch position and hold until the lane change maneuver is completed. The lever will spring back into the OFF position once released.



## Headlight Beam Toggle Switch (3)

Toggle between high and low beams by pulling the lever up towards you. To flash the headlights, pull the lever up halfway. The lever will spring back into normal position once released.

## Courtesy Blinkers (4)

Clearance and parking lights can be flashed by pressing the button located on the lever tip.

## Windshield Washer Control (5)

Push the external ring at the end of the lever toward the steering column to activate the windshield washers. The wipers come *ON* and continue wiping for a few seconds after the ring is released.



### WARNING

Before using the windshield washers in cold weather, heat the windshield with the defroster to prevent icing and reduced visibility.



### CAUTION

To avoid damaging the pump mechanism, do not use the windshield washer when the fluid level is very low or empty.

## Windshield Washers (6)

Turn the lever counterclockwise to activate the windshield wipers. The first position activates the wipers intermittently. The second position is the low speed and the third position is the high speed.



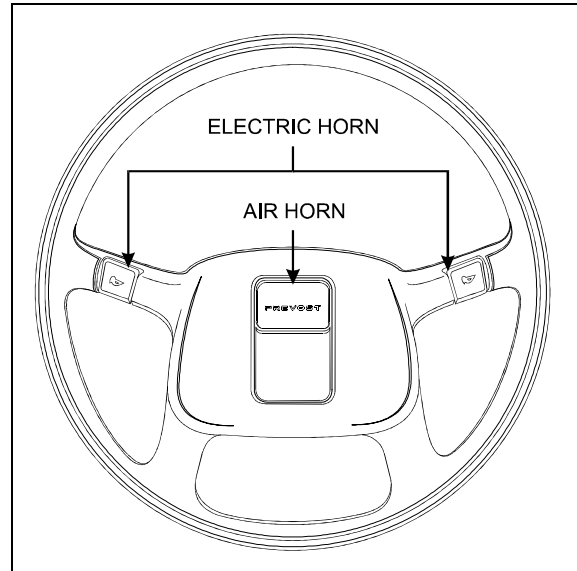
### CAUTION

To avoid scratching the windshield, do not operate the wipers when the windshield is dry. To avoid damaging the wiper motor, free wiper blades that may be frozen to the windshield before operating the wipers.

## HORN

### ELECTRIC HORN

The electric horn buttons are on the steering wheel spokes. Use only the electric horn in urban areas.



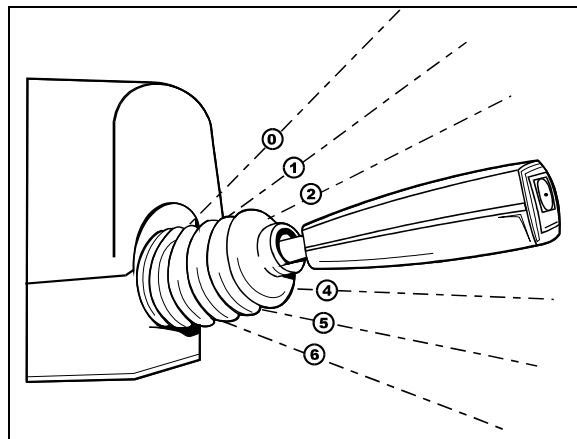
STEERING WHEEL

14029

### AIR HORN

The air horn button is located on the center of the steering wheel. Use this horn only on the highway.

## ALLISON TRANSMISSION RETARDER



RETARDER HAND LEVER

23132

## 46 Controls and Instruments

### OPERATING THE TRANSMISSION OUTPUT RETARDER

The transmission output retarder may be activated in two different ways depending on whether the accelerator pedal is released or not.

#### Method #1: Operating the retarder using the hand lever

With the retarder activated (retarder switch depressed) and the accelerator pedal released, move the output retarder lever clockwise from the first to the sixth position. The efficiency for each position is as follows.

#### **NOTE**

*The output retarder lever is located on the right side of the steering column.*

Position	Efficiency (%)
Initial	0
1 <sup>e</sup>	16
2 <sup>e</sup>	33
3 <sup>e</sup>	49
4 <sup>e</sup>	71
5 <sup>e</sup>	89
6 <sup>e</sup>	100

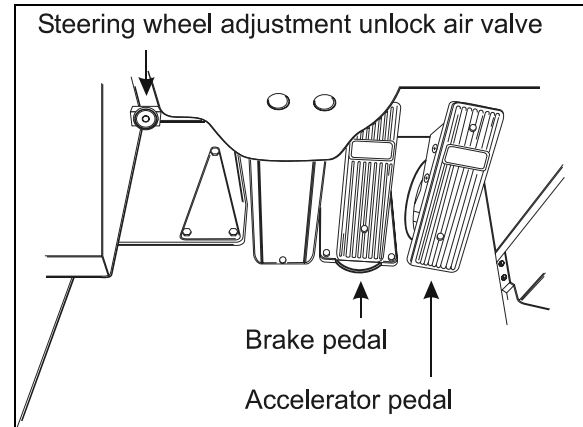
#### Method #2: Operating the retarder using the brake pedal

With the retarder activated (retarder switch depressed), the accelerator pedal released and the output retarder lever in the initial position, apply the brake pedal as if using the service brake. The further the brake pedal is depressed, the more the output retarder is applied. Refer to "Other Features" chapter for more information about the transmission retarder.

#### **NOTE**

*For vehicles equipped with the Antilock Braking System (ABS), if the wheels start to lock up on slippery roads, the output retarder will automatically deactivate until the wheels turn freely.*

### FOOT-OPERATED CONTROLS



FOOT-OPERATED CONTROLS

00023A

#### BRAKE PEDAL

The coach is equipped with a dual braking system. The front brakes operate from a different air pressure source from the drive and tag axle brakes. The dual braking system becomes a modulated emergency system if a pressure drop occurs in the primary brake system.

Service brakes are applied by depressing the brake pedal. Braking increases with the amount of pressure applied to the foot pedal. Refer to Other Features chapter under Antilock Braking System. When the brake pedal is depressed, the brake lights turn *ON* automatically.

For safe and effective braking, the air system pressure should reach at least 95 psi (655 kPa) in both the primary and secondary circuits. A warning light and an audible alert will sound when the air pressure in either the primary or secondary circuits drops below 66 psi (455 kPa). If this occurs, stop the coach; determine the cause of the pressure loss before proceeding. The brake pedal can be used in conjunction with the transmission retarder. Refer to Transmission Output Retarder in this chapter.



#### **DANGER**

Immediately report any brake system problem to your company or directly to the nearest Prevost or Prevost-approved service center.

Do not "fan" or "pump" the brake pedal. This practice does not increase brake system effectiveness but rather reduces system air pressure thereby causing reduced braking effectiveness.



**CAUTION**

"Riding" the brake by resting one's foot on the brake pedal when not braking can cause abnormally high brake temperature, can damage and cause premature wear of brake components and reduce brake effectiveness.

**ACCELERATOR PEDAL**

Controls engine RPM as needed.

**NOTE**

*The accelerator pedal will not operate when the entrance door is open.*

**ALLISON AUTOMATIC TRANSMISSION**

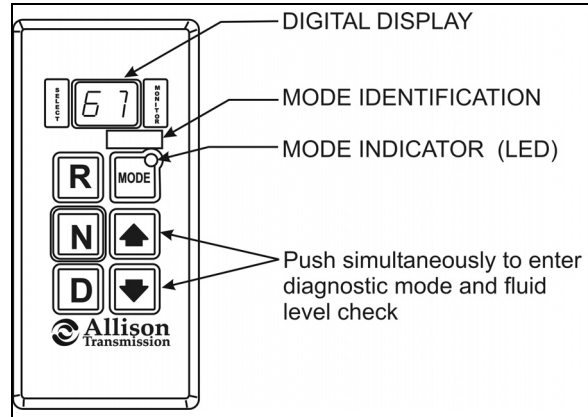
The transmission is fully automatic: Proper ranges should be automatically selected according to driving speeds to improve vehicle performance and control. The speed ratio of the power converter changes automatically as vehicle speed increases and direct-drive goes in and out as necessary. The speed ratio is modulated by vehicle speed and accelerator pedal position. You will find the complete transmission operation instructions and driving tips in the **Allison Bus Series Operator's Manual** included in your vehicle's publication box.

**OPERATION**

When a button is depressed on the transmission control pad, the corresponding letter or number is displayed indicating the transmission is ready to operate in the selected range. If the transmission control module (TCM) detects a serious problem in the transmission, a buzzing tone sounds for 5 seconds and the "CHECK TRANS" light on the dashboard illuminates to warn the driver that the transmission is held in gear. If another button is depressed, the buzzing sound will continue until the original range is selected.

**NOTE**

*As a light bulb and systems check, the "CHECK TRANS" light will illuminate when the ignition switch is turned to ON. After about two seconds the light will turn off. If the "CHECK TRANS" light remains on, the self-diagnostic system has detected a problem. If the problem disappears, the light will go out, but a trouble code will remain stored in the TCM.*



ALLISON PUSHBUTTON SHIFT SELECTOR 07134

**PUSHBUTTON SHIFT SELECTOR**

The pushbutton shift selector has the following elements:

**R** (Reverse) — Press this button to select Reverse.

**N** (Neutral) — Press this button to select Neutral.

**D** (Drive) — Press this button to select Drive. The highest forward range available will appear in the digital display window under SELECT. The transmission will start out in the lowest available forward range, displayed under MONITOR, and advance automatically to the highest range.

▲ ▼ — Press respectively the ▲ (Upshift) or ▼ (Downshift) arrow button when in DRIVE to request the next higher or lower range. One press changes gears by one range. If the button is held down, the selection will scroll up or down until the button is released or until the highest or lowest possible range is selected. Protection mechanisms inhibit selecting ranges that are not appropriate for the current speed or which may damage driveline components.

**MODE** — The MODE button can allow the driver to enable a secondary shift mode that has been programmed into the TCM unit. The name of the secondary mode appears on the MODE IDENTIFICATION label adjacent to the MODE button. Pressing the MODE button activates the PERFORMANCE shift schedule and illuminates the mode indicator (LED).

## 48 Controls and Instruments

### NOTE

When the diagnostic display mode has been entered, the MODE button is used to view and toggle through diagnostic code information. Refer to Technical Information chapter for more details about **diagnostic code display procedure** and **fluid level check** using the pushbutton shift selector.

### Functions of The "Mode" Button

Both ECONOMY (default mode at starting of the engine) and PERFORMANCE (secondary shift mode) modes are equivalent from the first to the fourth gear as the transmission upshifts at around 2000 rpm.

The ECONOMY mode allows for upshifts in fifth and sixth gear at around 1700 rpm. This is a more efficient operation of the transmission and thereby helps improve fuel economy.

The PERFORMANCE mode keeps upshifts at 2000 rpm in fifth and sixth gears. This makes for better performance than the economy mode but with higher fuel consumption. It is recommended this mode be selected while driving up or down grades. The mode indicator (LED) is illuminating when PERFORMANCE mode is selected.

### DESCRIPTION OF AVAILABLE RANGES

#### R (Reverse)

Press the «R» button to select reverse. Completely stop the vehicle and let the engine return to idle before shifting from forward range «D» to reverse «R» or from reverse to forward range. The reverse warning signal will be activated when this range is selected.

#### N (Neutral)

Use this position to start engine. Select «N» (Neutral) when checking vehicle accessories and for extended periods of engine idle operation; parking brake must then be applied. The pushbutton shifter will automatically select «N» (Neutral) when the ignition switch is turned ON.

### NOTE

The automatic transmission does not have a park «P» position. Select «N» (Neutral) and apply parking brake when the vehicle is left unattended. An audible alert will sound if the engine is stopped and the parking brake is not applied.



### DANGER

Always apply parking brake before leaving driver's seat.



### CAUTION

Detroit Diesel engines should not be idled for extended periods at "slow" idle. For extended idling, engine should run at "fast" idle.



### CAUTION

Do not allow your vehicle to "coast" in neutral «N». This practice can result in transmission damage. Also, no engine braking is available in neutral.

#### D (Drive)

Use this position for all normal driving conditions. After touching this pad, the vehicle will start in first or second range and will automatically upshift to a higher range as output speed increases. As the vehicle slows down, output speed decreases, the transmission automatically downshifts to the correct range. If a locked brake or a slick surface condition should occur, the TCM (Transmission Control Module) will command converter operation (disconnect lock-up) and inhibit downshifts for a period of time or until normal wheel speed has been restored.

### IMPORTANT NOTE

Brake pedal must be applied when selecting «D» (Drive) otherwise the transmission will stay in «N» (Neutral).

### NOTE

The transmission should normally be allowed to shift by itself, but manual shifting can be done as described below.

#### 1 (First range)


Select this range when pulling through mud and snow, when speed control is needed for driving up or down steep grades or when maneuvering in tight spaces. This range also provides maximum driving torque and engine braking power or retarder braking effect. In the lower ranges (1, 2, 3 and 4), the transmission will not upshift above the highest gear selected unless engine overspeed is detected.


**2 (Second range)**

Select this range when operating in heavy and congested traffic. The transmission will start in first and automatically upshift to second. When slowing, the transmission will automatically downshift to first range. Low ranges provide progressively greater engine and retarder braking power (the lower the range, the greater the engine and retarder braking effect).

**3, 4 (Third and fourth ranges)**

Select these ranges when driving on moderate grades or when load and traffic conditions limit speed.

	<p><b>WARNING</b></p>
<p>Service brake should not be used to control the speed of vehicle on long, steep descents. Instead, lower transmission ranges should be used (in conjunction with output retarder. Refer to "JACOBS Engine Brake" and "Transmission Retarder" headings in "Other Features" chapter for details regarding both systems. This procedure keeps service brake cool and ready for emergency stopping.</p>	

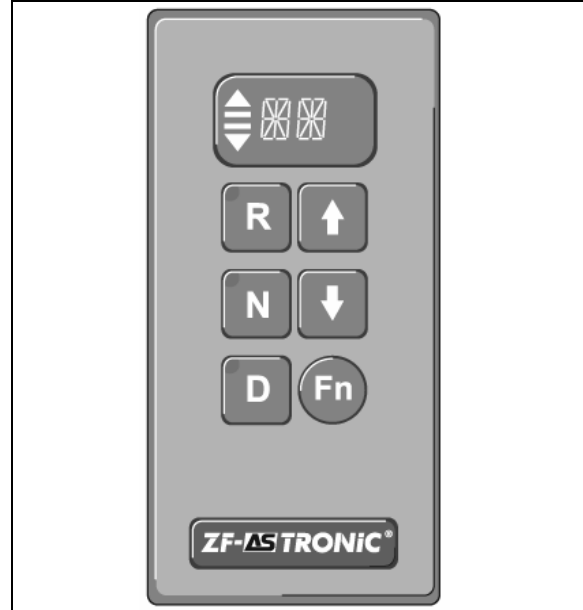
	<p><b>CAUTION</b></p>
<p>When descending in lower ranges, care must be taken that engine speed does not exceed 2,450 rpm.</p>	

**ZF-ASTRONIC AUTOMATIC TRANSMISSION**

**RANGE SELECTOR KEYPAD**

The range selector keypad contains 6 keys and a display.

- “ R “ Reverse travel
- “ N “ Neutral (no gears selected in transmission)
- “ D “ Forward travel
- “ ↑ “ Upshift
- “ ↓ “ Downshift
- “Fn“ Switches between manual and automatic mode.



RANGE SELECTOR KEYPAD

07081

**INDICATOR LIGHT**

Flashing: Transmission function change requested. Function change is completed when indicator light is permanently illuminated.

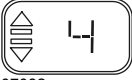
Permanently illuminated: Function in use.

<p><i><b>NOTE</b></i></p>
<p><i>The “R”, “N” and “D” ranges are only selected once the keys are released. If the keys are held down for more than 5 seconds, the shifting request is ignored.</i></p>
<p><i>The “↑”, “↓” and “Fn” selection keys are activated when pressed.</i></p>

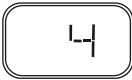
**DISPLAY**

The display indicates the number of the selected gear, the neutral position as well as faults.

**Display: Automatic mode**

	<p>Transmission in automatic mode (2 bars and 2 arrows)</p>
<p>07082</p>	<p>4th gear selected in transmission</p>

**Display: Manual mode**

	<p>4th gear selected in transmission (No bars or arrows are displayed)</p>
<p>07083</p>	

# 50 Controls and Instruments

## ACCELERATOR PEDAL

The position of the accelerator pedal does not need to be changed during the shifting process. The clutch actuation and engine speed are controlled by the electronic transmission control unit (ECU) depending on accelerator pedal position.

## AUTOMATIC MODE

If the “D” key is pressed, the gear shifting system selects the most appropriate gear for starting. The 2<sup>nd</sup> gear is the default starting gear; however, the system will select the 1<sup>st</sup> gear if necessary like when starting the vehicle on a slope. Once the accelerator is depressed, the clutch engages automatically and then the vehicle starts to move. The gear shifting system automatically performs upshifts and downshifts during travel. When in automatic mode, the gear shifting system avoids shifts which result in the engine overspeeding or stalling. The driver can always intervene manually (upshift and downshift) with no need to change the accelerator pedal position – for example, in difficult driving situations. The driving mode then changes from automatic to manual for approximately 20 seconds then returns to automatic mode.

## MANUAL MODE

If the “Fn” key is pressed, the transmission system changes into manual mode. The driver can also press the upshift or downshift key to select a moving off gear other than the one proposed by the system. Once the accelerator is depressed, the clutch engages automatically and the vehicle starts to move. The driver uses the key “↑” or “↓” to select the gears required.

### NOTE

*The driver must avoid overspeeding the engine. The engine may stall if the accelerator is depressed in a gear too high.*

## EASY START SYSTEM

This system intervenes during passage from neutral “N” to forward travel “D” or reverse travel “R” in maintaining drive axle service brakes application for 2 seconds after brake pedal has been released. This system eases the starting of the vehicle on a slope, preventing it from rolling while the clutch is not fully engaged.

## DRIVING TIPS



### CAUTION

The engine should not be idled for extended periods at slow idle. For extended idling, engine should run at fast idle.



### DANGER

Always apply parking brake before leaving driver's seat. The driver must not leave the vehicle when the engine is running and a gear is selected.



### CAUTION

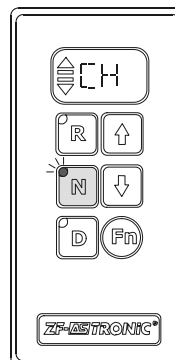
Do not allow the vehicle to coast in neutral (N). This practice can result in transmission damage. Also, no engine braking is available in neutral (N).

## Indicator light in the “R”, “N” and “D” keys

Flashing: Transmission function change requested. Function change is completed when indicator light is permanently illuminated.

Permanently illuminated: Function in use.

## STARTING THE ENGINE



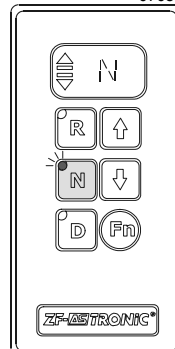
☞ Apply parking brake

☞ Switch on “ignition”

☞ Transmission system self-check. “CH” appears on the display.

The indicator light of the “N” key lights up as soon as the neutral transmission shift has been completed.

07084



☞ Start the engine

☞ Self-check is completed when “N” (neutral) appears on the display, transmission is in neutral setting. On start-up, automatic mode is default selection.

07085

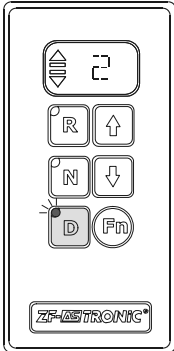
### NOTE

*Gear shifts are not possible when the engine is not running.*

## IMPORTANT NOTE

Brake pedal must be applied when selecting Drive (D) otherwise the transmission will stay in neutral (N).

### SETTING OFF, FORWARD TRAVEL



07086

- ☞ Start the engine
- ☞ Apply service brakes (activation of Easy Start) and depress “D” key. Automatic mode is activated.
- ☞ The display shows the starting gear selected.
- ☞ Indicator light of “D” key lights up. (The system selects the 2<sup>nd</sup> starting gear, the clutch remains disengaged.)
- ☞ Release the service brakes and depress accelerator pedal.

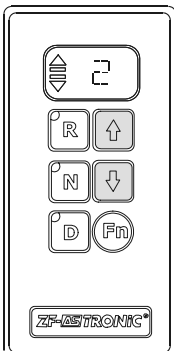


## CAUTION

The vehicle may roll away even if the accelerator is not depressed after the service brakes have been released by Easy Start System.

- ☞ Vehicle sets off (clutch engages automatically).

### CORRECTING THE STARTING GEAR



07087

The system selects 2<sup>nd</sup> starting gear as default. The driver may select 1<sup>st</sup> starting gear.

To undertake a correction:

- ☞ Depress “↓” key to select 1<sup>st</sup> gear.
- ☞ The display shows the starting gear selected.

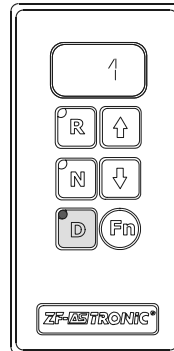
## NOTE

It is recommended to select the 1<sup>st</sup> starting gear for starting on a slope.

### MANEUVERING MODE

Maneuvering mode is provided for extremely slow travel. The 1<sup>st</sup> gear and the reverse gear are provided as maneuvering gears. Maneuvering mode is not available in the other gears. To

engage maneuvering mode, select 1<sup>st</sup> gear or reverse gear “R” using “↑” or “↓” key. When in maneuvering mode, the clutch control differs from the normal driving mode. The accelerator pedal controls the clutch action just like a clutch pedal would. This control is available from 0 to 70% of the accelerator pedal stroke. Over 70% of the stroke, the clutch is fully engaged, and a change will be made from maneuvering mode into setting off mode. The vehicle may accelerate suddenly.



07088

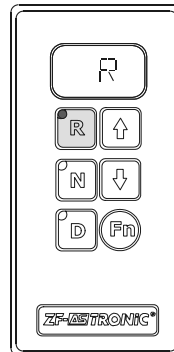
Unlimited maneuvering time.

The “CL” (clutch) display appears when the clutch is overloaded.



## CAUTION

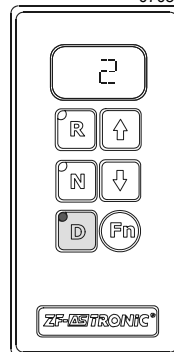
If the driver does not respond to the “CL” display, the clutch may be damaged as a result of overload.



07089

Unlimited maneuvering time.

The “CL” (clutch) display appears when the clutch is overloaded.



07090



## WARNING

If the driver does not respond to the “CL”, a change is made from maneuvering mode into setting off mode. The vehicle may accelerate rapidly.

### STARTING TO ROLL ON SLOPES

Precondition: the engine must be running.

## 52 Controls and Instruments



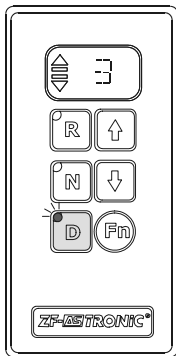
### WARNING

If the vehicle starts to roll and no gears are selected (the indicator light of the “N” key lights up), the engine brake is ineffective.



### CAUTION

Do not allow the vehicle to roll in the opposite direction of travel than the gear selected.

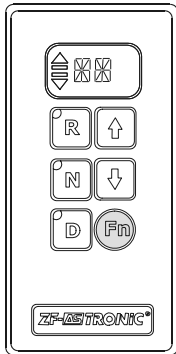


07091

If the vehicle rolls forward with transmission in neutral “N” after that the brake is released and the driver shifts from “N” to “D”, the system selects a gear suitable for the running speed.

### CHANGING BETWEEN MANUAL MODE AND AUTOMATIC MODE

Always possible, even if the vehicle is in motion.



07092

Changing from manual to automatic mode.

- ☞ Depress the “Fn” key

Changing from automatic to manual mode.

- ☞ Depress the “Fn” key

### CHANGING GEAR

#### Changing gear in automatic mode

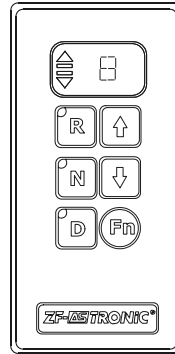
- ☞ All upshifts and downshifts are performed automatically.

They depend on:

- ☞ The drive situation.
- ☞ The load.
- ☞ The accelerator pedal position.
- ☞ The running speed.
- ☞ The engine speed.

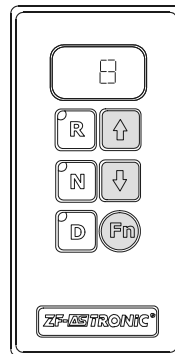
Arrows and 2 bars = automatic mode.

8th gear is selected. If a manual gear shifting is selected, the gear shifting system exits automatic mode. Depress the “Fn” key to reactivate the automatic mode. The gear shifting system will switch back automatically to automatic mode after about 20 seconds if no other manual gear shifting is selected.



07093

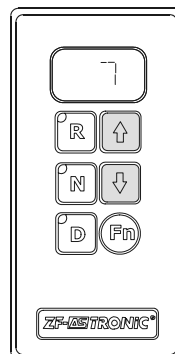
#### Changing gear in manual mode



07094

- ☞ Depress “↑” or “↓” key to select the required gear.

#### Jumping gears



07095

Jumping one gear:

Depress “↑” or “↓” key twice in rapid succession in the direction required.

Jumping two gears:

Depress “↑” or “↓” key three times in rapid succession in the direction required.



**NOTE**

- The driver can shift into neutral “N” from any gear at any time. This shift process always takes priority.
- There is no need to change the position of the accelerator pedal during the gear shifting process because the engine speed is automatically controlled.
- A gear shifting command is not carried out if this shift would result in the maximum engine speed (governing speed) being exceeded.

**DANGER**

If the driver shifts to neutral “N” during travel, the engine brake is then no longer effective.

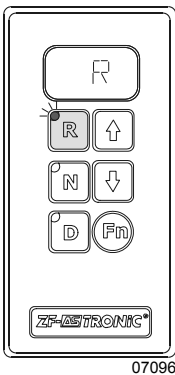
**Engine braking effect when changing gear**

The engine brake is deactivated by the system during gear shifting. Once the gearshift is completed, the engine brake is then automatically reactivated. If the engine brake is actuated, the system switches back into automatic mode so that the maximum engine braking effect is achieved.

**DANGER**

The effect of the engine brake is interrupted during gear shifting. The vehicle may accelerate when traveling downhill.

**REVERSING**



Selecting reverse gear:

- ☞ The vehicle **must** be at a standstill.
- ☞ Apply service brakes (activation of Easy Start System) and depress “R” key.
- ☞ “R” appears in the display (clutch remains disengaged). Indicator light of “R” key lights up.
- ☞ Release service brakes and depress accelerator pedal (clutch engages automatically).
- ☞ Vehicle moves backwards.

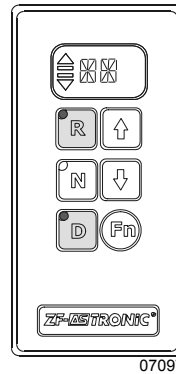
**WARNING**

If the vehicle is rolling, shifts cannot be made into reverse. Stop the vehicle immediately.

**DANGER**

The vehicle may roll away even if the accelerator is not depressed after the service brakes have been released by Easy Start System.

**CHANGING DIRECTION OF TRAVEL (FORWARD/ REVERSE)**



Changing from “R” to “D” direction of travel  
 ☞ The vehicle **must** be at a standstill

☞ Depress “D” key

Changing from “D” to “R” direction of travel

☞ The vehicle **must** be at a standstill

☞ Depress “R” key

**WARNING**

A change in the direction of travel may only be undertaken when the vehicle is at a standstill otherwise the transmission will shift into neutral. While the indicator light is flashing, this indicates that the gear change is not yet complete.

**STOPPING VEHICLE**

- ☞ Do not actuate the accelerator; use the service brake to bring the vehicle to a standstill.
- ☞ The clutch disengages automatically before the vehicle reaches a standstill so that engine “stalling” is prevented.
- ☞ Always actuate service brake or parking brake if vehicle is not moved.

**CAUTION**

In order to protect the mechanical components of the clutch releasing system, the transmission must be shifted to neutral during longer stops (more than approx. 1-2 min., e.g., traffic jam, grade crossing, etc.). This disengages the clutch and relieves the clutch releasing system.

## 54 Controls and Instruments



### DANGER

If the vehicle is at a standstill with the engine running and a gear selected, the vehicle can be moved by simple depressing the accelerator!

Before leaving a vehicle with the engine running, the transmission must be shifted into neutral and the parking brakes must be applied.

Actuating the parking brake during travel on a slippery road surface may result in the engine coming to a standstill. Power-assisted steering is then no longer available.

### TOWING



### CAUTION

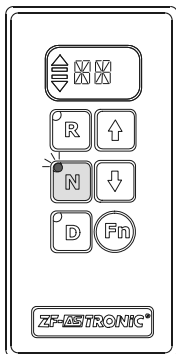
To prevent damage to the drive train components, disconnect axle shafts or driveshaft before towing. Do not attempt to push or pull-start the vehicle.



### CAUTION

Make sure axle shafts or driveshaft are installed correctly after towing. Tighten axle shaft and driveshaft nuts to the correct torque settings. Do not invert shafts.

### SWITCHING OFF ENGINE/PARKING VEHICLE



07098

- Bring vehicle to a standstill
- Engage parking brakes
- Depress "N" neutral key
- "N" appears on the display. Indicator light of "N" lights up.
- Switch off engine via ignition key

### NOTE

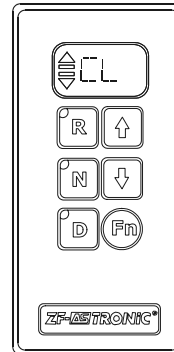
If the transmission is **not** shifted into neutral "N" before the engine is switched off, transmission shifts automatically into neutral once the ignition is "Off".



### WARNING

When engine is switched off, transmission goes into neutral "N", NO gear is selected. The vehicle may roll away if brakes are not applied.

### CLUTCH PROTECTION



07099

"CL" is displayed if there is a risk of clutch overload resulting from several starting processes occurring in a rapid succession or when running very slow in a starting gear too high.

### NOTE

Select an operating mode in which the clutch will not be overloaded, for example:

- Accelerate vehicle (to engage the clutch)
- Stop the vehicle
- Set off quickly in a lower gear
- To preserve the mechanical components of the clutch releasing mechanism, the transmission should be shifted to neutral "N" if the vehicle stops for a long period of time (more than approx. 1 to 2 min., for example, in traffic jams, at railway crossings etc.). This disengages the clutch and relieves the clutch releasing mechanism.

Even though the clutch is automated, the driver still has considerable influence on clutch service life. To minimize the level of wear on the clutch, it is recommended to **select the lowest gear as possible when setting off.**

### ENGINE OVERSPEED PROTECTION

The electronics system only allows shifts to be undertaken if they lie within the speeds specified by the vehicle manufacturer. This is done to the benefit of both engine and transmission.



## CAUTION

In order to protect the engine from damaged caused by overspeed, the system effects an upshift during automatic driving operation and, depending on vehicle type, also during manual driving operation. The vehicle can accelerate during downhill driving.



## CAUTION

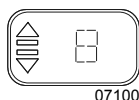
The engine may be damaged if the vehicle is accelerated on downhill gradients and the engine thereby enters the overspeed range.

Depending on type of vehicle, there is no automatic gear shifting to a higher gear during downhill driving in manual operation. In this case, make sure that the engine speed does not exceed the permissible speed range.

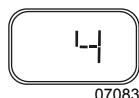
### ZF-ASTRONIC DISPLAY

The display provides information on the status of the transmission.

### Operating Displays



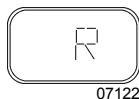
**Automatic mode** is shown in the display by means of 2 bars and 2 arrows (8th gear is selected in transmission).



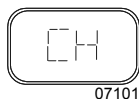
**Manual mode**  
4th gear selected in transmission (No bars or arrows).



**Transmission in neutral position**



**Reverse gear is engaged**



**“CH”** = system self-check appears on display when ignition is ON.

### Warning Displays



**“AL”** = airless  
Alternates with the normal display. The transmission compressed air system has insufficient pressure.

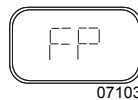
### NOTE

*Only leave once there is sufficient pressure in the pneumatic system. If pressure is too low when the vehicle stops, do not engage the clutch otherwise the engine will “stall”.*



## WARNING

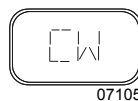
If shifts are undertaken when pneumatic pressure is too low, the transmission may remain in neutral to ensure that there is no direct drive and that the engine brake is effective.



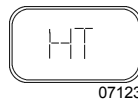
**“FP”** = accelerator pedal  
Move accelerator to idling position. If the display does not go out, there is a system error. Vehicle cannot be driven any further.



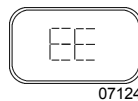
**“CL”** = clutch  
Alternates with the normal display. Clutch is overloaded.  
See “CLUTCH PROTECTION”



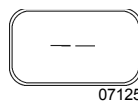
**“CW”** = clutch wear  
Visit nearest specialist workshop to replace the clutch.



**“HT”** = High temperature



**“EE”** = Electronic Error  
Is displayed when communication between the display and the transmission electronics is disturbed



**“--”** = Display Error  
Is displayed when communication between the display and the transmission electronics is disturbed

## 56 Controls and Instruments



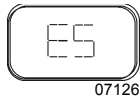
"SM" = system malfunction

- Stop the vehicle
- Vehicle may no longer be driven



### WARNING

Whenever possible, do not stop the vehicle in danger zones.



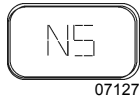
"ES" = Easy Start

- Temporarily, no electronic starting traction control is available



### WARNING

The vehicle can start moving.

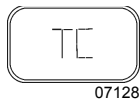


"NS" = Neutral Shift

- Shift transmission to "N" Neutral

### NOTE

*Depending on the vehicle type, the transmission can automatically shift to neutral in order to protect the mechanical components of the clutch releasing system after running a certain amount of time.*



"TC" = Transmission Check

- Transmission position cannot be learned



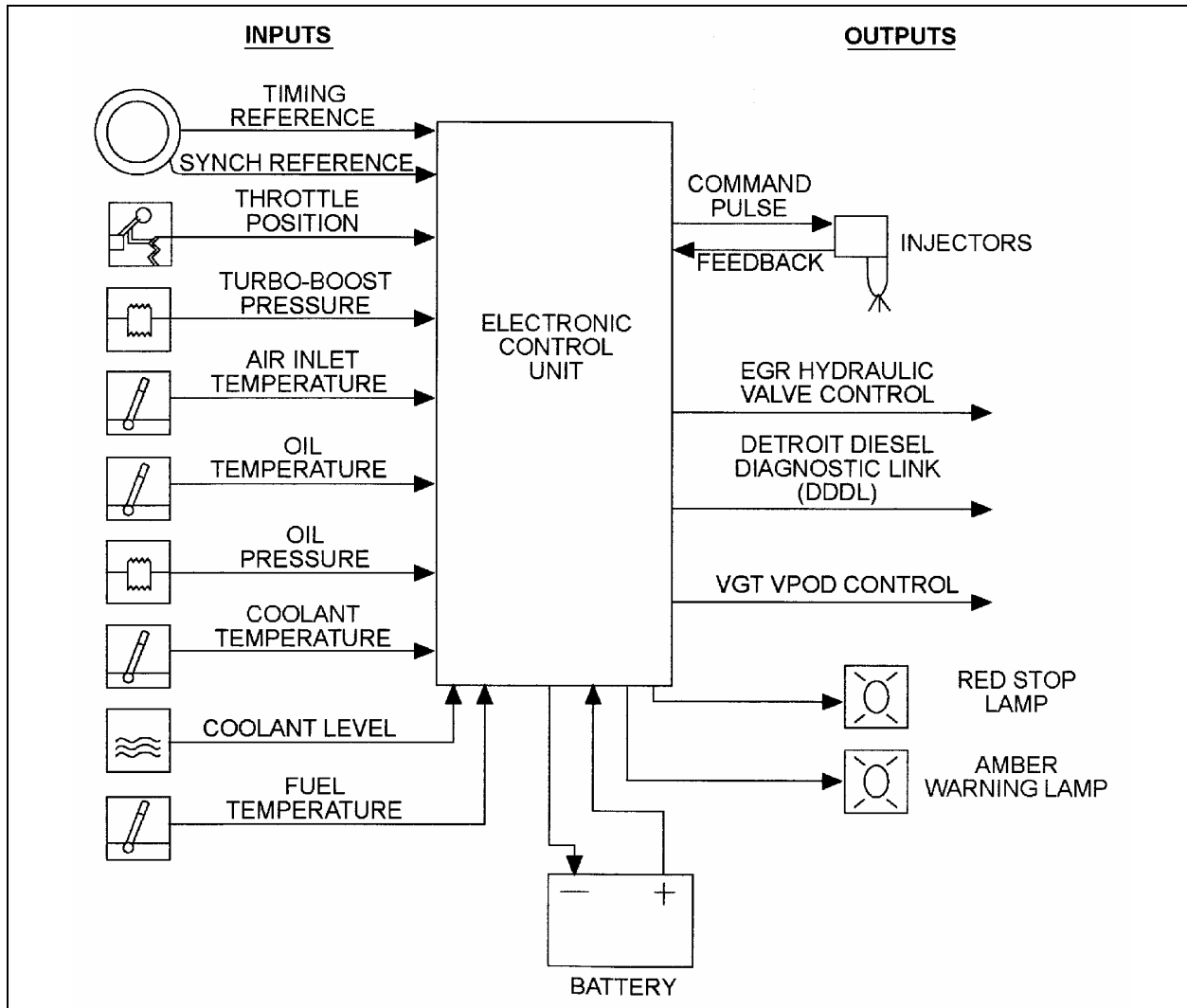
"CC" = Clutch Check

- Clutch position cannot be learned

Error messages and the reactions resulting from these errors can be deleted with the vehicle at a standstill and the "Ignition OFF".

- \* Wait until the display goes out.
- \* If the display does not go out once the ignition has been turned "OFF", set the battery master switch to the **OFF** position.
- \* Switch the ignition back on.

If the error message is still in place, the transmission has to be repaired. The transmission is inoperative. The vehicle will have to be taken to a service point. The error number(s) must be specified when the service point is contacted. See paragraph SYSTEM FAULTS – ERROR MESSAGES in section TECHNICAL INFORMATION of this manual.



SCHEMATIC DIAGRAM OF DDEC V SYSTEM

01143

### DETROIT DIESEL ELECTRONIC CONTROL (DDEC) SYSTEM

DDEC is an advanced-technology electronic fuel injection and control system for Detroit Diesel engines. As an integral part of the engine, the DDEC system provides a number of performance features and driver benefits including improved fuel economy and performance, reduced cold smoke and reduced maintenance and repair costs. These advantages are obtained by optimizing control of the critical engine functions which affect fuel economy, engine reliability and the performance of the injectors.

Its major components include an Electronic Control Module (ECM), Electronic Unit Injectors (EUI), electronic throttle pedal and sensors. The ECM, which provides central processing and

control of the DDEC system, contains the following:

- A microprocessor that continuously monitors and analyzes the engine's performance using sensors during engine operation;
- Flash Random Access Memory (FRAM) that stores ECM runtime software, which contains engine control instructions;
- Electrically Erasable Programmable Read-Only Memory (EEPROM) that provides instructions for basic engine control functions such as rated speed and power, engine governing, cold start logic and diagnostics and an engine protection system.

## 58 Other Features

The Electronic Unit Injectors (EUI) operates on a principle similar to the mechanical unit injector system. However, a solenoid operated control valve performs the injection timing and metering functions which make injector timing much simpler and more precise.

DDEC provides the capability of quickly diagnosing system malfunctions with a self-diagnostic system. The self-diagnostic system monitors all engine sensors and electronic components and recognizes system faults and other engine-related problems by providing the technician with a diagnostic code. The DDEC system will illuminate the dashboard CHECK ENGINE and STOP ENGINE indicators which are integral parts of the electronic diagnostic system. These lights are designed to indicate a problem and transmit a coded signal to the technician to locate the defective component. To facilitate troubleshooting and obtain pertinent data logged in the ECM (Electronic Control Module) memory, a Diagnostic Data Reader (DDR) can be used (not supplied by manufacturer). Plug the DDR into the receptacle on the upper left wall in the driver's footwell. You can also momentarily depress the STOP ENGINE OVERRIDE switch on the left hand lower control panel (refer to Controls & Instruments chapter). Active and inactive codes will flash respectively the STOP ENGINE and the CHECK ENGINE indicators. Refer to Technical Information chapter under "DDEC V Diagnostic Codes".

### DEC V ELECTRONIC CONTROL MODULE (ECM)

The simplest implementation of Data Hub does not require the addition of any hardware to the vehicle. Instead, basic Data Hub features built into the DDEC V ECM are used. The ECM stores data such as miles, fuel used, idle time, PTO time, idle fuel, cruise time and cruise fuel on life-to-date, trip and daily basis. Daily recording is limited to a maximum of two days.

Selected parameters, such as oil pressure, are measured periodically under specified conditions. The measurements are analyzed over long time periods, which allow the system to detect degradation in performance and warn the user prior to component failure.

The average life span of up to ten components may be specified in terms of miles, fuel used, time, engine rpm and engine hours. The ECM tracks the specified factors and automatically alerts the user when the average component life

span has been attained. An event log is also stored which indicates the vehicle status (e.g., off, idle, in motion) at 15 minute intervals.

Data stored in the DDEC V ECM is extracted by connecting a cable from a personal computer (PC) to the vehicle's diagnostic connector via an RP1202 adapter module. Data extraction takes about 20 seconds.

### MESSAGE CENTER DISPLAY (MCD)

MCD is a standard dashboard mounted graphic device that displays and records operational data transmitted by the Detroit Diesel Electronic Controls (DDEC), antilock braking system and other electronically controlled components on the SAE J1708/1587 diagnostic data link.

The many functions of the MCD include vehicle operating status for the driver and diagnostics for the technician.

The MCD uses a dashboard integrated liquid crystal display. It provides automated intensity control of the display, based on the dashboard instrument panel lights for improved driver convenience.

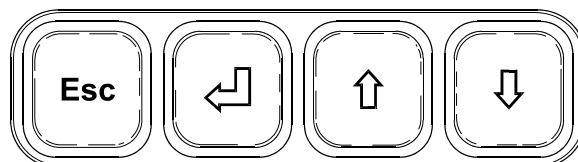
Should an alert message be sent out by the ECM, the driver will be shown what is wrong via an error code. Symbols may be displayed on the screen when a condition occurs or as a reminder that a feature is enabled. These symbols include a bell when the reminder alarm is on, "PTO" when fast idle is activated or "CC" when cruise control is activated.

#### *NOTE*

*When a condition requiring attention occurs, the screen relating to that condition will automatically replace the current display.*

The MCD works with interactive menus in a series of cascading layers. The MCD allows access only to GAUGE MODE, FUEL ECONOMY, TIME/DIST and FAULTS ?menus when the vehicle is moving. Access to the remaining menus is granted when the vehicle is stopped.

The driver inputs commands and settings by using the keys on the MCD keypad.



Use the up (↑) and down(↓) arrows to highlight a function or a setting. At any given level, small arrows may appear in the upper and lower right corner of the display. This means that more information is available by scrolling up or down with the arrow keys.

To change the setting of a feature, press enter key (↵). The first value to set is highlighted. Set the correct value with the arrow keys. Press the enter key when the correct value is displayed. The next value to set is highlighted. In some cases, the enter key will reset compiled data. In that situation, the MCD will prompt you to press the enter key for 1 second to prevent accidental resetting.

To return to the previous level, press Esc key any time. In most cases, the MCD will return to the previous level once a setting has been chosen.

To return to the main menu from any submenu, press Esc key a few times.

**DRIVING MODE MENU**

This menu includes the following modes;

Gauge Mode; Fuel Economy, Time/Dist; Faults?.

**GAUGE MODE MENU**

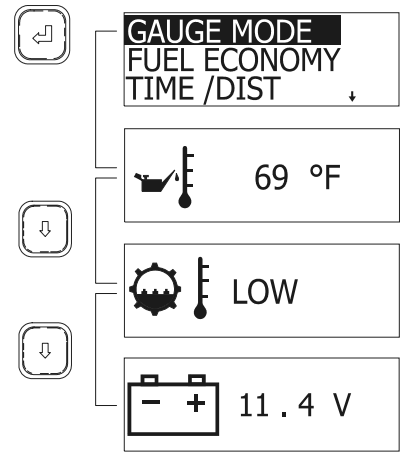
Transmission fluid temperature, engine oil temperature and battery voltage can be displayed in this mode.

To display:

1. Highlight GAUGE MODE;
2. Press enter key (↵);
3. Choose a gauge using the up (↑) or down (↓) arrow keys.

To exit gauge mode, press Esc key.

**NOTE**  
 When a condition requiring attention occurs, the screen relating to that condition will automatically replace the current display.



06398

**FUEL ECONOMY MENU**

Check average and instantaneous fuel consumption, as well as distance until empty.

To display:

1. Highlight FUEL ECONOMY
2. Press enter key (↵);
3. Toggle between average/instantaneous fuel consumption or leg fuel consumption using the up and down arrows;

To exit FUEL ECONOMY menu, press Esc key any time.

4. To reset average and instantaneous fuel consumption, press enter key. The MCD will prompt you to press enter key for one second to reset.

If you do not wish to reset the fuel data, press Esc to return to previous menu.

**TIME / DIST MENU**

This menu gives access to the digital clock, the reminder alarm, two trip odometers and the average speed counter.

To display the digital clock:

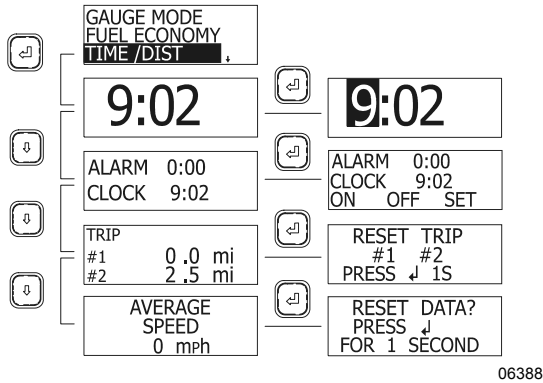
1. Highlight TIME/DIST;
2. Press enter key (↵);

The digital clock appears;

3. Use the up (↑) or down (↓) arrow keys to display the alarm and clock display, the trip odometer display or the average speed counter display.

To exit TIME/DIST menu, press Esc key.

## 60 Other Features



### Setting the Digital Clock

1. Display the clock;
2. Press the enter key (↵);  
The first digit of the time is highlighted.
3. Set the correct value using the arrow keys;
4. Press enter key (↵);  
The next digit of the time is highlighted.
5. Set the correct time using the arrow keys and the enter key.

After pressing the enter key when the last digit is highlighted, the display reverts to clock mode.

### Reminder Alarm

The alarm can be useful to remind the driver of a task to do at a given time.

To set the alarm:

1. Display the alarm and clock menu;
2. Press the enter key (↵);
3. Using the arrow keys, highlight ON, to arm the alarm, OFF to disarm the alarm or SET to set the alarm time;
4. Press the enter key (↵).

If you have chosen SET, set the time using the arrow keys and enter key.

To exit any menu and return to the previous menu, press Esc key.

A bell appears in the upper right corner on all MCD screens if the alarm is armed.

When armed, the alarm will sound at the set time even when the battery master switch is off.

To stop the alarm from sounding, press any key on the MCD keypad.

### Trip Odometers

Two trip odometers are available for driver convenience.

To reset a trip odometer:

1. Display the trip odometers;
2. Press the enter key (↵);
3. Using the arrow keys, highlight the trip odometer you wish to reset;
4. Press the enter key (↵) for 1 second.

To exit anytime, press Esc key.

### Average Speed

The average speed display shows the average speed has been driven since the last reset.

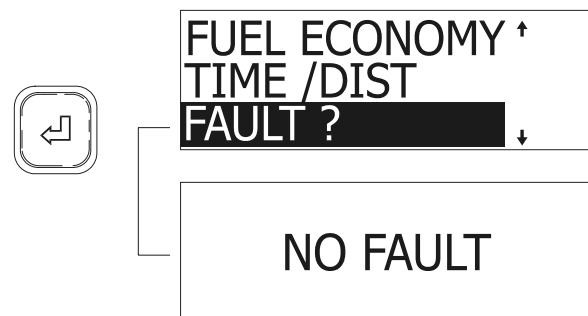
To reset:

1. Display the average speed;
2. Press the enter key (↵);
3. When prompted, press the enter key for 1 second to reset data.

### FAULT ? MENU (Fault messages)

To display logged fault messages:

1. Highlight FAULT ?
2. Press the enter key (↵);
3. Fault messages are displayed (if any).



### NON-DRIVING MODE MENU

#### SET UP MODE MENU

Set up mode allows the driver to customize the MCD. Set up mode allows setting the language, units used (Metric or Standard), clock format, display contrast, backlight and night display.



If the correct password is entered, default language, fleet fuel target and passwords can also be set.

To configure the MCD, highlight SET UP MODE using the arrow keys, then press the enter key.

**Language Selection**

If available, language may be selected. To select a language:

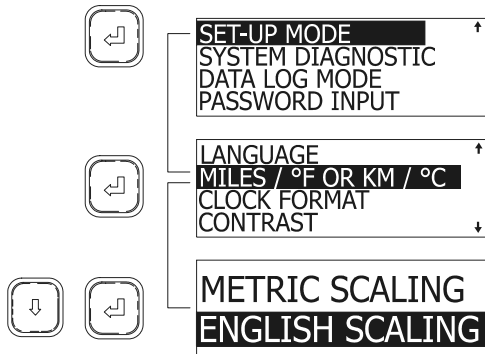
1. In SET UP MODE, highlight LANGUAGE using the arrow keys;
2. Press the enter key (↵);
3. Highlight the desired language using the arrow keys;
4. Press enter key (↵) to confirm the language choice.

The MCD returns to SET UP MODE menu.

**Metric or Standard Units**

1. In SET UP MODE menu, highlight MILES/°F OR KM/°C using the arrow keys;
2. Press the enter key (↵);
3. Highlight the desired units using the arrow keys;
4. Press enter key (↵) to confirm.

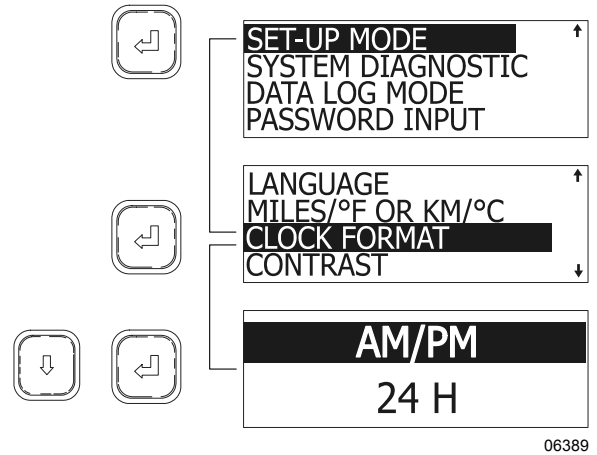
The MCD returns to SET UP MODE menu.



**Clock Format**

1. In SET UP MODE, highlight CLOCK FORMAT using the arrow keys;
2. Press the enter key (↵);
3. Highlight the desired format (AM/PM or 24 H) using the arrow keys;
4. Press enter key (↵) to confirm.

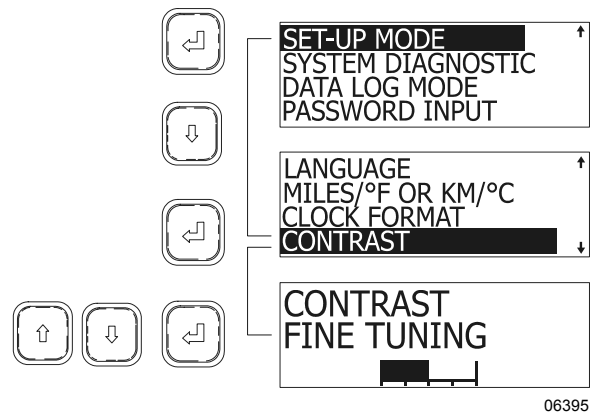
The MCD returns to SET UP MODE.



**Setting Contrast**

1. In SET UP MODE, highlight CONTRAST using the arrow keys;
2. Press the enter key (↵);
3. Using the arrow keys, set the desired contrast. A horizontal graphic shows state of contrast;
4. Press enter key (↵) to confirm.

The MCD returns to SET UP MODE.

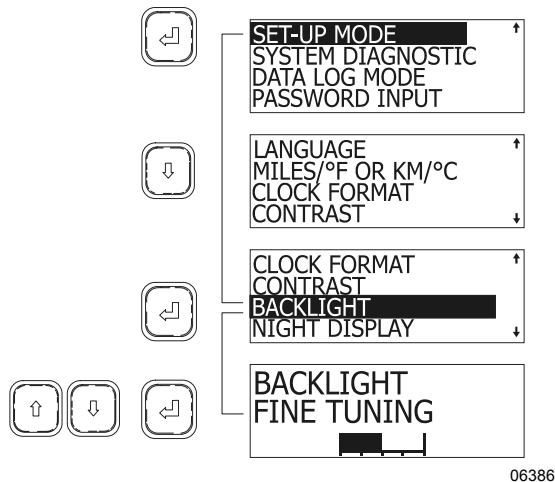


**Setting Backlight**

1. In SET UP MODE, highlight BACKLIGHT using the arrow keys;
2. Press the enter key (↵);
3. Using the arrow keys, set the desired back lighting. A horizontal graphic shows state of lighting;
4. Press enter key (↵) to confirm.

The MCD returns to SET UP MODE.

## 62 Other Features

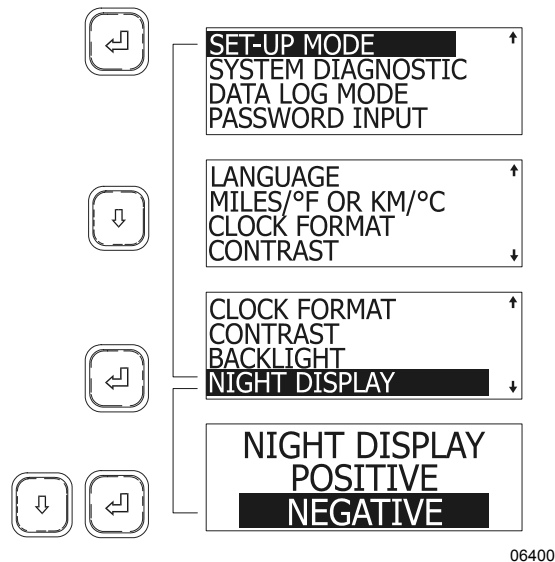


### Setting Night Display

Night display, when activated, shows all displays in negative when the headlights are ON.

1. In SET-UP MODE, highlight NIGHT DISPLAY using the arrow keys;
2. Press the enter key (↵);
3. Highlight the desired display using the arrow keys;
4. Press enter key (↵) to confirm.

The MCD returns to SET UP MODE.



### Setting Default Language

This feature is enabled when the correct password is entered (see PASSWORD INPUT).

1. In SET UP MODE, highlight DEFAULT LANGUAGE using the arrow keys;

2. Press the enter key (↵);
3. Highlight the desired language using the arrow keys;
4. Press enter key (↵) to confirm.

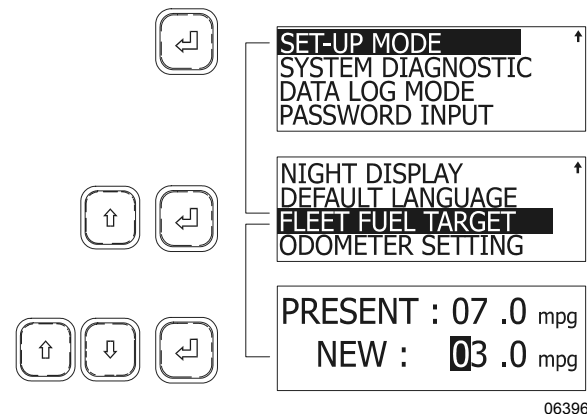
The MCD returns to SET UP MODE.

### Setting Fleet Fuel Target

This feature is enabled when the correct password is entered (see PASSWORD INPUT).

1. In SET UP MODE, highlight FLEET FUEL TARGET using the arrow keys;
2. Press the enter key (↵);
3. Using the arrow keys set the highlighted digit;
4. Press enter key to confirm, the following digit is highlighted. Set as in step three;
5. When last digit is set, press the enter key (↵) to confirm new target.

The MCD returns to SET UP MODE.



### Setting the Odometer

This feature is disabled.

### SYSTEM DIAGNOSTIC MENU

System Diagnostic menu allows the driver to request diagnostics from the ECM or ECU of components such as the engine, ABS brakes and other instruments. The driver can also perform a cluster self test and read data about the ECM or ECU.

Enter diagnostic mode by using the arrow keys to highlight SYSTEM DIAGNOSTIC, then pressing the enter key to confirm.

**FAULT DIAGNOSTIC MENU**

To request a diagnostic:

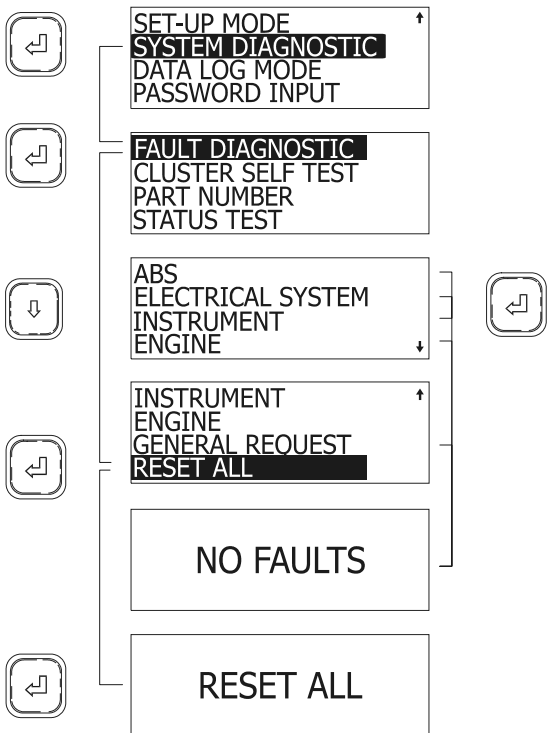
1. Highlight FAULT DIAGNOSTIC with the arrow keys;
2. Press the enter key (↵) to confirm;
3. Highlight the component to request a diagnostic using the arrow keys;
4. Press the enter key (↵).

After showing a fault message (if any) the MCD returns to FAULT DIAGNOSTIC screen.

To request a general diagnostic:

1. Highlight GENERAL REQUEST using the arrow keys;
2. Press the enter key (↵).

After showing a fault message (if any) the MCD returns to FAULT DIAGNOSTIC screen.



06574

To reset fault codes:

1. Highlight RESET ALL using the arrow keys;
  2. Press the enter key (↵);
- The MCD displays RESET ALL.
3. Press enter key (↵) to confirm.

After resetting the fault codes, the MCD returns to FAULT DIAGNOSTIC screen.

Exit FAULT DIAGNOSTIC and return to SYSTEM DIAGNOSTIC using Esc key.

**Cluster Self Test**

Tests cluster light bulbs, gauges, MCD display and buzzers.

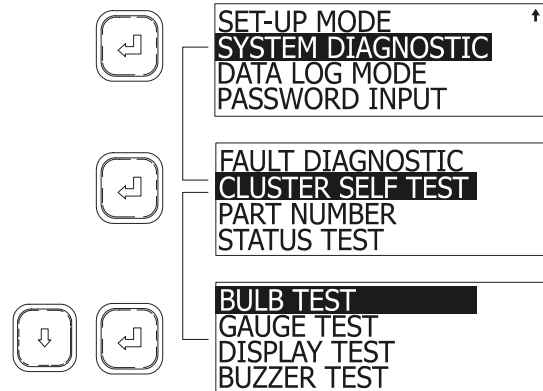
To perform a self test:

1. In diagnostic mode, highlight CLUSTER SELF TEST using the arrow keys;
2. Press enter key (↵) to confirm;
3. Highlight the test to perform using the arrow keys;
4. Press enter key (↵) to confirm.

The test may normally take several seconds to perform. The MCD may explain the progression of the test as it runs. The display returns to cluster self test mode once finished.

**NOTE**

While in the cluster self test mode, the engine ECM data link is disconnected. Therefore, the gauges will not function until the cluster is out of the self test mode. To interrupt any test, cycle the ignition key off and on.



06378

**BULB TEST**

Turns ON all telltale lights and red warning LED's in the gauges which have them, for ten seconds.

**GAUGE TEST**

This test causes the pointers in the tachometer, speedometer, oil pressure, coolant temperature; fuel and turbo boost gauges to move from minimum scale to full scale and back, briefly stopping at mid-scale each way. This occurs three times. The air pressure and voltmeter gauges are excluded from the test.

## 64 Other Features

### DISPLAY TEST

To help identify defects in the graphic display, the display goes from dark to bright in about ten seconds.

### BUZZER TEST

Sounds each of the buzzer signals for ten seconds each. The name of the buzzer is written on the display as the test runs.

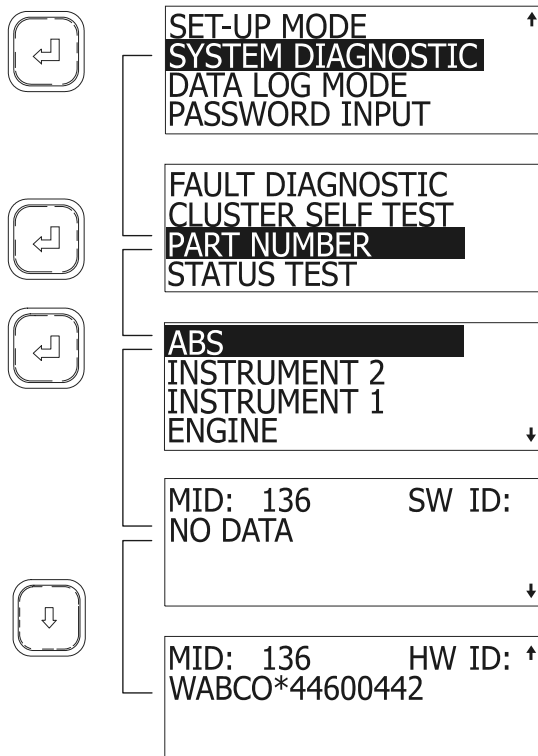
### PART NUMBER

This feature requests information from the available components. This information includes the component's SAE message identifier (MID), its software ID (SW ID) and hardware ID (HW ID) if available.

To access PART NUMBER:

1. When in SYSTEM DIAGNOSTIC menu, highlight PART NUMBER using the arrow keys;
2. Press enter key (↵);
3. Highlight the desired component;
4. Press enter key (↵).

The MCD displays the information on two screens. Toggle between screens using the arrow keys.



06391

### STATUS TEST

This feature allows testing the response of vehicle systems. This can be useful when troubleshooting or checking the proper working order of senders and other components. This feature is enabled when correct password is entered (see password input)

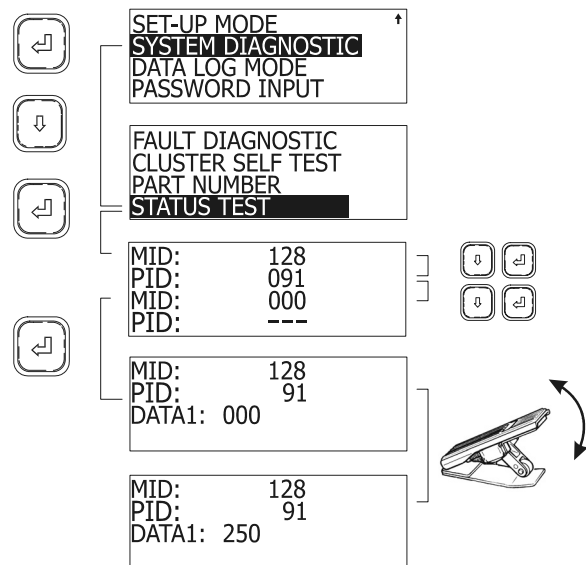
In Status Test mode, the MCD will monitor the system and display the data on the screen. Up to two components can be monitored at once.

To perform a status test:

1. When in SYSTEM DIAGNOSTIC, highlight STATUS TEST using the arrow keys;
2. Press enter key (↵);
3. Using the arrow and enter keys, enter a MID and PID (or PPID);
4. Press enter key (↵).

The MCD now displays in real time the value of the component. The example below shows how changing the throttle position will be displayed on the MCD. That way one can verify if any identifiable sender unit is working properly or whether the link is OK.

5. Press Esc key to exit.



06420

In this example, a throttle pedal in good working order will send a linear and continuous (no jumps) signal to the ECM, appearing as DATA value on the MCD screen. Full pedal movement will display values from 000 (no throttle) to 250 (maximum throttle).

**NOTE**

The MCD can perform a status test on as many as two components simultaneously. To do so, when setting MID and PID codes, set a second (non zero) MID and PID code.

**DATA LOG MODE MENU**

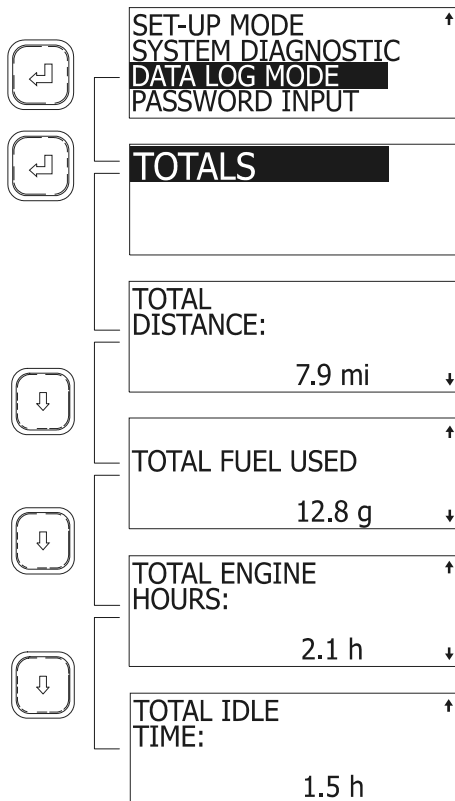
This feature shows total accumulated distance, fuel used engine hours and idle time.

1. To access data log:
2. Highlight DATA LOG MODE using the arrow keys;
3. Press enter key (↵) to confirm;

The screen shows TOTALS highlighted.

4. Press enter key (↵);
5. View totals using the arrow keys.

Exit by pressing the Esc key.



06383

**PASSWORDS**

The MCD recognizes two passwords: a mechanic's password and an owner's password. The mechanic's password allows setting DEFAULT LANGUAGE, FLEET FUEL TARGET,

performing a STATUS TEST and using the RESET ALL function. The owners password gives access to all the above and allows changing both passwords.

The mechanic's password is initially set to "0000".

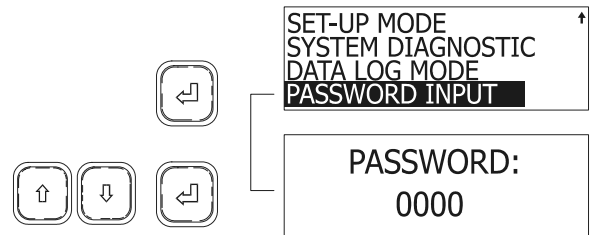
The owner's password is initially set to "1234".

**Password Input**

To enter either password and have access to restricted functions of the MCD:

1. Use the arrow keys to highlight PASSWORD INPUT;
2. Press enter key (↵) to confirm;
3. Use the arrow keys to set the first digit of the password;
4. Press enter to highlight the next digit;
5. Pressing enter key (↵) on last digit will confirm the password.

If the entered password is correct, the MCD will revert to the previous screen. Access to restricted screens is allowed.



06402

**Changing passwords**

To change any password, owner's password must be entered first.

To change passwords:

1. Using the arrow keys, highlight SET UP MODE;
2. Press enter key (↵) to confirm;
3. Using the arrow keys, highlight PASSWORD CONFIG;
4. Press enter key (↵) to confirm;
5. Using the arrow keys, select MECHANIC or OWNER;
6. Press enter key (↵) to confirm;
7. Set new password.

## 66 Other Features

### PRODRIVER™

PRODRIVER™ is an optional graphic device similar to MCD but with added features. A summary of data displays available from PRODRIVER™ include:

- Instantaneous and average fuel consumption rate;
- Trip time, miles driven, fuel used, , average speed;
- Driving time, percentage, miles, fuel used, fuel consumption rate;
- Idle time, percentage and fuel used;
- Cruise time, percentage, miles cruised, fuel used, fuel consumption rate;
- Top gear time, percentage, miles driven, fuel used, fuel consumption rate;
- Overspeed time and percentage for two speed thresholds;
- Over-rev time and percentage;
- Maximum vehicle speed and RPM;
- Coasting time and percentage;
- Automated oil change interval tracking;
- Hard braking incident record;
- Driver initiated incident record;

Stop Engine and Check Engine code log.

### ALLISON TRANSMISSION CONTROL MODULE (TCM)

The TCM works with the Allison transmission and with the push-button shift selector.

The Allison Transmission Electronic Controls has three major elements: The Transmission Control Module (TCM), speed sensors and the transmission shift selector control pad. Refer to Controls and Instruments chapter. These components work together to electronically control the functions of the transmission. The throttle sensor, speed sensors and shift selector transmit information to the TCM. The TCM processes this information and then sends signals to actuate specific solenoids located on the control valve body in the transmission. The action of the solenoids affects hydraulic circuits, which in turn control the upshifts, downshifts, and lock up functions. In addition to controlling the operation of the transmission, the Allison

Transmission electronic controls monitor the system for abnormal conditions.

When one of these conditions is detected, the Allison electronic control system is programmed to automatically respond in a manner which is safe for the driver, the vehicle and the transmission. The Allison electronic control system turns *ON* the CHECK TRANSlight on the dashboard, which serves as a fault indicator.

To enhance troubleshooting and to allow interrogation of the TCM for valuable service information, the shift selector display on the transmission control pad or an optional diagnostic tool can be used. For information about reading and interpreting diagnostic codes, refer to Technical Information chapter under "Allison Transmission Diagnostic Troubleshooting Codes (DTC)".

### ALLISON TRANSMISSION RETARDER

The transmission retarder is an optional device that helps to reduce the speed of a vehicle. It improves vehicle control, increases driving safety and permits more economical operation. The retarder provides slowing power when it is most needed, such as when descending mountain roads, in stop-and-go traffic and on crowded freeways.

The transmission retarder is a vehicle-slowng device, not a vehicle-stopping device. It is not a substitute for the service braking system. The service brake must be used to bring the vehicle to a complete stop.

The retarder is provided with a switch on the dashboard and a lever on the steering column (refer to Controls and Instruments chapter).

#### **NOTE**

*Extended use will raise the temperature of the transmission fluid.*

The retarder helps reduce speed on grades without using the vehicle's conventional service braking system. This virtually eliminates brake overheating and reduces the risk of a runaway vehicle. A retarder greatly increases the service life of brake pads and discs, resulting in reduced brake maintenance costs.

#### **NOTE**

*Each time the transmission retarder system is in operation, the stoplights automatically illuminate.*

**NOTE**

*For vehicles equipped with the Antilock Braking System (ABS), as the wheels start to lock up on slippery roads, the output retarder automatically deactivates until the wheels roll freely.*

**JACOBS ENGINE BRAKE**

The JACOBS engine brake is an optional diesel engine retarder which uses engine compression to aid in slowing and controlling the vehicle. When activated, (refer to "Controls & Instruments" chapter) the JACOBS brake alters the operation of the engine's exhaust valves so that the engine works as a power-absorbing air compressor. This provides a retarding action to the wheels.

The engine brake is a vehicle-slowng device, not a vehicle-stopping device. It is not a substitute for the service braking system. The service brake must be used to bring the vehicle to a complete stop.

Effectiveness of the engine brake system will vary according to the transmission range in use. The engine brake system is more effective in lower ranges and at higher engine speeds.



**WARNING**

When descending significant grades, use the service brake as little as possible. If the engine does not slow the vehicle to a safe speed, apply service brake and shift to a lower range. Let the engine (and engine brake) slow the vehicle. Keep brakes cool and ready for emergency stopping.

**NOTE**

*Each time the engine brake system is in operation, the stoplights automatically illuminate.*

**ANTILOCK BRAKING SYSTEM (ABS)**

The purpose of the Antilock Braking System (ABS) is to maintain vehicle stability and control during braking and to minimize the stopping distance in any road condition.

On slippery roads and more generally in emergency situations, over-braking frequently induces wheel locking. Wheel locking greatly increases breaking distance on any road surface. Locked wheels also impede directional control and cause severe tire abrasion. An

antilock braking system provides maximum braking performance while maintaining adequate control on slippery roads.

The basis of ABS is constant monitoring of wheel parameters during braking. Sensors on each wheel of the front and drive axles constantly measure wheel speed during braking. This information is transmitted to a four-channel electronic processor which senses when any wheel is about to lock. Modulating valves quickly adjust brake pressure (up to 5 times every second) to prevent wheel lock. Each wheel is therefore controlled according to the available grip.

In this way, the vehicle is brought to a stop in the shortest possible time while remaining stable and under the driver's control.



**WARNING**

Vehicles following ABS-equipped vehicles may not be able to brake as fast on slippery roads.

**DRIVER CONTROLLED DIFFERENTIAL LOCK (DCDL)**

By actuating the electric switch, the driver can lock or unlock differential action.

The purpose of the DCDL is to provide maximum vehicle traction and control on unfavorable road or highway surfaces. When the DCDL is actuated, a clutch collar completely locks the differential case, gearing, and axle shafts together. This feature maximizes traction to both wheels. The lock position will also protect against spinout damage to the differential. The DCDL should not be actuated when favorable road conditions exist.

**OPERATION TIPS**

1. The DCDL can be locked or unlocked if the vehicle is standing still or moving at a constant low speed when the wheels are not spinning, slipping, or losing traction.
2. When the DCDL is locked, operate the vehicle at low speeds. DCDL will not engage and will disengage in speed higher than 5 MPH (8 km/h).
3. When the DCDL is locked, the vehicle's turning radius will increase. This condition is called "understeer." The driver must use caution, good judgment and drive at low speeds when operating the vehicle with the DCDL locked.

## 68 Other Features

4. Always unlock the DCDL as soon as the need for maximum traction has passed and the vehicle is traveling on a good road or highway.
5. Do not lock the DCDL when the wheels are slipping or losing traction, or damage to the axle can result.
6. Do not lock the DCDL when the vehicle is traveling down steep grades, or potential loss of vehicle stability could occur.

### LOCKING THE DCDL

When encountering poor road or highway conditions where maximum traction is needed, follow the recommended procedures:

1. Without the wheels spinning, slipping or losing traction, flip the DCDL control switch to the "LOCK" position while maintaining a constant vehicle speed.
2. Let up momentarily on the accelerator to relieve torque on the gearing, allowing the DCDL to lock.
3. When the DCDL is fully locked, the vehicle will have an "understeer" condition when making turns. Proceed cautiously over poor road or highway conditions.

### UNLOCKING THE DCDL

When the vehicle can safely operate and driving conditions have improved, disengage the DCDL following the recommended procedures:

1. Flip the control switch to the "UNLOCK" position, when the vehicle is stopped or when traveling at low speed while the wheels are not spinning, slipping or losing traction.
2. Let up momentarily on the accelerator to relieve torque on the gearing, allowing the DCDL to unlock.
3. Resume driving at normal speed using good driving judgment.

### KNEELING SYSTEM

This system lowers the front end, enabling passengers to get on and off the coach without any difficulty.

#### **NOTE**

*This coach is equipped with an interlock system which automatically applies the parking brake when the kneeling system is activated.*

To operate, stop the coach, set the transmission to neutral (N), then push down the rocker switch located on the dashboard. (Refer to "Controls & Instruments" chapter). The parking brake will be applied automatically and a warning flasher will indicate that the front of the coach is being lowered.

To raise the front of the coach to its normal height, push up the rocker switch. The front end will rapidly rise up. The system will release the parking brake and shift the transmission to the previously selected range.



### CAUTION

Avoid parking the coach too close to the sidewalk or to other obstacles which could damage the coach during kneeling.

#### **NOTE**

*The kneeling system does not operate when the coach is traveling over 5 mph (8 km/h). Consequently, the driver cannot inadvertently operate the kneeling system at higher speeds.*

#### **NOTE**

*Kneeling is disabled when the entrance door is open.*

### HI-BUOY

The coach may be equipped with the optional front Hi-Buoy or full Hi-Buoy. The front Hi-Buoy system has the same functions as front kneeling. In addition it enables passengers to get on or off the coach easily by raising the front end about 4 inches (100 mm), which may prove useful when the dock is higher than usual. The front Hi-Buoy is combined with front kneeling to increase flexibility of the system. Refer to "Controls & Instruments" chapter.

The full Hi-Buoy system raises the whole coach about 4 inches (100 mm). It can be used to enable passengers to get on or off the coach easily, and to safely travel roads with high obstacles. Refer to "Controls & Instruments" chapter.

#### **NOTE**


*The Hi-Buoy system does not operate when the coach is traveling over 5 mph (8 km/h). Consequently, the driver cannot inadvertently operate the Hi-Buoy system at higher speeds.*



**LOW-BUOY**

This system lowers the coach about 4 inches (100 mm). It enables the coach to drive through underpasses where the height is less than 12 feet (3.7 m).

Low-Buoy operation is controlled by a valve located on the right lateral console. The valve can be switched to either LOW-BUOY or NORMAL positions. A warning light on the dashboard will indicate that the coach is being lowered. Refer to "Controls & Instruments" chapter.

 <b>CAUTION</b>
Avoid parking too close to the curb or other obstacles that could damage the coach during low-buoy operation.

<p><i><b>NOTE</b></i></p> <p><i>The Low-Buoy system does not operate when the coach is traveling over 5 mph (8 km/h). Consequently, the driver cannot inadvertently operate the Low-Buoy system at higher speeds.</i></p>
---


**UNLOADING TAG AXLE**

To reduce the turning radius, the air springs pressure will be automatically reduced by 75% when the coach is moving at speed lower than 5 mph (8 km/h) and with more than 1½ turn from the steering.

**RETRACTABLE TAG AXLE**

The standard tag axle retraction system is controlled by a valve located on the right lateral console. The valve can be switched to either the WHEELS UP or WHEELS DOWN position. The axle will be raised or lowered by air pressure according to the valve position. Refer to "Controls & Instruments" chapter.

The tag axle service brakes operate only when the tag axle is in the WHEELS DOWN position. When the tag axle is in the WHEELS UP position, the corresponding indicator light will illuminate and a beep will sound to alert the driver of the tag axle's position. The tag axle can be raised in tight maneuvering areas like in a parking lot or to make it easier to turn a short corner. The tag axle shortens the wheelbase and allows tighter turning. Raising the tag axle transfers extra weight and additional traction to the drive wheels providing improved control on slippery roads.

 <b>CAUTION</b>
Do not use tag axle in raised position for an extended period. Raising tag axle increases load on the drive axle, suspension and tires. Do not drive vehicle with tag axle raised when speed is exceeding 9mph (15 km/h). In order to prevent damage to the suspension, always raise the tag axle before lifting the coach.

**IN-STATION LIGHTING**


The in-station lighting system circuit is linked with the optional battery charger: When the charger is connected to an external power source, the in-station lighting circuit can be energized without depleting the batteries.

The receptacle used for the battery charger is located on the main power compartment door.

**COOLANT HEATER**

This optional auxiliary heating system is used for preheating and retaining the heat of water-cooled engines. It can be used before startup to ease starting and to provide rapid operation of the interior heating system. It can also be used with the engine running to maintain coolant heat and interior temperature.

The heater operates independently of the engine. It is connected to the cooling system, heating circuits and to the vehicle's fuel and electrical system.

 <b>WARNING</b>
The coolant heating system uses the same fuel as the engine. Do not operate in a closed building or while refueling. Operate only in a well ventilated area.

**SWITCHING THE HEATER ON**

The timer light illuminates when the heater is switched ON. Air is forced in to flush out the combustion chamber of residual gases and the water circulation pump begins operating. The fuel metering pump delivers fuel in precise amounts to the combustion chamber, where fuel and combustion air form a combustible mixture which is ignited by the ignition unit.

Once the flame sensor has signaled to the control unit that combustion has taken place, the

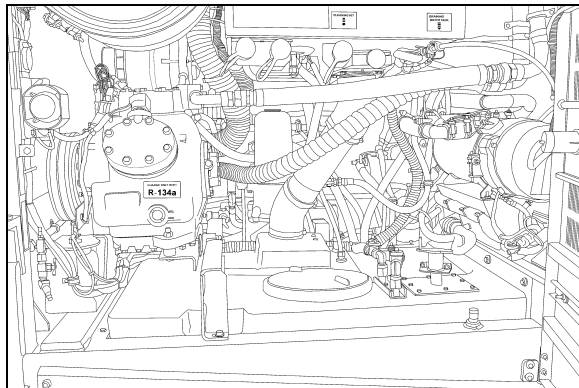
## 70 Other Features

ignition unit is switched *OFF*. The dashboard telltale light will illuminate to indicate when the burner is *ON*.

Hot combustion gases are diverted at the end of the flame pipe and are then forced through the indirect heating surfaces of the heat exchanger. The heat exchanger transfers the heat to the coolant water passing through the heat exchanger.

The heater is thermostatically controlled and operates intermittently (i.e., the switched-on time of the burner varies depending on the heat requirement). The water temperature is controlled by the built-in water thermostat.

The water circulation pump remains in operation as long as the heater is operating, even during the regulated intervals and during the delayed cut-out of the heater. The pump can also be operated independently of the heater by means of an appropriate circuit. The heater can be switched *ON* at any time (i.e., during the delayed cut-out period). Ignition takes place after the delayed cut-out time expires.



ENGINE COMPARTMENT R.H. SIDE

18607

### SWITCHING THE HEATER OFF

The fuel supply is interrupted when the heater is switched *OFF*. This causes the flame to go out and a delayed cut-out of 2.5 minutes begins. The circulating combustion air flushes the remaining combustion gases out of the chamber and cools off the heated parts on the exhaust side of the heat exchanger. The water circulation pump continues to transfer the latent heat present in the heat exchanger, thus preventing hot spots. Once the delayed cut-out time expires, both the combustion air blower and the water circulation pump switch *OFF* automatically. A cut-out will automatically take place in case of heater failure. Refer to Technical Information chapter for additional information.

### COOLANT HEATER TIMER

The timer, located on L.H. lateral console is used to program the starting and stopping time of the preheating system and to give Fault Codes. The system indicator light, located on the timer, illuminates when the system is functional.



#### CAUTION

The preheating system should not operate for more than one hour before starting engine as this could discharge batteries.



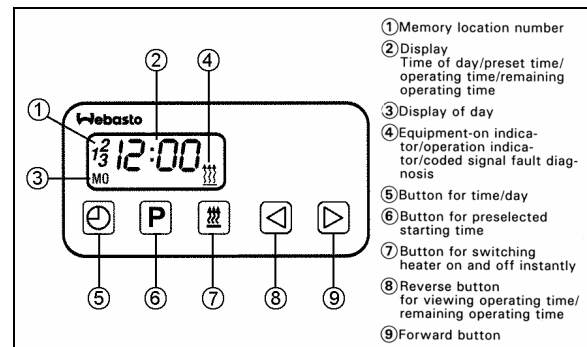
#### WARNING

Preheating system must not operate when vehicle is parked inside or during fuel fill stops.

#### NOTE

*Preheating system uses the same fuel as the engine.*

### Timer operating instructions (Webasto)



WEBASTO

22223

These instructions refer to the Webasto timer illustrated above.

### Remaining Operating Time

The remaining operating time refers to the period of time the heater still continues to remain in operation. It may be changed while the heater is in operation.

### Setting the Digital Timer

After the power has been connected, all symbols on the digital display are flashing. The time of the day and the day of the week must be set.

All flashing symbols of the timer can be set by means of the Forward (9) or Reverse (8) buttons.

When buttons (8) and (9) are pressed for more than 2 seconds, the quick digit advance mode is activated.

**Setting the Time and Day of the Week**

1. Press button (5) for more than 2 seconds (time display flashes).
2. Press (8) or (9) button to set the time of day.
3. Wait 5 seconds. The time of day is stored (day of week flashes).
4. Press (8) or (9) button to set the correct day of week.
5. Wait 5 seconds. The day of week is stored.

**Viewing the Time (Ignition ON)**

Continuous display of current time and day of the week.

**Viewing the Time (Ignition OFF)**

Briefly press button (5) to display current time and day for 5 seconds.

**Switching Heater ON (Instant Heating) With Ignition ON:**

Press button (7). Heater is switched on (continuous operation) and continues to operate until button (7) is pressed again or ignition is switched off.

***NOTE***  
 If the ignition is switched off while heater is in operation, the remaining operating time of 15 minutes flashes on the display and the heater will continue to operate for this period of time.

**Switching Heater ON (Instant Heating) With Ignition OFF:**

Press button (7). Heater is switched on for preset operating time (the factory-set heater operating duration is 60 minutes)

**Switching Heater OFF**

Press button (7). The heater starts its after-run cycle and switches off thereafter.

**Presetting Starting Time**

1. Press button (6). Memory location number flashes.

***NOTE***  
 By repeatedly pressing button (6), starting time 2 or 3 can be preset.

2. Press button (8) or (9) until correct startup time is set.
3. Wait 5 seconds. Preset starting time is stored and day of week flashes.
4. Press button (8) or (9) to select the correct startup day of week.
5. Wait 5 seconds. The startup day of week is stored.

The number of memory location remains on the display. The timer is now in the programmed mode and will switch the heater on at the preset time.

***NOTE***  
 We recommend that memory locations 1 and 2 be used for presetting times within 24 hours of setting the timer. Memory location 3 can be used for a starting time within the next 7 days of setting the timer.

**Recalling Preset Times**

Press (6) repeatedly until the desired memory location number and preset time are displayed.

**Canceling Preset Time**

Press button (6) repeatedly until no more memory location number is visible on the display.

**Setting Operating Time**

1. With heater off, press button (8). Operating time flashes.
2. Press button (8) or (9) to set the operating time (between 1 and 120 minutes)
3. Wait 5 seconds. Operating time is stored.

The heater remains in operation for the preset time (except for continuous operation).

**Setting the Remaining Operating Time**

1. With heater in operation, press button (8). Remaining operating time flashes.
2. Set remaining time with button (8) or (9).
3. Wait 5 seconds. Remaining operating time is stored.

**Operational Failure Symptoms via Fault/Flash code**

The following table lists the possible faults which can be read by flashing code off of an appropriate timer, the equipment-on indicator /operation indicator flashes.

## 72 Other Features

Failure Symptom	Probable Cause	Check and Correct
<b>1X Flash (F 01)</b> No combustion after completion of start up sequence.	- Fuel system  - Combustion air - Electronic ignition	- Fuel level - Type of fuel being used - Fuel filter - Fuel line connections (air bubbles in fuel lines) - Fuel nozzle plugged - Air intake or exhaust, restricted or plugged - Incorrect electrode gap
<b>2X Flashes (F 02)</b> Flame out during burner operation no restart possible	- Fuel supply (shortage of fuel)	- Restriction in the fuel system - Fuel filter - Fuel line connections (air bubbles in fuel lines) - Type of fuel being used
<b>3X Flashes (F 03)</b> Low voltage for more than 20 seconds	- Electrical system	- Load test batteries - Corrosion at connections - Loose connections
<b>4X Flashes (F 04)</b> Flame detector recognizes false flame signal during pre-start or shut-down cycle	- Defective flame detector	- Replace flame detector
<b>5X Flashes (F 05)</b> Flame detector	- Wiring - Defective flame detector	- Damaged wiring, open or short circuit - Replace flame detector
<b>6X Flashes (F 06)</b> Temperature sensor	- Wiring - Defective temperature sensor	- Damaged wiring, open or short circuit - Replace temperature sensor
<b>7X Flashes (F 07)</b> Fuel solenoid valve	- Wiring  - Defective solenoid valve	- Damaged or corroded wiring, open or short circuit - Replace solenoid valve
<b>8X Flashes (F 08)</b> Combustion air fan motor	- Wiring - Wrong RPM - Defective combustion air fan motor	- Damaged wiring, open or short circuit - Replace combustion air fan - Replace combustion air fan
<b>9X Flashes (F 09)</b> Circulation pump motor	- Wiring - Defective circulation pump motor	- Damaged wiring, open or short circuit - Replace circulation pump motor
<b>10X Flashes (F 10)</b> Temperature limiter	- Overheat condition - Coolant flow  - Wiring  - Defective temperature limiter	- Reset temperature limiter - Coolant level or flow restriction - Air trapped in coolant circuit - Damaged or corroded wiring, open or short circuit - Replace temperature limiter
<b>11X Flashes (F 11)</b> Electronic ignition coil	- Wiring - Defective electronic ignition coil	- Damaged wiring, open or short circuit - Replace electronic ignition coil
<b>12X Flashes (F 12)</b> Heater lock out	- 3 repeated faults/flame-outs or 5 repeated start attempts	- Reinitialize control unit by switching heater on and disconnecting power.

### TROUBLESHOOTING AND MAINTENANCE

The diagnostic code system in Webasto timers is standard. Refer to the Maintenance Manual and to Webasto manual for more information.

#### **NOTE**

*If there are no heater faults, the heater will go through a normal start cycle and regulate based on thermostat setting.*


#### **NOTE**

*Switch on the preheating system briefly about once a month, even during the warm season.*




#### **CAUTION**

When welding on the vehicle, disconnect the preheater module connector in order to protect this system from voltage surges.

 **CAUTION**


To avoid running down the batteries, do not turn on the preheating system for more than one hour before starting the engine.

 **WARNING**

The preheating system uses the same fuel as the engine. Do not operate in a building or while refueling. Operate only in a well-ventilated area.

**WHEELCHAIR LIFT SYSTEM**

Read and understand the RICON Service/Owner Manual before attempting to use the wheelchair lift. The instructions below are a quick reference and serve to complement the information provided by RICON.

 **WARNING**

To operate the optional wheelchair lift, the coach must be parked on a flat and level surface, with the parking brake applied.

Activate the lift mechanism circuit by pressing down on the wheelchair rocker switch on the dashboard.

**WHEELCHAIR LIFT AND ACCESS DOORS**

Open the lift mechanism access door and carefully lower. Pull the wheelchair access door operating handle in the left section of the lift mechanism compartment and swing the door until locked open.

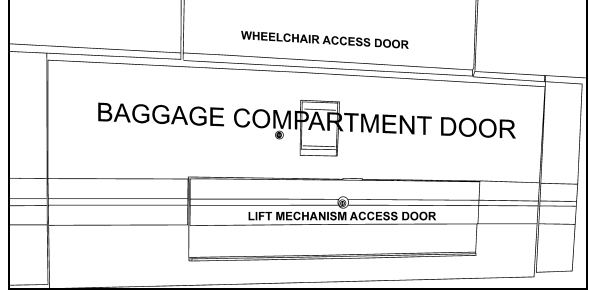
A light inside the vehicle illuminates the doorway when the wheelchair access door is open.

A telltale light on the dashboard illuminates when the lift mechanism access door or the wheelchair access door is open. Refer to Controls and Instruments chapter.

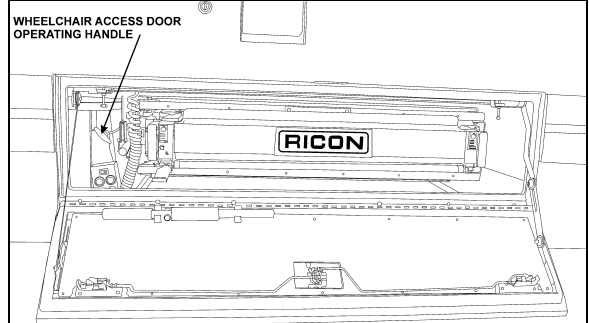
When either the lift mechanism access door or the wheelchair access door is open, the parking brake cannot be released and the transmission gear selector will not register any gear selection.

If in motion and the access door opens, a telltale light will illuminate and an audible alert will sound. When the coach reaches 2 mph (3 km/h), the parking brake will activate.

To close the door, take the tension off the locking mechanism by pushing the door more open, then pull on the tab at the bottom of the door to unlock from the open position, and then slam the door shut.




WHEELCHAIR LIFT AND ACCESS DOORS 18615




WHEELCHAIR ACCESS DOOR OPERATING HANDLE 18616


**OPERATING THE WHEELCHAIR LIFT**

 **WARNING**

Inspect the lift before each use as described in the RICON Owner's manual. If any unsafe condition exists, or if unusual noises or movements are noticed, DO NOT use and contact an authorized RICON dealer for repair.

 **WARNING**

Read and comply with all warning labels and symbols affixed to the wheelchair lift.

 **WARNING**

Do not operate with a load in excess of 660 lbs (300 Kg).

The coach must be parked at least 10 feet (3 meters) away from other vehicles or large objects. Turn on the POWER ENABLE switch and then control each lift motion by pressing an appropriate button. The POWER ENABLE switch provides power to the pendant and

## 74 Other Features

thereby enables the lift. When turned on, the power switch and each button illuminate. When operating the lift, be careful the control wire doesn't bind with the lift mechanism.

Using the handheld control pendant, deploy the lift by pressing on the DEPLOY button.

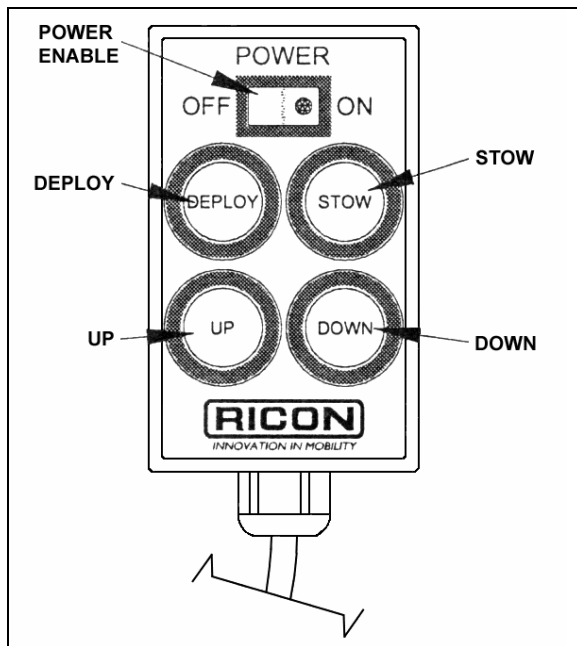
When the lift begins to deploy, it is normal to hear a clutch action of one or two clicks should be heard. Once deployed, lift the handrails until locked in vertical position. Buckle the restraint belt.

Use the UP and DOWN buttons to raise or lower the platform. Upon reaching the top or the bottom of its stroke, the appropriate rollstop will lower.

### NOTE

*The restraint belt acts as a safety device and it prevents raising or lowering the lift when not buckled.*

Roll the wheelchair onto the platform with the wheelchair facing outwards because the front rollstop is not designed to keep the large rear wheels of a wheelchair from rolling off the platform.



CONTROL PENDANT

23364



### WARNING

Use extreme care when rolling on or off the platform and lock the wheelchair brakes while stationary on the platform. Make sure the wheelchair fits safely on the platform. Keep arms and legs away from moving parts.

To stow the platform, detach the restraint belt and fold the left handrail, then fold the right handrail (lift the slam lock handles to fold handrails). Re-fasten restraint belt. Press down and hold the STOW button until the lift is fully stowed.

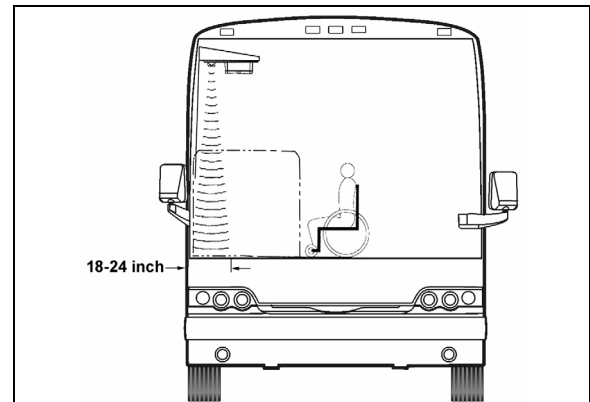
### THRESHOLD WARNING SYSTEM (TWS) ADJUSTMENT

There are three verifications to perform; 1) Adjust Aiming of Acoustic Sensor Beam, 2) Test Aim of Acoustic Sensor Beam, and 3) Adjust Acoustic Sensor Timing.

Adjustment of the sensor timing is done at the factory and should not need to be repeated in the field. Readjustment should only be considered if the sensor aiming could not be adjusted to ignore both the wheelchair in the aisle and the platform during its normal movement.

#### Adjust Aiming of Acoustic Sensor Beam

1. Place wheelchair with passenger in center aisle of coach, pointed at doorway where Threshold Warning System (TWS) is installed. The TWS should not detect a wheelchair and passenger when they are located this far from doorway.



TWS AREA

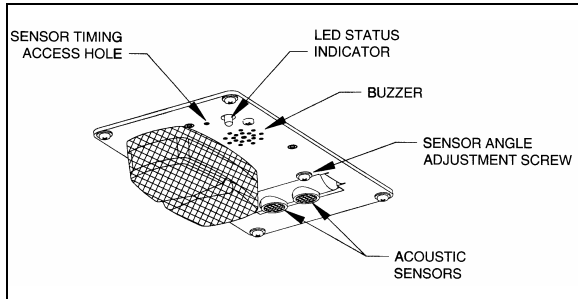
23371

2. Turn power to lift on (LED on TWS module will light steady) and indicator light on the control device illuminates. If wheelchair and passenger are detected by acoustic sensors the LED will flash, the buzzer will sound and the module red light will flash. If this occurs it is necessary to adjust aiming of sensors.
3. Turn sensor angle adjustment screw clockwise to move direction of beam away from center aisle and towards doorway. Stop adjustment when LED ceases to flash.

**NOTE**

Only in rare instances will adjustment be needed in the counterclockwise direction.

4. Move centerline of small wheels of wheelchair (with passenger) to within 24 inches of doorway and repeat aiming procedure in previous step.



TWS MODULE DETAIL

23368

**Test Aim of Acoustic Sensor Beam**

1. Move wheelchair and passenger slowly towards doorway. TWS should detect wheelchair and passenger (LED will flash, buzzer will sound and the module red light will flash) when centerline of front wheels is between 18 and 24 inches from doorway.
2. Open vehicle access door above lift. Lower platform to ground and place wheelchair and passenger at rear of platform. Rollstop (rear barrier) should be up. Raise platform to floor level. This normal platform motion with wheelchair and passenger aboard should not actuate TWS. If LED does flash (buzzer will also sound and module red light will flash), turn sensor adjustment screw slightly counterclockwise.

**NOTE**

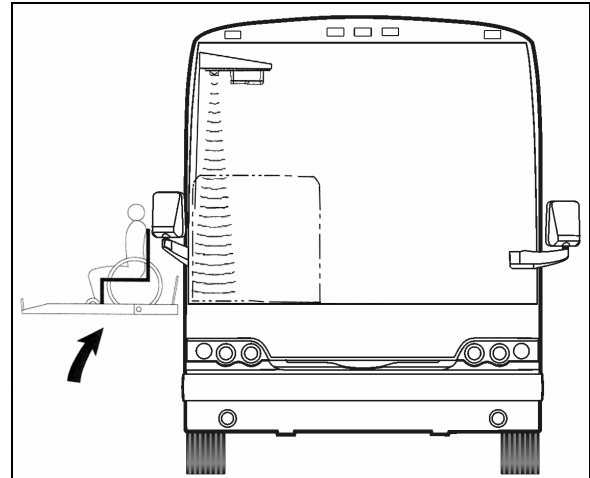
If an adjustment is made, repeat the previous step where wheelchair is between 18 and 24 inches from doorway.

**Adjust Acoustic Sensor Timing**

1. Support a flat sheet of cardboard, or similar material, directly beneath TWS module at a distance of 4½ feet below module. Sheet must be facing sensors.

**NOTE**

Before proceeding, visually inspect sensors to verify that they are pointing directly at floor, or nearly, and are not pointing off at an extreme angle..



CHECKING NORMAL PLATFORM POSITION

23372

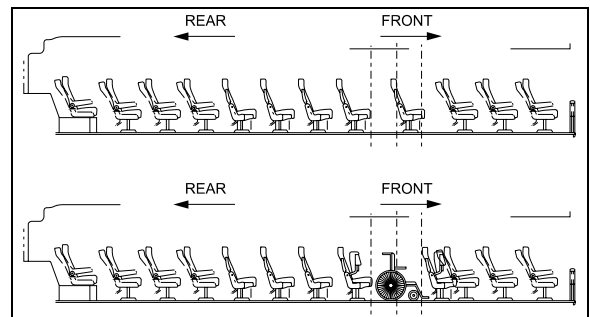
2. Note the sensor timing access hole. This hole provides access to a plunger-actuated switch that sets the sensor timing. Insert a 1/16-inch diameter wire-like object into the access hole and press the plunger inward. The LED will flash momentarily while the module establishes the distance and then remain on steady. Release the plunger when the LED ceases to flash.

**NOTE**

It is important that objects, such as your body, tools, seats, etc, do not interfere with the beam while the adjustment is being made.

**INTERIOR APPOINTMENTS**

To accommodate a wheelchair, two rows of regular seats on one side of the coach must be folded and slid away. Seats may be folded on both sides of the coach to make room for a second wheelchair.

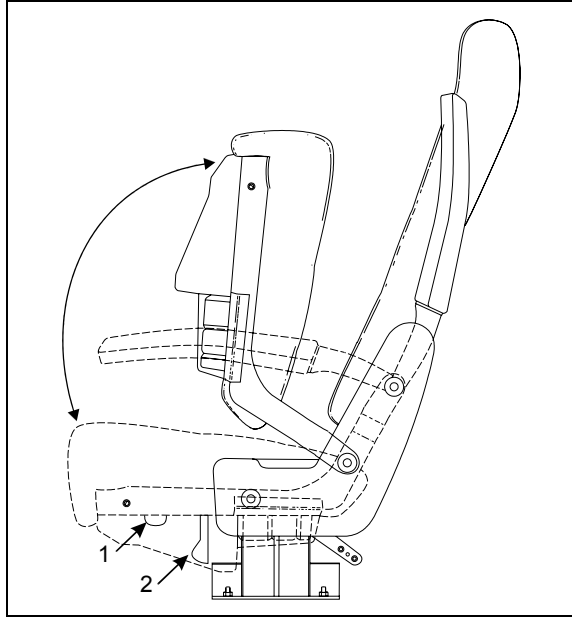


POSSIBLE SEATING ARRANGEMENTS

23259

An electrical wheelchair or tri-wheeler may require sliding back seats from both sides of the coach to allow enough turnaround space.

## 76 Other Features



**FOLDING SEATS**

18430

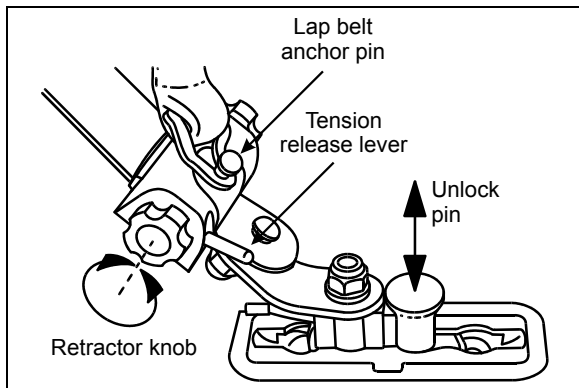
To fold a set of seats, raise the seat back then lift up the seat cushion (pull on lever 1). To slide a row of seats, remove the black covers from the floor tracks. Pull the lever 2 while sliding the seat along the track.

The wheelchair occupants have a hostess/stop chime and a reading light switch at their disposal on the window sill of the coach, within easy reach.

### Wheelchair Restraint System

Two sets of wheelchair restraint belts are kept in plastic pouches and stowed in an overhead compartment.

To secure each wheelchair, four tiedown straps must be used (at all four corners).



**BELT ANCHORING AND RETRACTION SYSTEMS**

23266

Two of the four retaining belts have attaching pins on the retractors to secure the occupant's lap belt. They must be placed at the rear of the wheelchair.

Each tiedown retractor slots into a floor anchorage track.

To anchor the retaining belts, lift the track cover, push in the retractor anchor then slide it until it locks in place. Hook one strap to each corner of the wheelchair frame (not the wheels) and allow the retractors to tension the belts.

To remove the restraint belts, release tension in the locking mechanism by tightening the belt slightly more with the retractor knob before pushing down on the red release lever on the retractor. Unhook the wheelchair and allow the belts to retract. Guide the belts in, making sure they remain untwisted as they retract.

Release the anchor by lifting the lock pin then sliding out and up the anchor from the floor track. Close the lid on the tracks to prevent dirt from entering the track cavity.

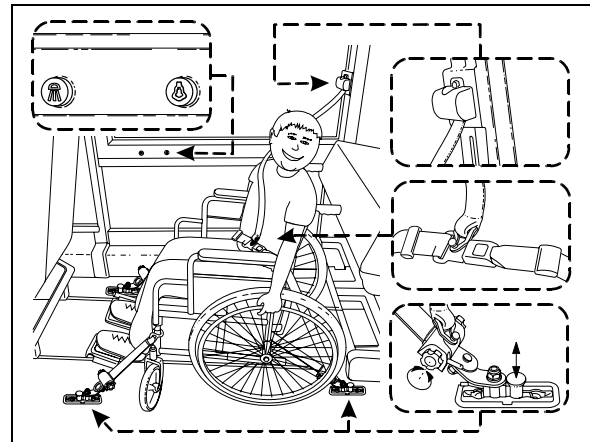


### CAUTION

Do not let restraint or safety belts rub against sharp edges. Do not bleach or dry clean.

### Wheelchair Occupant Restraint

Secure the wheelchair occupant in the following manner:



**WHEELCHAIR RESTRAINTS AND ACCESSORIES**

23262

Snap the lap belts to the pins on the retractors of the rear restraint belts. Adjust the lap belt so it sits snug across the hips. Snap the shoulder belt to the pin on the lap belt. A retractor adjusts shoulder belt length automatically.

To release the belt, unsnap the shoulder belt then press the red button in the center of the buckle.





**WARNING**

A snug fit with the lap belt positioned low on the hips is necessary to maximize safety. The belt should not be worn or twisted. Avoid pinching the belt and/or hardware. Do not wear over rigid or breakable objects such as eyeglasses, pens or keys as these may cause injuries.

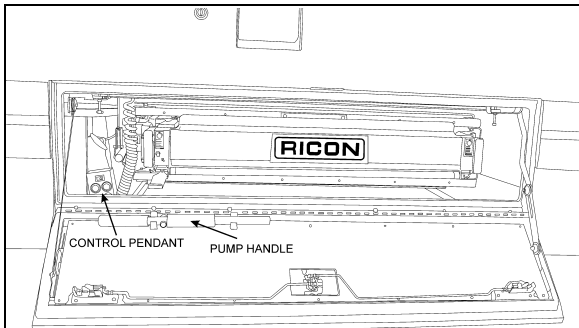
**EMERGENCY OPERATION**

In the event of electrical power loss, manual operation of the lift is possible as explained below.

**To manually deploy the platform**

Allow enough space for lift operation and passenger boarding. If a break down situation exists and the vehicle cannot be moved so that the lift system can be operated safely, the operator must summon emergency assistance to move the vehicle before operating the lift.

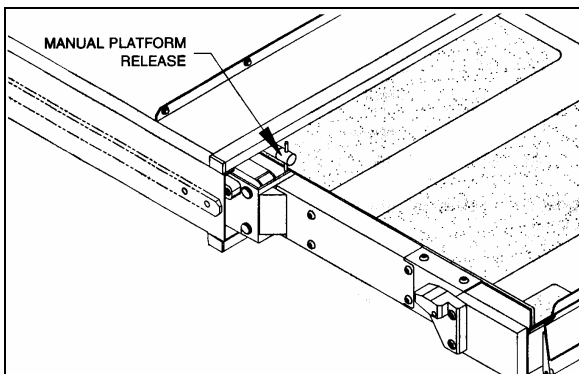
Fully open wheelchair access and lift doors. Ensure that there are no obstacles in the path of the lift.



**WHEELCHAIR LIFT MANUAL OPERATION** 23375

Remove the pump handle from inside the lift mechanism access door.

Turn one of the manual platform release shafts using pump handle extension.



**MANUAL PLATFORM RELEASE SHAFT** 23334

Grasp the platform and pull firmly until the lift is all the way out against the carriage stops.

**To manually raise the platform**

Remove the pump handle from inside the lift mechanism access door.

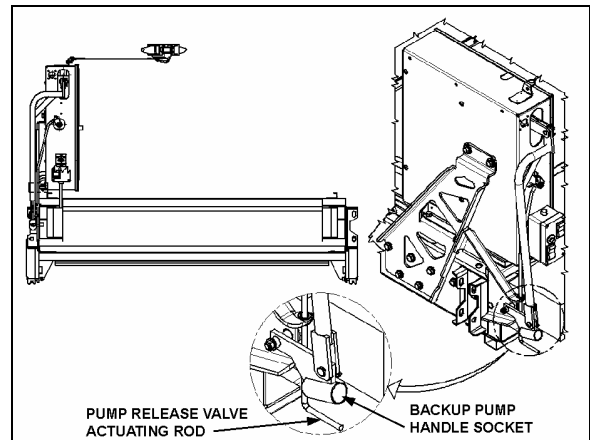
Push the pump release valve actuating rod UP.



**CAUTION**

During manual rising of the lift, do not raise the platform more than 1-½ inches above the vehicle floor level. Any excessive travel will make it difficult to enter the platform and/or damage the lift bridge plate actuator. The outer edge of the bridge plate must rest squarely on the vehicle floor.

Insert handle extension into manual backup pump handle socket and pump to raise the platform to the vehicle floor level.



**WHEELCHAIR LIFT MANUAL HYDRAULIC PUMP** 23373

The lift passenger and attendant must follow the instructions to ENTER or EXIT the vehicle, as previously described.

**To manually lower the platform**

Slowly pull the pump release valve actuating rod DOWN until the platform begins to lower.

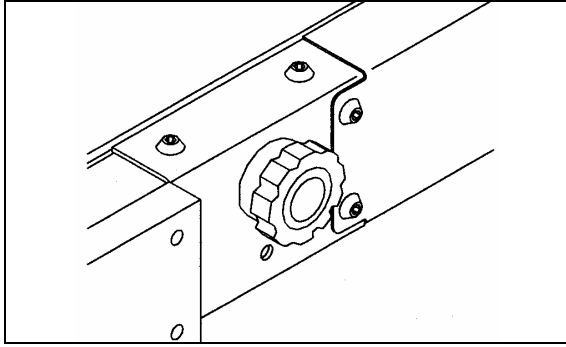
Allow the platform to reach ground level.

Push the pump release valve actuating rod back UP until lightly-snug.

Using the rollstop manual control knob and one hand on the rollstop, OPEN the rollstop.

The attendant and lift passenger should follow the instructions to ENTER or EXIT the vehicle, as described previously.

## 78 Other Features



ROLLSTOP MANUAL CONTROL KNOB

23275

### To manually stow the platform

Raise or lower the platform to the deploy/stow position; the platform frame must be parallel to the side of the lift enclosure. If the exact position cannot be obtained, slightly low is preferred to slightly high.

Using the rollstop manual control knob and one hand on the rollstop, close the rollstop until it latches.

Use one person on each side of the lift to prevent mechanical binding.

With fingers up and palms forward, push the platform forcefully to start the lift moving inward. As the lift begins to move inward, maintain a constant pushing motion until the lift comes to rest completely inside the lift enclosure.

Push firmly and make sure that the platform manual release shafts have turned to lock the platform.

### To manually stow the lift from ground level

In the unlikely event of a hydraulic system failure and the manual backup pump is inoperative, the lift may be stowed as follows by **two or more able-bodied people**:

Raise or lower the platform to the deploy/stow position; the platform frame must be parallel to the side of the lift enclosure. If the exact position cannot be obtained. Slightly low is preferred to slightly high.

Using the rollstop manual control knob and one hand on the rollstop, close the rollstop until it latches.



### WARNING

The platform is heavy and should be lifted using caution and proper lifting technique: Always lift with legs and not the back when attempting to lift heavy objects.

Use one person on each side of the lift to prevent mechanical binding.

With fingers up and palms forward, push the platform forcefully to start the lift moving inward. As the lift begins to move inward, maintain a constant pushing motion until the lift comes to rest completely inside the lift enclosure.

Push firmly and make sure that the platform manual release shafts have turned to lock the platform.

### WHEELCHAIR LIFT REMOVAL FOR STORING OR MAINTENANCE PURPOSES

Disconnect connector located at compartment ceiling.

Remove 4 fixing bolts located inside compartment, on each side of platform.

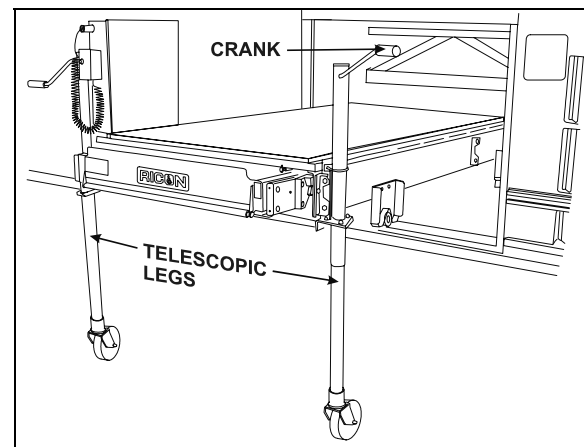
Grasp the platform and pull firmly, sustaining a constant pull so that the platform slides onto the rails until the carriage come in contact with the stops.

Secure the first two telescopic legs onto the platform.

#### NOTE

*There are two telescopic legs for each platform side. The proper side is indicated onto the telescopic leg.*

Turn telescopic leg crank to raise the carriage to be able to clear the stops.



INSTALLATION OF TELESCOPIC LEGS

23333

Pull the platform until the rear carriage hit against the stops.

Secure the two rear telescopic legs onto the platform then turn telescopic leg crank to be able to clear the stops.

Remove platform completely.

Lower the platform to minimum height using the telescopic leg cranks before moving it.



**WARNING**

For better stability, keep the platform at minimum height when moving.



**WARNING**

Never deploy the platform from enclosure while standing on the telescopic legs.



**WARNING**

Telescopic legs were designed to support and move the platform only, do not use as a work table.



**WARNING**

Before moving platform, make sure that floor is level and free of obstacles.



**WARNING**

When re-inserting platform into compartment, make sure that carriage wheels are properly aligned over the L. H. side triangular rail before removing telescopic legs.

**WHEELCHAIR LIFT INSTALLATION**

- Raise the platform to proper level.
- Insert the platform so that the rear carriage clears the stops.
- Turn telescopic leg crank until the carriage comes in contact with the rails.
- Remove the two rear telescopic legs from the platform.
- Insert the platform until the front carriage clears the stops.
- Lower the front of the platform.
- Remove the two front telescopic legs from the platform.
- Push firmly and make sure that the platform manual release shafts have turned to lock the platform.
- Secure the 4 fixing bolts located inside compartment, on each side of platform. **Apply a torque of 60 lbf-ft.**
- Reconnect connector located at compartment ceiling.

## 80 Starting and Stopping Procedures

### STARTING THE ENGINE

In normal circumstances, the engine should be started from the driver's seat. However, a rear-start panel in the engine compartment permits starting the engine from that location, mainly for maintenance purposes.

#### STARTING FROM THE DRIVER'S SEAT

- Make sure the starter selector switch located in the engine compartment is set to the *NORMAL* position and that the battery master switch (master cut-out) located in the rear electrical compartment is set to the *ON* position.
- Apply the spring-loaded parking brake by pulling the parking brake control button all the way up;
- Place transmission in neutral;
- Turn ignition key to *START* position (refer to Controls and Instruments chapter), release the key after the engine starts.
- Brake pedal must be applied when selecting Drive (D) otherwise the transmission will stay in neutral (N).



#### CAUTION

Do not engage starter for more than 15 seconds at a time. If engine does not start within 15 seconds, release ignition key and let starter cool for one minute before attempting to restart.



#### CAUTION

Do not press accelerator pedal before starting. This could result in an electronic control unit fault and degrade the fuel system control.



#### CAUTION

Special precautions are necessary with turbocharged engines to avoid possible turbine damage. After starting, run the engine at normal idle for two minutes to allow lubricating oil to reach the turbocharger then run the engine at fast idle. Let oil pressure reach normal operating range before driving.

#### NOTE

If engine does not start, return key to *OFF* position before attempting to restart.

#### NOTE

If the accelerator pedal is depressed before starting, release and wait 30 seconds before attempting to restart.

#### Stopping the Engine

- Apply parking brake and place transmission in neutral (N);
- Allow engine to idle for at least two minutes before shutting engine *OFF*. This insures that the turbine speed drops and allows time for the engine exhaust gas temperature to drop to about 300°F (150°C);
- Shut off all electrical loads;
- Turn the ignition key to the *OFF* position.



#### CAUTION

Do not shut *OFF* engine when running above normal idle.



#### CAUTION

Set the battery master switch (master cut-out) to the *OFF* position after parking and when left unattended for an extended period of time.

#### STARTING FROM THE ENGINE COMPARTMENT

Switches to start and stop the engine from inside the engine compartment are mounted on a small panel above the air filter.



#### DANGER

Apply parking brake and place transmission in neutral (N) before starting engine from inside the engine compartment.

Set the battery master switches (ignition and master cut-out) to the *ON* position;

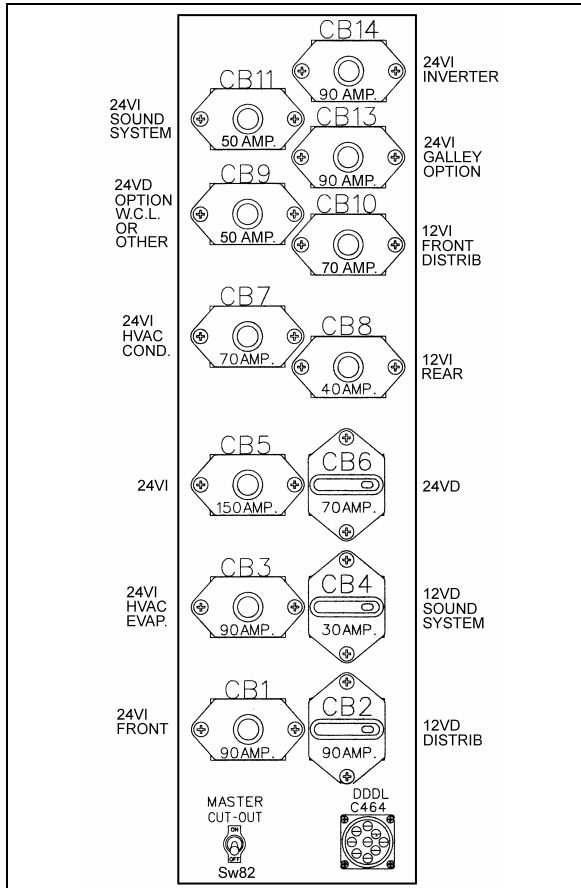
Set the starter selector switch to the *REAR START* position;

Press the *REAR START* push-button switch, release push-button after the engine starts.



#### DANGER

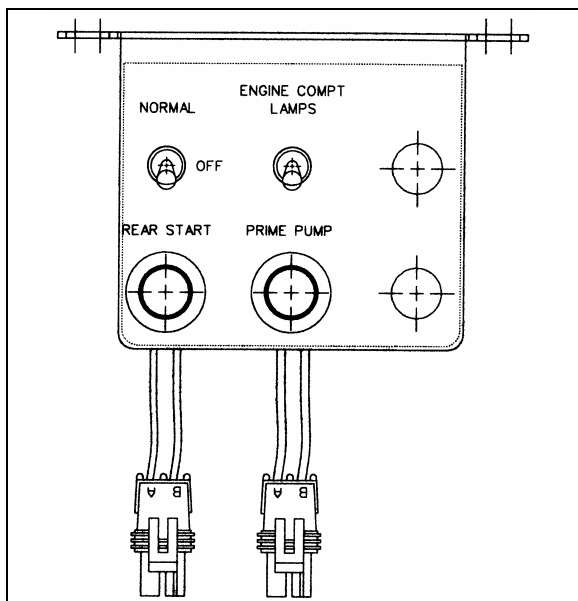
Do not wear loose clothing when working near engine. Stand clear of rotating components.



**REAR ELECTRICAL COMPARTMENT SAFETY SWITCH**<sub>06621</sub>

CAUTION

Refer to cautions in “Starting From The Driver’s Seat” in this chapter



**REAR START PANEL**

06622

DANGER

Rotating shafts can be dangerous. You can snag cloths, skin, hair, hands, etc. This can cause a serious injury or death. Do not work on a shaft (with or without a guard) when the engine is running.

### Stopping the Engine

To stop the engine from the engine compartment, set the starter selector switch to the *OFF* position.

CAUTION

Do not stop engine by any other method.

### COLD WEATHER STARTING

The vehicle may be equipped with the optional ether cold starting aid to facilitate cold-weather starts. A toggle switch located near the ignition switch on the dashboard activates the starting aid. A dashboard logic circuit prevents inadvertent activation while the engine is running.

To activate the ether starting aid, proceed as follows:

1. While cranking engine, press the “Ether” rocker switch on the dashboard for 3 seconds to fill the solenoid valve;
2. Release rocker switch to discharge a shot of ether;
3. Keep engine cranking, allow 3 seconds for the shot to discharge;
4. The engine should start.

CAUTION

Use the cold starting aid only when absolutely necessary. Excessive use of starter fluid could result in severe engine damage.

### JUMP STARTING

In order to avoid damage to solid-state electrical components, it is important that jumper (booster) cables be used correctly and only in emergencies. To jump start, use another 24 volt DC, negative grounded, power source. Use only jumper cables rated at 500 cranking amperes.

## 82 Starting and Stopping Procedures



### DANGER

Injury, explosion, battery acid damage or charging system overload may result if these jump starting procedures are not precisely followed.



### WARNING

Wear eye protection and remove rings, metal jewelry and watches with metal bands.



### DANGER

The gases given off by batteries while jump starting are explosive. Do not smoke near batteries.



### DANGER

The battery could rupture or explode if jump started when the run-down battery fluid is frozen or if the battery fluid level is low. Check condition of run-down battery before attempting to jump start.



### CAUTION

Do not let the two vehicles touch. Keep a walk-through distance between the two vehicles. Make sure positive (red) and negative (black) jumper cable clamps do not touch.



### CAUTION

Never connect the jumper cable to the negative terminal post of the run-down battery.



### CAUTION

Do not jump start if a maintenance-free battery has a yellow test indicator. Have the battery replaced.



### WARNING

Before attempting to jump start, make sure the parking brake is applied and the transmission is in neutral (N). Turn off all lights, heaters and other electrical accessories.



### CAUTION

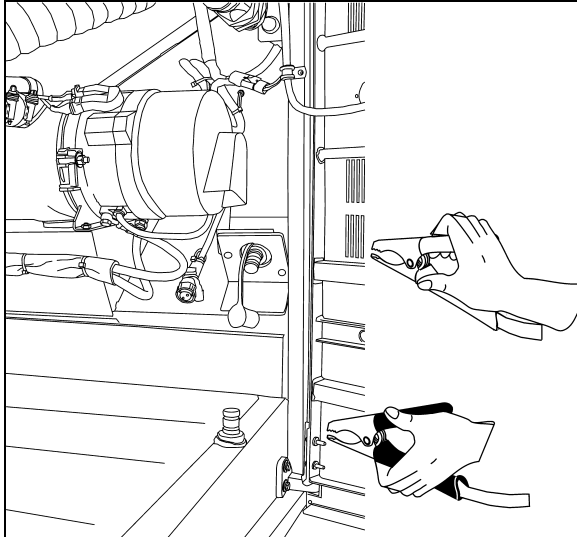
Choose a booster vehicle which produces comparable amperage as your vehicle.

To jump start, proceed as follows:

1. Remove the protective cap from the booster block terminal located in the R.H. side engine compartment;
2. Connect one end of the red jumper cable to the positive (+) post of the booster power source. If the good battery is in another vehicle, that vehicle's engine must be shut *OFF* before connecting;
3. Connect the other end of the same red jumper cable to the positive (+) terminal on the booster block;
4. Connect one end of the black jumper cable to the negative (-) post on the booster power source;
5. Connect the other end of the same black jumper cable to the negative (-) terminal on the booster block; If the good battery is in another vehicle, start that vehicle's engine;
6. Let the engine run for a few minutes, then start the vehicle with the run-down battery;
7. Disconnect the jumper cables in reverse order given in steps 2 through 5;
8. Install protective cap on the booster block terminal.

### *NOTE*

*Jumper cables must be rated at 500 cranking amperes. If jumper cable length is 20 feet (6 m) or less, use 2/0 (AWG) gauge wires. If cable length is between 20 to 30 feet (6 to 9 m), use 3/0 (AWG) gauge wires.*

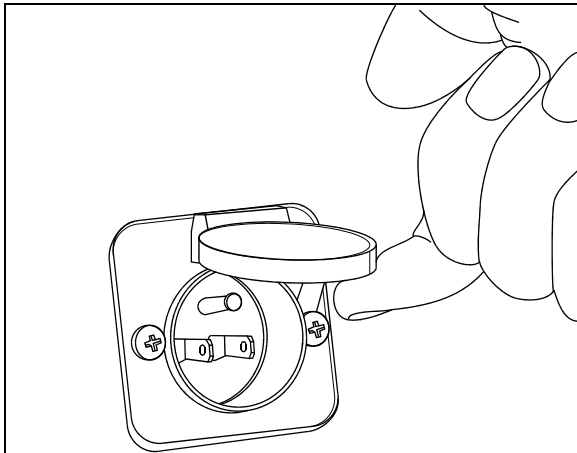


**BOOSTER BLOCK LOCATION**

06623

## ENGINE BLOCK HEATER

The vehicle may be equipped with an engine immersion-type electric block heater to assist cold weather starting. A connector is on the rear pillar of the curb-side engine compartment door frame. Using an extension cord, connect to a 110 - 120 VAC outlet.



**110-120 VOLTS CONNECTOR**

06390



### CAUTION

Connect only to a 110-120 VAC power source. Use only grounded (three prongs) extension cords with a minimum rated capacity of 15 amps. Disconnect the extension cord before starting. Before driving, make sure the extension cord is disconnected and the engine compartment door is closed.

## ENGINE WARM-UP

After starting the engine, keep the parking brake applied and let the engine run at normal idle for two minutes to allow lubricating oil to reach the turbocharger. Increase engine speed to fast idle, using the FAST IDLE switch located on the dashboard for five minutes, without loading the engine. Monitor the gauges and indicator lights to make sure all conditions are normal. If an abnormal condition is observed, stop the engine immediately and have the condition corrected.



### WARNING

Never let the engine run in an enclosed, non-ventilated area. Engine exhaust fumes contain dangerous gases which can be fatal if inhaled. Before warming up the engine, open the door(s) or move the vehicle outside.

### NOTE

*The engine will reach normal operating temperature shortly after driving. Avoid driving at full throttle until engine coolant temperature reaches 140°F (60°C).*

## ALLISON TRANSMISSION WARM-UP

When the transmission temperature falls below -20°F (-29°C), the CHECK TRANS telltale light illuminates after the engine is started, and a reminder tone will sound. In this case, the transmission will be locked in neutral (N) until the transmission temperature rises above -20°F (-29°C) and the CHECK TRANS telltale light goes out. The transmission will only operate in first or reverse gears until it reaches normal operating temperature.

## ZF-ASTRONIC TRANSMISSION - STARTING THE VEHICLE AT LOW TEMPERATURES

**For outside temperatures between -20°C and -30°C**, the transmission will require a warming up phase once the engine is started. The engine must be operated for at least 10 minutes with the vehicle at a standstill until the transmission oil has warmed up.

**For outside temperatures below -30°C**, warm air must be used to heat the transmission up to a temperature above -30°C before the engine is started.

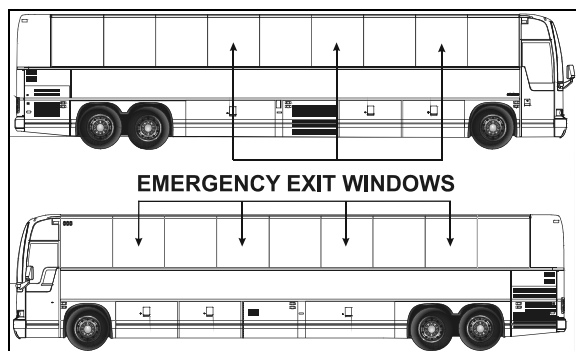
## 84 Safety Features and Equipment

### EMERGENCY EXITS

Locate and learn how to use all possible emergency exits. It is good practice to inform passengers of the location of exits and how to use them in case of an emergency.

### SIDE WINDOWS

Some side windows can be opened from the inside for emergency exit. A decal located on the bottom of each passenger window indicates the location of the nearest emergency exit. Also, blue lights close to the wall in the overhead storage compartments illuminate the emergency exit decals. These lights illuminate when the general lighting switch is on.



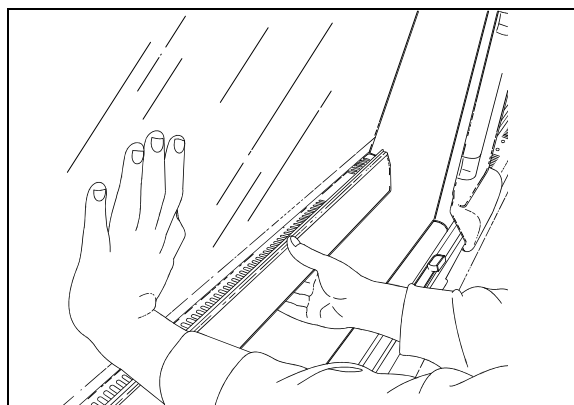
EMERGENCY EXIT WINDOWS (X3-45)

18617

To open a side window emergency exit, tilt up the release bar and push the bottom of the window outwards, as illustrated below. The window is hinged from the top and will not fall out.

A telltale light on the dashboard illuminates when a window is opened. Refer to Controls and Instruments chapter for more information.

To close the window, tilt up the release bar and pull the window back. Push down the release bar to lock shut.

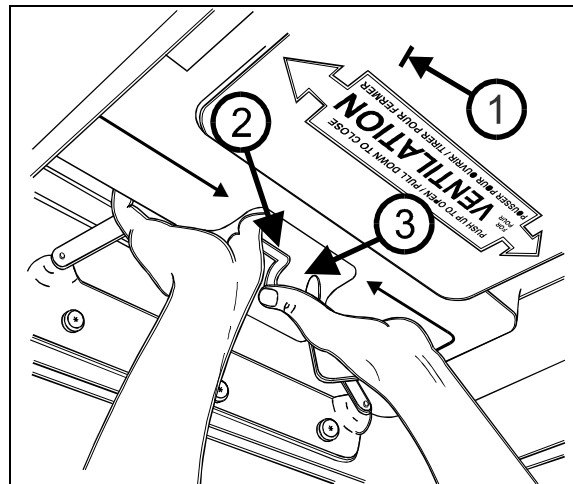


SIDE WINDOW EMERGENCY EXIT

18391

### ROOF HATCH

A roof ventilation hatch designed to be opened by occupants is installed in the roof in the front of the vehicle. The hatch can serve as emergency exit. In case of an emergency, push out the ventilation hatch completely (1). To release the hatch, pull tab (2) rearward while pushing handle (3) out. An instruction decal with complete operating instructions is located on the hatch.



EMERGENCY ROOF ESCAPE OPENING

23149

### NOTE

*In the event of ventilation blower motor failure, the roof hatch may be used to aid ventilation by pushing the hatch upward.*

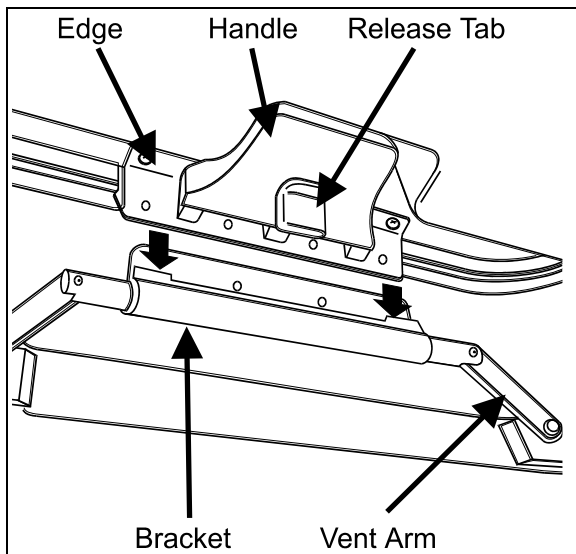


### WARNING

Be aware of reduced vehicle overhead clearance when driving under overpasses with the roof hatch open.

To latch handle after use, vent arms must be pushed upright in FULL OPEN VENT position. Insert edge between the two sections of the bracket and pull handle in to lock the hatch. Finally, pull the hatch in to closed position, one side at a time.





ROOF ESCAPE HANDLE

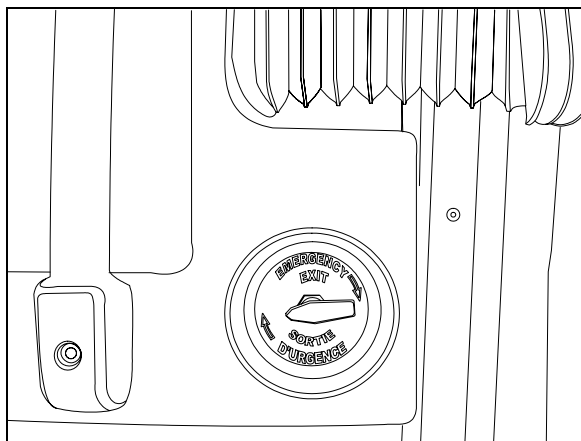
23150

**EMERGENCY ENTRANCE DOOR OPENING**

An unlatch air valve located on the front wall, close to the entrance door allows emergency depletion of the door and latching cylinders. Another unlatch valve is located in the front service compartment and allows opening the door from the outside. To open the door in an emergency situation, first turn the unlatch valve in the direction of the arrows and push (or pull) the door open. To close the door after emergency opening, return the valve to its initial position, open the door using the door cylinder, then close the door normally.

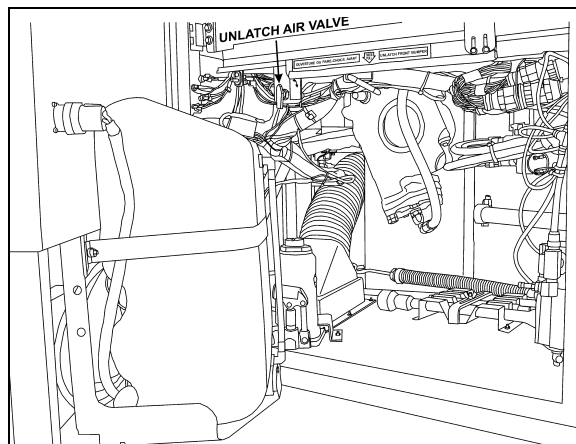
**NOTE**

*To be able to open the entrance door in an emergency situation, the entrance door must first be unlock using the key or lock lever before unlatching the door from the outside or the inside.*



INTERIOR UNLATCH AIR VALVE

12164



UNLATCH AIR VALVE LOCATION

12209

**EMERGENCY EQUIPMENT**

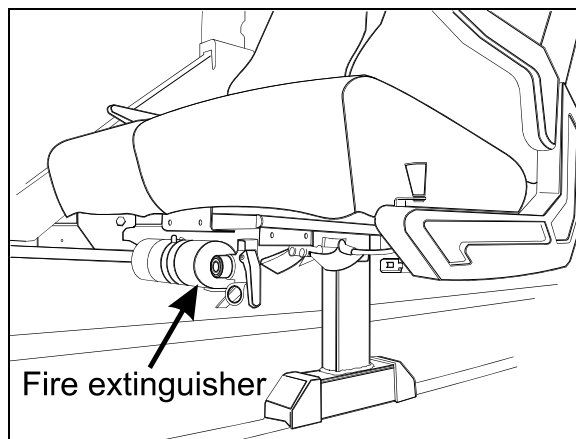
**FIRE EXTINGUISHERS**

One fire extinguisher is located under the seats in the first row on each side of the aisle. Instructions for use are found on the extinguishers.



**WARNING**

Make sure you know how to operate the fire extinguishers in case of an emergency.

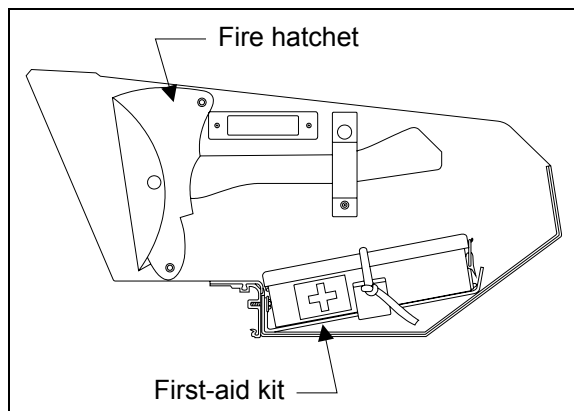


FIRE EXTINGUISHER LOCATION

23136

## 86 Safety Features and Equipment

### FIRST AID KIT



FIRST CURB-SIDE OVERHEAD COMPARTMENT 23141a

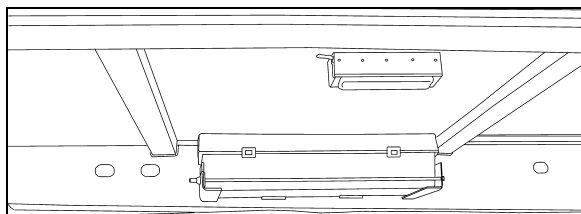
The optional first aid kit is stored in the first curb-side overhead storage compartment. A white cross over red background decal identifies the first aid kit location

### FIRE HATCHET

An optional fire hatchet may be installed in the first curb-side overhead storage compartment.

### WARNING REFLECTORS

A kit containing three triangular reflectors is provided to warn other drivers on the road in case of a breakdown. The kit is located at the ceiling of the first baggage compartment, on the R.H. side. The reflectors provide visible warning of an emergency situation. The three reflectors should be placed as indicated on the box cover. These reflectors comply with FMVSS 125 (Federal Motor Vehicle Safety Standards).

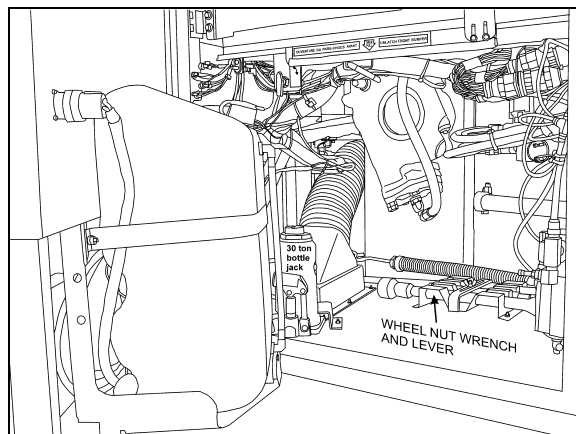


WARNING REFLECTORS LOCATION 23376

### JACK / TOOLS

A kit for jacking up the vehicle and changing wheels is stored in the front service compartment. The kit includes a:

- 30 ton bottle jack;
- Wheel nut wrench and lever.



JACK/TOOLS LOCATION

23377

### SPARE PARTS KIT

The vehicle may be equipped with a spare parts kit (optional). The kit contains parts such as bulbs, circuit breakers, belts, etc. The spare parts kit is stored in the first baggage compartment.

### “LIMP-HOME” BELT

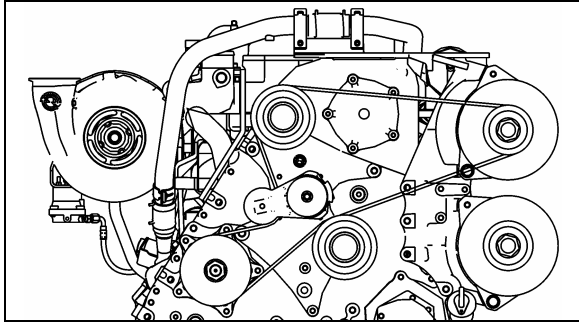
In case of lower alternator jamming, install the limp-home belt on the remaining “good” alternator. The installation of the belt allows the coach to be driven to a repair facility after only minor manipulations.

#### Lower alternator failure:

1. Raise the belt tensioner. Use a breaker bar with a  $\frac{3}{4}$  inch drive to rotate the tensioner pulley upward and relieve alternator belt tension. Remove belt;
2. Install the limp-home drive belt (#5060056) on the drive and top alternator pulleys first;
3. Install the limp-home belt on the top idler pulley;
4. Slide the belt on the lower idler pulley. Use a screwdriver or even a quarter to ease clearing the pulley lip (the lower pulley is devoid of grooves, making it easier to slide the belt in place);
5. Gently release the belt tensioner.

#### NOTE

*To prevent the batteries from discharging, the HVAC system is turned OFF when running on a single alternator.*



LIMP-HOME BELT ON TOP ALTERNATOR 01154

## SPARE WHEEL AND TIRE

The spare wheel and tire is located in a compartment behind the reclining front bumper.

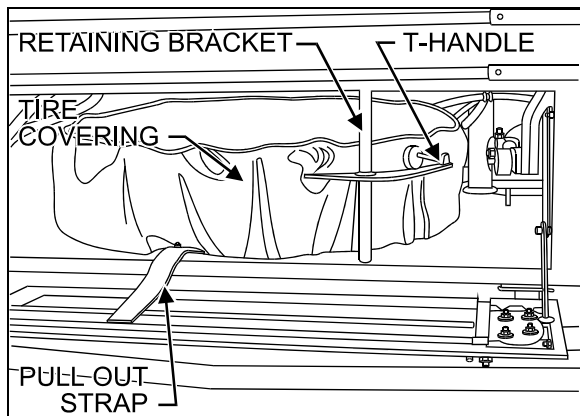
In case of a flat tire, turn ON the hazard flashers and bring the coach to a stop on the side of the road. Apply the parking brake. Make sure the coach is parked safely away from traffic. Set up the triangular reflectors in accordance with applicable highway regulations.

## CHANGING A WHEEL

To access the spare wheel, lower the front bumper. To remove the spare, untighten the pressure screw holding the tire in place, then press down on the spring loaded locking pin located at the top of the retaining bracket and remove the bracket. Using the strap, pull the spare out of the compartment (refer to the following illustrations). Rollers ease manipulation. Remove the protective cover. Install the flat tire in place of the spare by reversing the procedure.

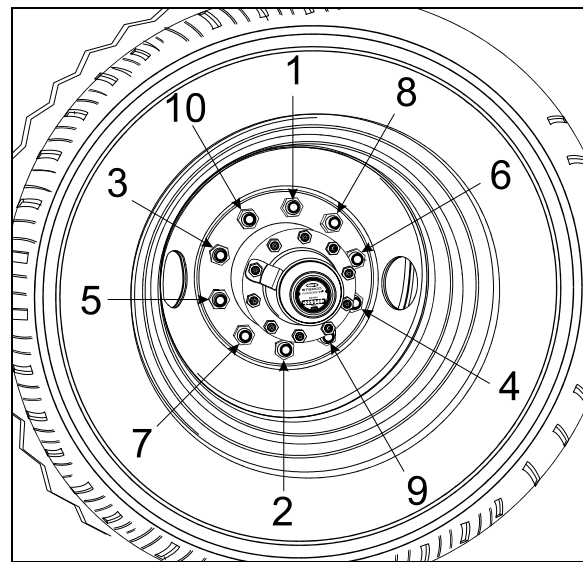
### NOTE

*Do not forget to have the flat tire repaired as soon as possible.*



SPARE WHEEL AND TIRE 18415

1. Loosen the wheel nuts about one turn;
2. Raise the vehicle by the closest jacking point (See Jacking Points in this chapter);
3. Remove the wheel nuts and remove the wheel;
4. Mount the spare wheel over the studs, being careful not to damage the stud threads;
5. Screw in the wheel nuts according to the sequence shown in the following figure and tighten slightly more and repeat the sequence a few times to position the wheel correctly. Once tightening induces wheel spin, lower the coach for final tightening;
6. Tighten the nuts progressively in the sequence shown. Final tightening should be done using a torque wrench. Dry tightening torque is 450 – 500 lbf-ft (610 – 680 Nm) for steel as well as for aluminum wheels.



TIGHTENING SEQUENCE 13018

### NOTE

*The jack and tools are located in the front service compartment.*

### NOTE

*Periodically check the spare's inflation pressure. Tire pressure should be the maximum pressure specified in the chart.*

### NOTE

*Periodically check that the spare is securely fastened in its compartment.*

## 88 Safety Features and Equipment

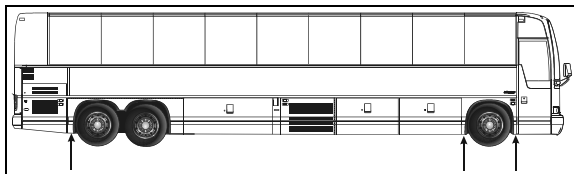


### WARNING

Before driving, be sure the flat tire, track, jack and tools are securely reinstalled in their respective compartments. Check that the bumper is securely closed shut before driving.

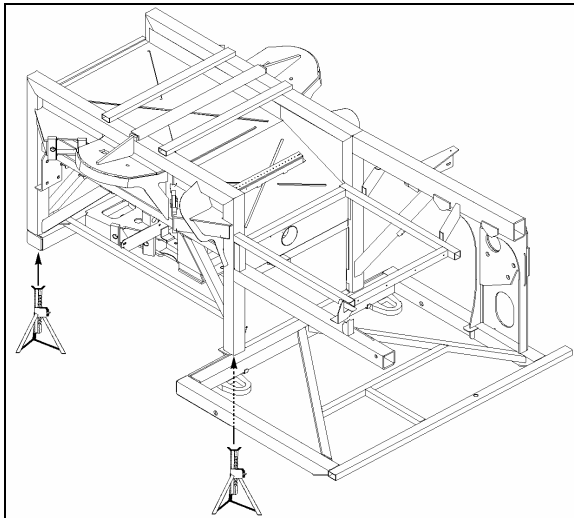
### JACKING POINTS

Twelve jacking points are located on the vehicle; three are located on each side of the frame and two are located under each axle. Refer to the following illustrations for the location of jacking points.



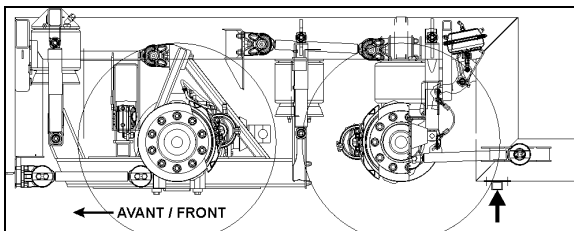
JACKING POINTS ON FRAME

18618



FRONT END JACKING POINTS

18592



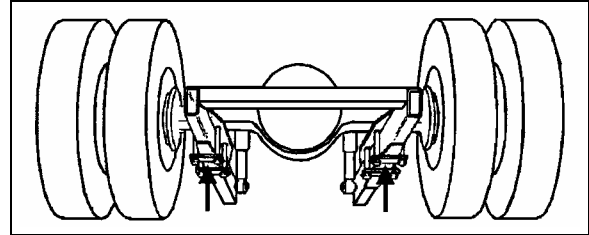
REAR END JACKING POINTS

18593



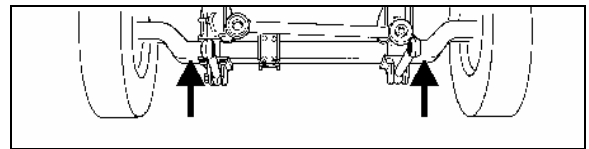
### WARNING

The suspension of the vehicle must be in the normal ride position before jacking.



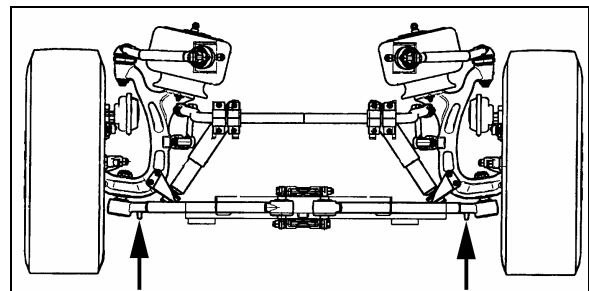
JACKING POINTS ON DRIVE AXLE

11005



JACKING POINTS ON FRONT AXLE

10005



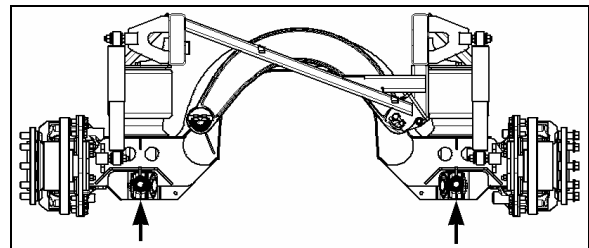
JACKING POINTS ON IND. FRONT SUSPENSION

16139



### WARNING

Always unload or retract the tag axle before jacking the vehicle from the front and drive axle jacking points to prevent damage to suspension components.



JACKING POINTS ON TAG AXLE

11029



### WARNING

The jacking points on the tag axle must be used for raising the tag axle only.

Several kinds of hydraulic jacks can be used. Only jack at the specified jacking points. Jack must support the following capacities:

Front axle: 20,000 lb (9 100 kg);

Drive axle: 40,000 lb (18 200 kg).

## HYDRAULIC JACK

**To raise:** turn release valve clockwise. Insert handle in socket and raise by pumping.

**To lower:** remove handle and turn the release valve slowly counterclockwise.

Always keep ram and extension screw retracted when jack is not in use.

**Service:** Check oil level when jack fails to raise to full height. Lower ram completely with release valve open and jack in upright position, remove filler plug and refill to level of filler hole with hydraulic jack oil. **Never use brake fluid.**



### DANGER

Jack is intended for lifting only. Do not get under the vehicle or load for any reason unless it is properly supported with safety stands and securely blocked.



### DANGER

Do not load jack above rated capacity. Prevent "side loading", make sure load is centered on ram. Do not push or tilt load off jack.

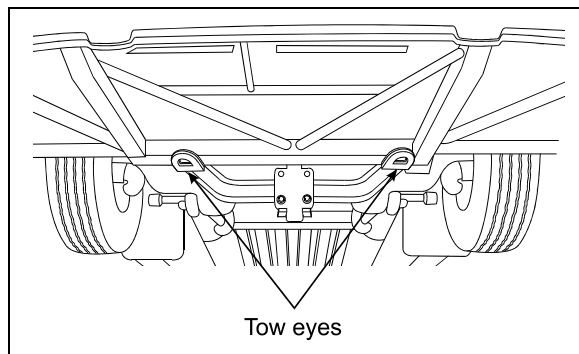
## TOWING

To prevent damage to the vehicle, use the two tow eyes fixed to the vehicle frame between the front axle and the front bumper. Use only a solid link tow bar and a safety chain to tow the vehicle. If required, connect an auxiliary air supply to the vehicle so the emergency/parking brakes don't apply while towing.



### CAUTION

To prevent damage to the vehicle structure, it is not recommended to tow the vehicle from the rear. In case of damage to the drive train components, use a low bed semi-trailer to support the rear end.



TOW EYES UNDER VEHICLE

18401



### DANGER

Do not carry passengers while the coach is being towed.



### CAUTION

To prevent damage to the drive train components, disconnect axle shafts or driveshaft before towing. Do not attempt to push or pull-start the coach.



### CAUTION

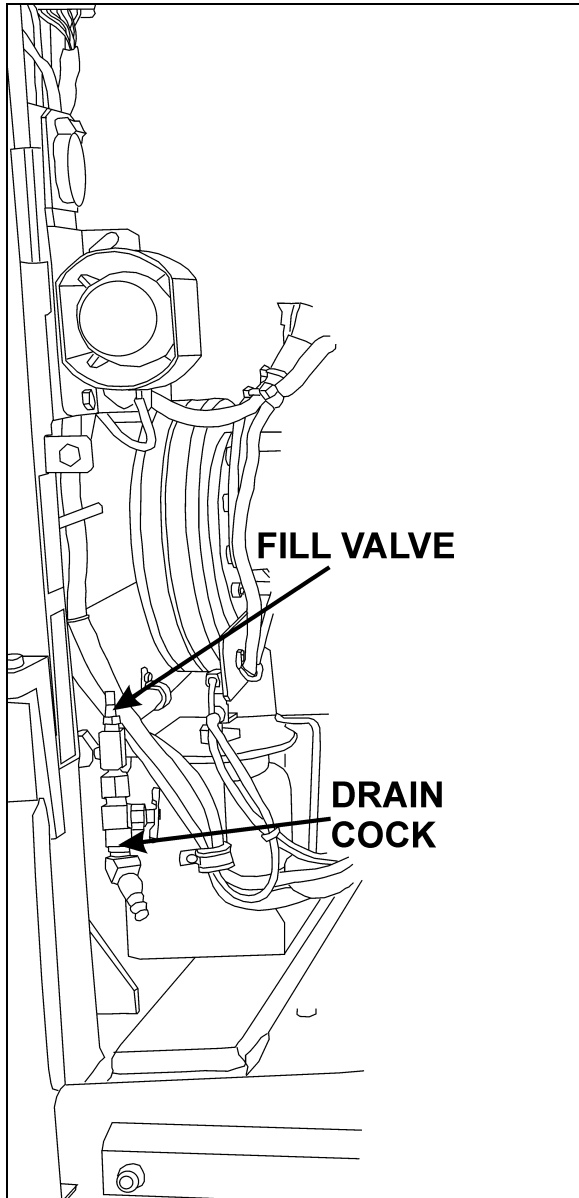
Make sure axle shafts or driveshaft are installed correctly after towing. Tighten axle shaft and driveshaft nuts to the correct torque settings. Do not invert shafts.

## EMERGENCY AIR-FILL VALVES

The vehicle is equipped with two air system emergency fill valves to supplement the air system when air pressure is low and the engine cannot be operated. One valve is located inside the front service compartment. The other valve is located inside the engine compartment.

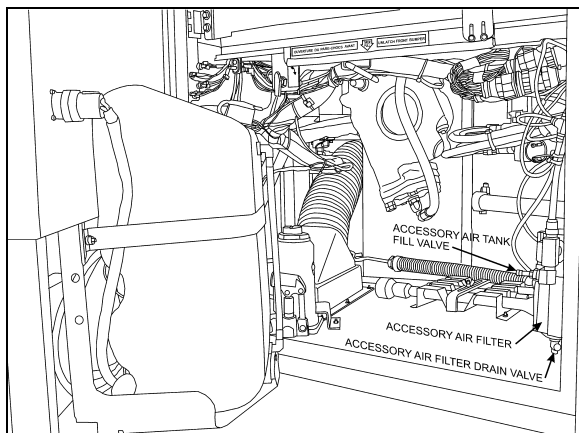
Both air system emergency fill valves are fitted with standard tire valve stems. The air systems can be filled using any standard external air supply line. The fill valve located in the engine compartment supplies air for all systems (brakes, suspension and accessories). The fill valve located in the front service compartment supplies air for accessories only.

## 90 Safety Features and Equipment



FILL VALVE IN ENGINE COMPARTMENT

12211



FRONT SERVICE COMPARTMENT

12210



### CAUTION

Air filled through the two emergency fill valves will pass through the standard air filtering-drying system. Do not fill air at any other location. Do not exceed 120 psi (827 kPa).

### EMERGENCY AND PARKING BRAKES

During normal operation, if air pressure in any brake circuit drops below 40 psi (276 kPa), spring-loaded emergency brake will be immediately applied at full capacity to the drive axle wheels to stop the vehicle.

Spring-loaded parking brake is applied by pulling up the control valve knob located on the L.H. lateral console.

Parking brake is not designed to be used as a service brake. For normal driving conditions, the control valve knob must remain in the down position.



### DANGER

Always apply the parking brake before leaving the driver's seat.

#### NOTE

Only use the parking brake to supplement the service brake to stop the vehicle in emergency conditions. The stopping distance will be considerably longer than when using normal service brake.

#### NOTE

Before releasing the parking brake by pushing down the control valve knob, check the pressure gauges to make sure that the brake system air pressure is greater than or equal to 95 psi (655 kPa).

#### NOTE

A beep will sound if the ignition switch has been turned off without applying the parking brake. The same beep will sound if pressure is still applied to the service brake pedal.

#### NOTE

The stoplights will automatically turn on when the parking brake is applied and the ignition key is turned to the ON position.

## DAYTIME RUNNING LIGHTS

The inner lamps only also called high beams illuminate automatically when the engine is started and the parking brake is released to serve as daytime running lights. The daytime running lights provide added safety by making the traveling vehicle more visible to other drivers during the day.

The daytime running lights system turns the headlights on when:

- Engine is running;
- Parking brake is released;
- The exterior lighting switch is set to the OFF position or pressed to the first position.



### WARNING

Do not drive with only the daytime running lights at night because the tail and marker lights are not turned on in that situation and the high beams can blind other drivers. For night driving, turn ON the headlights by depressing the exterior lighting rocker switch to the second position.

## FOG LIGHTS

Optional halogen fog lights are available. They provide better visibility in fog and precipitation. They improve visibility immediately in front of the vehicle. They also provide added safety.

### NOTE

*Some states or provinces may restrict the use of fog lights. Verify local state or provincial regulations before using.*

## COMPARTMENT LIGHTING

Baggage compartments and front service compartment lights are automatically turned ON when the corresponding compartment door is opened. A telltale light on the dashboard illuminates when the baggage compartment door is open.

## MUD FLAPS AND SPLASH GUARDS

Mud flaps are installed behind each front and tag axle wheel in order to minimize dirt on the lower panels of the vehicle and prevent stones and debris from being thrown at vehicles traveling behind the vehicle. Mud flaps are also installed on front of each front axle wheel to reduce water splash on rear-view mirrors. Splash guards may be installed behind each dual wheel of the drive axle to prevent stone projectiles from being thrown at the tag axle wheels.

## BACK-UP CAMERA

An optional back-up camera is available which provides the driver with visual assistance when backing-up.

The TV monitor may be mounted on the left side pillar. It switches ON automatically when the transmission is in the reverse (R) range.

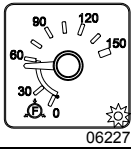
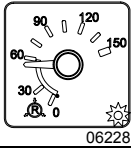
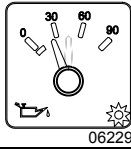
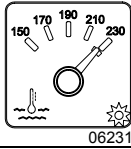


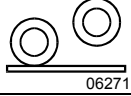
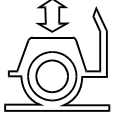
## BACK-UP ALARM

The back-up alarm alerts pedestrians and other drivers when the vehicle is being backed-up. Take extra precautions whenever backing-up. If necessary, use a guide to provide directions when backing-up. Both the alarm and optional camera are automatically activated when the transmission is put in the reverse (R) range.

## 92 Safety Features and Equipment




### AUDIBLE ALERTS

In addition to the dashboard telltale lights, the vehicle is equipped with an alert system to provide audible indications to the driver of the conditions given in the following table:

Visual Indication	Audible Alert	Condition
 06227	Yes	Air pressure in primary system below 66 psi (860 kPa)
 06228	Yes	Air pressure in secondary system below 66 psi (860 kPa)
 06229	Yes	Engine oil pressure Below 50 psi (345 kPa)
 06231	Yes	Coolant temperature above 223°F (106°C)
 06282	Yes	Gear changing inhibited
None	Yes	Reverse gear engaged
 06288	Yes	Fire in engine compartment
 06271	Yes	Tag axle retracted
 06448	Yes	Kneeling down
None	Yes	Engine OFF but parking brake not applied



## Safety Features and Equipment 93

Visual Indication	Audible Alert	Condition
<p>STOP</p>  <p>06309</p>	<p>Yes</p>	<p>Major problem detected by engine ECM</p>
 <p>06273</p>	<p>Yes</p>	<p>Outside temperature close to water freezing point</p>
 <p>06292</p>	<p>Yes</p>	<p>Transmission fluid too hot</p>
<p>DOOR AJAR</p> <p>06294</p>	<p>Yes</p>	<p>Wheelchair lift access door ajar but the parking brake is not applied</p>

## 94 Care and Maintenance

### CLEANING

The cleaning information provided in this section is regarded as recommended cleaning practices. Cleaning results may vary depending on the condition of the stain. Always clean stains promptly for best results.

#### NOTE

*Use only approved cleaning products such as Prevost A.P.C., all purpose cleaner (Prevost # 683664). Never use stain protection products on new fabrics. To prevent permanent staining of fabrics, clean stains soon after they occur. Incorrect treatment of stains can worsen them. Get help from a cleaning specialist to remove stubborn stains.*



#### CAUTION

Custom fabrics and materials may require different cleaning and maintenance practices. Consult your converter.

### SEAT UPHOLSTERY

Firmly beat the fabric with a blunt object, such as a wooden paddle, to release dust and dirt. Vacuum the seat fabric in the direction of the stitching using an upholstery nozzle.

#### NOTE

*The abrasive nature of dirt and grit will reduce upholstery life expectancy. Vacuum regularly.*

### Removal Of Stains And Marks

Depending on the nature of the stain, apply one of the two methods explained below to remove stains and marks on wool plush.

#### Method One:

1. Apply a nonflammable solvent (Trichloroethylene) to stained area with a clean, white absorbent rag;
2. Clean stain by starting at the outer edges of the stain and working in toward the center;
3. Blot affected area frequently with a clean, dry absorbent cloth to prevent stain rings caused by excess solvent.



#### WARNING

Use solvents in a well ventilated area. Open all windows and doors.

#### Method Two

1. Wet the stain with a solution of household detergent and lukewarm water. Do not soak the stain;
2. Rub the stain with a damp cloth;
3. Rinse cloth after each application.



#### CAUTION

Do not use soap, soap powder, ammonia, soda, bleach or cleaning products containing any of these compounds.

### Beverage Stains

Remove beverage stains by following method one. If stain persists, repeat method one using methylated spirits instead of solvent.

### Alcoholic Beverage Stains

Remove alcoholic beverage stains by wetting the stain with water, then cleaning following method two.

### Burns

Scrape burnt area using a knife or razor blade then clean following method two. Consult an upholstery specialist when dealing with extensive burns.

### Cosmetic Stains

Remove stains left by cosmetics by following method one then method two.

### Ink Stains

Remove ink stains following method two. If stain persists, apply a warm oxalic acid solution. Rinse with water.

### Blood, Urine Or Vomit Stains

Remove such stains by following method two.

### Copying Ink - Ball-Point Pen Ink

Treat with methylated spirits, blotting frequently to avoid spreading stain, followed by method two.

### Marking Ink (Felt-tip Pens)

Treat with Methyl-Ethyl-Ketone (MEK) followed by method two.

## Oil, Grease And Paint

Remove excess using a knife. Treat with method one followed by method two. If stain persists, repeat procedure.

## Rust Stains

Remove rust stains by following method two. Apply a warm oxalic acid solution to stained area. Rinse with water.

## Tar

Soften tar with benzene, then treat using method one followed by method two.

## Chewing Gum

Soften gum with cyclohexane. Carefully scrape off stains using a sharp knife or razor blade.

## PLASTIC AND VINYL

Clean plastic and vinyl trim using a clean damp cloth or sponge. For vinyl trim marks, use a lukewarm all purpose cleaner or a mild saddle soap. Remove water spots and soap traces using a clean damp cloth or sponge. Dry with a clean soft cloth.

Remove grease, tar or oil stains with a clean cloth or sponge and an all purpose or solvent-type vinyl cleaner.

Apply a colorless vinyl or leather protective product to maintain the luster and pliability of the plastic or vinyl surface.

## WINDOWS

Clean the inside of the windows with a solution of one part vinegar to ten parts water.

## STAINLESS STEEL

Use a stainless steel cleaner and follow the manufacturer's instructions. Stainless steel cleaning solution may be ordered from Prevost Car Inc. quoting part number 68-0356.

## FORMICA

Remove stains on Formica surfaces with a household detergent, methylated spirits or mineral turps. Clean with a mild abrasive and water solution if stain persists.

## CARPET

Vacuum carpets regularly to prolong carpet life.

## RUBBER COMPONENTS

Use only pure water or glycerin to clean stains on rubber components.



### CAUTION

Never use solvents on rubber components.

## FLOOR CLEANING

Clean vinyl floors with a quality nonionic detergent cleaner. Follow the manufacturer's recommendations for cleaning.

Remove any excess detergent solution using a wet/dry vacuum or mop. Rinse floor with a solution of one part Clorox to ten parts warm water.

Polish dry floor using a high-speed buffer and a smooth red 3-M polishing pad.

Mop floor periodically with a solution of 5 per cent Clorox in warm water.

### NOTE

*For custom or special floor covering materials, consult the manufacturer or your converter for information on how to clean and maintain these types of floors.*

## EXTERIOR SURFACES

Frequent washing and waxing of the vehicle exterior will help protect the finish and luster. The paint finish is attacked by the abrasive effects of airborne particles and corrosive pollutants.

Before washing the exterior of the vehicle, close the fresh air dampers using the "REC" button located on HVAC control panel and on the air intake duct in the evaporator compartment. Install keyhole protectors to prevent water from penetrating. Rinse vehicle with water to remove all loose dirt. Wash vehicle using a quality brand car wash soap. Follow manufacturer's recommendations for cleaning. Rinse well with water.

The vehicle exterior should be cleaned, waxed and buffed when water droplets no longer form on the painted surfaces.



### CAUTION

Hot water can damage paint. Keep water cool or lukewarm.



### CAUTION

- Make sure cleaning solutions are not harmful to painted surfaces. Read the manufacturer's instructions before using.
- Do not spray water jet directly into fresh air inlet dampers.
- Do not aim high pressure water jet at radiator doors. This could damage the radiator fins.

To prevent corrosion, remove caked-on dirt and road salt from the vehicle underbody using a high pressure water jet. Clean wheel housings, bumpers, muffler, tailpipe and brackets.

Carry out corrosion prevention cleaning at least twice a year. Spray underneath of the vehicle and let soak before cleaning. Let engine and exhaust system cool down before cleaning.

### Tar Or Oil

Remove tar or oil as soon as possible with an approved automotive tar and oil remover or turpentine. Thoroughly clean area with car wash soap and water. Let dry, then wax.

### Insects

Remove insect stains as soon as possible with lukewarm soap and water or insect remover.

### Tree Sap

Remove tree sap or bird droppings with lukewarm soap and water. Do not allow to harden.

### WINDSHIELD

To prevent windshield wiper streaking, keep silicone sprays away from windshield. Remove road film and wax build-up from windows with lukewarm soap and water or with an alcohol-based cleaning agent. If a chamois is used to dry and polish glass, use it exclusively for that purpose.

### Wiper Blades

To avoid tearing frozen wiper blades, loosen them before removing. Remove and clean wiper blades periodically with an alcohol-based cleaning solution. Clean wiper blades using a sponge or soft cloth.

## LAVATORY MAINTENANCE

Flush water in the lavatory is recirculated from the main sump tank. When the main sump tank water is too soiled to be recirculated, the driver can dump it into the optional auxiliary sump tank until a suitable dump location can be reached.

Routine draining and filling of lavatory tanks should be performed by maintenance personnel only, and should be done before parking the coach overnight in freezing temperature.

## FRESH WATER RESERVOIR

Water from the fresh water reservoir supplies the washbasin in the lavatory.



### DANGER

Do not drink water from the fresh water reservoir.

## Filling The Fresh Water Reservoir

Connect the fresh water supply hose to the fresh water reservoir fill connection located in the curb-side engine compartment. Fill the reservoir until the overflow tube leaks, signaling that the reservoir is full.



### DANGER

Never put antifreeze in fresh water reservoir; antifreeze is toxic.



### DANGER

If reservoir has not been drained for an extended period of time, draining and filling operations must be repeated three (3) times in order to clean reservoir and eliminate contaminated water.

## Draining The Fresh Water Reservoir

The fresh water reservoir can be drained by simply opening the drain cock. Don't forget to close the cock when draining is complete.

### NOTE

*The fresh water reservoir is equipped with a thermal valve which is set to open at about 35°F, thereby automatically draining the reservoir in near-freezing temperatures.*

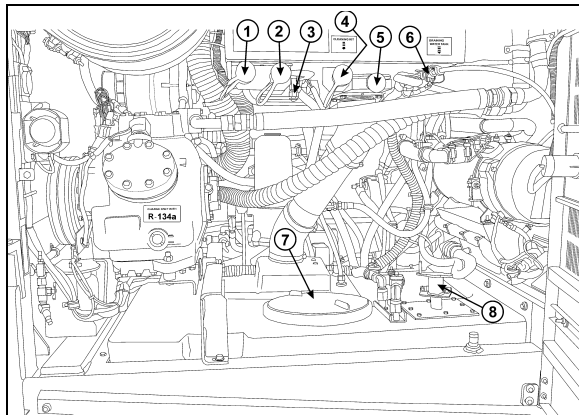
## CLEANING CABINET

A hose connection and valve is located behind a small door in the top corner of the rear lavatory wall, over the mirror. It can be used to attach a garden hose for lavatory cleaning. To use, connect a fresh water supply to the connection in the curb-side engine compartment, identified as "Cleaning Kit", located next to the fresh water reservoir fill coupling.

To prevent freezing during cold weather, drain the hose after every use.

## FILLING THE MAIN SUMP TANK

Open the main sump tank overflow cock and connect a water supply hose to the toilet sump tank fill connection. The main tank is full when water starts flowing through the clear overflow tube. Close main sump tank overflow cock when the tank is full.



ENGINE COMPARTMENT, CURB-SIDE

23378

1. Fresh water reservoir fill connector;
2. Main sump tank fill connector;
3. Main sump tank overflow cock;
4. Cleaning kit hose connector;
5. Main sump tank drain valve;
6. Fresh water reservoir drain cock;
7. Auxiliary sump tank access cap;
8. Auxiliary sump tank drain valve.

## DRAINING THE MAIN SUMP TANK

When recirculating water in the toilet is soiled, drain main sump tank. If equipped with the optional auxiliary sump tank, drain the main sump tank contents into the auxiliary tank and perform the filling procedure of the main tank.

## DRAINING THE AUXILIARY SUMP TANK

To drain the auxiliary sump tank contents, remove the cap located underneath the tank then turn the drain valve lever counterclockwise about eight or nine turns and pull the lever up. Remove the access cap and flush tank with clean water. To close, push the valve down on its seat then turn the drain valve lever several turns clockwise until the rubber bladder seals the drain hole. Reinstall both caps.



### CAUTION

Lavatory tanks should be serviced only at suitably equipped stations.

### NOTE

*It is unlawful to dump sump tank contents in any location other than those designated as such.*

When a complete tank draining is required, clean main tank by repeating the draining and filling operations while leaving the auxiliary sump tank drain valve opened. Close valves and drop in a packet of commercial toilet deodorant (Prevost part #900329) in toilet before starting final filling of the main tank.



### WARNING

The toilet deodorant contains compounds which can be very irritating to skin. Use rubber gloves when handling and then clean toilet seat.



### CAUTION

When cold weather is expected, both sump tanks must be drained if the coach is parked overnight or for an extended period of time.

### NOTE

*Due to the heat it produces, there is less risk of freezing in the tanks when the engine is operating.*

### NOTE

*New coaches are delivered with the sump and fresh water tanks empty. Fill with water before putting the coach in service.*

# 98 Care and Maintenance

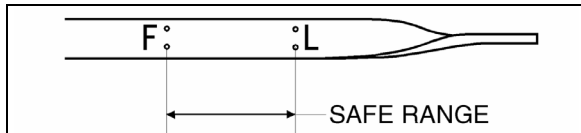
## FLUID LEVEL VERIFICATION

Periodic inspection of oil and fluids levels is the most economical and easiest way to help your vehicle perform at its best. Rigorous oil level inspection and replacement will greatly help minimize expensive and unscheduled repairs.

### ENGINE OIL LEVEL

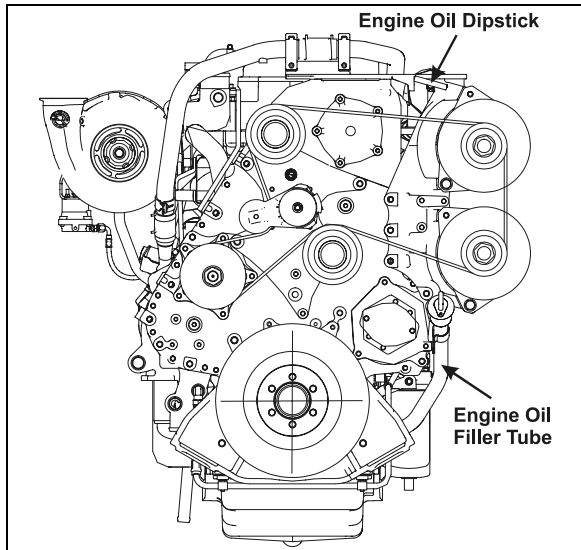
Check engine oil level when engine is still warm and with vehicle parked on a level surface. Shut *OFF* engine and wait at least 10 minutes for oil to drain into oil pan before checking. Check engine oil level daily or before each trip. Add oil as required. Do not overfill. Remove dipstick, wipe clean and fully reinsert to ensure an accurate reading. Remove dipstick and check engine oil level.

The oil level must be maintained between the two marks indicated on the dipstick. Do not let the oil level drop below the L mark. Add oil by opening the oil reserve tank drain cock or through the oil filler pipe. Use the markings on the tank to check the quantity of oil added. Close the oil reserve tank drain cock or oil filler cap after adding oil. Recheck the oil level. Do not let the oil level go above the F mark on the dipstick.



ENGINE OIL LEVEL DIPSTICK

01027



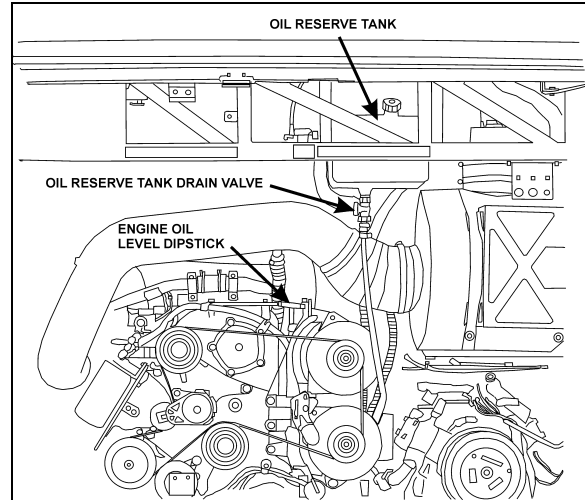
ENGINE COMPARTMENT

01151



### CAUTION

Keep engine oil level between "L" and "F" on dipstick. Do not overfill. Check when refueling.



ENGINE OIL RESERVE TANK

01167

### TRANSMISSION OIL LEVEL



### DANGER

To prevent personal injury, do not service transmission wearing loose clothing. Stand clear of the engine and rotating components while checking the oil level.



### CAUTION

Do not mix fluid types or brands because of possible incompatibility.



### CAUTION

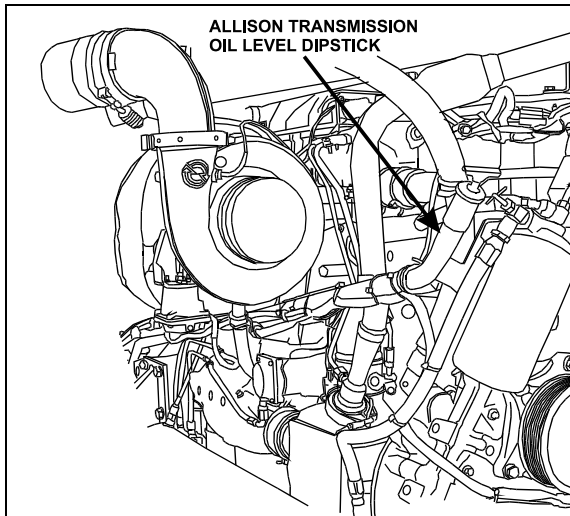
Use clean fluid and containers when filling transmission. Never use containers that have contained water or anti-freeze (Glycol).

### ALLISON AUTOMATIC TRANSMISSION OIL LEVEL

Transmission fluid level may be checked using dipstick or transmission control pad display. Refer to section "Technical Information" in this manual for how to use the control pad as a transmission oil level indicator.

The transmission fluid level dipstick is accessible through the engine compartment rear door and is located on the left side of the engine.

To check the transmission fluid level, a "cold check" and a "hot check" must be performed. A cold check must be made when the transmission fluid is between 60°F and 120°F (16°C and 50°C).



ENGINE L. H. SIDE

07113

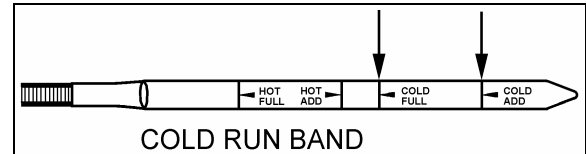
**NOTE**

*Perform the cold check first to verify the transmission fluid level before performing the hot check.*

To prevent dirt and foreign matter from entering the transmission, clean the end of the oil fill tube before removing dipstick. To remove dipstick, unscrew filler cap approximately three turns and pull out dipstick.

**Cold Check**

Run the engine until the transmission fluid temperature is between 60°F and 120°F (16°C and 50°C). With the engine idling, make sure the parking brake is applied and the transmission is in neutral (N). Remove and wipe the dipstick with a clean cloth. Check oil level. If the oil level is within the COLD RUN band, the oil level is correct and a hot check can be performed. If the oil level is on or below the lower line of the COLD RUN band, add oil until the level lies within the COLD RUN band. If the oil level is above the COLD RUN band, drain oil until the level is within the band.



TRANSMISSION FLUID LEVEL DIPSTICK (TYPICAL) 07050

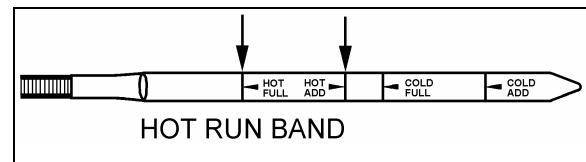


**CAUTION**

The oil level rises as oil temperature rises. Do not add oil above the "cold run" band before the transmission reaches 180°F to 220°F (82°C to 104°C).

**Hot Check**

Make sure the transmission fluid temperature is between 180°F and 220°F (82°C and 104°C) before performing the hot check. Run the engine between 1,000 and 1,200 RPM for approximately one minute to purge air from the system. With the engine idling and the parking brake applied, shift transmission from forward (D) to reverse (R) and back into neutral (N) to fill clutch cavities with oil. Remove and clean dipstick, then check oil level. If the oil level is on or under the lower HOT RUN line, add just enough oil to bring up the level to the middle of the HOT RUN band.



TRANSMISSION FLUID LEVEL DIPSTICK (TYPICAL) 07049

Replace dipstick and tighten the filler tube cap until the rubber seal is correctly seated.



**CAUTION**

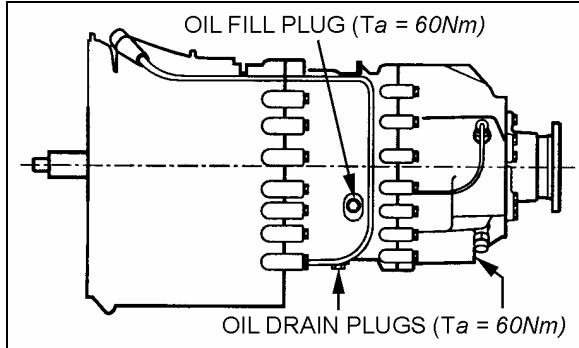
Do not overfill transmission fluid reservoir. Severe damage may result.

**ZF-ASTRONIC TRANSMISSION OIL LEVEL**

- Vehicle should be on horizontal ground when oil is changed;
- Do not check oil level straight after a journey (incorrect measurement). Undertake the check once the transmission oil has cooled down (lower than 104°F or 40 °C);
- Remove oil fill plug;

## 100 Care and Maintenance

- Add oil through the oil filling point if the oil level has fallen below the oil filling point;
- Approximately 11 liters is needed for a complete oil change;



ZF TRANSMISSION FILLING POINT

07111

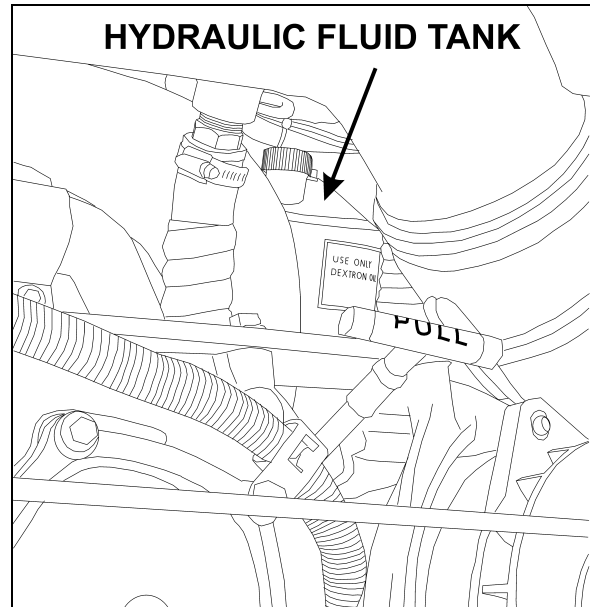
- The oil level is correct once the top of the oil has reached the bottom of the filling point or once oil has already started to escape from the filling point.

### POWER STEERING FLUID LEVEL

The coach is equipped with a power steering system. The hydraulic fluid tank is located in the engine compartment behind the engine air intake pipe and above the alternators.

Check fluid level as follows:

1. Stop engine, open engine compartment doors and place rear start switch to *OFF* position;
2. Unscrew and remove the dipstick located on top of the fluid tank and wipe with a clean rag;
3. Replace dipstick in tank, then remove to check fluid level;
4. Add hydraulic fluid until it reaches the *FULL* mark on the dipstick (use Dexron II, Dexron IIE, Dexron III or Mercon fluid type);
5. Replace and tighten dipstick;
6. Place engine rear start switch to *NORMAL* position. Close engine compartment doors.

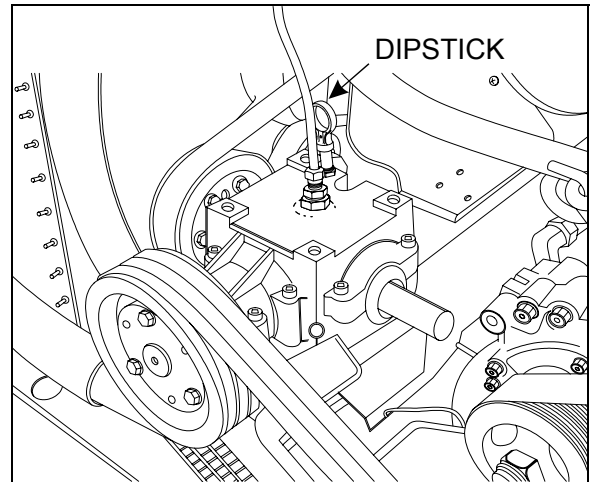


ENGINE COMPARTMENT

14059

### RADIATOR FAN GEARBOX OIL LEVEL

The radiator fan is belt-driven by the engine crankshaft pulley through a gearbox and drive shaft. A dipstick located on the top of the gearbox is used to check the radiator fan gearbox oil level.



ENGINE COMPARTMENT

05062TA

Check radiator fan gear box oil level as follows:

1. Stop engine, open engine compartment and place battery master switch to the *OFF* position;
2. Place engine starter switch to *OFF* position;
3. Remove the dipstick located on top of the gearbox and wipe with a clean rag;
4. Insert dipstick in gearbox case, then remove again to check mark;



5. If necessary, add MOBIL SHC 630 synthetic lubricant (Prevost #180217), through the plug or the oil dipstick tube, until the level reaches the "FULL" mark;
6. Reinsert the dipstick;
7. Place engine rear start switch to *NORMAL* position. Set battery master switch to *ON* position;
8. Close engine compartment doors.

## DRIVE AXLE WHEEL BEARING OIL LEVEL

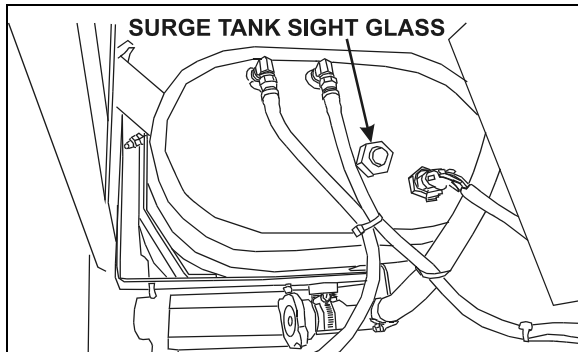
Drive axle wheel bearings are lubricated by the differential oil. Maintain differential oil at correct level to ensure adequate lubrication of drive axle wheel bearings at all times.

## FRONT AND TAG AXLE WHEEL HUBS

The unitized hub bearings used on the NDS range of axles, are non-serviceable items. Bearings are pre-adjusted, lubricated and have seals fitted as part of the manufacturing process. The bearings are greased for life and there is no need or facility for re-lubrication.

## COOLANT FLUID LEVEL

Coolant level is correct when coolant is visible through the surge tank sight glass when cold. If coolant level is low, fill system with the same 50-50 mixture normally used.



COOLANT LEVEL SIGHT GLASS

05094

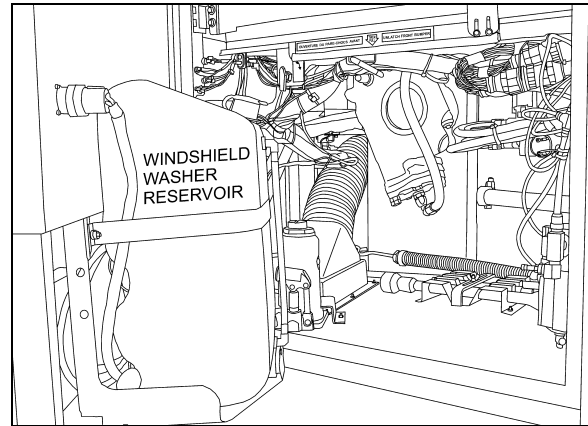


## WARNING

Hot engine coolant is under high pressure. Allow engine to cool down before adding coolant.

## WINDSHIELD WASHER & HEADLIGHTS WASHER RESERVOIRS

The windshield washer reservoir and headlights washer reservoir are located in the front service compartment door. The windshield washer reservoir has a capacity of 5.3 US gallons (20 liters) while the headlights washer reservoir has a capacity of 2.6 US gallons (10 liters). Check fluid level regularly.



WINDSHIELD WASHER RESERVOIR

18619

The windshield spray jets are located on the windshield wipers and are angled to spray towards the center of the windshield.

Adjust the headlights washer nozzles according to the instructions found in section 23 of the maintenance manual. You may use water or windshield washer fluid as well.



## CAUTION

During cold weather days, use windshield washer fluid suitable for freezing temperature only.

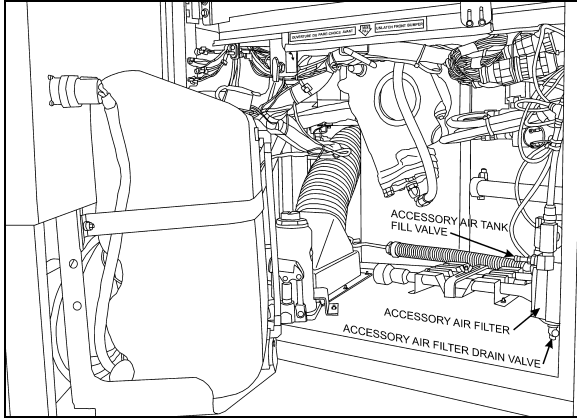
## OTHER VERIFICATIONS

It is good practice to regularly inspect the vehicle for signs of component wear and to perform safety and maintenance routines.

## AIR TANK PURGE

The vehicle may be equipped with up to six air tanks. Purge accessory and wet air tanks before each trip. The primary and secondary air tanks must be purged at every oil change. Oil changes should be scheduled at least every 12,500 miles (20 000 km).

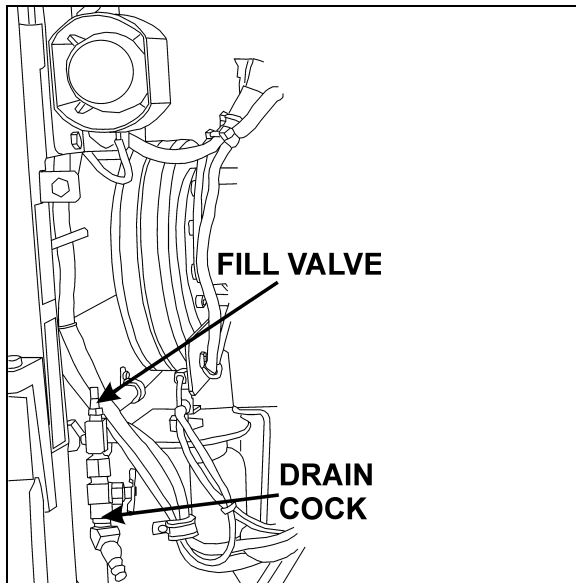
## 102 Care and Maintenance



FRONT SERVICE COMPARTMENT

12210

The accessory air tank drain cock is accessible from the front service compartment.



ENGINE COMPARTMENT R. H. SIDE

12211

The wet air tank drain cock is accessible from the engine compartment. All air tanks are equipped with a drain cock underneath the tank. Refer to the "Lubrication and Service Check Point Chart" in this chapter for tank locations.

Drain tanks by turning cocks counterclockwise.

### FIRE EXTINGUISHERS

Inspect fire extinguishers monthly to insure operation in emergency situations.

On extinguishers with a pressure gauge, the needle should be in the green or *NORMAL* range. Refill or replace extinguisher if pressure is below normal;

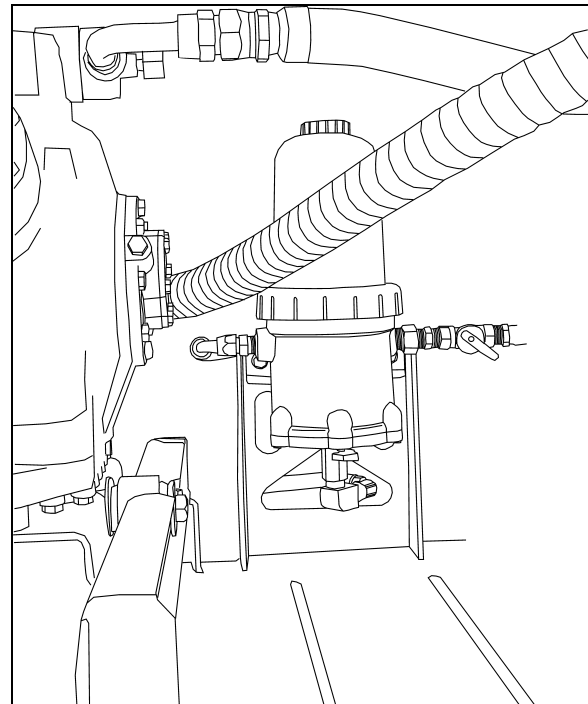
Check that seal on handle is intact;

Check that hose nozzle is in good condition and the nozzle is free of obstructions;

Keep fire extinguishers clean.

### FUEL FILTER / WATER SEPARATOR

The optional fuel filter/water separator installed in the engine compartment is used to prevent water from entering the fuel system. The water separator should be drained periodically or when the telltale light on the dashboard illuminates. To drain water, loosen the drain valve below the separator one quarter turn. Close the drain valve when finished.



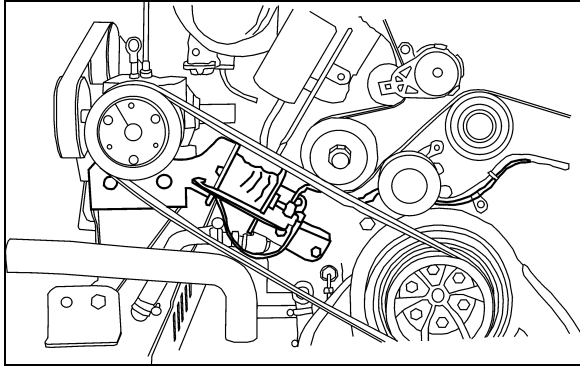
FUEL FILTER / WATER SEPARATOR

03062

### BELT TENSION ADJUSTMENT

The radiator transfer fan and air conditioning compressor are driven by V-belts.

Belt tensioning is applied through air bellows which are adjusted by an air pressure regulating valve mounted in the engine compartment, right behind the belt tensioning pressure control valve. The correct pressure of 50 psi (345 kPa) is set at the factory. Periodically verify the pressure at the regulating valve using a tire pressure gauge and correct if necessary. The distance between the stop and the plate at the top of the bellow should be approximately  $\frac{1}{4}$ " (7 mm).

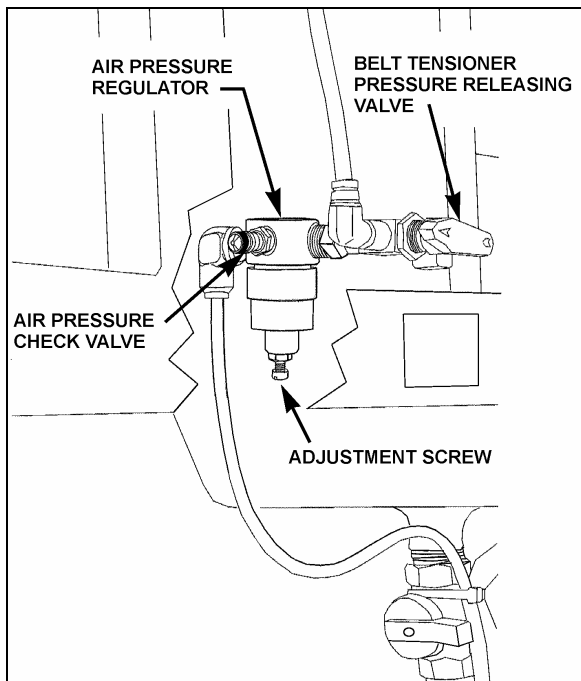


**AIR BELLOWS**

01069

For belt replacement, air pressure must be released from bellows by means of the belt tensioning pressure control valve. This valve, mounted close to the pressure regulating valve, is manually operated. Before handling, set the rear start switch to OFF and observe all applicable safety precautions.

- Refer to the Parts Manual, Maintenance Manual or "Service Bulletins" for recommended belt sizes and tension settings;
- Periodically inspect belt and pulleys for wear or damage;
- Do not treat belts with any compounds. Keep belts dry.



**PRESSURE REGULATING VALVE**

12200

## BACK-UP CAMERA

The optional back-up camera is located on the rear cap. To clean the camera's protective glass, spray with soapy water. Wipe with a clean damp rag or wiper blade.



### WARNING

To avoid injury, do not clean camera with transmission in reverse (R). Shut off engine and apply parking brake before cleaning.



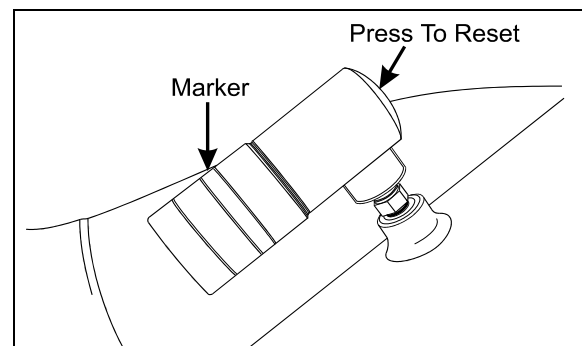
### CAUTION

To prevent scratches to the camera protective glass, do not wipe with dry rag. Use a clean damp rag.

## AIR FILTER RESTRICTION INDICATOR

A filter restriction indicator (optional) is used to monitor the vacuum level between the air filter and engine. A red marker is displayed when the air filter is clogged. When a red marker is displayed, the air filter must be replaced. Reset by pressing on the indicator's extremity.

The filter restriction indicator is located on the engine air intake duct



**RESTRICTION INDICATOR**

01052

## A/C AND HEATING SYSTEM AIR FILTERS

For maximum air conditioning and heating system efficiency, air filters should be inspected and cleaned as required in maintenance schedule to ensure proper ventilation of the evaporator and heating radiator cores. To clean filters, back flush with water, then dry with air.



### CAUTION

Do not use high pressure water jet to avoid damaging filter.

## 104 Care and Maintenance



### CAUTION

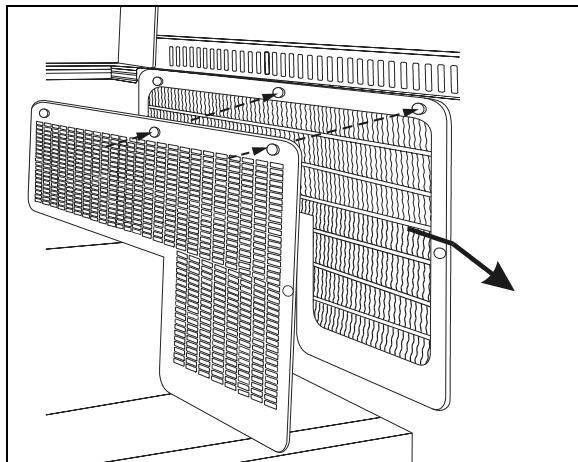
Be sure not to reverse filter upon installation.

#### DRIVER'S AREA AIR FILTERS

The driver HVAC system's air filters are located behind the R.H. console. To gain access to the A/C filters, unscrew the grill located at the top step of the entrance door steps. Remove the filters for cleaning or replacement.

#### NOTE

*If the windshield is continuously fogged, check that the driver's air filter is not clogged.*



DRIVER'S AREA AIR FILTER REMOVAL

22193

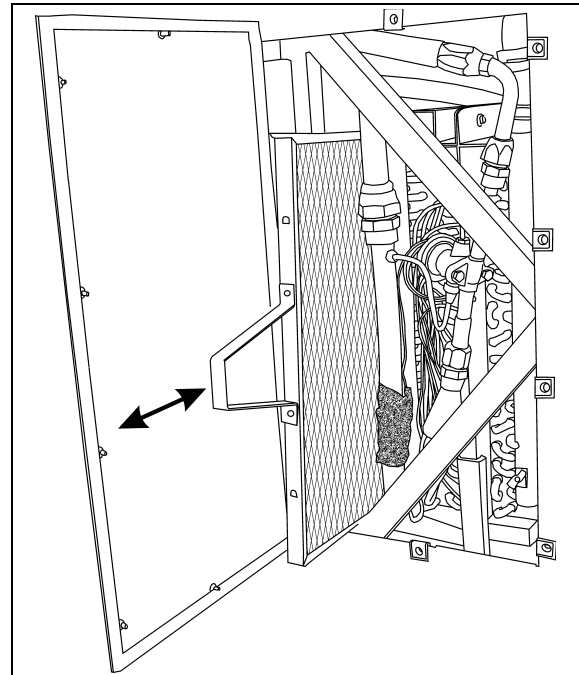
#### PASSENGERS AREA AIR FILTER

The central HVAC system's air filter is located in the evaporator compartment on driver's side of the vehicle. To access, open the baggage compartment forward of the evaporator compartment. An access door held shut by six retaining screws is located in the wall separating the baggage compartment and the evaporator compartment. Slide out the filter for maintenance purposes.



### CAUTION

Be sure not to install filter in inverted position.

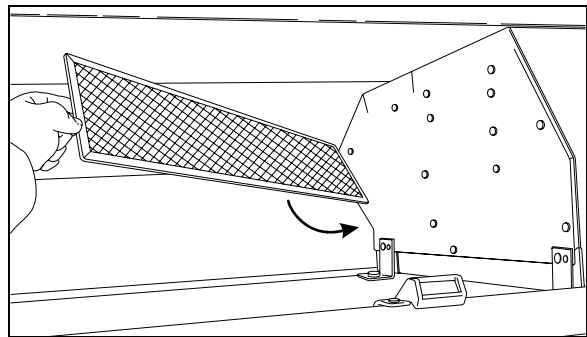


PASSENGERS AREA AIR FILTER REMOVAL

22306

#### Air Filters in the Overhead Compartments

Remove, clean or replace the air filter located behind each overhead baggage compartment fan.



OVERHEAD COMPARTMENT FAN AIR FILTER

22201

#### HOSE INSPECTION

Inspect hoses regularly to ensure efficient, economical and safe operation of the engine and related equipment.

#### LUBRICATION

Grease all lubrication points during scheduled maintenance. For heavy loads or extended use, lubricate more often. Refer to the Maintenance Manual, section 24 for information on lubrication.

## ROUTINE INSPECTION

### WITH ENGINE STOPPED:


Inspect hoses for leaks. Carefully inspect all fittings, clamps and ties. To prevent chafing, make sure hoses are not touching shafts, couplings, heated surfaces, sharp edges or other parts. Since hose clamps and ties can vibrate loose or fail over time, inspect frequently and tighten or replace as necessary.

Check for loose nuts and bolts. Visually inspect safety of compartment door latches. Test operation of all exterior lights.

### Leaks

Check for leaks under vehicle and in compartments.

Correct leaking hoses immediately. Failure to correct leaks can cause severe damage to the equipment, as well as increase operating costs due to lost fluids. Treat fuel and oil leaks as an immediate fire hazard.

	<b>DANGER</b>
Personal injury and property damage may result from fire caused by leaking flammable fluids.	

### Hose Service Life

Hoses have a limited service life. Thoroughly inspect hoses annually. Look for surface damage or indications of twisted, worn, crimped, cracked or leaking lines. Replace damaged hoses immediately.

Hoses should be replaced during major overhaul or after a maximum of five years service. Make sure replacement hoses match the original equipment manufacturer's specifications.

### Wheels And Tires

Check for loose wheel nuts. Both aluminum alloy and steel wheel nuts should be tightened to 450 to 500 lbf-ft (610 to 680 Nm) torque.

### Tire Pressure

Keep the tires inflated to the recommended inflation pressure to prolong tire life and for safety.

### NOTE

Recommended tire inflation pressures are given in the "Coach Final Record", placed in the technical publications package supplied with the vehicle. The cold tire inflation pressures are on the Department of Transport certification plate located on the L.H. console besides the driver's seat. When special tires are installed by Prevost on a new vehicle, a special tire inflation chart is added next to the certification plate.



### WARNING

Do not exceed maximum inflation pressure. Incorrect tire pressure increases tire wear and could lead to loss of driving control because of reduced road handling. Check tire pressure regularly.

### Doors

Close all exterior doors and windows. Check for good tightness and fit.

### Tools And Spares

Make sure the vehicle is equipped with a wheel nut wrench, door keys, spare belts, reflectors and jack.

### Air System

To drain water from air and accessory tanks, open drain cocks. Close drains when completed. Refer to heading "Air Tank Purge" in this chapter.

### Water Separator

To drain water separator, open drain valve. Close drain valve after draining.

### Coolant Level

Check coolant level. Coolant level is correct when visible in the filler neck of the surge tank. If coolant level is low, fill system with 50-50 coolant-water mixture. Refer to the vehicle "Maintenance Manual" for more information.

## 106 Care and Maintenance

---



### DANGER

Hot engine coolant is under pressure. Do not attempt to open the coolant filler cap when the engine is hot. Allow engine to cool before adding coolant.

### Wheel Bearings

Check wheel bearing cover for overheating (especially after brake work) during fuel stops by touching the wheel bearing cover.

### Windshield Washer Reservoir

Make sure windshield washer reservoir is full. For cold weather, use antifreeze windshield washer fluid.

### Engine Oil

Check engine oil level during fuel stops. It is normal for diesel engines to burn some oil. If the oil level is low, refer to heading "Engine Oil Level" in this chapter.



### WARNING

Check the engine oil level with vehicle parked on a level surface and with the parking brake engaged.

### Power Steering Oil Tank

Check steering oil level. Refer to heading "Power Steering Fluid Level" in this chapter.

### Belts

Check for loose, worn or broken belts.

### Belt Tension Adjustment

Check belt tension using a pressure gauge. Refer to heading "Belt Tension Adjustment" in "Other Verifications" section in this chapter.

### Fire Extinguishers

Check fire extinguishers to make sure they are ready for operation. Refer to heading "Fire Extinguishers" in "Other Verifications" section in this chapter.

### Emergency Exits

Verify emergency exits for correct operation.

### Driver's Section

Adjust driver's mirrors and seat.

### WITH ENGINE RUNNING:

#### Leaks

Walk around vehicle and listen for air leaks.

#### Turbocharger

Check for leaks and listen for unusual sounds coming from the turbocharger.

#### Allison Automatic Transmission

Check Allison automatic transmission oil level. Refer to heading "Automatic Transmission Fluid Level" in this chapter.

#### Gauges And Buzzers

Perform a telltale light test (see "Controls and Instruments" chapter). Make sure gauges are in normal operating condition. Indicator lights and buzzers should all be *OFF* before driving.

#### Fuel Level

Make sure fuel level is sufficient.

#### Service Brakes

Check for correct pressure build-up. Pressure loss should not exceed 3 psi/minute (21 kPa/minute) with engine stopped and without brake applied. Perform a full brake application. Air loss should not exceed 7 psi/minute (48 kPa/minute).

#### Brake Test

Release parking/emergency brake. Pump service brake until air pressure drops to 65 psi (448 kPa). Make sure the warning buzzer operates and that the emergency brakes apply (the control valve knob lifts up). Allow air pressure to reach 95 psi (655 kPa) before releasing parking brake.

### Parking And Emergency Brake Test

Driving the vehicle while the parking brake is applied should not be possible.

### EXTERIOR LIGHTING VERIFICATION

#### Exterior Lighting Test Mode

This useful function allows quick verification of the vehicle exterior lights.

#### Activating the test mode:

When the vehicle is stationary (parking brake applied), pull up the multi-function lever 3 times within 3 seconds to activate the test mode. This test can be done when the engine is not running providing that the battery charge is sufficient (above 24.0 volts).

The telltale panel alarm emits a sound each second to remind that the test mode is in progress.

#### Stopping the test mode:

To stop the test mode, pull up the multi-function lever once or turn the ignition OFF or remove the parking brake.

#### **IMPORTANT NOTE**

*The test mode is useful to check the functioning of the multiplex outputs and the exterior lights. It doesn't test the functionality of the commands related to the exterior lighting. For a complete testing, the directional signal commands, the headlights commands and the brake pedal have to be checked before. Once these commands tested, activate the test mode to check the exterior lighting.*

#### Using the test mode:

First, test the functionality of the commands related to the exterior lighting:

- Activate the right directional signal and check that the corresponding telltale light illuminates.
- Activate the left directional signal and check that the corresponding telltale light illuminates.

- Press on the brake pedal and check that the STOP telltale light illuminates.

Once these commands tested, activate the test mode to check the exterior lighting by pulling up the multi-function lever 3 times within 3 seconds.

Go to the front of the vehicle and check the lights:

- First the left and right directional signals.
- Identification lights and clearance lights.
- Low beams.
- High beams.

Go to the left side of the vehicle:

- Directional signals.
- Marker lights.
- Directional signals.
- Marker lights.

Go to the rear of the vehicle:

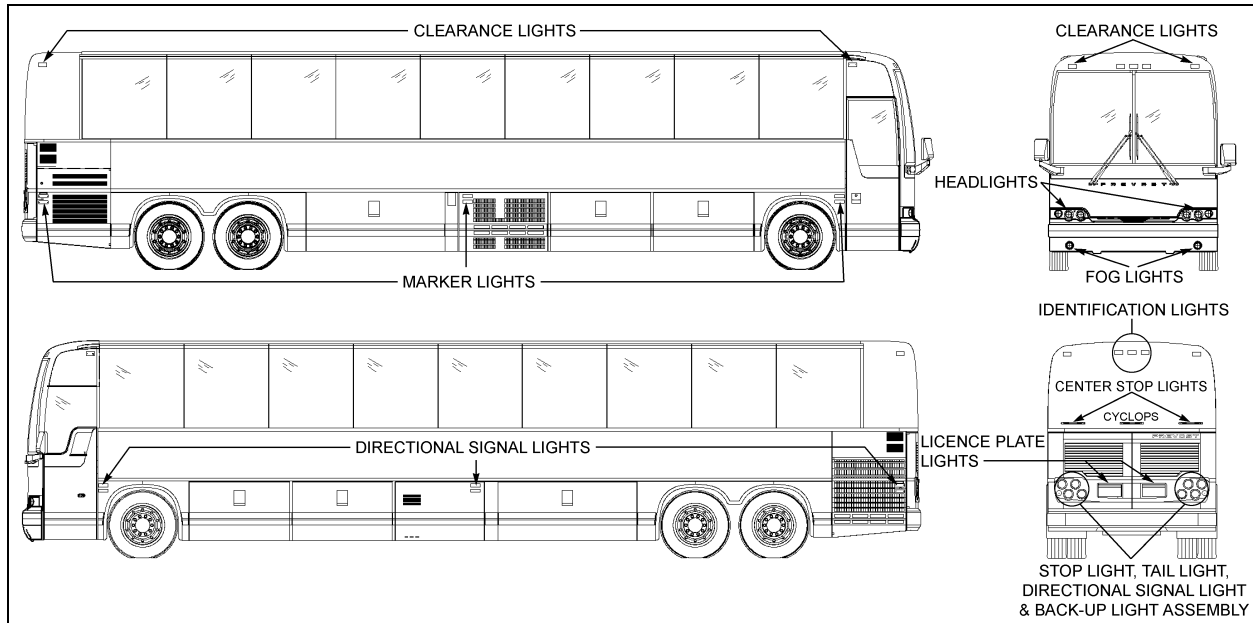
- Directional signals.
- Identification lights and clearance lights.
- Stoplights and taillights.
- Back-up lights and back-up alarm (option).

#### **IMPORTANT NOTE**

*To check the back-up lights and back-up alarm, you must flip the starter selector switch to REAR START position. (If the engine is running, do this quick enough so that the engine does not stop).*

Go to the right side of the vehicle (same sequence as left side).

## 108 Care and Maintenance



VARIOUS LIGHTS LOCATION

### FIRST SERVICE ON NEW VEHICLE

#### *NOTE*

Refer to Maintenance Manual for precise service schedule.

#### *NOTE*

If soldering has been performed on cooling system, clean strainer after 3,000 miles (5 000 km).

### ENGINE OIL

Preliminary oil change is not required since the engine has been test-run at the factory. Change oil and filter every 12,500 miles (20 000 km) or once a year, whichever comes first.

### ALLISON AUTOMATIC TRANSMISSION FLUID FILTER

Replace Allison transmission filter cartridges after the first 5,000 miles (8 000 km) and then, every 12,000 miles (19 300 km) if you use Dexron-IIE or Dexron-III. Replace filter cartridges every 50,000 miles (80 000 km) if you use TranSynd fluid.

### COOLANT SYSTEM STRAINER

The coolant system strainer is designed to recover the soldering residues trapped inside the coolant lines during their initial assembly. Clean strainer after first 3,000 miles (5 000 km) and then every 50,000 miles (80 000 km). Refer to the Maintenance Manual under section 05: Cooling System.

### GENERAL RECOMMENDATIONS

- Understand basic principles of vehicle operation;
- Always maintain the vehicle in good running condition;
- Do not drive with low fuel. If the fuel tank runs dry, the engine will not start until the air is bled from the fuel system. Refer to "Maintenance Manual" for more information;
- Allow engine to run for at least two minutes at normal idle before shutting **OFF**;
- Engine should be at idle when shifting from neutral (N) to forward (D) or from neutral (N) to reverse (R);
- The automatic transmission does not have a park (P) position. Place transmission in neutral (N) position and apply parking brake when the vehicle is stopped. A warning buzzer will sound if the engine is stopped and the parking brake has not been applied when foot pressure is removed from the brake pedal;
- Always follow the procedures described in this manual;



- Unless stated otherwise, shut **OFF** the engine before performing all servicing, lubrication and maintenance tasks;
- Do not attempt to push or pull-start the coach;
- The vehicle may be damaged if towed with the axle shafts or driveshaft connected;
- Two chemical fire extinguishers are under the first row of passenger seats. In case of fire, immediately evacuate all occupants. Occupant safety is the first priority. Do not

attempt to extinguish the fire if there is immediate danger or risk for personal injury;

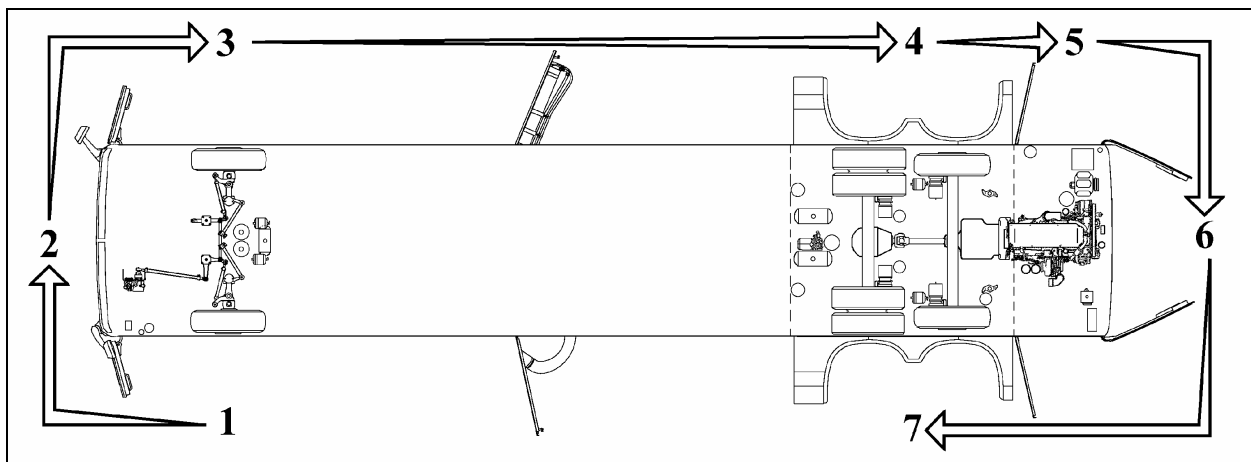
- When driving on ice and snow, accelerate and decelerate gradually;



### WARNING

Report all problems affecting passenger or driver safety to a Prevest service center or an authorized service center. Have problems corrected immediately.

### WALK-AROUND INSPECTION (BEFORE EVERY TRIP)



#### NOTE

Inspect the coach in a circular manner as shown in the illustration.

#### Approaching the Coach

- Check under the coach for oil, fuel, coolant leaks or other signs of damage.
- Check exterior body surfaces for signs of breaks or damage.
- Check that baggage and service compartment doors are properly closed.

#### Preparation

- Drain accumulated water from accessory and wet air tanks.
- Close air tank drain valves.
- Start the engine and let the air pressure build up to normal. Stop engine.
- Switch on hazard warning flashers.
- Make sure parking brakes are applied.

#### Step 1: Front Left Side of the Coach

- Check condition of wheel rim. Especially look for cracks, missing nuts, bent or broken studs.
- Check condition of tire: properly inflated, no serious cuts, bulges, tread wear or any signs of misalignment; valve stem not touching wheel or rim; valve cap in place.
- Check windshield and headlights washer reservoir fluid level and add if necessary.

#### Step 2: Front of the Coach

- Check for damage and clean if dirty.
- Check windshield wiper arms for proper spring tension.

## 110 Care and Maintenance

---

- Check wiper blades for any damage, “dead” rubber and attachment to arm.
- Check clearance and identification lights, they should be clean, operating and of the proper color. Refer to “Exterior Lighting Verification” in Care and Maintenance chapter.
- Turn on headlights. High and low beams should be operating and lenses clean. If equipped, check fog lights. Refer to “Exterior Lighting Verification” in Care and Maintenance chapter.
- Left and right front turn signal lights clean, operating and proper color. Refer to “Exterior Lighting Verification” in Care and Maintenance chapter.

### Step 3: Front Right Side of the Coach

- Check condition of wheel rim. Especially look for cracks, missing nuts, bent or broken studs.
- Check condition of tire: properly inflated, no serious cuts, bulges, tread wear or any signs of misalignment; valve stem not touching wheel or rim; valve cap in place.

### Step 4: Rear Right Side of the Coach

- Check condition of wheels and rims. Especially look for cracks, missing nuts, bent or broken studs.
- Check condition of tires: properly inflated, no serious cuts, bulges, tread wear or any signs of misalignment; valve stems not touching wheels or rims; valve caps in place and no objects stuck between the wheels.

### Step 5: Engine Compartment Right Side Area

- Check engine and surrounding areas for coolant, oil and fuel leaks.
- Check fuel/filter water separator and drain if necessary. Check for leaks.
- If so equipped, check coolant heater system for fuel leaks.
- Check wiring harness for signs of damage.

### Step 6: Engine Compartment

- Check engine and surrounding areas for coolant, oil and fuel leaks.
- Check wiring harness for signs of damage.
- Check condition of drive belts.
- Check engine crankcase oil level, add if necessary.
- Check Allison transmission fluid level (can also be checked from push-button shift selector), add if necessary.
- Check power steering reservoir fluid level, add if necessary.
- Check coolant surge tank fluid level, add if necessary.
- Check air cleaner restriction indicator, replace air cleaner when red signal locks in full view.
- Check stop light, tail light, directional signal light and back-up light assembly; operating, clean and proper color. Refer to “Exterior Lighting Verification” in Care and Maintenance chapter.

### Step 7: Rear Left Side of the Coach

- Check condition of wheels and rims. Especially look for cracks, missing nuts, bent or broken studs.
- Check condition of tires: properly inflated, no serious cuts, bulges, tread wear or any signs of misalignment; valve stems not touching wheels or rims; valve caps in place and no objects stuck between the wheels.

### Inside the Coach

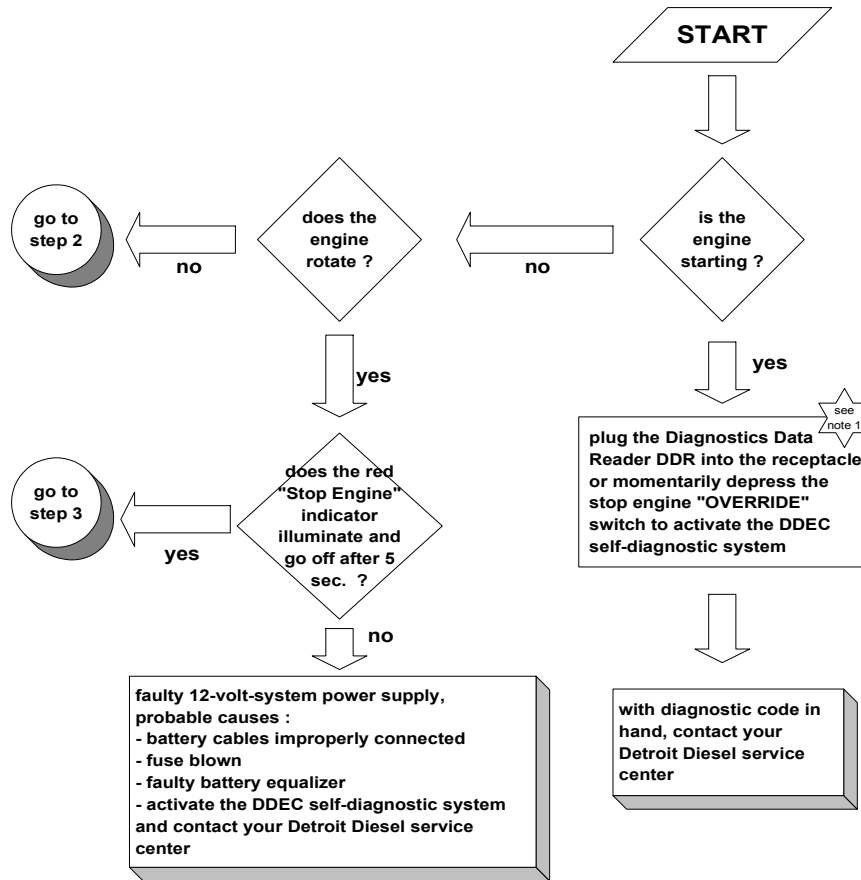
- Check for proper operation of the entrance door.
- Check steps; clean them if there is any substance that makes them slippery, which makes coach entry/exit hazardous.
- Check that emergency exit windows and roof escape hatches can be opened then close all windows and hatches securely.

- Verify proper operation of windshield wiper/ washer.
- Adjust and clean mirrors for adequate rear view vision.
- Start engine and check for proper operation of all gauges and indicator lights.
- Check for proper operation of electric and air horns and back-up alarm.

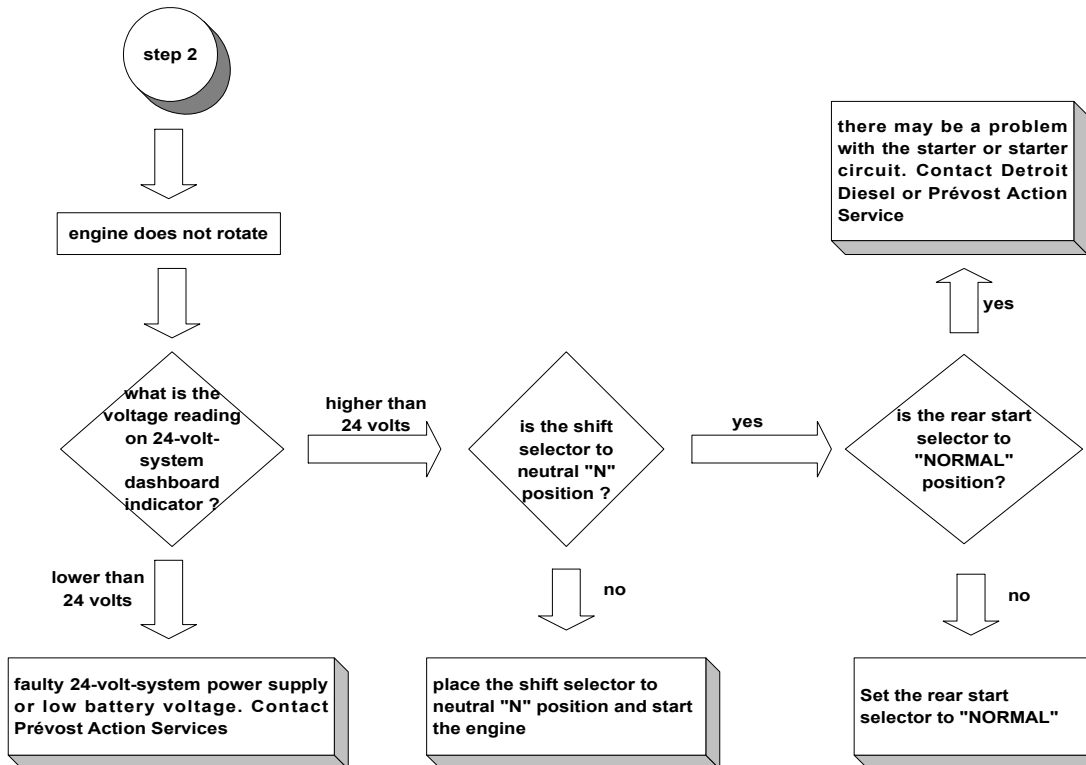
Perform a brake test. Check both primary and secondary pressure gauges.

# 112 Care and Maintenance

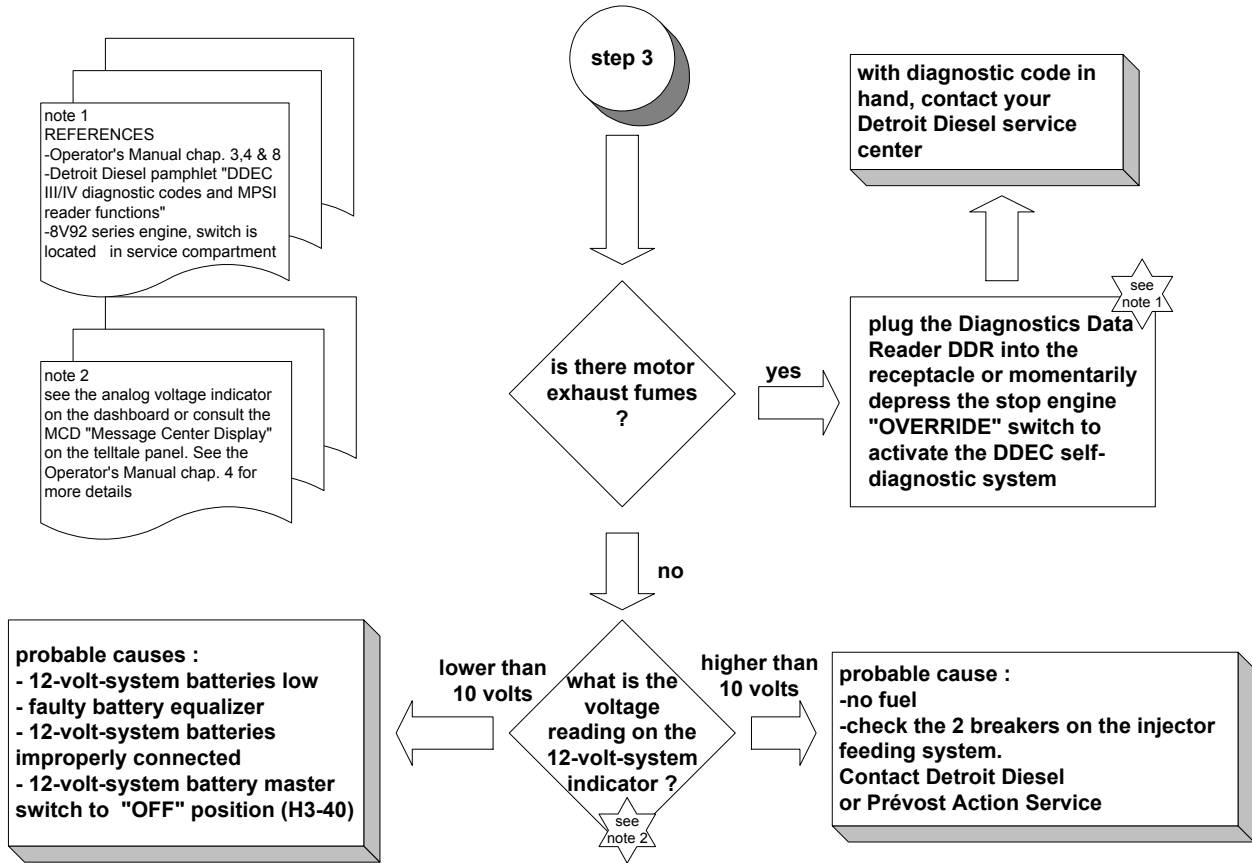
## ENGINE TROUBLESHOOTING GUIDE



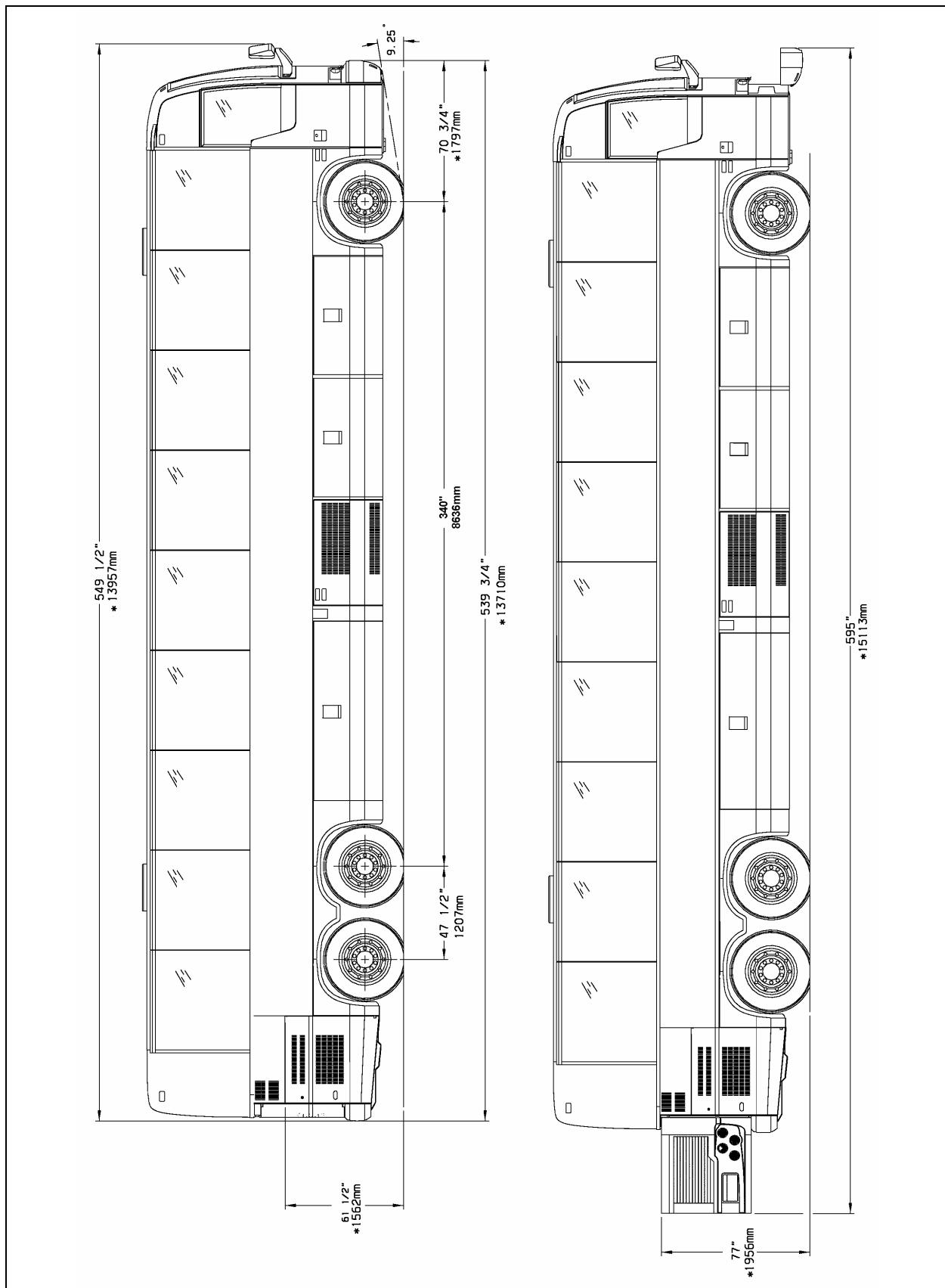
01089



01089



# 114 Technical Information



X3-45 OVERALL DIMENSIONS (SIDE ELEVATION)



## 116 Technical Information

DIMENSIONS AND WEIGHTS	X3-45
Overall length (including bumpers)	45' (13,7 m)
Overall width	102" (2,59 m)
Overall height	134 3/8" (3,413 m)
Wheelbase (center of front axle to center of drive axle)	340" (8,64 m)
Floor height from ground	48 1/2" (1,23 m)
Ground clearance	11" (280 mm)
Step height from ground	15" (380 mm)
Step height (other steps)	7" (178 mm)
Headroom	80" (2,03 m)
Entrance door opening width	30" (762 mm)
Front overhang	70 3/4" (1,80 m)
Rear overhang	107 1/2" (2,73 m)
Front track	85.9" (2,18 m)
Drive track	76.7" (1,95 m)
Rear track (Tag axle)	83.6" (2,12 m)
Turning circle radius (I-Beam Axle)	45'-7" (13.9 m)
Turning circle radius (independent suspension)	42'-2" (13.3 m)
Curb weight	N/A
Gross Vehicle Weight Rating (G.V.W.R.)	48,900 lb (22 200 kg)
Front axle Gross Axle Weight Rating (G.A.W.R.)	16,500 lb (7 500 kg)
Drive axle (G.A.W.R.)	20,400 lb (9 275 kg)
Tag axle (G.A.W.R.)	12,000 lb (5 450 kg)

The Gross Vehicle Weight Rating (G.V.W.R.) and the Gross Axle Weight Rating (G.A.W.R.) for front, drive and tag axles are listed on a certification plate located on the L.H. control panel in driver's section.

CAPACITIES	X3-45
Engine oil (in crankcase)	37 U.S. qts (35 l)
Engine oil (in reserve tank)	8.4 U.S. qts (8,0 l)
Fuel tank (legal capacity equal to 95% of volume)	208 U.S. gal. (787 l)
Cooling system	18.7 U.S. gal. (71 l)

CAPACITIES	X3-45
Allison Automatic Transmission (does not include external circuit)	6 U.S. gallons (23 l) 6.9 U.S. gallons (26 l) with retarder
ZF-Astronic Automatic Transmission	3 U.S. gallons (11 l)
Differential oil	20 U.S. qts (18,7 l)
Power steering reservoir	4.0 U.S. qts (3,8 l)
A/C compressor oil	4.5 U.S. qts (4,3 l)
Windshield washer reservoir	5.3 U.S. gal. (20 l)
Refrigerant	24.1 lb (11 kg)

### FUEL TYPE

ASTM specification ..... D-975  
 Recommended grade ..... 1-D  
 Acceptable grade ..... 2-D

### WHEELS AND TIRES

Steel wheels ..... 9" X 22 1/2"  
 Aluminum forged wheels ..... 9" X 22 1/2"  
 Except inner drive axle (steel) ..... 8 1/4" X 22 1/2"  
 Tires ..... 315/80 R 22 1/2"

### RECOMMENDED TIRE INFLATION PRESSURE AT MAXIMUM COLD LOAD

The recommended tire inflation pressures are given in the applicable documents supplied with the vehicle. In addition, maximum cold tire inflation pressures are listed on the Department of Transport (DOT) certification plate, affixed on the left wall near the driver's seat.



### CAUTION

These tire pressures are established in accordance with the maximum allowable load on each axle. A lower pressure is recommended if the axle load is less than the above specifications. Weigh vehicle fully loaded and pressurize according to tire manufacturer's recommendations. For non standard tire and wheel specifications, see Prevost tire pressure tabulation in "Coach Final Record" or special specification chart affixed next to the DOT certification plate.



### WARNING

Special tire selection may lower maximum allowable speed limit, even below posted speed limit. For maximum safety, check with tire manufacturer.



**BELTS**

Use	Make	Model	Qty
Radiator fan drive (transfer)	Dayco	AX-71	3
Radiator fan drive (fan)	Dayco	Poly-V 10/55	1
A/C system compressor	Gates	BX-100	2
Alternator 2 x 28V, 140 Amps.	Detroit Diesel	Poly-V 10/2232	1
Alternator, 1x "limp-home"	Detroit Diesel	Poly-V 10/2000	1

**ENGINE**

Power is provided by a Detroit Diesel DDEC V Series 60 engine, displacing 12.7 liters. The engine is an inline six cylinder, four stroke, turbocharged, air to air charge cooled, diesel engine with an overhead camshaft and four valves per cylinder.

Rated H.P. (BASIC) .....380 HP @ 1,800 rpm  
 Rated H.P. (STD) .... 435 - 445 HP @ 1,800 rpm  
 Peak torque ..... 1,450 lbf-ft @ 1,200 rpm  
 Operating range ..... 1,200 – 2,100 rpm

**TRANSMISSION**

**ALLISON TRANSMISSION**

Allison B500 (B500R with the optional output retarder) electronically controlled six speed automatic transmission.

**Gear Ratios**

1<sup>st</sup> .....3.510  
 2<sup>nd</sup> .....1.906  
 3<sup>rd</sup> .....1.429  
 4<sup>th</sup> .....1.000  
 5<sup>th</sup> .....0.737  
 6<sup>th</sup> .....0.639  
 Reverse .....4.801  
 Converter .....1.578  
 Differential ratio .....4.30  
 Differential ratio (optional) .....4.10  
 Differential ratio (optional) .....4.56  
 Differential ratio (optional) .....4.88

**ZF-ASTRONIC TRANSMISSION**

Electronically controlled ten speed automatic transmission.

**Gear Ratios**

1<sup>st</sup> .....7.44  
 2<sup>nd</sup> .....5.78  
 3<sup>rd</sup> .....4.57  
 4<sup>th</sup> .....3.55  
 5<sup>th</sup> .....2.70  
 6<sup>th</sup> .....2.10  
 7<sup>th</sup> .....1.63  
 8<sup>th</sup> .....1.27  
 9<sup>th</sup> .....1.00  
 10<sup>th</sup> .....0.78  
 Reverse .....11.41  
 Differential ratio .....3.73  
 Differential ratio (optional) .....3.42  
 Differential ratio (optional) .....3.58

**BRAKES**

The features of the braking system include a dual system where the front and rear circuits are completely independent from each other. The brakes are air operated disc type brakes with automatic slack adjusters on front, drive and tag axles. The emergency/parking brakes are located on the drive and tag axles only.

**BRAKE CHAMBER EFFECTIVE AREA**

Front axle .....24 in<sup>2</sup>  
 Drive axle .....24/24 in<sup>2</sup> (service / emergency)  
 Tag axle .....14/16 in<sup>2</sup> (service / emergency)

**AIR SYSTEM**

Compressed air is provided by a 15.8 cfm Bendix-Westinghouse BA-921 one cylinder, gear-driven, water-cooled and engine oil lubricated air compressor.

Other features and components of the air system include an air dryer and nylon color-coded air lines.

**ANTILOCK BRAKING SYSTEM (ABS)**

The antilock braking system has one Electronic Control Unit (ECU) controlling a four channel system. A wheel slip sensor is mounted at each front axle and drive axle wheel. The Tag axle wheels are slave to the drive axle wheels.

The Electronic Control Module (ECM) is maintenance free. Its operating voltage is 24 ± 6 volts DC. The thermal operating range for the ECM is from -40 to 167°F (-40 to 75°C).

## 118 Technical Information

The solenoid control valves are maintenance free. Their operating voltage is 24 (+4.8, -2.4) volts DC. The rated current draw is 1.65 amps. The thermal operating range of the solenoid control valves is from -40 to 176°F (-40 to 80°C).

### TROUBLESHOOTING AND TESTING

For troubleshooting and testing of the vehicle's anti-lock braking system, refer to Meritor WABCO Maintenance Manual: "Anti-Lock Brake Systems For Trucks, Tractors and Buses" or use dashboard Message Center Display (MCD) Diagnostic Mode under ECU Diagnostic: "ABS".

### STEERING

- Tilt steering wheel and telescopic steering column;
- Integral hydraulic assisted steering gear;
- System pressure: 2175 psi (150 bars).

### ELECTRICAL SYSTEM

- 24 volt, negative ground;
- 12 volt exterior lighting;
- Twin 28 volt, 140 amp, self-regulated, belt-driven, air-cooled Bosch alternators;
- Four 12 volt, group 31 format maintenance-free batteries connected in series/parallel. Cold cranking capacity is 1900 amps with a reserve capacity of 195 minutes;
- 100 amp battery equalizer.

### SUSPENSION

Goodyear rolling lobe type air springs (bellows) are used throughout.

#### I-BEAM AXLE FRONT SUSPENSION

- 2 Bellows (12");
- 2 Shock absorbers;
- 4 Radius rods;
- 1 Transverse radius rod;
- 1 Height control valve.

#### INDEPENDENT FRONT SUSPENSION

- 2 Bellows (14.5") for a G.A.W.R. of 16,500 lb;
- 2 Shock absorbers;
- 2 Upper A-arms;
- 2 Lower A-arms;
- 2 Torque rods;
- 2 Steering Levers;
- 1 Height control valve;
- 1 sway bar (1¾" diameter).

### DRIVE AXLE

- 4 Bellows (11");
- 4 Shock absorbers;
- 3 Radius rods;
- 1 Panhard rod;
- 2 Height control valves.

### TAG AXLE

- 2 Bellows (11");
- 2 Shock absorbers;
- 3 Radius rods;
- 1 Panhard rod.

### ALIGNMENT SPECIFICATIONS

Use wheel alignment systems which work with angle measurements only, such as Josam or Hunter systems. Alignment specifications are listed in the following tables:

I-BEAM AXLE FRONT SUSPENSION			
	Minimum value	Nominal value	Maximum value
Right camber (degrees)	-0.250	0.125	0.375
Left camber (degrees)	-0.250	0.125	0.375
Right caster (degrees)	2.0	2.75	3.5
Left caster (degrees)	2.0	2.75	3.5
Total toe-in (degrees)	0.08	0.13	0.17

FRONT AXLE (INDEPENDENT SUSPENSION)			
	Minimum value	Nominal value	Maximum value
Right camber (degrees)	0.0	0.150	0.35
Left camber (degrees)	0.0	0.150	0.35
Right caster (degrees)	2.35	2.6	2.85
Left caster (degrees)	2.35	2.6	2.85
Total toe-in (degrees)	0.08	0.13	0.17

DRIVE AXLE			
	Minimum value	Nominal value	Maximum value
Thrust angle (degrees)	-0.04	0	0.04

TAG AXLE			
	Minimum value	Nominal value	Maximum value
Parallelism (degrees)	-0.02	0	0.02
(*) Use the drive axle as reference			

## HEATING AND AIR CONDITIONING

Two air conditioning systems are available: the large capacity (central) A/C and an optional auxiliary A/C. The large capacity A/C provides adequate capacity of conditioned and filtered air for all climatic conditions. Fresh air is drawn into the system from the left (driver's) side of the vehicle. Return air is taken from the middle of the vehicle. The driver's heater and defogger are controlled separately from the central unit. An air mixture selector enables air to be drawn into the system from outside the vehicle or recirculated. The optional auxiliary A/C is used to cool air delivered from registers in the passenger overhead compartments.

AUXILIARY A/C	
Air conditioning capacity	2 tons
Refrigerant type	134a
Air flow	450 cfm (12,7 m <sup>3</sup> /min)

COMPRESSOR (for auxiliary A/C)	
Number of cylinders	6
Operating speed	700 to 6 000 rpm
Oil capacity	6 U.S. oz. (0,18 l)
Approved oil	ZXL100PG

CENTRAL A/C	
Air conditioning capacity	7.5 tons
Refrigerant type	134a
Heating capacity	152 000 Btu/h
Air flow	2 600 cfm (73,6 m <sup>3</sup> /min)

COMPRESSOR (for central A/C)	
Number of cylinders	6
Operating speed	400 to 2 200 rpm (2,600 rpm, intermittent)
Minimum speed for lubrication	400 rpm
Oil capacity	4.5 U.S. qts (4,3 l)
Approved oil	Castrol SW-68 (POE)

### NOTE

*The above oils are suitable for use with reciprocating compressors using refrigerant R-134a and with evaporator temperatures above -40°F (-40°C).*

## OIL SPECIFICATIONS

### ENGINE

Heavy-duty engine oil SAE 15W-40 meeting API classification CI-4 and military specification MIL-L-2104E.

### ALLISON TRANSMISSION

The Allison transmission is factory filled with *Castrol TranSynd* automatic transmission fluid. It can also be filled with *Dexron III/VI* or any equivalent Class C4 hydraulic fluid.

### ZF-ASTRONIC AUTOMATIC TRANSMISSION

The ZF-Astronic transmission must be filled with Castrol Syntrans grade 75W-85 oil.

### DIFFERENTIAL

Multigrade gear oil meeting MIL-L-2105-D: 85W/140 is recommended for use in drive axle. This lubricant performs well over a broad temperature range, providing good gear and bearing protection in a variety of climates. If temperature drops below 10°F (-12°C), 80W90 should be used, and below -15°F (-26°C), 75W90 should be used. In extreme conditions or for better performance, full synthetic gear oil should be used.

### FAN GEARBOX

Only Mobil SHC 630 synthetic oil (Prevost #180217) is recommended for the fan gearbox.

## 120 Technical Information

---

### POWER STEERING RESERVOIR

Use Dexron III/VI automatic transmission fluid for this system.

### PRE-HEATING SYSTEM

Depending on options chosen, a coolant heater may be installed on the coolant circuit. The heater can be used as a pre-heater or as an auxiliary heat source.

Only the Webasto 104,000 Btu preheater is available. The heater is controlled by a programmable timer. See Other Features chapter for information on how to use the timer.

WEBASTO		
Model		Thermo 300
Heating output		104,000 Btu/hr (30 kW)
Fuel type		Same as engine
Fuel consumption		4.8 US qts/hr (4.5 l/hr)
Rated voltage		24 V DC
Operating voltage		20-28 V DC
Electric power consumption without water pump		110 watts
Dimensions	(L)	24.01 (610 mm)
Inch (mm)	(W)	9.69 (246 mm)
	(H)	8.66 (220 mm)
Weight	lb (kg)	41.88 (19)

## DDEC V DIAGNOSTIC CODES

To read the diagnostic codes, a Diagnostic Data Reader should be plugged into the receptacle located on the lower side panel of the L.H. control panel. To read diagnostic codes as blink codes, momentarily depress the STOP ENGINE OVERRIDE switch while the ignition is ON, the engine is idling or shut off. Active codes will be flashed on the STOP ENGINE indicator light followed by the inactive codes being flashed on the CHECK ENGINE indicator light. The cycle is repeated until the operator depresses the STOP ENGINE OVERRIDE switch again. For example: code "43" consists of four flashes, followed by a short pause, then another three flashes in quick succession. The following table is a list of the DDEC diagnostic codes.

DDEC V Code	PID	SID	FMI	DESCRIPTION
11	187	--	4	Variable Speed Governor Sensor Voltage Low
11	187	--	7	Variable Speed Governor Switch System Not Responding
12	187	--	3	Variable Speed Governor Sensor Voltage High
13	111	--	4	Coolant Level Sensor Input Voltage Low
13	111	--	6	Add Coolant Level Sensor Input Voltage Low
13		146	6	EGR Valve Current too High
14	52	--	3	Intercooler Coolant Temperature Sensor Input Voltage High
14	110	--	3	Coolant Temperature Sensor Input Voltage High
14	175	--	3	Oil Temperature Sensor Input Voltage High
15	52	--	4	Intercooler Coolant Temperature Sensor Input Voltage Low
15	110	--	4	Coolant Temperature Sensor Input Voltage Low
15	175	--	4	Oil Temperature Sensor Input Voltage Low
16	111	--	3	Coolant Level Sensor Input Voltage High
16	111	--	5	Add Coolant Level Sensor Input Voltage High
16		146	5	EGR Valve Current too Low
17	51	--	3	Throttle Plate Position Sensor Input Voltage High
17	72	--	3	Blower Bypass Position Input Voltage High
17	354	--	3	Relative Humidity Sensor Circuit Failed High
18	51	--	4	Throttle Plate Position Sensor Input Voltage Low
18	72	--	4	Blower Bypass Position Input Voltage Low
18	354	--	4	Relative Humidity Sensor Circuit Failed Low
21	91	--	3	Throttle Position Sensor Input Voltage High
22	91	--	4	Throttle Position Sensor Input Voltage Low
23	174	--	3	Fuel Temperature Sensor Input Voltage High
23	--	65	3	Oxygen Content Circuit Input Voltage High
24	174	--	4	Fuel Temperature Sensor Input Voltage Low
24	--	65	4	Oxygen Content Circuit Input Voltage Low
25	--	--	--	Reserved for "No Codes"

## 122 Technical Information

DDEC V Code	PID	SID	FMI	DESCRIPTION
26	--	25	11	Aux. Shutdown #1 Active
26	--	61	11	Aux. Shutdown #2 Active
27	105	--	3	Intake Manifold Temperature Sensor Input Voltage High
27	171	--	3	Ambient Air Temperature Sensor Input Voltage High
27	172	--	3	Air Temperature Sensor Input Voltage High
28	105	--	4	Intake Manifold Temperature Sensor Input Voltage Low
28	171	--	4	Ambient Air Temperature Sensor Input Voltage Low
28	172	--	4	Air Temperature Sensor Input Voltage Low
29	351	—	4	TCI Temperature Circuit Failed Low
29	404	—	4	Turbo Compressor Temperature Out Sensor Input Voltage Low
31	--	51	3	Aux. Output #3 Open Circuit (High Side) – Pin E-49
31	--	51	4	Aux. Output #3 Short To Ground (High Side) – Pin E-49
31	--	51	7	Aux. Output #3 Mechanical System Fail - Pin E-49
31	--	52	3	Aux. Output #4 Open Circuit (High Side) - Pin E-48
31	--	52	4	Aux. Output #4 Short to Ground (High Side) - Pin E-48
31	--	52	7	Aux. Output #4 Mechanical System Failure - Pin E-48
31	--	260	3	Aux. Output #12 Open Circuit (High Side) - Pin E-46
31	--	260	4	Aux. Output #12 Short to Ground (High Side) - Pin E-46
31	--	260	7	Aux. Output #12 Mechanical System Failure - Pin E-46
31	--	261	3	Aux. Output #13 Open Circuit (High Side) - Pin E-47
31	--	261	4	Aux. Output #13 Short to Ground (High Side) - Pin E-47
31	--	261	7	Aux. Output #13 Mechanical System Failure - Pin E-47
31	--	262	3	Aux. Output #14 Open Circuit (High Side) - Pin E-50
31	--	262	4	Aux. Output #14 Short to Ground (High Side) - Pin E-50
31	--	262	7	Aux. Output #14 Mechanical System Failure - Pin E-50
31	--	263	3	Aux. Output #15 Open Circuit (High Side) - Pin E-51
31	--	263	4	Aux. Output #15 Short to Ground (High Side) - Pin E-51
31	--	263	7	Aux. Output #15 Mechanical System Failure - Pin E-51
31	--	264	3	Aux. Output #16 Open Circuit (High Side) - Pin E-52
31	--	264	4	Aux. Output #16 Short to Ground (High Side) - Pin E-52
31	--	264	7	Aux. Output #16 Mechanical System Failure - Pin E-52
31	--	265	3	Aux. Output #17 Open Circuit (High Side) - Pin E-53
31	--	265	4	Aux. Output #17 Short to Ground (High Side) - Pin E-53
31	--	265	7	Aux. Output #17 Mechanical System Failure - Pin E-53
32	--	238	3	RSL Short to Battery (+)

DDEC V Code	PID	SID	FMI	DESCRIPTION
32	--	238	4	RSL Open Circuit
32	--	239	3	AWL Short to Battery (+)
32	--	239	4	AWL Open Circuit
33	102	--	3	Turbo Boost Pressure Sensor Input Voltage High
34	102	--	4	Turbo Boost Pressure Sensor Input Voltage Low
35	19	--	3	High Range Oil Pressure Sensor Input Voltage High
35	100	--	3	Oil Pressure Sensor Input Voltage High
36	19	--	4	High Range Oil Pressure Sensor Input Voltage Low
36	100	--	4	Oil Pressure Sensor Input Voltage Low
37	18	--	3	High Range Fuel Pressure Sensor Input Voltage High
37	94	--	3	Fuel Pressure Sensor Input Voltage High
37	95	--	3	Fuel Restriction Sensor Input Voltage High
38	18	--	4	High Range Fuel Pressure Sensor Input Voltage Low
38	94	--	4	Fuel Pressure Sensor Input Voltage Low
38	95	--	4	Fuel Restriction Sensor Input Voltage Low
39	—	146	2	EGR Leak- Boost Power
39	—	146	12	EGR Leak- Boost Jake
39	—	146	7	EGR Valve Not Responding
39	—	147	2	VNT Vanes Not Responding – Boost Power
39	—	147	11	VNT Vanes at Max – Jake
39	—	147	12	VNT Vanes Not Responding – Boost Jake
39	—	147	14	EGR Flow too low
39	—	147	7	VNT Vanes Not Responding – EGR
41	--	21	0	Too Many CKP Sensor (missing CMP Sensor)
42	--	21	1	Too few CKP Sensor (missing CKP Sensor)
43	111	--	1	Coolant Level Low
44	52	--	0	Intercooler Coolant Temperature High
44	105	--	0	Intake Manifold Temperature High
44	105	--	14	Engine Power Derate Due to Intake Manifold Temperature
44	110	--	0	Coolant Temperature High
44	110	--	14	Engine Power Derate Due to Coolant Temperature
44	172	--	0	Air Inlet Temperature High
44	175	--	0	Oil Temperature High
45	19	--	1	High Range Oil Pressure Low
45	100	--	1	Oil Pressure Low
46	168	--	1	ECM Battery Voltage Low
46	--	155		Injector V (reg) Voltage Failed Low

## 124 Technical Information

DDEC V Code	PID	SID	FMI	DESCRIPTION
46	--	211	1	Sensor Supply Pins V-11/V-12 Low
46	--	212	4	Injector V (slope) Voltage Failed Low
46	--	214	1	RTC Backup Battery Voltage Low, Pin E-59
46	--	221	4	Injector I (pull-in) Voltage Failed Low
46	--	232	1	Sensor Supply Voltage Low, Pin E-12/E-26
47	18	--	0	High Range Fuel Pressure High
47	94	--	0	Fuel Pressure High
47	102	--	0	Turbo Boost Pressure High
47	102	--	14	Engine Power Derate Due to Turbo Boost Pressure
47	106	--	0	Air Inlet Pressure High
47	164	--	0	Injection Control Pressure High
48	18	--	1	High Range Fuel Pressure Low
48	94	--	1	Fuel Pressure Low
48	106	--	1	Air Inlet Pressure Low
48	164	--	1	Injection Control Pressure Low
48	351	--	1	TCI Temperature Low
48	404	--	1	Turbo Compressor Temperature Out Low
48	404	--	14	Engine Power Derate Due to Turbo Compressor Out Temperature
48	411	--	1	EGR Differential Pressure Low
48	412	--	1	EGR Temperature Low
49	351	--	0	TCI Temperature High
49	404	--	0	Turbo Compressor Out Temperature High
51	351	--	3	TCI Temperature Circuit Failed High
51	404	--	3	Turbo Compressor Out Temperature Sensor Input Voltage High
52	--	254	12	A/D Conversion Fail
53	--	253	2	Nonvolatile Checksum Incorrect
53	--	253	12	EEPROM Write Error
53	--	253	13	Out of Calibration
54	84	--	12	Vehicle Speed Sensor Fault
55	--	216	14	Other ECM Fault (This fault is logged in conjunction with another fault to indicate missing information from another ECM.)
55	--	231	12	J1939 Data Link Fault
55	--	248	8	Proprietary Data Link Fault (Master)
55	--	248	9	Proprietary Data Link Fault (Receiver)
56	--	250	12	J1587 Data Link Fault
57	--	249	12	J1922 Data Link Fault



DDEC V Code	PID	SID	FMI	DESCRIPTION
58	92	--	0	Torque Overload
61	--	xxx	0	Injector xxx Response Time Long
62	--	26	3	Aux. Output #1 Short to Battery (+) – Pin V-4
62	--	26	4	Aux. Output #1 Open Circuit - Pin V-4
62	—	26	7	Aux. Output #1 Mechanical System Not Responding Properly - Pin V-4
62	--	40	3	Aux. Output #2 Short to Battery (+) - Pin V-5
62	--	40	4	Aux. Output #2 Open Circuit - Pin V-5
62	—	40	7	Aux. Output #2 Mechanical System Not Responding Properly – Pin V-5
62	--	53	3	Aux. Output #5 Short to Battery (+) - Pin V-6
62	--	53	4	Aux. Output #5 Open Circuit - Pin V-6
62	—	53	7	Aux. Output #5 Mechanical System Not Responding Properly - Pin V-6
62	--	54	3	Aux. Output #6 Short to Battery (+) - Pin V-7
62	--	54	4	Aux. Output #6 Open Circuit - Pin V-7
62	--	54	7	Aux. Output #6 Mechanical System Not Responding Properly - Pin V-7
62	--	55	3	Aux. Output #7 Short to Battery (+) - Pin V-40
62	--	55	4	Aux. Output #7 Open Circuit - Pin V-40
62	—	55	7	Aux. Output #7 Mechanical System Not Responding Properly - Pin V-40
62	--	56	3	Aux. Output #8 Short to Battery (+) – Pin V-53
62	--	56	4	Aux. Output #8 Open Circuit - Pin V-53
62	--	56	7	Aux. Output #8 Mechanical System Not Responding Properly - Pin V-53
62	--	257	3	Aux. Output #9 Open Circuit – Pin V-54
62	--	257	4	Aux. Output #9 Short to Gnd – Pin V-54
62	--	257	7	Aux. Output #9 Mechanical System Failure – Pin V-54
62	--	258	3	Aux. Output #10 Open Circuit – Pin V-55
62	--	258	4	Aux. Output #10 Short to Gnd – Pin V-55
62	--	258	7	Aux. Output #10 Mechanical System Failure – Pin V-55
62	--	259	3	Aux. Output #11 Open Circuit – Pin E-13
62	--	259	4	Aux. Output #11 Short to Gnd – Pin E-13
62	--	259	7	Aux. Output #11 Mechanical System Failure – Pin E-13
63	--	57	0	PWM #1 Above Normal Range, Pin V-53
63	--	57	1	PWM #1 Below Normal Range, Pin V-53
63	--	57	3	PWM #1 Short to Battery (+), Pin V-53
63	--	57	4	PWM #1 Open Circuit, Pin V-53

## 126 Technical Information

DDEC V Code	PID	SID	FMI	DESCRIPTION
63	--	58	0	PWM #2 Above Normal Range, Pin V-46
63	--	58	1	PWM #2 Below Normal Range, Pin V-46
63	--	58	3	PWM #2 Short to Battery (+), Pin V-46
63	--	58	4	PWM #2 Open Circuit, Pin V-46
63	--	59	0	PWM #3 Above Normal Range, Pin E-3
63	--	59	1	PWM #3 Below Normal Range, Pin E-3
63	--	59	3	PWM #3 Short to Battery (+), Pin E-3
63	--	59	4	PWM #3 Open Circuit, Pin E-3
63	--	60	0	PWM #4 Above Normal Range, Pin E-4
63	--	60	1	PWM #4 Below Normal Range, Pin E-4
63	--	60	3	PWM #4 Short to Battery (+), Pin E-4
63	--	60	4	PWM #4 Open Circuit, Pin E-4
63	--	267	0	PWM #5 Above Normal Range - Pin E-8
63	--	267	1	PWM #5 Below Normal Range - Pin E-8
63	--	267	3	PWM #5 Short to Battery (+) - Pin E-8
63	--	267	4	PWM #5 Open Circuit - Pin E-8
63	--	267	7	PWM #5 Mechanical System Failed - Pin E-8
63	--	268	0	PWM #6 Above Normal Range - Pin E-11
63	--	268	1	PWM #6 Below Normal Range - Pin E-11
63	--	268	3	PWM #6 Short to Battery (+) - Pin E-11
63	--	268	4	PWM #6 Open Circuit - Pin E-11
63	--	268	7	PWM #6 Mechanical System Failed - Pin E-11
64	103	--	0	Turbo Overspeed
64	103	--	8	Turbo Speed Sensor Input Failure – Abnormal Period
65	51	--	0	Throttle Plate Position Above Normal Range
65	51	--	1	Throttle Plate Position Below Normal Range
65	51	--	2	Throttle Plate Position Erratic
65	51	--	7	Throttle Plate Not Responding
65	107	--	3	Air Filter Restriction Sensor Voltage High
65	107	--	4	Air Filter Restriction Sensor Voltage Low
66	99	--	3	Oil Filter Restriction Sensor Voltage High
66	99	--	4	Oil Filter Restriction Sensor Voltage Low
66	--	76	0	Engine Knock Level Above Normal Range
66	--	76	3	Engine Knock Level Sensor Input Voltage High
66	--	76	4	Engine Knock Level Sensor Input Voltage Low
66	--	76	7	Engine Knock Level Sensor Not Responding
67	20	--	3	High Range Coolant Pressure Sensor Input Voltage High

DDEC V Code	PID	SID	FMI	DESCRIPTION
67	20	--	4	High Range Coolant Pressure Sensor Input Voltage Low
67	106	--	3	Air Inlet Pressure Sensor Input Voltage High
67	106	--	4	Air Inlet Pressure Sensor Input Voltage Low
67	109	--	3	Coolant Pressure Sensor Input Voltage High
67	109	--	4	Coolant Pressure Sensor Input Voltage Low
68	--	230	5	TPS Idle Validation Circuit Fault (open circuit)
68	--	230	6	TPS Idle Validation Circuit Fault (short to ground)
71	--	xxx	1	Injector xxx Response Time Short
72	84	--	0	Vehicle Overspeed
72	84	--	11	Vehicle Overspeed (Absolute)
72	--	65	0	Oxygen Content Too High
72	--	65	1	Oxygen Content Too Low
73	107	--	0	Air Filter Restriction High
73	--	77	0	Gas Valve Position Above Normal Range
73	--	77	1	Gas Valve Position Below Normal Range
73	--	77	3	Gas Valve Position Input Voltage High
73	--	77	4	Gas Valve Position Input Voltage Low
73	--	77	7	Gas Metering Valve Not Responding
74	70	--	4	Optimized Idle Safety Loop Short to Ground
74	99	--	0	Oil Filter Restriction High
75	168	--	0	ECM Battery Voltage High
75	--	155	3	Injector V (reg) Voltage Failed High
75	--	211	0	Sensor Supply Pins V-11/V-12 Voltage High
75	--	212	3	Injector V (slope) Voltage Failed High
75	--	221	3	Injector V (pull-in) Voltage Failed High
75	--	214	0	RTC Backup Battery Voltage High
75	--	232	0	Sensor Supply Voltage High, Pin E-26
76	121	--	0	Engine Overspeed With Engine Brake
77	19	—	0	High Range Oil Pressure High
77	20	—	0	High Range Coolant Pressure High
77	21	—	0	ECM Temperature Above Range
77	21	—	1	ECM Temperature Below Range
77	21	—	3	ECM Temperature Above Failed High
77	21	—	4	ECM Temperature Above Failed Low
77	72	—	0	Blower Bypass Door Position High
77	72	—	1	Blower Bypass Door Position Low
77	73	—	1	Fire Pump Pressure Low

## 128 Technical Information

DDEC V Code	PID	SID	FMI	DESCRIPTION
77	81	—	0	Exhaust Back Pressure High
77	81	—	1	Exhaust Back Pressure Low
77	81	—	3	Exhaust Back Pressure Sensor Voltage High
77	81	—	4	Exhaust Back Pressure Sensor Voltage Low
77	81	—	12	Exhaust Back Pressure at Rampdown Threshold
77	95	—	1	Fuel Filter Differential Pressure Low
77	99	—	1	Oil Filter Differential Pressure Low
77	100	—	0	Engine Oil Pressure High
77	102	—	1	Turbo Boost Pressure Low
77	105	—	1	Inlet Manifold Temperature Low
77	107	—	1	Air filter Restriction Pressure Low
77	108	—	0	Barometric Pressure High
77	108	—	1	Barometric Pressure Low
77	109	—	0	Coolant Pressure High
77	110	—	1	Coolant Temperature Low
77	111	—	0	Coolant Level High
77	171	—	0	Ambient Air Temperature High
77	171	—	1	Ambient Air Temperature Low
77	172	—	1	Air Inlet Temperature Low
77	174	—	0	Fuel Temperature High
77	174	—	1	Fuel Temperature Low
77	175	—	1	Engine Oil Temperature Low
77	222	—	14	Anti-Theft Fault Present
77	251	—	10	Clock Module Abnormal Rate of Change
77	251	—	13	Clock Module Failure
77	252	—	10	Clock Module Abnormal Rate of Change
77	252	—	13	Clock Module Failure
77	354	—	0	Relative Humidity Above Range
77	354	—	1	Relative Humidity Below Range
77	446	—	0	Cylinder Head Temperature Above Range
77	—	151	11	Service Now Lamp Fault Expiration
78	86	--	14	Cruise Control/Adaptive Cruise Control Fault
81	98	--	3	Oil Level Sensor Input Voltage High
81	101	--	3	Crankcase Pressure Sensor Input Voltage High
81	153	--	3	Extended Crankcase Pressure Input Voltage High
81	164	--	3	Injection Control Pressure Sensor Input Voltage High
81	173	--	3	Exhaust Temperature Sensor Input Voltage High

DDEC V Code	PID	SID	FMI	DESCRIPTION
81	411	—	3	EGR Delta Pressure Sensor Circuit Failed High
81	412	—	3	EGR Temperature Circuit Failed High
81	412	—	9	EGR Temperature Network Sensor Not Responding
81		20	3	Timing Actuator Failed High
81		20	4	Timing Actuator Failed Low
81	--	129	3	Exhaust Port Temperature #1 Sensor Voltage High
81	--	130	3	Exhaust Port Temperature #2 Sensor Voltage High
81	--	131	3	Exhaust Port Temperature #3 Sensor Voltage High
81	--	132	3	Exhaust Port Temperature #4 Sensor Voltage High
81	--	133	3	Exhaust Port Temperature #5 Sensor Voltage High
81	--	134	3	Exhaust Port Temperature #6 Sensor Voltage High
81	--	135	3	Exhaust Port Temperature #7 Sensor Voltage High
81	--	136	3	Exhaust Port Temperature #8 Sensor Voltage High
81	--	137	3	Exhaust Port Temperature #9 Sensor Voltage High
81	--	138	3	Exhaust Port Temperature #10 Sensor Voltage High
81	--	139	3	Exhaust Port Temperature #11 Sensor Voltage High
81	--	140	3	Exhaust Port Temperature #12 Sensor Voltage High
81	--	141	3	Exhaust Port Temperature #13 Sensor Voltage High
81	--	142	3	Exhaust Port Temperature #14 Sensor Voltage High
81	--	143	3	Exhaust Port Temperature #15 Sensor Voltage High
81	--	144	3	Exhaust Port Temperature #16 Sensor Voltage High
81	—	277	9	EGR Rate Sensor not Responding
81	—	277	12	EGR Rate Sensor Failed
82	98	--	4	Oil Level Sensor Input Voltage Low
82	101	--	4	Crankcase Pressure Sensor Input Voltage Low
82	153	--	4	Extended Crankcase Pressure Input Voltage Low
82	164	--	4	Injection Control Pressure Sensor Input Voltage Low
82	173	--	4	Exhaust Temperature Sensor Input Voltage Low
82	411	—	4	EGR Delta Pressure Sensor Circuit Failed Low
82	412	—	4	EGR Temperature Circuit Failed Low
82	412	—	12	EGR Temperature Network Sensor Failed
82	--	129	4	Exhaust Port Temperature #1 Sensor Voltage Low
82	--	130	4	Exhaust Port Temperature #2 Sensor Voltage Low
82	--	131	4	Exhaust Port Temperature #3 Sensor Voltage Low
82	--	132	4	Exhaust Port Temperature #4 Sensor Voltage Low
82	--	133	4	Exhaust Port Temperature #5 Sensor Voltage Low
82	--	134	4	Exhaust Port Temperature #6 Sensor Voltage Low

## 130 Technical Information

DDEC V Code	PID	SID	FMI	DESCRIPTION
82	--	135	4	Exhaust Port Temperature #7 Sensor Voltage Low
82	--	136	4	Exhaust Port Temperature #8 Sensor Voltage Low
82	--	137	4	Exhaust Port Temperature #9 Sensor Voltage Low
82	--	138	4	Exhaust Port Temperature #10 Sensor Voltage Low
82	--	139	4	Exhaust Port Temperature #11 Sensor Voltage Low
82	--	140	4	Exhaust Port Temperature #12 Sensor Voltage Low
82	--	141	4	Exhaust Port Temperature #13 Sensor Voltage Low
82	--	142	4	Exhaust Port Temperature #14 Sensor Voltage Low
82	--	143	4	Exhaust Port Temperature #15 Sensor Voltage Low
82	--	144	4	Exhaust Port Temperature #16 Sensor Voltage Low
82	—	277	12	EGR Rate Sensor Failed
82	412	—	9	EGR Temperature Smart Sensor not Responding
82	412	—	12	EGR Temperature Smart Sensor failed
83	73	—	0	Pump Pressure High
83	98	--	0	Oil Level High
83	101	--	0	Crankcase Pressure High
83	153	--	0	Extended Crankcase Pressure High
83	173	--	0	Exhaust Temperature High
83	411	—	0	EGR Delta Pressure High
83	412	—	0	EGR Temperature High
83	--	129	0	Exhaust Port Temperature #1 High
83	--	130	0	Exhaust Port Temperature #2 High
83	--	131	0	Exhaust Port Temperature #3 High
83	--	132	0	Exhaust Port Temperature #4 High
83	--	133	0	Exhaust Port Temperature #5 High
83	--	134	0	Exhaust Port Temperature #6 High
83	--	135	0	Exhaust Port Temperature #7 High
83	--	136	0	Exhaust Port Temperature #8 High
83	--	137	0	Exhaust Port Temperature #9 High
83	--	138	0	Exhaust Port Temperature #10 High
83	--	139	0	Exhaust Port Temperature #11 High
83	--	140	0	Exhaust Port Temperature #12 High
83	--	141	0	Exhaust Port Temperature #13 High
83	--	142	0	Exhaust Port Temperature #14 High
83	--	143	0	Exhaust Port Temperature #15 High
83	--	144	0	Exhaust Port Temperature #16 High
84	98	--	1	Oil Level Low

DDEC V Code	PID	SID	FMI	DESCRIPTION
84	101	--	1	Crankcase Pressure Low
84	153	--	1	Extended Crankcase Pressure Low
85	190	--	0	Engine Overspeed
85	190	--	14	Engine Overspeed Signal
86	73	--	3	Pump Pressure Sensor Input Voltage High
86	108	--	3	Barometric Pressure Sensor Input Voltage High
87	73	--	4	Pump Pressure Sensor Input Voltage Low
87	108	--	4	Barometric Pressure Sensor Input Voltage Low
88	20	--	1	High Range Coolant Pressure Low
88	109	--	1	Coolant Pressure Low
89	95	--	0	Fuel Restriction High
89	111	--	12	Maintenance Alert Coolant Level Fault

## DIAGNOSTIC TROUBLESHOOTING CODES (DTC) — ALLISON 4<sup>TH</sup> GENERATION CONTROLS


### DIAGNOSTIC TROUBLESHOOTING CODES (DTC) OVERVIEW

Diagnostic codes (DTC) are numerical indications relating to a malfunction in transmission operation. These codes are logged in a list in the TCM memory with the most severe or most recent code listed first. A maximum of five codes (numbered d1 to d5) may be listed in memory at one time. As codes are added, the oldest inactive code is dropped from the list. If all codes are active, the code with the lowest priority that is not included on the severity list is dropped from the list.

Diagnostic codes (DTC) and code information may be accessed through the pushbutton shift selector or using an Allison DOC™ diagnostic tool.

The TCM separately stores the active and inactive codes. An active code is any code that is current in the TCM decision-making process. Inactive codes are codes that are retained in the TCM memory and will not necessary affect the TCM decision-making process. Inactive codes are useful in determining if a problem is:

- Isolated ;
- Intermittent ;
- Result from a previous malfunction.

<p>The TCM may automatically delete a code from memory if it has not recurred. If the MODE INDICATOR (LED) is not illuminated, the displayed code is not active. An illuminated MODE INDICATOR (LED) during normal operation signifies secondary shift mode operation.</p>	
--	---

### DIAGNOSTIC CODES – ALLISON 4<sup>TH</sup> GENERATION CONTROLS

When the diagnostic mode is entered, the first code (position d1) is displayed as follows:

Exemple: Code P0722

Displayed as: **d1...P...07...22**

The code list position is the first item displayed, followed by the DTC. Each item is displayed for about one second. The display cycles continuously until the next code list position is accessed by pressing the

## 132 Technical Information

**MODE** button. The following example shows how DTC P0722 is displayed on the pushbutton shift selector.

SELECT	d	1	MONITOR
		P	
	0	7	
	2	2	

- d1 (code list position) – The position which a code occupies in the list. Positions are displayed as « d1 » through « d5 » (code list position 1 through code list position 5).
- P0722 (DTC) – The diagnostic troubleshooting code number referring to the general condition or area of fault detected by the TCM.

DIGITAL DISPLAY  
MODE IDENTIFICATION  
MODE INDICATOR (LED)  
Push simultaneously to enter diagnostic mode and fluid level check

### DIAGNOSTIC CODE DISPLAY AND CLEARING PROCEDURE – ALLISON 4<sup>TH</sup> GENERATION CONTROLS

Diagnostic codes can be read and cleared by two methods:

- Using an Allison DOC™ diagnostic tool. For specific instructions on how to use an Allison DOC™ diagnostic tool, refer to the User Guide.
- Using the pushbutton shift selector.

*To begin the diagnostic process:*

1. Bring the vehicle to a stop at a safe location.
2. Apply the parking brake.

*To display stored codes:*

1. Simultaneously press the ▲ (Up) and ▼ (Down) arrow buttons twice to access the Diagnostic Display Mode.

#### **NOTE**

*To access the Oil Level Display Mode, simultaneously press the ▲ (Up) and ▼ (Down) arrow buttons once. Consult paragraph: « ALLISON TRANSMISSION OIL LEVEL CHECK USING THE PUSHBUTTON SHIFT SELECTOR » at the end of this section.*

2. Observe the digital display for code (d1).
3. Press the MODE button to see the next code (d2) – repeat for subsequent codes (d3, d4 & d5).

#### **NOTE**

*Be sure to record all codes displayed before they are cleared. This is essential for troubleshooting.*

#### **NOTE**

*The Diagnostic Display Mode can be entered for viewing codes at any speed. Codes can only be cleared when the output speed = 0 and no output speed sensor failure is active*

Active indicators (MODE INDICATOR LED) and inactive codes can be cleared manually, while in the diagnostic display mode, after the condition causing the code is identified.

*To clear active indicators and inactive codes:*



1. While in Diagnostic Display Mode, press and hold the MODE button for 10 seconds to clear both active indicators and inactive codes.
2. Begin operating as normal. Have the transmission checked at the earliest opportunity by an Allison Transmission distributor or dealer.

**NOTE**

*All active indicators are cleared at TCM power down.*

*Some codes will clear their active indicator when the condition causing the code is no longer detected by the TCM.*

*The Diagnostic Display Mode can be exited by any of the following methods:*

- Press simultaneously the ▲ (Up) and ▼ (Down) arrow buttons at the same time on the pushbutton shift selector.
- Press any range button «D», «N» or «R» on the pushbutton shift selector (the shift will be commanded if it is not inhibited by an active code).
- Wait until the calibrated time (approximately 10 minutes) has passed. The system will automatically return to the normal operating mode.
- Turn off power to the TCM (shut off the engine using the ignition key).

**NOTE**

*If clearing a code while locked in a «D» (Drive) or «R» (Reverse) position (fail-to-range), the transmission will still be in «D» (Drive) or «R» (Reverse) when the clearing procedure is completed. «N» (Neutral) must be manually selected.*

### DIAGNOSTIC CODE RESPONSE

The following responses are used in the "Diagnostic Troubleshooting Code List and Inhibited Operation Description" table to command safe operation when diagnostic codes are sent.

#### **DNS - Do Not Shift Response**

Release lock up clutch and inhibit lock up operation.  
Inhibit all shifts.  
Turn *ON* the CHECK TRANS light.  
Display the range attained.  
Ignore any range selection inputs from the shift selector.

#### **DNA - Do Not Adapt Response**

The TCM stops adaptive shift control while the code is active.

#### **SOL OFF - SOLenoid OFF Response**

All solenoids are commanded *OFF* (turning solenoids "A" and "B" off electrically cause them to be on hydraulically).

#### **RPR - Return to Previous Range Response**

When the speed sensor ratio or C3 pressure switch test associated with a shift not successful, the TCM commands the same range as commanded before the shift.

#### **NNC - Neutral No Clutches Response**

When certain speed sensor ratio or C3 pressure switch tests are not successful, the TCM commands a neutral condition with no clutches applied.

## 134 Technical Information

### ALLISON TRANSMISSION DIAGNOSTIC TROUBLESHOOTING CODES (DTC) AND DESCRIPTIONS

DTC	Description	CHECK TRANS Light	Inhibited Operation Description
C1312	Retarder Request Sensor Failed Low	No	May inhibit retarder operation if not using J1939 datalink
C1313	Retarder Request Sensor Failed High	No	May inhibit retarder operation if not using J1939 datalink
P0122	Pedal Position Sensor Low Voltage	No	Use default throttle values. Freezes shift adapts.
P0123	Pedal Position Sensor High Voltage	No	Use default throttle values. Freezes shift adapts.
P0218	Transmission Fluid Over Temperature	No	Use hot mode shift schedule. Holds fourth range. TCC is inhibited. Freezes shift adapts.
P0602	TCM Not Programmed	Yes	Lock in Neutral
P0610	TCM Vehicle Options (Trans ID) Error	Yes	Use TID A calibration
P0613	TCM Processor	No	All solenoids off
P0614	Torque Control Data Mismatch - ECM/TCM	Yes	Allows operation only in reverse and second range.
P0634	TCM Internal Temperature Too High	Yes	SOL OFF (hydraulic default)
P063E	Auto Configuration Throttle Input Not Present	Yes	Use default throttle values
P063F	Auto Configuration Engine Coolant Temp Input Not Present	No	None
P0658	Actuator Supply Voltage 1 (HSD1) Low	Yes	DNS, SOL OFF (hydraulic default)
P0659	Actuator Supply Voltage 1 (HSD1) High	Yes	DNS, SOL OFF (hydraulic default)
P0702	Transmission Control System Electrical (TransID)	Yes	Use TID A calibration
P0703	Brake Switch Circuit Malfunction	No	No Neutral to Drive shifts for refuse packer. TCM inhibits retarder operation if a TPS code is also active.
P0708	Transmission Range Sensor Circuit High Input	Yes	Ignore defective strip selector inputs
P070C	Transmission Fluid Level Sensor Circuit – Low Input	No	None
P070D	Transmission Fluid Level Sensor Circuit – High Input	No	None
P0711	Transmission Fluid Temperature Sensor Circuit Performance	Yes	Use default sump temp
P0712	Transmission Fluid Temperature Sensor Circuit Low Input	Yes	Use default sump temp
P0713	Transmission Fluid Temperature Sensor Circuit High Input	Yes	Use default sump temp
P0716	Turbine Speed Sensor Circuit Performance	Yes	DNS, Lock in current range
P0717	Turbine Speed Sensor Circuit No Signal	Yes	DNS, Lock in current range
P0719	Brake Switch ABS Input Low	No	TCM assumes ABS is OFF
P071A	RELS Input Failed On	Yes	Inhibit RELS operation
P071D	General Purpose Input Fault	Yes	None
P0721	Output Speed Sensor Circuit Performance	Yes	DNS, Lock in current range
P0722	Output Speed Sensor Circuit No Signal	Yes	DNS, Lock in current range
P0726	Engine Speed Sensor Circuit Performance	No	Default to turbine speed
P0727	Engine Speed Sensor Circuit No Signal	No	Default to turbine speed
P0729	Incorrect 6 <sup>th</sup> Gear Ratio	Yes	DNS, Attempt 5 <sup>th</sup> , then 3 <sup>rd</sup>
P0731	Incorrect 1 <sup>st</sup> Gear ratio	Yes	DNS, Attempt 2 <sup>nd</sup> , then 5 <sup>th</sup>
P0732	Incorrect 2 <sup>nd</sup> Gear ratio	Yes	DNS, Attempt 3 <sup>rd</sup> , then 5 <sup>th</sup>

DTC	Description	CHECK TRANS Light	Inhibited Operation Description
P0733	Incorrect 3 <sup>rd</sup> Gear ratio	Yes	DNS, Attempt 4 <sup>th</sup> , then 6 <sup>th</sup>
P0734	Incorrect 4 <sup>th</sup> Gear ratio	Yes	DNS, Attempt 5 <sup>th</sup> , then 3 <sup>rd</sup>
P0735	Incorrect 5 <sup>th</sup> Gear ratio	Yes	DNS, Attempt 6 <sup>th</sup> , then 3 <sup>rd</sup> , then 2 <sup>nd</sup>
P0736	Incorrect Reverse Gear ratio	Yes	DNS, Lock in Neutral
P0741	Torque Converter Clutch System Stuck Off	Yes	None
P0776	Pressure Control Solenoid 2 Stuck Off	Yes	DNS, RPR
P0777	Pressure Control Solenoid 2 Stuck On	Yes	DNS, RPR
P0796	Pressure Control Solenoid 3 Stuck Off	Yes	DNS, RPR
P0797	Pressure Control Solenoid 3 Stuck On	Yes	DNS, RPR
P0842	Transmission Pressure Switch 1 Circuit Low	Yes	DNS, Lock in current range
P0843	Transmission Pressure Switch 1 Circuit High	Yes	DNS, Lock in current range
P0880	TCM Power Input Signal	No	None
P0881	TCM Power Input Signal Performance	No	None
P0882	TCM Power Input Signal Low	Yes	DNS, SOL OFF (hydraulic default)
P0883	TCM Power Input Signal High	No	None
P0894	Transmission Component Slipping	Yes	DNS, Lock in first
P0960	Pressure Control Solenoid Main Mod Control Circuit Open	Yes	None
P0962	Pressure Control Solenoid Main Mod Control Circuit Low	Yes	DNS, SOL OFF (hydraulic default)
P0963	Pressure Control Solenoid Main Mod Control Circuit High	Yes	None
P0964	Pressure Control Solenoid 2 (PCS2) Control Circuit Open	Yes	DNS, SOL OFF (hydraulic default)
P0966	Pressure Control Solenoid 2 (PCS2) Control Circuit Low	Yes	DNS, SOL OFF (hydraulic default)
P0967	Pressure Control Solenoid 2 (PCS2) Control Circuit High	Yes	DNS, SOL OFF (hydraulic default)
P0968	Pressure Control Solenoid 3 (PCS3) Control Circuit Open	Yes	DNS, SOL OFF (hydraulic default)
P0970	Pressure Control Solenoid 3 (PCS3) Control Circuit Low	Yes	DNS, SOL OFF (hydraulic default)
P0971	Pressure Control Solenoid 3 (PCS3) Control Circuit High	Yes	DNS, SOL OFF (hydraulic default)
P0973	Shift Solenoid 1 (SS1) Control Circuit Low	Yes	DNS, SOL OFF (hydraulic default)
P0974	Shift Solenoid 1 (SS1) Control Circuit High	Yes	DNS, SOL OFF (hydraulic default)
P0975	Shift Solenoid 2 (SS2) Control Circuit Open	Yes	7-speed: Allow 2 through 6, N, R
P0976	Shift Solenoid 2 (SS2) Control Circuit Low	Yes	7-speed: Allow 2 through 6, N, R Inhibit TCC operation
P0977	Shift Solenoid 2 (SS2) Control Circuit High	Yes	7-speed: Allow 2 through 6, N, R
P0989	Retarder Pressure Sensor Failed Low	No	None
P0990	Retarder Pressure Sensor Failed High	No	None
P1739	Incorrect Low Gear Ratio	Yes	Command 2 <sup>nd</sup> and allow shifts 2 through 6, N, R
P1891	Throttle Position Sensor PWM Signal Low Input	No	Use default throttle values
P1892	Throttle Position Sensor PWM Signal High Input	No	Use default throttle values
P2184	Engine Coolant Temperature Sensor Circuit Low Input	No	Use default engine coolant values
P2185	Engine Coolant Temperature Sensor Circuit High Input	No	Use default engine coolant values
P2637	Torque Management Feedback Signal (SEM)	Yes	Inhibit SEM
P2641	Torque Management Feedback Signal (LRTP)	Yes	Inhibit LRTP
P2670	Actuator Supply Voltage 2 (HSD2) Low	Yes	DNS, SOL OFF (hydraulic default)
P2671	Actuator Supply Voltage 2 (HSD2) High	Yes	DNS, SOL OFF (hydraulic default)

## 136 Technical Information

DTC	Description	CHECK TRANS Light	Inhibited Operation Description
P2685	Actuator Supply Voltage 3 (HSD3) Low	Yes	DNS, SOL OFF (hydraulic default)
P2686	Actuator Supply Voltage 3 (HSD3) High	Yes	DNS, SOL OFF (hydraulic default)
P2714	Pressure Control Solenoid 4 (PCS4) Stuck Off	Yes	DNS, RPR
P2715	Pressure Control Solenoid 4 (PCS4) Stuck On	Yes	DNS, SOL OFF (hydraulic default)
P2718	Pressure Control Solenoid 4 (PCS4) Control Circuit Open	Yes	DNS, SOL OFF (hydraulic default)
P2720	Pressure Control Solenoid 4 (PCS4) Control Circuit Low	Yes	DNS, SOL OFF (hydraulic default)
P2721	Pressure Control Solenoid 4 (PCS4) Control Circuit High	Yes	DNS, SOL OFF (hydraulic default)
P2723	Pressure Control Solenoid 1 (PCS1) Stuck Off	Yes	DNS, RPR
P2724	Pressure Control Solenoid 1 (PCS1) Stuck On	Yes	DNS, RPR
P2727	Pressure Control Solenoid 1 (PCS1) Control Circuit Open	Yes	DNS, SOL OFF (hydraulic default)
P2729	Pressure Control Solenoid 1 (PCS1) Control Circuit Low	Yes	DNS, SOL OFF (hydraulic default)
P2730	Pressure Control Solenoid 1 (PCS1) Control Circuit High	Yes	DNS, SOL OFF (hydraulic default)
P2736	Pressure Control Solenoid 5 (PCS5) Control Circuit Open	Yes	Inhibit retarder operation
P2738	Pressure Control Solenoid 5 (PCS5) Control Circuit Low	Yes	Allow 2 through 6, N, R. Inhibit retarder and TCC operation
P2739	Pressure Control Solenoid 5 (PCS5) Control Circuit High	Yes	Inhibit retarder operation
P2740	Retarder Oil Temperature Hot	No	None
P2742	Retarder Oil Temperature Sensor Circuit – Low Input	No	Use default retarder temp values
P2743	Retarder Oil Temperature Sensor Circuit – High Input	No	Use default retarder temp values
P2761	TCC PCS Control Circuit Open	Yes	Inhibit TCC operation
P2763	TCC PCS Control Circuit High	Yes	Inhibit TCC operation
P2764	TCC PCS Control Circuit Low	Yes	7-speed: Allow 2 through 6, N, R. Inhibit TCC operation
P278A	Kickdown Input Failed ON	No	Inhibit kickdown operation
P2793	Gear Shift Direction Circuit	Yes	Ignores PWM input from shift selector
P2808	Pressure Control Solenoid 6 (PCS6) Stuck Off	Yes	DNS, RPR
P2809	Pressure Control Solenoid 6 (PCS6) Stuck On	Yes	DNS, RPR
P2812	Pressure Control Solenoid 6 (PCS6) Control Circuit Open	Yes	DNS, SOL OFF (hydraulic default)
P2814	Pressure Control Solenoid 6 (PCS6) Control Circuit Low	Yes	DNS, SOL OFF (hydraulic default)
P2815	Pressure Control Solenoid 6 (PCS6) Control Circuit High	Yes	DNS, SOL OFF (hydraulic default)
U0001	Hi Speed CAN Bus Reset Counter Overrun (IESCAN)	No	Use default values, inhibit SEM
U0010	CAN BUS Reset Counter Overrun	No	Use default values, inhibit SEM
U0100	Lost Communications with ECM/PCM (J1587)	Yes	Use default values
U0103	Lost Communication with Gear Shift Module (Shift Selector) 1	Yes	Maintain range selected, observe gear shift direction circuit
U0115	Lost Communication with ECM	Yes	Use default values
U0291	Lost Communication with Gear Shift Module (Shift Selector) 2	Yes	Maintain range selected, observe gear shift direction circuit
U0304	Incompatible Gear Shift Module 1 (Shift Selector) ID	Yes	Ignore shift selector inputs
U0333	Incompatible Gear Shift Module 2 (Shift Selector) ID	Yes	Ignore shift selector inputs
U0404	Invalid Data Received From Gear Shift Module (Shift Selector) 1	Yes	Maintain range selected, observe gear shift direction circuit
U0592	Invalid Data Received From Gear Shift Module (Shift Selector) 2	Yes	Maintain range selected, observe gear shift direction circuit

## ALLISON TRANSMISSION OIL LEVEL CHECK USING THE PUSHBUTTON SHIFT SELECTOR

Oil level codes are obtained as follows:

1. Park vehicle on a level surface, select «N» (neutral) on the pushbutton shift selector and apply parking brake.
2. Press simultaneously the ▲ (Up) and ▼ (Down) arrow buttons once.
3. Oil level codes are displayed in 2 minutes (e.g. display will flash and 8, 7, 6, 5, ...; countdown will occur during the 2 minutes) once the following parameters are met:
  - **Waiting time, vehicle must be stationary for at least 2 minutes to allow the oil to settle;**
  - **Engine at idle;**
  - **Oil at normal operating temperature, between 140°F (60°C) and 220°F (104°C);**
  - **Transmission in «N» (Neutral);**
  - **Transmission output shaft stopped;**
  - **Oil level sensor present and working.**

After 2 minutes, the display will flash one of the codes shown below:

CODE	CAUSE OF CODE
OL...OK	Oil level is correct
OL...LO...01	One quart low
OL...LO...02	Two quarts low
OL...HI...01	One quart high
OL...HI...02	Two quarts high

### NOTE

*Failure to meet one of the above parameters will stop the two minute countdown. One of the codes shown hereafter will indicate the cause of the countdown interruption. Once all parameters are met, the countdown will continue from where it left off.*

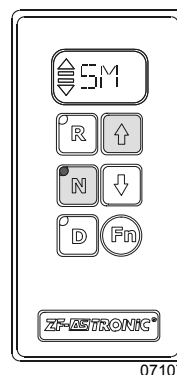
CODE	CAUSE OF CODE
OL...-...0X	Waiting time too short
OL...50	Engine speed (rpm) too low
OL...59	Engine speed (rpm) too high
OL...65	Neutral must be selected
OL...70	Sump oil temperature too low
OL...79	Sump oil temperature too high
OL...89	Output shaft rotation
OL...95	Sensor failure

### Exiting the Fluid Level Display Mode

To exit the Oil Level Display Mode, press any range button: «R», «N» or «D».

## ZF-ASTRONIC TRANSMISSION SYSTEM FAULTS AND ERROR MESSAGES

### SYSTEM FAULTS (ERROR MESSAGES)



If the “SM” symbol appears in the display, a system error has occurred.

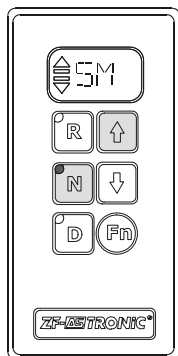
- **Stop the vehicle**
- **Vehicle may no longer be driven**

Error messages and the reactions resulting from these errors can be deleted with the vehicle at a standstill and the “Ignition OFF”. (Wait until the display goes out). If the display does not go out once the ignition has been turned “OFF”, set the battery master switch to the **OFF** position. Switch the ignition back on. If the error message is still in place, the transmission has to be repaired. The transmission is inoperative. The vehicle will have to be taken to a service point. The error number(s) must be specified when the service point is contacted.

## 138 Technical Information

---

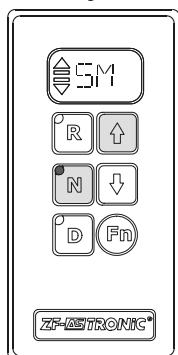
### Calling up error numbers



07107

- ☞ Switch on ignition
- ☞ Depress “N” key
- ☞ Hold down “↑” key
- ☞ One or more error numbers appear on the display. These correspond to the errors presently active in the system.

### Calling up error numbers from the error memory:



07107

- ☞ Switch on ignition
- ☞ Press “N” key and at the same time depress the foot-operated brake
- ☞ Hold down the foot-operated brake and depress and hold down “↑” key
- ☞ The errors stored in the transmission ECU are shown on the display one after another.

## ERROR CODES

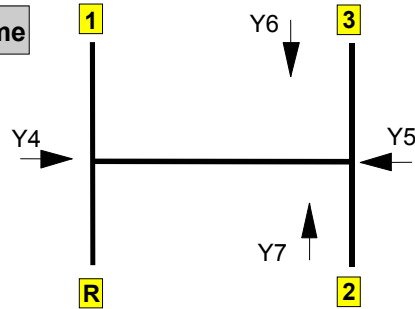
Remark to titles in table:

- ZF fault number : defined by ZF.
- Display SM-Symbol : (0=NO, 1=YES) Display shows “**SM**”(severe failure)
- Warning lamp : (0=NO, 1=YES) Telltale panel warning lamp “**check trans**”(less severe failure)

Shift schemes of transmissions:

- Y2 Splitter K2
- Y3 Splitter K1
- Y8 Range (GP) low
- Y9 Range (GP)

10/12-Gear Scheme



ON MESSAGES CENTER DISPLAY (MCD) SAE-J1587 Codes	ON SHIFT SELECTOR DISPLAY	ISO CODES WITH TESTMAN TOOL	DESCRIPTION
8, 7	8	161	Easy Start, Brake doesn't open completely
8, 14	8	162	Easy Start, Not Available
20,6	14	22	Short circuit to ground at output ACC (wakeup control signal for ZMTEC, keep alive signal for voltage doubler, and power signal for speed sensor #2)
20,5	14	54	Interruption at output ACC (wakeup control signal for ZMTEC, keep alive signal for voltage doubler, and power signal for speed sensor #2)
32,3	20	141	No splitter group (GV) sensor signal (Short circuit to positive)
32,6	20	142	No splitter group (GV) sensor signal (Short circuit to ground)
32,5	20	143	No splitter group (GV) sensor signal (Interruption)
32,13	20	144	Splitter group (GV) sensor self adjustment error
32,7	20	160	Splitter sensor signal leaves engaged position during driving
33,14	21	107	Stabilised voltage supply at output AU (clutch sensor supply) too high or too low
33,13	21	117	Error in clutch self-adjustment process
33,2	21	124	Error on clutch travel signal
34,7	22	120	Mechanical failure of small clutch disengagement valve
34,7	22	121	Mechanical failure of large clutch disengagement valve
34,7	22	122	Mechanical failure of small clutch engagement valve
34,7	22	123	Mechanical failure of large clutch engagement valve
34,6	22	18	Short circuit to ground at output stage to small disengagement clutch valve
34,6	22	19	Short circuit to ground at output stage to small engagement clutch valve
34,6	22	20	Short circuit to ground at output stage to large disengagement clutch valve
34,6	22	21	Short circuit to ground at output stage to large engagement clutch valve

## 140 Technical Information

ON MESSAGES CENTER DISPLAY (MCD) SAE-J1587 Codes	ON SHIFT SELECTOR DISPLAY	ISO CODES WITH TESTMAN TOOL	DESCRIPTION
34,5	22	50	Interruption at output stage to small disengagement clutch valve
34,5	22	51	Interruption at output stage to small engagement clutch valve
34,5	22	52	Interruption at output stage to large disengagement clutch valve
34,5	22	53	Interruption at output stage to large engagement clutch valve
34,3	22	82	Short circuit to positive at output stage to small disengagement clutch valve
34,3	22	83	Short circuit to positive at output stage to small engagement clutch valve
34,3	22	84	Short circuit to positive at output stage to large disengagement clutch valve
34,3	22	85	Short circuit to positive at output stage to large engagement clutch valve
35,5	23	41	Interruption at output stage to Y9 (Valve Range)
35,3	23	73	Short circuit to positive at output stage to Y9 (Valve range)
35,6	23	9	Short circuit to ground at output stage to Y9 (Valve Range)
36,5	24	40	Interruption at output stage to Y8 (Valve Range)
36,3	24	72	Short circuit to positive at output stage to Y8 (Valve range)
36,6	24	8	Short circuit to ground at output stage to Y8 (Valve Range)
37,6	25	2	Short circuit to ground at output stage to Y2 (Valve Splitter)
37,5	25	34	Interruption at output stage to Y2 (Valve Splitter)
37,3	25	66	Short circuit to positive at output stage to Y2 (Valve Splitter)
38,6	26	3	Short circuit to ground at output stage to Y3 (Valve Splitter)
38,5	26	35	Interruption at output stage to Y3 (Valve Splitter)
38,3	26	67	Short circuit to positive at output stage to Y3 (Valve Splitter)
39,5	27	36	Interruption at output stage to Y4 (Valve Select)
39,6	27	4	Short circuit to ground at output stage to Y4 (Valve Select)
39,3	27	68	Short circuit to positive at output stage to Y4 (Valve Select)
40,5	28	38	Interruption at output stage to Y6 (Valve Shift)
40,6	28	6	Short circuit to ground at output stage to Y6 (Valve Shift)
40,3	28	70	Short circuit to positive at output stage to Y6 (Valve Shift)
43,2	2B	175	Error on "Ignition lock" signal (terminal 15)
48,3	30	129	No shift sensor signal (Short circuit to positive)
48,6	30	130	No shift sensor signal (Short circuit to ground)
48,5	30	131	No shift sensor signal (Interruption)
48,13	30	132	Self adjustment error of shift sensor
48,7	30	157	Selector sensor signal leaves position during driving
48,7	30	158	Engage sensor signal leaves engaged position during driving
50,5	32	37	Interruption at output stage to Y5 (Valve Select)
50,6	32	5	Short circuit to ground at output stage to Y5 (Valve Select)
50,3	32	69	Short circuit to positive at output stage to Y5 (Valve Select)
51,5	33	39	Interruption at output stage to Y7 (Valve Shift)
51,6	33	7	Short circuit to ground at output stage to Y7 (Valve Shift)
51,3	33	71	Short circuit to positive at output stage to Y7 (Valve Shift)



ON MESSAGES CENTER DISPLAY (MCD) SAE-J1587 Codes	ON SHIFT SELECTOR DISPLAY	ISO CODES WITH TESTMAN TOOL	DESCRIPTION
54,6	36	17	Short circuit to ground at output stage to Y1 (inertia brake valve)
54,5	36	49	Interruption at output stage to Y1 (inertia brake valve)
54,3	36	81	Short circuit to positive at output stage to Y1 (inertia brake valve)
55,7	37	114	Clutch engaged unintentionally at standstill, gear engaged
55,7	37	118	Clutch does not disengage
55,7	37	119	Clutch does not engage / does not transmit engine torque
56,7	38	145	Range change group (GP) disengagement error
56,7	38	146	Changeover error during range change group (GP) shifting
56,7	38	147	Range change group (GP) does not engage
57,2	39	108	Error in shift lever
57,14	39	110	ZF CAN timeout (can also means shift lever error through ZMP06400.hex)
58,7	3A	154	Main transmission gear does not disengage
58,7	3A	155	Main transmission gear does not engage
58,7	3A	156	Wrong gear shifting
59,7	3B	151	Selector cylinder does not disengage
59,7	3B	152	Change over error during gate selection procedure
59,7	3B	153	Selector cylinder does not engage
60,3	3C	133	No gate select sensor signal (Short circuit to positive)
60,6	3C	134	No gate select sensor signal (Short circuit to ground)
60,5	3C	135	No gate select sensor signal (Interruption)
60,13	3C	136	Gate select sensor self adjustment error
61,7	3D	148	Splitter (GV) does not disengage
61,7	3D	149	Change over error during splitter shifting
61,7	3D	150	Splitter (GV) does not engage
63,14	3F	100	Error on output speed signal 2
106,0	6A	125	Error on pressure reduction valve
106,14	6A	126	Error on pressure sensor signal
150,14	96	59	Acknowledge fault of PTO 1
150,14	96	60	Acknowledge fault of PTO 2
150,7	96	61	Disengagement fault of PTO 1
150,7	96	62	Disengagement fault of PTO 2
150,7	96	63	Engagement fault of PTO1
150,7	96	64	Engagement fault of PTO2
151,14	97	102	Plausibility error between transmission input speed and output speed
152,6	98	10	Short circuit to ground at output stage to Y10 (Main valve)
152,5	98	42	Interruption at output stage to Y10 (Main valve)
152,3	98	74	Short circuit to positive at output stage to Y10 (Main valve)
153,14	99	-	Error on ISO 14320 communications line
154,14	9A	101	Error on both output speed signals

## 142 Technical Information

ON MESSAGES CENTER DISPLAY (MCD) SAE-J1587 Codes	ON SHIFT SELECTOR DISPLAY	ISO CODES WITH TESTMAN TOOL	DESCRIPTION
161,14	A1	98	Error on transmission input speed signal
177,2	B1	128	Error on oil temperature sensor signal
191,14	BF	194	Both sources of vehicle speed are faulty
191,14	BF	99	Error on output speed signal 1
230,14	E6	166	Permanent idle signal
230,14	E6	168	No idle signal or error on "idle signal switch" signal (EEC2)
230,14	E7	103	Error on "Wheel-based vehicle speed" signal (CCV
231,7	E7	163	Engine does not react on torque intervention
231,14	E7	164	Error on "Drivers demand engine percent torque" (EEC1)
231,14	E7	165	Error on "Accelerator pedal position" (EEC2)
231,14	E7	167	Error on "Percent load at current speed" signal (EEC2)
231,14	E7	171	Error on "Actual engine percent torque" signal (EEC1)
231,14	E7	172	Permanent engine brake request signal
231,14	E7	173	Error on "Brake switch" signal (CCVS)
231,14	E7	177	System-CAN Busoff error
231,11	E7	178	CAN error frames
231,11	E7	179	CAN queue overrun
231,14	E7	180	CAN EEC1 timeout
231,14	E7	181	CAN EEC2 timeout
231,14	E7	182	CAN CCVS timeout
231,14	E7	183	CAN ERC1_ER timeout
231,14	E7	197	Error on "Front axle speed" (WSI)
231,14	E7	198	Error on "Relative wheel speeds" (WSI)
231,14	E7	199	CAN WSI timeout
231,14	E7	26	CAN engine configuration timeout
231,14	E7	27	Error on "engine configuration message" (engine configuration)
231,14	E7	31	Error on "Actual engine retarder - percent torque" signal (ERC1_ER)
231,14	E7	32	Error on "Engine retarder configuration message" (Engine retarder configuration)
231,14	E7	33	CAN "Engine retarder configuration" timeout
231,14	E7	91	CAN EBC1 timeout
231,14	E7	92	Error on "ABS active" signal (EBC1)
231,14	E7	93	Error on "ASR engine control active" signal (EBC1)
231,14	E7	94	Error on "ASR brake control active" signal (EBC1)
231,14	E7	95	Error on "Cruise control active" signal (CCVS)
231,14	E7	96	Error on "Cruise control set speed" (CCVS)
231,14	E7	97	Error on "Engine speed" signal (EEC1)
-	EE	-	Communication error between GS3 and ZMTEC on display line
248,6	F8	25	Short circuit to ground at output SD to display
248,3	F8	89	Short circuit to positive at output SD to display

ON MESSAGES CENTER DISPLAY (MCD) SAE-J1587 Codes	ON SHIFT SELECTOR DISPLAY	ISO CODES WITH TESTMAN TOOL	DESCRIPTION
251,0	FB	104	High voltage (Vehicle electrical system voltage too high)
251,1	FD	105	Low voltage (Vehicle electrical system voltage too low)
253,14	FD	190	EOL EEPROM parameter out of valid range
253,14	FD	191	EOL EEPROM parameter checksum error
254,12	FE	169	Cut-off relay in ECU does not switch off
254,13	FE	170	No voltage supply at pin 30 or cut-off relay in ECU does not switch on
254,14	FE	188	ECU fault - wrong interrupt
254,14	FE	189	ECU fault - stack watch
254,14	FE	192	ECU fault - EEPROM access failure (or first power-up after programming without managed power down cycle)
254,14	FE	90	Communication error between controller 1 and controller 2 (ECU failure)
-	FF	-	ZMTEC does not recognise the ISO fault code

## **144 Technical Information**


---

### **LIGHT BULB DATA**

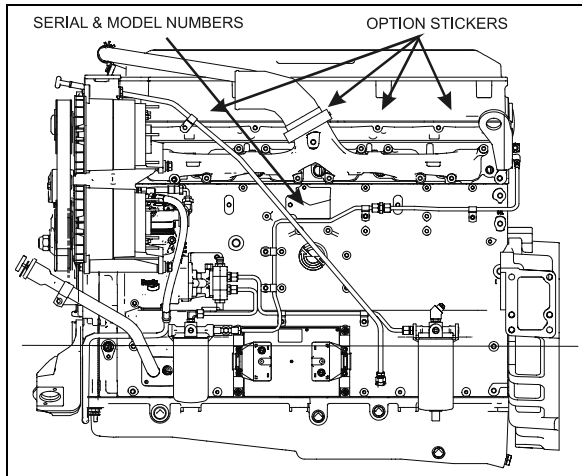
Please, refer to your vehicle Parts Manual for selection of replacement light bulbs.

**PLATES AND CERTIFICATION**

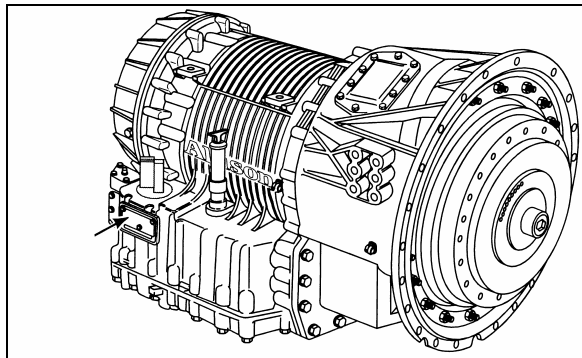
The main components of the vehicle such as engine, transmission, axles and chassis are identified by different serial numbers. It may be necessary to locate these numbers for warranty purposes.

The engine serial and model number are stamped on the cylinder block (as viewed from the flywheel end) on the left side just below the fire deck and above the cast-in Detroit Diesel logo .

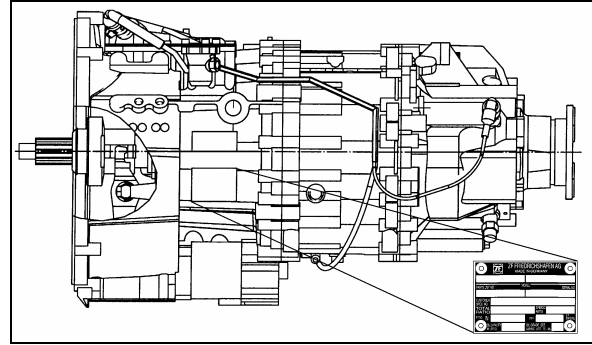
In addition, option decals are located on the rocker cover (starter side). The engine serial and model number and a list of the optional engine equipment are written on these decals. Refer to this information when ordering replacement parts.



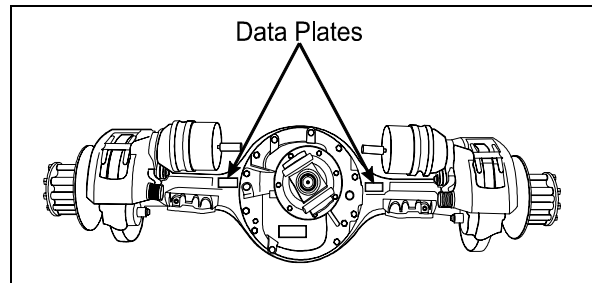
**SERIES 60 ENGINE** 00043



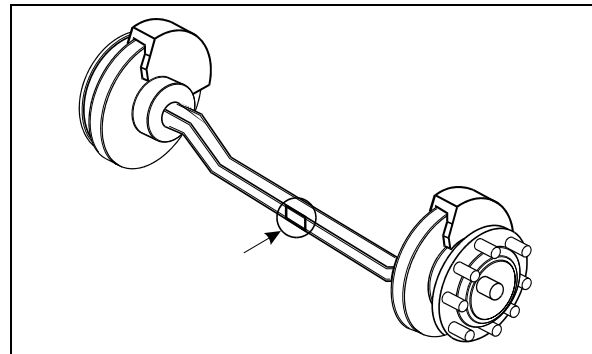
**ALLISON TRANSMISSION** 07076



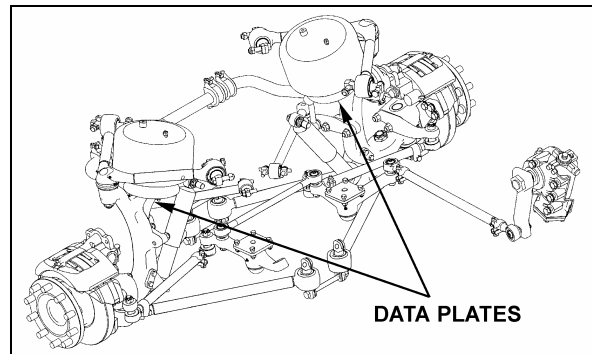
**ZF-ASTRONIC TRANSMISSION** 00040



**DRIVE AXLE** 00007



**I-BEAM FRONT AXLE** 00008



**INDEPENDENT FRONT SUSPENSION** 16136

**SAFETY CERTIFICATION**


- Vehicle components meet specifications and standards as follows:

## 146 Technical Information

- Material and parts conform to ASTM and/or SAE standards in effect at the time of manufacture.
- All factory-installed interior materials meet FMVSS 302 for fire resistance.
- Certified according to Provincial, State and Federal Safety standards (Canadian and US) BMCSS, FMVSS and CMVSS.
- Other applicable certification labels are affixed to the component.

### DOT CERTIFICATION PLATE

This certifies that vehicles manufactured by Prevost Car Inc. comply with all Federal Motor Vehicle Safety Standards at the time of manufacture. Information such as date of manufacture, model year, gross vehicle weight rating, tire types and inflation pressure is also etched on this plate. The DOT Certification plate is affixed to L.H. control panel.

	PREVOST		MANUFACTURED BY: PREVOST CAR INC. FABRIQUÉ PAR: STE-CLAUDE, Q.U.E.				
	TYPE: MHVAD	DATE OF MANUFACTURE	DATE OF MFG.	AXLE ESSEU	GROSS AXL WEIGHT RATING POIDS NOMINAL BRUT	TIRE PNEU	WHEEL ROUE
VEHICLE IDENTIFICATION NO.		DATE OF MFG.	FRONT AVANT	LINE	KG.	FRONT AVANT	FRONT AVANT
VEHICLE IDENTIFICATION NO.		DATE OF MFG.	DIFF.	LINE	KG.	DIFF.	DIFF.
VEHICLE IDENTIFICATION NO.		DATE OF MFG.	TAND.	LINE	KG.	TAND.	TAND.
VEHICLE IDENTIFICATION NO.		DATE OF MFG.	GROSS VEHICLE WEIGHT RATING: 6800 LBS. POIDS NOMINAL BRUT DU VEHICULE: 3080 KG.				
VEHICLE IDENTIFICATION NO.		DATE OF MFG.	#404504				

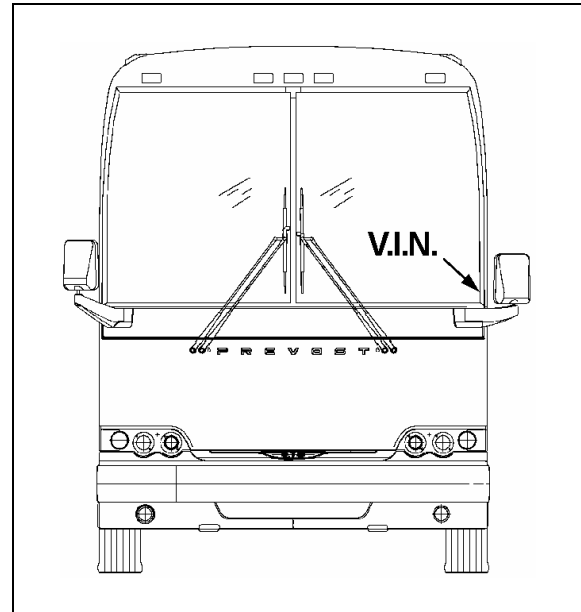
### DOT CERTIFICATION PLATE

00016

### EPA ENGINE LABEL

The emissions certification label affixed inside the engine compartment above the lavatory maintenance service valves certifies that the engine conforms to federal and any state exhaust emissions regulations.

### VEHICLE IDENTIFICATION NUMBER (VIN)



### VEHICLE IDENTIFICATION NUMBER

00044

The Vehicle Identification Number is stamped on a plate located on the windshield frame pillar (driver's side). The VIN is visible from the outside of the vehicle. Make sure the correct vehicle identification number is given when ordering replacement parts. Using the VIN when ordering parts will facilitate processing.

### NOTE

Record the VIN in the vehicle documentation and keep with company records. The VIN will normally be used for vehicle registration, service reference needs and for obtaining vehicle insurance coverage.

### COACH FINAL RECORD

The Coach Final Record is a record of all data pertaining to the assembly of the vehicle. This record is included in the technical publications package supplied with the vehicle. Retain this record in the company records office for reference and safe-keeping.

**SERVICE LITERATURE**

Visit our web sit at [www.prevostcar.com](http://www.prevostcar.com) for on-line product information and technical publications!

Additional copies of the following service literature are available on request and at low cost. These can be helpful to mechanics and drivers alike.

- \* **Maintenance Manual**
- \* **Operator's Manual**
- \* **Parts Manual**
- \* **Service Center Directory**

To order, call Prevost Parts toll free 1-800-463-8876 or write to:

**PREVOST PARTS INC.**

2955-A Watt Street  
Sainte-Foy, (Quebec)  
Canada G1X 3W1

**Specify the complete vehicle serial number. Allow 30 days for delivery**

# 148 Appendix

---

## NOTICE

### DECLARATION OF THE MANUFACTURING DEFECTS TO THE GOVERNMENT OF THE UNITED STATES

If you believe that your vehicle has defect which could cause a crash or could cause injury or death, you should immediately inform the National Highway Traffic Safety Administration (NHTSA) in addition to notifying Prevest Car Inc.

If NHTSA receives similar complaints, it may open an investigation, and if it finds that a safety defect exists in a group of vehicles, it may order a recall and remedy campaign.

However, NHTSA cannot become involved in individual problems between you, your dealer, or Prevest Car Inc.

To contact NHTSA you may either call the Auto Safety Hotline toll-free at **1-800-424-9393** (or **366-0123** in Washington, D.C. area) or write to:

**NHTSA  
U.S. Department of transportation  
Washington, D.C. 20590.**

You can also obtain other information about motor vehicle safety from the Hotline.

### DECLARATION OF THE MANUFACTURING DEFECTS TO THE CANADIAN GOVERNMENT

If you live in Canada, and if you believe that your vehicle has a safety defect, you should immediately inform Transport Canada and Prevest Car Inc. You may write to:

**Transport Canada  
Box 8880  
Ottawa, Ontario, K1G 3J2**

### DECLARATION OF THE MANUFACTURING DEFECTS TO PREVOST CAR INC.

In addition to notify the NHTSA (or Transport Canada), please contact Prevest Car at **1-418-831-2046**. Or you may write to:

**Prevest Car Inc.  
After-sales service department  
850 Olivier Road,  
Saint-Nicolas (Quebec)  
Canada, G7A 2N1**



110-120 VOLTS CONNECTOR ..... 13

**A**

ADJUSTABLE HVAC REGISTERS ..... 14

AIR SYSTEM ..... 117

AISLE MIRROR ..... 14

ALIGNMENT SPECIFICATIONS ..... 118

ALLISON AUTOMATIC TRANSMISSION ..... 47

    DESCRIPTION OF AVAILABLE RANGES ..... 48

    MODE ..... 47

    OPERATION ..... 47

ALLISON TRANSMISSION WARM-UP ..... 83

ALLISON TRANSMISSION CONTROL  
MODULE (TCM) ..... 66

ALLISON TRANSMISSION RETARDER .. 45, 66

    OPERATING THE TRANSMISSION OUTPUT  
    RETARDER ..... 46

ANTILOCK BRAKING SYSTEM (ABS) .. 67, 117

    TROUBLESHOOTING AND TESTING ..... 118

APPENDIX ..... 147

    NOTICE ..... 148

    SERVICE LITERATURE ..... 147

AUDIBLE ALERTS ..... 92

**B**

BACK-UP ALARM ..... 91

BACK-UP CAMERA MONITOR ..... 29

BACK-UP CAMERA ..... 13, 91

BAGGAGE COMPARTMENTS ..... 9

BELTS ..... 117

BRAKES ..... 117

    BRAKE CHAMBER EFFECTIVE AREA ..... 117

**C**

CAPACITIES ..... 116

CARE AND MAINTENANCE ..... 94

CLEANING ..... 94

    CARPET ..... 95

    EXTERIOR SURFACES ..... 95

    FLOOR CLEANING ..... 95

FORMICA ..... 95

PLASTIC AND VINYL ..... 95

RUBBER COMPONENTS ..... 95

SEAT UPHOLSTERY ..... 94

STAINLESS STEEL ..... 95

WINDOWS ..... 95

WINDSHIELD ..... 96

COACH EXTERIOR ..... 4

COACH FINAL RECORD ..... 146

COACH INTERIOR ..... 14

COMPARTMENT LIGHTING ..... 91

CONDENSER COMPARTMENT (A/C) ..... 7

CONTROLS AND INSTRUMENTS ... 23

COOLANT HEATER ..... 69

    COOLANT HEATER TIMER ..... 70

    SWITCHING THE HEATER OFF ..... 70

    SWITCHING THE HEATER ON ..... 69

    TROUBLESHOOTING AND MAINTENANCE ... 72

**D**

DASHBOARD ..... 30

    AIR VENTS ..... 38

    CONTROL SWITCHES ..... 31

    L.H. DASHBOARD PANEL ..... 31

    R.H. DASHBOARD PANEL ..... 34

DAYTIME RUNNING LIGHTS ..... 91

DDEC V DIAGNOSTIC CODES ..... 121

DEC V ELECTRONIC CONTROL  
MODULE (ECM) ..... 58

DEFENSIVE DRIVING PRACTICES ..... 2

DETROIT DIESEL ELECTRONIC  
CONTROL (DDEC) SYSTEM ..... 57

DIAGNOSTIC DATA READER (DDR)  
RECEPTACLE ..... 29

DIAGNOSTIC TROUBLESHOOTING CODES  
(DTC) - ALLISON 4<sup>TH</sup> GENERATION  
CONTROLS ..... 131

    ALLISON TRANSMISSION DIAGNOSTIC  
    TROUBLESHOOTING CODES (DTC) AND  
    DESCRIPTIONS ..... 134

## 150 Index

---

ALLISON TRANSMISSION OIL LEVEL CHECK USING THE PUSH-BUTTON SHIFT SELECTOR.....	137
DIAGNOSTIC CODE DISPLAY AND CLEARING PROCEDURE - ALLISON 4 <sup>TH</sup> GENERATION CONTROLS .....	132
DIAGNOSTIC CODE RESPONSE .....	133
DIAGNOSTIC CODES – ALLISON 4 <sup>TH</sup> GENERATION CONTROLS.....	131
DIAGNOSTIC TROUBLESHOOTING CODES (DTC) OVERVIEW .....	131
DIMENSIONS AND WEIGHTS.....	116
DRIVER CONTROLLED DIFFERENTIAL LOCK (DCDL).....	67
LOCKING THE DCDL .....	68
OPERATION TIPS .....	67
UNLOCKING THE DCDL .....	68
DRIVER'S SEAT – ISRI .....	15
MECHANICAL ISRI SEAT.....	15
PNEUMATIC ISRI SEAT .....	16
SAFETY BELTS .....	17
DRIVING MODE MENU .....	59
FAULT ? MENU (Fault messages).....	60
FUEL ECONOMY MENU .....	59
GAUGE MODE MENU .....	59
TIME / DIST MENU .....	59

## E

ELECTRICAL SYSTEM .....	118
ELECTRONIC DESTINATION SIGN.....	14
EMERGENCY AIR-FILL VALVES .....	89
EMERGENCY AND PARKING BRAKES .....	90
EMERGENCY EQUIPMENT.....	85
FIRE EXTINGUISHERS .....	85, 102
FIRE HATCHET .....	86
FIRST AID KIT .....	86
JACK AND TOOLS.....	86
LIMP-HOME BELT .....	86
SPARE PARTS KIT.....	86
WARNING REFLECTORS .....	86
EMERGENCY EXITS.....	84
EMERGENCY ENTRANCE DOOR OPENING .....	85

ROOF HATCH.....	84
SIDE WINDOWS .....	84
EMERGENCY/PARKING BRAKES OVERRULE CONTROL VALVE.....	29
ENGINE BLOCK HEATER.....	83
ENGINE COMPARTMENT COMPONENTS....	5
ENGINE COMPARTMENT .....	6
ENGINE COMPARTMENT CURB-SIDE DOOR .....	6
ENGINE COMPARTMENT REAR DOORS.....	6
ENGINE RADIATOR DOOR.....	7
ENGINE TROUBLESHOOTING GUIDE .....	112
ENGINE WARM-UP.....	83
ENGINE .....	117
ENTRANCE DOOR .....	11
DOOR OPERATION LOGIC .....	12
EMERGENCY ENTRANCE DOOR OPENING .....	12
EVAPORATOR COMPARTMENT.....	8
EXTERIOR LIGHTING VERIFICATION .....	107

## F

FIRST SERVICE ON NEW VEHICLE .....	108
ALLISON AUTOMATIC TRANSMISSION FLUID FILTER.....	108
COOLANT SYSTEM STRAINER .....	108
ENGINE OIL.....	108
FLUID LEVEL VERIFICATION .....	98
ALLISON AUTOMATIC TRANSMISSION OIL LEVEL .....	98
COOLANT FLUID LEVEL.....	101
DRIVE AXLE WHEEL BEARING OIL LEVEL..	101
ENGINE OIL LEVEL.....	98
FRONT AND TAG AXLE WHEEL HUBS .....	101
POWER STEERING FLUID LEVEL .....	100
RADIATOR FAN GEARBOX OIL LEVEL .....	100
TRANSMISSION OIL LEVEL .....	98
WINDSHIELD WASHER & HEADLIGHTS WASHER RESERVOIR.....	101
ZF-ASTRONIC TRANSMISSION OIL LEVEL .....	99
FOG LIGHTS .....	91
FOOT-OPERATED CONTROLS.....	46
ACCELERATOR PEDAL.....	47

BRAKE PEDAL .....46  
 FOREWORD.....1  
 FRONT ELECTRICAL AND SERVICE  
 COMPARTMENT .....8  
 FUEL FILLER DOOR.....11  
 FUEL TYPE.....116

**G**

GALLEY .....22  
 GENERAL RECOMMENDATIONS .....108

**H**

HEATING AND AIR CONDITIONING .....119  
 HI-BUOY .....68  
 HORN.....45  
     AIR HORN.....45  
     ELECTRIC HORN .....45  
 HUBODOMETER.....13

**I**

IGNITION SWITCH.....24  
 INDEX .....149  
 IN-STATION LIGHTING.....69  
 INSTRUMENT CLUSTER.....38  
     DASHBOARD GAUGES .....38  
     MESSAGE CENTER DISPLAY (MCD) .....38

**J**

JACKING POINTS .....88  
     HYDRAULIC JACK.....89  
 JACOBS ENGINE BRAKE.....67

**K**

KEYS.....23  
     ENTRANCE DOOR AND EXTERIOR  
     COMPARTMENT DOORS KEY .....23  
     HAND TOWEL DISPENSER KEY.....23  
     IGNITION KEY .....23  
     LAVATORY DOOR KEY .....23  
     TV MONITOR KEY .....24  
     UTILITY AND VIDEO COMPARTMENT KEY ...23  
     UTILITY COMPARTMENTS KEY.....23

KNEELING SYSTEM.....68

**L**

LATERAL CONTROL PANEL .....26  
     12-VOLT APPLIANCES SOCKET .....29  
     ASHTRAY .....29  
     CIGARETTE LIGHTER .....29  
     COOLANT HEATER TIMER .....28, 70  
     CRUISE CONTROL SWITCHES.....27  
     LOW BUOY CONTROL VALVE .....28  
     MIRROR CONTROLS .....28  
     PARKING BRAKES CONTROL VALVE.....28  
     POWER WINDOW SWITCH .....28  
     TAG AXLE CONTROL VALVE .....28  
     TRAILER AIR SUPPLY CONTROL VALVE .....29  
     TRANSMISSION CONTROL PAD .....27  
     UTILITY COMPARTMENT .....29

LAVATORY MAINTENANCE .....96  
     CLEANING CABINET.....97  
     DRAINING THE AUXILIARY SUMP TANK .....97  
     DRAINING THE MAIN SUMP TANK.....97  
     FILLING THE MAIN SUMP TANK.....97  
     FRESH WATER RESERVOIR .....96

LAVATORY.....22  
 LIGHT BULB DATA .....144  
 LOW-BUOY .....69

**M**

MESSAGE CENTER DISPLAY (MCD) .....58  
 MICROPHONE JACKS .....18  
 MUD FLAPS AND SPLASH GUARDS .....91

**N**

NON-DRIVING MODE MENU.....60  
     DATA LOG MODE MENU .....65  
     FAULT DIAGNOSTIC MENU .....63  
     PART NUMBER .....64  
     PASSWORDS .....65  
     SET UP MODE MENU .....60  
     STATUS TEST .....64  
     SYSTEM DIAGNOSTIC MENU .....62

## 152 Index

---

### O

OIL SPECIFICATIONS .....	119
ALLISON TRANSMISSION .....	119
DIFFERENTIAL .....	119
ENGINE .....	119
FAN GEARBOX .....	119
POWER STEERING RESERVOIR .....	120
ZF-ASTRONIC AUTOMATIC TRANSMISSION .....	119

### OTHER FEATURES..... 57

### OTHER PRECAUTIONS.....3

### OTHER VERIFICATIONS..... 101

A/C AND HEATING SYSTEM AIR FILTERS...	103
AIR FILTER RESTRICTION INDICATOR .....	103
AIR TANK PURGE .....	101
BACK-UP CAMERA .....	103
BELT TENSION ADJUSTMENT.....	102
DRIVER'S AREA FILTER.....	104
FIRE EXTINGUISHERS .....	102
FUEL FILTER / WATER SEPARATOR.....	102
HOSE INSPECTION .....	104
LUBRICATION .....	104
PASSENGERS AREA AIR FILTER.....	104

### OVERHEAD COMPARTMENTS .....21

### OVERHEAD CONSOLE ..... 19 |

ADJUSTABLE AIR REGISTERS.....	20
READING LIGHTS .....	20
SERVICE BELL.....	20

### P

### PASSENGER SEATS.....18

CARD TABLES .....	19
FOLDING TRAYS.....	18
QUICK-LOUNGE SYSTEM .....	19
SWIVEL SEATS .....	18

### PLATES AND CERTIFICATION..... 145

DOT CERTIFICATION PLATE .....	146
EPA ENGINE LABEL .....	146
SAFETY CERTIFICATION .....	145

### PRE-HEATING SYSTEM..... 120

### PRODRIVER™ ..... 66 |

### R

### REAR ELECTRICAL COMPARTMENT ..... 9 |

### REAR VIEW MIRRORS..... 12 |

### RETRACTABLE TAG AXLE ..... 69 |

### ROUTINE INSPECTION..... 105 |

WITH ENGINE RUNNING .....	106
WITH ENGINE STOPPED .....	105

### S

### SAFE OPERATING PRACTICES..... 2 |

### SAFETY FEATURES AND EQUIPMENT ..... 84 |

### SAFETY PRECAUTIONS ..... 2 |

### SCENIC VIEWING SYSTEM CAMERA ..... 29 |

### SPARE WHEEL AND TIRE ..... 87 |

CHANGING A WHEEL .....	87
------------------------	----

### SPARE WHEEL COMPARTMENT..... 10 |

### STARTING AND STOPPING PROCEDURES ..... 80 |

### STARTING THE ENGINE..... 80 |

COLD WEATHER STARTING .....	81
JUMP STARTING.....	81
STARTING FROM THE DRIVER'S SEAT.....	80
STARTING FROM THE ENGINE COMPARTMENT .....	80

### STEERING COLUMN CONTROLS..... 44 |

MULTI-FUNCTION LEVER .....	44
----------------------------	----

### STEERING WHEEL ADJUSTMENT ..... 14 |

### STEERING..... 118 |

### SUSPENSION ..... 118 |

DRIVE AXLE .....	118
I-BEAM AXLE FRONT SUSPENSION .....	118
INDEPENDENT FRONT SUSPENSION .....	118
TAG AXLE.....	118

### T

### TECHNICAL INFORMATION..... 114 |

### TELLTALE PANEL..... 40 |

TOUR GUIDE SEAT ..... 18

TOWING.....89

TRANSMISSION ..... 117

    ALLISON TRANSMISSION ..... 117

    ZF-ASTRONIC TRANSMISSION ..... 117

**U**

UNLOADING TAG AXLE .....69

UTILITY COMPARTMENTS ..... 14

**V**

VEHICLE IDENTIFICATION  
NUMBER (VIN) ..... 146

VENTILATION HATCH .....21

**W**

WALK-AROUND INSPECTION  
(BEFORE EVERY TRIP)..... 109

WASTE CONTAINER .....22

WHEELCHAIR LIFT ACCESS DOORS..... 12

WHEELCHAIR LIFT SYSTEM .....73

    EMERGENCY OPERATION .....77

    INTERIOR APPOINTMENTS .....75

    OPERATING THE WHEELCHAIR LIFT .....73

    THRESHOLD WARNING SYSTEM (TWS)  
    ADJUSTMENT .....74

    WHEELCHAIR LIFT AND ACCESS DOORS....73

    WHEELCHAIR LIFT INSTALLATION.....79

    WHEELCHAIR LIFT REMOVAL FOR STORING  
    OR MAINTENANCE PURPOSES .....78

WHEELS AND TIRES ..... 116

    RECOMMENDED TIRE INFLATION  
    PRESSURE AT MAXIMUM COLD LOAD ..... 116

WINDOWS .....20

    DRIVER'S POWER WINDOW.....21

    PANORAMIC WINDOWS .....20

**Z**

ZF-ASTRONIC AUTOMATIC  
TRANSMISSION .....49

    ACCELERATOR PEDAL.....50

    AUTOMATIC MODE.....50

CHANGING BETWEEN MANUAL MODE  
AND AUTOMATIC MODE ..... 52

CHANGING DIRECTION OF TRAVEL  
(FROWARD / REVERSE) .....53

CHANGING GEAR .....52

CLUTCH PROTECTION .....54

CORRECTING THE STARTING GEAR.....51

DISPLAY .....49

DRIVING TIPS .....50

EASY START SYSTEM .....50

ENGINE OVERSPEED PROTECTION .....54

INDICATOR LIGHT .....49

MANEUVERING MODE .....51

MANUAL MODE.....50

RANGE SELECTOR KEYPAD .....49

REVERSING .....53

SETTING OFF, FORWARD TRAVEL .....51

STARTING THE ENGINE .....50

STARTING TO ROLL ON SLOPES .....51

STOPPING VEHICLE.....53

SWITCHING OFF ENGINE / PARKING  
VEHICLE .....54

TOWING.....54

    ZF-ASTRONIC DISPLAY .....55

ZF-ASTRONIC TRANSMISSION – STARTING  
THE VEHICLE AT LOW TEMPERATURES... 83

ZF-ASTRONIC TRANSMISSION SYSTEM  
FAULTS AND ERROR MESSAGES ..... 137

    ERROR CODES.....139

    SYSTEM FAULTS (ERROR MESSAGES)..... 137