

PREVOST

Instruction Sheet

IS-01147A

TRANSMISSION OIL COOLER REPLACEMENT FOR VEHICLES EQUIPPED WITH A TRANSMISSION RETARDER

Revision: A 500786 replaced by 502882, 502818 replaced by 502888, 500468 re- 06/19/2024
placed by 500913, 5001760 replaced by 5001727

MATERIAL

Part No.	Description	Qty
373903	Replacement line only for W5 MTH equipped with small A/C	1

Part No.	Description	Qty
373895	Replacement line only for X5 and W5 vehicles equipped with large A/C	1

Kit #071269 includes the following parts:

Part No.	Description	Qty
061129	SUPPORT	1
071250	HOSE 102 mm LG	4
071254	BRACKET OIL COOLER	1
071255	PIPE COOLANT	1
071256	PIPE COOLANT	1
071258	SUPPORT OIL COOLER (WELDED)	1
071260	SUPPORT HOSE	1
071265	BRACKET, OIL COOLER	2
071266	HOSE, 1555 mm LG ASS.	1
071267	HOSE, 1481 mm LG ASS.	1
500470	WASHER LOCK SPLIT Z050 .193X.334X.047 (M4,#10)	7
500579	SCREW MA RND PH Z050 10-24X1 3/4	3
500829	SCREW, CAP HEX Z050 M10X40 G8.8	2
500913	WASHER FL N500 .281X1.25X.065 (M7,1/4)	2
500964	WASHER FL Z050 .203X.500X.047 (M5,#10)	5
501575	A ST #20BMX#20JM	2
502621	NUT HEX STOVER Z050 M6-1.0	2
502882	NUT HEX N500 10-24	7

502888	SCREW, CAP HEX N500 M6-1X35 G8.8	2
504562	CLAMP HOSE CT BREEZE 70-92	8
571779	COOLER, OIL SIMPLE CIRCUIT	1
952641	CLAMP P STL ZP RUB 34.9 ID	6
5001727	NUT HEXF STOVER N500 M10 CL10	7
5001741	SCREW, CAP HEXF N500 M10-1.5 X 30 G8.8	9
5011065	A 90 #20BMX#20JM	2
FI-01147	FEUILLE INSTRUCTION	1
IS-01147	INSTRUCTION SHEET	1

1ST PART: REMOVAL

PROCEDURE

Warning : Park vehicle safely, apply parking brake, stop engine and set battery master switch(es) to the OFF position prior to working on the vehicle.

1. Open engine compartment door.
2. Remove engine belts.
3. Remove fan gearbox if necessary.
4. Unfasten transmission oil cooler "U" bolts.
5. Remove oil cooler water hose clamps then water hoses.

Note : A significant amount of water or oil may escape from fittings upon removal.

6. Unfasten both oil hose fittings then remove hoses connecting transmission to cooler.
7. Remove if necessary, the cooper piping located alongside oil cooler
8. Remove oil cooler.

Note : Remove oil cooler support nuts to facilitate oil cooler removal.

2ND PART: INSTALLATION

ALL H3 OR XL2 VEHICLES

1. Install and secure two oil cooler "C" brackets (071265) onto main support.
2. Install oil cooler bracket (071258).

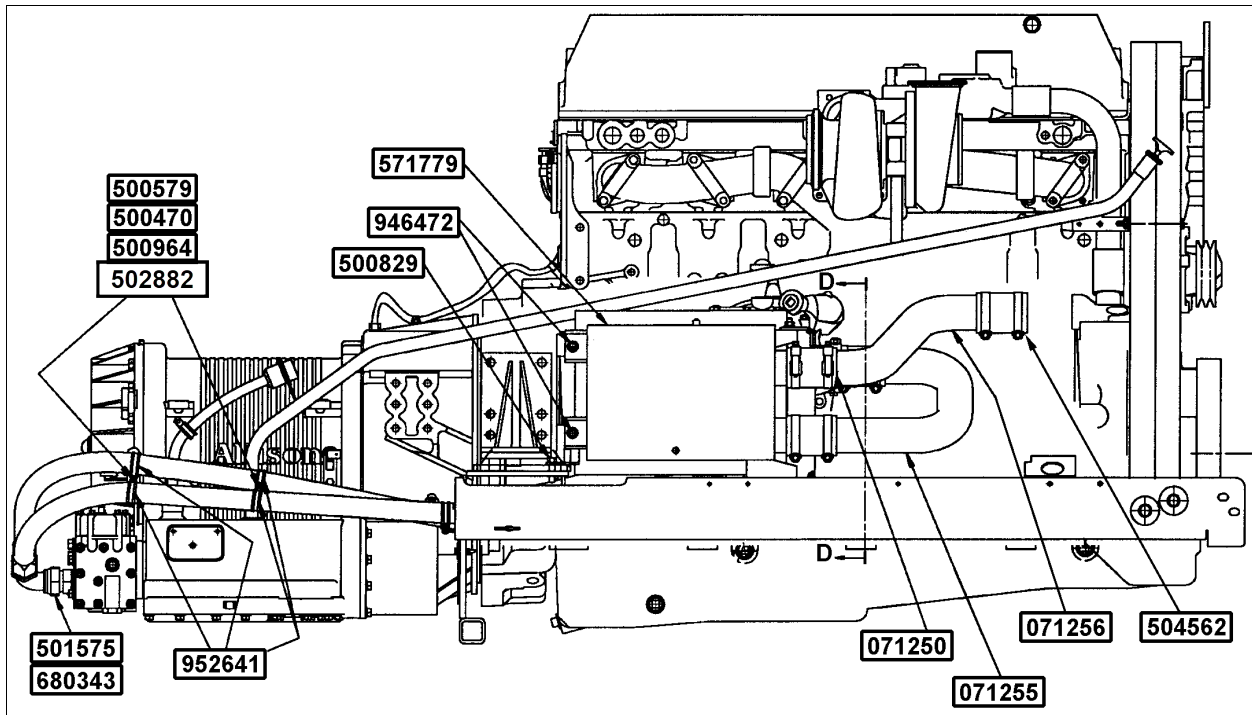


FIGURE 1

Note : Use a gin (loading tripod) to facilitate the operation.

3. Install new oil cooler (571779) onto "C" brackets.
4. Install oil and water hose fittings onto oil cooler.
5. Connect oil hose fittings to transmission.
6. Install various parts as indicated in figures1 to 5.

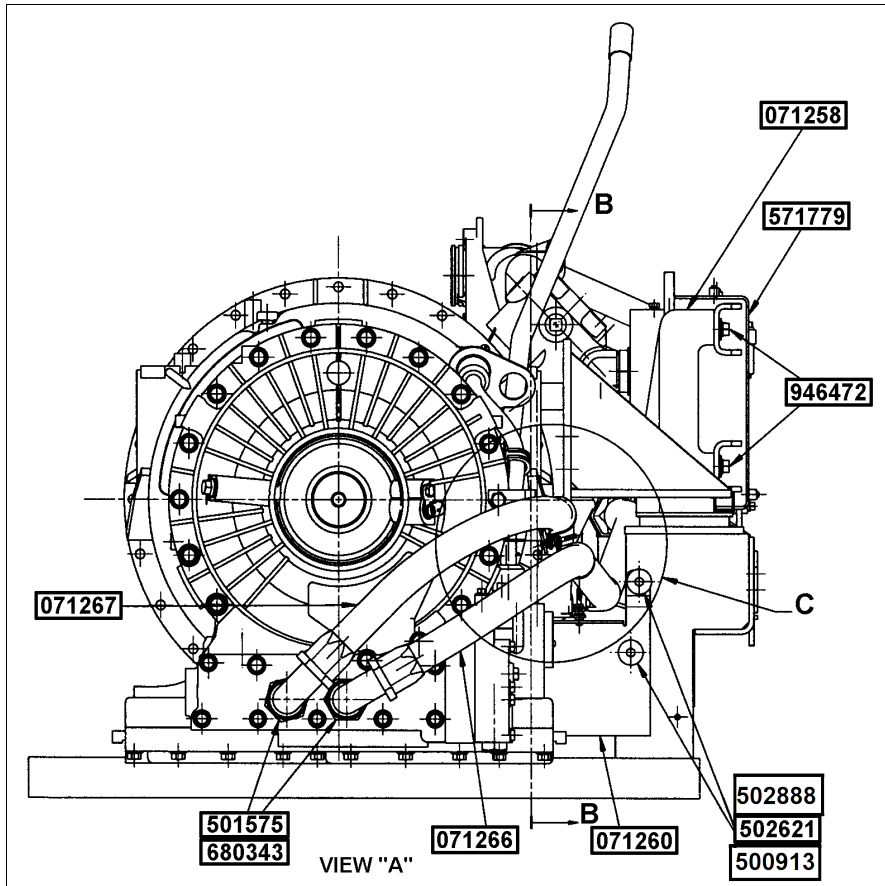


FIGURE 2

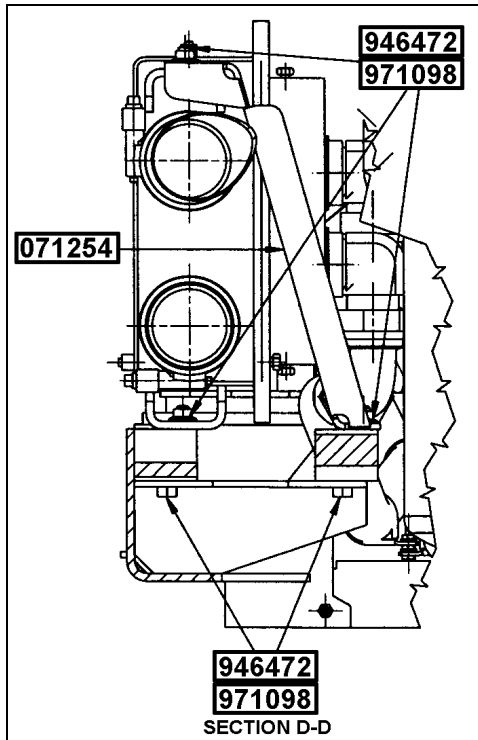


FIGURE 3

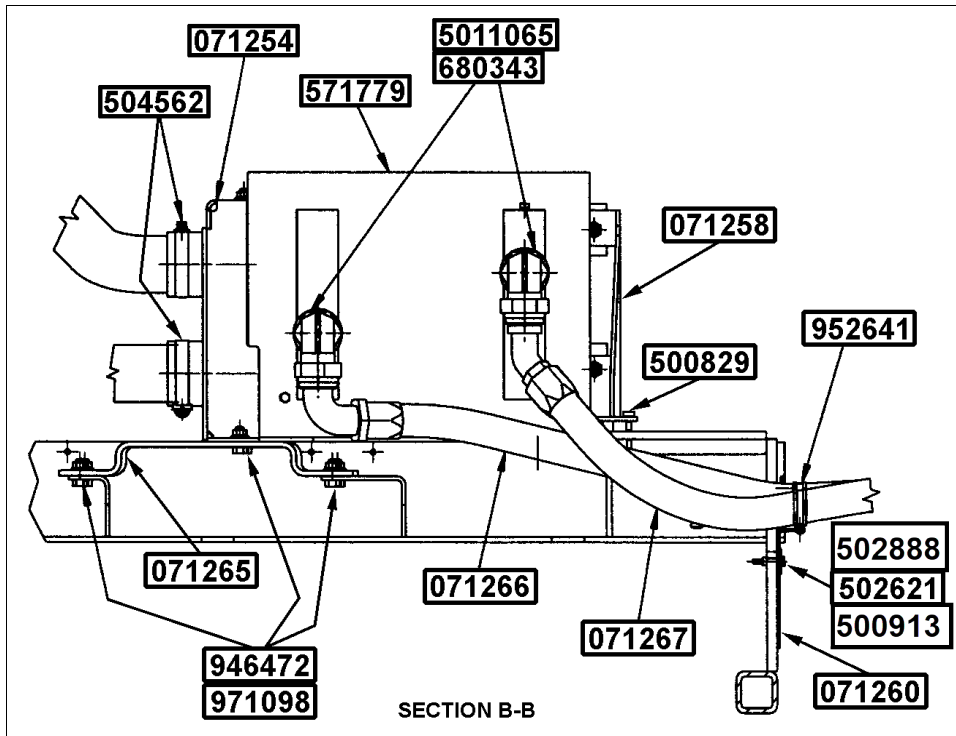


FIGURE 4

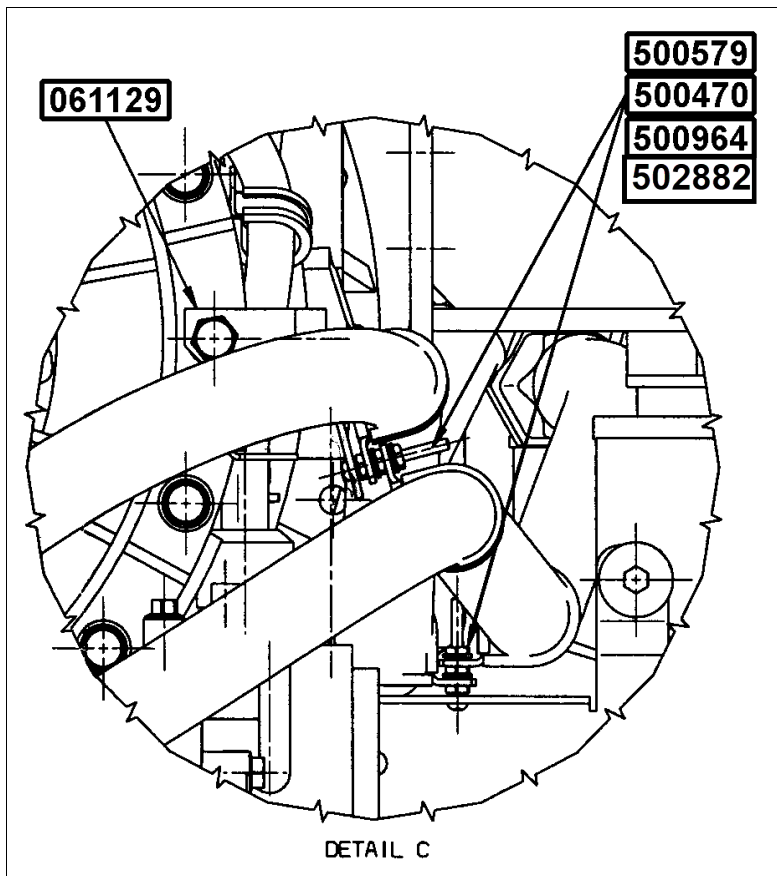


FIGURE 5

XL2 VEHICLES (W5 AND X5) EQUIPPED WITH LARGE CAPACITY A/C SYSTEM

In addition to steps 1 to 5 described in PART 2, you must install replacement line (373895) as indicated in figures 6 and 7.

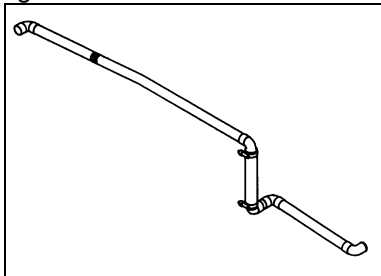


FIGURE 6 : REPLACEMENT LINE 373895

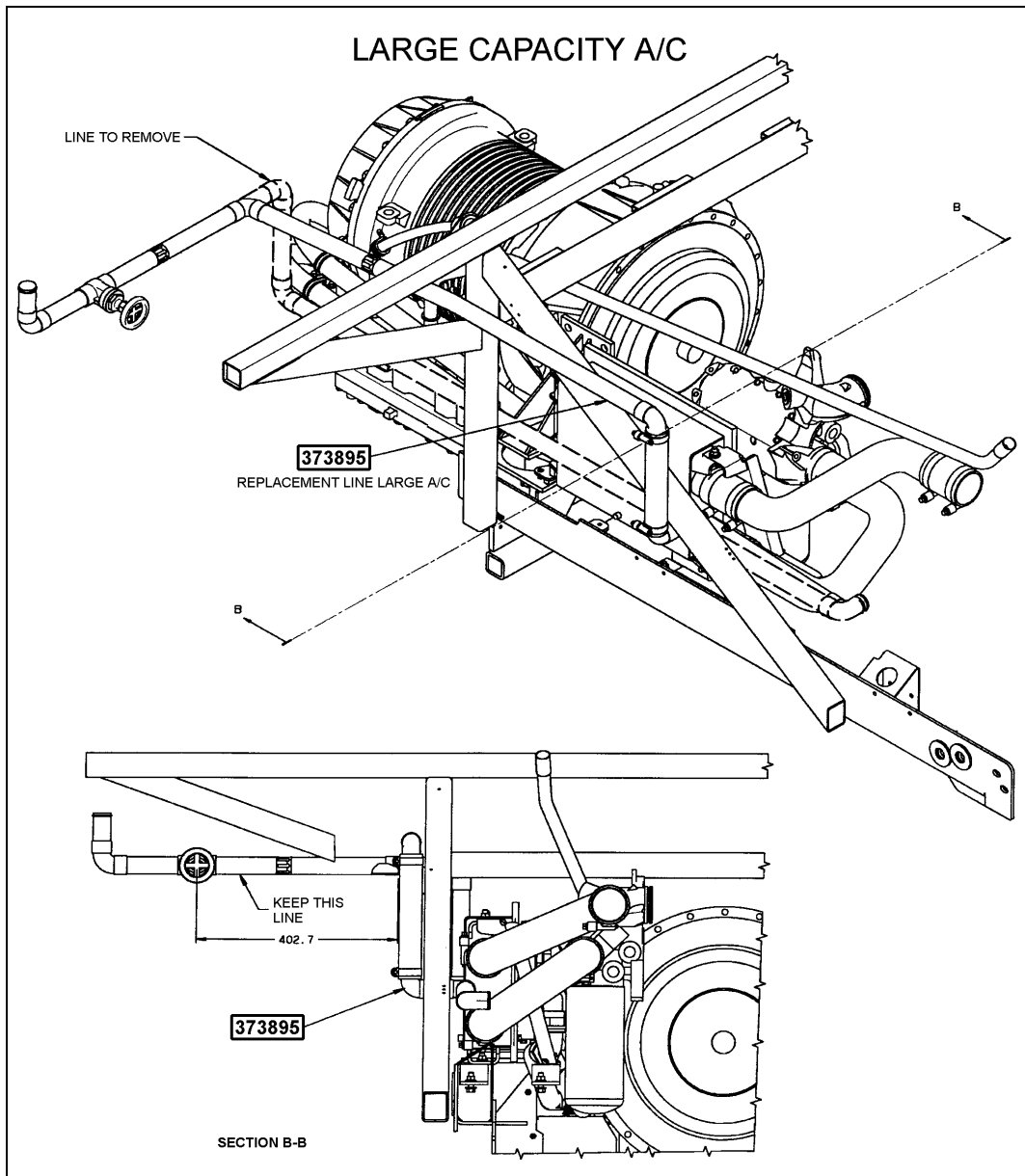


FIGURE 7

XL2 VEHICLES (W5) EQUIPPED WITH SMALL CAPACITY A/C SYSTEM

In addition to steps 1 to 5 described in PART 2, you must install replacement line (373903) as indicated in figures 8 and 9.

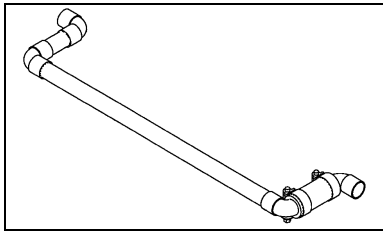


FIGURE 8 : REPLACEMENT LINE 373903

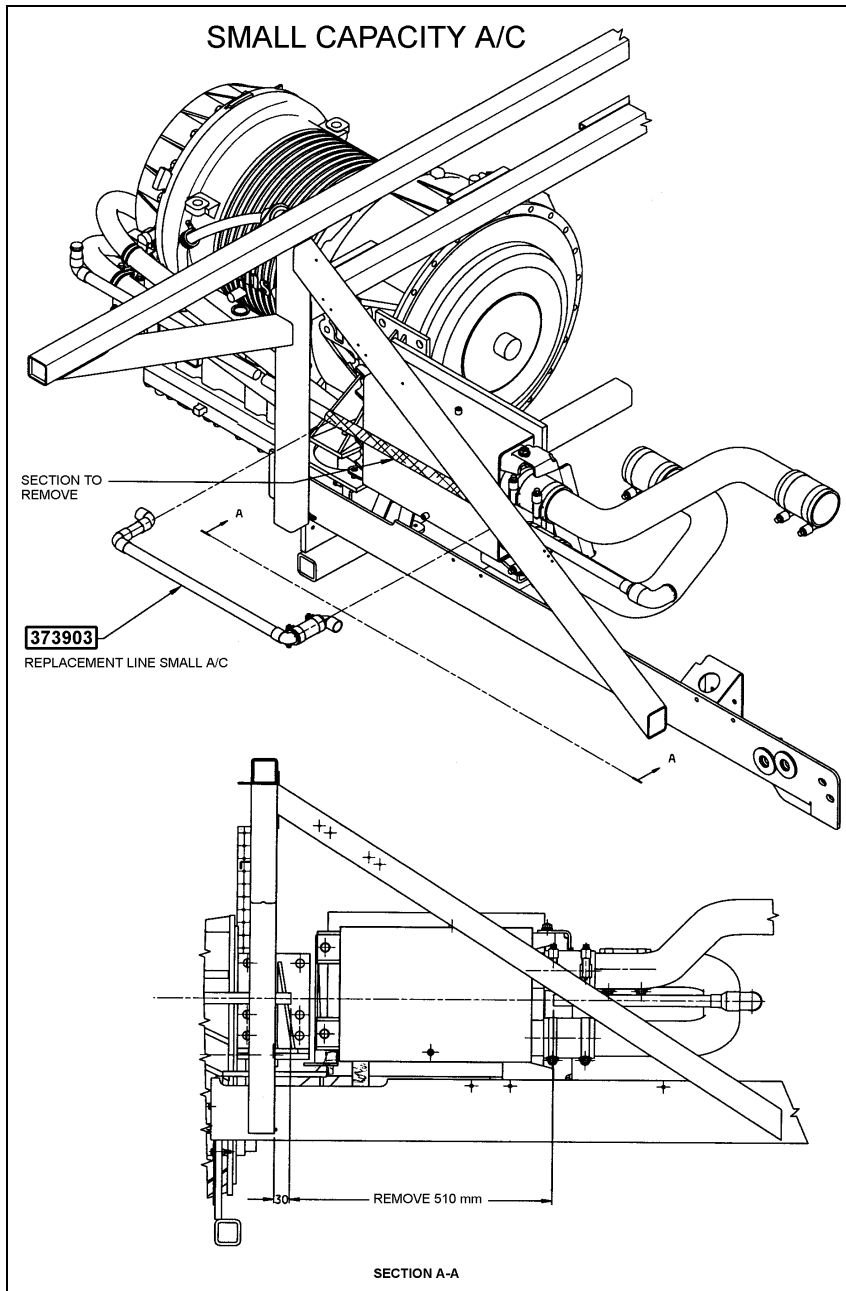


FIGURE 9