

PREVOST

WARRANTY BULLETIN

WB23-32C


DATE:	December 2023	SECTION:	06 ELECTRICAL
EXPIRATION:	December 2025		
SUBJECT:	HEADLAMP REPLACEMENT		

Revision: C

Vehicle VIN range change

07-09-2024

APPLICATION



NOTICE TO SERVICE CENTERS	
<i>Verify vehicle eligibility by checking warranty bulletin status with SAP or via ONLINE WARRANTY SYSTEM available on Service / Warranty tab of Prevost website.</i>	
Model	VIN
H3-45 VIP motorhomes Model Year: 2022	 2PCVS3498NC721211, 2PCV33490NC721247, 2PCVS3491NC721258, 2PCVS349XNC721274, 2PCVS3491NC721308
H3-45 VIP motorhomes Model Year: 2023 - 2024	From 2PCVS3499PC721348 up to 2PCVS3492RC721677 incl.
H3-45 coaches Model Year: 2023	2PCH33490PC721359, 2PCH33496PC721382, 2PCH33498PC721402, 2PCH33494PC721431
H3-45 coaches Model Year: 2024	From 2PCH3349XRC721453 up to 2PCH33498RC721712 incl.
This bulletin does not necessarily apply to all the above-mentioned vehicles, some vehicles may have been modified before delivery. The owners of the vehicles affected by this bulletin will be advised by a letter indicating the Vehicle Identification Number (VIN) of each vehicle concerned.	

DESCRIPTION

On the vehicles affected by this bulletin, headlamps may have a premature deterioration of the aesthetics of the internal surface. This issue has no impact on the performance and quality of the headlamp. See procedures for replacement by improved headlamps.

MATERIAL

Order the following parts:

Part No.	Description	Qty
930054-NS	HEADLAMP RH IRIS2 	1
930055-NS	HEADLAMP LH IRIS2 	1

NOTE

Material can be obtained through regular channels.

SAFETY PRECAUTIONS

- Eye protection should always be worn when working in a shop.
- Rules for Personal Protection Equipment should always be respected. Wear your PPE including but not limited to the following:



Safety First!



PROCEDURE



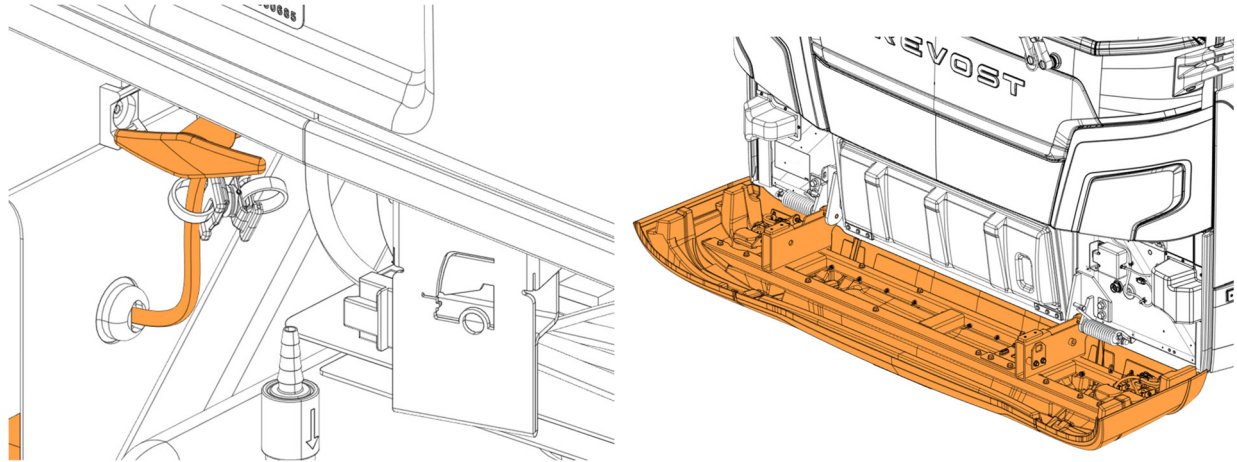
DANGER

Park vehicle safely, apply parking brake, stop the engine. Prior to working on the vehicle, set the ignition switch to the OFF position and trip the main circuit breakers equipped with a trip button. On the Commuter type vehicles, set the battery master switch (master cut-out) to the OFF position.

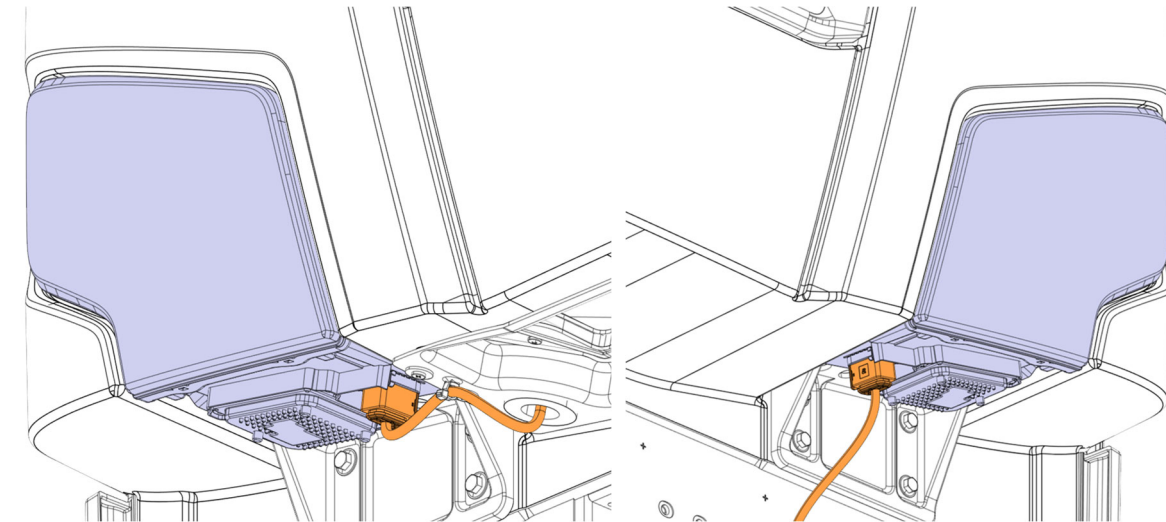
Lockout & Tag out (LOTO) must be performed during set-up, maintenance or repair activities. Refer to your local procedure for detailed information regarding the control of hazardous energy.

REMOVE OLD HEADLAMPS

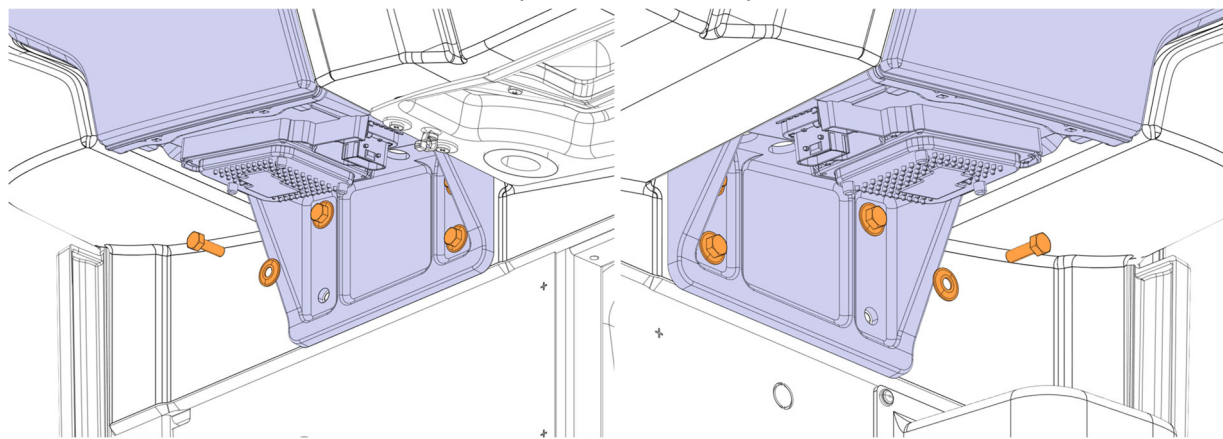
1. Open front service door and pull the handle to open spare compartment.



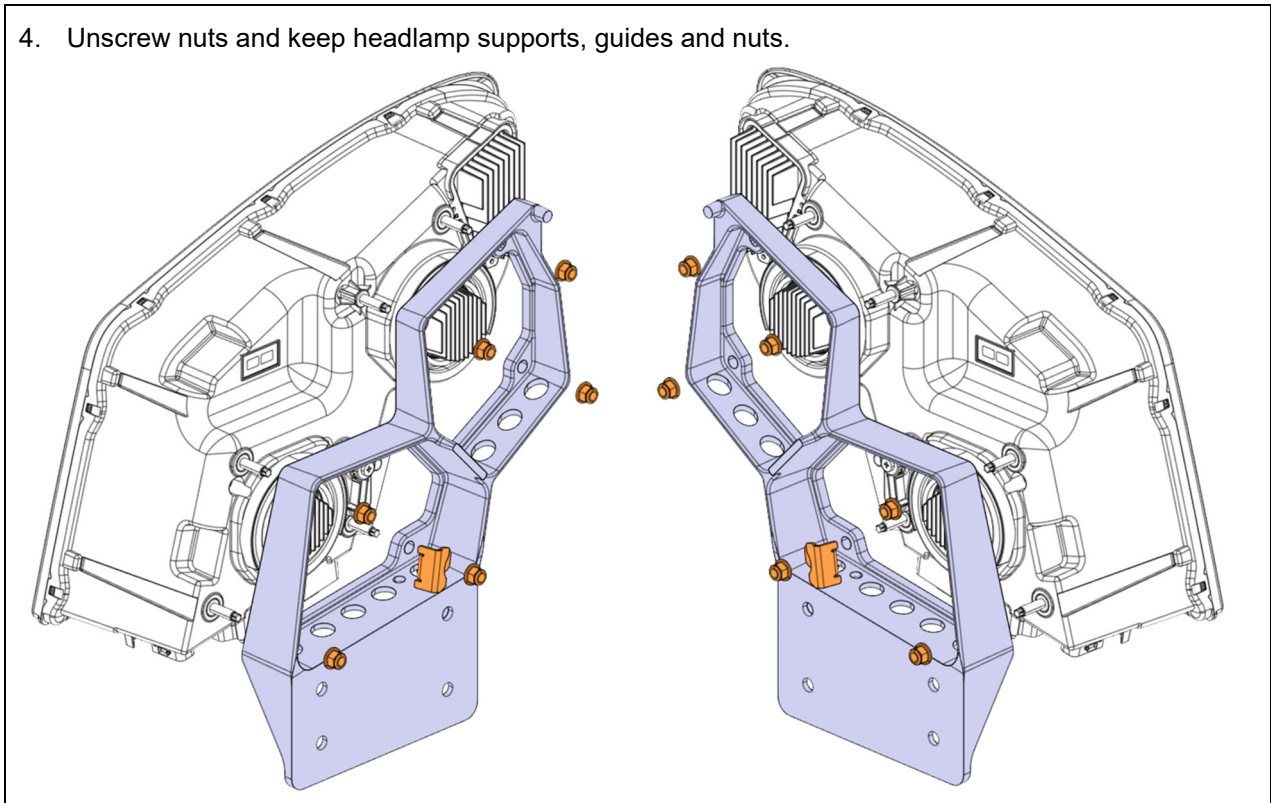
2. Unplug both headlamps.



3. Unscrew bolts and washers of headlamps assemblies, keep hardware.

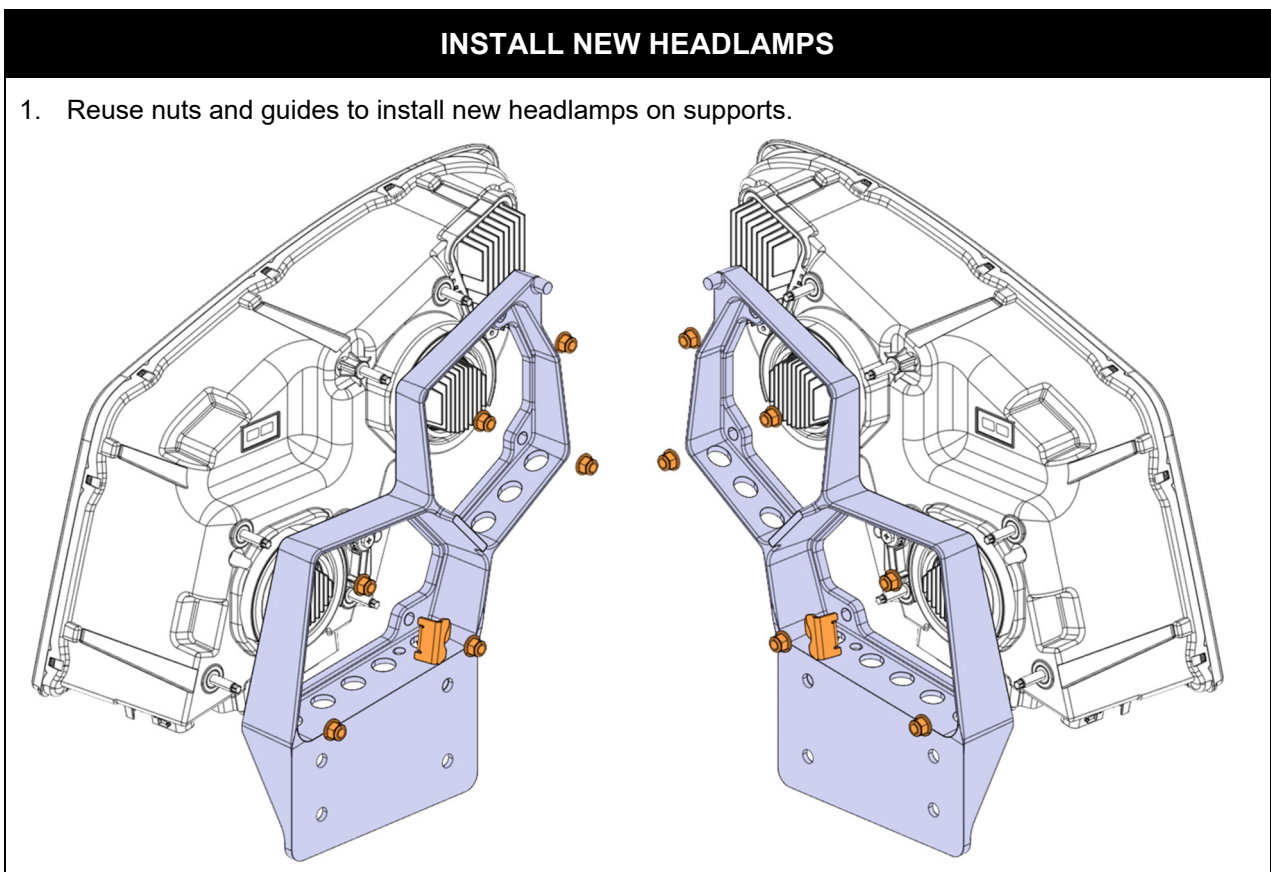


4. Unscrew nuts and keep headlamp supports, guides and nuts.

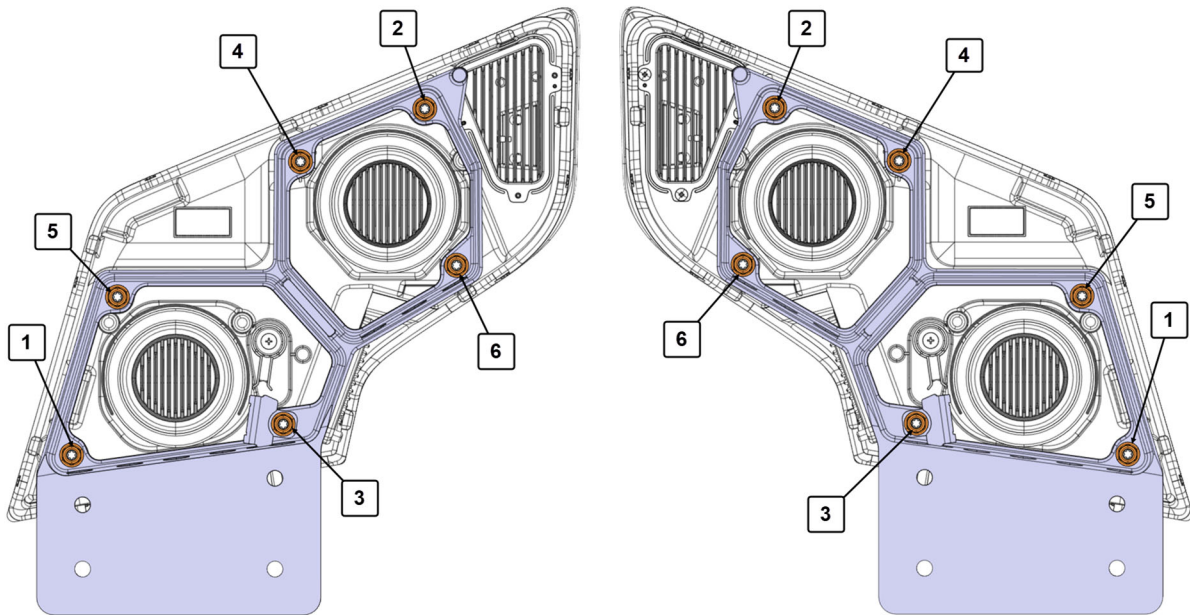


INSTALL NEW HEADLAMPS

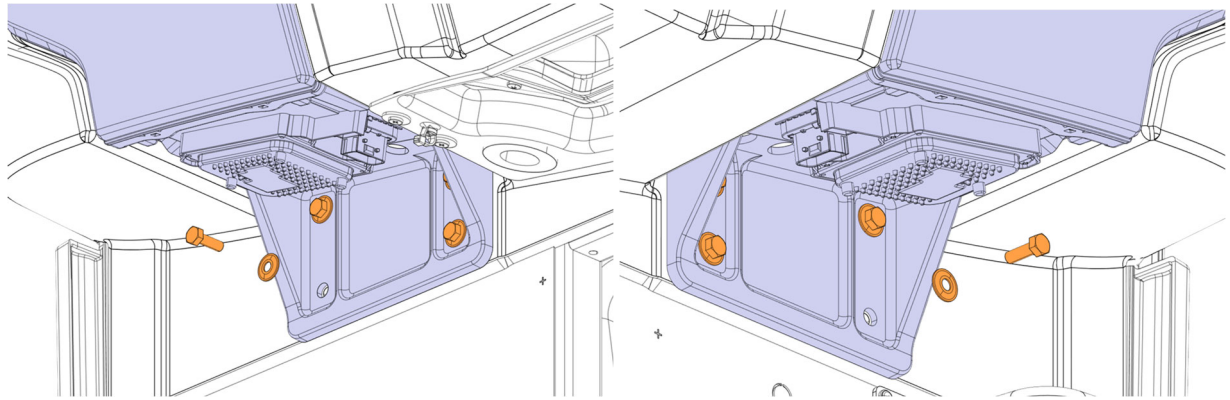
1. Reuse nuts and guides to install new headlamps on supports.



2. Perform the final tightening with a torque of 14lb-ft tightening with the sequences 1 to 6

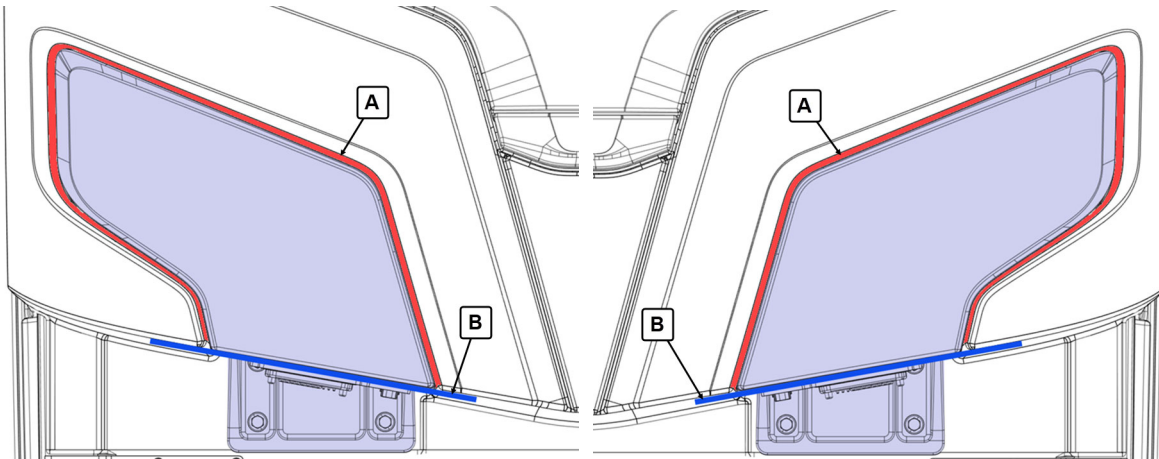


3. Reuse bolts and washers to install headlamps assemblies. Tighten so that the headlamps hold in place, the final tightening will be done after adjustment.

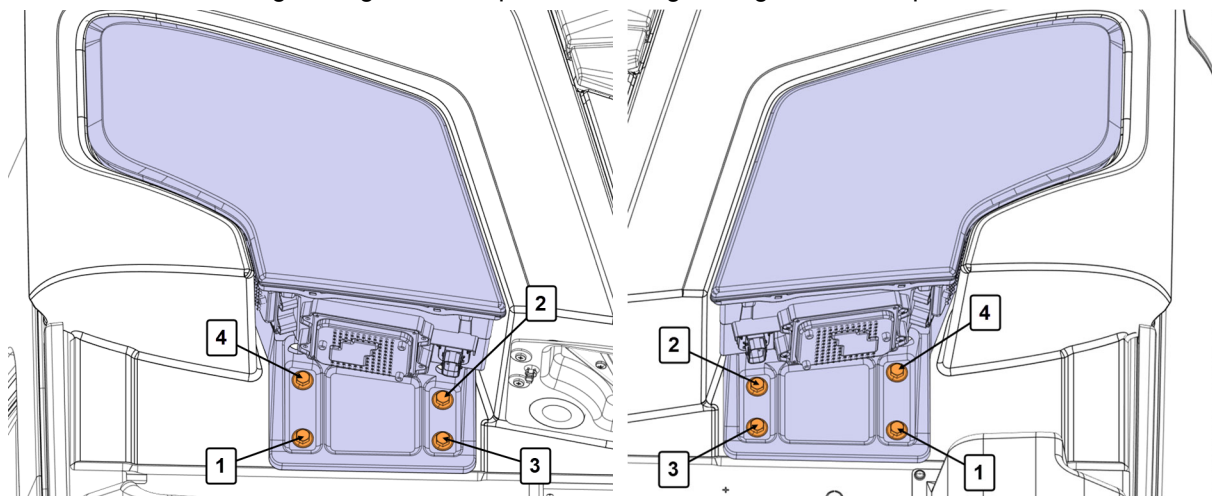


4. Headlamps adjustment with the bolts slightly tightens, center headlight in the opening to distribute the play evenly on each side.

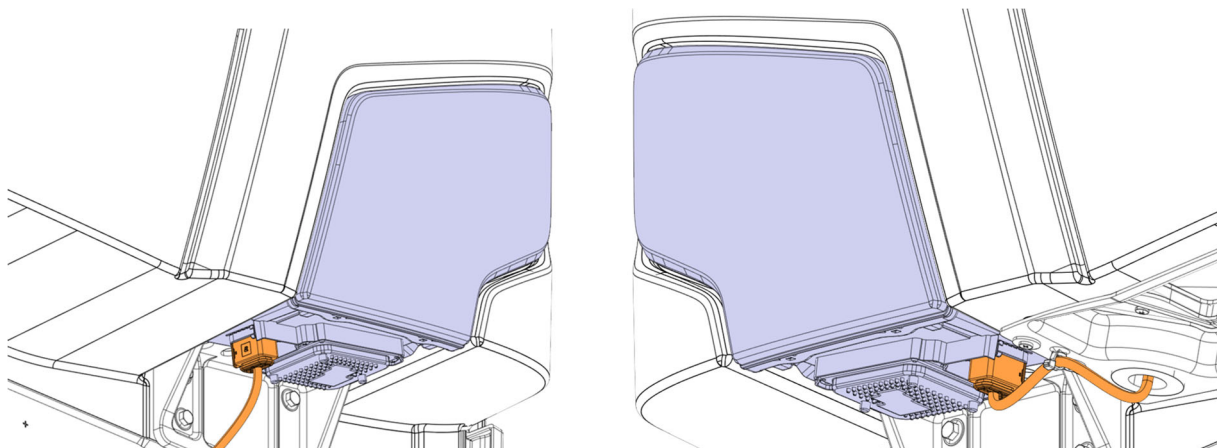
Reference	Value	Tolerance
A play	centered	± 1.5 mm
B straightness	0 mm	± 3 mm



5. Perform the final tightening with a torque of 14lb-ft tightening with the sequences 1 to 4



6. Plug both headlamps.



HEADLAMPS AIM

1. For HEADLAMPS ADJUSTMENT refer to Section 06: ELECTRICAL of your Maintenance Manual.

PARTS / WASTE DISPOSAL

All replaced parts must be returned to Prevost according to the Return Shipping Instructions available on <https://www.prevostcar.com/content/warranty-documents> for full reimbursement. A copy of the warranty claim form must be enclosed with the shipment.

Discard waste according to applicable environmental regulations (Municipal/State[Prov.]/ Federal)

WARRANTY

This modification is covered by Prevost's normal warranty. We will reimburse you the parts and one hour (1.0) of labor upon receipt of a warranty claim. Please submit claim via our Online Warranty System, available at www.prevostcar.com (under Service \ Warranty section). Use Claim Type: "Bulletin/Recall" and select "Warranty Bulletin WB23-32C".

OTHER

VBC Bulletin	N/A
Fail Code	06.05
Defect Code	09
Syst. Cond	B
Causal Part	930027

Access all our Service Bulletins on
<http://techpub.prevostcar.com/en/>
or scan the QR-Code with your smart phone.



Are you a Vehicle owner? E-mail us at technicalpublications_prev@volvo.com and type "ADD" in the subject to receive warranty bulletins applicable to your vehicle(s) by e-mail.