

PREVOST

Instruction Sheet

IS-21104A

LOW BEAM LED HEADLAMP X3 UP TO K-6492

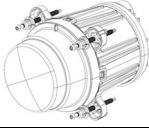
Revision: A

PART NUMBER CHANGE

01-31-2025

MATERIAL

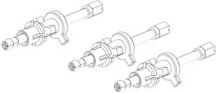

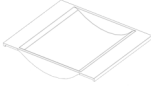

Order the following parts:

Part No.	Description	Qty
930074	LOW BEAM LED PREMIUM HEADLIGHT 	2

And order kit #**IS21104** includes the following parts:

Part No	Description	Qty
430259	SERVICE KIT LED HEAD LAMP	1
IS-21104	INSTRUCTION SHEET	1
FI-21104	FEUILLE D'INSTRUCTION	1

Contain of kit #**430259** includes the following parts:

Part No	Description	Qty
930373	FIXATION ADJUSTING SCREW KIT 	2
0610603	WIRING HARNESS, LED HEAD LAMPS 	2
430242	BOTTOM, HEAD LAMP 	2
430252	BACK GUARD, HEAD LAMP 	2

Other parts that may be required:

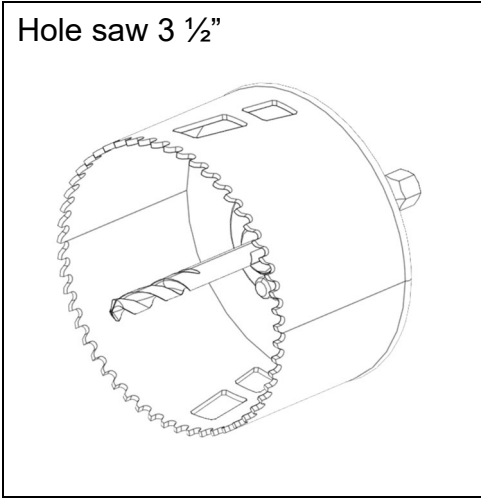
Part No.	Description	Qty
680537	GLUE, PLEXUS MA830GB, 490 ML	AR
687959	PRIMER TEROSTAT 450, 1 LITER	AR

NOTE

Material can be obtained through regular channels.

SPECIAL TOOL

Hole saw 3 1/2"



SAFETY PRECAUTIONS

- Eye protection should always be worn when working in a shop.
- Rules for Personal Protection Equipment should always be respected. Wear your PPE including but not limited to the following:



Safety First!



PROCEDURE



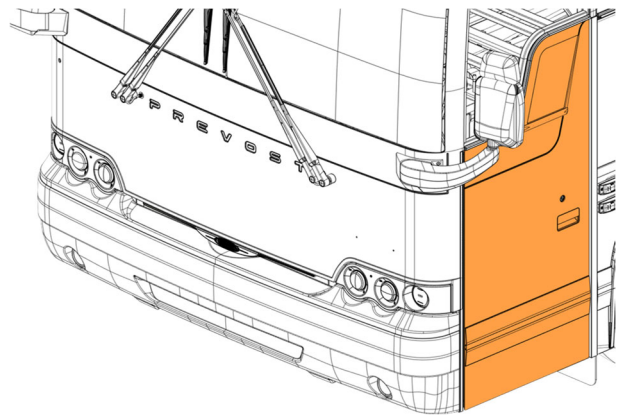
DANGER

Park vehicle safely, apply parking brake, stop engine. Prior to working on the vehicle, set the ignition switch to the OFF position and trip the main circuit breakers equipped with a trip button. On Commuter type vehicles, set the battery master switch (master cut-out) to the OFF position.

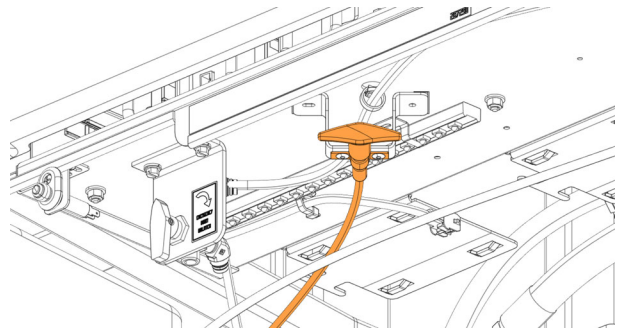
Lock out & Tag out (LOTO) must be performed during set-up, maintenance or repair activities. Refer to your local procedure for detailed information regarding the control of hazardous energy.

INSTALLATION

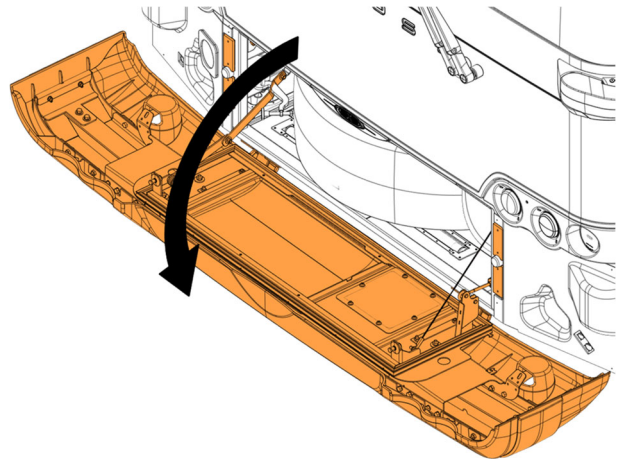
1. Open front service door.



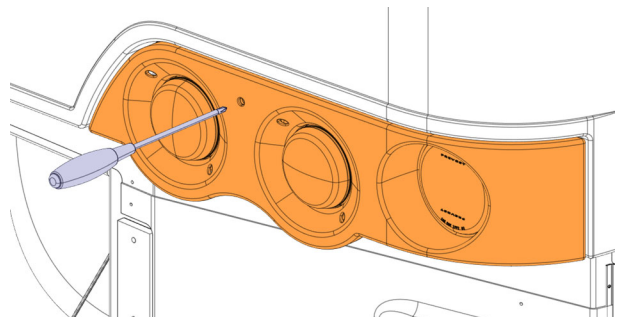
2. Pull the handle to unlatch the bumper.



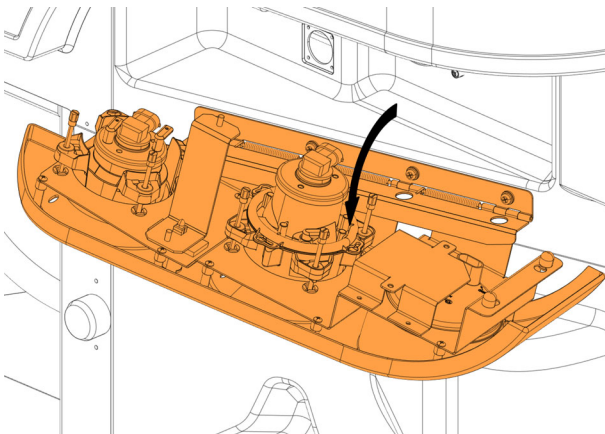
3. Flip bumper.



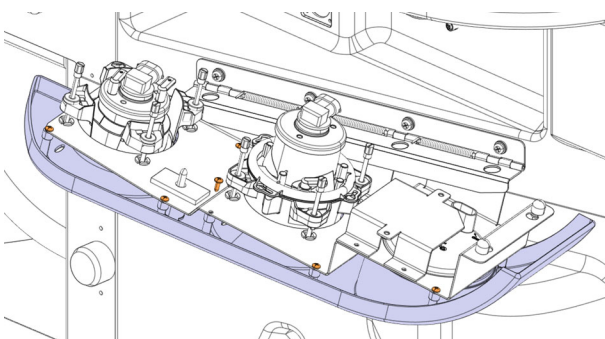
4. Unscrew the fixing screw.



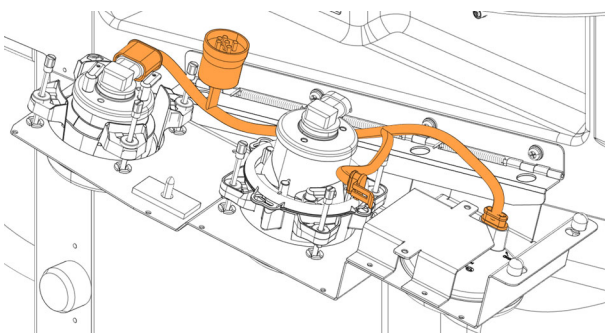
5. Flip lamps assembly (**both sides**).



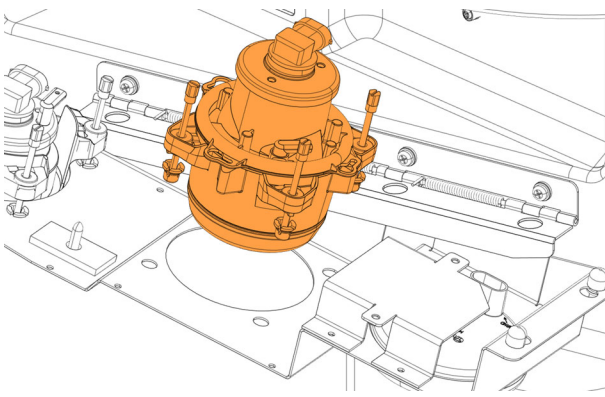
6. Remove the bezel (**both sides**).



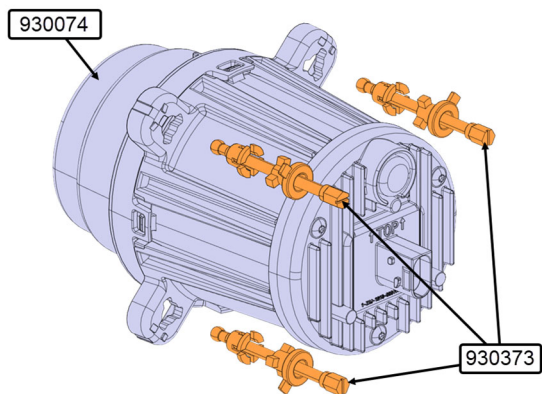
7. Unplug harness and discard (**both sides**).



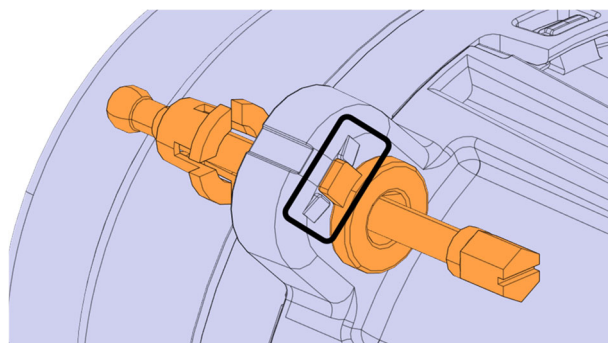
8. Remove low beam lamps and discard (**both sides**).



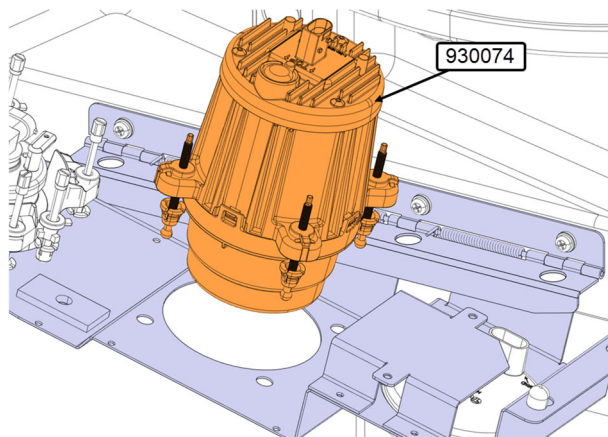
9. Install headlamp adjuster kit 930373 (2x) on new lamps 930074(2x).



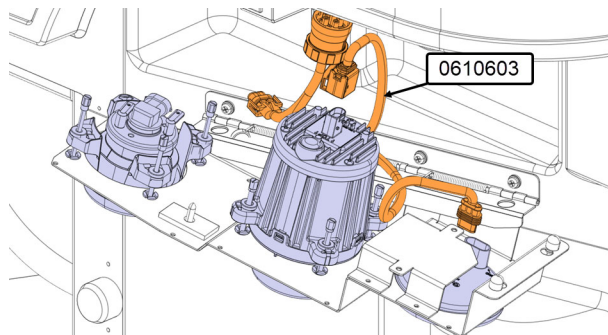
10. Lock adjusters on lamps



11. Install new lamps with adjuster on the support (both sides).

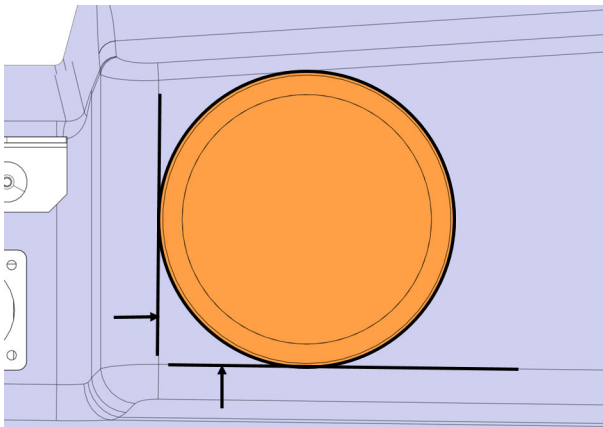


12. Install new harness 0610603 (both sides).



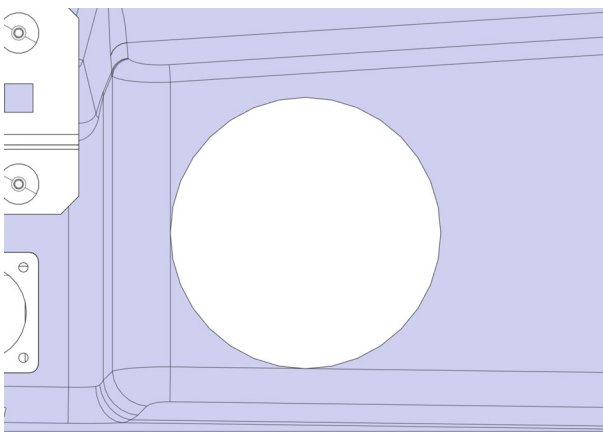
13. To be able to close the headlamp assembly you must do cut-outs. **(both sides).**

14. To do the cut out use the plastic cap as template position the cap at the start of each radius.



15. Use a hole saw 3 1/2 to drill the hole center of the template marking.

Note: drill carefully because behind the fiberglass there is a pneumatic hose on the right side and an electrical harness on the left side. Use a piece of cardboard to protect it before drilling.



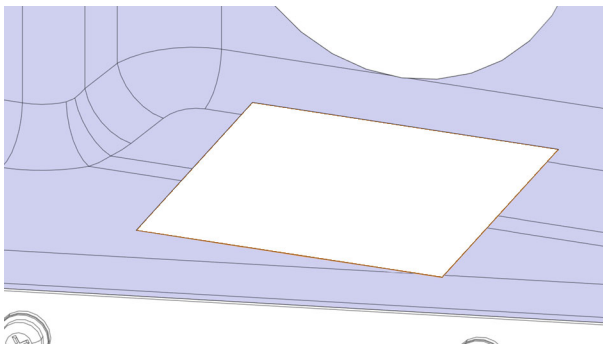
16. Verify if you have interference at the bottom of the lamp.

- If no, go to step 19.
- If yes, go to next step.

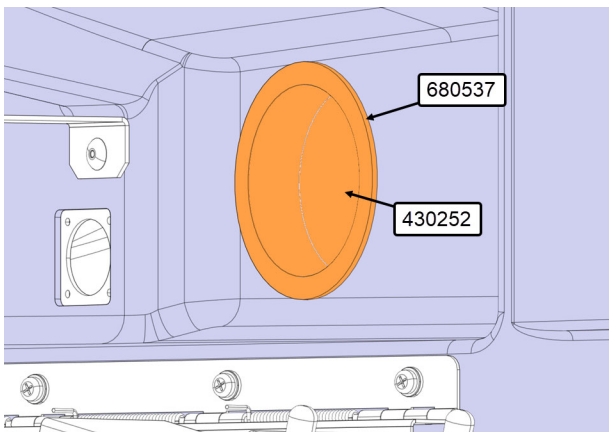
17. Draw a 3" X 2 3/8" rectangle centered on the hole drilled previously.



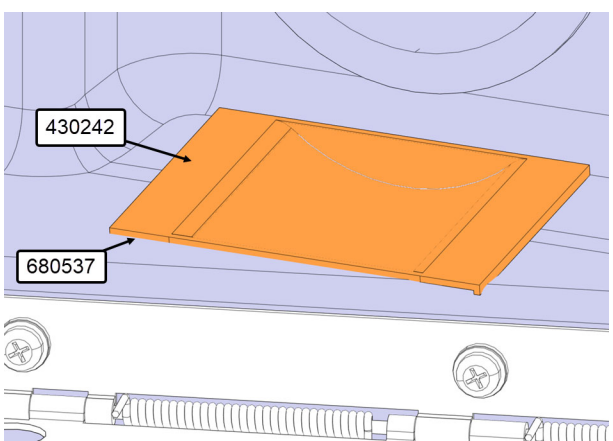
18. Cut the rectangle.



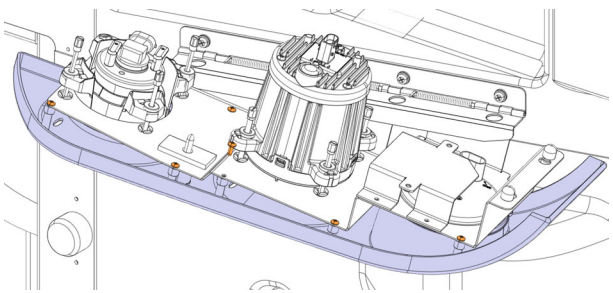
19. Clean the surface with 687959.
20. Install plug 430252 on cut-out with glue 680537. **(both sides).**



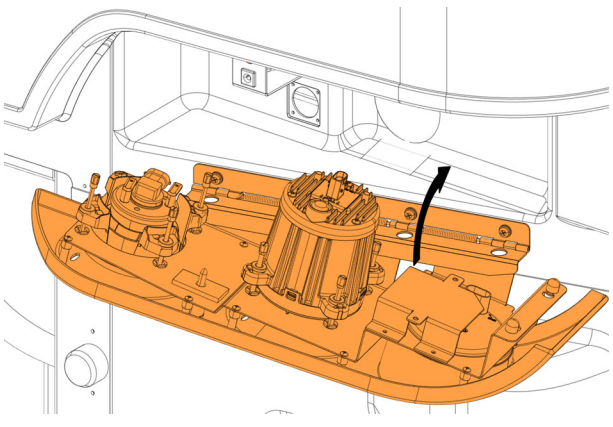
21. Clean the surface with 687959.
22. Install plug 430242 on cut-out with glue 680537. **(both sides).**



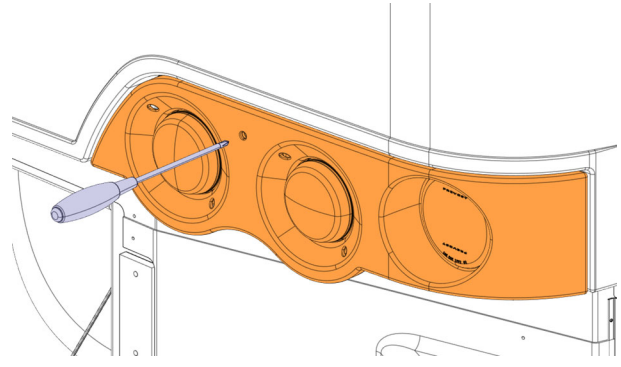
23. Reinstall the bezel **(both sides).**



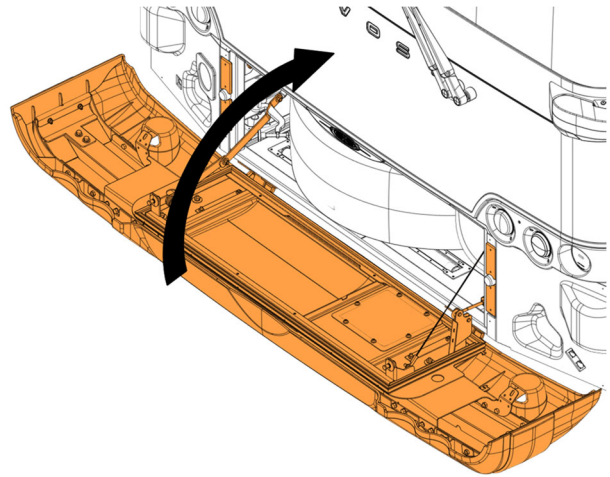
24. Close headlamp assembly **(both sides).**



25. Secure lamp assembly with the fixing screw (**both sides**).



26. Close the bumper.



PARAMETER PROGRAMMING WITH VPG SOFTWARE TOOL

1. In VPG, set parameter.
 - XENONL set to **Yes**.

Para	Description	S	Default Value	Previous Value	Current Value	New Value
XENONL	Head Lamp Xenon		No	Yes	Yes	Yes

Current Value should be Yes

HEADLAMP AIM

1. Refer to HEADLAMPS ADJUSTMENT in Section 06: ELECTRICAL of your Maintenance Manual.

PARTS / WASTE DISPOSAL

Discard waste according to applicable environmental regulations (Municipal/State[Prov.]/ Federal)