

# PREVOST

## WARRANTY BULLETIN


**WB24-20**

DATE :	June 2024	SECTION :	06 ELECTRICAL
EXPIRATION:	June 2026		
SUBJECT :	FIRE ALARM HARNESS MODIFICATION		

First Release

06-20-2024

### APPLICATION

<b>NOTICE TO SERVICE CENTERS</b>	
<i>Verify vehicle eligibility by checking warranty bulletin status with <b>SAP</b> or via <b>ONLINE WARRANTY SYSTEM</b> available on Service / Warranty tab of Prevost website.</i>	
Model	VIN 
H3-45 VIP motorhomes Model Year: 2022 - 2024	2PCV33490 <u>NC721247</u> , 2PCVS3491 <u>NC721308</u> , 2PCVS3496 <u>PC721372</u> , 2PCV33499 <u>PC721380</u> , 2PCVS349X <u>PC721424</u> , 2PCVS3497 <u>PC721428</u> , 2PCVS3498 <u>PC721440</u> , 2PCVS3490 <u>PC721464</u>
H3-45 coaches Model Year: 2023 - 2024	2PCH33498 <u>PC721402</u> , 2PCH33492 <u>RC721463</u> , 2PCH33496 <u>RC721465</u> , 2PCH33498 <u>RC721466</u> , 2PCH3349X <u>RC721467</u>
<p><b>This bulletin does not necessarily apply to all the above-mentioned vehicles, some vehicles may have been modified before delivery. The owners of the vehicles affected by this bulletin will be advised by a letter indicating the Vehicle Identification Number (VIN) of each vehicle concerned.</b></p>	


### DESCRIPTION

On the vehicles affected by this bulletin, the fire alarm harness in the front junction box needs to be modified.

### MATERIAL

No material is needed for this warranty bulletin.

**Required tool**

Part No	Description
683766	EXTRACTOR, JAE ET-AG5 

***NOTE***

*Material can be obtained through regular channels.*

## SAFETY PRECAUTIONS

- Eye protection should always be worn when working in a shop.
- Rules for Personal Protection Equipment should always be respected. Wear your PPE including but not limited to the following:



# Safety First!



## PROCEDURE



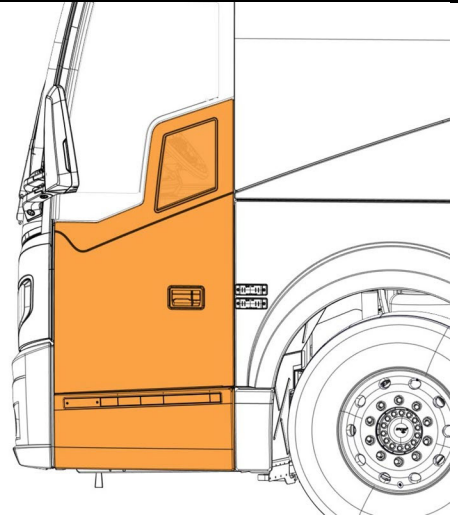
### DANGER

Park vehicle safely, apply parking brake, stop the engine. Prior to working on the vehicle, set the ignition switch to the OFF position and trip the main circuit breakers equipped with a trip button. On the Commuter type vehicles, set the battery master switch (master cut-out) to the OFF position.

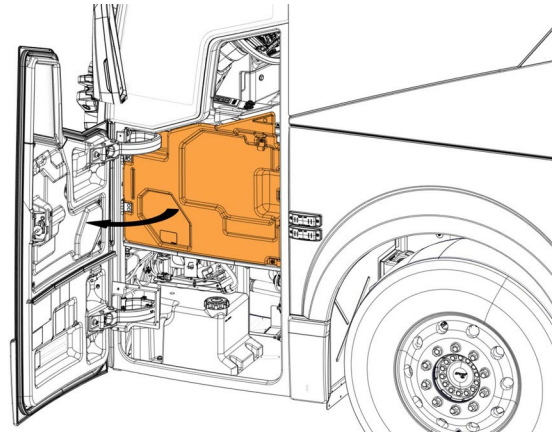
Lockout & Tag out (LOTO) must be performed during set-up, maintenance or repair activities. Refer to your local procedure for detailed information regarding the control of hazardous energy.

## HARNES LOCATION

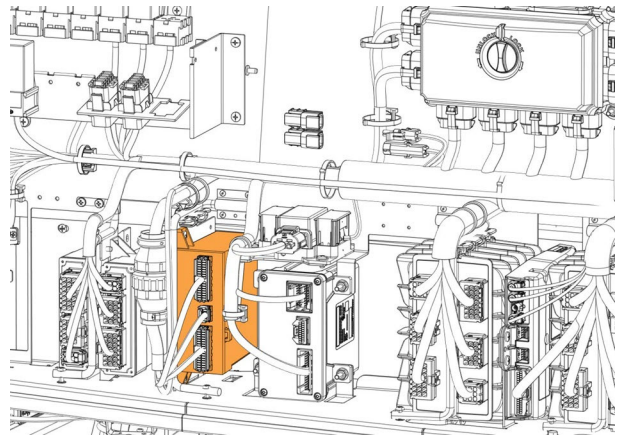
1. Open the front service door.



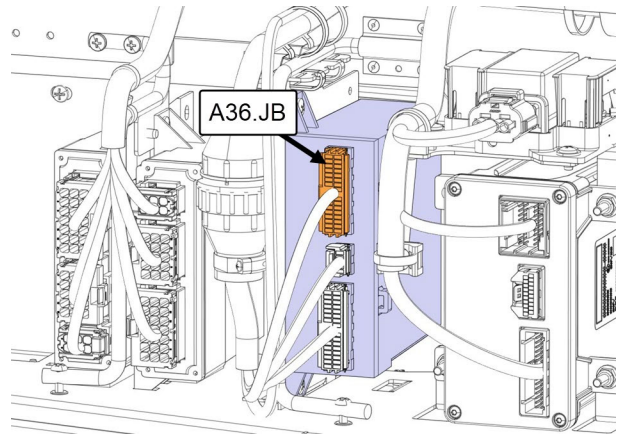
2. Open the front junction box panel.



3. Locate the module **A36** (MCM).



4. Locate the blue connector **A36.JB**.



5. Locate the red wire **A130.6** connected to pin **A36.JB:1** of the connector.

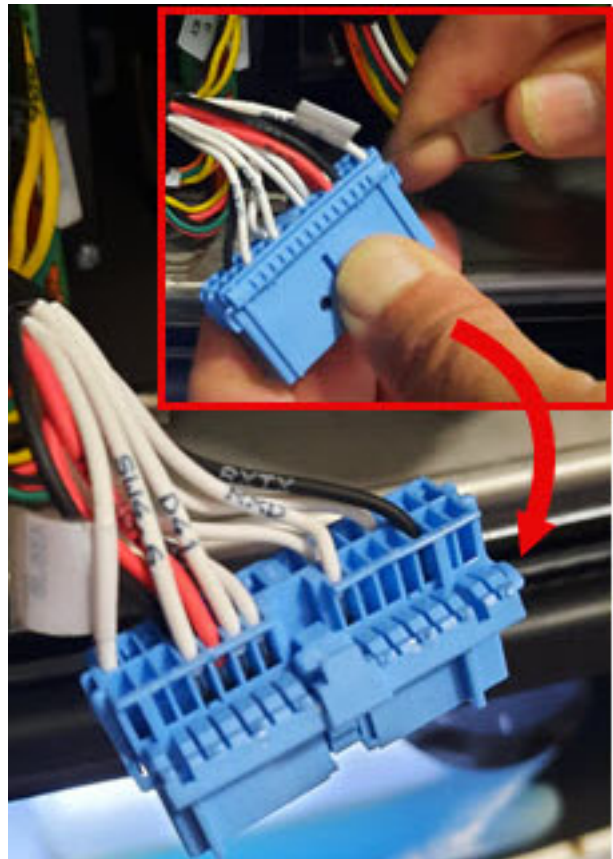


## HARNESS MODIFICATION

6. Unplug the **A36.JB** connector from the module.

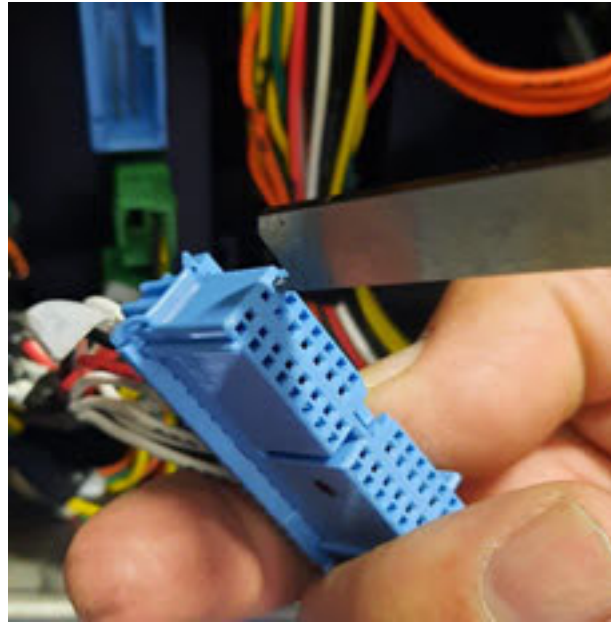


7. Use a small screwdriver to open the secondary lock of the connector JB.

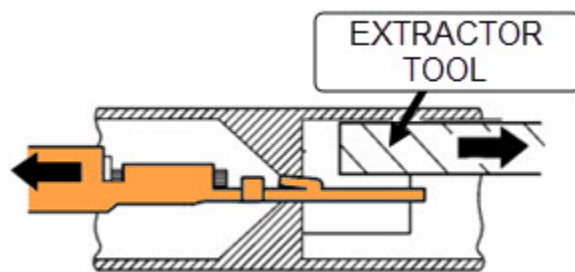




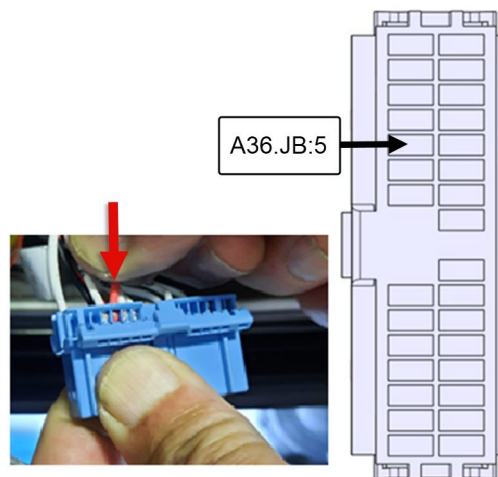
8. Slide in the extractor tool 683766 into the removal cavity at the back of the pin **A36.JB:1**.



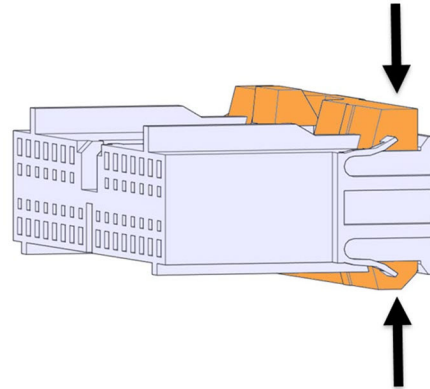
9. Pull out the wire **A130.6** from the connector.



10. Insert wire **A130.6** into the pin **A36.JB:5** of the connector until the terminal is locked in place.



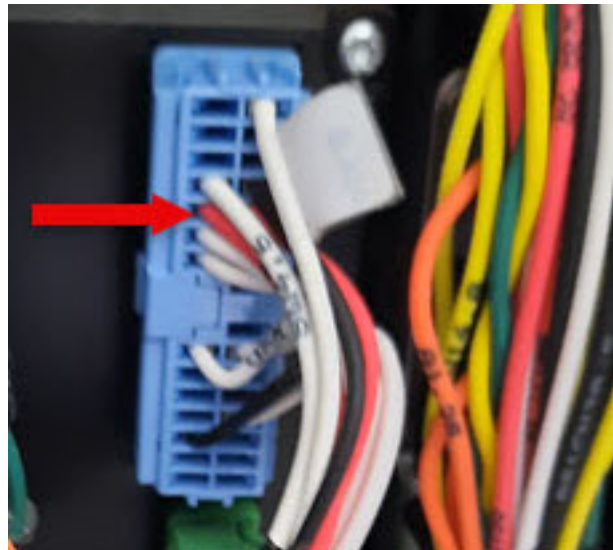
11. Close the secondary lock.



12. Plug the connector **A36.JB** into the module **A36**.

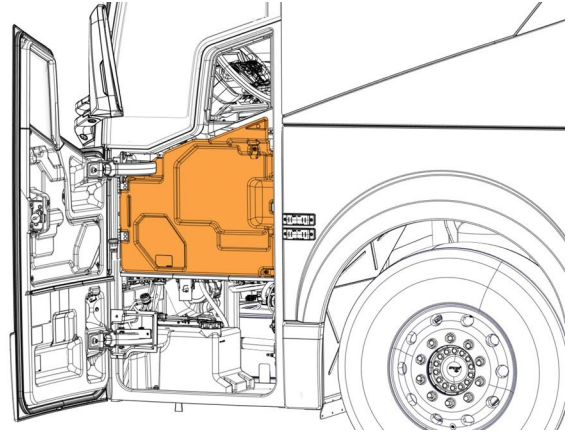


13. Double check that the wire **A130.6** is connected to the correct pin **A36.JB:5**.

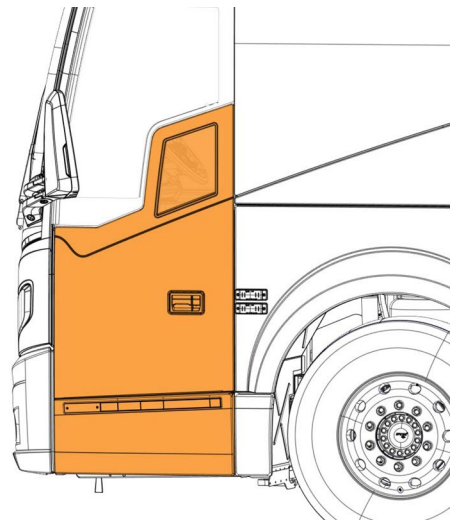




14. Close the front junction box panel.



15. Close the front service door.



## PARTS / WASTE DISPOSAL

DO NOT RETURN THE REPLACED PARTS. Discard waste according to applicable environmental regulations (Municipal/State[Prov.]/ Federal)

## WARRANTY

This modification is covered by Prevost's normal warranty. We will reimburse you ¼ hour (0.25) of labor upon receipt of a warranty claim. Please submit claim via our Online Warranty System, available at [www.prevostcar.com](http://www.prevostcar.com) (under Service \ Warranty section).

- Use Claim Type: "Bulletin/Recall" and select "Warranty Bulletin WB24-20".

## OTHER

VBC Bulletin	N/A
Fail Code	06.15
Defect Code	09
Syst. Cond	B
Causal Part	562765

Access all our Service Bulletins on  
<http://techpub.prevostcar.com/en/>  
or scan the QR-Code with your smart phone.



**Are you a Vehicle owner?** E-mail us at  
***technicalpublications\_prev@volvo.com*** and type "ADD" in the  
subject to receive warranty bulletins applicable to your vehicle(s)  
by e-mail.