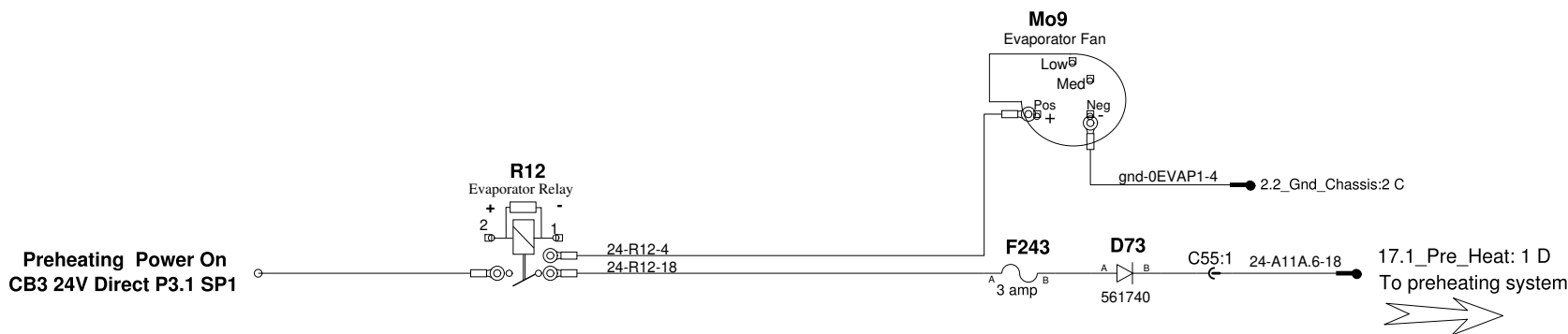
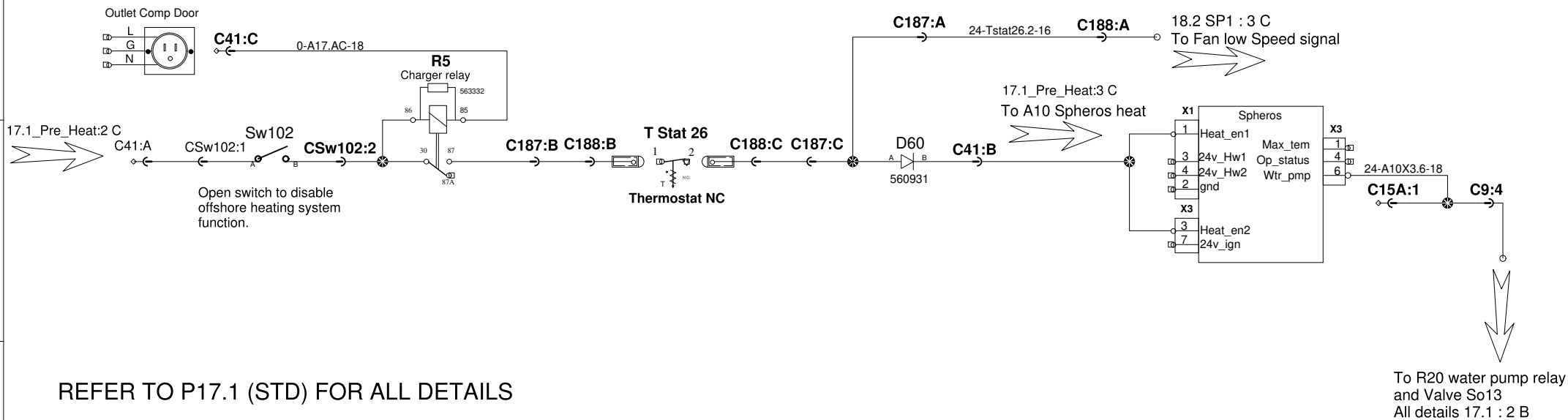


# Water PreHeater System Forced Customer Adaptation Offshore Heating Function

REFER TO P18.2 (STD) FOR ALL DETAILS



**Battery charger force HVAC system On**  
From R45 Relay Charger 0-R45.NO : 6.C



REFER TO P17.1 (STD) FOR ALL DETAILS