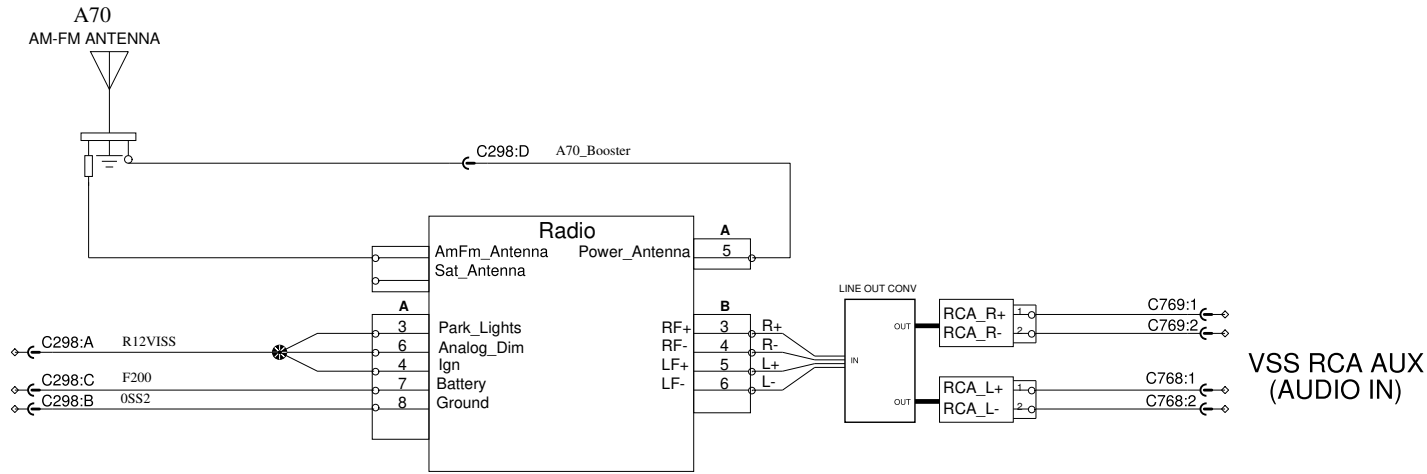


Customer adaptation additional radio & HDMI input in 2nd P-Rack



REFER TO PAGE 35.3 STD FOR ALL DETAILS

