

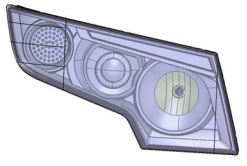
# PREVOST

## Instruction Sheet

## IS-23073-2C

### H3 SERIES LED HEADLAMPS RETROFIT WITH DAY RUNNING LIGHT (Mandatory for Canadian operator, Optional for US Operator)

Use this kit in replacement of the following Xenon or halogen headlamps

TYPE	R.H.	L.H.	
XENON	930426	930425	
	930014	930013	
HALOGEN	930403	930402	
	930011	930010	

Revision: C

Parts number change

01-29-2025

### MATERIAL

Order the following parts:

Part No.	Description	Qty
430326	LEFT HEADLAMP LED H3	1
430331	RIGHT HEADLAMP LED H3	1

And order kit # **IS23073-2** includes the following parts: **for vehicle before J-0184**

Part No.	Description	Qty
470095	WATER DEFLECTOR EXTRUSION	3 ft
0600274	HARNES LOW BEAM	1
563332	RELAY 24V S.P.D.T. W/RESISTOR	3
500209	SCREW TC PAN PH N500 10-24X3/8	1
504637	CABLE TIE, NYLON BLACK (STD)	15
IS-23073-2	INSTRUCTION SHEET	1
FI-23073-2	FEUILLE D'INSTRUCTION	1

### NOTE

*That the addition of this wiring is only required if daytime running lights are mandatory in the region where the vehicle is registered. Adding this wiring will cause the dashboard to be in night mode when the headlights are in daylight mode.*

And order kit **IS23073-3** includes the following parts: **for vehicle after K-0185**

<b>Part No.</b>	<b>Description</b>	<b>Qty</b>
470095	WATER DEFLECTOR EXTRUSION	3 ft
IS-23073-2	INSTRUCTION SHEET	1
FI-23073-2	FEUILLE D'INSTRUCTION	1

**NOTE**

*Material can be obtained through regular channels.*

## SAFETY PRECAUTIONS

- Eye protection should always be worn when working in a shop.
- Rules for Personal Protection Equipment should always be respected. Wear your PPE including but not limited to the following:



# Safety First!



## PROCEDURE



### DANGER

Park vehicle safely, apply parking brake, stop the engine. Prior to working on the vehicle, set the ignition switch to the OFF position and trip the main circuit breakers equipped with a trip button. On Commuter type vehicles, set the battery master switch (master cut-out) to the OFF position.

Lockout & Tag out (LOTO) must be performed during set-up, maintenance or repair activities. Refer to your local procedure for detailed information regarding the control of hazardous energy.

## HEADLAMP REMOVAL

1. Open front service door.

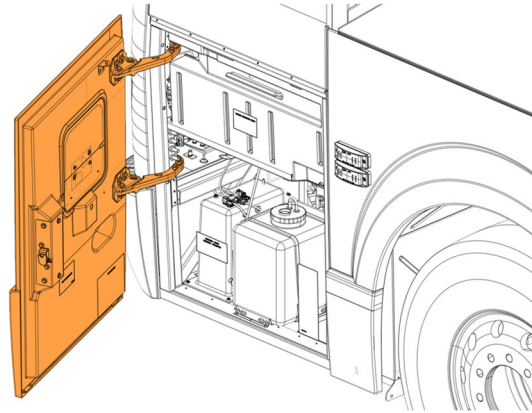


FIGURE 1

2. Pull the bumper release handle.

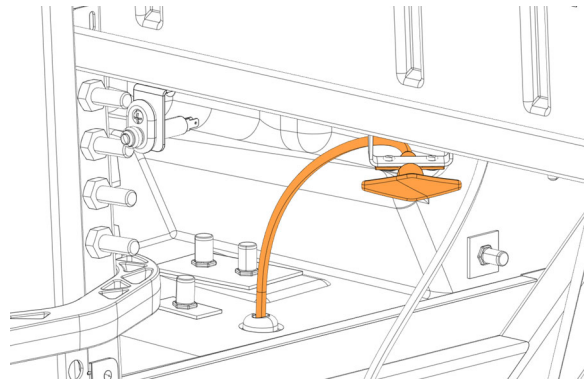


FIGURE 2

3. Open bumper.

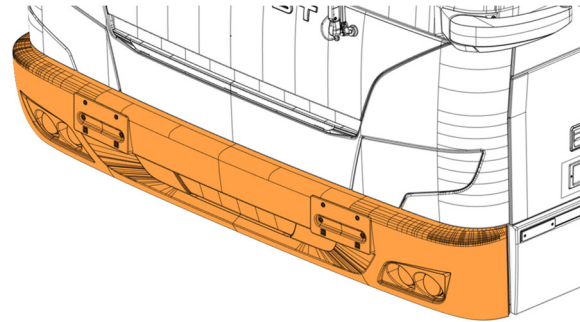


FIGURE 3

4. Loosen the two (2) bolts shown.

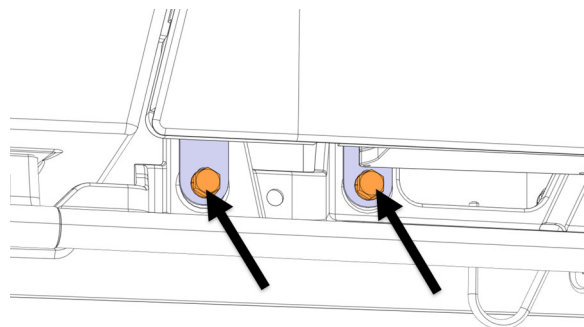


FIGURE 4

5. Pull the rod shown to flip the headlamps assembly.

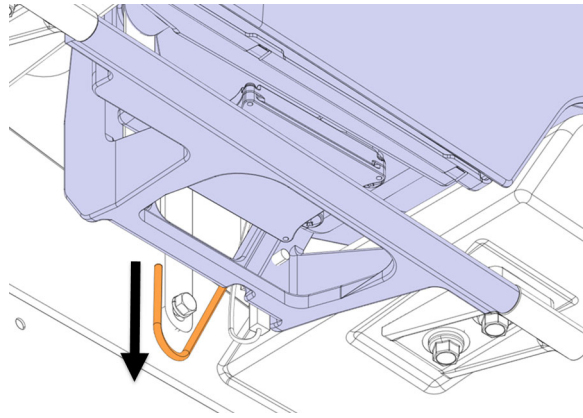


FIGURE 5

6. Unscrew and remove five (5) nuts and washers shown.

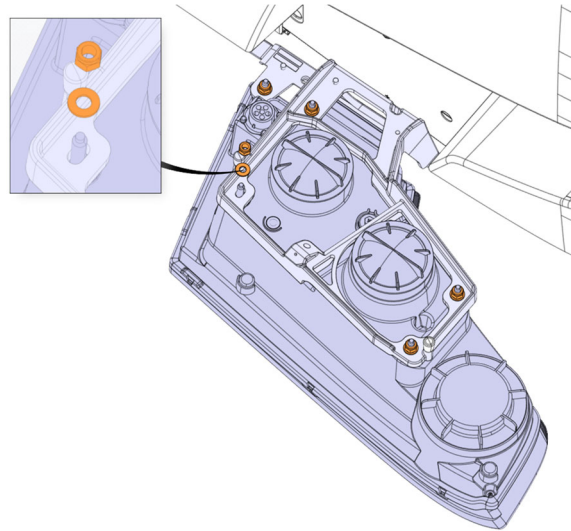


FIGURE 6

7. Disconnect the headlamp and remove.

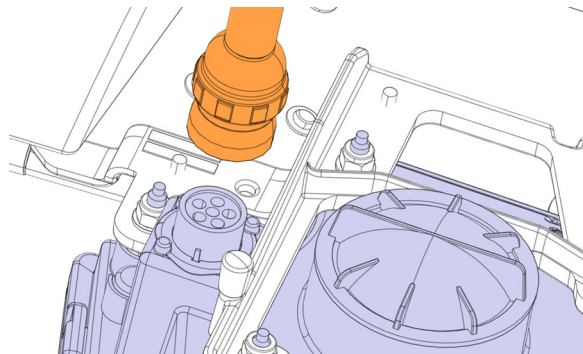


FIGURE 7

## WATER DEFLECTOR INSTALLATION ON RIGHT-HAND HEADLAMP

1. Cut two pieces of raw water deflector extrusion 470095 in accordance with the following measures.

- A) 366 mm
- B) 244 mm

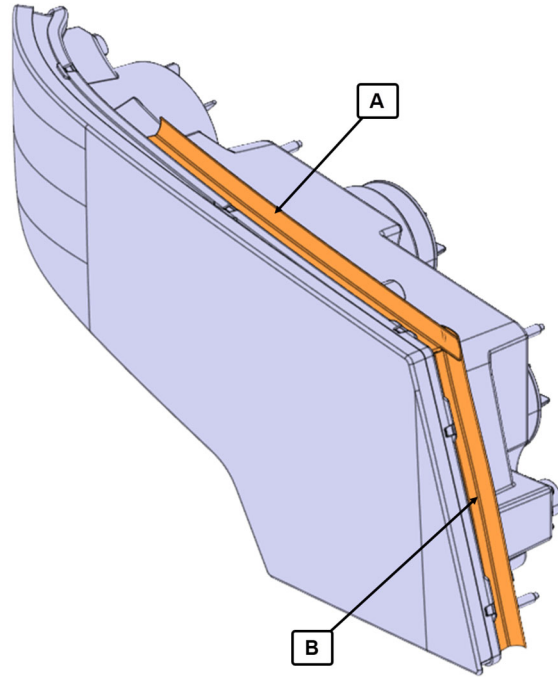


FIGURE 8

2. Cut two notches (Figure 10) on each water deflector to clear the embossed part (Figure 9) of the headlamp housing.

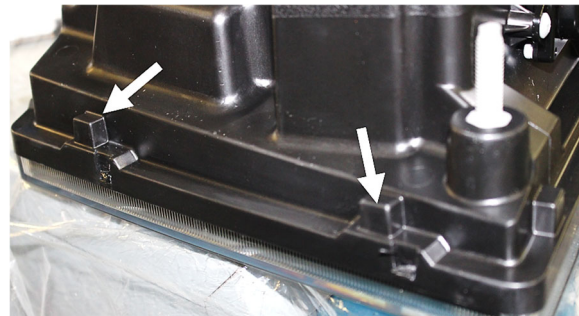


FIGURE 9



FIGURE 10

3. Stick the water deflector on the surface shown.

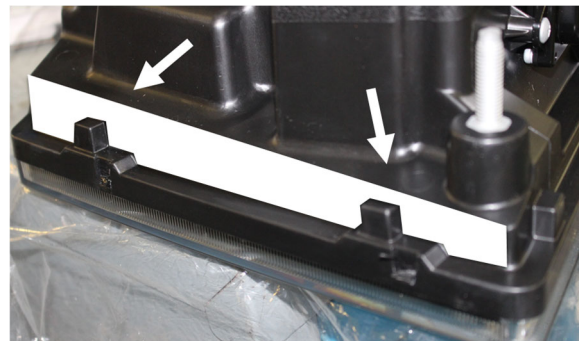


FIGURE 11

4. Install water deflectors on the headlamp 430331.

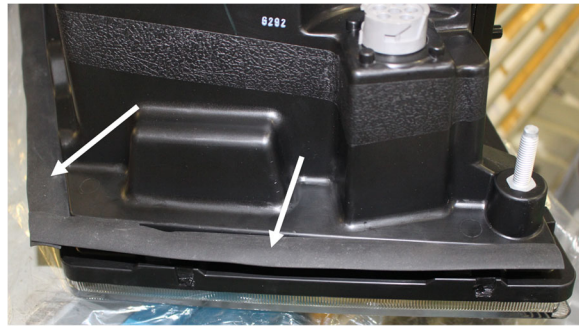


FIGURE 12

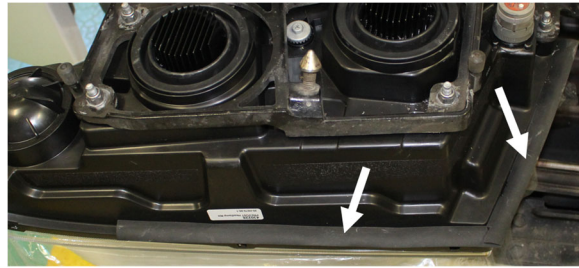


FIGURE 13



FIGURE 14

## HEADLAMP INSTALLATION

1. Install the new led headlamp 430326 (left) and 430331 (right).
2. Reinstall five (5) washers.
3. Reinstall five (5) nuts. Tighten by hand only.

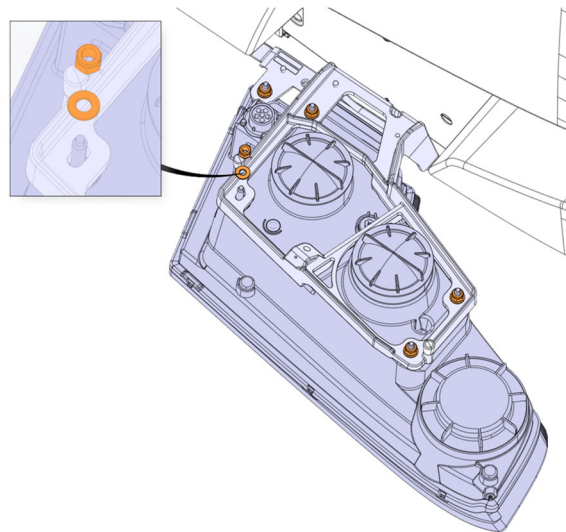


FIGURE 15

4. Adjust the headlamp vertically.
5. The gap shown in red on **Figure 17** should be  $5 \pm 2$  mm.

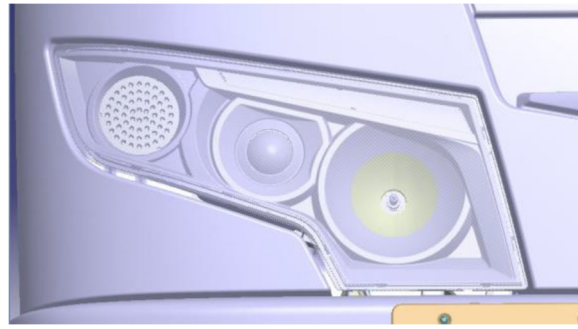


FIGURE 16

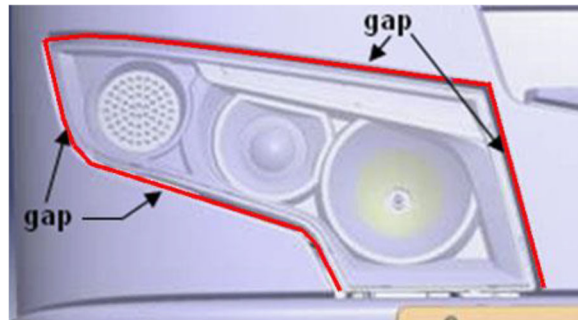


FIGURE 17

6. Flip the headlamp and tighten the five nuts shown. Prescribed torque: 10 ft-lbs.

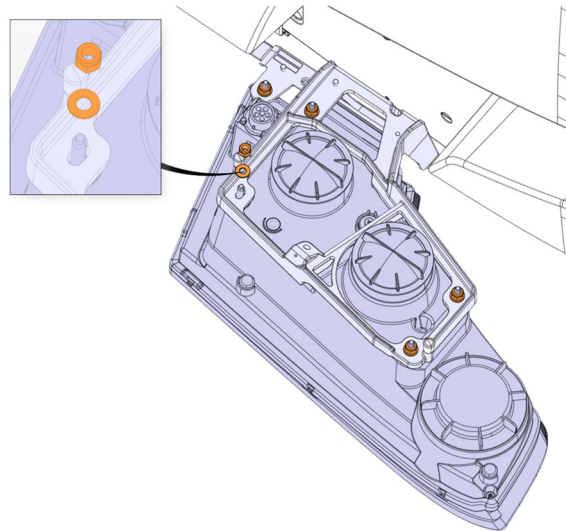


FIGURE 18

Once the headlamp is properly positioned, tighten the two bolts shown.

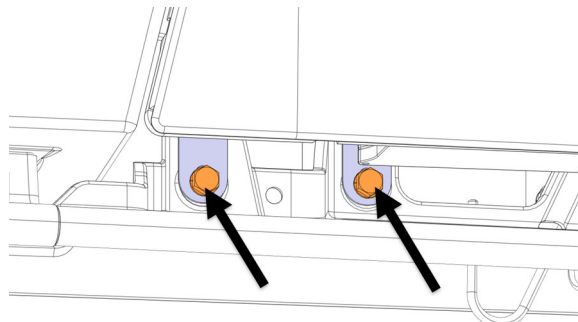


FIGURE 19



## WITH DAY RUNNING LIGHT MODIFICATION BEFORE EFD (VEHICLE BEFORE J-0184) ONLY

1. Open front service compartment door.
2. Remove the front junction box protector panel.

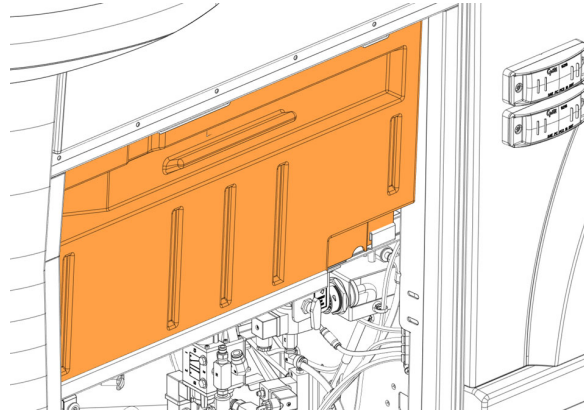


FIGURE 20

3. Remove the top panel.

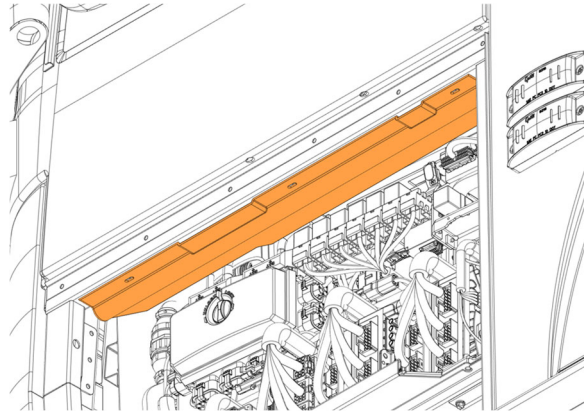


FIGURE 21

4. Locate modules **A43** and **A36** and connector **C71**.

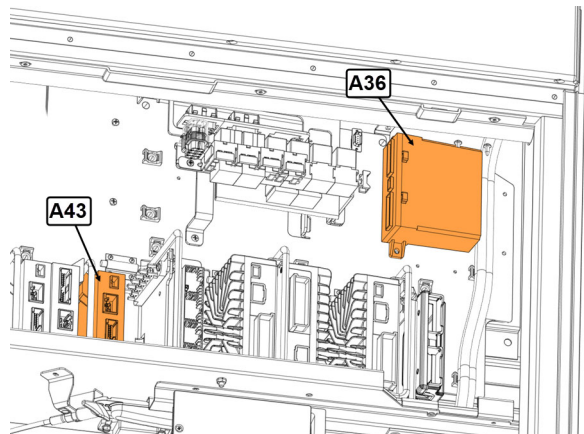


FIGURE 22

5. Find wire **61** into connector **C71** pin **21**.
6. Cut the wire 6 inch from the connector **C71**.
7. Connect butt splice **61\_Sw2.3\_SW** from harness low beam 0600274 to wire from the connector **C71** pin **21**.
8. Connect butt splice **61\_Sw2.3\_IO** from harness low beam 0600274 to wire from main harness.
9. Crimp the terminal butt and heat the shrink to seal the terminal.

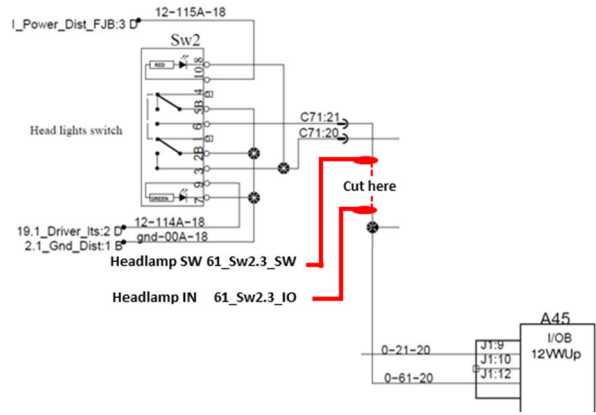


FIGURE 23

10. Find wire **59** from **J1:8 A43**.
11. Cut the wire.
12. Connect butt splice **59\_C258.8\_IO** from harness low beam 0600274 to wire from module **A43**.
13. Connect butt splice **59\_C258.8\_SW** from harness low beam 0600274 to wire from the switch **Sw1**.
14. Crimp the terminal butt and heat the shrink to seal the terminal.

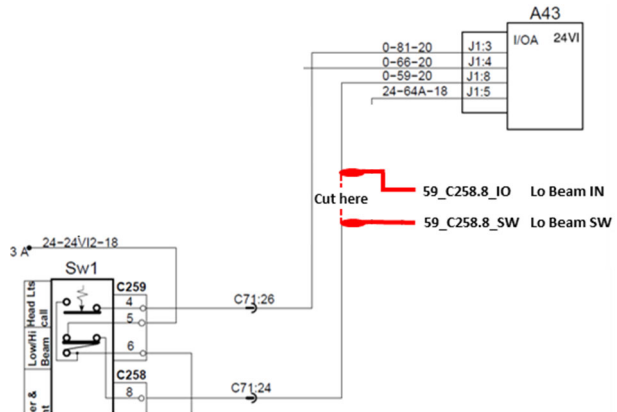


FIGURE 24

15. Find wire **25** from **JA1:13 A36**.
16. Cut the wire.
17. Connect butt splice **25\_A56J1.13** from harness low beam 0600274 to wire **25**.
18. Crimp the terminal butt and heat the shrink to seal the terminal.

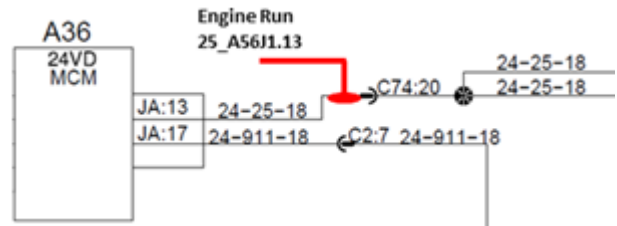


FIGURE 25

19. Drill 3/16" Ø hole into dash frame to secure relay bases of the harness 0600274.

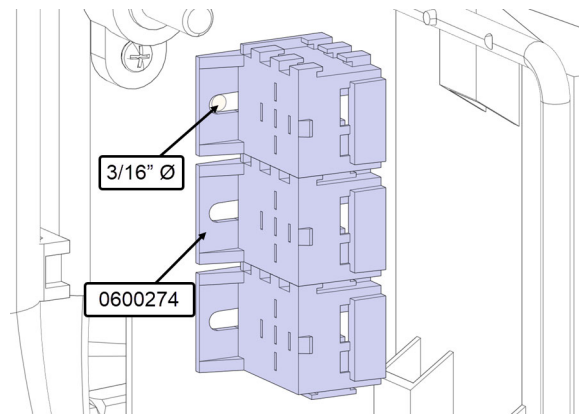


FIGURE 26

20. Secure the first relay base to junction box with screw 500209.

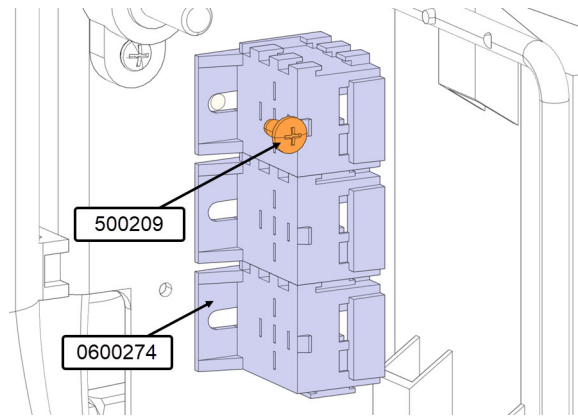


FIGURE 27

21. Drill 3/16" Ø two holes for secure relay bases use the relay base as a template for holes position.

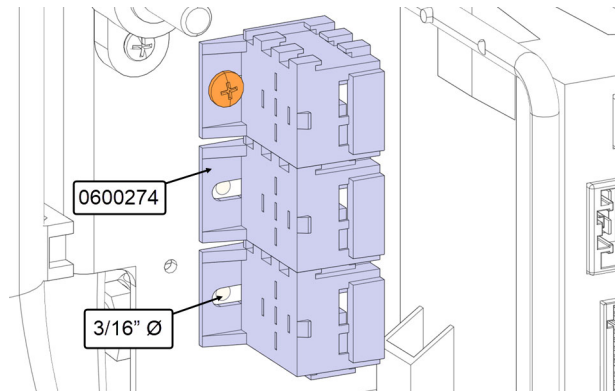


FIGURE 28

22. Secure relay bases with screw 500209 (2x).

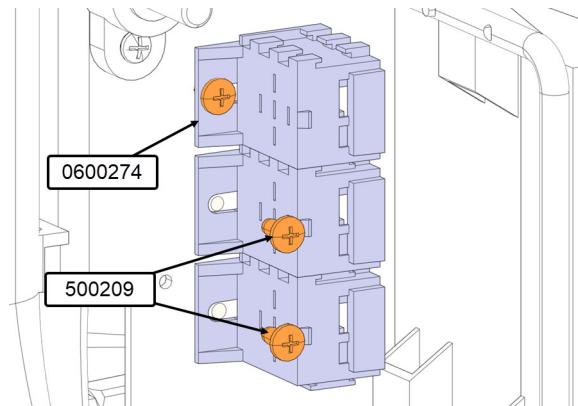


FIGURE 29

23. Install relays 563332 (3X).

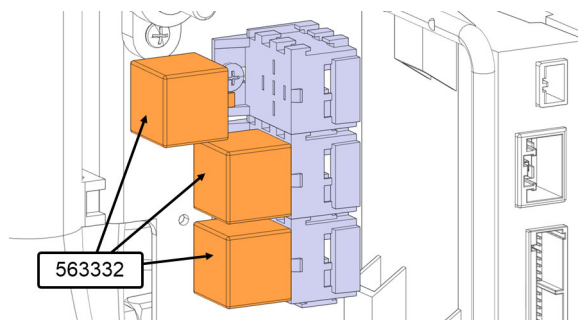


FIGURE 30

24. Plug ground to terminal block inside front electrical box.
25. Secure the harness 0600274 with cable ties 504637 (10x).

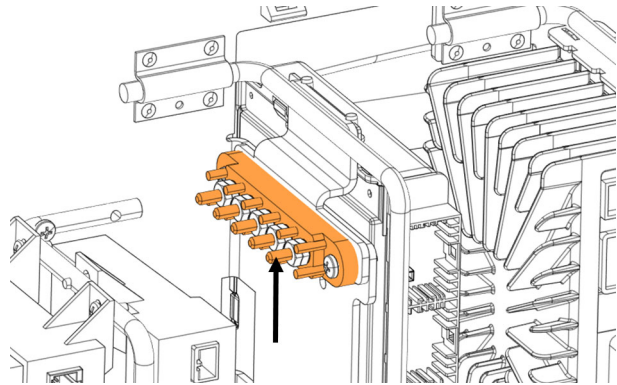


FIGURE 31

26. Locate pressure switch **SE18** on pneumatic panel at bottom of the front service compartment.

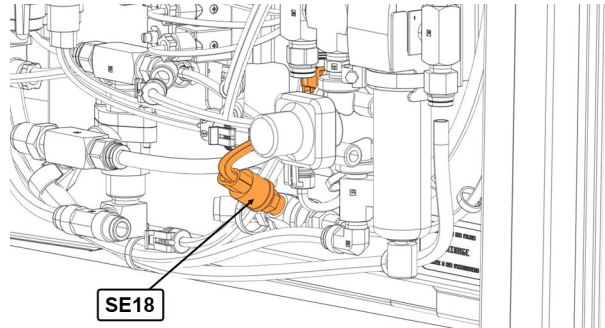


FIGURE 32

27. Disconnect connector **SE18**.

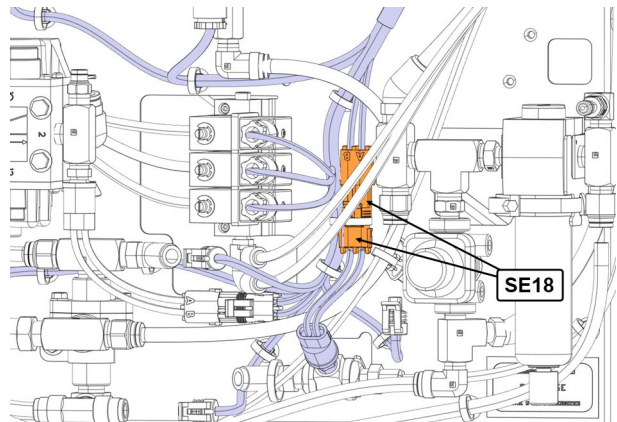


FIGURE 33

28. Connect harness 0600274 connector SE18\_SW to pressure switch and SE18\_IN to pneumatic panel harness.
29. Secure the harness 0600274 with cable ties 504637 (5x).

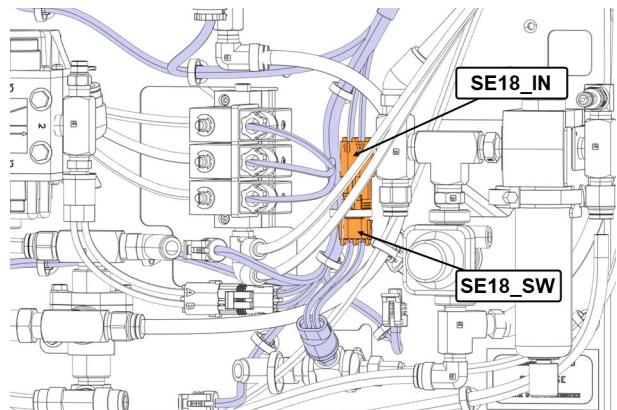


FIGURE 34

30. Reinstall the top panel.

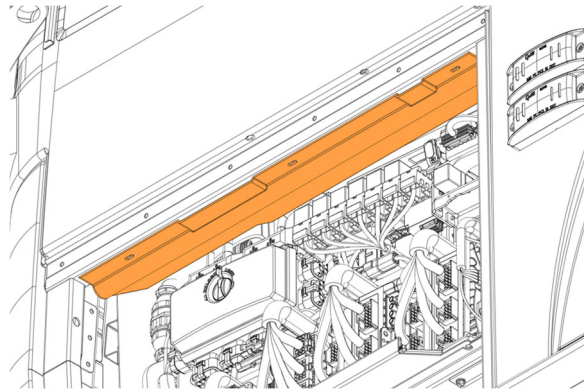


FIGURE 35

31. Reinstall the front junction box protector panel.

32. Close front service compartment door.

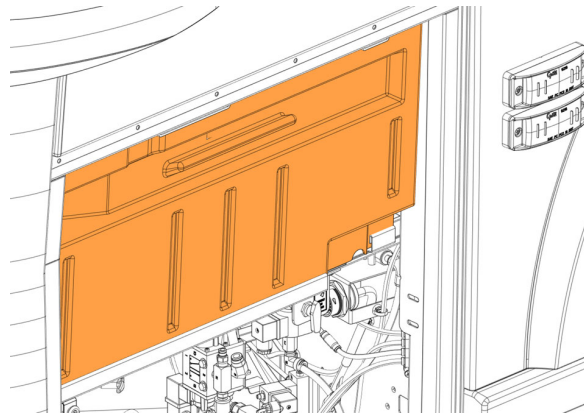


FIGURE 36

## PARAMETER PROGRAMMING WITH VPG SOFTWARE TOOL BEFORE EFD (VEHICLE BEFORE J-0184) ONLY

- In VPG, set parameter. (If you have daytime running lights, they will be managed by the new harness and relays).
  - DAYTIME set to **no**.
  - XENONL set to **Yes**.

Compare parameter values between Previous Value and Current Value

Para	Description	S	Default Value	Previous Value	Current Value	New Value
DAYTIM	Daytime Running Light		Yes	Yes	Yes	No
XENONL	Head Lamp Xenon		No	Yes	Yes	Yes

Current Value should be No

Current Value should be Yes

FIGURE 37

## PARAMETER PROGRAMMING WITH VPG SOFTWARE TOOL AFTER EFD (VEHICLE AFTER K-0185) ONLY

- In VPG, set parameter.
  - DAYTIME set to **no**.
  - XENONL set to **Yes**.
  - LEDBEM set to **Yes**.

Compare parameter values between Previous Value and Current Value

Para	Description	S	Default Value	Previous Value	Current Value	New Value
DAYTIM	Daytime Running Light		Yes	Yes	Yes	No
LEDBEM	Hi Low LED Beams		No	Yes	Yes	Yes
XENONL	Head Lamp Xenon		No	Yes	Yes	Yes

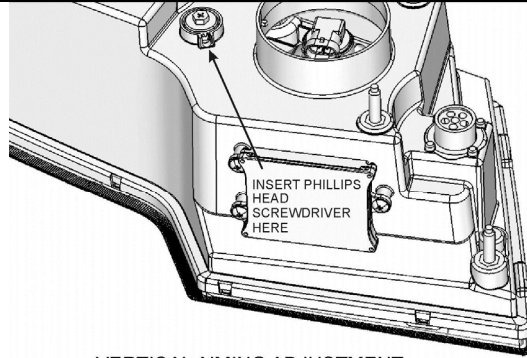
Current Value should be No

Current Value should be Yes

FIGURE 38

## HEADLAMP AIM

1. Headlamps must be properly aimed to provide maximum allowable road illumination. Aiming can be performed without opening headlamps assembly. Vertical aiming of each module is provided by one adjusting screw that pivots the entire module in the housing for the proper alignment. There is no adjustment for focus since the module is set for proper focus during manufacturing assembly.



VERTICAL AIMING ADJUSTMENT

FIGURE 39

2. Refer to HEADLAMPS ADJUSTMENT in Section 06: ELECTRICAL of your Maintenance Manual.

## PARTS / WASTE DISPOSAL

Discard waste according to applicable environmental regulations (Municipal/State[Prov.]/ Federal)

# Appendix A

## Reference Drawings



# Wiring harness 0600274

