

Warranty Bulletin

WB24-85

Date Expiration Group No. Page
09.2024 09.2025 1(32)

First Release

09-24-2024

TURBO INSTALLATION 9700 (B13R)

MODEL YEAR(S) AND VEHICLE SERIAL NUMBERS (VIN) INVOLVED

NOTICE TO SERVICE CENTERS	
<i>Verify vehicle eligibility by checking warranty bulletin status with SAP or via ONLINE WARRANTY SYSTEM available on Service / Warranty tab of Prevest website.</i>	
Model	VIN
Volvo 9700 US/CAN Model Year: 2023 - 2024	3CET2W424P5210751 3CET2W421P5210836
	3CET2W423P5210837 3CET2W425P5210838
	3CET2W423P5210840 3CET2W425P5210841
	3CET2W429P5210843 3CET2W420P5210844
	3CET2W427P5210839 3CET2W420P5212545
	3CET2W42XP5213024 3CET2W421P5213025
	3CET2W424P5212368 3CET2W426P5212369
	3CET2W422P5212370 3CET2W424P5212371
	3CET2W429P5213127 3CET2W420P5213128
	3CET2W429P5213032 3CET2W426R5212746
	3CET2W420R5212841
This bulletin does not necessarily apply to all the above-mentioned vehicles, some vehicles may have been modified before delivery. The owners of the vehicles affected by this bulletin will be advised by a letter indicating the Vehicle Identification Number (VIN) of each vehicle concerned.	

DESCRIPTION

On the vehicles affected by this bulletin, reinstall the turbo with the new gaskets and hardware.

Order kit **WB24-85** which contains the following parts:

Part No.	Description	Qty
85137676	INSTALLATION KIT TURBO	1

PROCEDURE



DANGER

Park vehicle safely, apply parking brake, stop the engine. In the battery box, set the battery cut-off switch to the OFF position prior to working on the vehicle.

Lockout & Tag out (LOTO) must be performed during set-up, maintenance or repair activities. Refer to your local procedure for detailed information regarding the control of hazardous energy.



WARNING

Risk of serious injury.

If oil enters the charge air system, there is a risk of the engine revving up to full speed.

- ▶ Check that no oil has entered the charge air system.



CAUTION

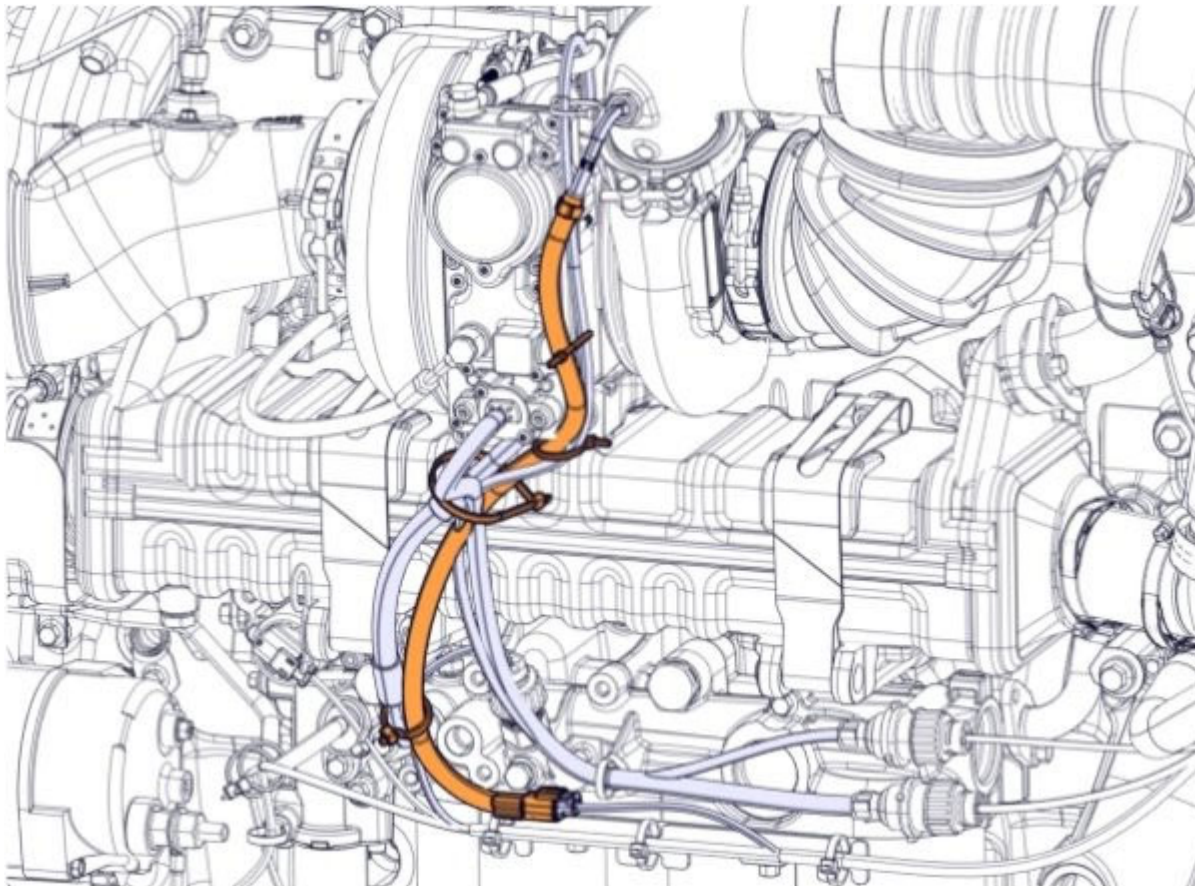
Risk of material damage.

The turbocharger can be damaged if foreign particles enter the charge air system. Particles as small as 1 mm can cause damage.

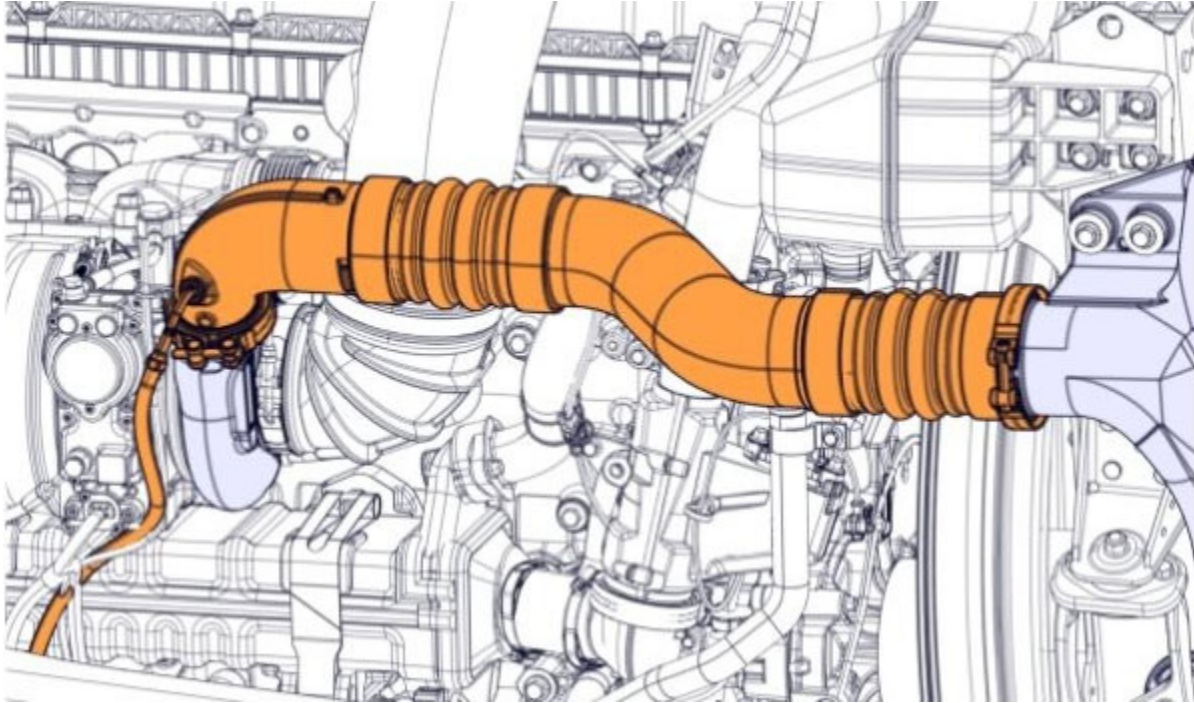
- ▶ Observe maximum cleanliness when working on the charge air system. Cover or plug openings immediately.

- 1) Remove the cable ties.
- 2) Disconnect the sensor connector.

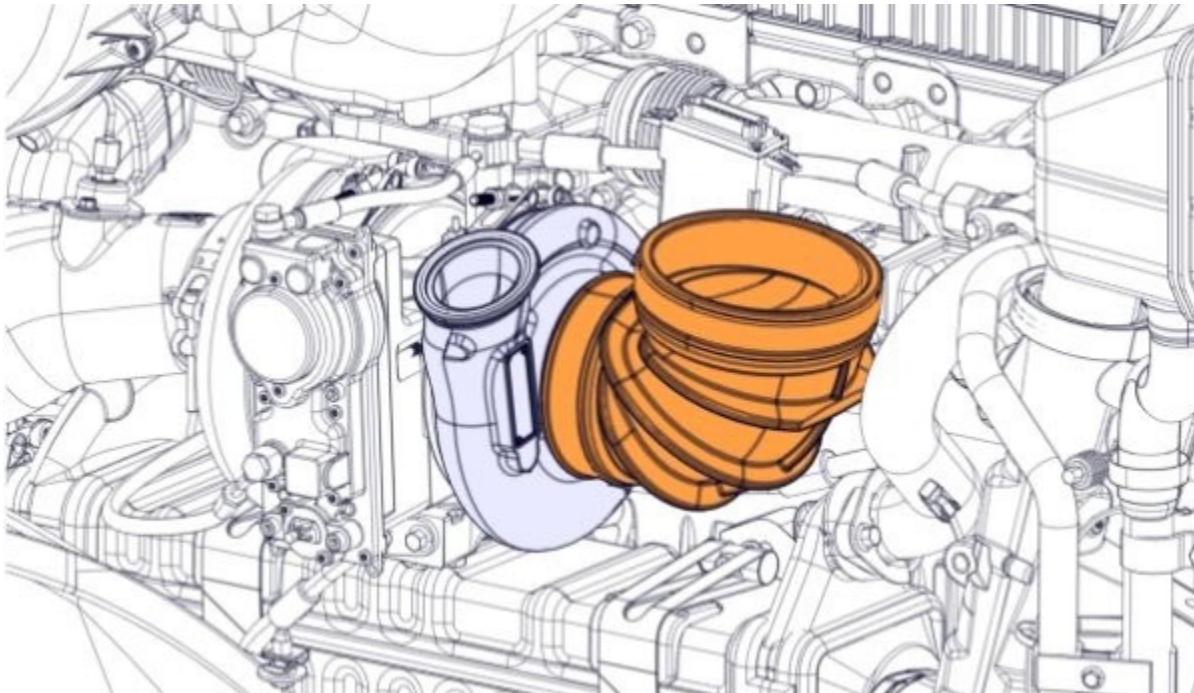
Note: To avoid damaging the sensor, do not remove from the pipe.



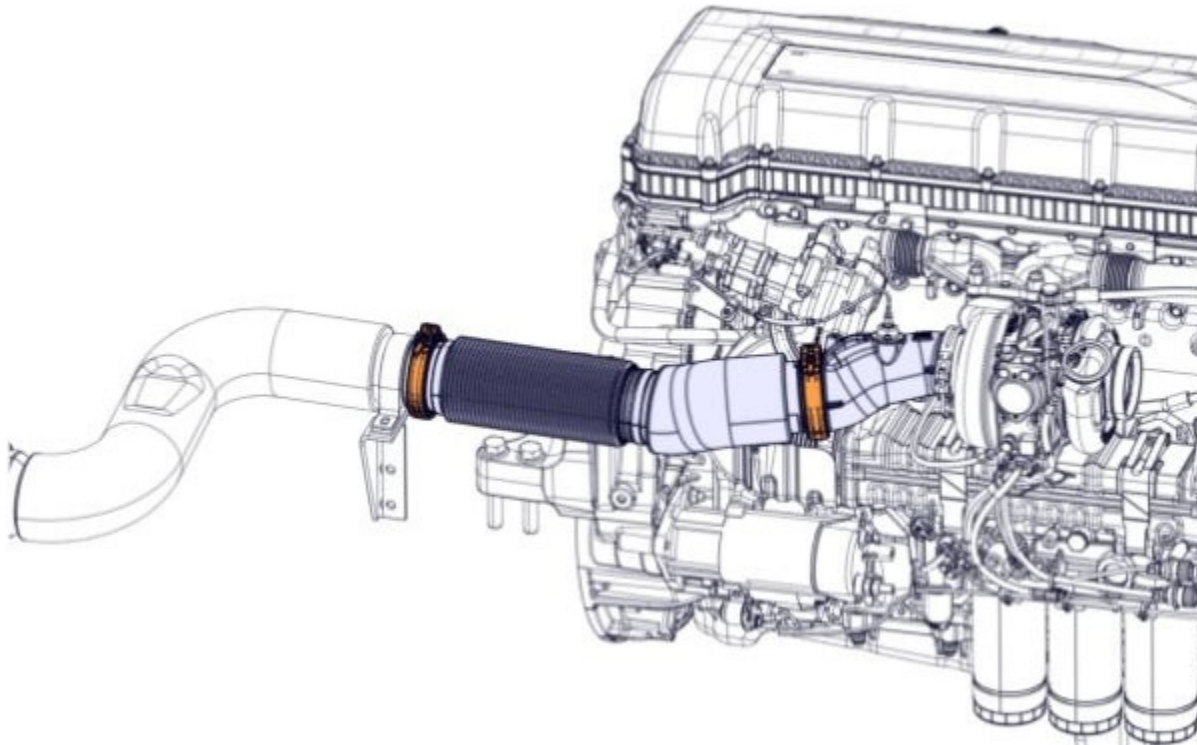
- 3) Loosen the clamps.
- 4) Remove the pipe assembly.



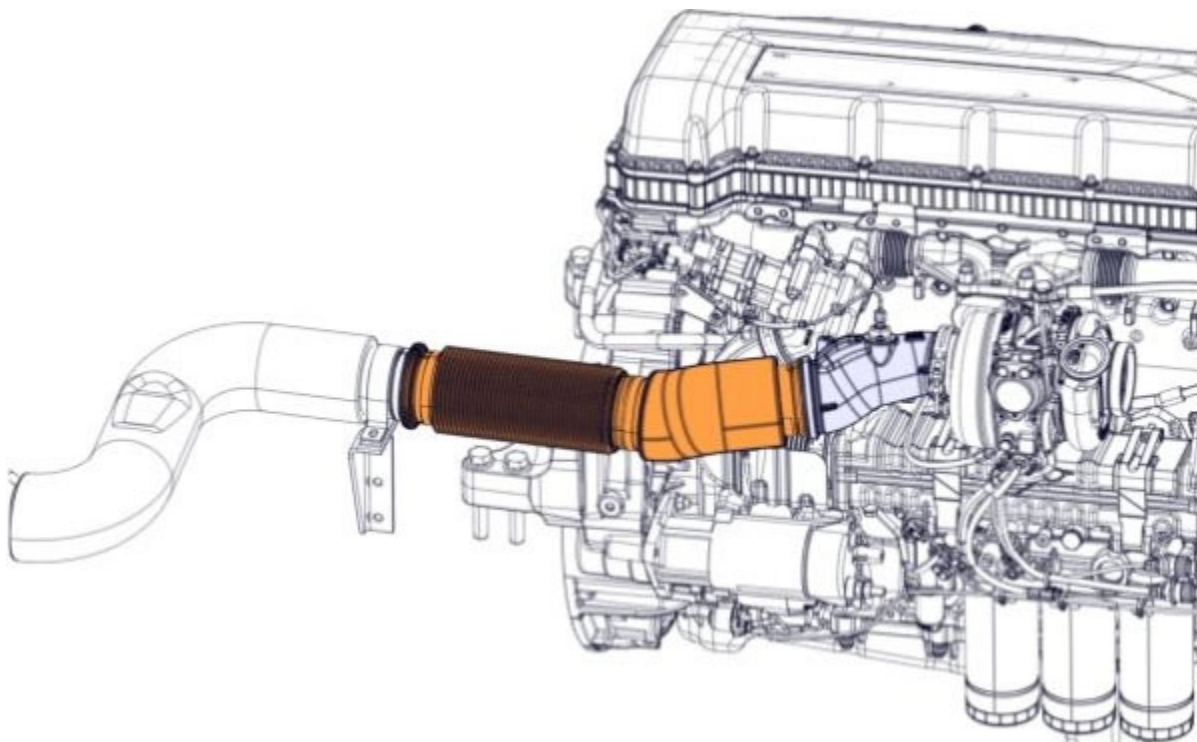
- 5) Loosen the clamp.
- 6) Remove the inlet hose.



7) Remove the clamps.

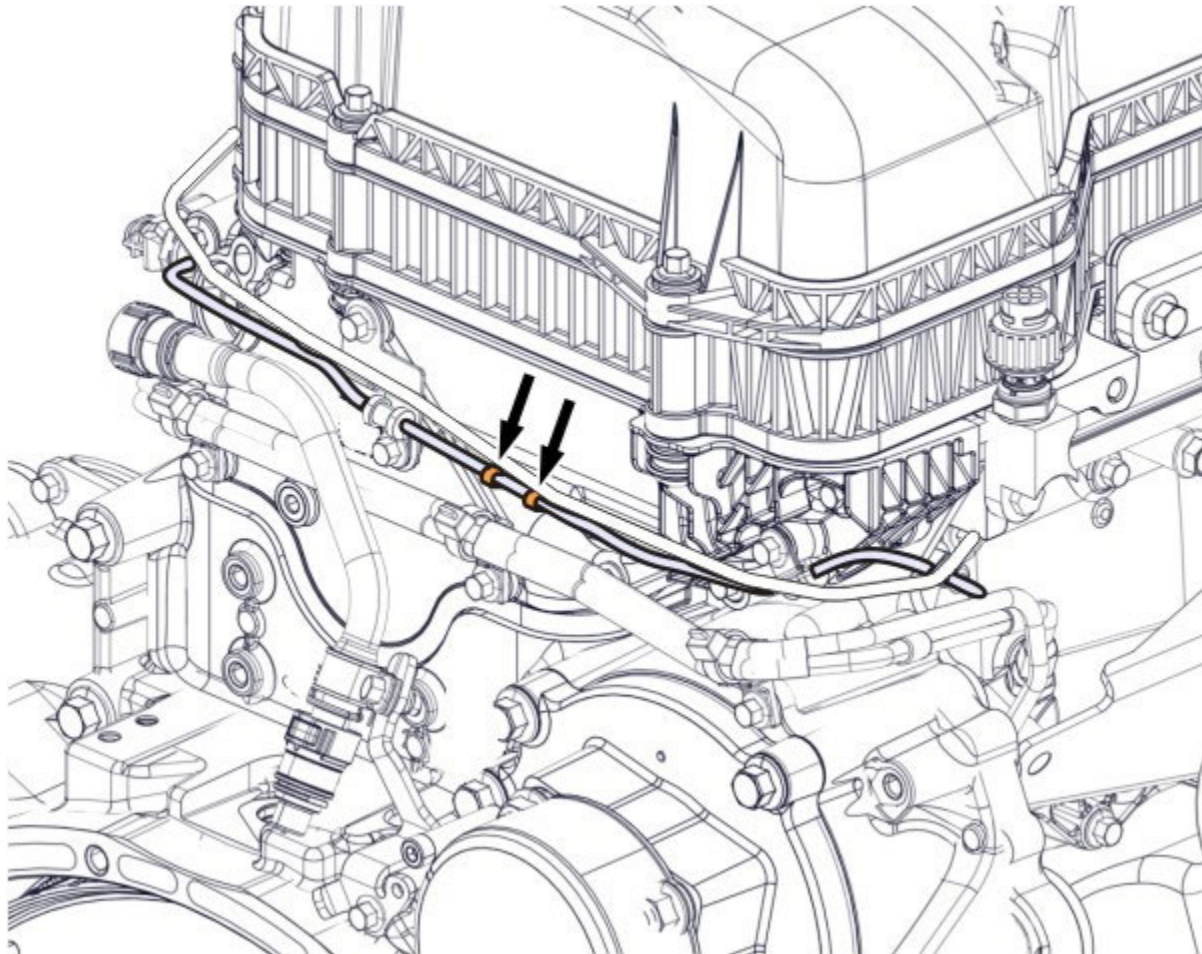


8) Remove the pipe.



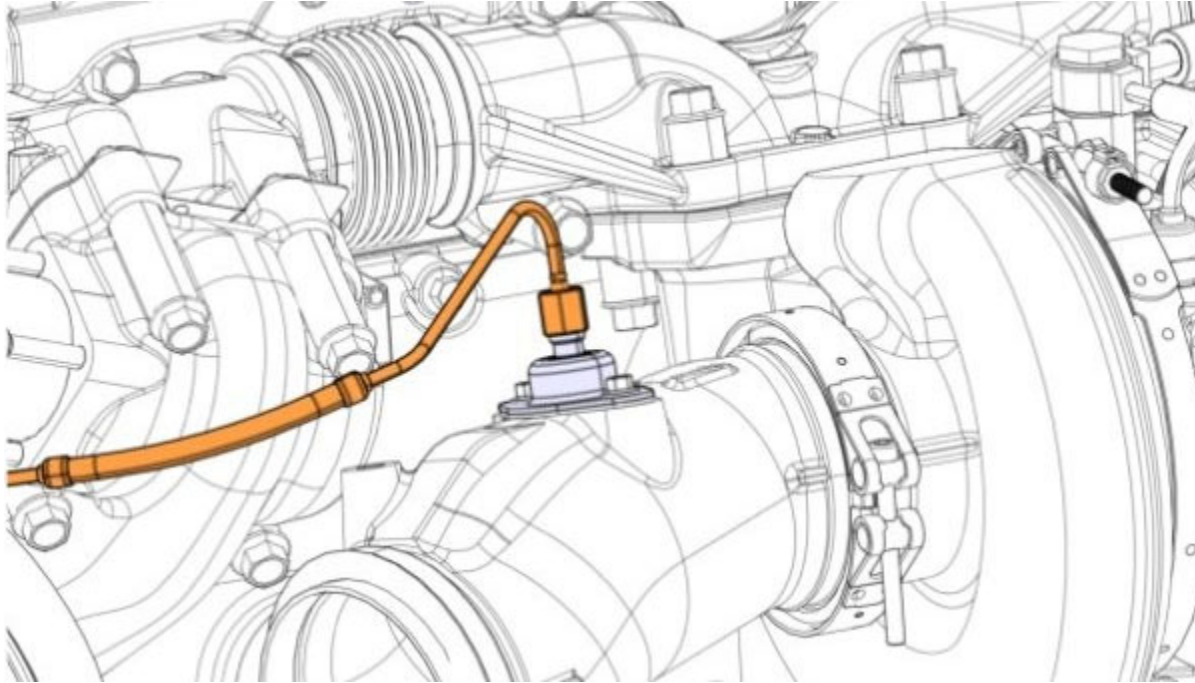
9) Remove a marking ring.

Note: The pipe can be reused only a limited number of times. If the ring is missing, replace the pipe.

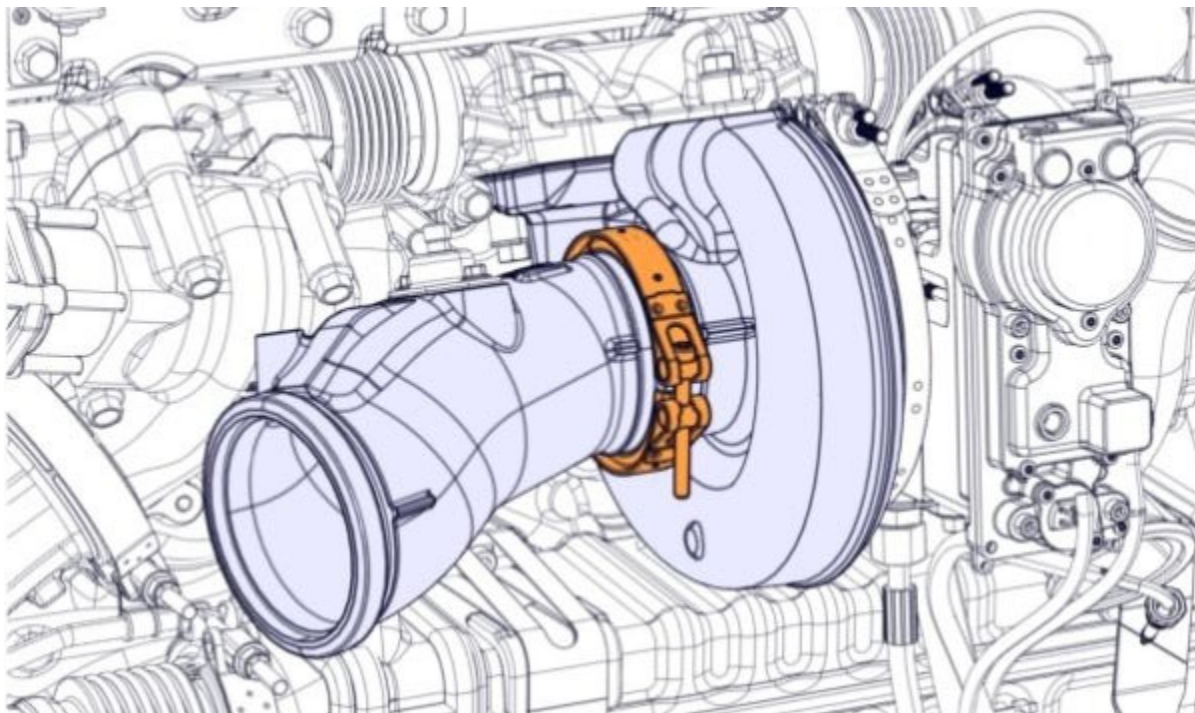


10) Loosen the fitting nut.

11) Move the pipe aside.

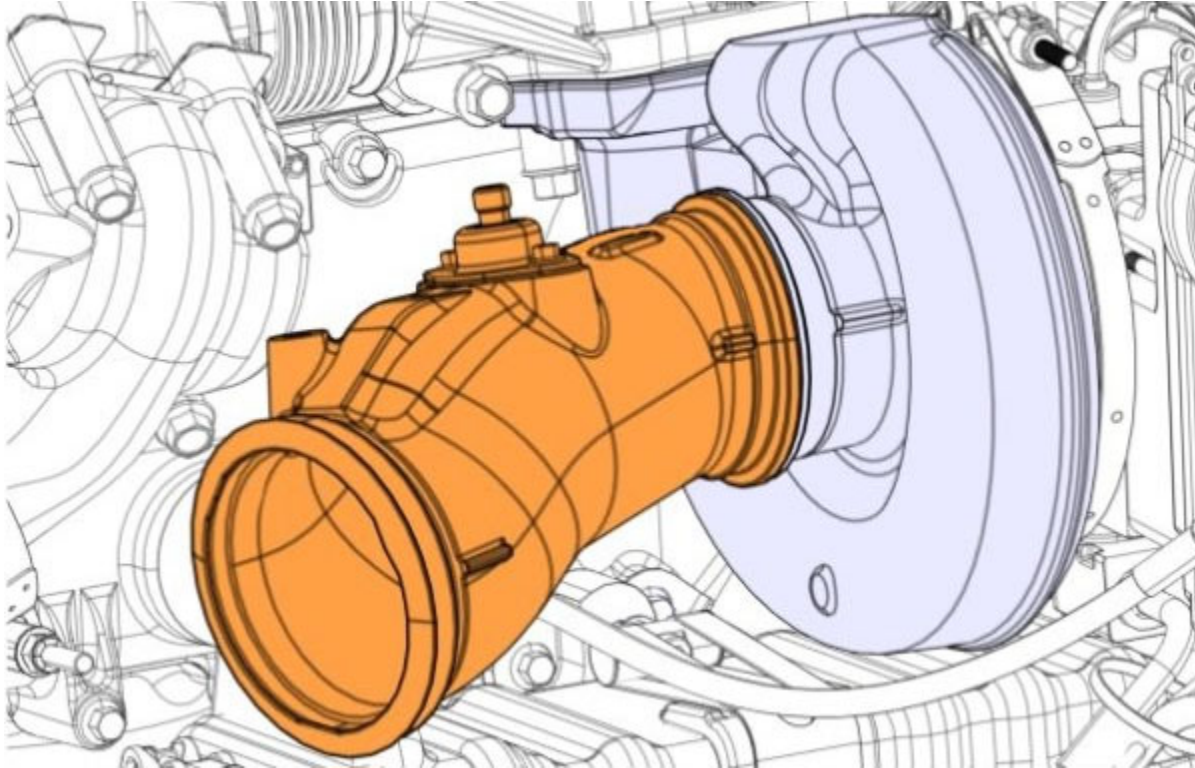


12) Remove the clamp.



13) Remove the diffuser.

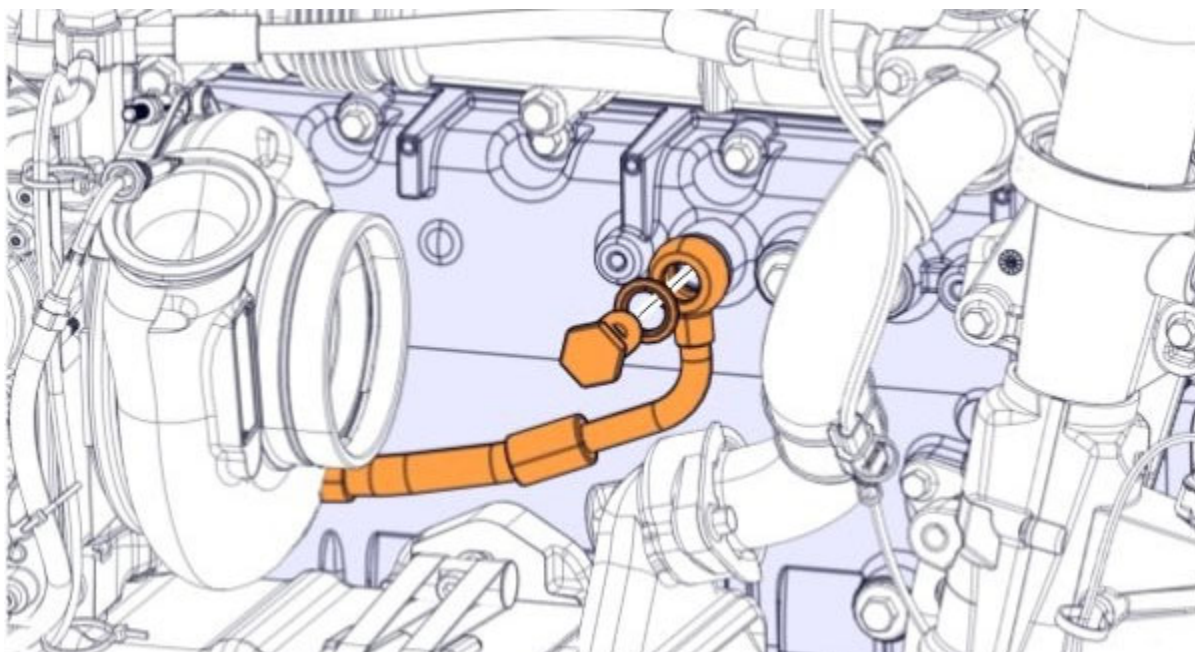
Note: Discard the gaskets.



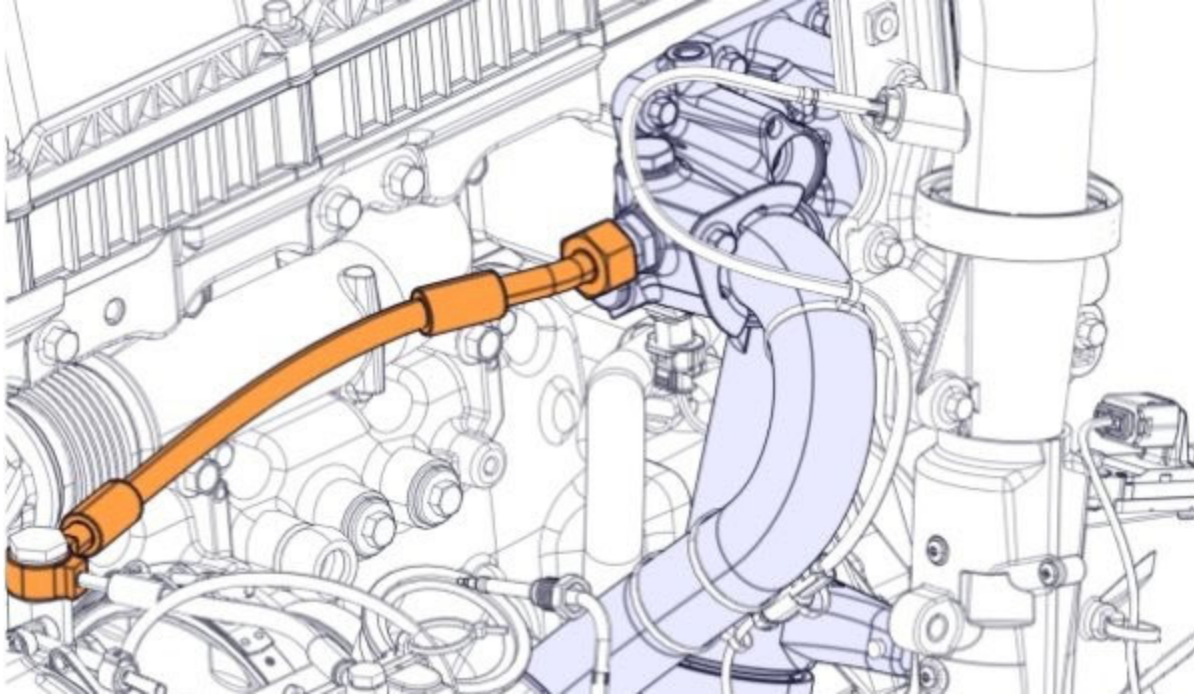
14) Remove the hollow screw.

15) Remove the seals.

16) Remove the pipe.



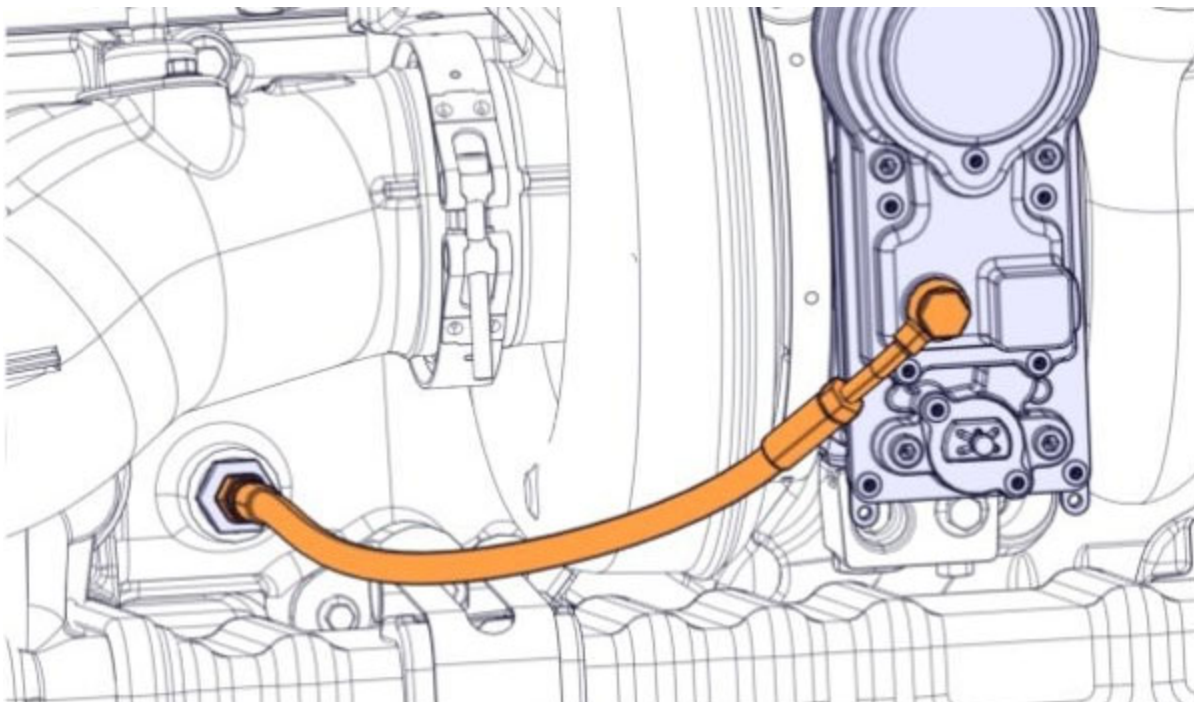
- 17) Remove the pipe.



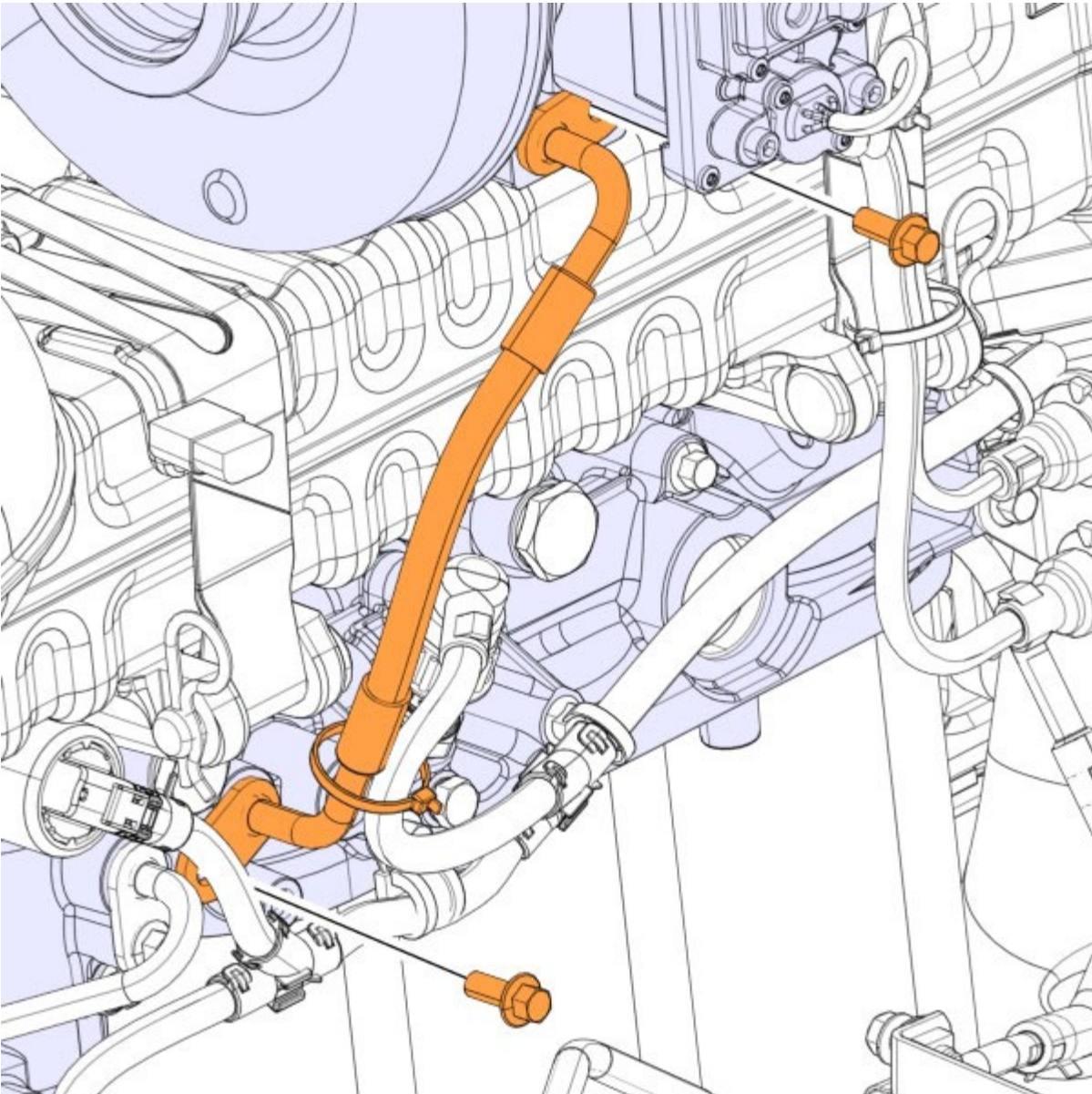
- 18) Remove the hollow screw.

- 19) Remove the seals.

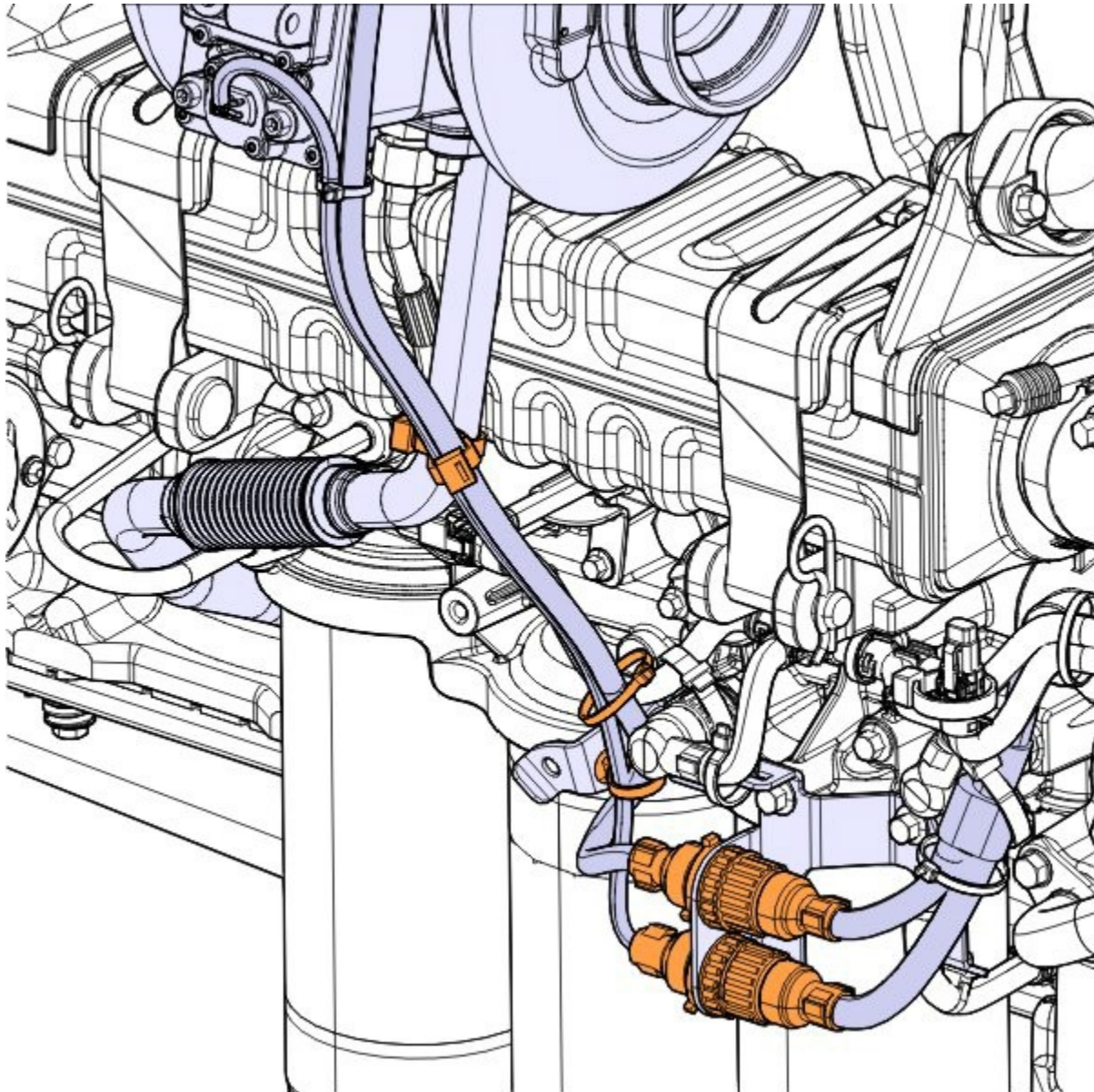
- 20) Remove the pipe.



- 21) Remove the cable tie.
- 22) Remove the screws.
- 23) Remove the pressure hose.



- 24) Remove the cable ties.
- 25) Disconnect the connectors.
- 26) Move the cable harnesses aside.



27) Remove the screws along with the spacer sleeves.



WARNING

Risk of serious injury.

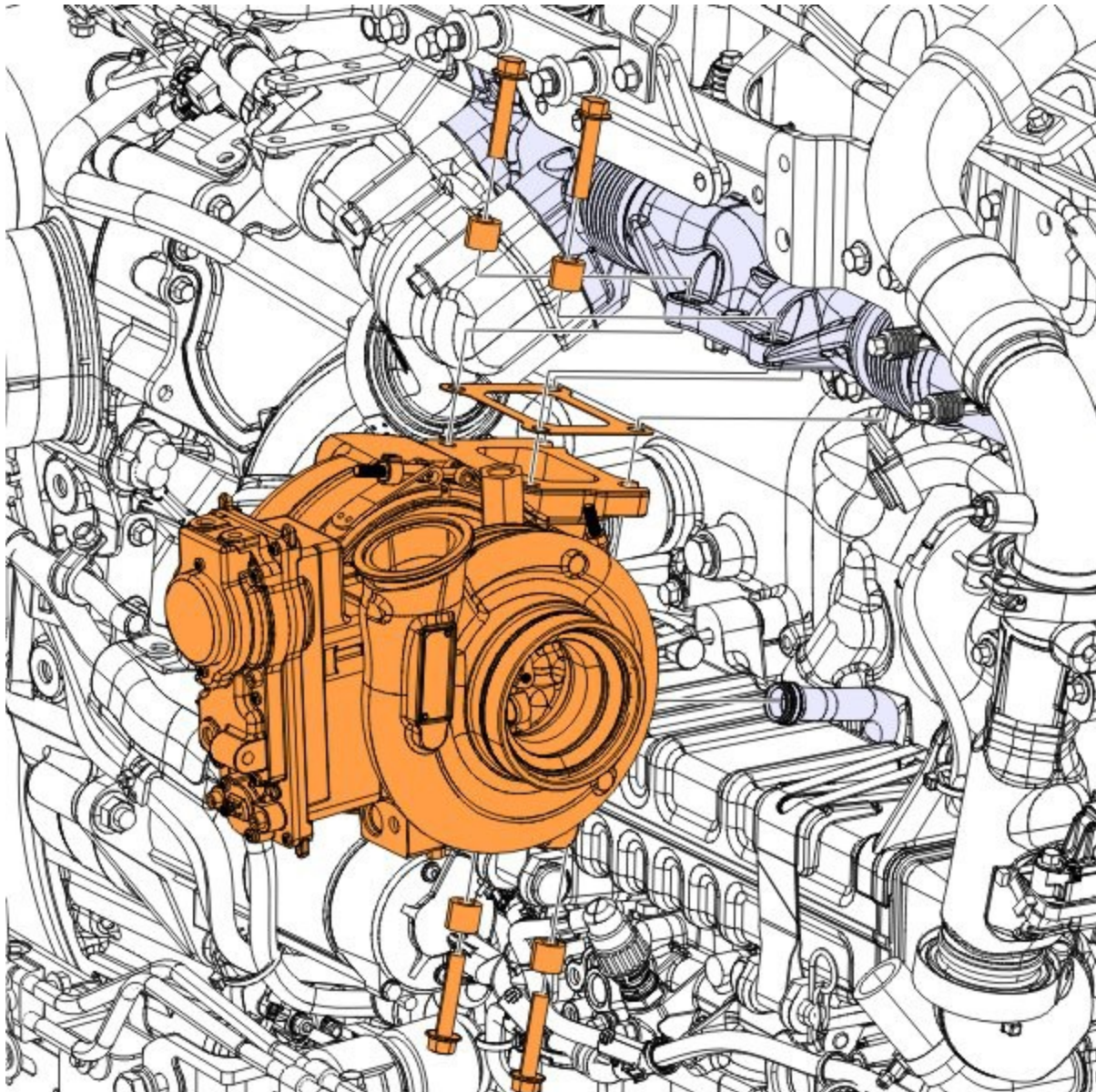
Heavy component.

► Exercise caution when moving the component. Assistance is required.

28) Remove the turbocharger.

Note: Do not damage the oil return pipe.

29) Remove the gasket.

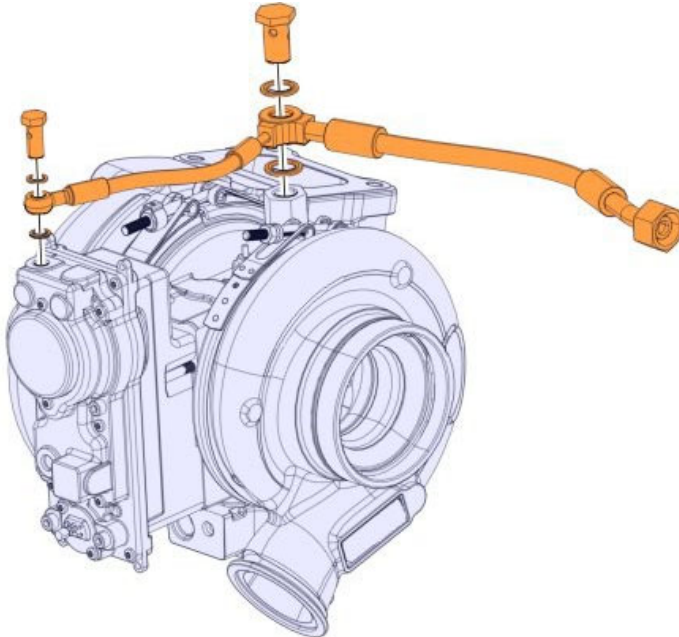


30) Remove the screws.

31) Remove the seals.

Note: Discard the seals.

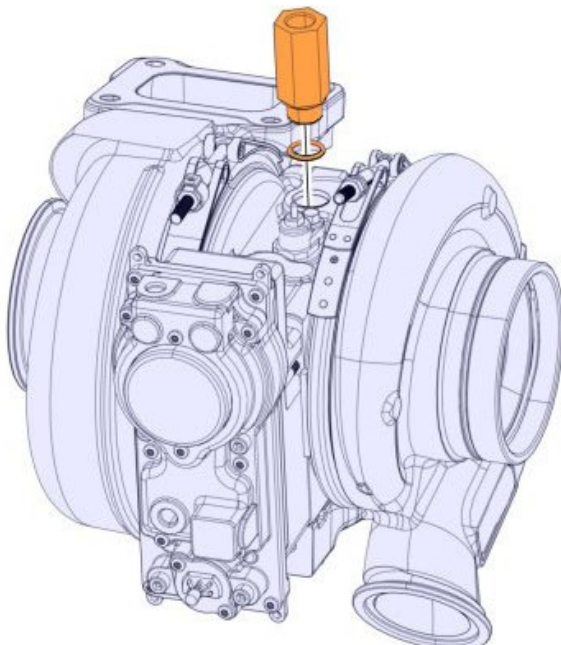
32) Remove the pipe.



33) Remove the stand.

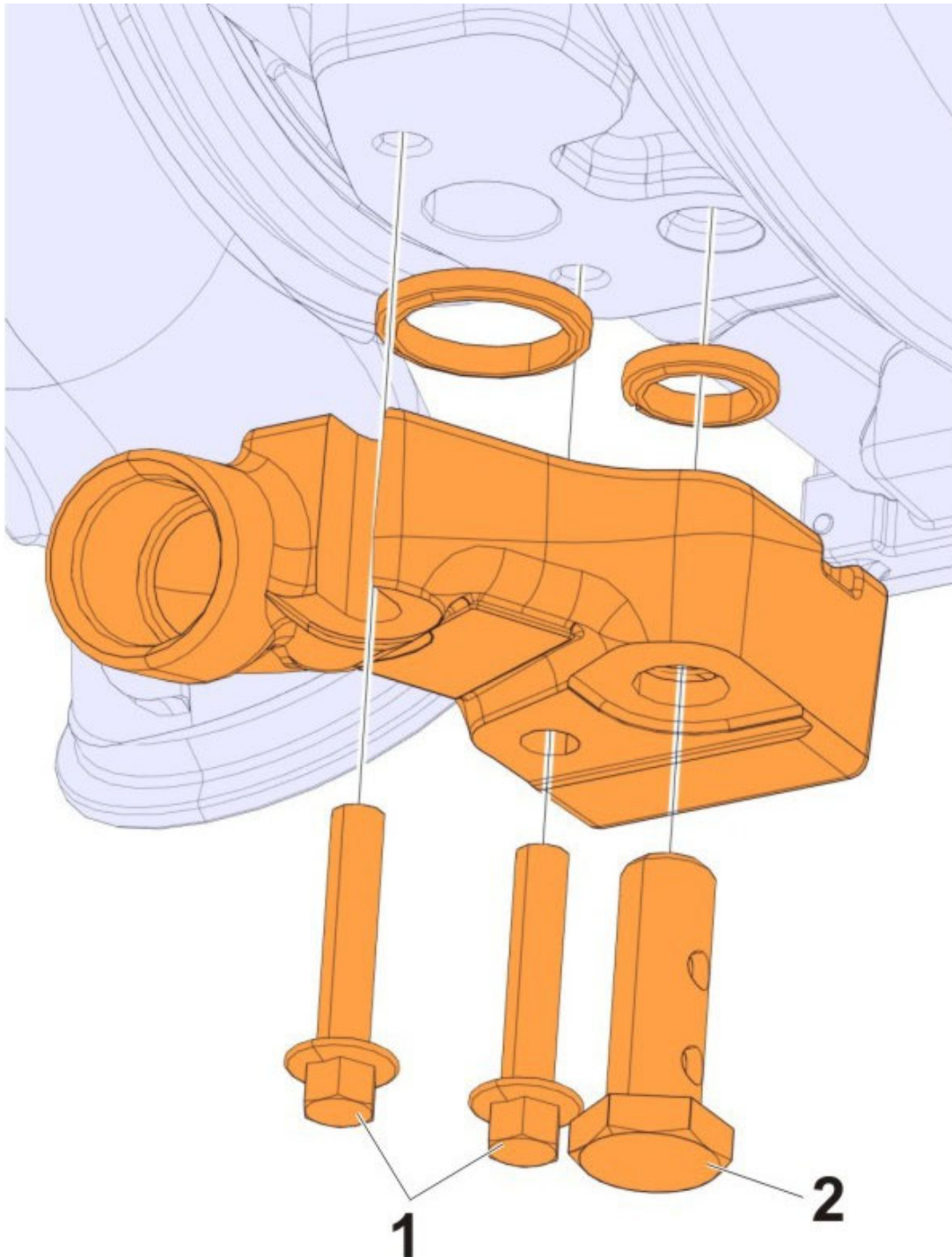
34) Remove the seal.

Note: Discard the seal.



- 35) Remove the screws.
- 36) Remove the connector.
- 37) Remove the seals.

Note: Discard the seals.

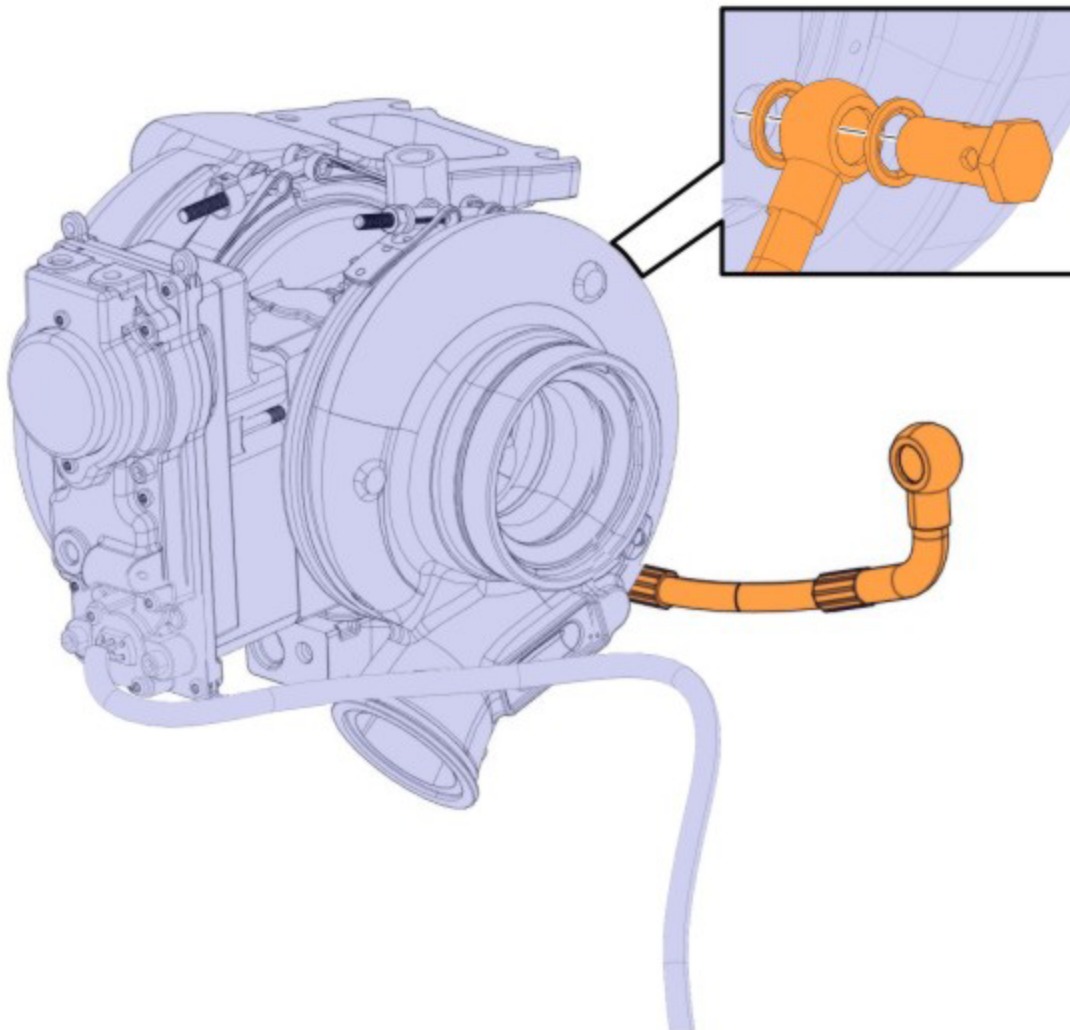


38) Remove the hollow screw.

39) Remove the seals.

Note: Discard the seals.

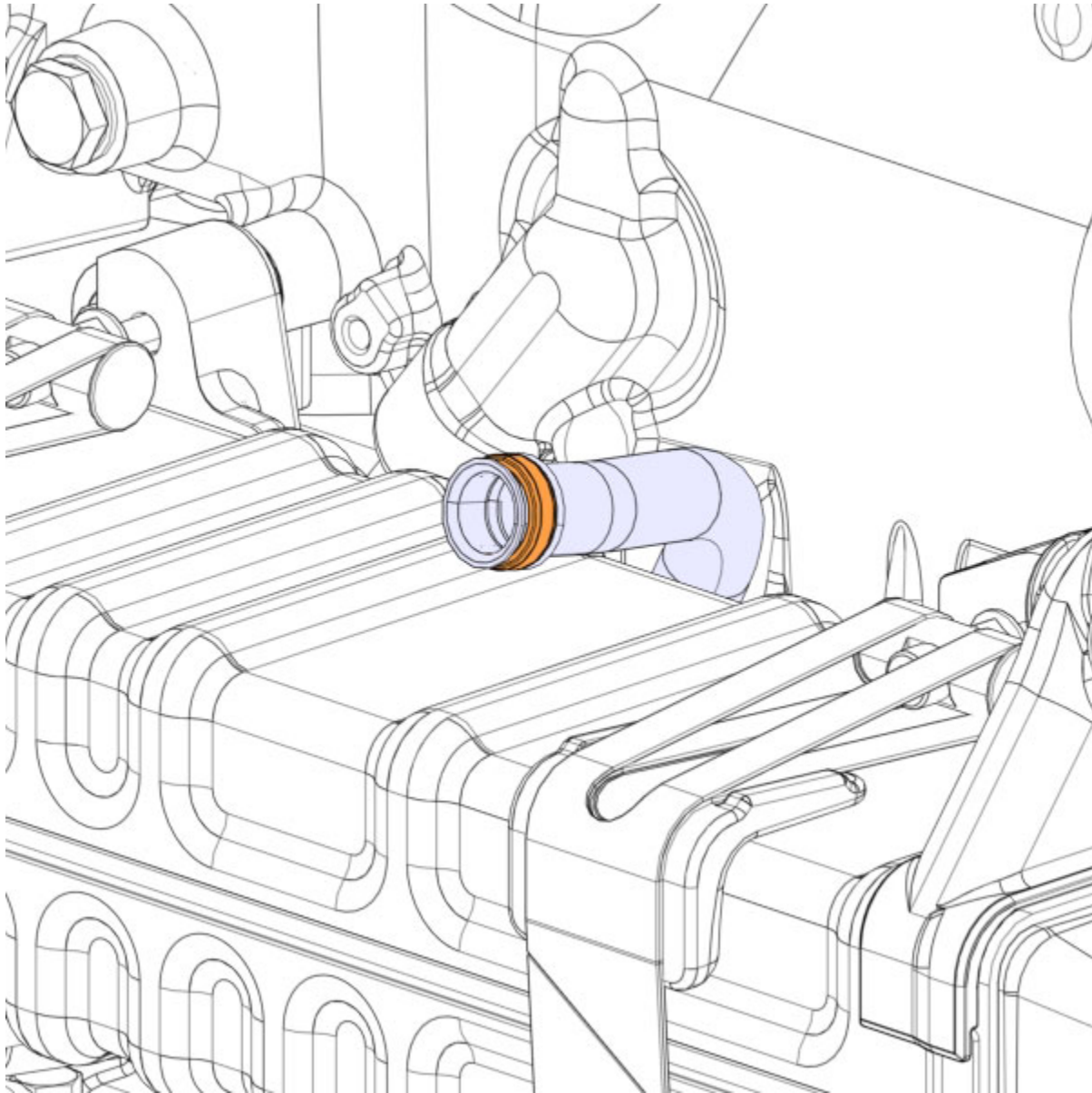
40) Remove the pipe.



41) Transfer the parts

42) Install the seal.

Note: Use a new part.



43) Install the gasket.

Note: Use a new part.



WARNING

Risk of serious injury.

Heavy component.

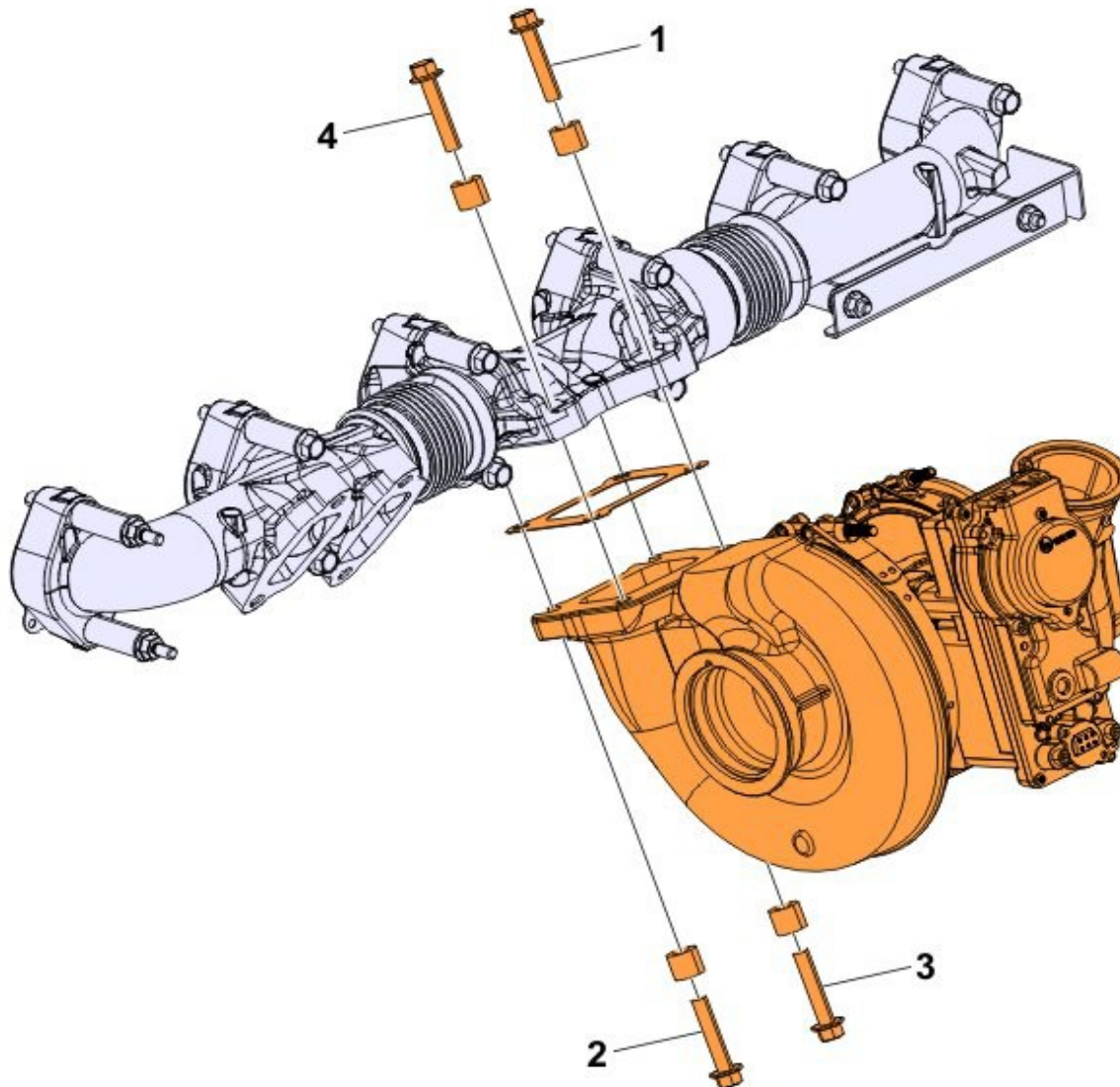
► Exercise caution when moving the component. Assistance is required.

44) Install the turbocharger.

Note: Position the oil return pipe carefully.

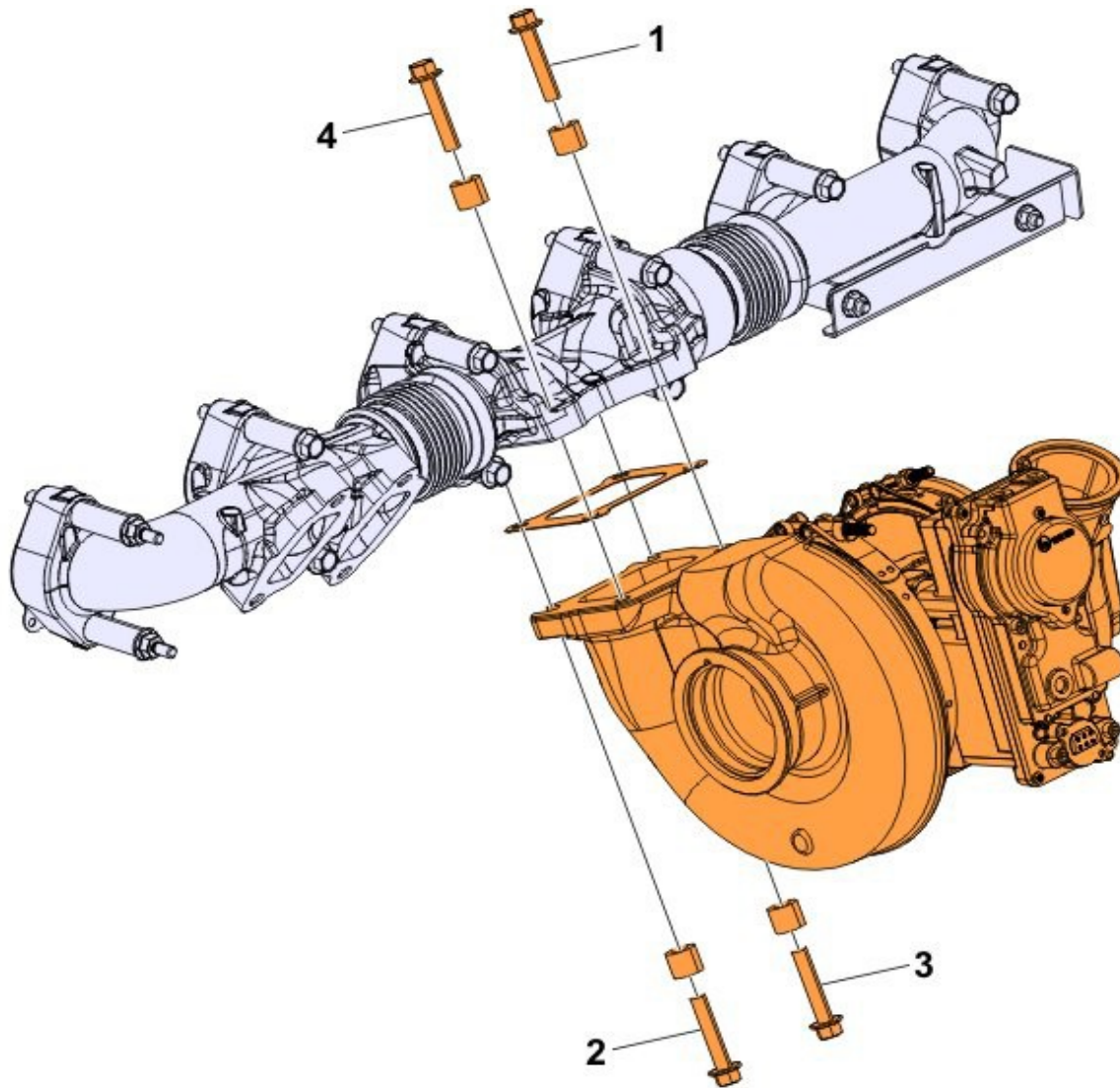
45) Install the spacer sleeves and the screws.

Note: Use a new part.



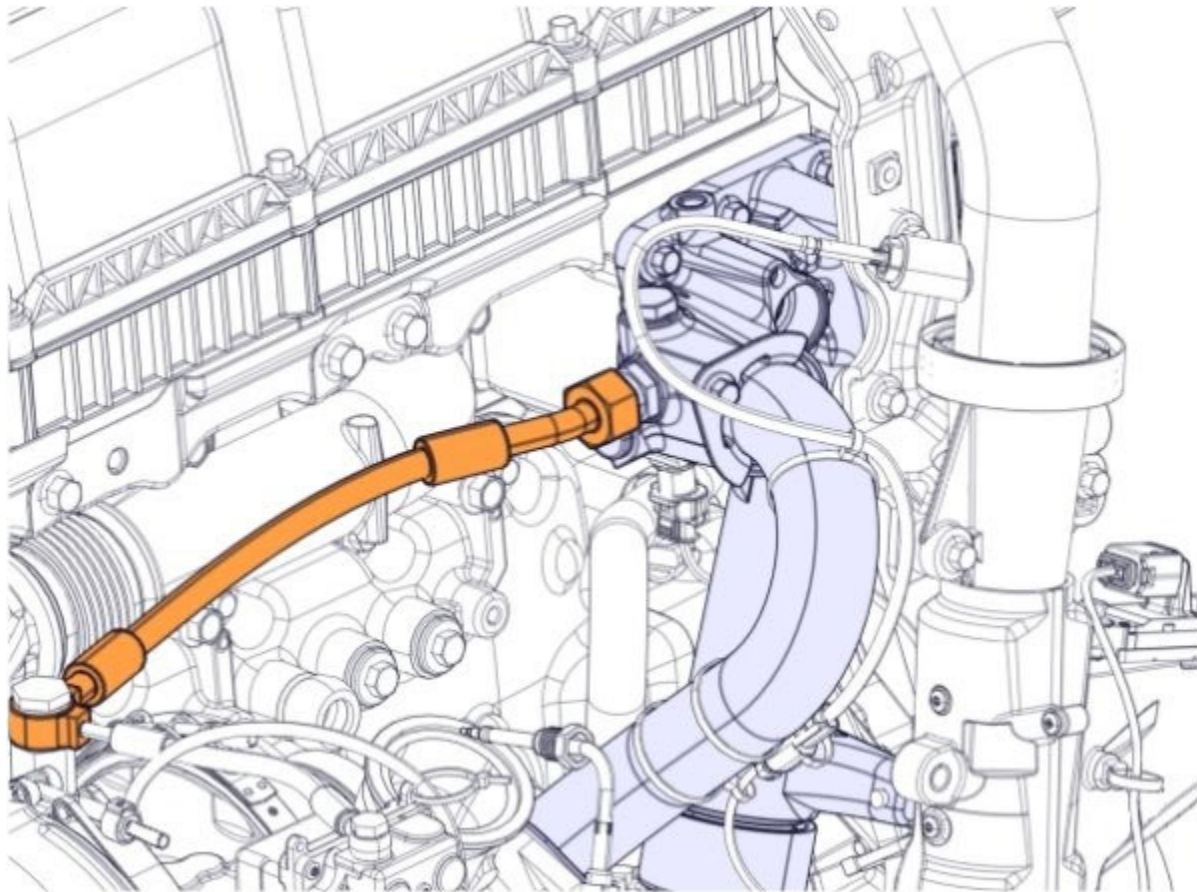
46) Torque tighten the screws.

Tightening torque		
Turbocharger, nut	1.	Tightening sequence: 1-4
		20 ±4 Nm (15 ±3 lb-ft)
	2.	Tightening sequence: 1-4
		48 ±8 Nm (35 ±6 lb-ft)



- 47) Install the pipe.
- 48) Torque tighten the fitting nut.

Tightening torque	
Turbocharger, nipple	60 ±6 Nm (44 ±4 lb-ft)

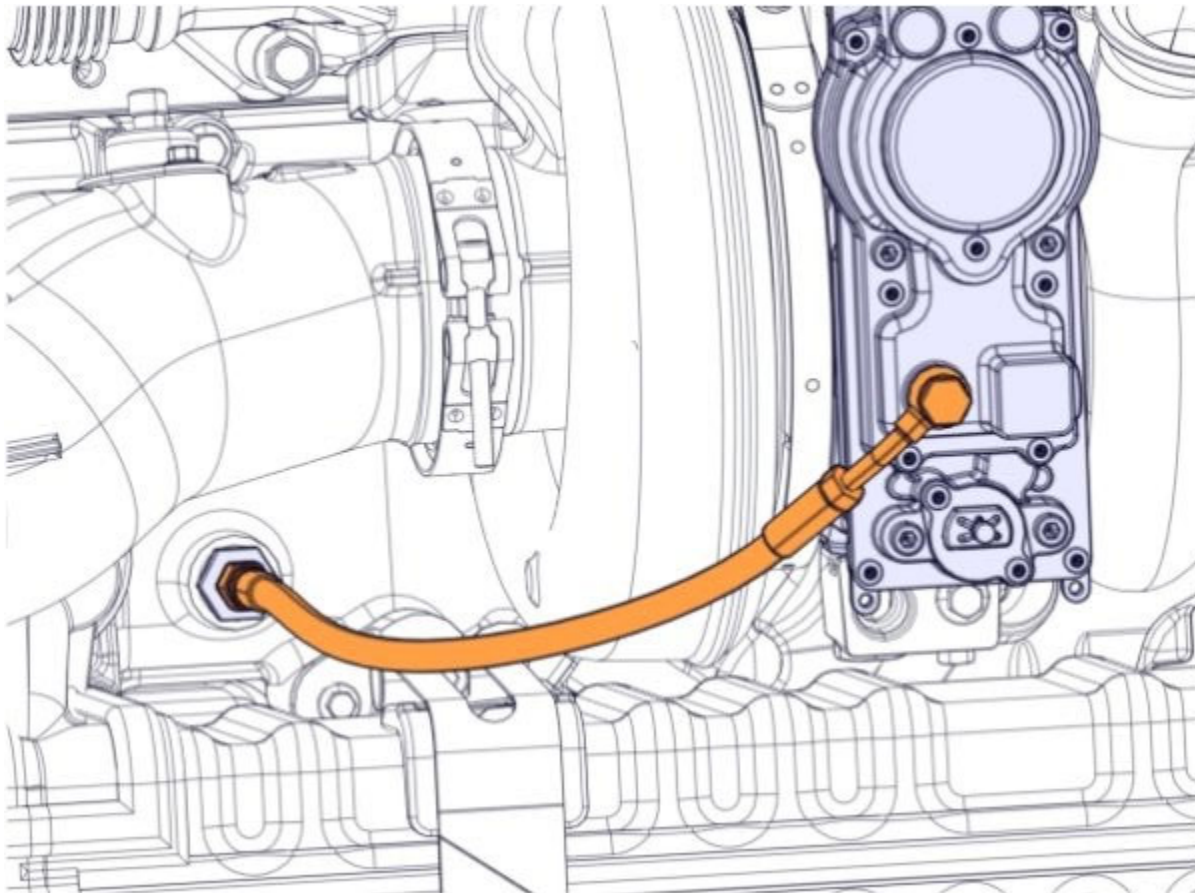


- 49) Install the pipe.
- 50) Install the seals and the hollow screw.

Note: Use new seals.

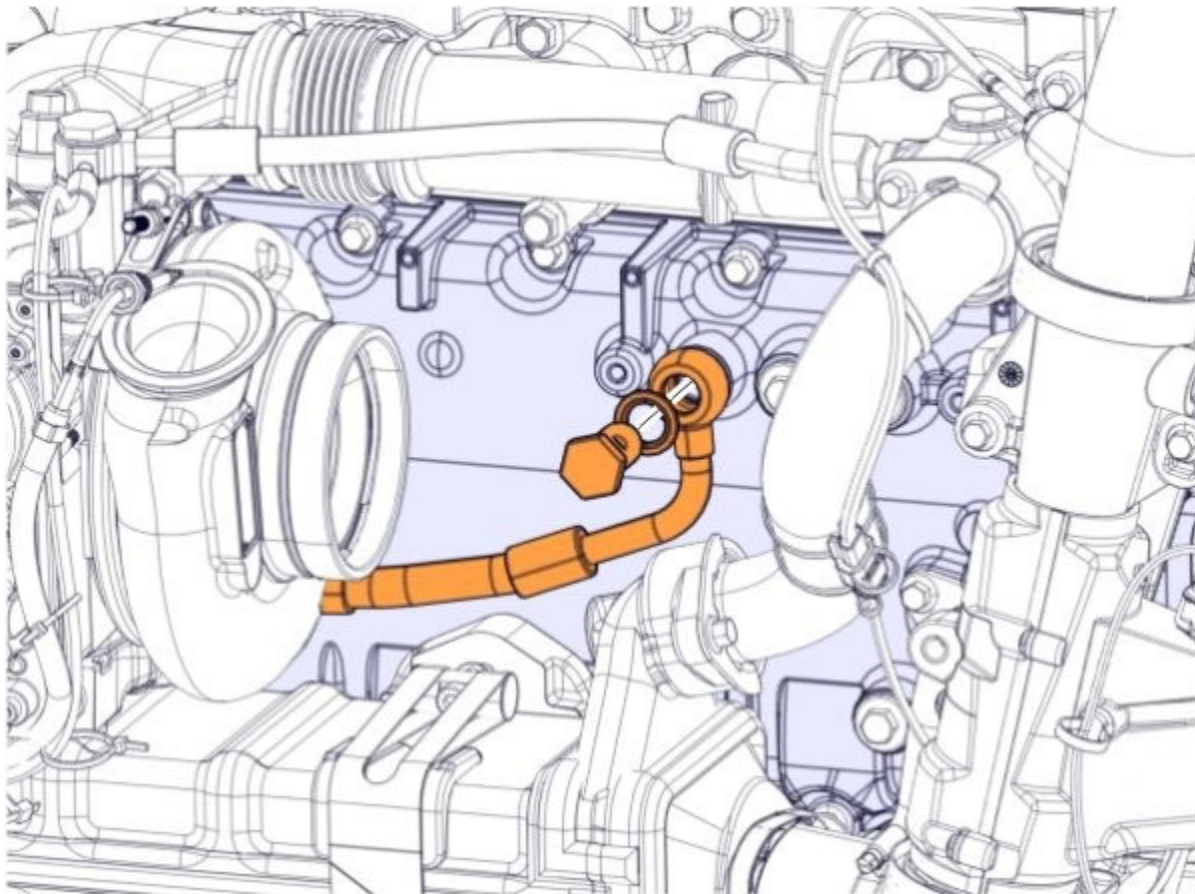
- 51) Torque tighten the hollow screw.

Tightening torque	
Turbocharger, coolant pipe, screw	26 ±4 Nm (19 ±3 lb-ft)



- 52) Install the pipe.
 - 53) Install the seals and hollow screw.
- Note: Use new seals.
- 54) Torque tighten the hollow screw.

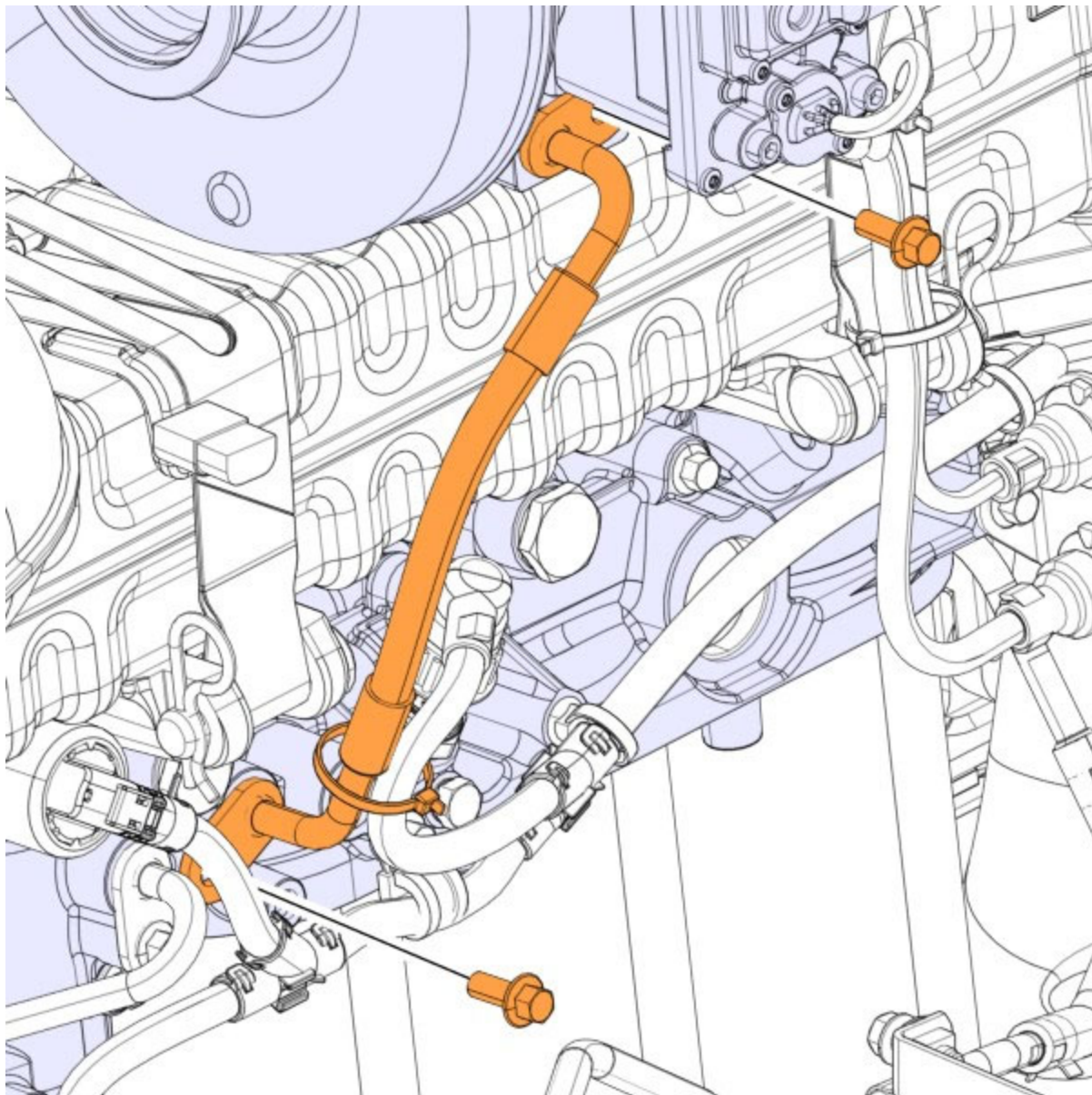
Tightening torque	
Cooling pipe, hollow screw	M18
	60 ±10 Nm (44 ±7 lb-ft)



- 55) Install the pressure hose.
- 56) Install the screws.
- 57) Tighten the screws to torque.

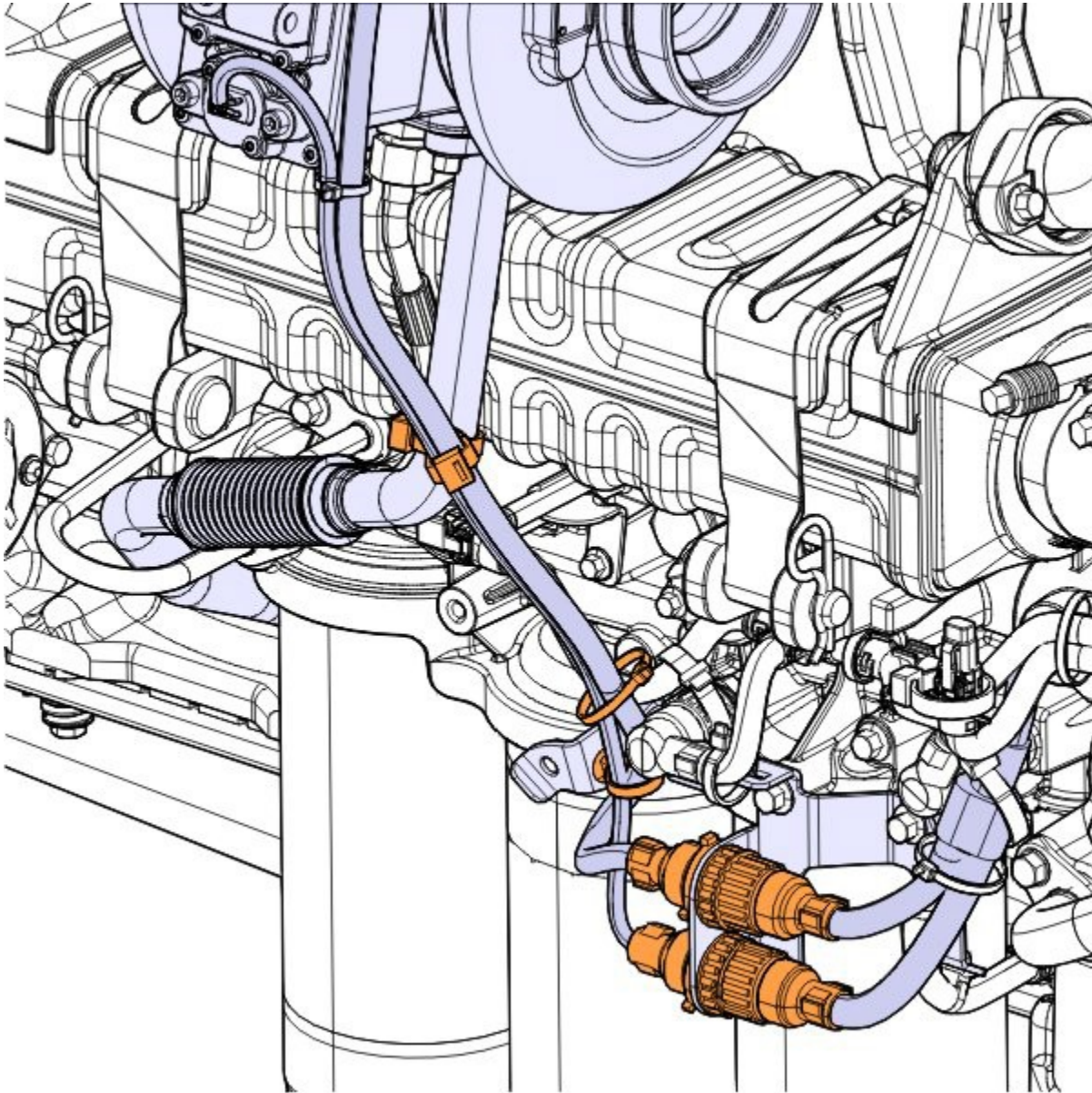
Tightening torque	
Oil pipe, screw	24 ±4 Nm (18 ±3 lb-ft)

- 58) Install the cable tie.



59) Connect the connectors.

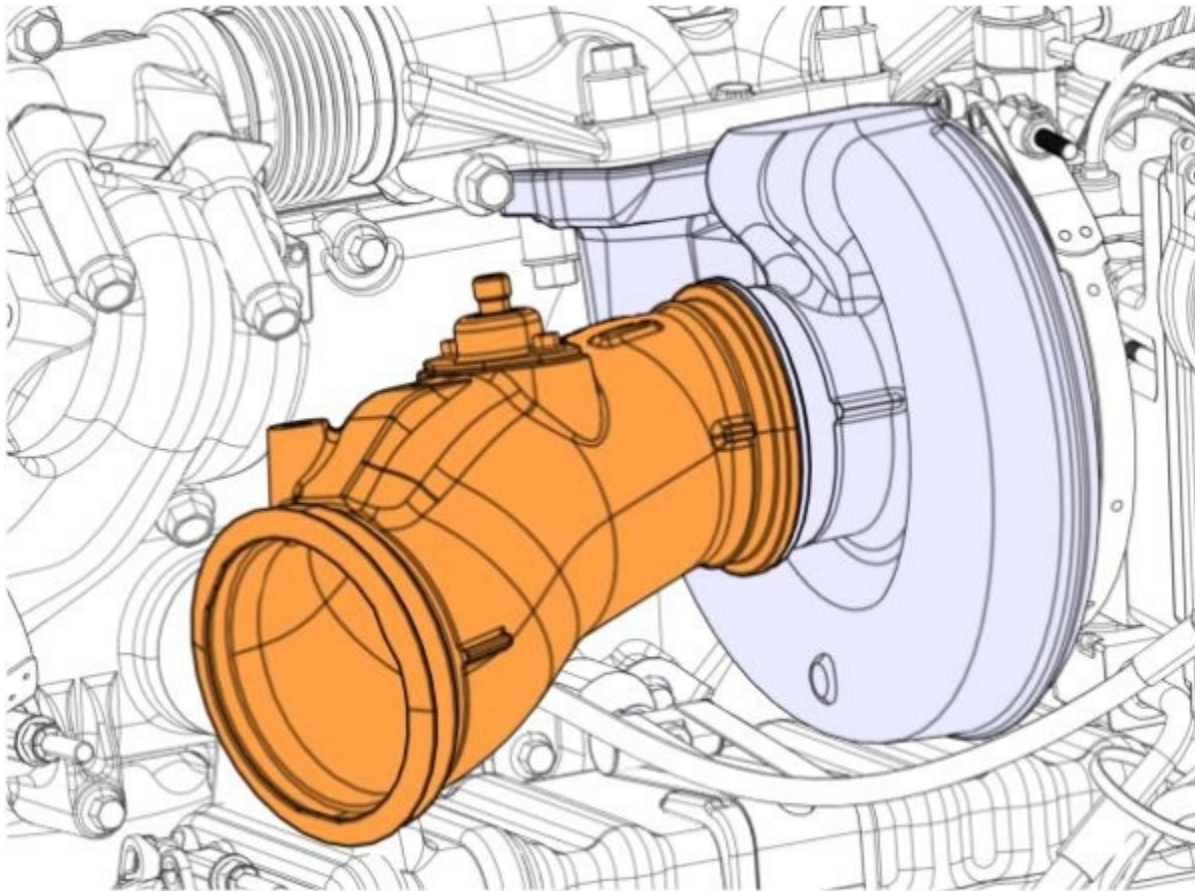
60) Install the cable ties.



61) Install the gasket.

Note: Use a new part.

62) Install the diffuser.



64) Install the clamp.

Note: - Use a new part.

- Seat the clamp by tapping it into place between tightening sequences.
- Only use a suitable hand tool.

⚠ DANGER

Risk of material damage, serious personal injury or death.
Connections that are not tightened in accordance with specified tightening torques may cause leakage.

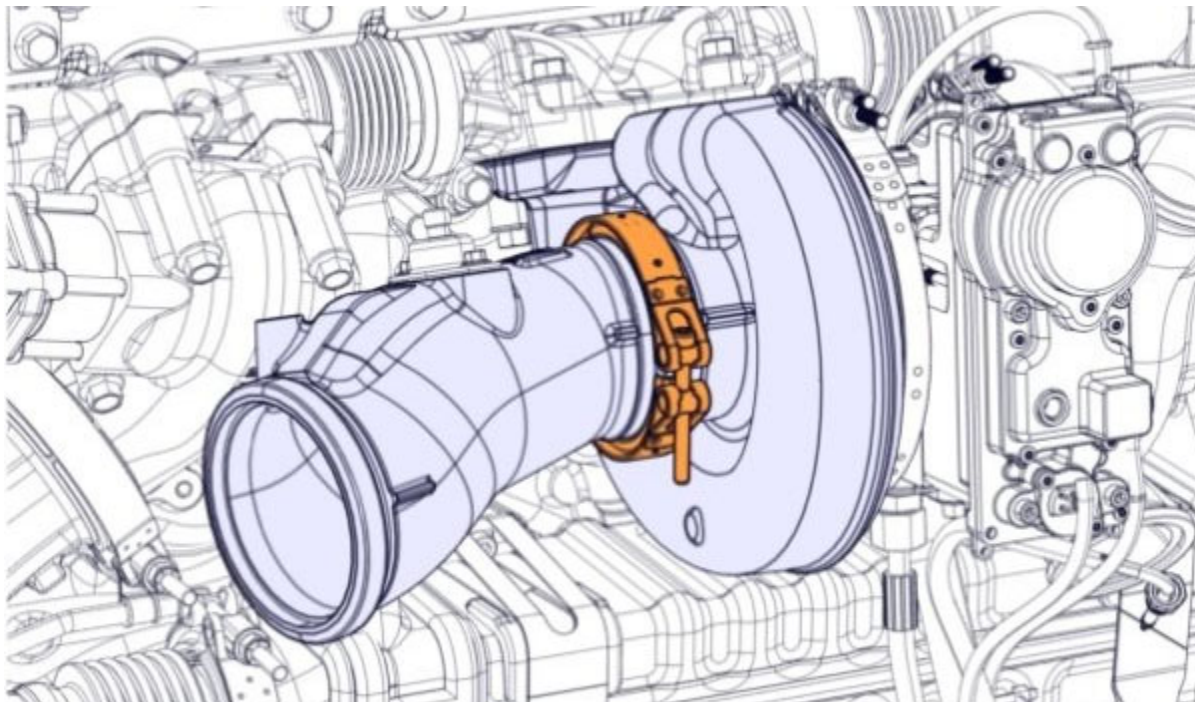
▶ Tighten connections according to service information.

65) Torque tighten the clamp in sequence.

Tightening torque	
V-clamp, pre-torque	7 Nm (5 lb-ft)

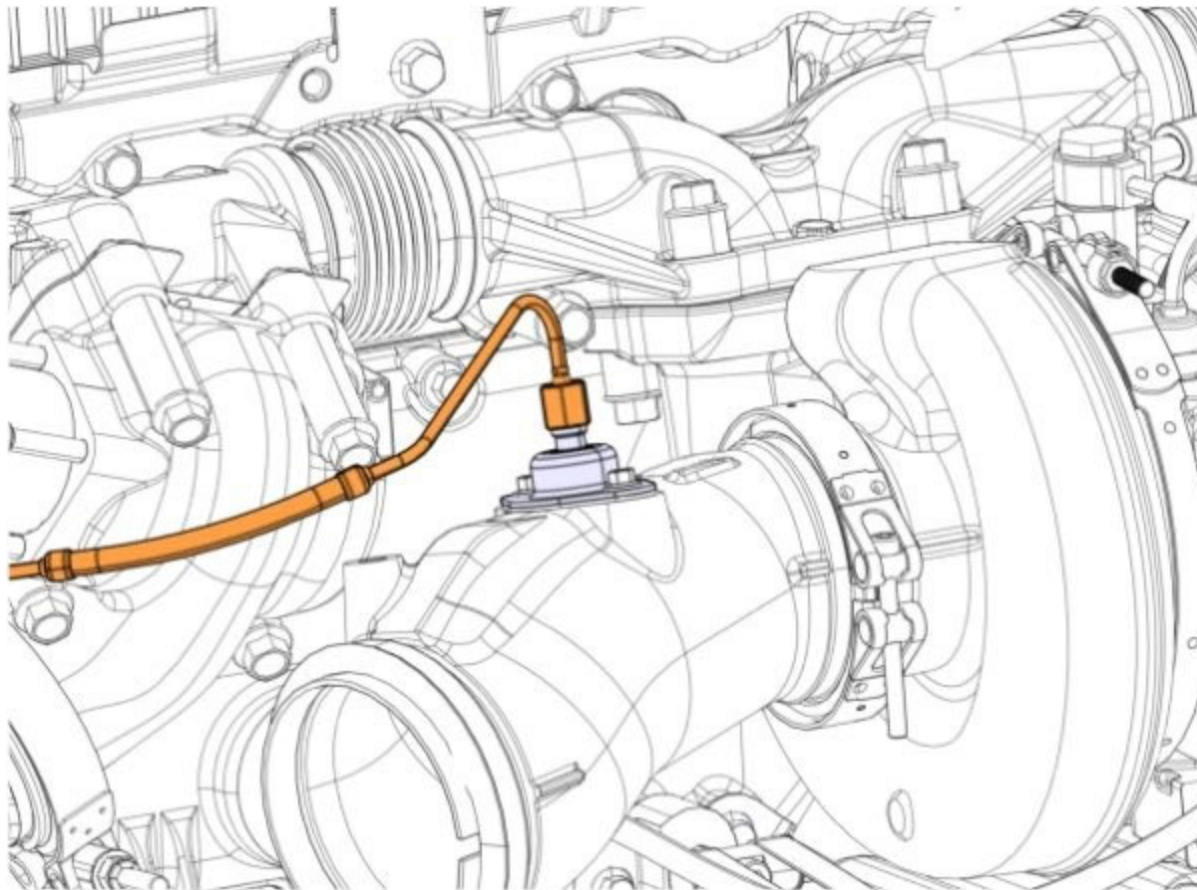
66) Seat the clamp by tapping it into place between tightening sequences.

Tightening torque	
V-clamp, final torque	14 ±2 Nm (10 ±1 lb-ft)



- 67) Install the pipe.
- 68) Torque tighten the fitting.

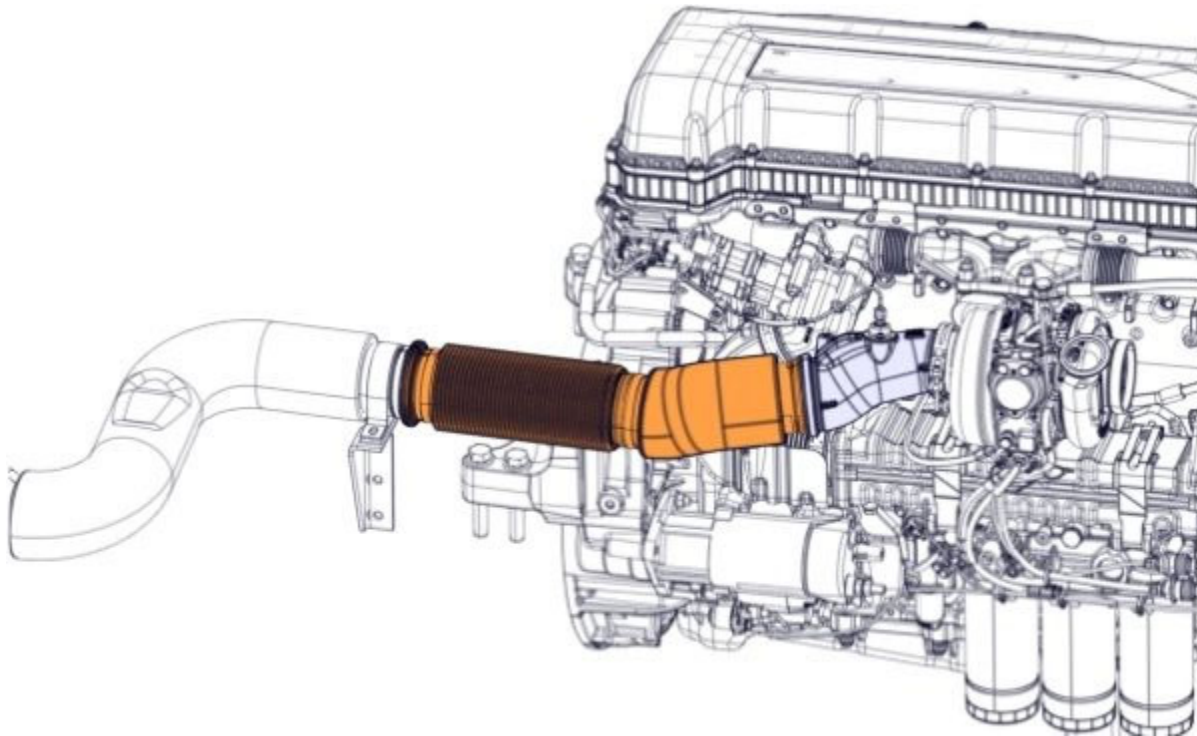
Tightening torque	
Fitting	#4
	15 ±1 Nm (11 ±1 lb-ft)



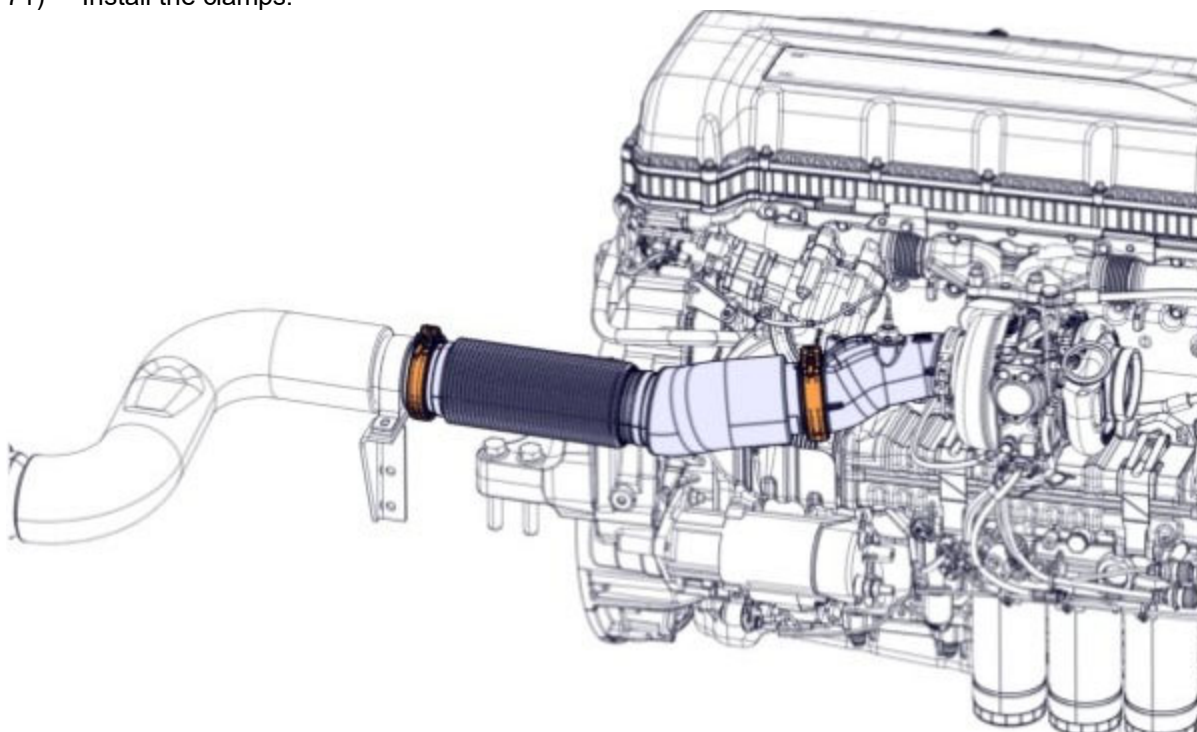
69) Install the gasket.

Note: Use a new part.

70) Install the pipe.



71) Install the clamps.



72) Install the clamp.

Note: - Use a new part.

- Seat the clamp by tapping it into place between tightening sequences.
- Only use a suitable hand tool.



DANGER

Risk of material damage, serious personal injury or death.

Connections that are not tightened in accordance with specified tightening torques may cause leakage.

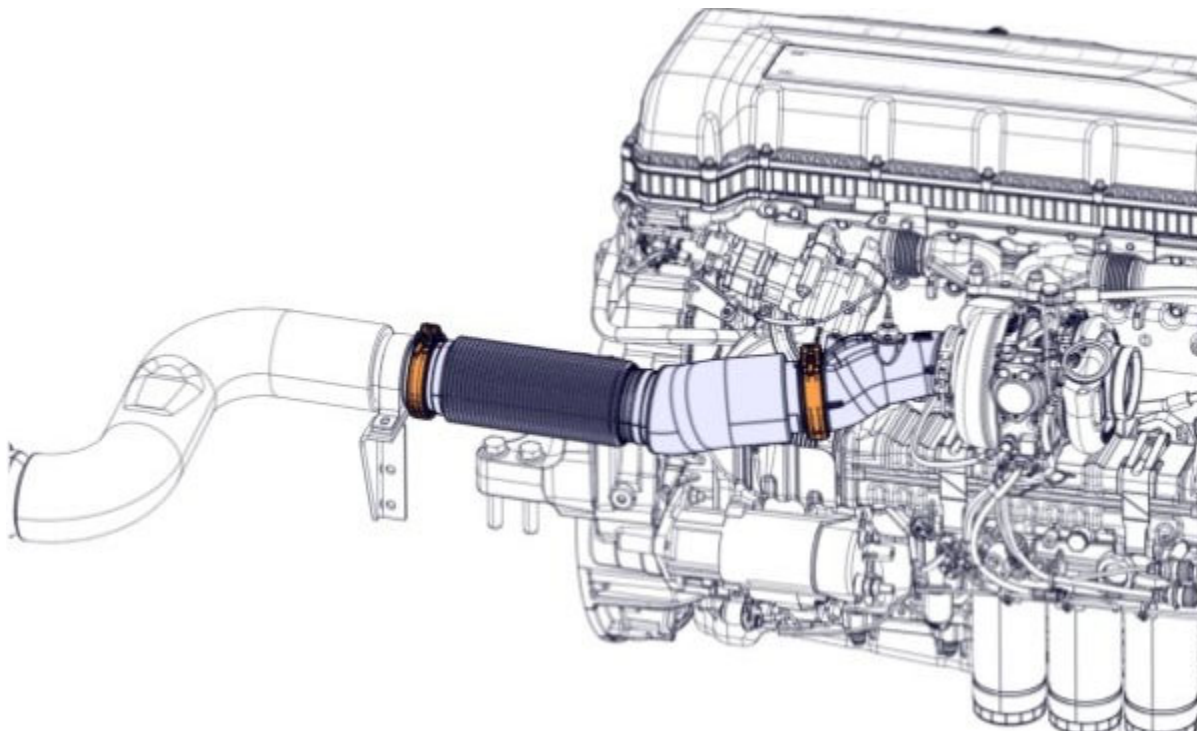
- ▶ Tighten connections according to service information.

73) Torque tighten the clamp in sequence.

Tightening torque	
V-clamp, pre-torque	7 Nm (5 lb-ft)

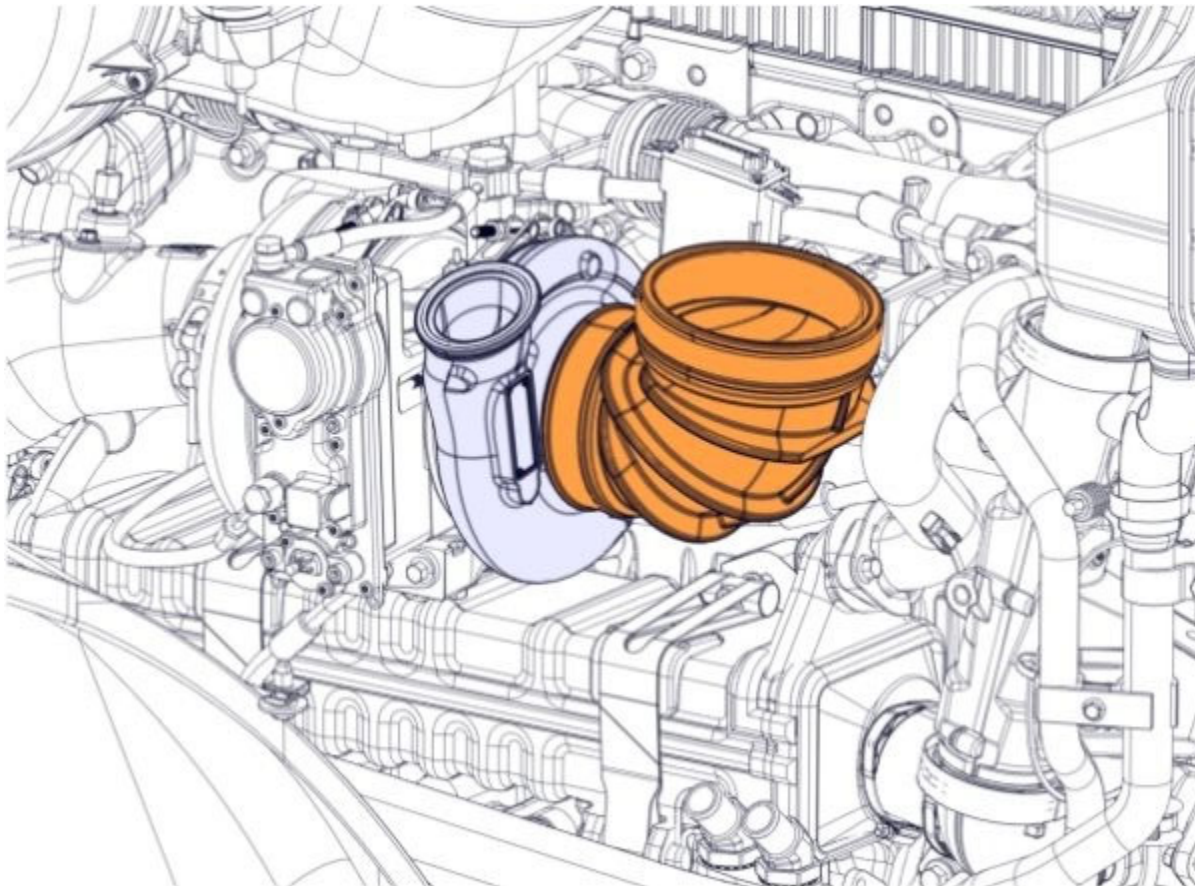
74) Seat the clamp by tapping it into place between tightening sequences.

Tightening torque	
V-clamp, final torque	14 ±2 Nm (10 ±1 lb-ft)



- 75) Install the inlet hose.
- 76) Torque-tighten the clamp.

Tightening torque	
Air inlet hose, clamp	5.5 ±0.8 Nm (49 ±7 lb-in)

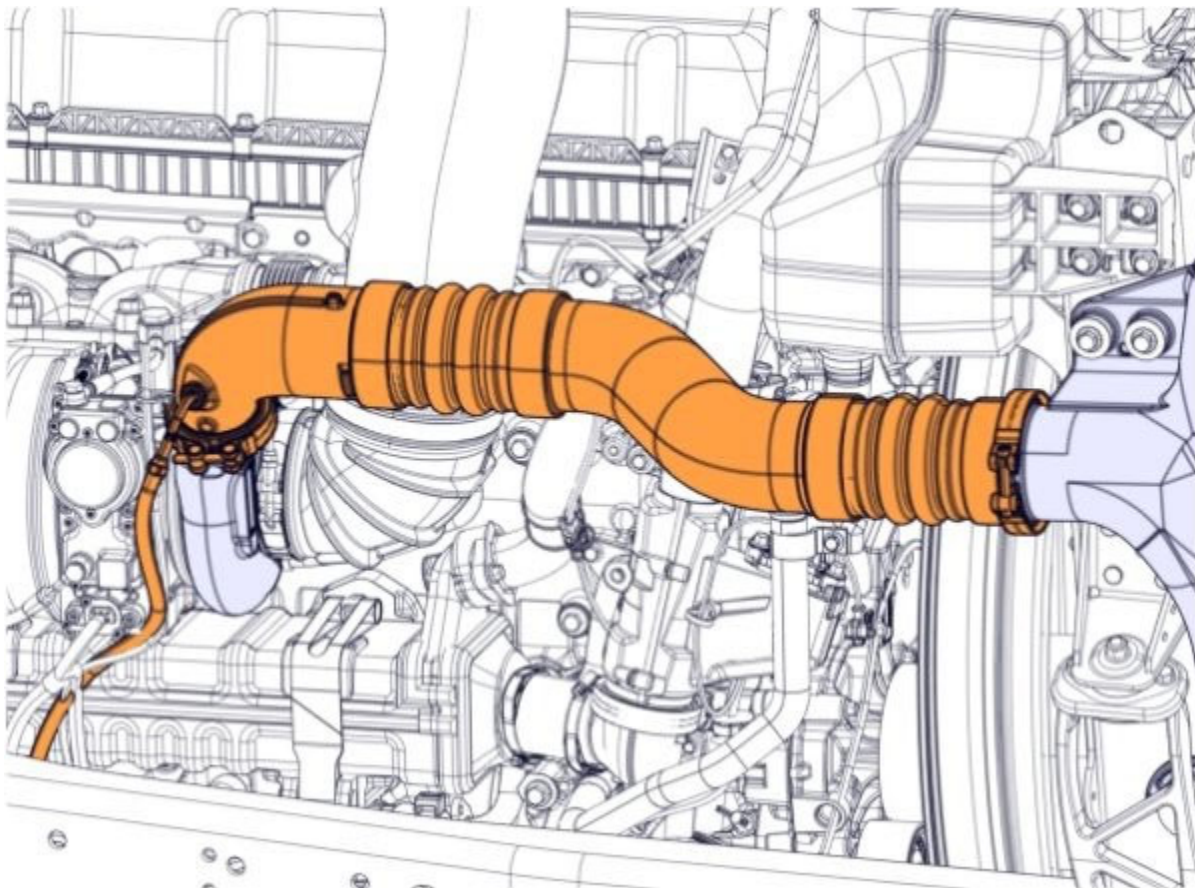


77) Install the pipe assembly.

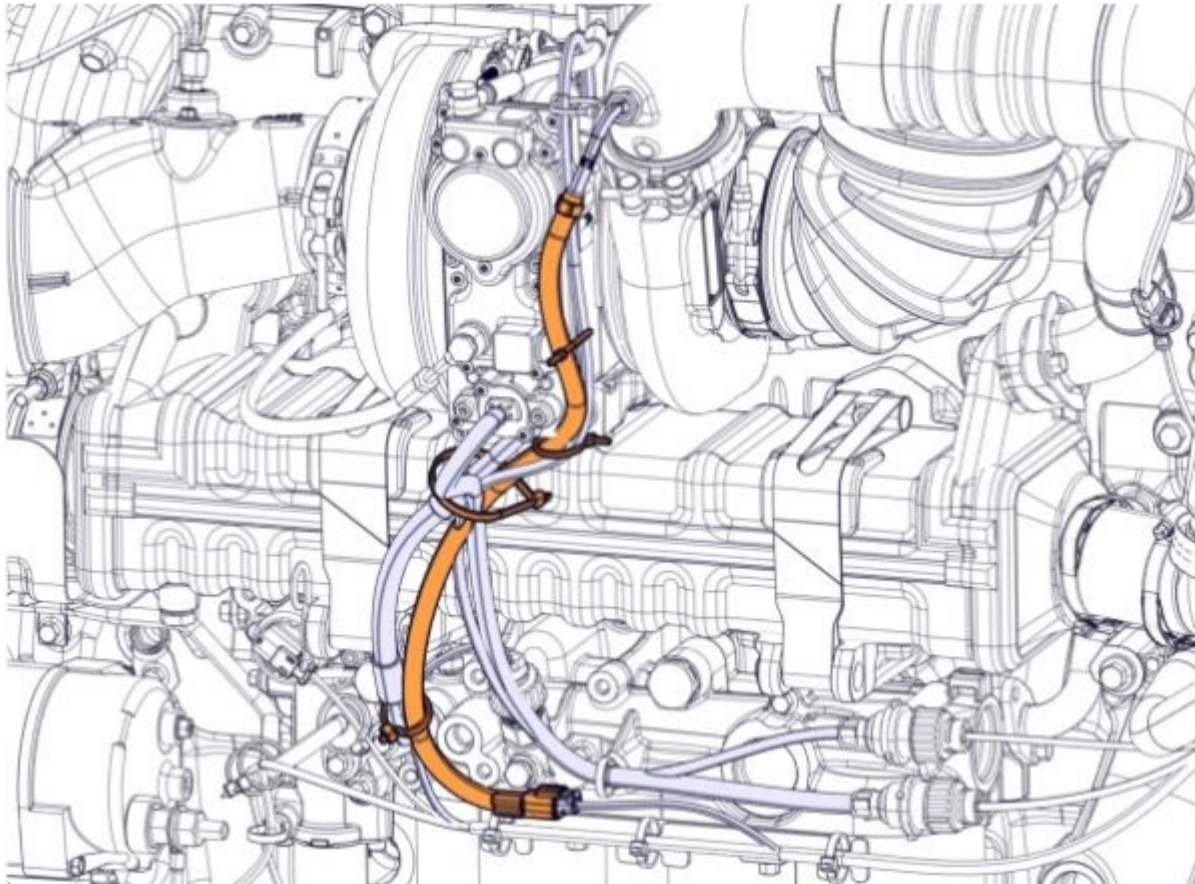
Note: Inspect the seals, replace as needed.

78) Torque tighten the clamps.

Tightening torque	
Air duct clamp	9 ±1 Nm (80 ±9 lb-in)



- 79) Connect the sensor connector.
- 80) Secure the harness with the cable ties.



PARTS / WASTE DISPOSAL

DO NOT RETURN THE REPLACED PARTS. Discard waste according to applicable environmental regulations (Municipal/State [Prov.]/ Federal)

WARRANTY

This modification is covered by Prevest's normal warranty. We will reimburse you the parts and twelve hours (12.0) of labor upon receipt of a warranty claim. Please submit claim via our Online Warranty System, available at www.prevestcar.com (under Service \ Warranty section). Use Claim Type: "Bulletin/Recall" and select "Warranty Bulletin WB24-85".

OTHER

VBC Bulletin	S2404
Fail Code	01.00-2
Defect Code	09
Syst. Cond	B
Causal Part	85137676

Access all our Service Bulletins on
<http://techpub.prevestcar.com/en/>

or scan the QR-Code with your smart phone.

E-mail us at technicalpublications_prev@volvo.com and type "ADD" in the subject to receive our warranty bulletins by e-mail.



Prevest/Volvo Bus engages in a continuous program of testing and evaluating to provide the best possible product. Prevest/Volvo Bus, however, is not committed to, or liable for updating existing products.