

# PREVOST

## Instruction Sheet

## IS-24900

### SIDE CAMERA REARVIEW SYSTEM INSTALLATION H3-45 FROM R-1453 & VIP-45 FROM P-1438







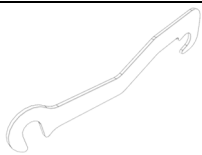
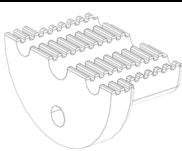



First Release


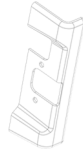


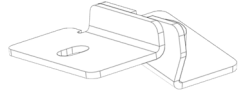

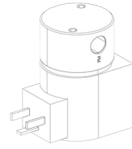
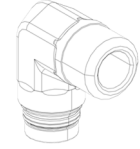
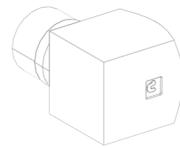
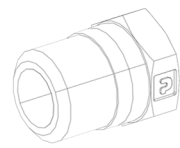

10-03-2024



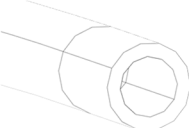
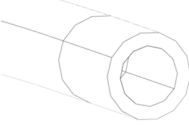
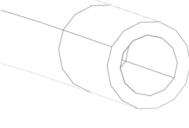
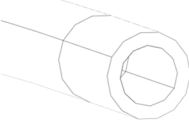


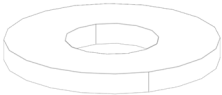
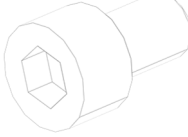
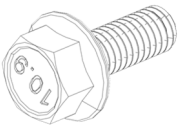
#### MATERIAL

Kit # 492161 (H3-45 only) includes the following parts:

Part No	Description	Qty
0610486	ELECTRONIC MIRROR HARNESS	1
901812	CAMERA LEFT E-MIRROR	1
901814	CAMERA RIGHT E-MIRROR	1
901902	MONITOR 12.3 IN E-MIRROR	2
290954	UPPER LATERAL WINDOW LEFT E-MIRROR	1
290960	UPPER LATERAL WINDOW RIGHT E-MIRROR	1
290864	WEATHER STRIP HORIZONTAL ENTRY DOOR	1
492114	BASE RIGHT HAND	1

492117	BASE LEFT HAND		1
492115	SUPPORT WING RIGHT HAND		1
492118	SUPPORT WING LEFT HAND		1
492128	COVER RIGHT HAND		1
492119	COVER LEFT HAND		1
492113	PLATE ANGULAR ADJUSTMENT		2
492178	SPACER		4
492112	GROMMET		4
405289	CENTER FIXATION		1
406737	LEFT-HAND FIXATION ASSEMBLY		1
403848	SCREEN SUPPORT ASSEMBLY		2

3211681	CENTRAL PILLAR WITH E-MIRROR		1
3211684	CENTRAL PILLAR TRIM WITH E-MIRROR		1
3211680	LEFT PILLAR WITH E-MIRROR		1
3211685	LEFT PILLAR TRIM WITH E-MIRROR		1
406752	BRACKET, DRIVER SUNSHADE		1
406755	BRACKET, DRIVER SUNSHADE		1
562804	VALVE SOLENOID 24 VOLTS		1
641371	MALE ELBOW 90° NON-SWIVEL / #4x1/4NPT-M BR		1
501332	STREET ELBOW 90° / 1/4NPT-Mx1/4NPT-F BR		1
501312	BUSHING REDUCER / 1/4NTP-Mx1/8NPT-F BR		1
642127	MALE ELBOW 90° DUAL PORT #4X#4X1/8NPT-M		1



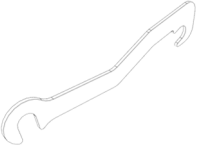
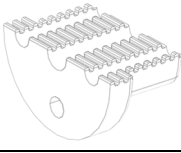



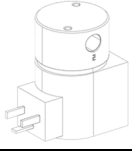
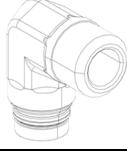
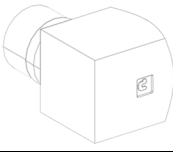
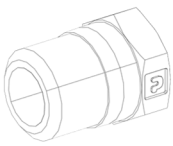
641028	FEMALE CONNECTOR / #4x1/4NPT-F BR		2
640058	MALE BRANCH "Y" / 4MMx4MMx1/4NPT-M		2
140051	TUBE PNEUMATIC BLACK 1/4 OD X 325MM		1
140495	TUBE PNEUMATIC BLACK 4MM OD X 400MM		4
140496	TUBE PNEUMATIC BLACK 1/4 OD X 5000MM		1
140497	TUBE PNEUMATIC BLACK 1/4 OD X 6900MM		1
502751	SCREW MACHINE HEX Z050 10-32X3/8		2
500470	WASHER LOCK SPLIT Z050 .193X. 334X.047		2
500964	WASHER FLAT Z050 .203X. 500X.047		2
5002245	SCREW CAP HEXS AD SS NSS M6-1 X 12 FT		8
5002027	SCREW CAP HEXF AD N500 M6-1X16 G10.9		8

502573	WASHER FLAT SS 6.4 X 12.0 X 1.6		16
502006	PIN DOWEL SS 6 X 10		2
5001912	SCREW CAP HEX SS NSS M8X30		2
5001161	WASHER LOCK SPLIT SS 8.1X14.8X2		2
5002236	SCREW CAP BUT HEXS SS NSS M6-1 X 16		6
5000353	SCREW CAP BUT HEXS N500 M6-1X12		8
502927	SCREW CAP HEX N500 M8-1.25X50 G8.8 FT		2
5001983	NUT HEX NYRT SS NSS M8X1.25		2
502622	SCREW CAP HEX SS NSS M6X20 FT		8
5001432	WASHER LOCK INT SS .256X.478X.028(M6,1/4)		8
5002083	SCREW DR SEMS FN OV PH BK #8X1		4

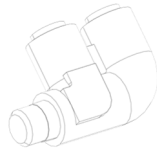


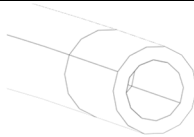
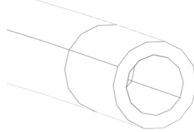
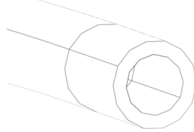
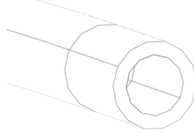

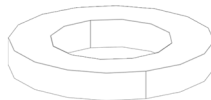
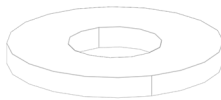
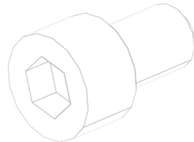
5002100	SCREW CAP HEXF AD N500 M6-1X20 G10.9		2
504107	RVT POP DOME AL OE 1/8 (0.250_0.312)		2
500437	WASHER FLAT Z050 .125X. 375X. 04		2
504262	BUNDLING TAPE CLIP WITH FIR TREE		14
504637	CABLE TIE, NYLON BLK (STD)		35
509815	FIR TREE MOUNTING (FT7 TYPE)		16
403231	TAPE AD1 VELCRO 1"X20MM		7
406880	TAPE AD1 VELCRO 1"X50MM		1
IS-24900	INSTRUCTION SHEET		1
FI-24900	FEUILLE D'INSTRUCTION		1

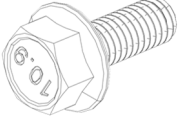

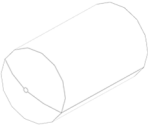
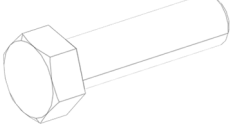

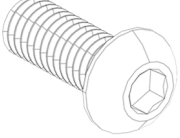
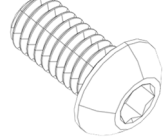

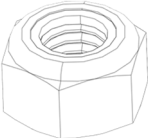
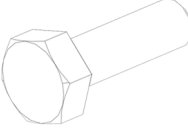

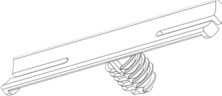
Kit # 492160 (VIP-45 only) includes the following parts:


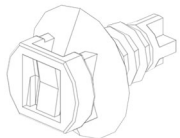
Part No	Description	Qty
0610486	ELECTRONIC MIRROR HARNESS	1
901812	CAMERA LEFT E-MIRROR	1
901814	CAMERA RIGHT E-MIRROR	1
901902	MONITOR 12.3 IN E-MIRROR	2
290969	UPPER LATERAL WINDOW LEFT E-MIRROR	1
290970	UPPER LATERAL WINDOW RIGHT E-MIRROR	1
492114	BASE RIGHT HAND	1
492117	BASE LEFT HAND	1
492115	SUPPORT WING RIGHT HAND	1
492118	SUPPORT WING LEFT HAND	1
492128	COVER RIGHT HAND	1

492119	COVER LEFT HAND		1
492113	PLATE ANGULAR ADJUSTMENT		2
492178	SPACER		4
492112	GROMMET		4
405289	CENTER FIXATION		1
406737	LEFT-HAND FIXATION ASSEMBLY		1
403848	SCREEN SUPPORT ASSEMBLY		2
562804	VALVE SOLENOID 24 VOLTS		1
641371	MALE ELBOW 90° NON-SWIVEL / #4x1/4NPT-M BR		1
501332	STREET ELBOW 90° / 1/4NPT-Mx1/4NPT-F BR		1
501312	BUSHING REDUCER / 1/4NTP-Mx1/8NPT-F BR		1



642127	MALE ELBOW 90° DUAL PORT #4X#4X 1/8NPT-M		1
641028	FEMALE CONNECTOR / #4x1/4NPT-F BR		2
640058	MALE BRANCH "Y" / 4MMx4MMx1/4NPT-M		2
140051	TUBE PNEUMATIC BLACK 1/4 OD X 325MM		1
140495	TUBE PNEUMATIC BLACK 4MM OD X 400MM		4
140496	TUBE PNEUMATIC BLACK 1/4 OD X 5000MM		1
140497	TUBE PNEUMATIC BLACK 1/4 OD X 6900MM		1
502751	SCREW MACHINE HEX Z050 10-32X3/8		2
500470	WASHER LOCK SPLIT Z050 .193X. 334X.047		2
500964	WASHER FLAT Z050 .203X. 500X.047		2
5002245	SCREW CAP HEXS AD SS NSS M6-1 X 12 FT		8

5002027	SCREW CAP HEXF AD N500 M6-1X16 G10.9		8
502573	WASHER FLAT SS 6.4 X 12.0 X 1.6		16
502006	PIN DOWEL SS 6 X 10		2
5001912	SCREW CAP HEX SS NSS M8X30		2
5001161	WASHER LOCK SPLIT SS 8.1X14.8X2		2
5002236	SCREW CAP BUT HEXS SS NSS M6-1 X 16		6
5000353	SCREW CAP BUT HEXS N500 M6-1X12		8
502927	SCREW CAP HEX N500 M8-1.25X50 G8.8 FT		2
5001983	NUT HEX NYRT SS NSS M8X1.25		2
502622	SCREW CAP HEX SS NSS M6X20 FT		8
5001432	WASHER LOCK INT SS .256X.478X.028(M6,1/4)		8
504262	BUNDLING TAPE CLIP WITH FIR TREE		14

504637	CABLE TIE, NYLON BLK (STD)		35
509815	FIR TREE MOUNTING (FT7 TYPE)		16
IS-24900	INSTRUCTION SHEET		1
FI-24900	FEUILLE D'INSTRUCTION		1

Other parts required:

Part No.	Description	Qty
680098	LOCTITE 567 TEFLON 250 ML	AR
685387	GLUE TEROSON MS-9399, 400 ML	AR
683926	GLASS CLEANER	AR
687958	MIXER QUADRO 10.7MM W/"V" ADAPTOR / "B"	1
682989	SILICONE REMOVER SLOW	AR
687965	PRIMER TEROSON PU 8519 P, 500 ML	AR
684685	GLUE SIMSON ISR 70-03 BLACK, CARTRIDGE	AR
506785	TAPE AD2 PE N/A BK 1/16" X 1/4"	10 FT
506769	TAPE AD2 PE CC BK 1/8" X 1/4"	15 FT

Special Tools needed:

Part No.	Description	Qty
G37707	POSITIONING TOOL RIGHT-HAND	1
G37892	POSITIONING TOOL LEFT-HAND	1

<b>NOTE</b>
Material can be obtained through regular channels.

## SAFETY PRECAUTIONS

- Eye protection should always be worn when working in a shop.
- Rules for Personal Protection Equipment should always be respected. Wear your PPE including but not limited to the following:



# Safety First!



## PROCEDURE



### DANGER

Park vehicle safely, apply parking brake, stop the engine. Prior to working on the vehicle, set the ignition switch to the OFF position and trip the main circuit breakers equipped with a trip button. On Commuter type vehicles, set the battery master switch (master cut-out) to the OFF position.

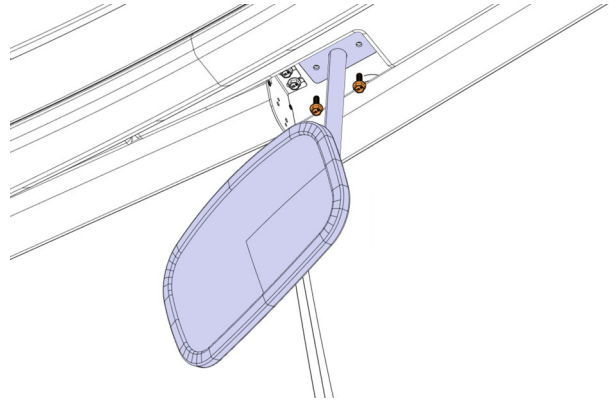
Lock out & Tag out (LOTO) must be performed during set-up, maintenance or repair activities. Refer to your local procedure for detailed information regarding the control of hazardous energy.

## Table of contents

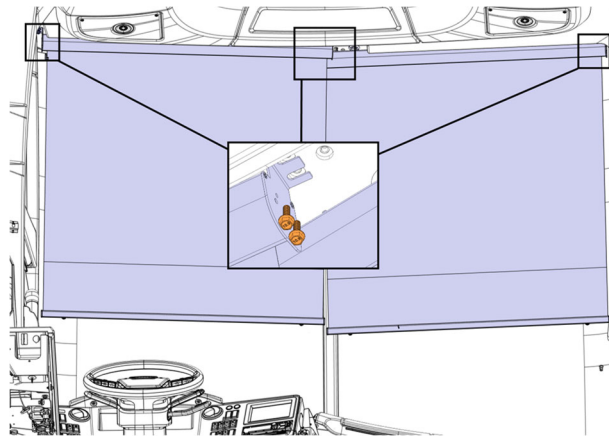
A. REMOVE MIRROR AND SUNSHADES (H3-45 ONLY).....	14
B. REMOVE DASH COVER.....	15
C. REMOVE FRONT CAP INTERIOR FINISHING (H3-45 ONLY).....	16
D. INSTALL BASE SUPPORT ON THE WINDOW.....	22
E. INSTALL NEW UPPER WINDOW.....	26
F. INSTALL WIRING HARNESS.....	29
G. INSTALL SOLENOID VALVE ON PNEUMATIC PANEL .....	32
H. INSTALL PNEUMATIC HOSES.....	34
I. INSTALL MONITOR SUPPORT.....	38
J. INSTALL LEFT CAMERA .....	39
K. INSTALL RIGHT CAMERA.....	42
L. SECURE HARNESS AND PNEUMATIC HOSES.....	45
M. REINSTALL INTERIOR FINISHING (H3-45 ONLY).....	48
N. REINSTALL DASH COVER.....	54
O. REINSTALL THE MIRROR & THE SUNSHADES (H3-45 ONLY) .....	55
P. INSTALL MONITORS .....	57
Q. CAMERA ALIGNMENT.....	61
R. PARAMETER PROGRAMMING WITH VPG SOFTWARE TOOL .....	65

## A. REMOVE MIRROR AND SUNSHADES (H3-45 ONLY)

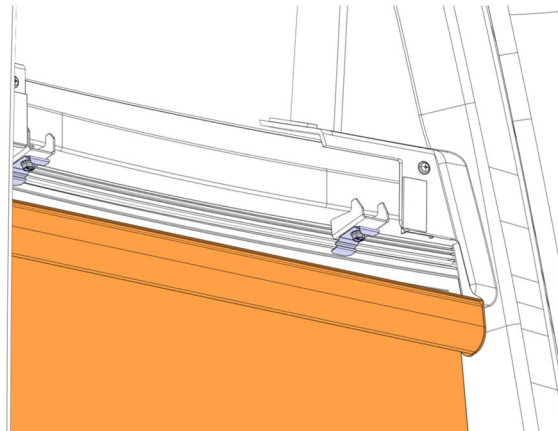
1. Remove the interior mirror.



2. Remove the front sunshades.

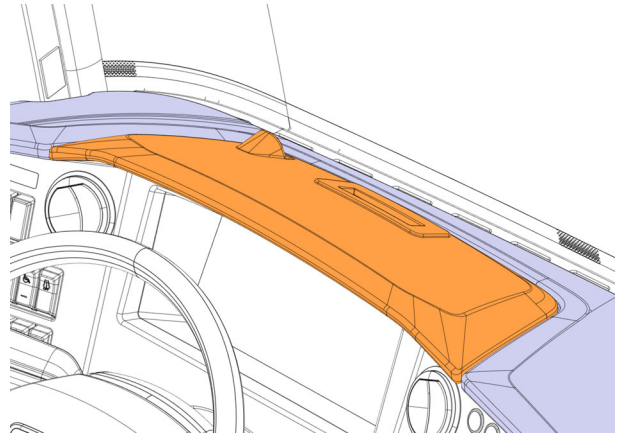


3. Unclip the driver's sunshade.

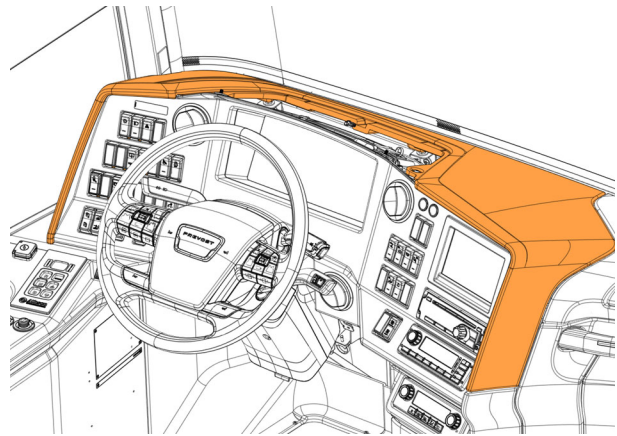


## B. REMOVE DASH COVER

1. Remove the dash access panel. How to remove it sees MI23-03.

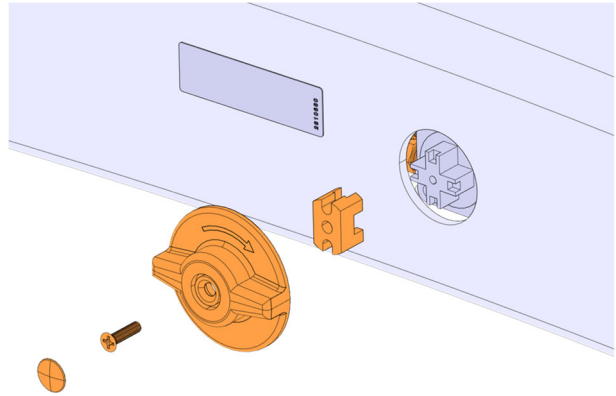


2. Remove central cap. How to remove it sees MI23-03.

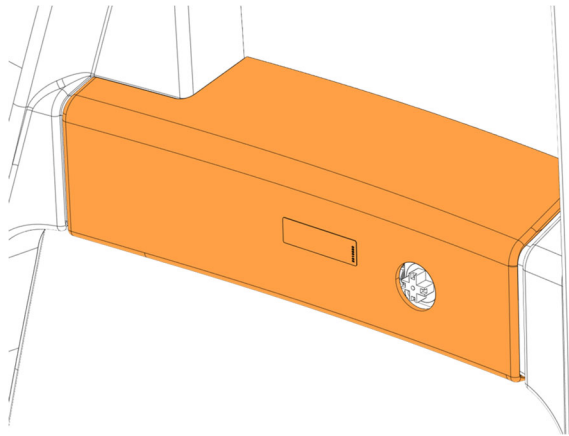


## C. REMOVE FRONT CAP INTERIOR FINISHING (H3-45 ONLY)

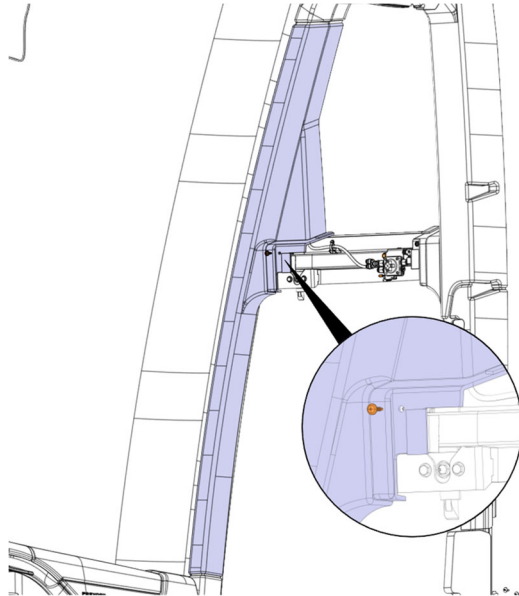
1. Remove the emergency door valve knob.



2. Remove the entrance door upper trim.

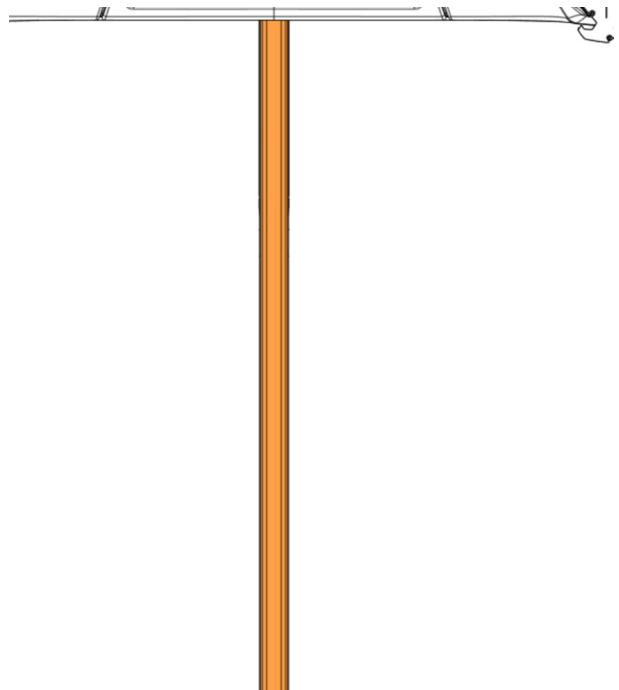


3. Remove one (1) screw to remove the right pillar cover.

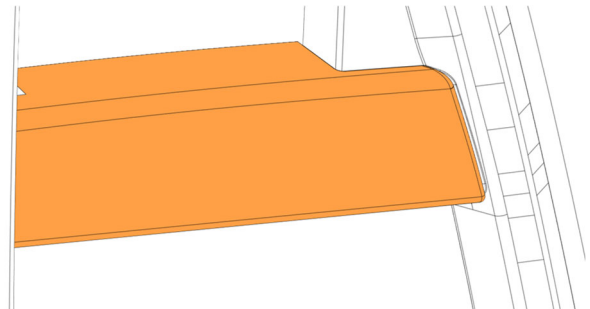




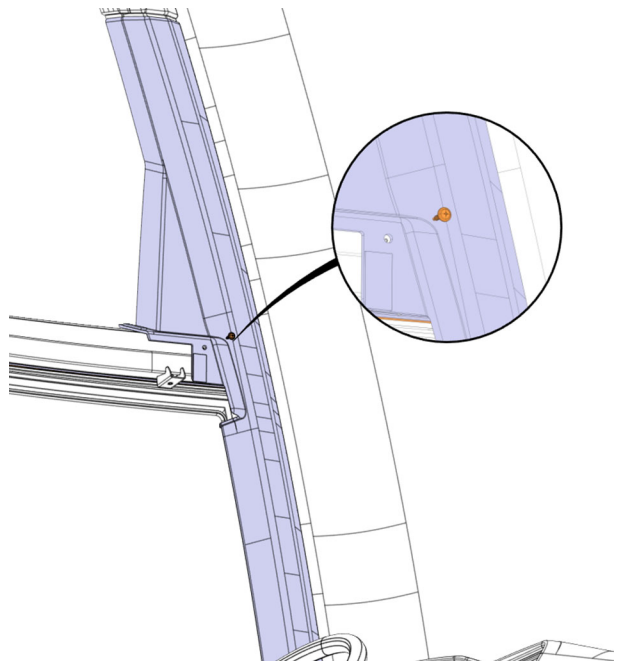
4. Remove the central pillar cover and discard.



5. Remove the driver's window upper trim.

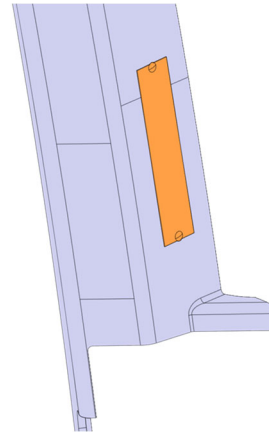


6. Remove one (1) screw to remove the left pillar cover.

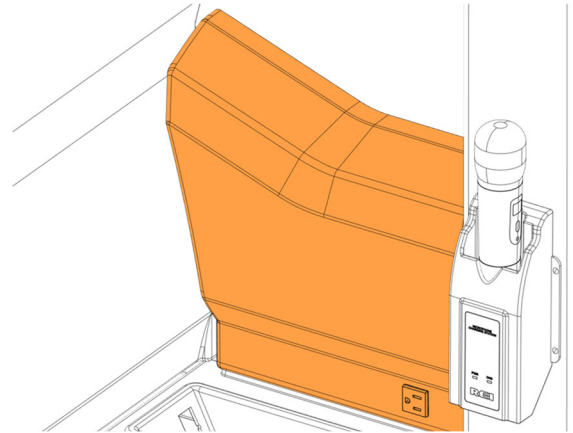


7. Remove the VIN plate from the left pillar cover. Discard the cover and hardware.

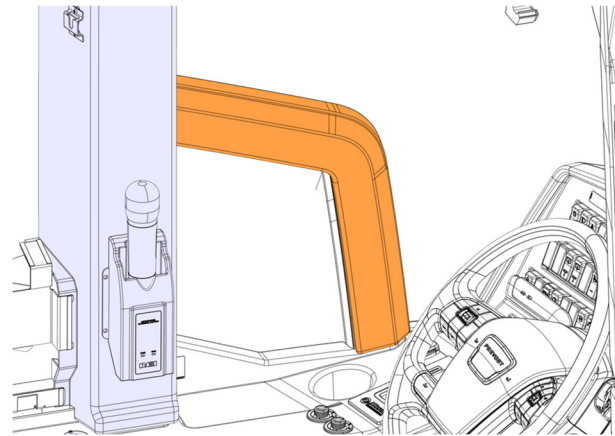
Keep the VIN plate to be reinstalled on the new pillar cover.



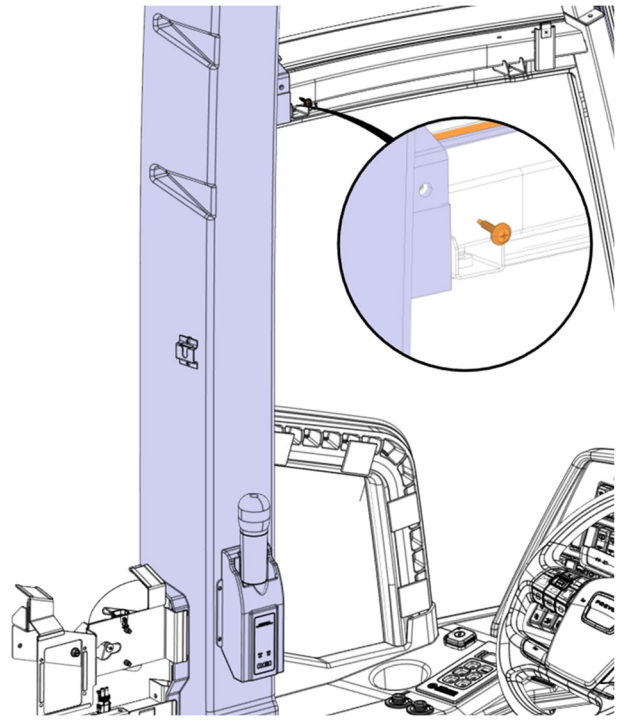
8. Remove the upper left console.



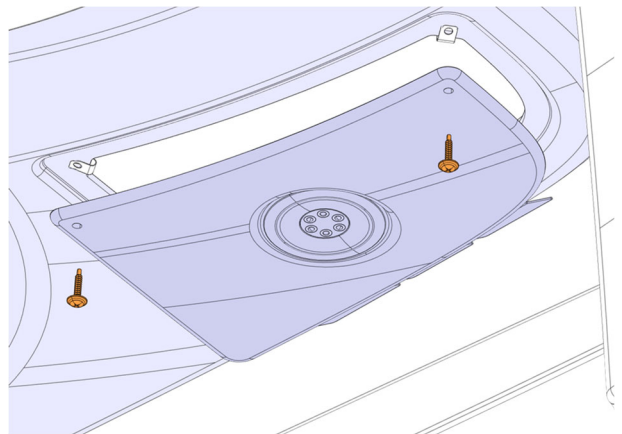
9. Remove the driver window cover.



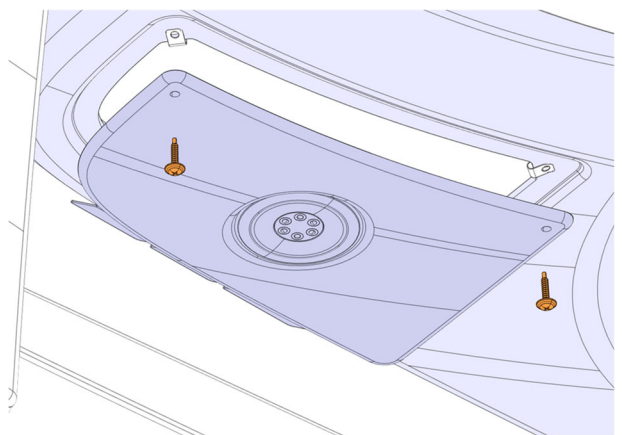
10. Remove one (1) screw to remove the left driver's pillar cover.



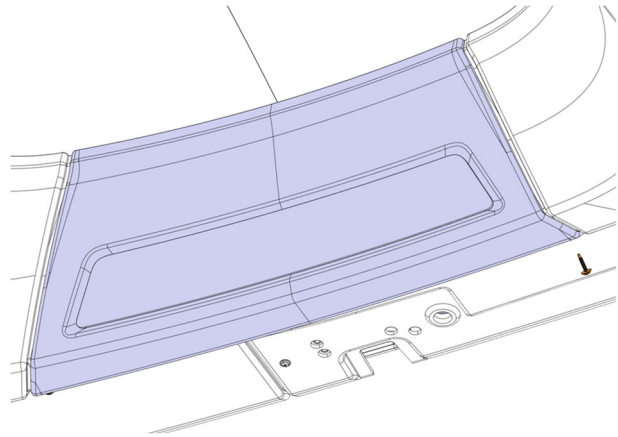
11. Remove two (2) screws to remove the right access panel.



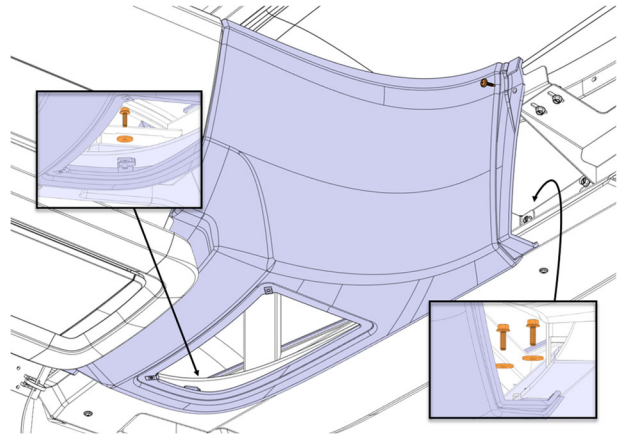
12. Remove two (2) screws to remove the left access panel.



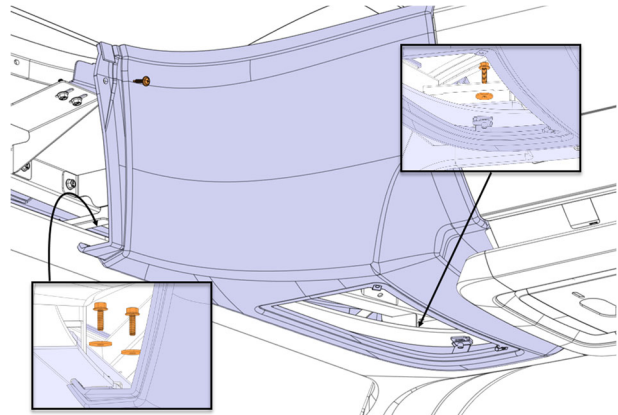
13. Remove two (2) screws to remove the central ceiling transition.



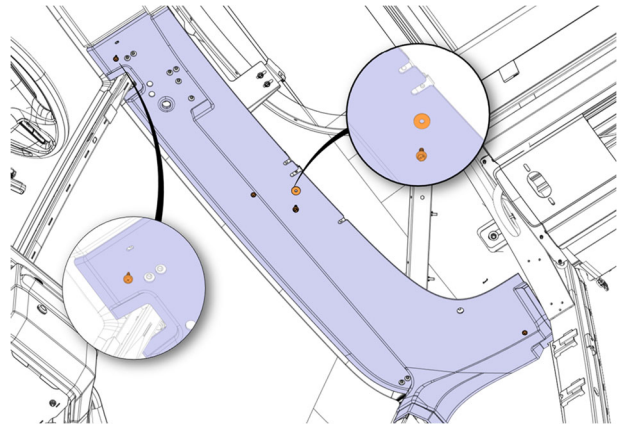
14. Remove three (3) screws and washers.  
15. Remove one (1) screw to remove the left ceiling transition.



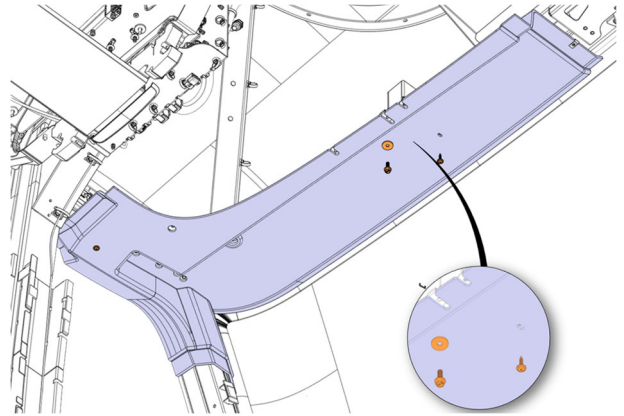
16. Remove three (3) screws and washers.  
17. Remove one (1) screw to remove the right ceiling transition.



18. Remove one (1) screw and washer.
19. Remove three (3) screws to remove the right ceiling.

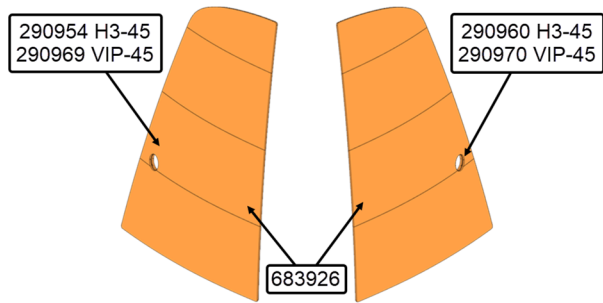


20. Remove one (1) screw and washer.
21. Remove two (2) screws to remove the left ceiling.



## D. INSTALL BASE SUPPORT ON THE WINDOW

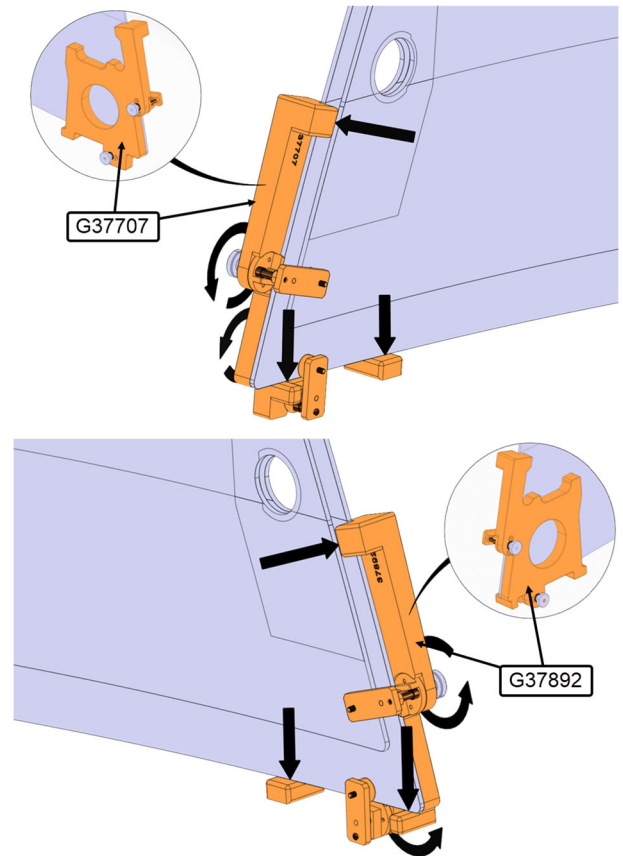
1. Clean upper windows 290954 & 290960 for H3-45 or 290969 & 290970 for VIP-45 with glass cleaner 683926.



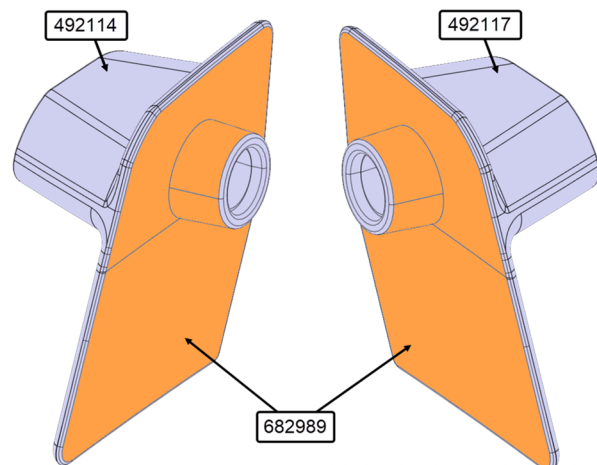
2. Install the positioning tool on the window.

- positioning tools:  
G37707 for right window  
G37892 for left window

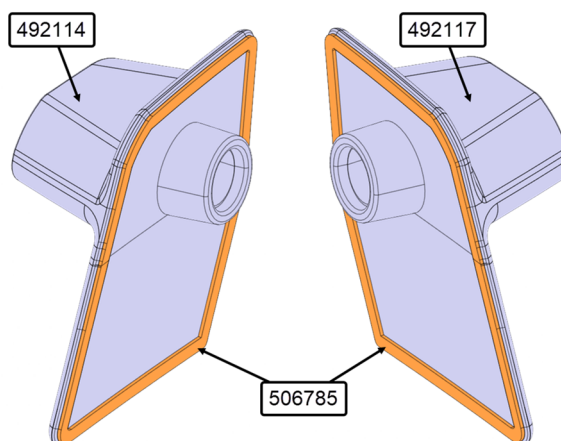
3. Press the template to the side.
4. Tighten the two adjustment points.
5. Validate that you are pressing on three stops:
  - If not, repeat the positioning.
  - If yes, go to the next step.



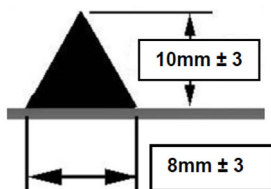
6. Clean the surface of both bases 492117 and 492114 with Anti-silicone cleaner 682989.



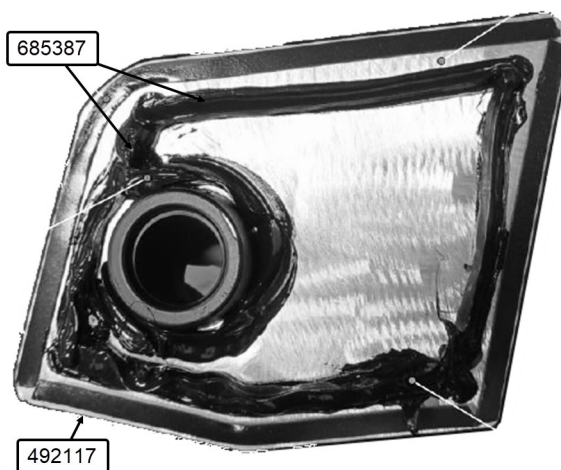
7. Apply double face adhesive 506785, on both bases 492117 and 492114.
8. Peel the tape plastic film before to add the glue at the next step.



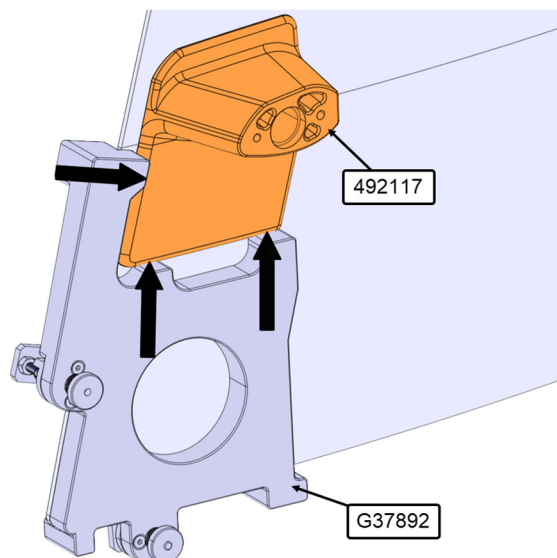
9. Apply glue 685387 with the mixer 687958 continuously around the base and around the center of the hub of base 492117.



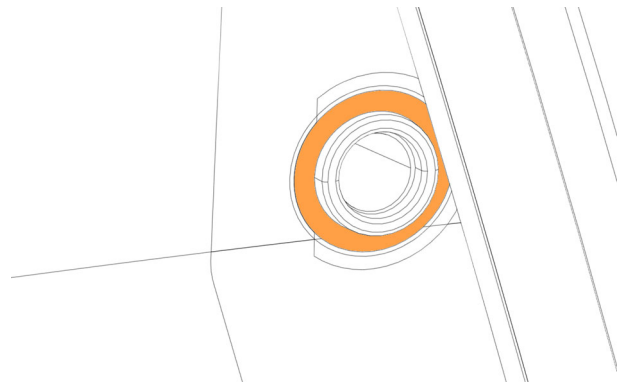
**Note: No more than 15 minutes should elapse between the start of glue applications and installations on the window.**



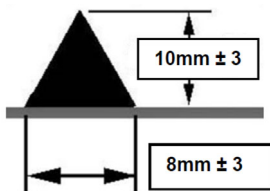
10. Install the base 492117 on the three steps of the window positioning tool G37892.
11. Apply pressure to adhere tape to window.



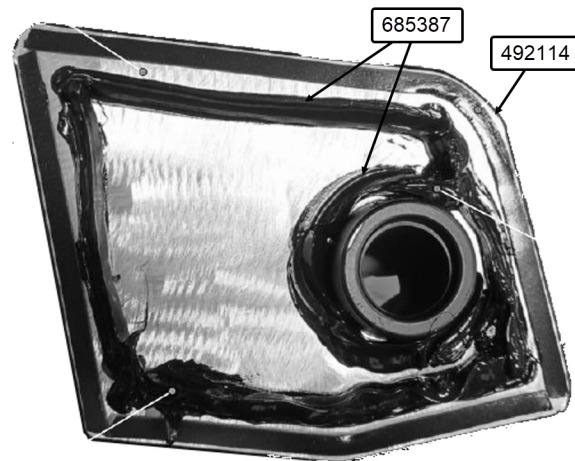
12. Fill the gap between the base hub and the window with glue 684685. Smooth all the joint around with a spatula.



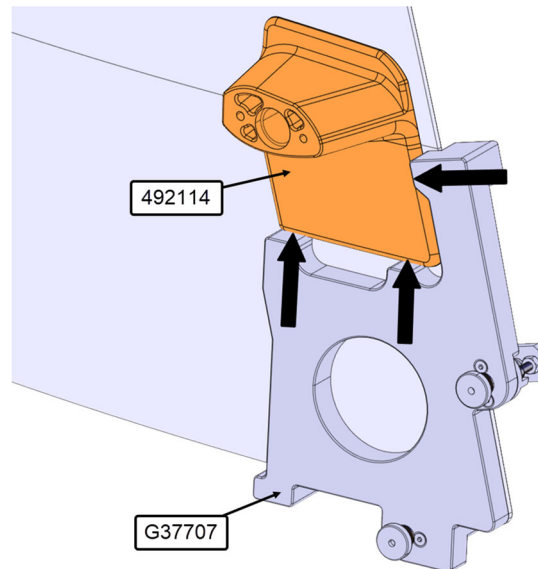
13. Apply glue 685387 with the mixer 687958 continuously around the base and around the center of the hub of base 492114.



**Note: No more than 15 minutes should elapse between the start of glue applications and installations on the window.**

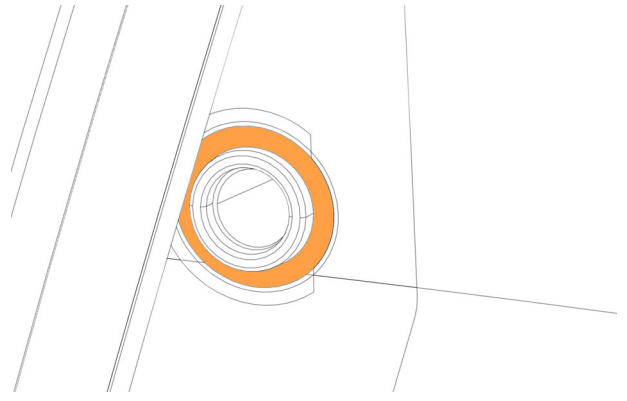


14. Install the base 492114 on the three steps of the window positioning tool G37707.
15. Apply pressure to adhere tape to window.



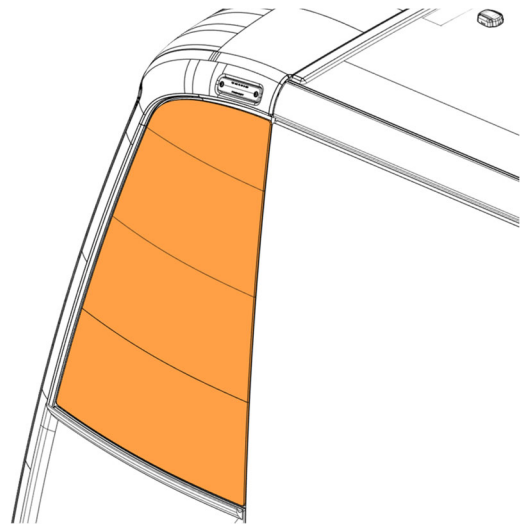


16. Fill the gap between the base hub and the window with glue 684685. Smooth all the joint around using a spatula.

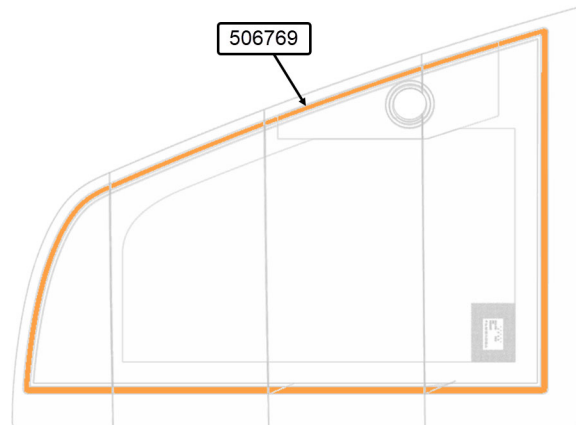


## E. INSTALL NEW UPPER WINDOW

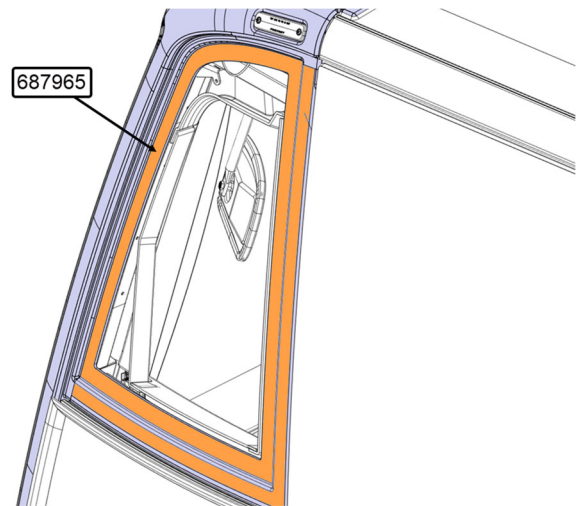
1. Remove the upper window (on both sides).



2. Clean the windows 290954 & 290960 for H3-45 or 290969 & 290970 for VIP-45 with glass cleaner 683926.
3. Apply double face adhesive tape 506769, follow the circumference of the thermos with the tape.

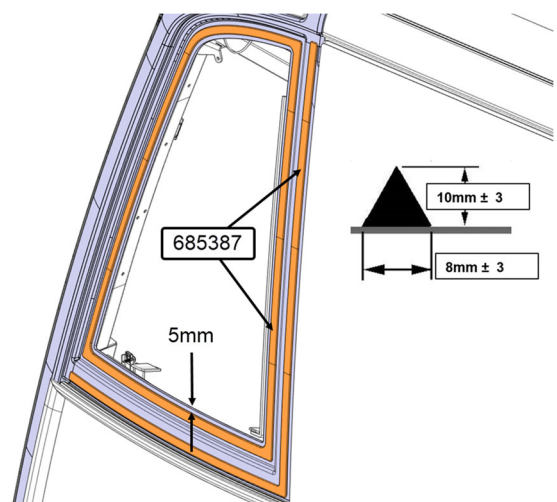


4. Clean the surface of the front cap with anti-silicone cleaner 682989 (both sides).
5. Apply primer 687965 on the front cap windows location (on both sides).



6. Apply a continuous bead of glue 685387 with the mixer 687958 along the contour of the front cap windows location, about 5 mm from the edge (both sides).

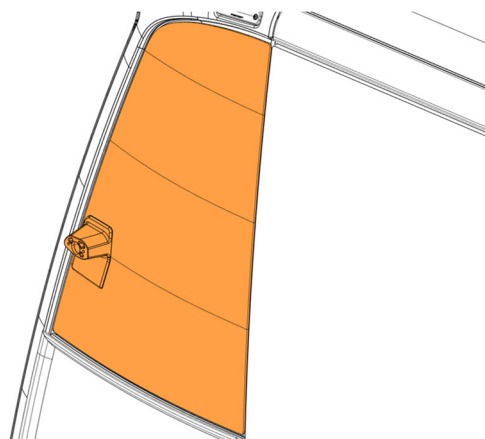
**Note: No more than 15 minutes should elapse between the start of glue applications and window installation.**



7. Peel the tape plastic film before to glue the window.

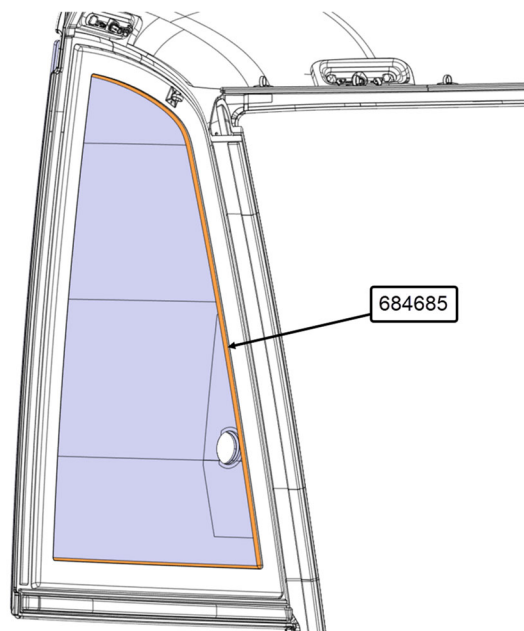
8. Install the windows 290954 and 290960 assembly with the base.

**Note: No more than 15 minutes should elapse between the start of glue applications and window installation.**



9. Clean the surface inside the front cap with Anti-silicone cleaner 682989 (both sides).

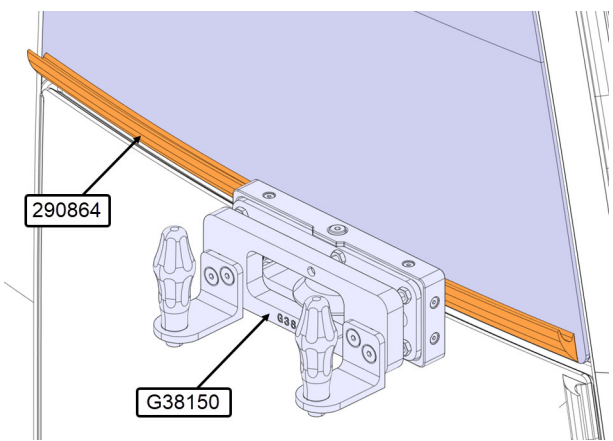
10. Apply the glue 684685 on the front cap windows, make a continuous seal all around the thermos to seal the assembly with the front cap (both sides).



**Only with H3-45**

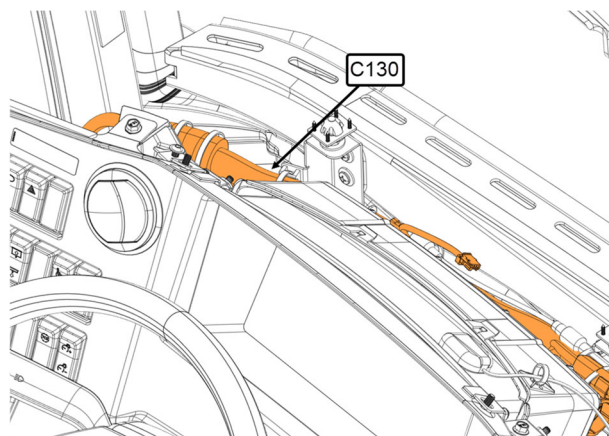
11. Clean the window with glass cleaner 683926.
12. Install the gutter 290864 on the window over the entrance door.

Use the tool G38150 and go back and forth on the gutter **twice**. Make sure the tool is pressed against the stops to distribute the strength correctly on the tape.

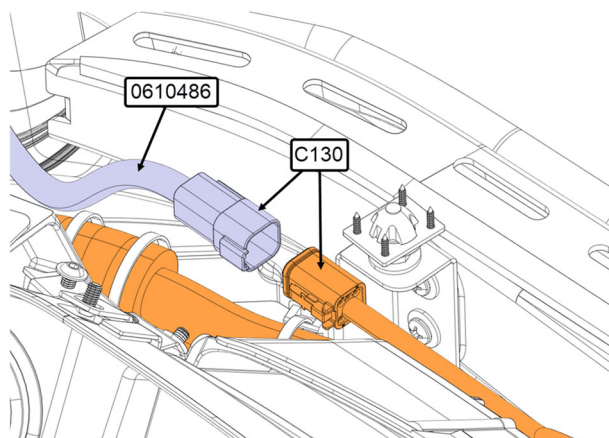


## F. INSTALL WIRING HARNESS

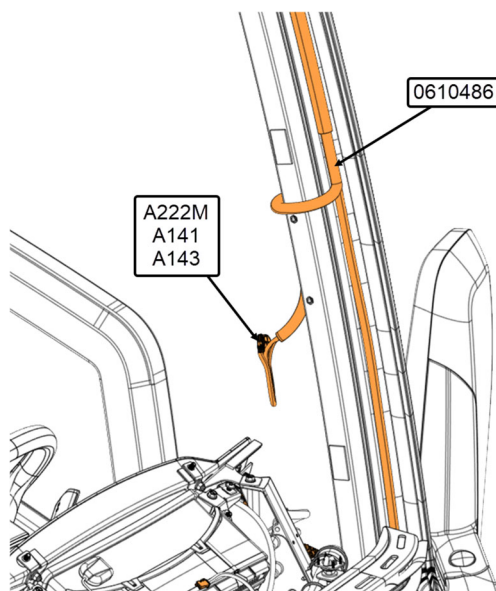
1. Locate the connector **C130** on the main dashboard harness.



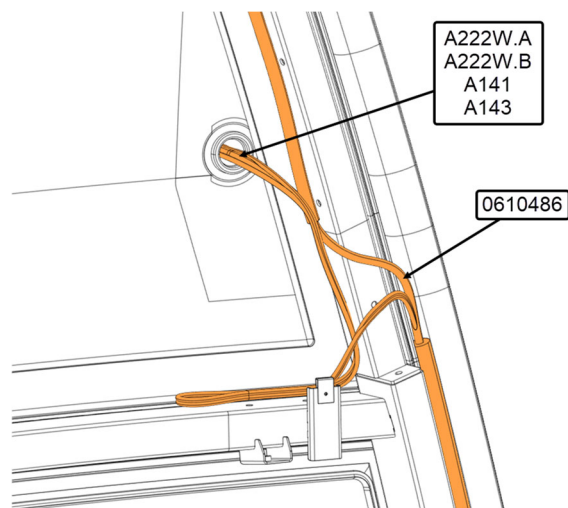
2. Plug the connector **C130** of harness 0610486 to the connector **C130** of the main dashboard harness.



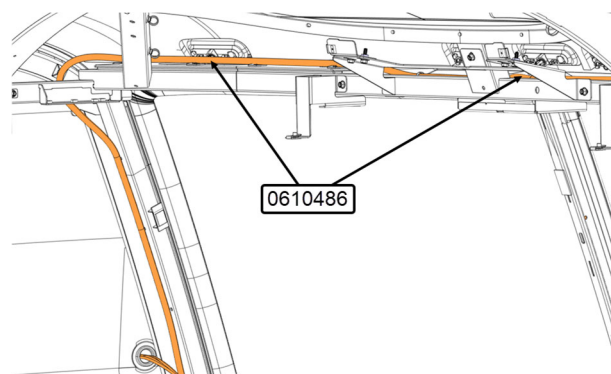
3. Run the harness along the front left pillar.
4. Run harness section with the connectors **A222M**, **A141** (without the seal), **A143** (without the seal) on the front of the pillar for the left monitor.



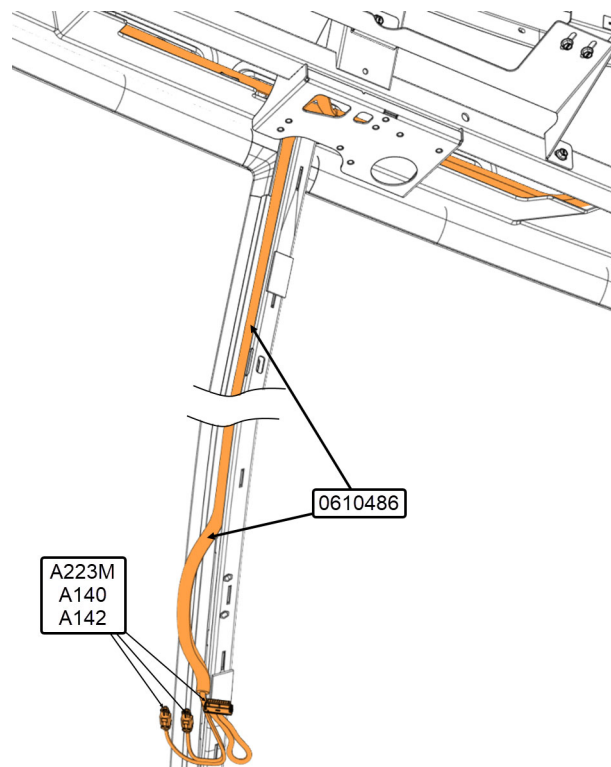
5. Run the harness above the driver's window.
6. Run harness section with the connectors **A222W.A**, **A222W.B**, **A141** (with the seal), **A143** (with the seal) through the hole in the window to the left camera.



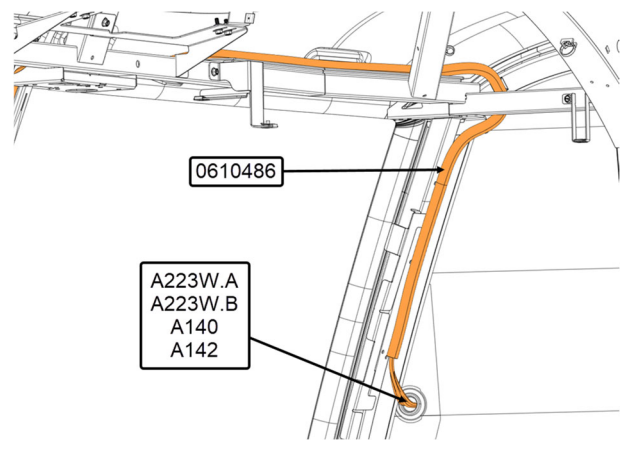
7. Run the harness above the top front cap structure.



8. Run the harness section with the connectors **A223M**, **A140** (without the seal), **A142** (without the seal) in the center of the pillar for the right monitor.

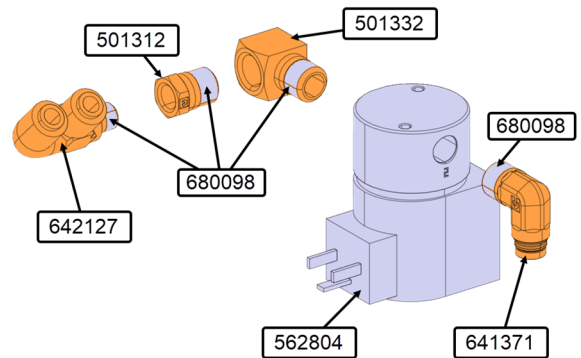


9. Run the harness above the top front cap structure.
10. Run the harness section with the connectors **A223W.A**, **A223W.B**, **A140** (with the seal), **A142** (with the seal) through the hole in the window to the right camera.

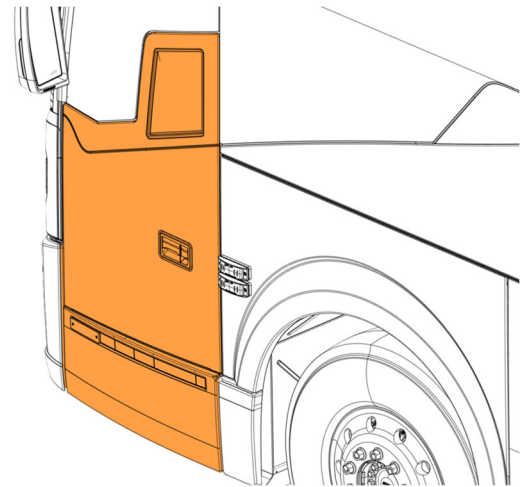


## G. INSTALL SOLENOID VALVE ON PNEUMATIC PANEL

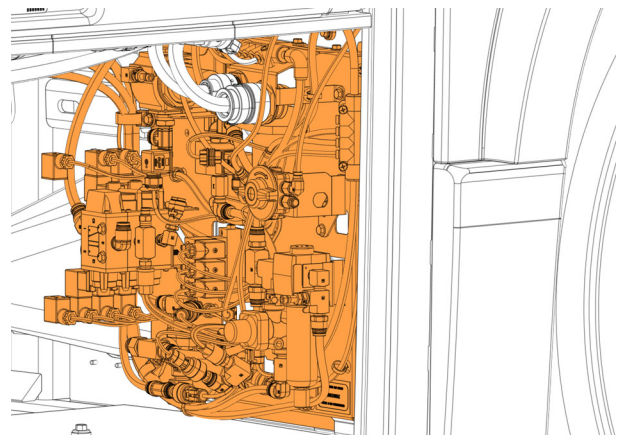
1. Assemble fittings on the solenoid valve.
2. Apply thread sealant 680098 on fittings 641371, 501332, 501312 and 642127.
3. Connect the fitting 641371 to the solenoid valve 562804.
4. Connect the fitting 501332 to solenoid valve 562804.
5. Connect the fitting 501312 to the fitting 501332.
6. Connect the fitting 642127 to the fitting 501312.



7. Open the front service door.

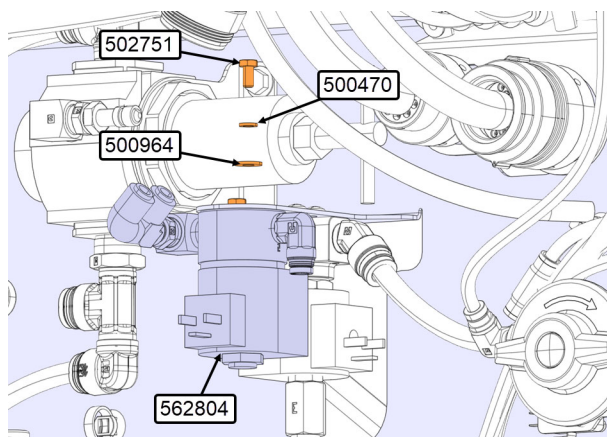


8. Locate the front pneumatic panel.

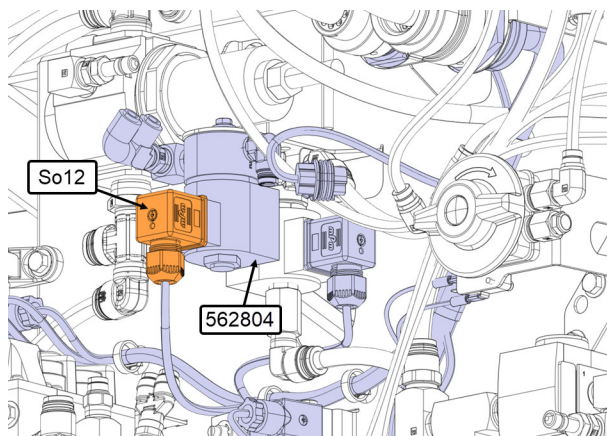




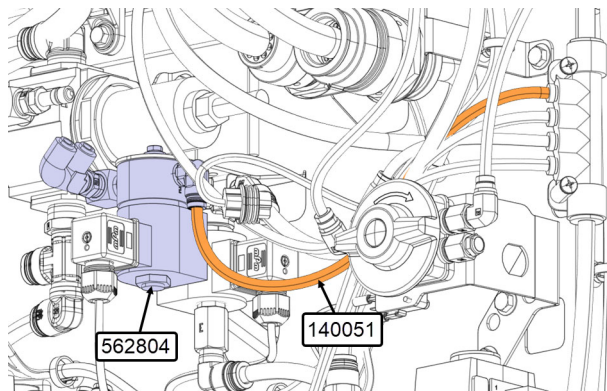
9. Secure the solenoid valve assembly 562804 with the screws 502751 (2x), the lock washers 500470 (2x) and the flat washers 500964 (2x).



10. Plug the connector So12 from the pneumatic panel harness to the solenoid valve 562804.



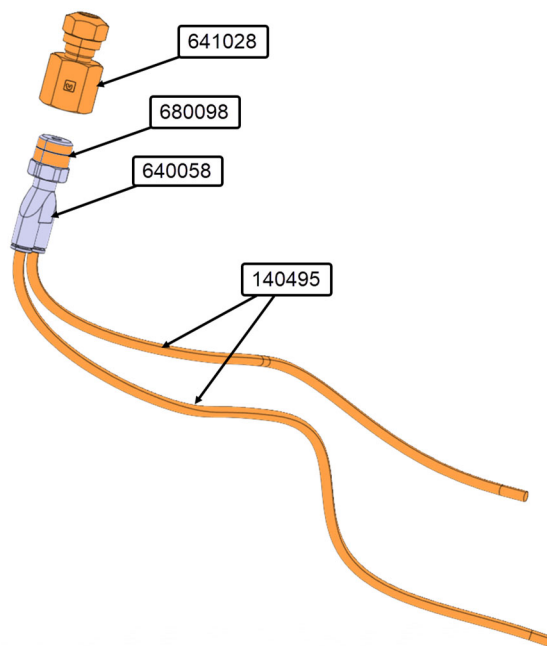
11. Plug the hose 140051 (325mm) to the solenoid valve 562804 and plug to the manifold pneumatic air supply.



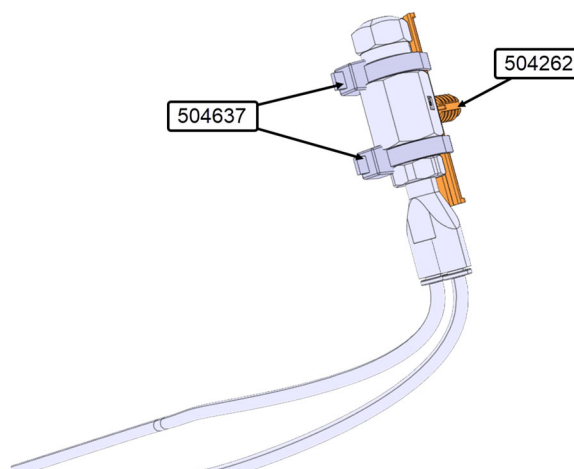
## H. INSTALL PNEUMATIC HOSES

Pneumatic assemblies for the cameras (2x)

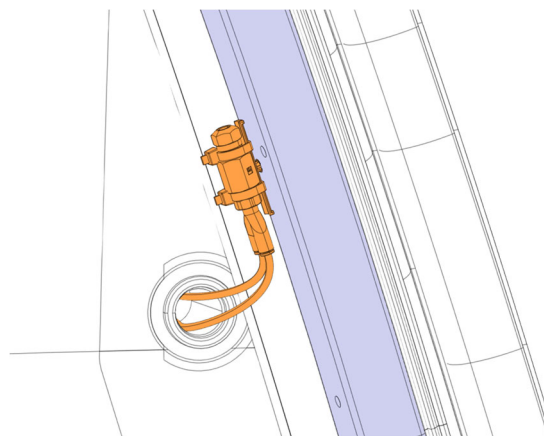
12. Apply thread sealant 680098 on the fitting 640058.
13. Connect the fitting 640057 with the fitting 641028.
14. Connect the hose 140495 (400mm) (2x) to the fitting 640058.



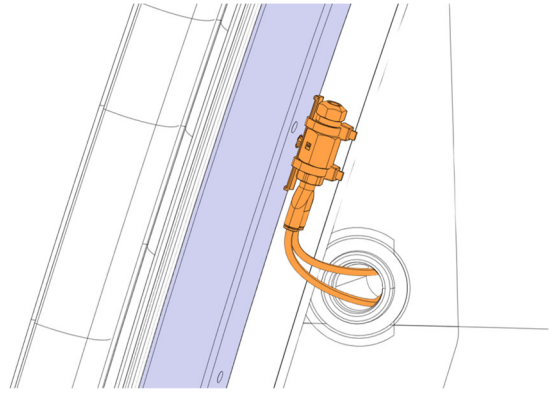
15. Secure the two assemblies on a bundling tape clip 504262 (2x) with the cable ties 504637 (4x).



16. Install one assembly for the left camera.

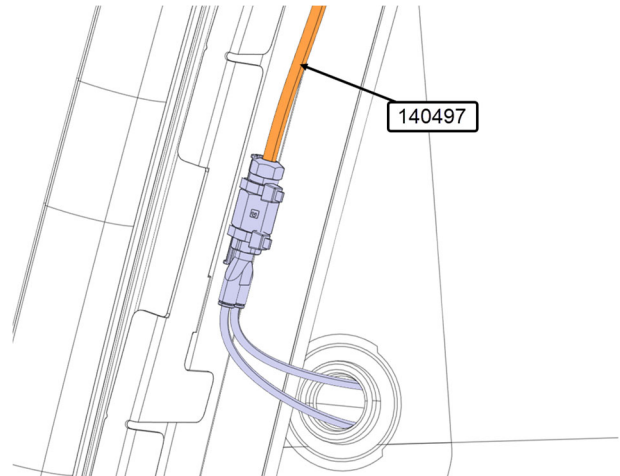


17. Install one assembly for the right camera.

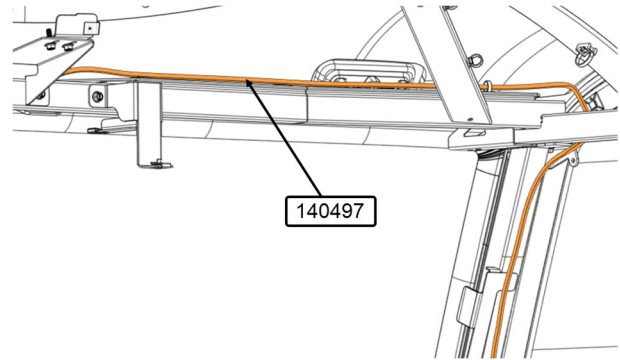


18. Connect the hose 140497 (6900mm).

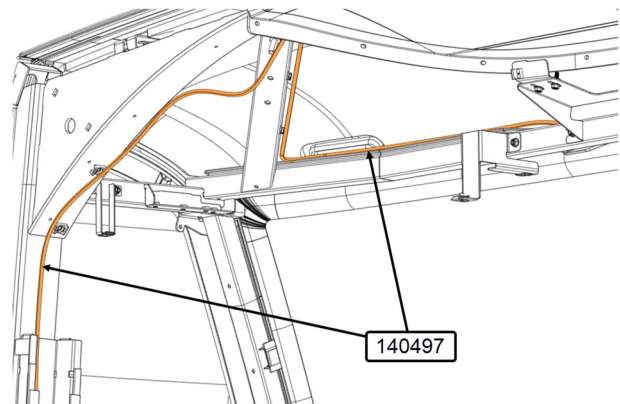
19. Run the hose from the right camera.



20. Run the hose 140497 above the top front cap structure.

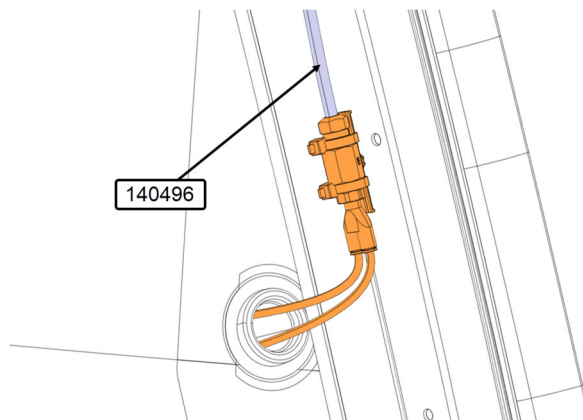


21. Run the hose 140497 above the top front cap structure to the left driver pillar.

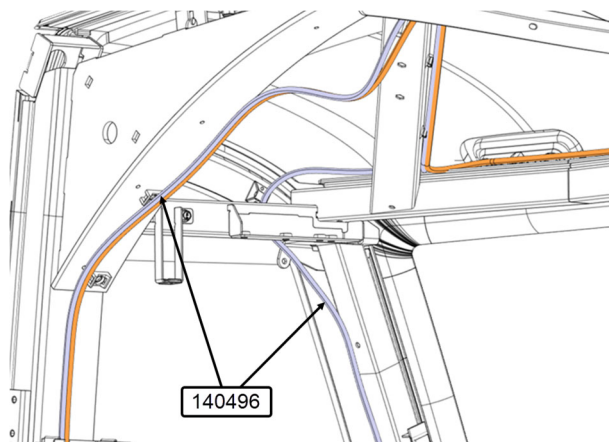


22. Connect the hose 140496 (5000mm).

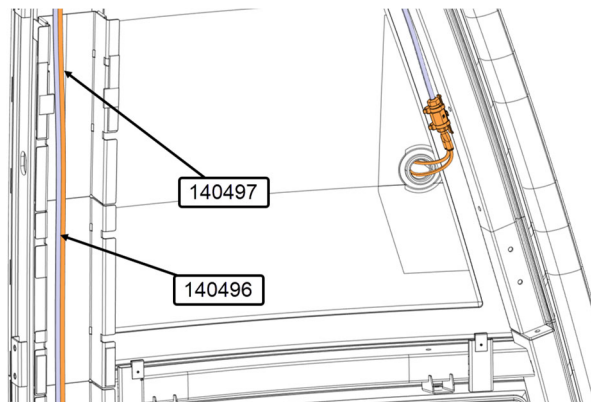
23. Run the hose from the left camera.



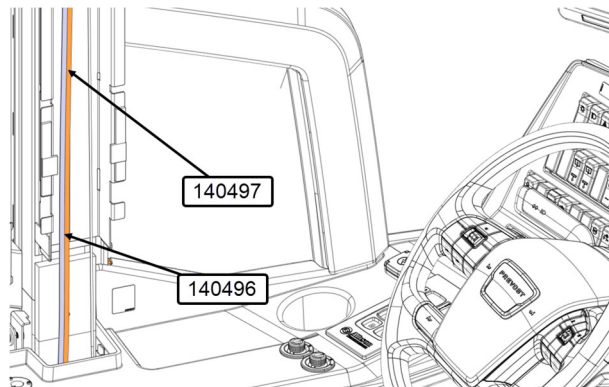
24. Run the hose 140496 above the top front cap structure to the left driver pillar.



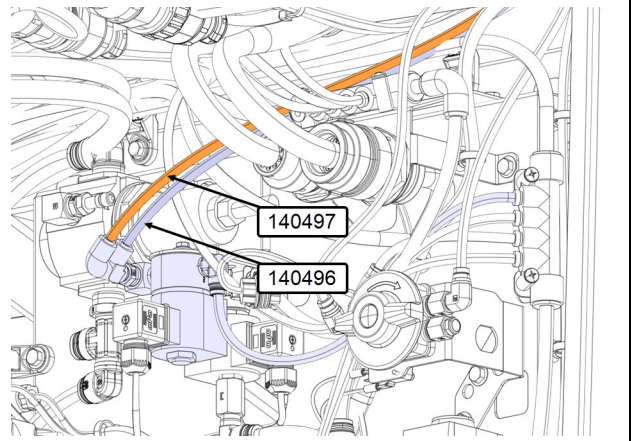
25. Run the hoses 140496 and 140497 on the left driver pillar.



26. Run the hoses 140496 and 140497 on the left driver pillar to the front service compartment.

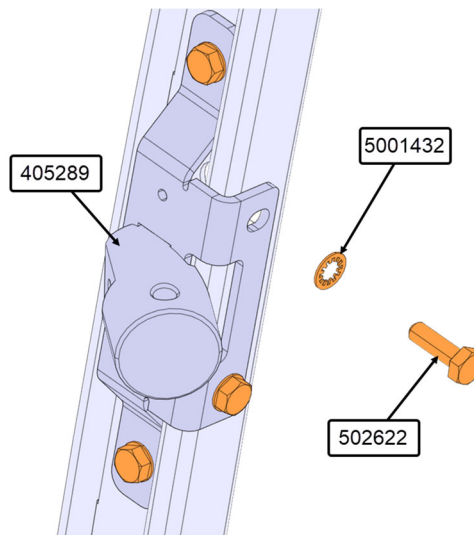


27. Run the hoses 140496 and 140497 on the left driver pillar to the pneumatic panel.
28. Connect the hoses 140496 and 140497 to solenoid valve fitting.

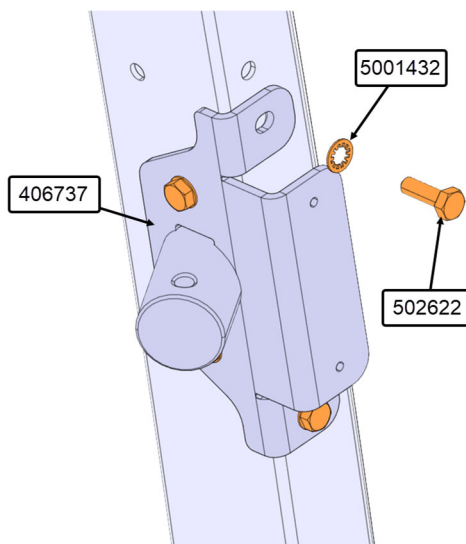


## I. INSTALL MONITOR SUPPORT

1. Install the central fixation 405289 with the screws 502622 (4x) and the lock washers 5001432 (4x).

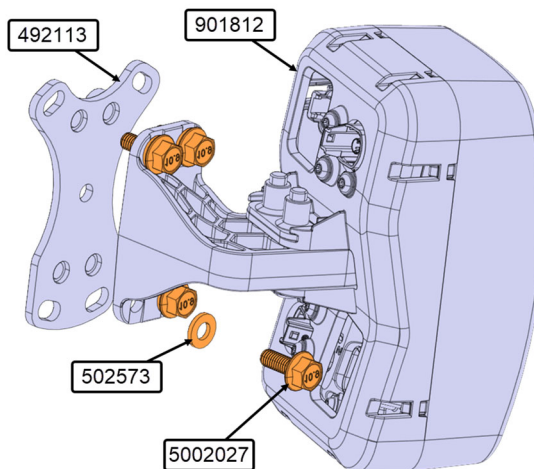


2. Install the left fixation 406737 with the screws 502622 (4x) and the lock washers 5001432 (4x).



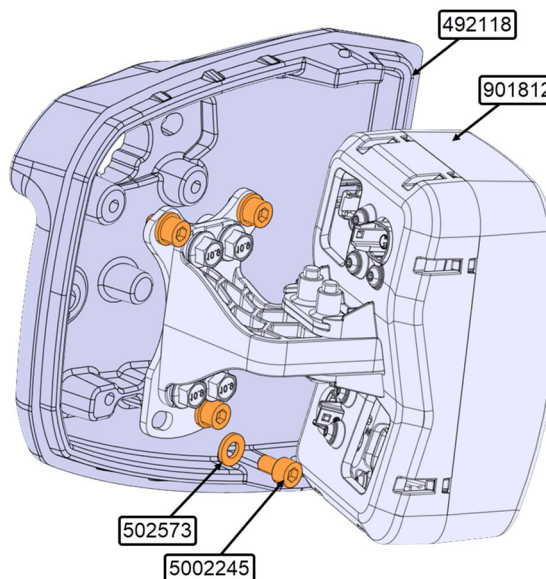
## J. INSTALL LEFT CAMERA

1. Install the camera 901812 to the plate 492113 with the screws 5002027 (4x) and the flat washers 502573 (4x).
2. Torque to **80 lb-in.**

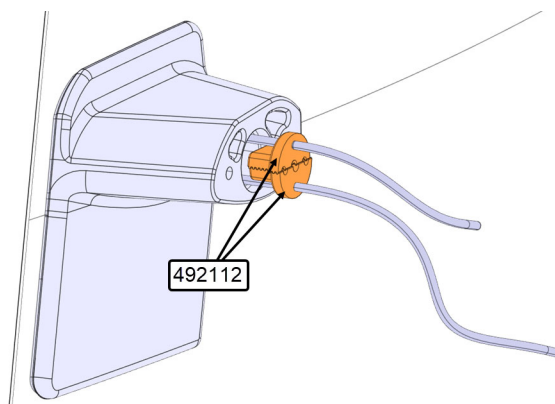


3. Install the camera assembly 901812 on the support 492118 with the screws 5002245 (4x) and the flat washers 502573 (4x).

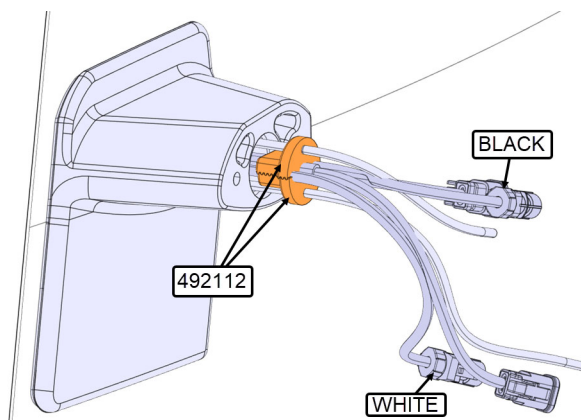
**Note: Tighten so that the camera cannot move.**



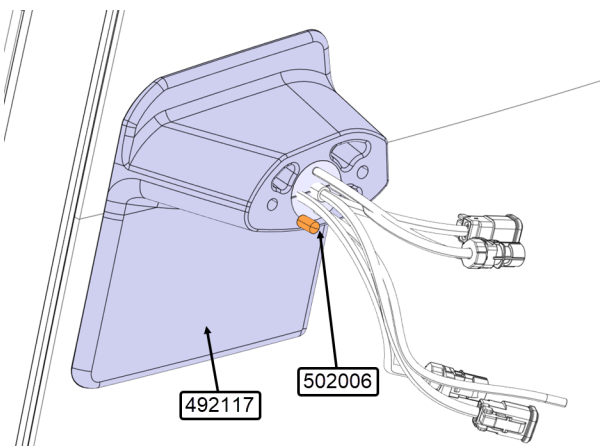
4. Pass the air hoses through grommets 492112 (2x).



5. Pass the harness 0610486 through grommets 492112 (2x).

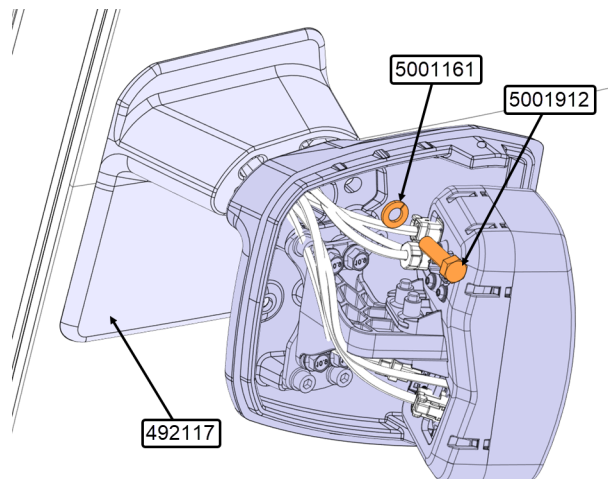


6. Install the pin 502006 on the base 492117.



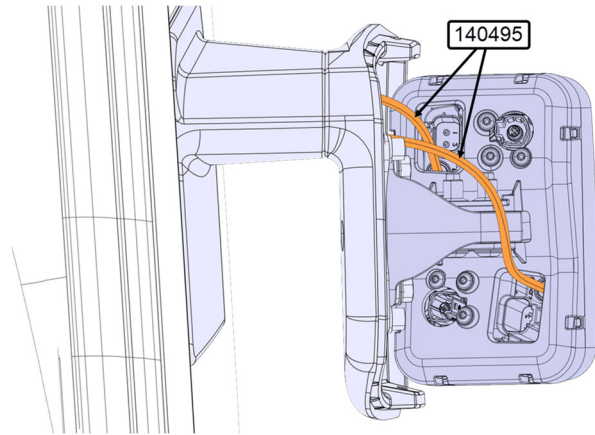
7. Install the camera assembly to the base 492117 with the screw 5001912 (1x) and the lock washer 5001161 (1x).

8. Torque to **14 lb-ft**.

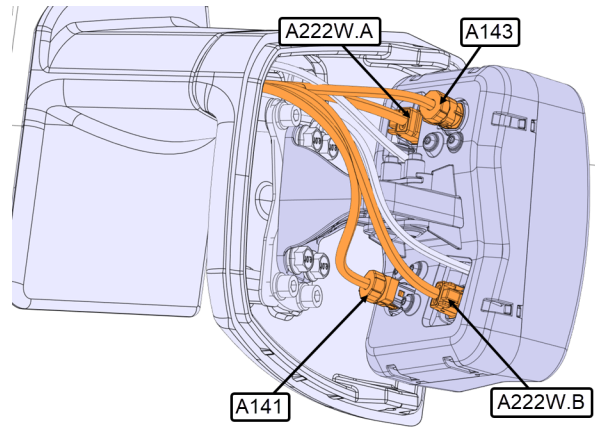




9. Connect the air hoses 140495 (2x) to the camera.

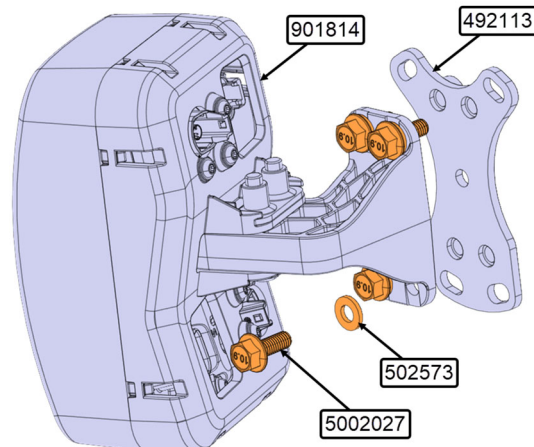


10. Plug the harness 0610486 to the camera 901812.



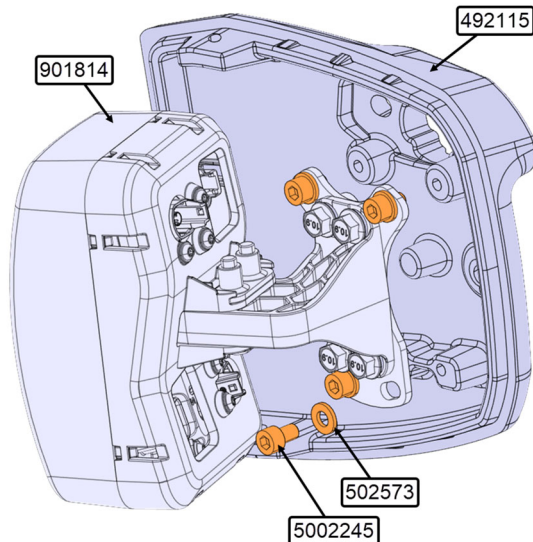
## K. INSTALL RIGHT CAMERA

1. Install the camera 901814 to the plate 492113 with the screws 5002027 (4x) and the flat washers 502573 (4x).
2. Torque to **80 lb-in.**

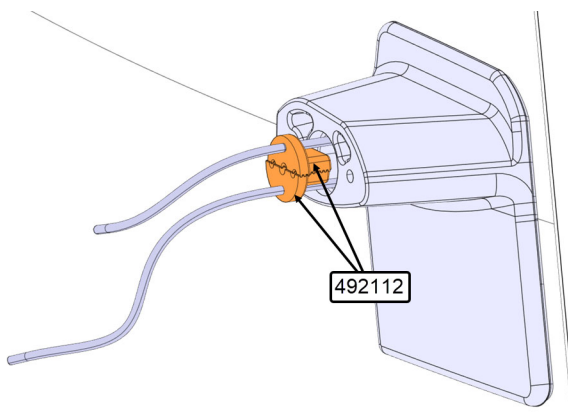


3. Install the camera assembly 901814 on the support 492115 with the screws 5002245 (4x) and the flat washers 502573 (4x).

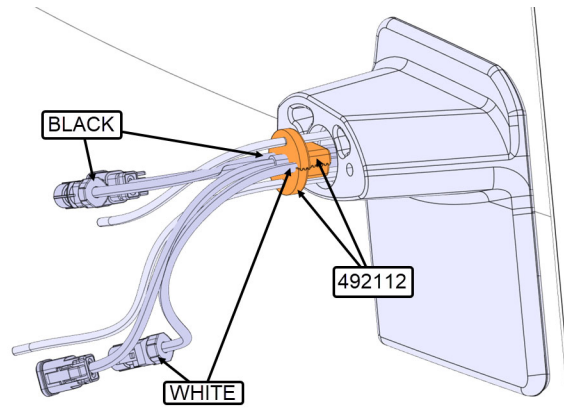
**Note: Tighten so that the camera cannot move.**



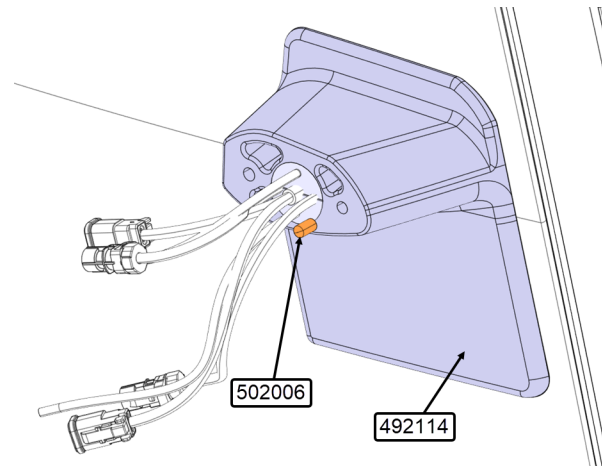
4. Pass the air hoses through grommets 492112 (2x).



5. Pass the harness 0610486 through grommets 492112 (2x).

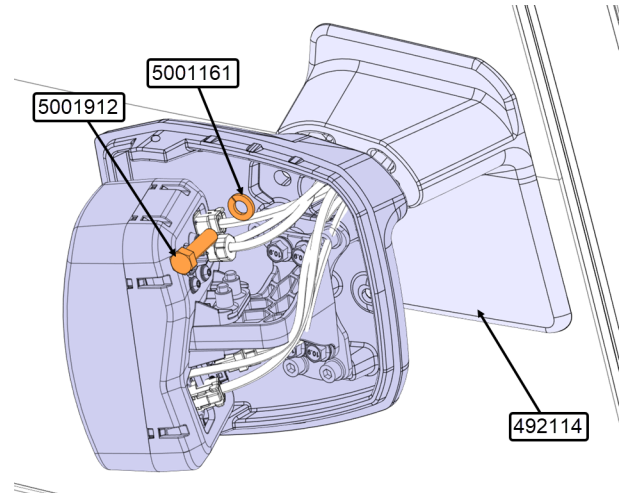


6. Install the pin 502006 on the base 492114.

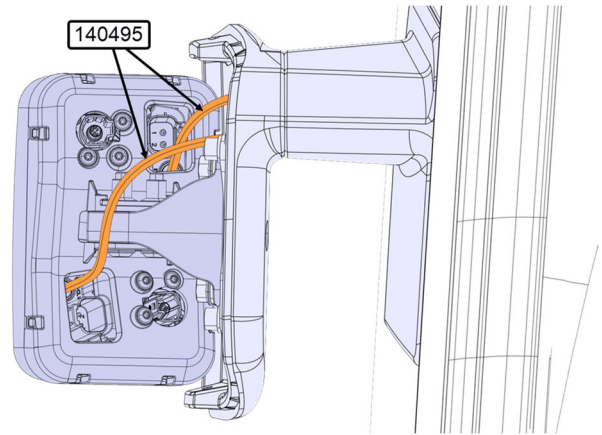


7. Install the camera assembly to base 492114 with the screw 5001912 (1x) and the lock washer 5001161 (1x).

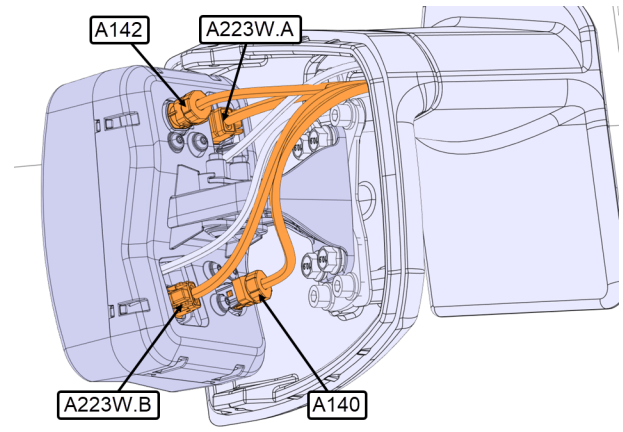
8. Torque to **14 lb-ft**.



9. Connect the air hoses 140495 (2x) to the camera.

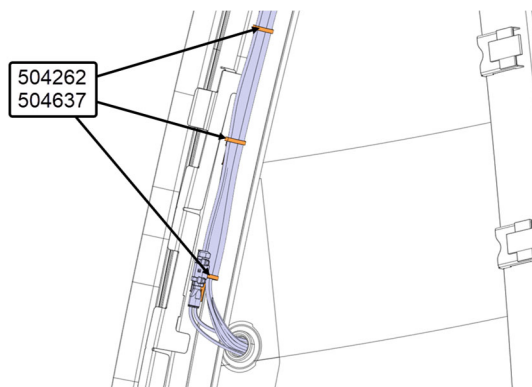


10. Plug the harness 0610486 to the camera 901814.

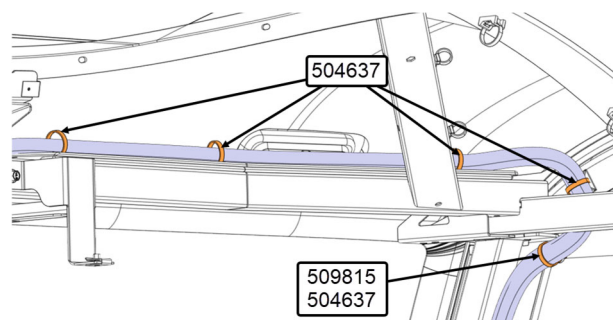


## L. SECURE HARNESS AND PNEUMATIC HOSES

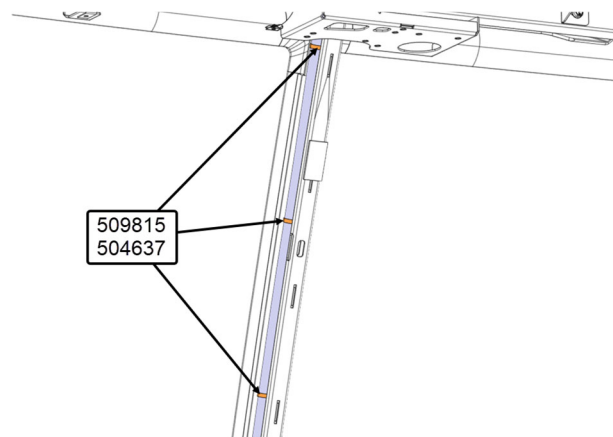
1. Secure the right camera hose and the harness with the bundling tape clips 504262 (3x) and the cable ties 504637 (3x).



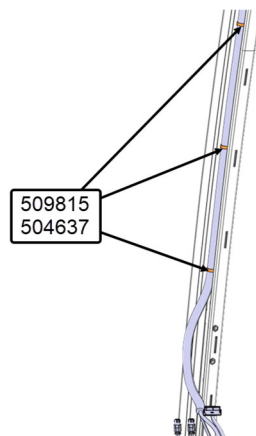
2. Secure the right camera hose and the harness with fir trees mounting 509815 (1x) and the cable ties 504637 (5x).



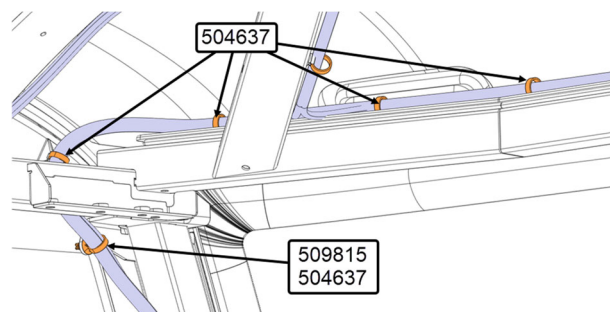
3. Secure the harness on the central pillar upper section with fir trees mounting 509815 (3x) and the cable ties 504637 (3x).



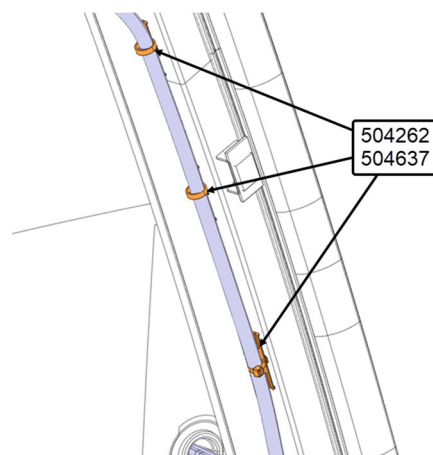
4. Secure the harness on the central pillar lower section with fir trees mounting 509815 (3x) and the cable ties 504637 (3x).



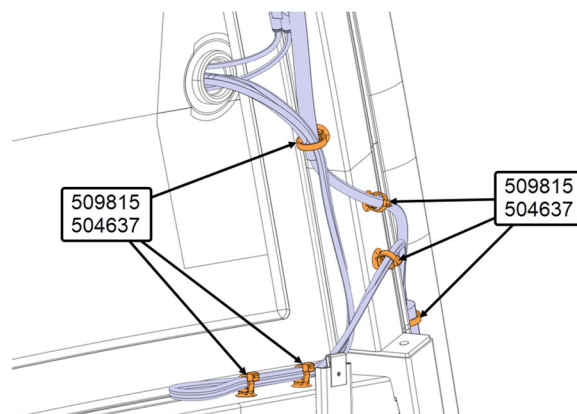
5. Secure the left camera hose and the harness with fir trees mounting 509815 (1x) and the cable ties 504637 (5x).



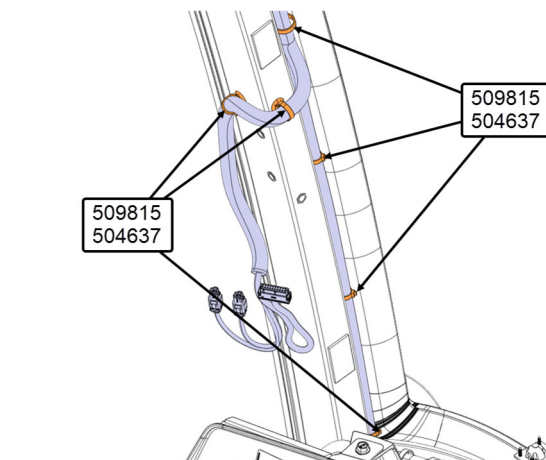
6. Secure the left camera hose and the harness with the bundling tape clips 504262 (3x) and the cable ties 504637 (3x).



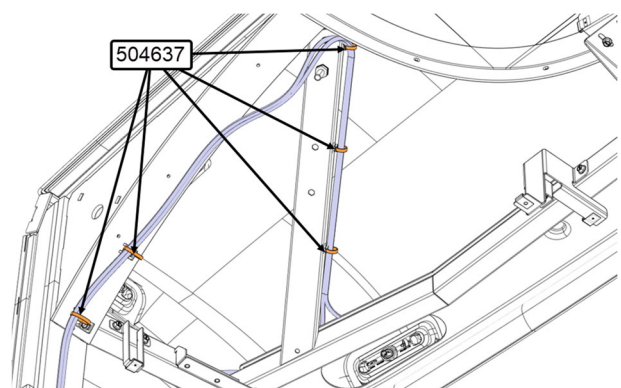
7. Secure the left camera hose and harness with fir trees mounting 509815 (7x) and the cable ties 504637 (7x).



8. Secure the harness on the left pillar section with fir trees mounting 509815 (6x) and the cable ties 504637 (6x).

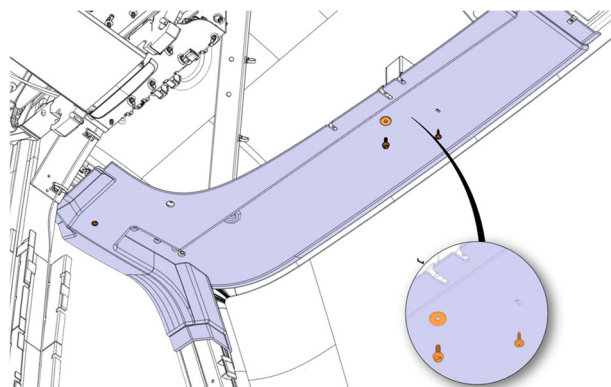


9. Secure the hoses with the cable ties 504637 (5x).

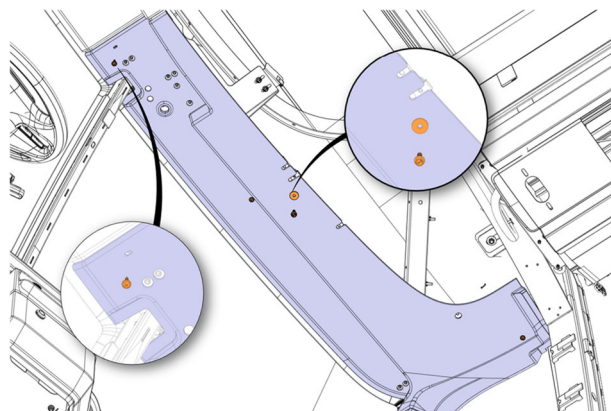


## M. REINSTALL INTERIOR FINISHING (H3-45 ONLY)

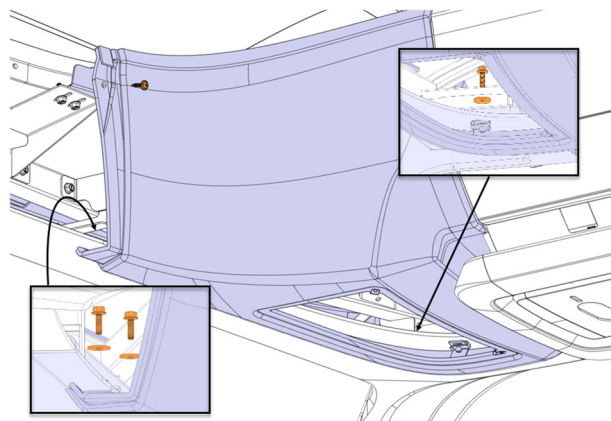
1. Reinstall the left ceiling with one (1) screw and washer.
2. Secure the ceiling with two (2) screws.



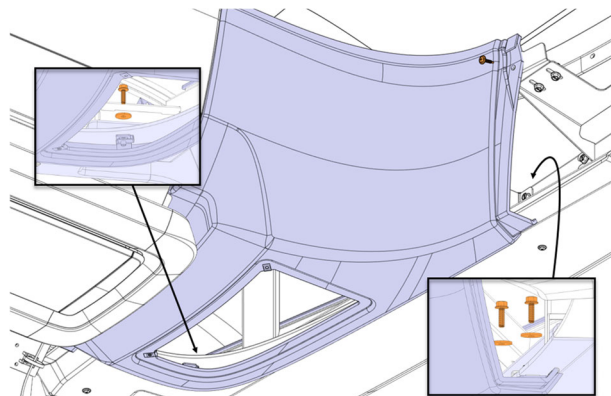
3. Reinstall the right ceiling with one (1) screw and washer.
4. Secure the ceiling with two (3) screws.



5. Reinstall the right ceiling transition with three (3) screws and washers.
6. Secure the right ceiling transition one (1) screw.

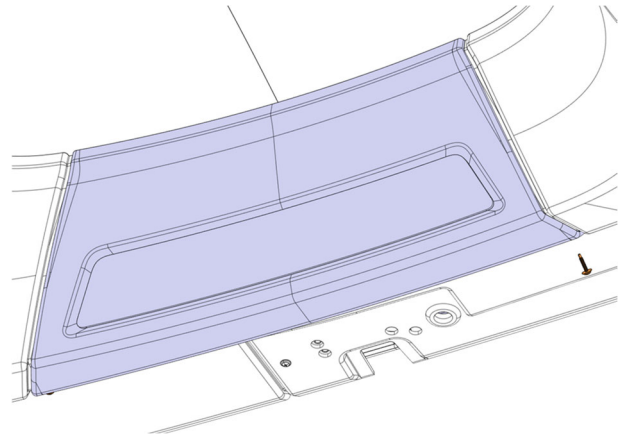


7. Reinstall the left ceiling transition with three (3) screws and washers.
8. Secure the left ceiling transition one (1) screw.

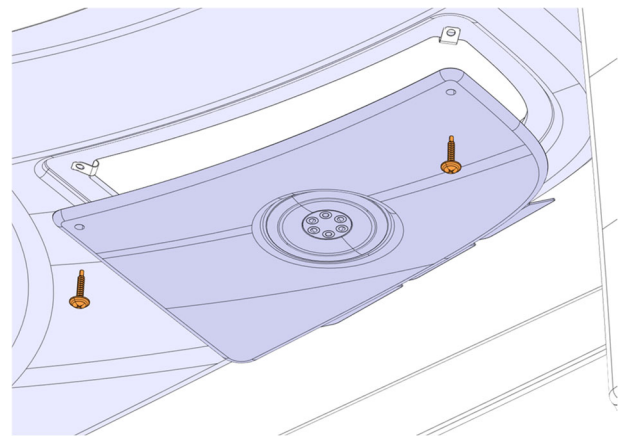




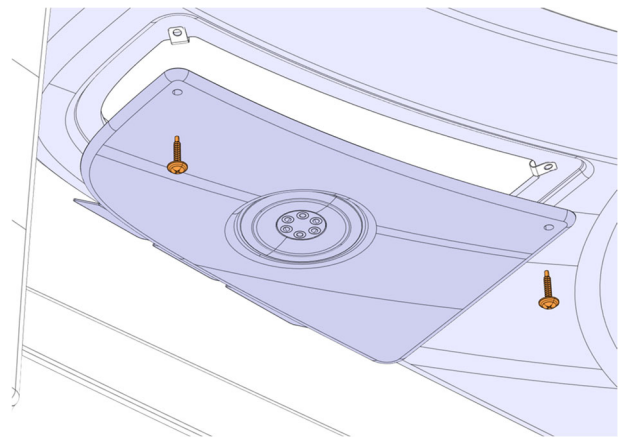
9. Reinstall central ceiling transition with two (2) screws.



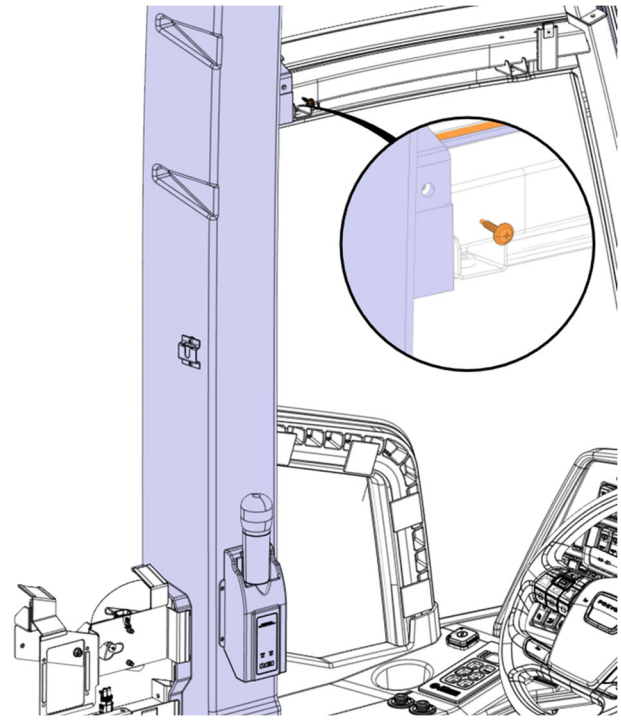
10. Reinstall the right access panel with two (2) screws.



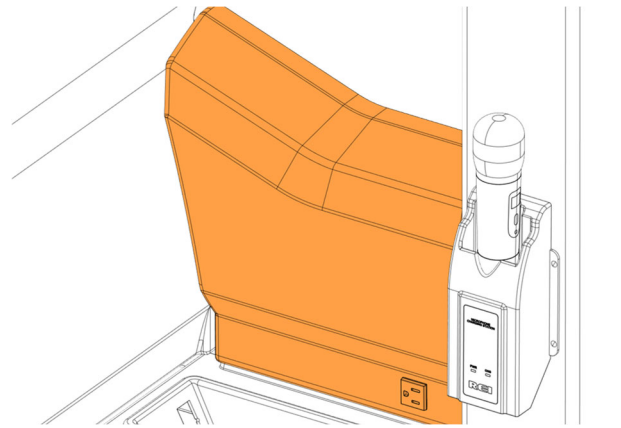
11. Reinstall the left access panel with two (2) screws.



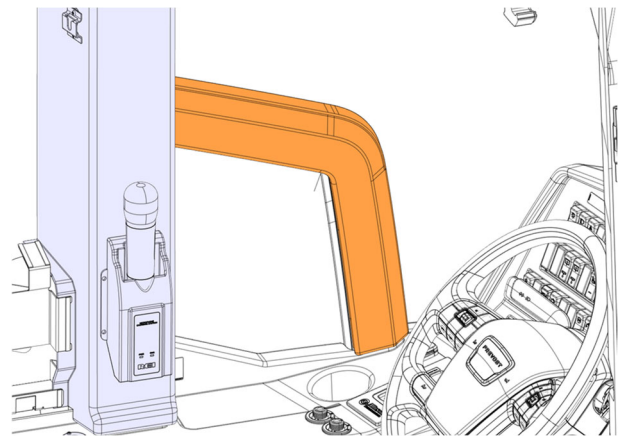
12. Reinstall the left driver's pillar cover with one (1) screw.



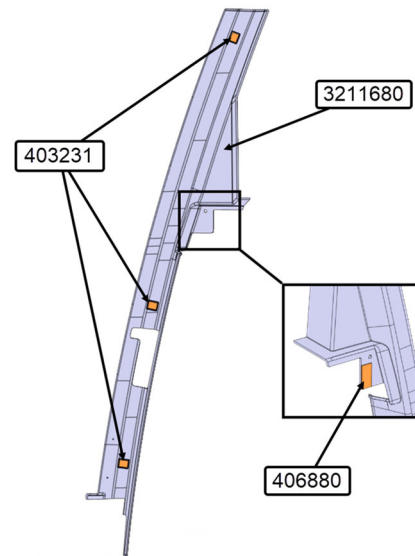
13. Reinstall the upper left console.



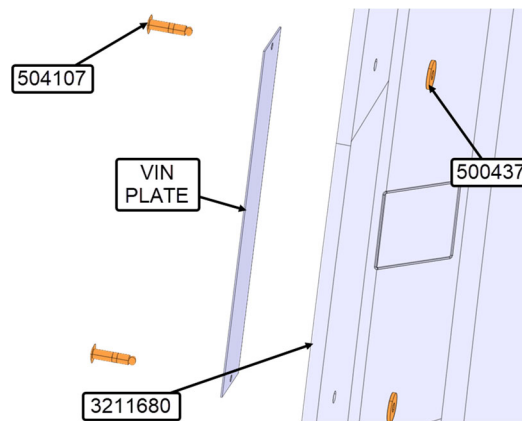
14. Reinstall the driver window cover.



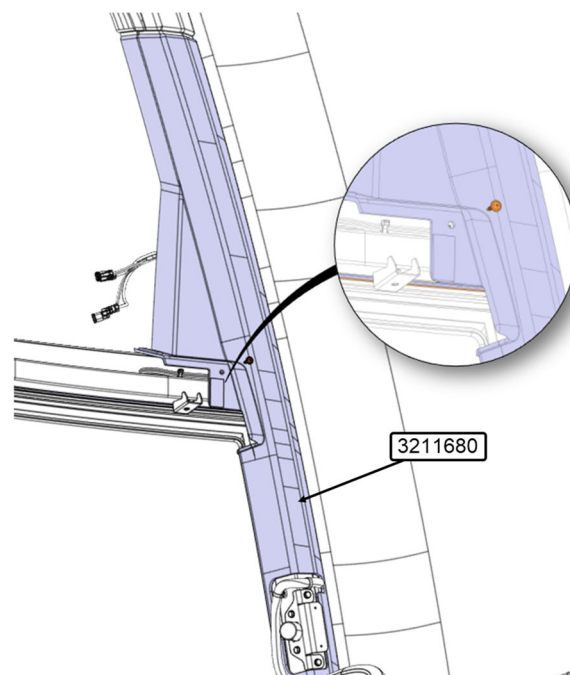
15. Install the Velcro strips 403231 (3x) and 406880 (1x) on the new left pillar cover 3211680.



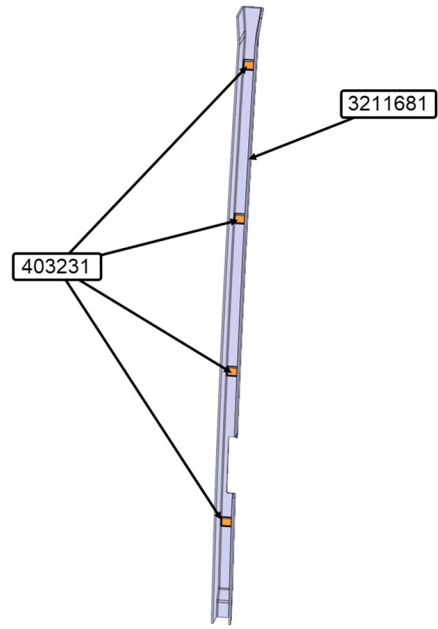
16. Reinstall the VIN plate on the new left pillar cover 3211680 with the rivets 504107 (2x) and the washers 500437 (2x).



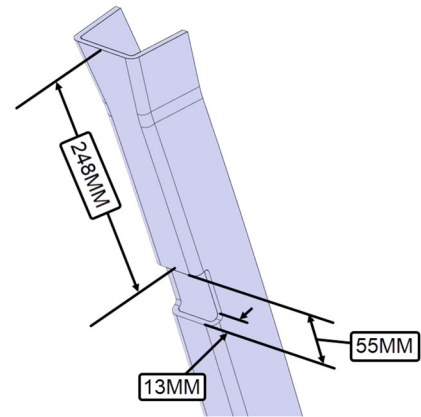
17. Install the new left pillar cover 3211680 with one (1) screw.



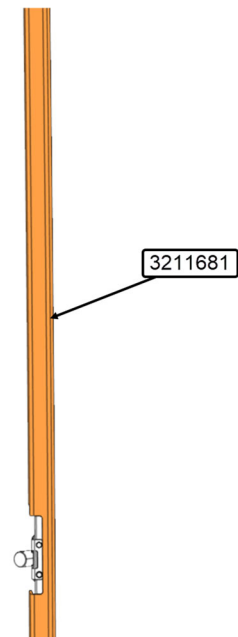
18. Install the Velcro strips 403231 (4x) on the new central pillar cover 3211681.



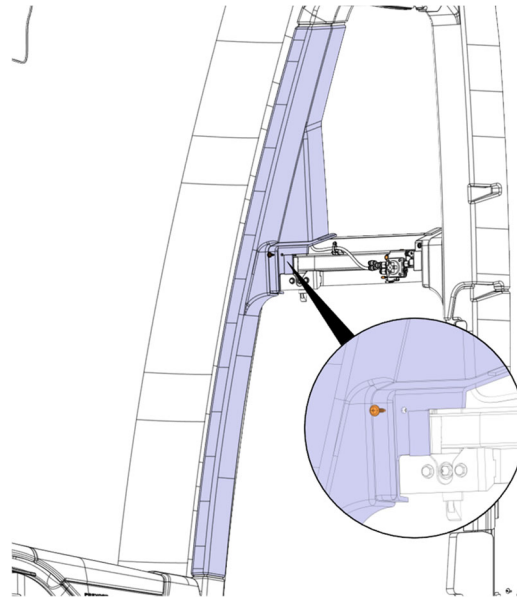
19. If you have a destination sign installation, you must do a cut-out to be able to install the destination sign bracket.



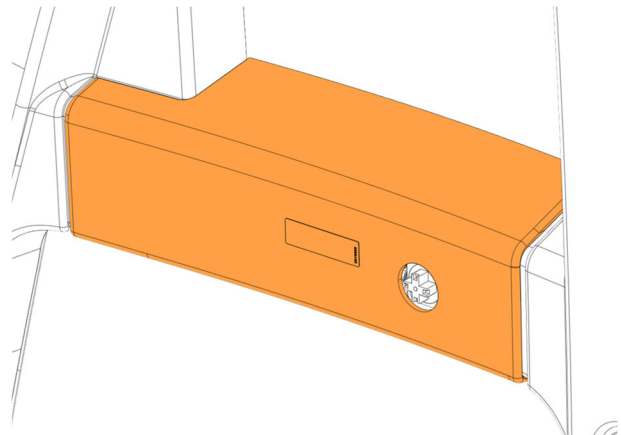
20. Install the new central pillar cover 3211681.



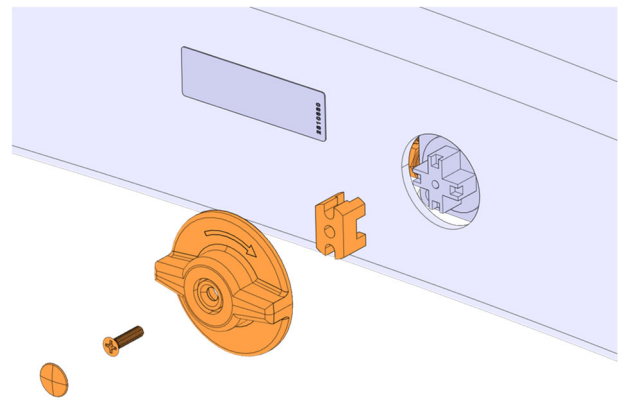
21. Reinstall the right pillar cover with one (1) screw.



22. Reinstall the entrance door upper trim.

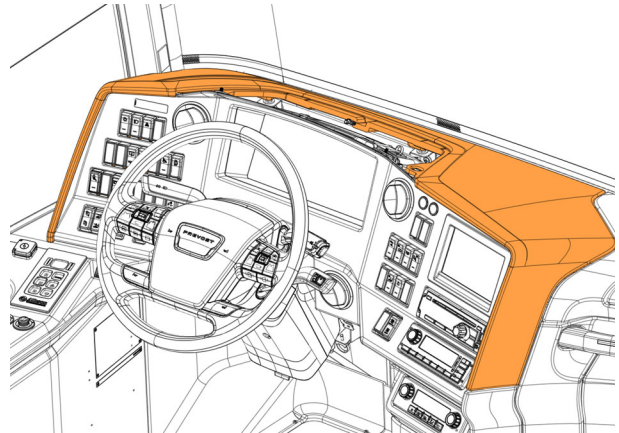


23. Reinstall emergency door valve knob.

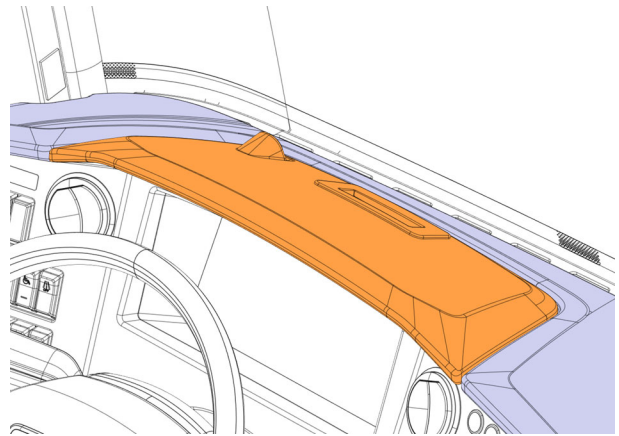


## N. REINSTALL DASH COVER

1. Reinstall central cap. How to reinstall it sees **MI23-03**.

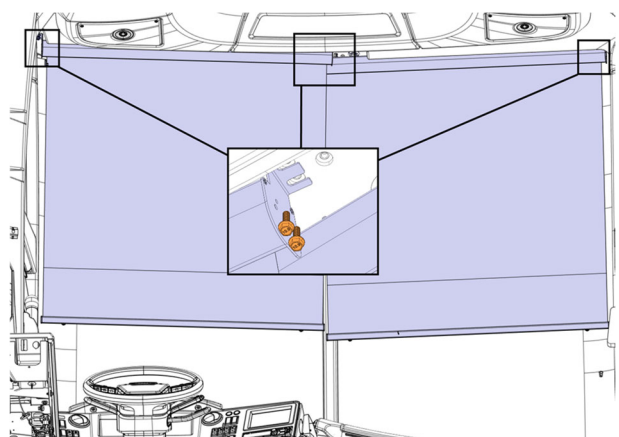


2. Reinstall the dash access panel. How to reinstall it sees **MI23-03**.

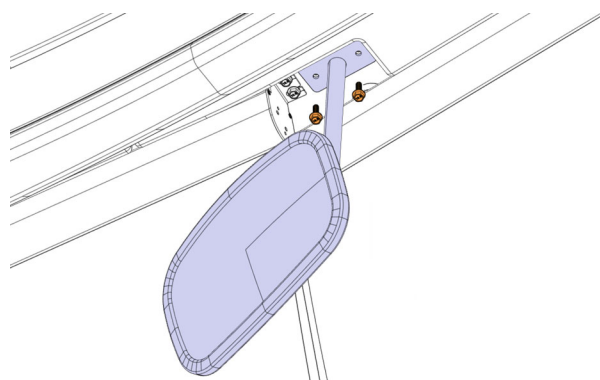


## O. REINSTALL THE MIRROR & THE SUNSHADES (H3-45 ONLY)

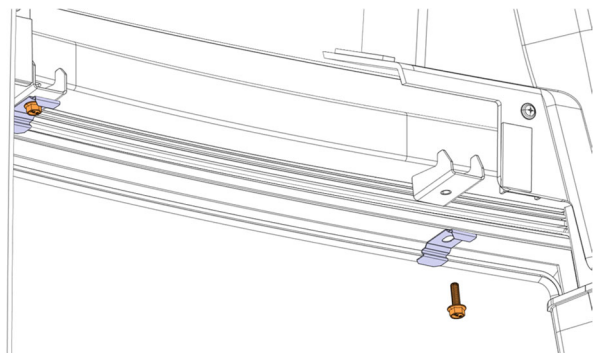
1. Reinstall front sunshades.



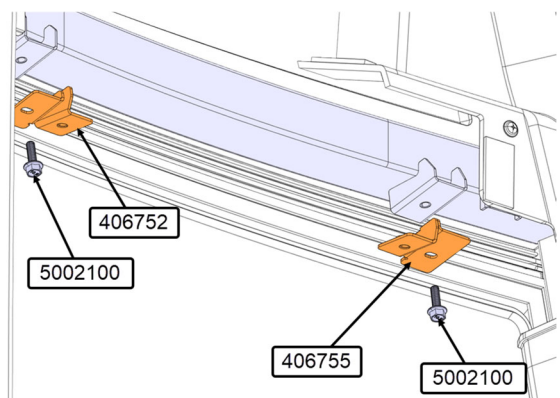
2. Reinstall interior mirrors.



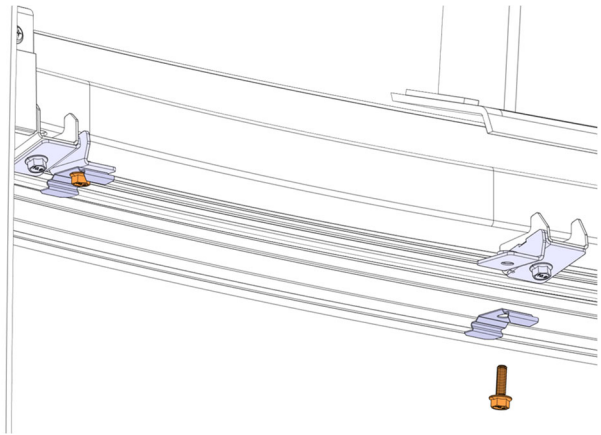
3. Remove the sunshade clips (2x) and the screws (2x).



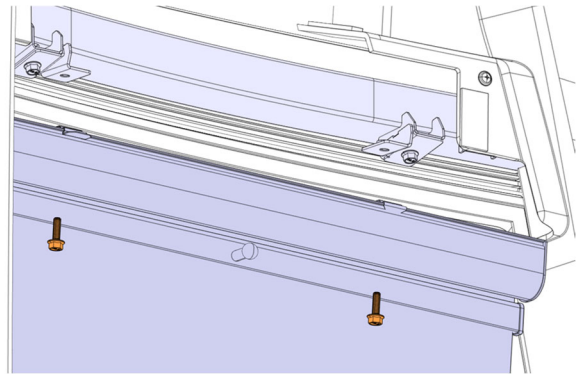
4. Install the new driver's sunshade brackets 406752 & 406755 with screw 5002100 (2x).



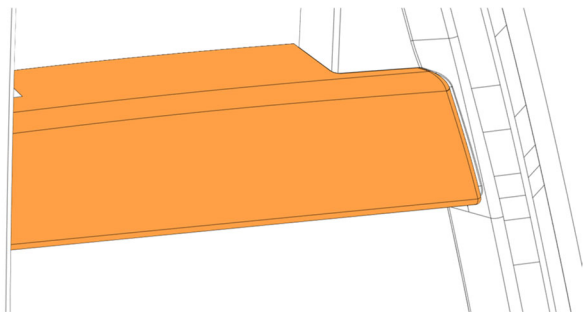
5. Reinstall the sunshade clips (2x) with the screws (2x).



6. Reinstall the driver's sunshade.



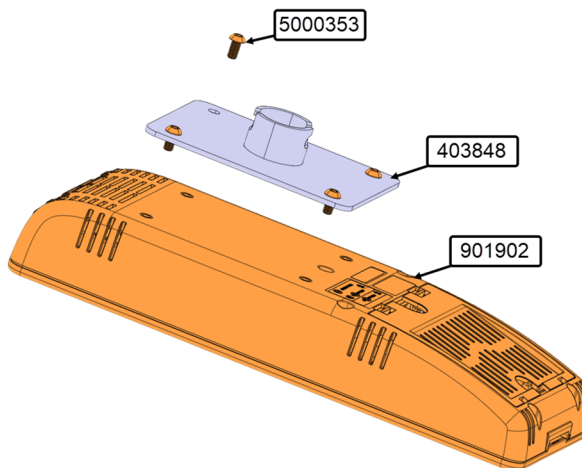
7. Reinstall the driver's window upper trim.



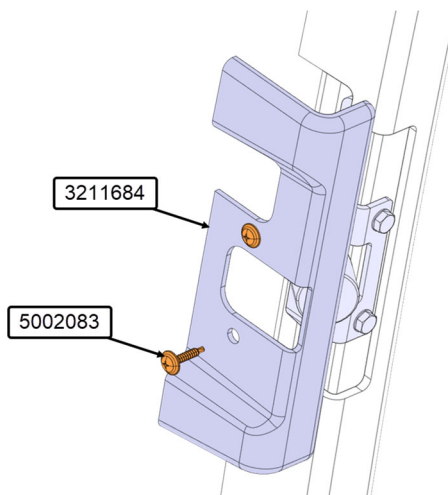


## P. INSTALL MONITORS

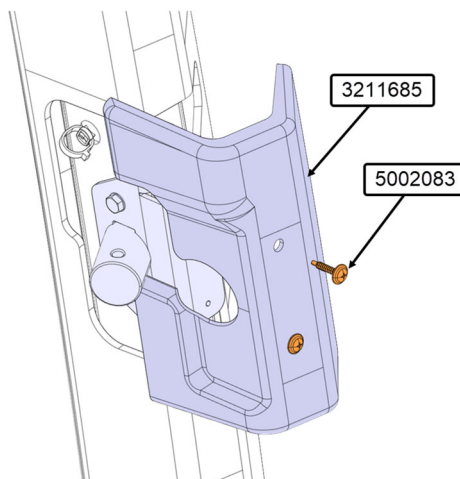
1. Install the supports 403848 (2x) on the monitors 901902 (2x) with the screws 5000353 (8x).
2. Torque to **53 lb-in.**



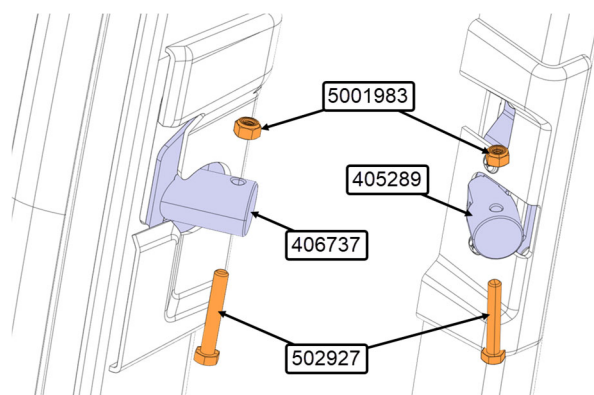
3. Install the central pillar trim 3211684 with the screws 5002083 (2x). (H3-45 ONLY)



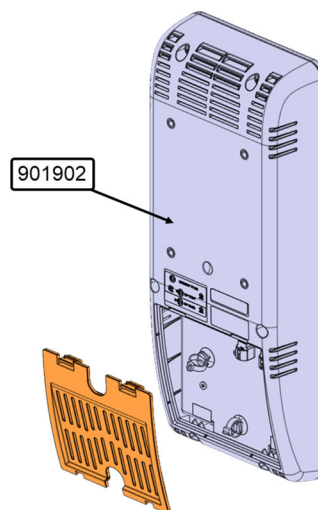
4. Install the left pillar trim 3211685 with the screws 5002083 (2x). (H3-45 ONLY)



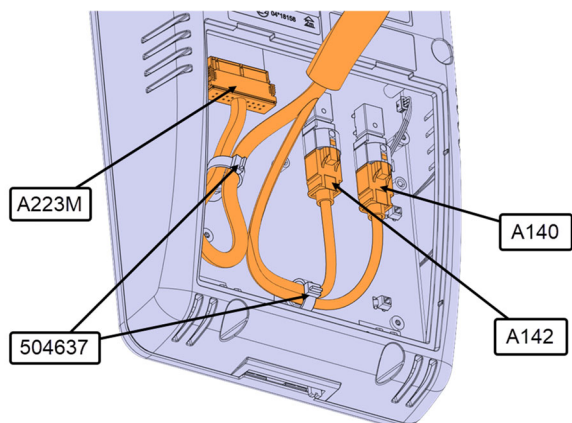
5. Install the screws 502927 (2x) and nuts 5001983 (2x) on the central fixation 405289 and on the left fixation 406737.



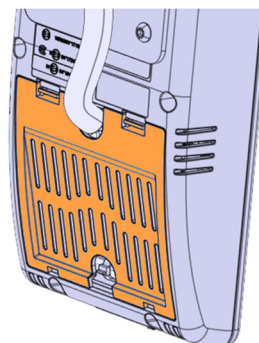
6. Remove the access panel of the monitors 901902 (2x)



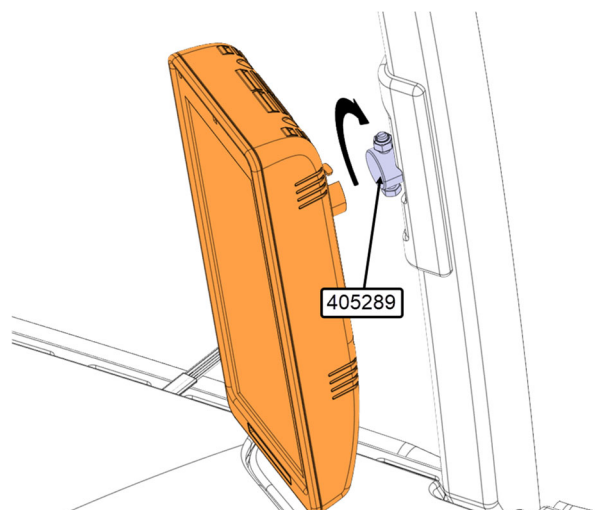
7. Plug the harness 0610486 for the central monitor 901902.
8. Secure the harness with cable ties 504637 (2x).



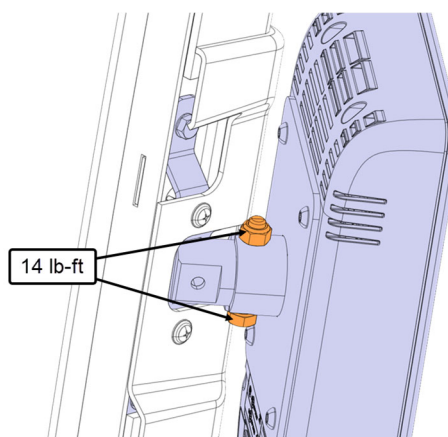
9. Reinstall the access panel of the monitor.



10. Install the monitor assembly on the central fixation 405289.

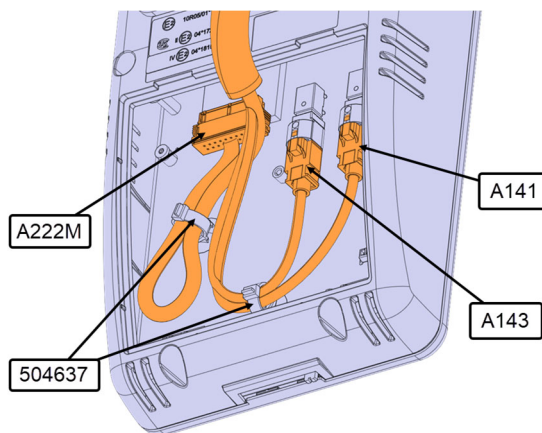


11. On the central fixation torque the screw and nut to **14 lb-ft**.

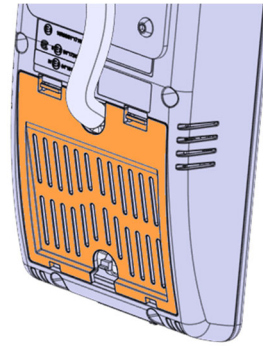


12. Plug the harness 0610486 for the left monitor 901902.

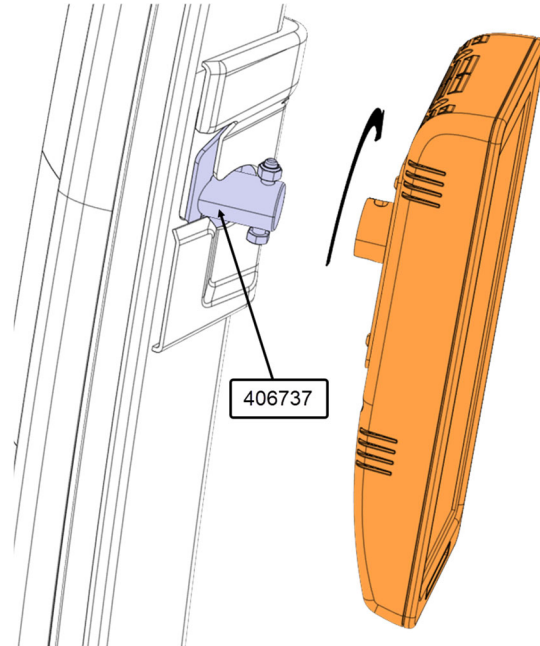
13. Secure the harness with cable ties 504637 (2x).



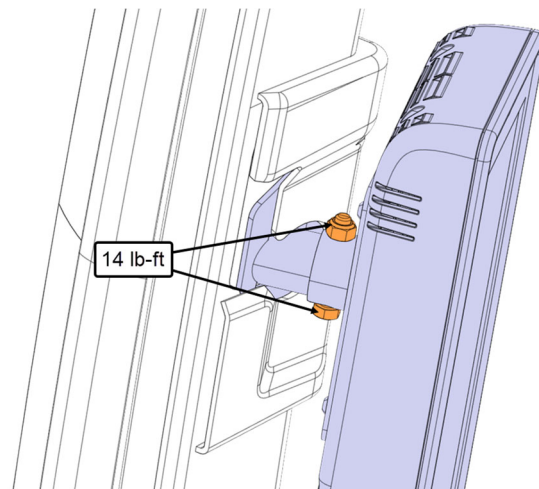
14. Reinstall the access panel of the monitor.



15. Install the monitor assembly on the left fixation 406737.

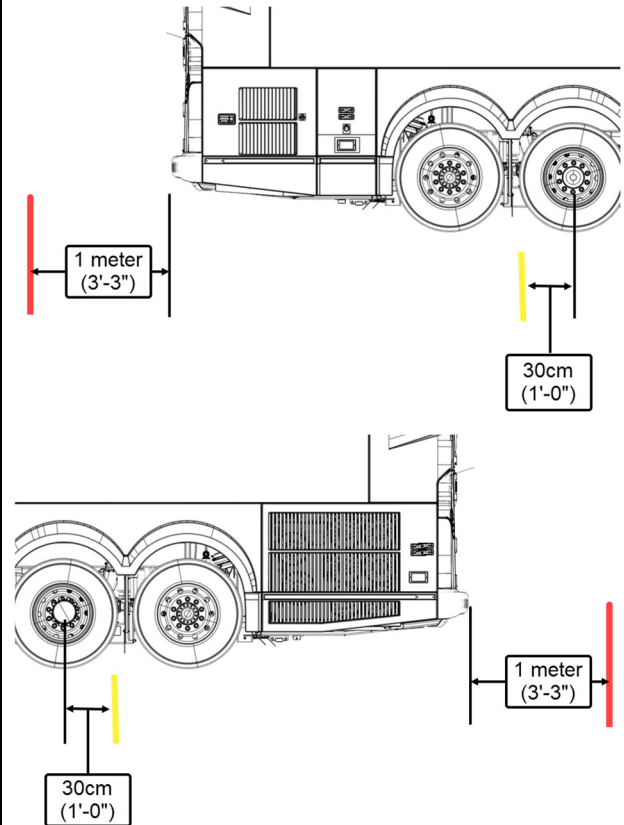


16. On the left fixation torque the screw and nut to **14 lb-ft.**



## Q. CAMERA ALIGNMENT

1. Install a reference point 30 centimeter (1 foot) behind the center of the axle on both sides of the vehicle.
2. Install a reference point 1 meter (3 feet and 3 inches) behind the end of the vehicle on both sides of the vehicle.



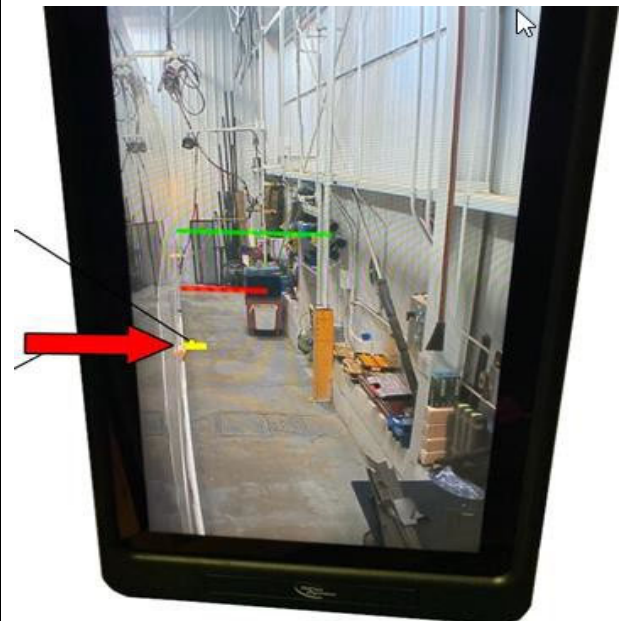
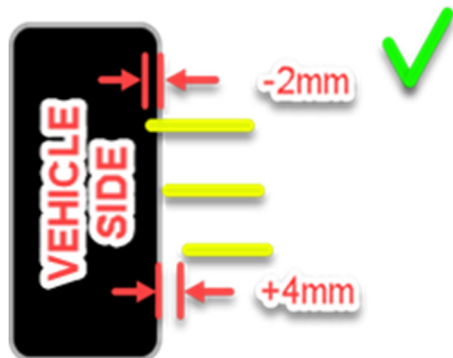
### 3. Y adjustment (width)

The beginning of the yellow line touches on the side of the vehicle.

#### Tolerances

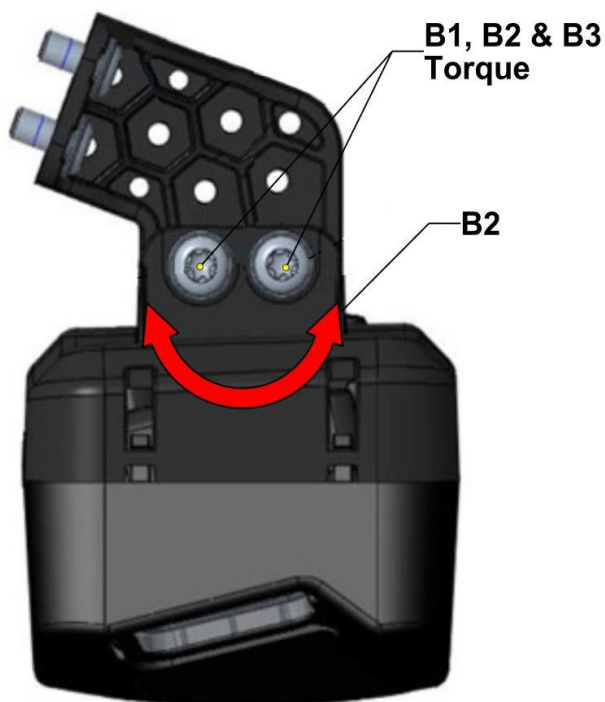
The yellow line may interfere with the side of the vehicle by 2mm and may not touch it by 4mm.

- If the measurement is not acceptable, go to the next step.
- If the measurement is OK, go to step 13.



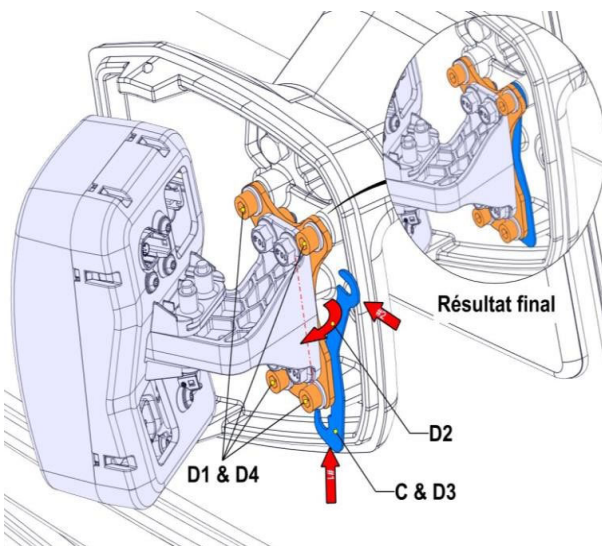
**If the measurement is not acceptable but is within 1 to 1.5 mm of tolerance, you can try this:**

4. Slightly unscrew the bolts holding the camera.
5. Rotate the camera to the side required for adjustment to take up the (minimal) play between the bolts and the plastic parts.
6. Tighten bolts, maintaining pressure on the required side.
7. Torque bolts to 88 lb-in.
8. Revalidate the measurement at point 3.
  - If the measurement is not acceptable, go to the next step.
  - If the measurement is OK, go to step 13.



**If the measurement is not acceptable but is more than 1.5 mm out of tolerance:**

9. Unscrew the bolts holding the plate in place.
10. Rotate the assembled camera to the side required for adjustment (picture shows front).
11. Insert the spacer 492178 by sliding in the bottom first, then rotating the top to complete insertion.
12. Revalidate the measurement at point 3.
  - If the measurement is not acceptable, adding a spacer and revalidate.
  - If the measurement is OK, go to step 13.



### 13. X adjustment (length)

Confirm that the yellow line in the display is aligned with the reference point.

LEFT SIDE



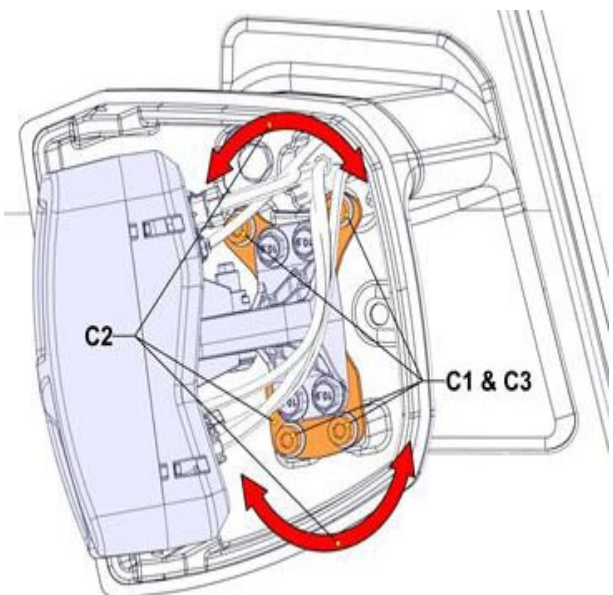
RIGHT SIDE



#### If the lines are not aligned.

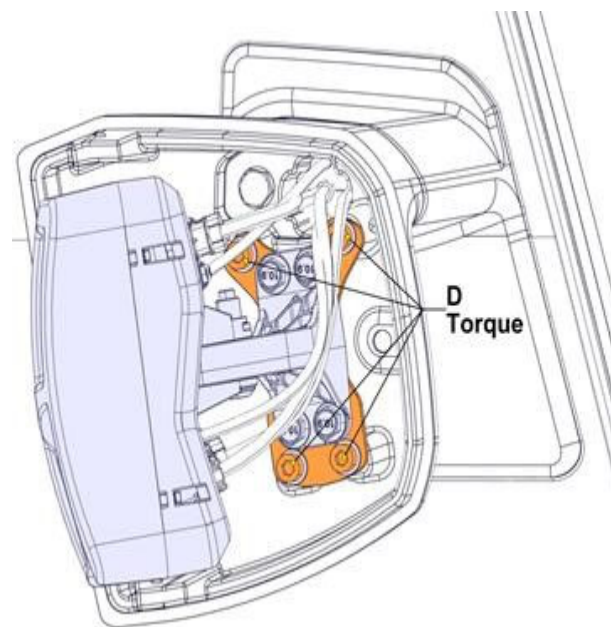
14. Unscrew the four bolts.
15. Adjust the camera adjustment plate to the side required to align the lines on the screen.
16. Once the lines are aligned, tighten the bolts so that the adjustment plate cannot move.
17. Reconfirm that the lines are facing each other.

**Note:** If they are not facing each other, repeat the adjustment.



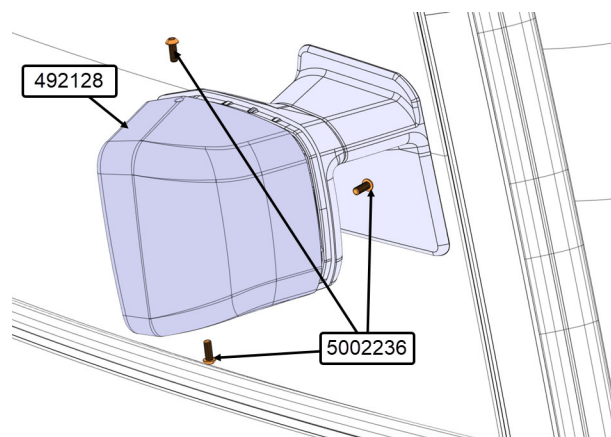
If the lines are aligned.

18. Torque the four bolts to 68 lb-in.



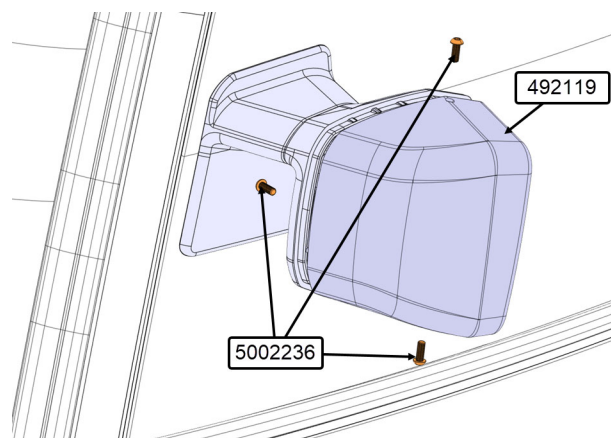
19. Install the right cover 492128 with the screws 5002236 (3x).

**Note: Do not over tighten the screws to avoid cover breaking.**



20. Install the left cover 492119 with the screws 5002236 (3x).

**Note: Do not over tighten the screws to avoid the cover breaking.**





## R. PARAMETER PROGRAMMING WITH VPG SOFTWARE TOOL

- In VPG, set parameter.
- EMIRROR set to **Yes**

The screenshot shows the 'Vehicle Parameters' window in the VPG software. The window has tabs for 'General', 'Vehicle Parameters', 'Program Generation', and 'Transfer to the Vehicle'. Below the tabs, there are dropdown menus for 'Compare parameter values between' (set to 'Previous Value') and 'and' (set to 'Current Value'), along with '<< Back' and 'Next >>' buttons. The main area contains a table with the following columns: Para, Description, S, Default Value, Previous Value, Current Value, and New Value. The 'EMIRROR' row is highlighted with a red box around the 'New Value' cell, which contains 'Yes'.

Para	Description	S	Default Value	Previous Value	Current Value	New Value
ALTUN			No		Yes	Yes
ALTTYP	Alternator type		Bosch		DelcoRemy	DelcoRemy
BKRLSW	Park Brake Release Switch		No		No	No
BRKTYP	Engine Brk or Retarder		Jacob		Jacob	Jacob
CAMOPT			0		2	2
CCCANC	CC Cancel with Wiper		No		No	No
CDNSPL			No		Yes	Yes
CORDO	RH Cornering ON when door open (		No		No	No
CORNLP	Cornering Lamp		No		No	No
CRKDIS	Crank Disable		No		No	No
CURBFL	Curbs Lights ON With RH Flasher		No		No	No
DECELL	Deceleration Feature on Engine Bra		Yes		Yes	Yes
DOCFLS	Rear docking with flasher		No		No	No
DOHAZA	Hazard ON With Entrance Door Ope		No		No	No
EDPOSI	Entrance door open pulse count (30-		34		34	34
EMIRROR			No		No	Yes
FIREXT	Automatic Fire Extinguisher Option		Yes		No	No
FOGVIP	Fog Lamp Option		0 fog		4 fog	4 fog

User: Jean-Philippe Viens (customer support manage) Profile: Service Network: On-Line MID : Disconnected Last Update: 2024/02/21 12:31:42

## PARTS / WASTE DISPOSAL

Discard waste according to applicable environmental regulations (Municipal/State[Prov.]/ Federal)