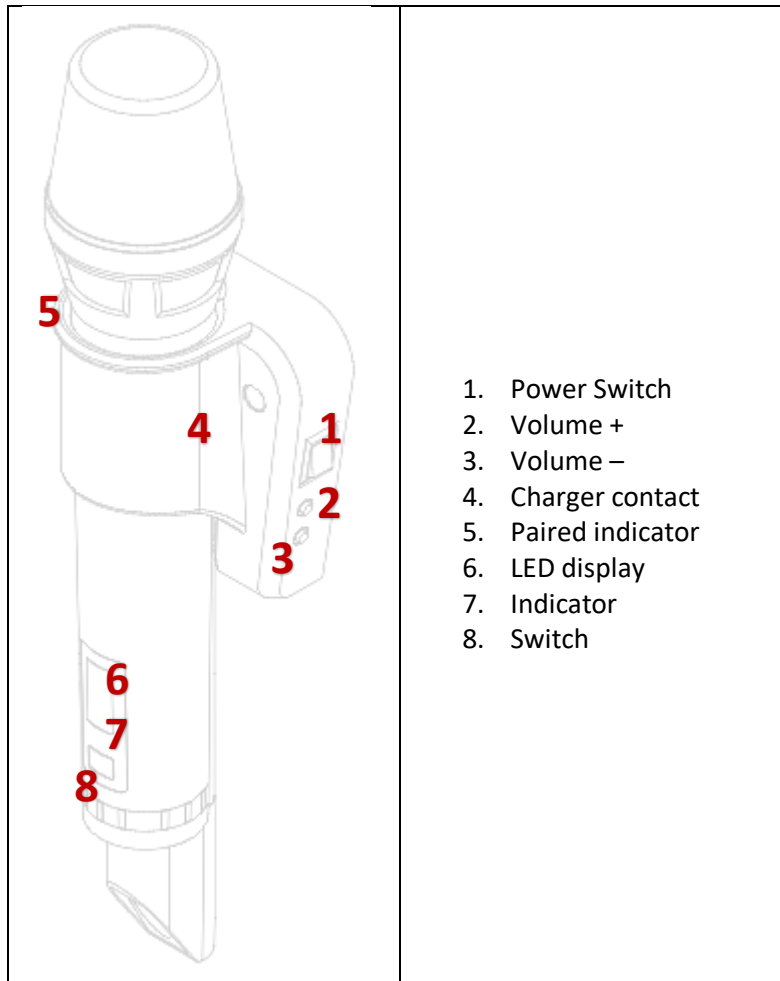




# ***MICROPHONE***

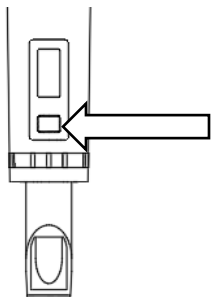
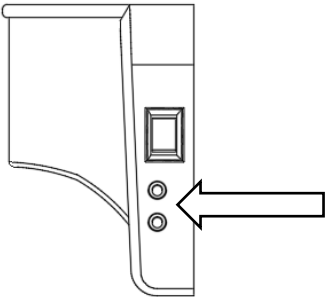
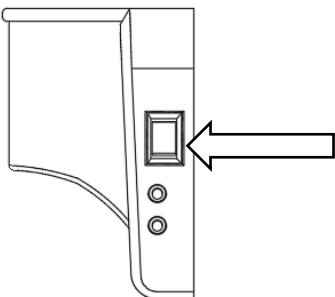
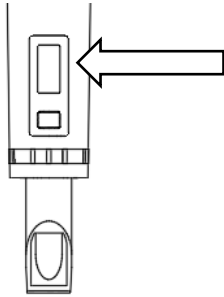
***2.4G WIRELESS / USER'S MANUAL***

## BASIC METHOD OF USER



## Pairing for microphone and receiver

The receiver and microphone are closed and are within 1 meters

   	<ol style="list-style-type: none"> <li>1. Long press switch (8) turn on the microphone</li>   <li>2. Press receiver volume + (2) or volume – (3)</li>   <li>3. Turn on the power (1) of receiver and wait 2~3 seconds</li>   <li>4. Hear the sound “didi”, Pairing success (6), Frecuency Ch ... 1-9, Power BAT____, backlight 3 seconds auto shut down. Touch switch and shiny Indicator; when charging blinking and when full is light. Switch long press on or off</li> </ol>
---	--